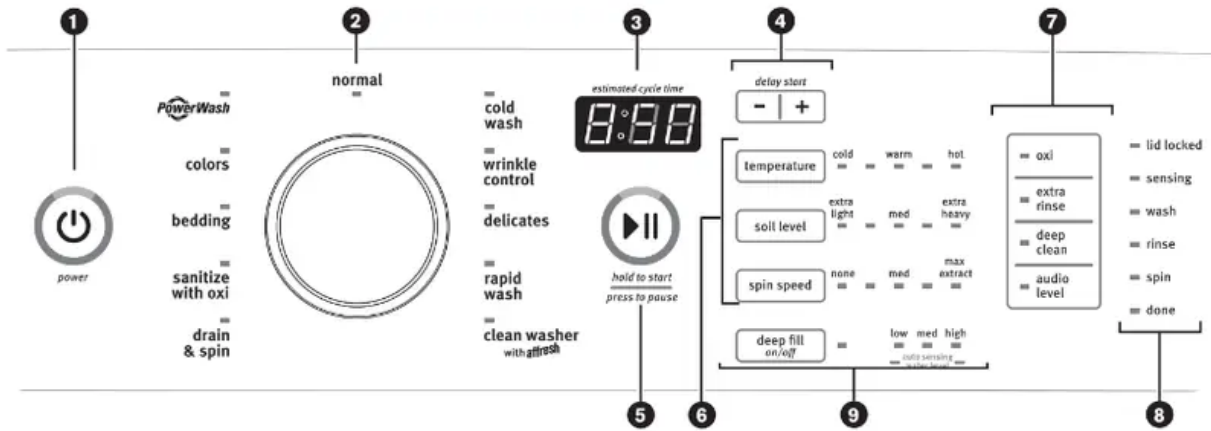


CONTROL PANEL AND FEATURES



NOTE: The control panel features a sensitive surface that responds to a light touch of your finger. To ensure your selections are registered, touch the control panel with your fingertip, not your fingernail. When selecting a setting or option, simply touch its name until the desired section is illuminated.

1. POWER

Touch to turn the washer on and off. Touch to stop/cancel a cycle at any time.

2. WASH CYCLE KNOB

Use the wash cycle knob to select available cycles on your washer. Turn the knob to select a cycle for your laundry load. See the “Cycle Guide” chart for detailed descriptions.

3. ESTIMATED CYCLE TIME

The Estimated Cycle Time display shows the time required for the cycle to complete. Factors such as load size and water pressure may affect the time shown in the display. Overloading, unbalanced loads, or excessive suds may cause the washer to adjust the cycle time as well.

4. DELAY START

Use “+” and “-” to delay the start of the wash cycle by up to 12 hours. To turn off Delay Start, use “+” and “-” to set the delay time to “0,” or touch POWER.

5. START/PAUSE BUTTON

Touch and hold the START/PAUSE button for up to 3 seconds or until the washer starts to begin the selected cycle. To pause a cycle after it has started, press the START/PAUSE button again.

NOTE: If the washer is spinning, it may take several minutes to unlock the lid.

6. CYCLE MODIFIERS

The following options may be added to most cycles.

TEMPERATURE

The wash Temperature senses and maintains uniform water temperatures by regulating incoming hot and cold water. Select a wash temperature based on the type of fabric and soils being washed. For the best results and following the garment label instructions, use the warmest wash water safe for your fabric.

- On some models and cycles, warm and hot water may be cooler than your previous washer.

- Even in a cold and cool water wash, some warm water may be added to the washer to maintain a minimum temperature. **SOIL LEVEL**

Select the most suitable setting for your load. For heavily soiled items, select Extra Heavy Soil Level for more wash time. For lightly soiled items, select Extra Light Soil Level for less wash time. A lighter soil level setting will help reduce tangling and wrinkling.

SPIN SPEED

Select the most suitable setting for your load.

7. CYCLE OPTIONS

The following options may be added to most cycles.

OXI

This washer is designed to dispense laundry boosters such as oxygenated stain treaters and color-safe bleach at the right time in the cycle for the best cleaning performance. Do not use laundry boosters and chlorine bleach in the same cycle.

EXTRA RINSE

This option can be used to automatically add a second rinse to most cycles.

NOTE: If you want to Rinse and Spin, select the Drain & Spin the cycle; then touch to turn on the Extra Rinse option.

DEEP CLEAN

This option provides enhanced cleaning action for tough stains. It will add additional agitation and soak time to the cycle.

AUDIO LEVEL

Use this option to adjust the volume of the signal that sounds at the end of the cycle and keypad sounds. Touch once for low, a second time for off, and a third time to loop back to high. A higher signal helps remove items as soon as a cycle is complete. The default setting is high.

8. CYCLE STATUS LIGHTS

The cycle status lights show the progress of a cycle. At each stage of the process, you may notice sounds or pauses that are different from traditional washers.

LID LOCKED

To allow for proper load sensing and spinning, the lid will lock and the Lid Locked light will turn on. This light indicates that the lid is locked and cannot be opened. If you need

to open the lid, touch Start/Pause. The lid will unlock once the washer movement has stopped. This may take several minutes if the load was spinning at a high speed. Touch and hold the Start/Pause button again for up to 3 seconds to restart the cycle. Avoid opening the lid during sensing. The sensing process will start over when the washer is restarted.

SENSING

When the Start/Pause button is touched, the washer will first perform a self-test on the lid lock mechanism. You will hear a click, the basket will make a slight turn, and the lid will unlock briefly before locking again. Once the lid has locked the second time, the washer will use short, slow spins to estimate the load size. These sensing spins may take 2 to 3 minutes before water is added to the load and you may hear the hum of these spins. If the sensing light is on, then the washer is working properly. You will hear the motor turn the basket in short pulses to thoroughly wet the load. The washer will then move the load briefly, pause to allow water to soak into the load, and resume adding water. This process may repeat until the correct amount of water has been added to the load. You may also hear water flowing through the dispenser, adding detergent to the load.

NOTE: Avoid opening the lid during sensing. The sensing process will start over when the washer is restarted. The sensing light may also come on during the Wash portion of the cycle. This is normal.

WASH

You will hear the motor and agitator moving the load. Unlike traditional washers, the load is not covered with water. Rather than diluting detergent as done in an agitator-style washer, this washer delivers the detergent directly to the soil. The motor sounds may change at different stages in the cycle. The wash time is determined by the selected Soil Level. **RINSE**

You will hear sounds similar to the wash cycle as the washer rinses and moves the load.

SPIN

The washer spins the load at increasing speeds for proper water removal based on the selected cycle and spin speed.

DONE

Once the cycle is complete, this light will come on. Remove the load promptly for best results.

9. DEEP FILL AND AUTO-SENSING WATER LEVEL STATUS LIGHTS

DEEP FILL

The Deep Fill mode is off by default but can be turned on for any cycle except Sanitize with Oxi, Drain & Spin, and Clean Washer with affresh®. When selecting Deep Fill, the Deep Fill light will turn on and the Auto Sensing Water Level status lights will turn off. In Deep Fill mode, the washer will fill to a pre-determined water level independent of load size, allowing for greater flexibility in how you wash your clothes.

NOTE: Deep Fill is not available in the Normal cycle mode. Selecting the Normal cycle

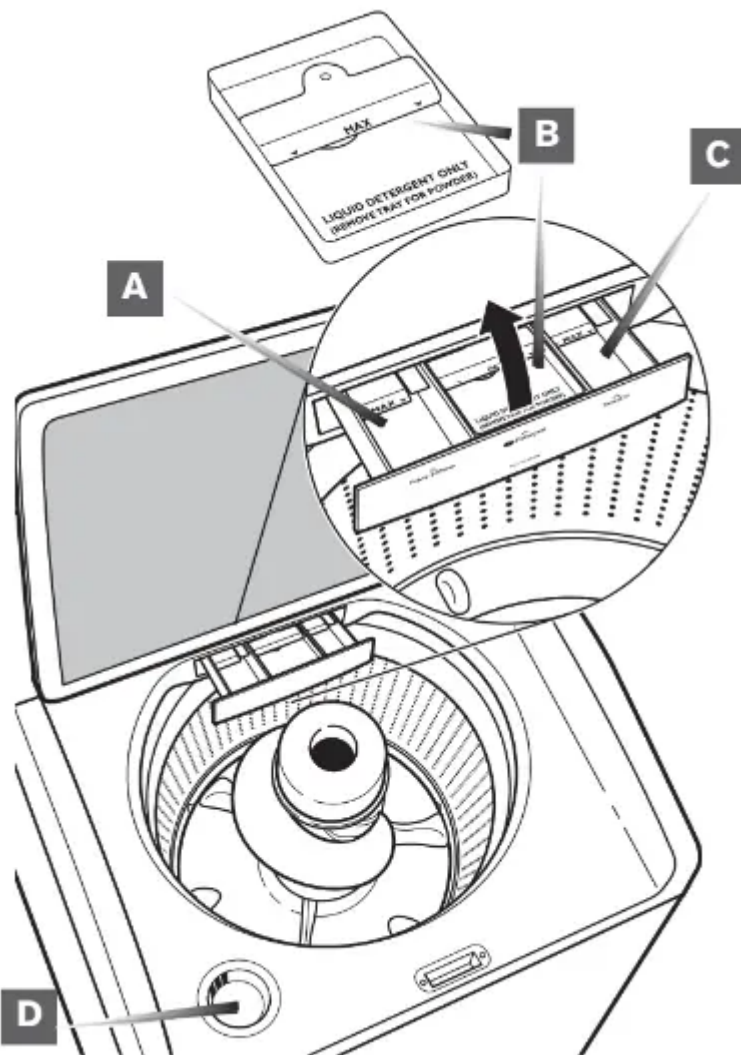
with the Deep Fill setting will result in auto-sensing of the water level.

AUTO-SENSING WATER LEVEL STATUS LIGHTS

When the machine is operating in a low water wash mode (Deep Fill is off), these status lights provide feedback on the load size that has been detected. When powering up the unit in a low water wash mode, all three lights will be lit. The lights will remain lit until the Sensing portion of the cycle is complete. The machine will now illuminate the light reflecting the detected load size.

NOTE: These lights only function when Deep Fill mode is off.

Dispensers



A. Liquid fabric softener dispenser

Pour measured liquid fabric softener into the liquid fabric softener dispenser if desired. It will dispense automatically at the optimum time.

- Use only liquid fabric softener in this dispenser.

B. High Efficiency “HE” detergent dispenser

Add liquid or powdered HE detergent product to this dispenser for your main wash cycle. Remove the tray if using powder detergent.

IMPORTANT: Make sure the tray is in the drawer when using liquid detergent and removed when using powder detergent and do not go over the Max line.

NOTE: Follow the manufacturer’s instructions to determine the amount of detergent to use. Do not add single-dose laundry packets, color-safe bleach, or fabric softener crystals to dispensers. They will not dispense correctly.

C. Oxi dispenser

This dispenser holds up to 3/4 cup (180 mL) of Oxi booster or other laundry boosters, such as powdered or liquid color-safe bleach. Laundry boosters are automatically dispensed at the proper time during the wash cycle. Be sure to select Oxi from the options to ensure proper dispensing.

NOTE: Fill the dispenser with only Oxi. Do not mix with bleach.

D. Liquid chlorine bleach dispenser

This dispenser holds up to 3/4 cup (180 mL) of liquid chlorine bleach. The bleach will be automatically diluted and dispensed at the optimum time during the wash cycle. This dispenser cannot dilute powdered bleach.

NOTE: Fill the dispenser with only liquid bleach.

CYCLE GUIDE

The settings shown are the default settings for that cycle. Once you select a cycle, the default modifiers or the previous set of modifiers for that cycle will be lit. For the best fabric care, choose the cycle that best fits the load being washed. Not all cycles and options are available on all models.

Items to wash:	Cycle:	Temperature*:	Soil Level:	Spin Speed:	Cycle Details:
Overly soiled garments, items that need additional cleaning effort	PowerWash®	cold <input type="checkbox"/> warm <input type="checkbox"/> hot <input checked="" type="checkbox"/>	extra light <input type="checkbox"/> med <input type="checkbox"/> extra heavy <input checked="" type="checkbox"/>	none <input type="checkbox"/> med <input type="checkbox"/> max extract <input checked="" type="checkbox"/>	Use this cycle for heavily soiled or sturdy items. The water-level sensing process may take longer for some items than for others because they will absorb more water than other fabric types.
Bright and darkly colored cottons and mixed loads	Colors	cold <input type="checkbox"/> warm <input checked="" type="checkbox"/> hot <input type="checkbox"/>	extra light <input type="checkbox"/> med <input type="checkbox"/> extra heavy <input checked="" type="checkbox"/>	none <input type="checkbox"/> med <input type="checkbox"/> max extract <input checked="" type="checkbox"/>	Use this cycle to wash darks and colors, including mixed loads and activewear.
Large items such as sheets, sleeping bags, small comforters, jackets, small washable rugs	Bedding	cold <input type="checkbox"/> warm <input checked="" type="checkbox"/> hot <input type="checkbox"/>	extra light <input type="checkbox"/> med <input checked="" type="checkbox"/> extra heavy <input type="checkbox"/>	none <input type="checkbox"/> med <input checked="" type="checkbox"/> max extract <input type="checkbox"/>	Use this cycle to wash large items such as jackets and small comforters. The washer will fill with enough water to wet down the load before the wash portion of the cycle begins and uses a higher water level than other cycles.



Heavily soiled, colorfast fabrics	Sanitize with Oxi	cold <input type="checkbox"/> warm <input type="checkbox"/> hot <input checked="" type="checkbox"/>	extra light <input type="checkbox"/> med <input type="checkbox"/> extra heavy <input checked="" type="checkbox"/>	none <input type="checkbox"/> med <input type="checkbox"/> max extract <input checked="" type="checkbox"/>	Use this cycle to eliminate 99.9% of bacteria when used in conjunction with the Oxi option. Preset cycle settings must be used to achieve the proper sanitization. Be sure to add an Oxi product to the Oxi dispenser.
Swimsuits and items requiring rinsing without detergent	Drain & Spin/ Extra Rinse and spin	N/A	N/A	none <input type="checkbox"/> med <input checked="" type="checkbox"/> max extract <input type="checkbox"/>	Combines high speed spin with the option of a rinse-only cycle for loads requiring an additional spin-out to reduce drying times, or an additional rinse cycle to refresh a load or complete a cycle after power interruption. If you wish to run only the Drain & Spin cycle, select the Drain & Spin cycle. If you wish to run an Extra Rinse and spin, select both the Drain & Spin cycle and the Extra Rinse option.
Cottons, linens, and mixed garment loads	Normal	cold <input type="checkbox"/> warm <input checked="" type="checkbox"/> hot <input type="checkbox"/>	extra light <input type="checkbox"/> med <input checked="" type="checkbox"/> extra heavy <input type="checkbox"/>	none <input type="checkbox"/> med <input type="checkbox"/> max extract <input checked="" type="checkbox"/>	Use this cycle for normally soiled cottons and mixed fabric loads. NOTE: Deep Fill is not available in the Normal cycle mode. Selecting the Normal cycle with the Deep Fill setting will result in auto sensing of the water level.
Cold- only garments, bright or darkly colored cottons, linens, casual and mixed loads	Cold Wash	cold <input checked="" type="checkbox"/> warm <input type="checkbox"/> hot <input type="checkbox"/>	extra light <input type="checkbox"/> med <input type="checkbox"/> extra heavy <input checked="" type="checkbox"/>	none <input type="checkbox"/> med <input type="checkbox"/> max extract <input checked="" type="checkbox"/>	Cold water with an additional wash action gently lifts stains while caring for fabrics. Settings may be adjusted as desired, but must use only cold water settings.
No-iron fabrics, cottons, perm press, linens, synthetics	Wrinkle Control	cold <input checked="" type="checkbox"/> warm <input type="checkbox"/> hot <input type="checkbox"/>	extra light <input type="checkbox"/> med <input checked="" type="checkbox"/> extra heavy <input type="checkbox"/>	none <input type="checkbox"/> med <input checked="" type="checkbox"/> max extract <input type="checkbox"/>	Use this cycle to wash loads of no-iron fabrics such as sport shirts, blouses, casual business clothes, permanent press, and blends.
Machine-wash silks, handwash fabrics	Delicates	cold <input type="checkbox"/> warm <input checked="" type="checkbox"/> hot <input type="checkbox"/>	extra light <input checked="" type="checkbox"/> med <input type="checkbox"/> extra heavy <input type="checkbox"/>	none <input type="checkbox"/> med <input checked="" type="checkbox"/> max extract <input type="checkbox"/>	Use this cycle to wash lightly soiled items indicating "Machine Washable Silks" or "Gentle" cycle on the care label. Place small items in mesh garment bags before washing. This cycle uses a higher, preset water level.
Lightly soiled, small-sized mixed-garment loads.	Rapid Wash	cold <input type="checkbox"/> warm <input type="checkbox"/> hot <input checked="" type="checkbox"/>	extra light <input checked="" type="checkbox"/> med <input type="checkbox"/> extra heavy <input type="checkbox"/>	none <input type="checkbox"/> med <input type="checkbox"/> max extract <input checked="" type="checkbox"/>	Use this cycle to quickly wash lightly soiled garments and small loads. The Rapid Wash cycle uses shorter periods of more intense washing to clean items quickly.
No clothes in washer	Clean Washer with affresh®	N/A	N/A	N/A	Use this cycle every 30 washes to keep the inside of your washer fresh and clean. This cycle uses a higher water level. Use with affresh® Washer Cleaner tablet or liquid chlorine bleach to thoroughly clean the inside of your washer. This cycle should not be interrupted. See "Washer Care" section. IMPORTANT: Do not place garments or other items in the washer during the Clean Washer with affresh® cycle. Use this cycle with an empty wash tub.

*All rinses are cold.

USING YOUR WASHER

WARNING



Fire Hazard

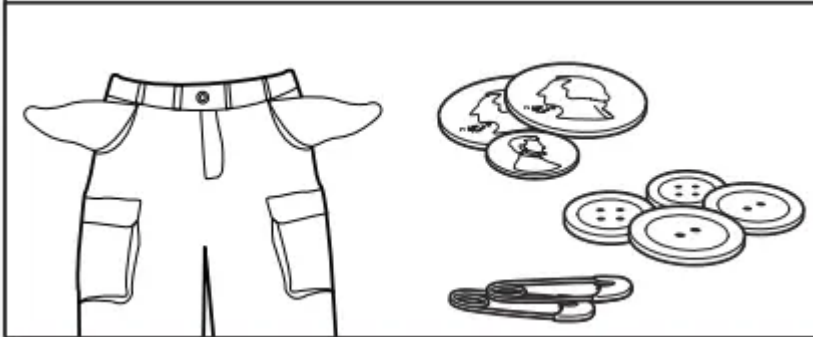
Never place items in the washer that are dampened with gasoline or other flammable fluids.

No washer can completely remove oil.

Do not dry anything that has ever had any type of oil on it (including cooking oils).

Doing so can result in death, explosion, or fire.

1. Sort and prepare your laundry



- Empty pockets. Loose change, buttons, or any small object can pass under the agitator and become trapped, causing unexpected sounds.
- Sort items by recommended cycle, water temperature, and colorfastness.
- Separate heavily soiled items from lightly soiled.
- Separate delicate items from sturdy fabrics.
- Do not dry items if stains remain after washing because heat can set stains into fabric.
- Treat stains promptly.
- Close zippers, fasten hooks, tie strings, and sashes, and remove non-washable trim and ornaments.
- Mend rips and tears to avoid further damage to items during washing.

Helpful Tips:

- For best performance, use HE liquid detergent when washing bulky items.
- When washing water-proof or water-resistant items, load evenly. See the “Cycle Guide” chart for tips and more information on using the Bedding cycle.
- Use mesh garment bags to help avoid tangling when washing delicate or small items.
- Turn knits inside out to avoid pilling. Separate lint-takers from lint-givers. Synthetics, knits, and corduroy fabrics will pick up lint from towels, rugs, and chenille fabrics.

Always read and follow fabric care label instructions to avoid damage to your garments.

WARNING



Electrical Shock Hazard

Plug into a grounded 3-prong outlet.

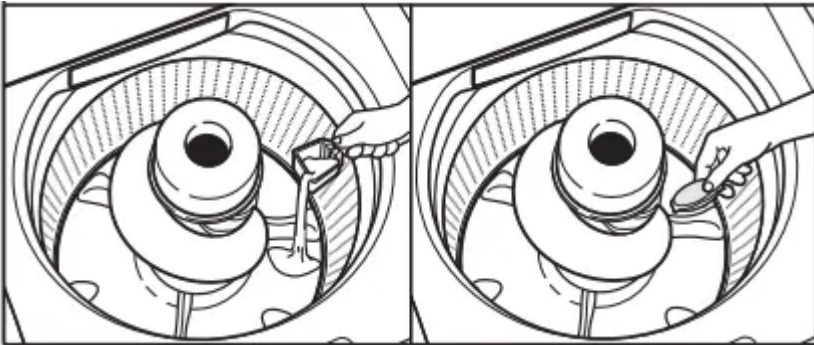
Do not remove the ground prong.

Do not use an adapter.

Do not use an extension cord.

Failure to follow these instructions can result in death, fire, or electrical shock.

2. Add laundry products



Single-dose laundry packets, color-safe bleach, or fabric softener crystals can be added to the basket before adding laundry.

NOTE: Do not add clothes to the washer basket before adding laundry products. Always follow the manufacturer's instructions.

3. Load laundry into the washer



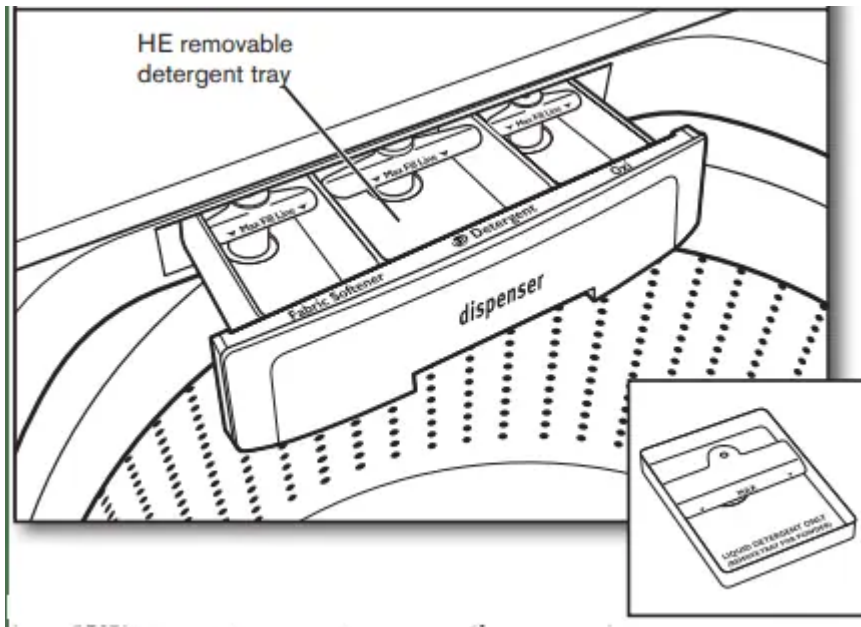
For best performance, load items in loose heaps evenly around the agitator. Try mixing different-sized items to reduce tangling.

IMPORTANT: Items need to move freely for the best cleaning and to reduce wrinkling and tangling.

Using Laundry Product Dispensers

NOTE: Do not add single-dose laundry packets, color-safe bleach, or fabric softener crystals to dispensers. They will not dispense correctly. Add to the basket before adding laundry.

4. Add HE detergent



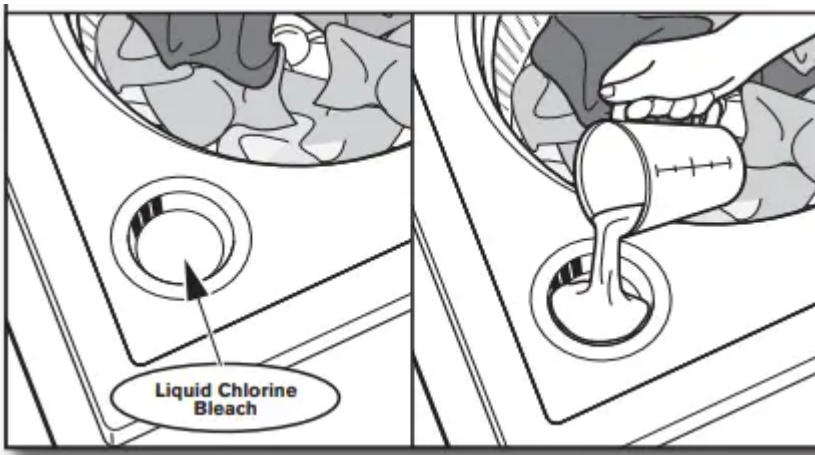
Add a measured amount of HE liquid detergent into the detergent tray. This tray holds 3 oz. (89 mL). If adding powder HE detergent, remove the inside of the tray. Do not overfill the tray; adding too much detergent may cause detergent to be dispensed into the washer too early.

NOTE: Make sure the tray is in the drawer when using liquid detergent and removed when using powder detergent. Do not go over the Max line.

IMPORTANT: Use only High-Efficiency detergents. The package will be marked “HE” or “High Efficiency.” Low-water washing creates excessive sudsing with a regular non-HE detergent. Using regular detergent will likely result in longer cycle times and reduced rinsing performance. It may also result in component failures and noticeable mold or mildew. HE detergents are made to produce the right amount of suds for the best performance. Follow the manufacturer’s instructions to determine the amount of detergent to use.

HELPFUL TIP: See “Washer Maintenance” for information recommended method of cleaning washer dispenser trays.

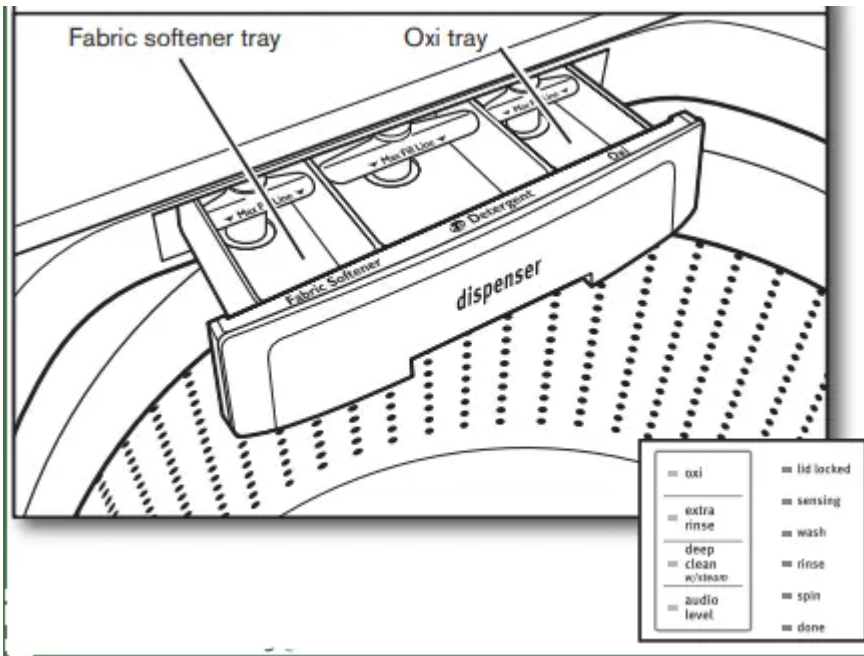
5. Add liquid chlorine bleach to the dispenser



Do not overfill, dilute, or use more than 1 cup (236 mL).

Do not use color-safe bleach or Oxi products in the same cycle as liquid chlorine bleach.

6. Add liquid fabric softener or Oxi to the dispenser



Pour a measured amount of liquid fabric softener or Oxi-type boosters, into the tray; always follow the manufacturer’s directions for the correct amount of fabric softener or Oxi based on your load size. Close the dispenser drawer, and then select the Oxi option. Oxi is added during the main wash and fabric softener is added during the rinse.

IMPORTANT: Oxi option must be selected to ensure proper distribution at the correct time in the cycle. Do not overfill or dilute. The overfilling dispenser will cause the fabric softener to immediately dispense into the washer. If the Extra Rinse option is selected, fabric softener will be dispensed into the last rinse. It is normal for a small amount of water to remain in the dispenser at the end of a cycle.

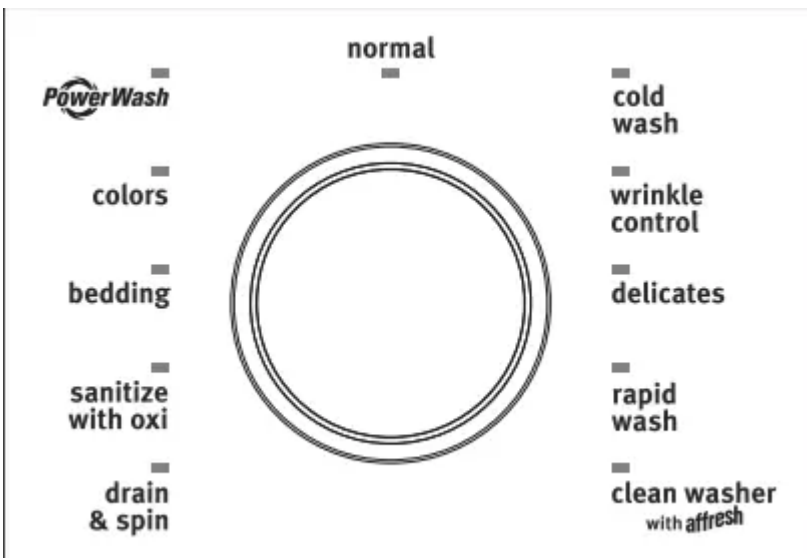
7. Touch POWER to turn on the washer





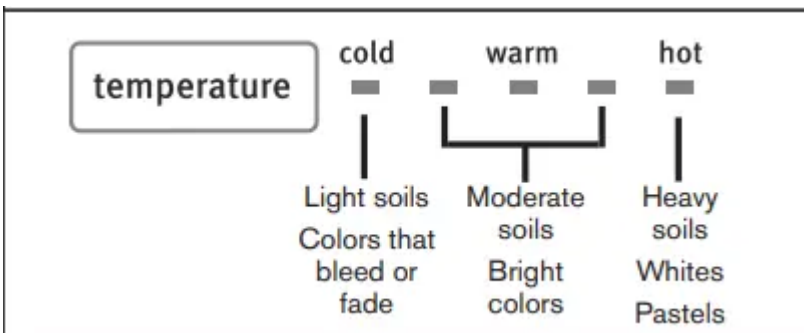
Make sure the dispenser drawer is closed completely, then touch POWER to turn on the washer. Other methods of turning the washer on include opening the lid or turning the cycle selection knob.

8. Select cycle



Turn the cycle knob to choose your wash cycle.

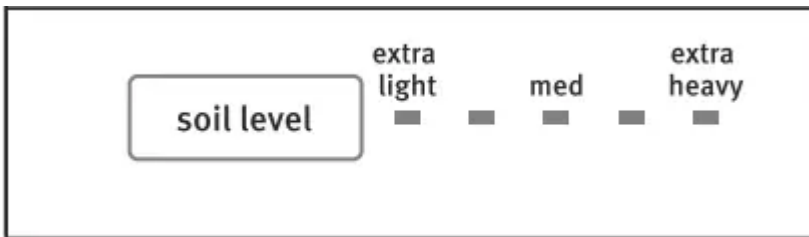
9. Select Temperature



Once you select a cycle, select the wash temperature by touching the Temperature button until you reach the desired setting. Even for cold wash settings, some warm water may be added to the washer to maintain a minimum temperature.

NOTE: Always read and follow fabric care label instructions to avoid damage to your items.

10. Select Soil Level



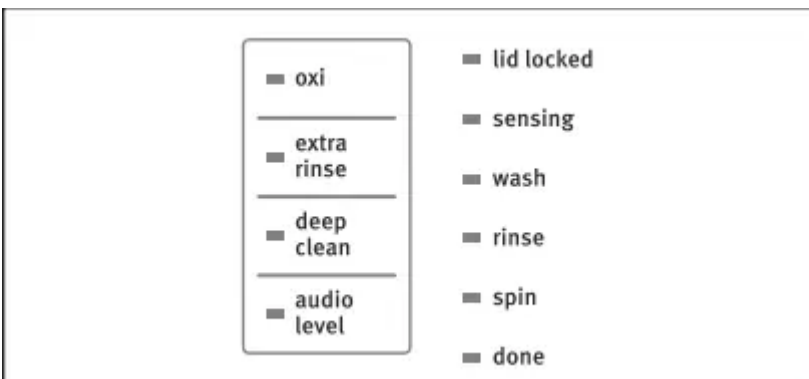
Once you select a cycle, select the soil level by touching the Soil Level button until you reach the desired setting.

11. Select Spin Speed



Once you select a cycle, you may adjust the spin speed by touching the Spin Speed button until you reach the desired setting.

12. Select cycle options, if desired



If you would like to add an Extra Rinse and/or Oxi option, touch the button for that feature.

13. Select Deep Fill mode, if desired



Once you select a cycle, you may disable the auto-sensing mode and turn on the Deep Fill mode by pressing the Deep Fill button.

NOTE: Deep Fill is not available in the Normal cycle mode. Selecting the Normal cycle with the Deep Fill setting will result in auto-sensing of the water level.

14. Touch and the hold Start/Pause button to begin the wash cycle





hold to start
press to pause

Touch and hold Start/Pause for up to 3 seconds to start the wash cycle. When the cycle has finished, the end-of-cycle signal will sound (if set). Promptly remove items when the cycle is done to avoid odor, reduce wrinkling, and rusting of metal hooks, zippers, and snaps.

Unlocking the lid to add items

If you need to open the lid to add 1 or 2 missed items:

Touch the Start/Pause button to pause the washer; the lid will unlock once the washer movement has stopped. This may take several minutes if the load was spinning at a high speed. Then close the lid and touch and hold the Start/Pause button again for up to 3 seconds to restart the cycle.

IMPORTANT: If the lid is left open for more than 10 minutes the water will pump out and the F8E6 error code will appear on the display.

WASHER MAINTENANCE

WATER INLET HOSES

Replace inlet hoses after five years of use to reduce the risk of hose failure. Periodically inspect and replace inlet hoses if bulges, kinks, cuts, wear, or leaks are found. When replacing your inlet hoses, mark the date of replacement on the label with a permanent marker.

NOTE: This washer does not include inlet hoses. See the “Installation Instructions” for more information.

WASHER CARE

Recommendations to help keep your washer clean and performing at its best

1. Always use High Efficiency (HE) detergents and follow the HE detergent manufacturer's instructions regarding the amount of HE detergent to use. Never use more than the recommended amount because that may increase the rate at which detergent and soil residue accumulate inside your washer, which in turn may result in undesirable odor.
2. Use warm and hot wash water settings sometimes (not exclusively cold water washes), because they do a better job of controlling the rate at which soils and detergent accumulate.
3. Always leave the washer lid open between uses to help dry out the washer and prevent the buildup of odor-causing residue.

Cleaning your top-loading washer

Read these instructions completely before beginning the routine cleaning processes recommended below. This washer maintenance procedure should be performed, at a minimum, once per month or every 30 wash cycles, whichever occurs sooner, to control the rate at which soils and detergent may otherwise accumulate in your washer.

Cleaning the inside of the washer

To keep your washer odor-free, follow the usage instructions provided above, and use this recommended monthly cleaning procedure:

Clean Washer with affresh[®] cycle

This washer has a special cycle that uses higher water volumes in combination with affresh[®] Washer Cleaner or liquid chlorine bleach to clean the inside of the washer.

Begin procedure

1. Procedure for using affresh[®] Washer Cleaner (recommended for best performance):

- a. Open the washer lid and remove any clothing or items.
- b. Place an affresh[®] Washer Cleaner tablet in the bottom of the washer basket.
- c. Do not place an affresh[®] Washer Cleaner tablet in the detergent dispenser.
- d. Do not add any detergent or other chemicals to the washer when following this procedure.
- e. Close the washer lid.
- f. Select the CLEAN WASHER with the affresh[®] cycle.
- g. Touch and hold Start/Pause to begin the cycle. The Clean Washer with affresh[®] cycle operation is described below.
- **NOTE:** For best results, do not interrupt the cycle. If the cycle must be interrupted, touch POWER. After the Clean Washer with affresh[®] cycle has stopped, run a Drain & Spin cycle with the Extra Rinse option to rinse the cleaner from the washer.

2. Procedure for using chlorine bleach (alternative):

- a. Open the washer lid and remove any clothing or items.
- b. Add 1 cup (236 mL) of liquid chlorine bleach to the bleach compartment.
- **NOTE:** Use of more liquid chlorine bleach than is recommended above could cause washer damage over time.
- c. Close the washer lid.

- d. Do not add any detergent or other chemicals to the washer when following this procedure.
- e. Select the CLEAN WASHER WITH affresh[®] cycle.
- f. Touch and hold the Start/Pause button to begin the cycle. The Clean Washer Cycle Operation is described below.
- **NOTE:** For best results, do not interrupt the cycle. If the cycle must be interrupted, touch POWER. After the Clean Washer cycle has stopped, run a Drain & Spin cycle with the Extra Rinse option to rinse the cleaner from the washer.

Description of Clean Washer with affresh[®] cycle operation:

1. This cycle will fill to a water level higher than in normal wash cycles to provide rinsing at a level above the water line for the normal wash cycle.
2. During this cycle, there will be some agitation and spinning to increase the removal of soil. After this cycle is complete, leave the lid open to allow for better ventilation and drying of the washer interior.

Cleaning the dispensers

After a period of using your washer, you may find some residue buildup in the washer's dispensers. To remove residue from the dispensers, wipe them with an affresh[®] Machine Cleaning Wipe or a damp cloth and towel dry. Do not attempt to remove the dispensers or trim for cleaning. The dispensers and trim are not removable. If your model has a dispenser tray, however, remove the tray and clean it with an affresh[®] Machine Cleaning Wipe or a damp cloth and towel dry before or after you run the Clean Washer cycle. Use an all-purpose surface cleaner, if needed.

Cleaning the outside of the washer

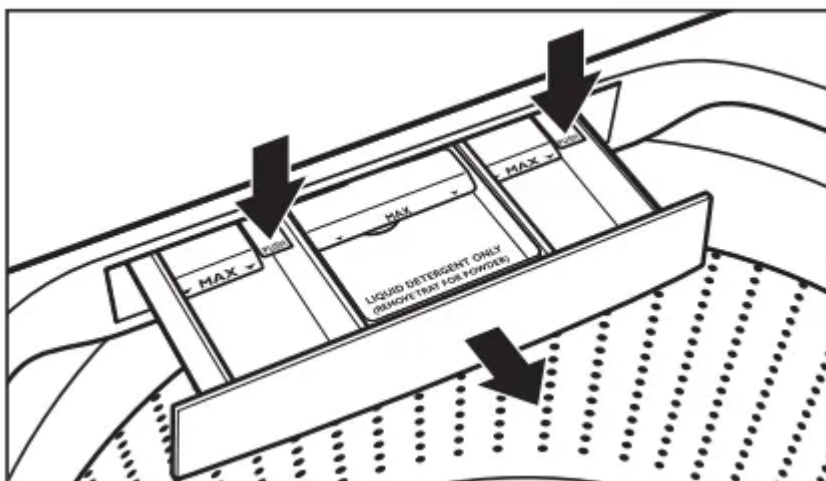
Use an affresh[®] Machine Cleaning Wipe or a soft, damp cloth or sponge to wipe away any spills. Use only mild soaps or cleaners when cleaning external washer surfaces.

IMPORTANT: To avoid damaging the washer's finish, do not use abrasive products.

CLEANING YOUR REMOVABLE DISPENSER DRAWER

You may find laundry product residue left over in your dispenser drawer. To remove residue, follow this recommended cleaning procedure:

1. Pull the drawer out until you feel resistance.
2. Push the two tabs downward, and then continue pulling out.
3. Wash in warm, soapy water, using a mild detergent.
4. Rinse with warm water.
5. Air dry, or dry with a towel, then place back into the slot.



IMPORTANT: Dispenser drawer and tray are not dishwasher safe.

WINTER STORAGE CARE

IMPORTANT: To avoid damage, install and store the washer where it will not freeze. Because some water may stay in hoses, freezing can damage the washer. If storing or moving during freezing weather, winterize your washer.

To winterize the washer:

1. Shut off both water faucets; disconnect and drain water inlet hoses.
2. Put 1 qt. (1 L) of R.V.-type antifreeze in the basket and run the washer on Drain & Spin cycle with the Extra Rinse option, for about 30 seconds to mix the antifreeze and remaining water.
3. Unplug the washer or disconnect the power.

NON-USE AND VACATION CARE

Operate your washer only when you are home. If moving, or not using your washer for some time, follow these steps:

1. Unplug or disconnect the power to the washer.
2. Turn off the water supply to the washer, to avoid flooding due to water pressure surge.

TRANSPORTING YOUR WASHER

1. Shut off both water faucets. Disconnect and drain water inlet hoses.
2. If the washer will be moved during freezing weather, follow the "Winter Storage Care" directions before moving.
3. Disconnect the drain hose from the drain system and drain any remaining water into a pan or bucket. Disconnect the drain hose from the back of the washer.
4. Unplug the power cord.

5. Place inlet hoses and drain hoses inside the washer basket.
6. Drape the power cord over the edge and into the washer basket.
7. Place the packing tray from the original shipping materials back inside the washer. If you do not have a packing tray, place heavy blankets or towels into the basket opening. Close the lid and place tape over the lid and down the front of the washer. Keep the lid taped until the washer is placed in a new location. Transport the washer in an upright position.

REINSTALLING/USING THE WASHER AGAIN

To reinstall the washer after non-use, vacation, winter storage, or moving:

1. Refer to “Installation Instructions” to locate, level, and connect the washer.
2. Before using it again, run the washer through the following recommended procedure:

To use the washer again:

1. Flush water pipes and hoses. Reconnect water inlet hoses. Turn on both water faucets.

WARNING



Electrical Shock Hazard

Plug into a grounded 3-prong outlet.

Do not remove the ground prong.

Do not use an adapter.

Do not use an extension cord.

Failure to follow these instructions can result in death, fire, or electrical shock.

2. Plug in the washer or reconnect the power.
3. Run the washer through the Bedding cycle to clean the washer and remove antifreeze, if used. Use only HE High-Efficiency detergent. Use one-half the manufacturer's recommended amount for a medium-size load.

TROUBLESHOOTING

Vibration or Off-Balance

Check the following for proper installation or see the “Using Your Washer” section.

- The feet may not be in contact with the floor and locked.
 - Front and rear feet must be in firm contact with the floor, and the washer must be level to operate properly. See “Installation Instructions”.
- The washer may not be level.
 - Check the floor for flexing or sagging. If the flooring is uneven, a 3/4" (19 mm) piece of plywood under your washer will reduce sound.
 - See “Level the Washer” in the Installation Instructions.
- The load could be unbalanced.
 - Load items in loose heaps evenly around the agitator. Adding wet items to the washer or adding more water to the basket could unbalance the washer.
 - Avoid washing single items. Balance a single item such as a rug or jeans jacket with a few extra items. Redistribute the load, close the lid, and touch and hold Start/Pause.
 - Use the Bedding cycle for oversized, non-absorbent items such as jackets and small comforters.
 - Item or load not suitable for the selected cycle. See the “Cycle Guide” chart and the “Using Your Washer” section.

Noises - For normal operating sounds

Clicking or metallic noises

- Objects may be caught in the washer drain system.
 - Empty pockets before washing. Loose items such as coins could fall between the basket and the tub or may block the pump. It may be necessary to call for service to remove items.
 - It is normal to hear metal items on clothing such as metal snaps, buckles, or zippers touch against the stainless steel basket.

Gurgling or humming

- A washer may be draining water.
 - It is normal to hear the pump making a continuous humming sound with periodic gurgling or surging as final amounts of water are removed during the Spin/Drain cycles.

Humming

- Load sensing may be occurring.
 - You may hear the hum of the sensing spins after you have started the washer. This is normal.

Whirring

- Basket deceleration may be occurring.
 - You may hear the whirring sound of the basket decelerating. This is normal.

Water Leaks

Check the following for proper installation:

- Washer not level.
 - Water may splash off the basket if the washer is not level.
- Fill hoses not attached tightly.
 - Tighten the fill-hose connection.
- Fill hose washers.
 - Make sure all four fill hose flat washers are properly seated.
- Drain hose connection.
 - Pull the drain hose from the washer cabinet and properly secure it to the drainpipe or laundry tub.
 - Do not place tape over the drain opening.
- Check household plumbing for leaks or clogged sink or drain.
 - Water can back up out of a clogged sink or drainpipe. Check all household plumbing for leaks (laundry tubs, drain pipes, water pipes, and faucets).
- The washer was not loaded as recommended.
 - Unbalanced loading can cause the basket to be out of alignment and cause water to splash off the tub. See “Using Your Washer” for loading instructions.

The washer not performing as expected

Not enough water in the washer

- The load is not completely covered in water.
 - This is normal operation for Auto Sensing Water Level mode. The load will not be completely underwater. The washer senses load sizes and adds the correct

amount of water for optimal cleaning performance in High-Efficiency operation. See “What’s New under the Lid.”

- Use PowerWash[®] or Bedding cycle for higher water fill, or select the Deep Fill setting. See “What’s New Under the Lid?” and the “Cycle Guide” chart to match your load with the best cycle. **NOTE:** Deep Fill is not available in the Normal cycle mode. Selecting the Normal cycle with the Deep Fill setting will result in auto-sensing of the water level.
- Run a clean washer cycle to optimize the water level and wash performance.

The washer won’t run or fill, the washer stops working, or the wash light remains on (indicating that the washer was unable to fill appropriately)

- Check for proper water supply.
 - Both hoses must be attached and have water flowing to the inlet valve.
 - Both hot and cold water faucets must be turned on.
 - Check that inlet valve screens have not become clogged.
 - Check for any kinks in inlet hoses, which can restrict water flow.
- Check proper electrical supply.
 - Plug the power cord into a grounded 3-prong outlet.
 - Do not use an extension cord.
 - Ensure there is power to the outlet.
 - Reset a tripped circuit breaker. Replace any blown fuses. **NOTE:** If problems continue, contact an electrician.
- Normal washer operation.
 - The lid must be closed for the washer to run.
 - The washer will pause during certain phases of the cycle. Do not interrupt the cycle.
 - The washer may be stopped to reduce suds.
- The washer may be tightly packed.
 - Remove several items, and rearrange the load evenly around the agitator. Close the lid, and touch and hold the Start/Pause button.
 - Add only one or two additional garments after the washer is started.
 - Do not add more water to the washer.



- Not using HE detergent or using too much HE detergent.
 - Only use HE detergent. Suds from regular detergents can slow or stop the washer. Always measure detergent and follow detergent directions based on your load requirements.
 - To remove suds, cancel the cycle. Select DRAIN & SPIN and the Extra Rinse option. Touch and hold the Start/Pause button. Do not add more detergent.

The washer not draining/spinning, loads are still wet, or the spin light remains on (indicating that the washer was unable to pump out water within 10 minutes)

- Small items may have been caught in the pump or between the basket and tub, which can slow draining.
 - Empty pockets and use garment bags for small items.
- Small items may have been caught in the pump or between the basket and tub, which can slow draining.
 - Empty pockets and use garment bags for small items.
- Using a cycle with a low spin speed.
 - Cycles with lower spin speeds remove less water than cycles with high spin speeds. Use the recommended cycle/spin speed for your item. To remove extra water in the load, select DRAIN & SPIN. The load may need to be rearranged to allow even distribution of the load in the basket.
- The washer may be tightly packed or unbalanced.
 - Tightly packed or unbalanced loads may not allow the washer to spin correctly, leaving the load wetter than normal. Evenly arrange the wet load for balanced spinning. Select the DRAIN & SPIN cycle to remove excess water. See the “Using Your Washer” section for loading recommendations.
- Load off balanced.
 - See “Vibration or Off-Balance” in this section for more information.
- Check plumbing for correct drain hose installation. The drain hose extends into the standpipe farther than 4.5" (114 mm).
 - Check the drain hose for proper installation. Use drain hose form and securely attach to drainpipe or tub. Do not tape over the drain opening. Lower the drain hose if the end is higher than 96" (2.4 m) above the floor. Remove any clogs from the drain hose.



- Too much detergent causes suds to slow or stop draining and spinning.
 - Use only HE detergent. Always measure and follow detergent directions for your load. To remove extra suds, select DRAIN & SPIN and the Extra Rinse option. Do not add detergent.

Dry spots on load after cycle

- High-speed spins extract more moisture than traditional top-load washers.
 - The high spin speeds combined with airflow during the final spin can cause items near the top of the load to develop dry spots during the final spin. This is normal.
- A washer may be tightly packed.
 - Use PowerWash[®] or Bedding cycle for higher water fill, or select the Deep Fill setting. The Deep Fill setting is not available on the Normal cycle. See the “Cycle Guide” chart to match your load with the best cycle. **NOTE:** Deep Fill is not available in the Normal cycle mode. Selecting the Normal cycle with the Deep Fill setting will result in auto-sensing of the water level.
- Added extra garments to the load after the sensing/fill phase.
 - Add only one or two additional garments after the washer has started.

Incorrect or wrong wash or rinse temperatures

- Check for proper water supply.
 - Make sure hot and cold inlet hoses are not reversed.
 - Both hoses must be attached to both the washer and faucet, and have both hot and cold water flowing to the inlet valve.
 - Check that inlet valve screens are not clogged.
 - Remove any kinks in the hoses.
- Energy-saving controlled wash temperatures.
 - High-Efficiency washers use cooler wash and rinse water temperatures than traditional top-load washers. This includes cooler hot and warm washes.

Load not rinsed

- Check for proper water supply.
 - Make sure hot and cold inlet hoses are not reversed.
 - Both hoses must be attached and have water flowing to the inlet valve.
 - Both hot and cold water faucets must be on.
 - The Inlet valve screens on the washer may be clogged.

- Remove any kinks in the inlet hose.
- Not using HE detergent or using too much HE detergent.
 - The suds from regular detergent can keep a washer from operating correctly.
 - Use only HE detergent. Be sure to measure correctly.
 - Always measure detergent and follow detergent directions based on load size and soil level.
- A washer may be tightly packed.
 - The washer is less efficient at rinsing when tightly packed.
 - Load garments in loose heaps evenly around the agitator. Load with dry items only.
 - Use a cycle designed for the fabrics being washed.
 - Add only one or two additional garments after the washer is started.
 - Use the Bedding cycle for higher water fill, or set the Water Level knob to the Deep Fill setting. See the “Cycle Guide” chart to match your load with the best cycle. **NOTE:** Deep Fill is not available in the Normal cycle mode. Selecting the Normal cycle with the Deep Fill setting will result in auto-sensing of the water level.

Sand, pet hair, lint, etc. on load after washing

- Heavy sand, pet hair, lint, and detergent or bleach residues may require additional rinsing.
 - Add an Extra Rinse to the selected cycle or use the Deep Fill option. **NOTE:** Deep Fill is not available in the Normal cycle mode. Selecting the Normal cycle with the Deep Fill setting will result in auto-sensing of the water level.

Load is tangling

- The washer was not loaded as recommended.
 - See the “Using Your Washer” section.
 - Select a cycle with a slower wash action and spin speed, however, items will be wetter than those using a higher-speed spin. Use PowerWash[®] or Bedding cycle for higher water fill, or set the Water Level knob to Deep Fill setting. See the “Cycle Guide” to match your load with the best cycle. **NOTE:** Deep Fill is not available in the Normal cycle mode. Selecting the Normal cycle with the Deep Fill setting will result in auto-sensing of the water level.
 - Load items in loose heaps evenly around the agitator.
 - Reduce tangling by mixing types of load items. Use the recommended cycle for the type of items being washed.

Not cleaning or removing stains

- Added more water to the washer.
 - The washer senses load size and add the correct amount of water. This is normal and necessary for clothes to move. It is normal for the wash load to be not completely covered in water. Extra water, added manually, results in less effective cleaning.
- The washer was not loaded as recommended.
 - The washer is less efficient at cleaning when tightly packed.
 - Load garments in loose heaps evenly around the agitator. Load with dry items only.
 - Add only one or two additional garments after the washer is started.
- Adding detergent on top of the load.
 - Add detergent, Oxi products, and color-safe bleach to the bottom of the basket before adding the load items.
- Not washing like colors together.
 - Wash like colors together and remove promptly after the cycle is complete to avoid dye transfer.
- Not using HE detergent or using too much HE detergent.
 - The suds from regular detergent can keep a washer from operating correctly.
 - Use only HE detergent. Be sure to measure correctly.
 - Always measure detergent and follow the manufacturer's directions based on load size and soil level.
- Not using the correct cycle for fabric type.
 - Use a higher soil level cycle option and warmer wash temperature to improve cleaning.
 - Use the PowerWash® cycle for tough cleaning. See the "Cycle Guide" chart to match your load with the best cycle.
- Not using a dispenser.
 - Use a dispenser to avoid chlorine bleach and fabric softener staining.
 - Load the dispenser before starting a cycle.
 - Avoid overfilling.
 - Do not add products directly onto the load.

Incorrect dispenser operation

- Clogged dispensers or laundry products dispensing too soon.
 - Do not overfill the dispenser. Overfilling causes immediate dispensing.
 - Load dispensers before starting a cycle.
 - It is normal for small amounts of water to remain in a dispenser at the end of the cycle.
 - Homes with low water pressure may result in residual powder in the dispenser. To avoid this, select a warmer wash temperature if possible, depending on your load.
 - Clean the dispenser nozzle and make sure the drawer is properly seated.
- Liquid chlorine bleach is not used in the dispenser.
 - Use only liquid chlorine bleach in the bleach dispenser.

Fabric Damage

- Sharp items were in pockets during the wash cycle.
 - Empty pockets, zip zippers, and snap or hook fasteners before washing to avoid snags and tears.
- Strings and straps could have tangled.
 - Tie all strings and straps before starting the wash load.
- Items may have been damaged before washing.
 - Mend rips and broken threads in seams before washing.
- Fabric damage can occur if the washer is tightly packed.
 - Load items in loose heaps evenly around the agitator. Load with dry items only.
 - Use a cycle designed for the fabrics being washed.
 - Add only one or two additional items after the washer is started.
 - Use PowerWash[®] or Bedding cycle for higher water fill, or select the Deep Fill setting. See “What’s New Under the Lid” and the “Cycle Guide” chart to match your load with the best cycle. **NOTE:** Deep Fill is not available in the Normal cycle mode. Selecting the Normal cycle with the Deep Fill setting will result in auto-sensing of the water level.
- Liquid chlorine bleach may have been added incorrectly.
 - Do not pour liquid chlorine bleach directly onto the load. Wipe up bleach spills.
 - Undiluted bleach will damage fabrics. Do not use more than recommended by the manufacturer.

- Do not place load items on top of the bleach dispenser when loading and unloading the washer.
- Garment care instructions may not have been followed.
 - Always read and follow the garment manufacturer's care label instructions. See the "Cycle Guide" chart to match your load with the best cycle.

Odors

- Monthly maintenance is not done as recommended.
 - Run the Clean Washer with the affresh® cycle after every 30 washes. See "Washer Care" in the Washer Maintenance section.
 - Unload the washer as soon as the cycle is complete.
- Using wrong or too much detergent.
 - Use only HE detergent. Be sure to measure correctly. Always follow the manufacturer's directions.
 - See the "Washer Care" section.

The lid-locked light is flashing

- The lid is not closed.
 - Close the lid. The washer will not start or fill with the lid open.
- A cycle was stopped or paused using the Start/Pause button.
 - The washer may still be spinning. The lid will not unlock until the basket has stopped spinning. This may take several minutes if washing large loads or heavy fabrics.

Powdered detergent not dissolving completely in the load

- Using too much HE detergent.
 - Follow the manufacturer's instructions to determine the amount of detergent to use.
- The water temperature is very cold.
 - Select a warmer wash temperature.
 - Try adding the detergent to the basket before adding laundry, rather than using the detergent dispenser.

Single-dose laundry packet not dissolving

- Adding laundry packet incorrectly.
 - Be sure the laundry packet is added to the washer basket before adding clothes. Follow the manufacturer's instructions to avoid damage to your items.

Warning

This content is compiled from multiple sources and is provided for reference purposes only. It may not be complete or fully applicable to all situations. If you are unable to resolve your issue, please contact the product manufacturer or an authorized service provider for official support.

Document generated by [ManualsFile](#)