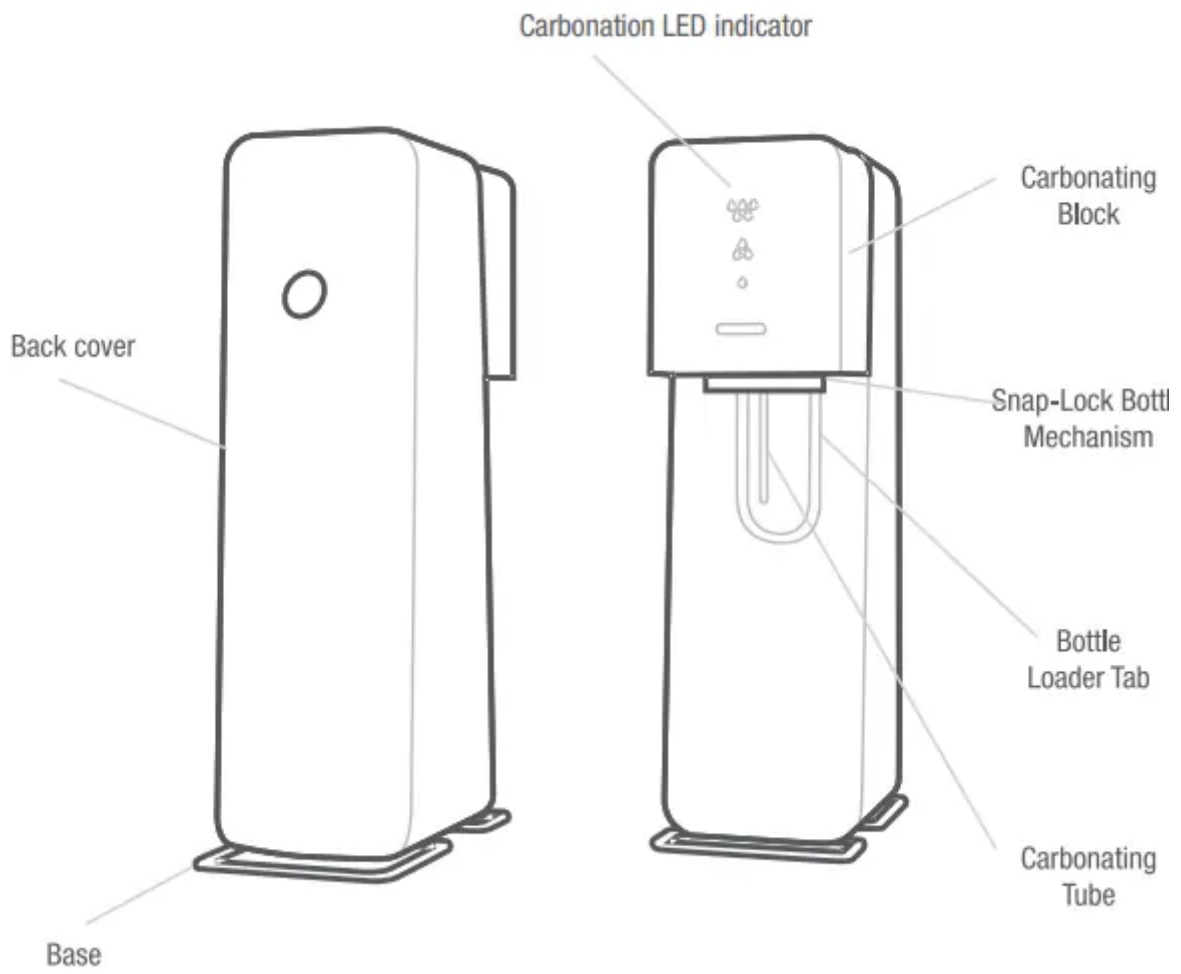
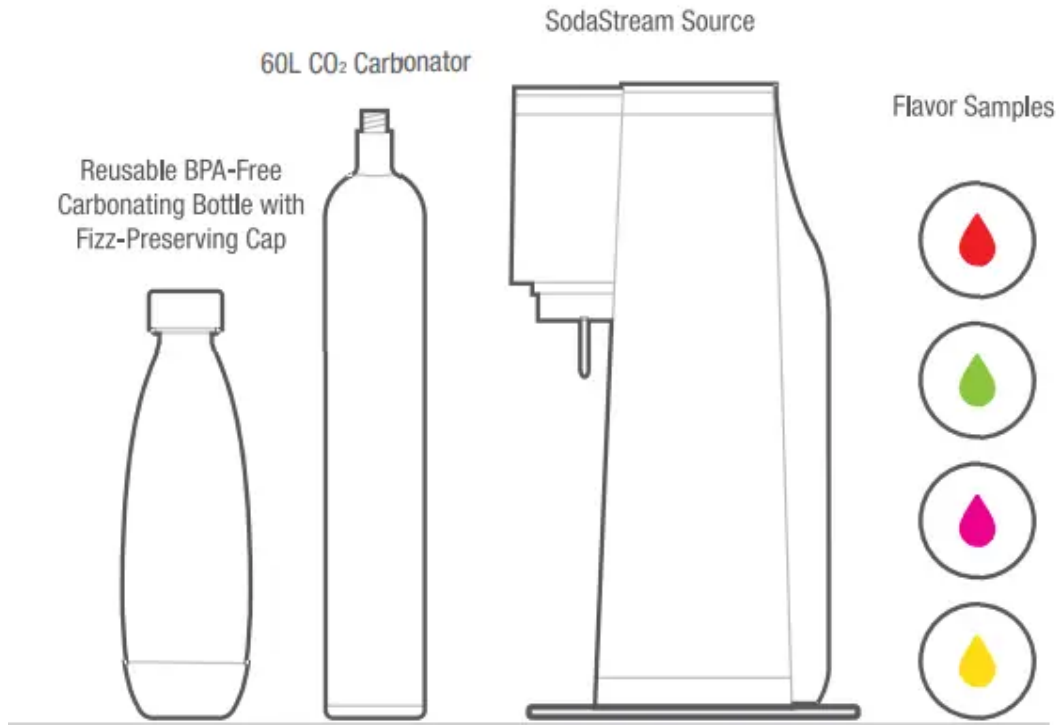
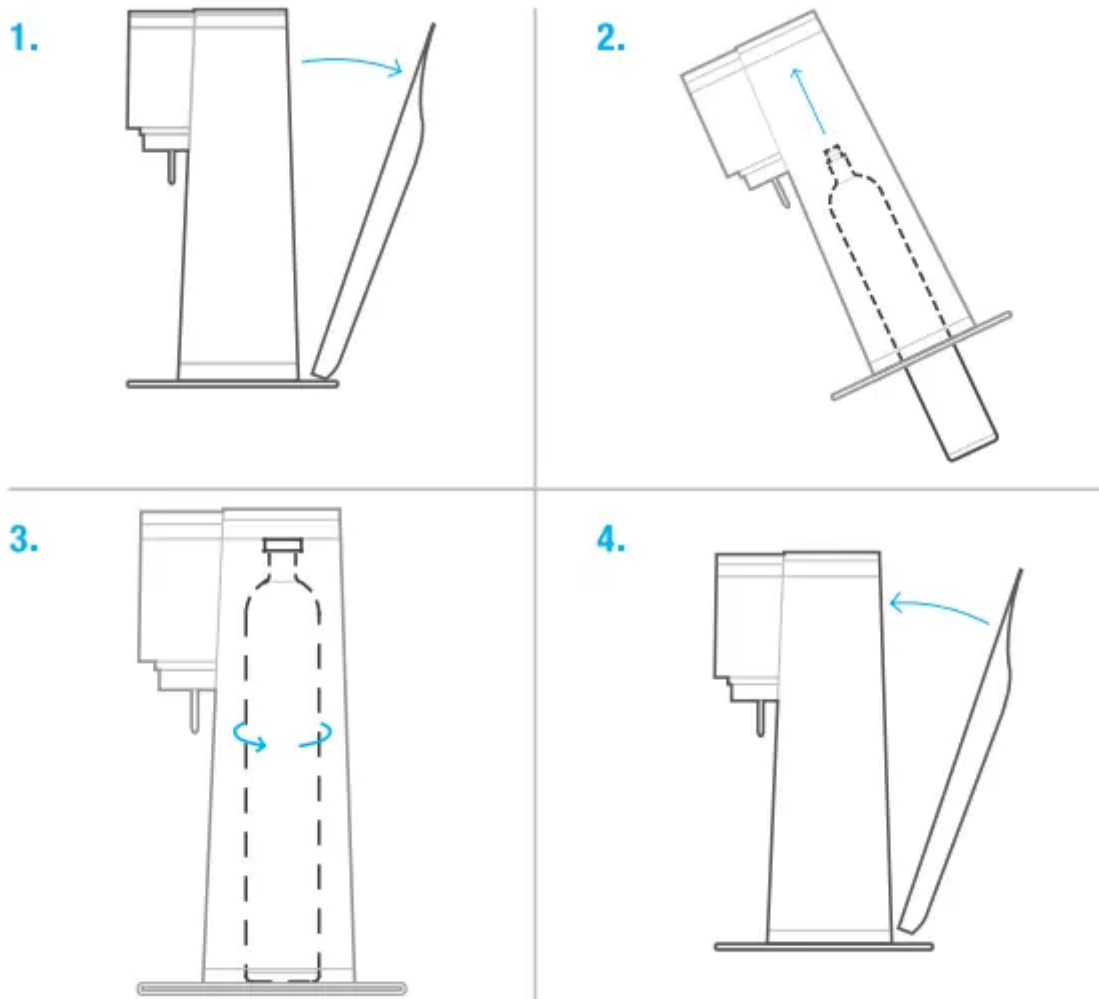


SOURCE OVERVIEW





GET STARTED - ASSEMBLY

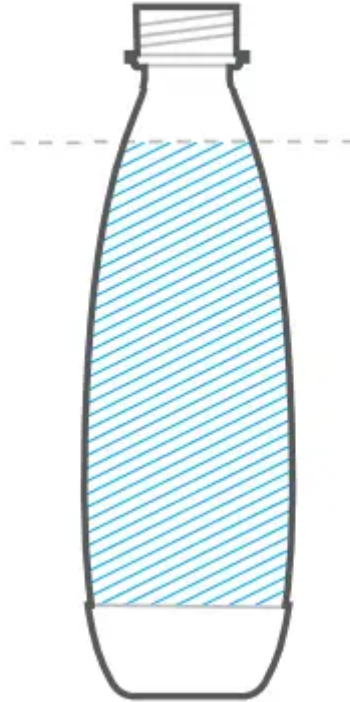


1. Place Soda Maker on a flat, sturdy surface, In an upright position. Remove packaging materials. To remove back cover: (i) Put your index finger in the hole; (ii) Grasp back cover; and (iii) Pull away from unit. Set cover aside.
2. Remove seal and cap from carbonator. Tip Soda Maker forward and insert 60L* carbonator into Soda Maker: first downward into the hole in the base of the Soda Maker, and then upward into the valve fitting.
3. Turn carbonator clockwise until it stops. Hand-tighten only; **DO NOT** use tools.
4. Reinstall back cover: tilt back cover toward you; insert bottom tab into slot and push the cover into place

*The 60L carbonators produce up to 60 liters of soda, depending on the level of carbonation and type of soda maker used.

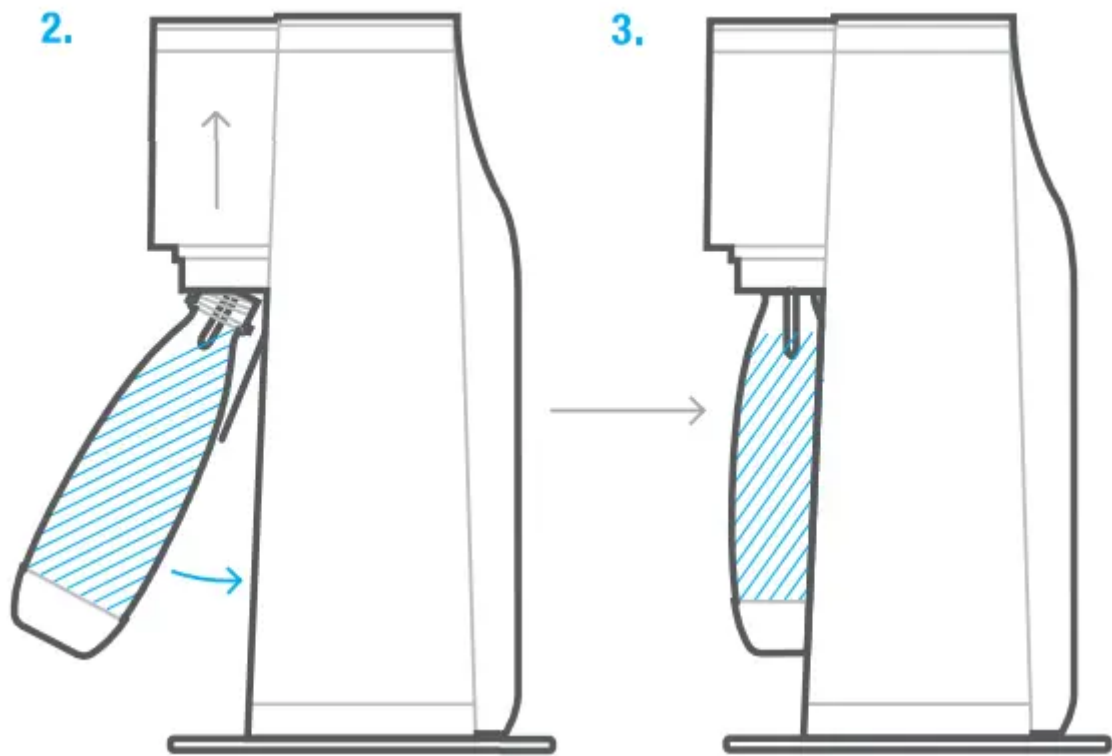
MAKE SPARKLING WATER

1.



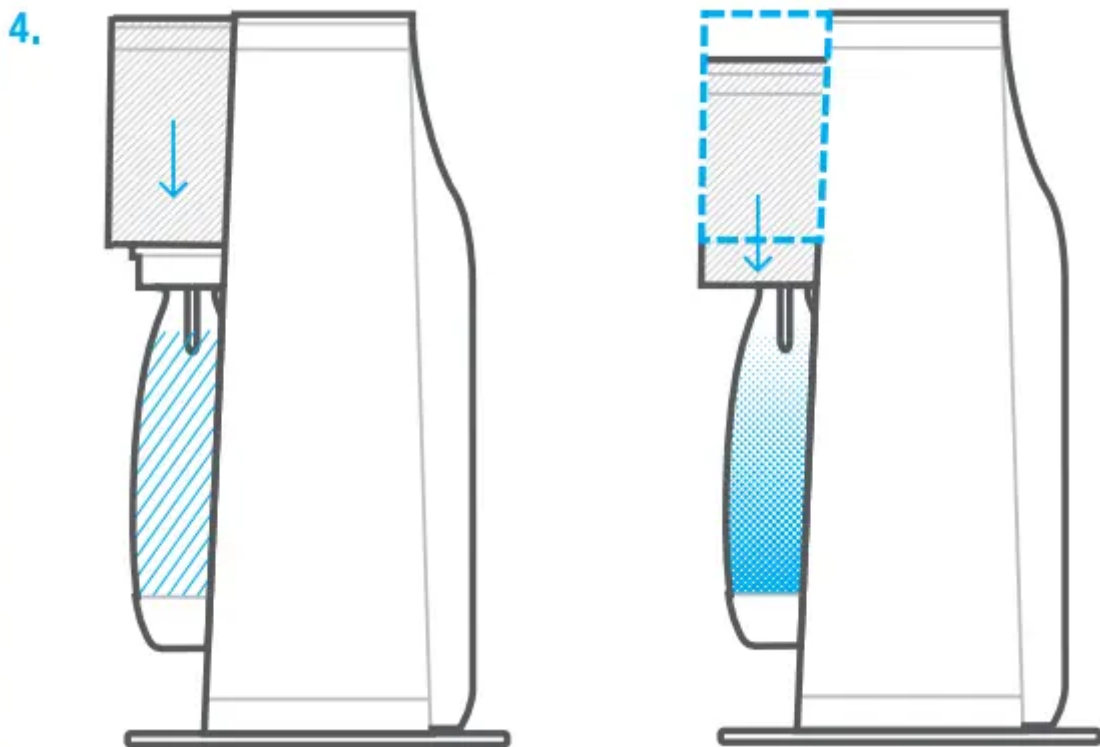
1. Rinse the bottle before using it for the first time. Prior to making soda, fill carbonating bottles with tap water up to the fill line. For best results, carbonate chilled water.

2. To insert bottle, make sure that the carbonating block is in its fully upward position and the bottle loader tab is angled forward. If bottle loader tab is not angled toward, pull it toward you until it clicks. DO NOT pull carbonating tube.



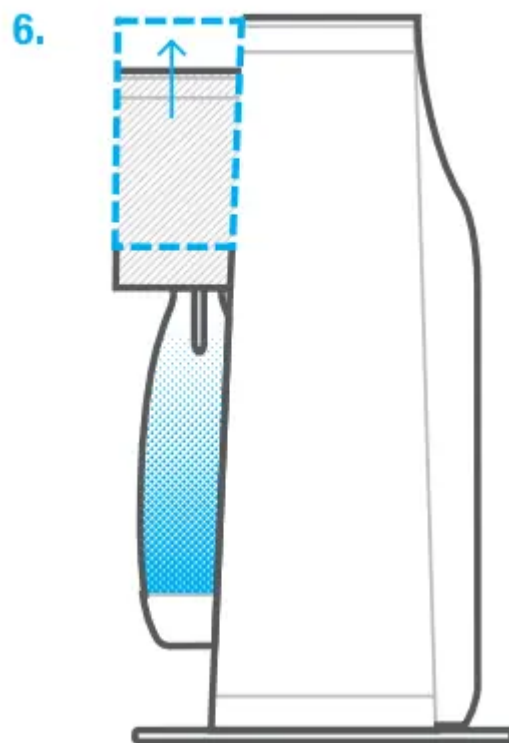
3. Insert bottle neck into the Snap-Lock. Firmly push bottle up and back. The Snap-Lock mechanism will catch the bottle firmly and the bottle will drop to a vertical position.

MAKE SPARKLING WATER



4. Put your hand on the carbonating block and press the block firmly down until the desired

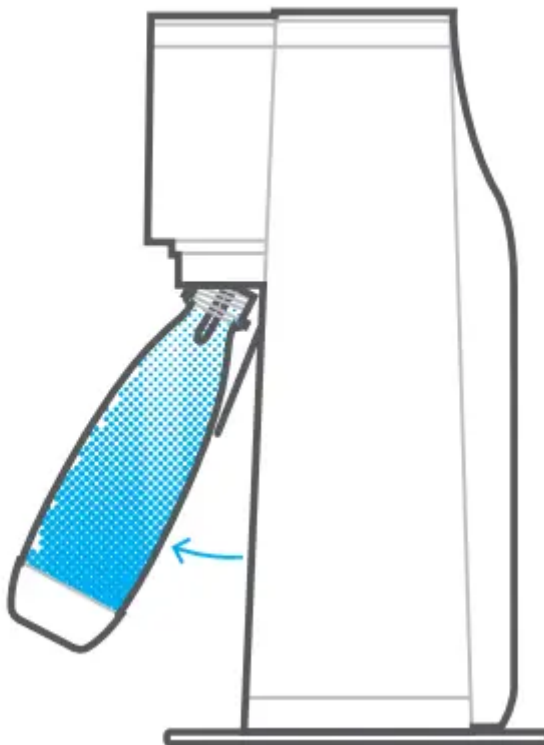
5. The first light from the bottom will indicate mild fizz. Additional presses will produce a stronger carbonation and you will see the 2nd or 3rd lights light up depending on how many times and how long you press the carbonating block.



6. To release bottle, pull carbonating block to its fully upward position. You will hear the sound of excess gas release.

WARNING. DO NOT remove the bottle until you hear the sound of excess CO:

7.



7. Pull bottle toward you to release bottle from Snap-Lock; the bottle will be released automatically. Enjoy your carbonated water or add desired flavor.

MAKE SODA: ADD FLAVORING

SODACAP



SODAMIX



ENJOY!



For SodaCaps: Place a SodaCap on the top of the bottle and press firmly. Flavor will be immediately released and dissolved. No need to mix. Remove SodaCap. Enjoy your soda or place bottle cap and tighten.

For Sodamix Bottles: Hold the carbonating bottle at a slight angle, slowly add the desired flavor. Place bottle cap and tighten; then mix with a gentle rolling motion. See Sodamix bottle for instructions.

CARE

Soda Maker

- Never use abrasive cleaners or sharp tools to clean. If needed, use a mild hand dishwashing liquid and a soft, damp cloth to clean. Dry thoroughly before reinstalling.
- Wipe the exterior of the Soda Maker with a soft, damp cloth. Wipe spills in base to keep base dry.
- **DO NOT** place in water or in a dishwasher. Doing so will seriously damage or destroy your Soda Maker.
- **DO NOT** place or store the Soda Maker close to a heat source such as a kitchen stove.

BOTTLES

FOR YOUR SAFETY:

- **WARNING: DO NOT** wash carbonating bottles in the dishwasher.
- **WARNING:** If carbonating bottles are mistakenly placed in the dishwasher, **DO NOT** use them. Throw them away. Using bottles that have been placed in the dishwasher or bottles that are scratched, worn, discolored, or damaged in any way may result in serious personal injury.
- **DO NOT** expose bottles to temperatures above 120°F (49°C) or below 34°F (1 °C).
- **DO NOT** place bottles in the freezer.
- **DO NOT** place or store bottles close to a heat source, such as a kitchen stove.
- **DO NOT** use carbonating bottles not specifically designed to work with your Soda Maker.
- **DO NOT** use SodaStream glass bottles with this product.
- If desired, rinse carbonating bottles with cold or lukewarm water, but never rinse with hot water. If needed, use a mild hand dishwashing liquid and a soft-bristled brush to clean.
- Every SodaStream carbonating bottle has an expiration date printed on it. **DO NOT** use bottle after this date.

TROUBLESHOOTING YOUR SOURCE SODA MAKER

Before you call for service, check the list of problems and solutions below:

SODA MAKER DOES NOT WORK:

- You might be out of gas; replace your carbonator.
- Check that carbonating bottle has been filled up with water to the fill line.
- Ensure that the Soda Maker is always in the upright position.
- Carbonator may be loose. DO NOT use tools. Detach the bottle, open the rear cover, and retighten the carbonator. Apply firm pressure but do not over tighten. If the carbonator is already firmly in place, it may be empty. Replace with a full carbonator.

WARNING: Use caution when removing carbonator as it may be very cold.

CANNOT PULL BOTTLE LOADER TAB:

- Make sure carbonating block is in its fully upward position.
- Pull bottle loader tab firmly towards you.

CANNOT GET THE BOTTLE IN:

- Make sure the carbonating block is in its fully upward position.
- Pull the bottle loader tab toward you until it clicks
- Insert bottle into Snap-Lock
- Firmly push bottle up and back until it locks.

CANNOT GET THE BOTTLE OUT:

- Make sure the carbonating block is in its fully upward position.
- Pull the bottle toward you.

YOU HEAR GAS ESCAPING FROM THE BOTTLE:

- Bottle may not be properly attached. Allow the Soda Maker to finish the carbonation process and then you can detach the bottle and reconnect it, following the instructions in the "Make Sparkling Water" section.
- It is normal to hear a small amount of gas escape at the end of the carbonating process.

WANT TO RE-CARBONATE A DRINK THAT WAS ALREADY

CARBONATED:

- **WARNING: FOR YOUR SAFETY: NEVER** carbonate again after you add the syrup. If you have not added Sodamix, you may recarbonate only water, as explained in "Make Sparkling Water" section.

DANGER: IF YOUR SODA MAKER CONTINUES TO RELEASE GAS

AFTER CARBONATION IS FINISHED:

- **WARNING:** DO NOT REMOVE THE CYLINDER OR THE BOTTLE. LEAVE THE SODA MAKER IN AN UPRIGHT POSITION. DO NOT TOUCH IT UNTIL YOU NO LONGER HEAR



GAS ESCAPING. When the Soda Maker is no longer releasing gas, remove the carbonating bottle, and contact your local SodaStream customer service.

IF AFTER INSTALLING A NEW CARBONATOR INTO THE SODA MAKER YOU HEAR THE SOUND OF LEAKING GAS:

- There may be a pressure leak between the carbonator holder and the valve. Screw the carbonator tighter into its fitting. **DO NOT** use tools.

IF YOU EXPERIENCE POOR CARBONATION:

- If you have not yet added flavor, try to carbonate to a higher carbonation level.
- Check the carbonator. You might be out of gas.
- Make sure that you are carbonating chilled water.

IF WATER OVERFLOWS FROM THE CARBONATING BOTTLE DURING CARBONATION:

- Check that the carbonating bottle is filled to just below the fill line.
- Verify that the carbonating bottle is firmly installed in the Snap-Lock. Check by gently pulling the bottom of the bottle.

IF YOUR SODA IS NOT FLAVORFUL ENOUGH:

- Just add more flavor to taste!
- **DO NOT** re-carbonate after adding the flavor.

WARNING: If you suspect your Soda Maker is damaged, stop using it immediately and call your local SodaStream Customer Service.

Warning

This content is compiled from multiple sources and is provided for reference purposes only. It may not be complete or fully applicable to all situations. If you are unable to resolve your issue, please contact the product manufacturer or an authorized service provider for official support.