

Installation Guide for Doorbell Camera

EASY SETUP



Connect the power kit to your existing wired chime



Connect and mount the video doorbell to existing doorbell wiring



Download the RCA Security App

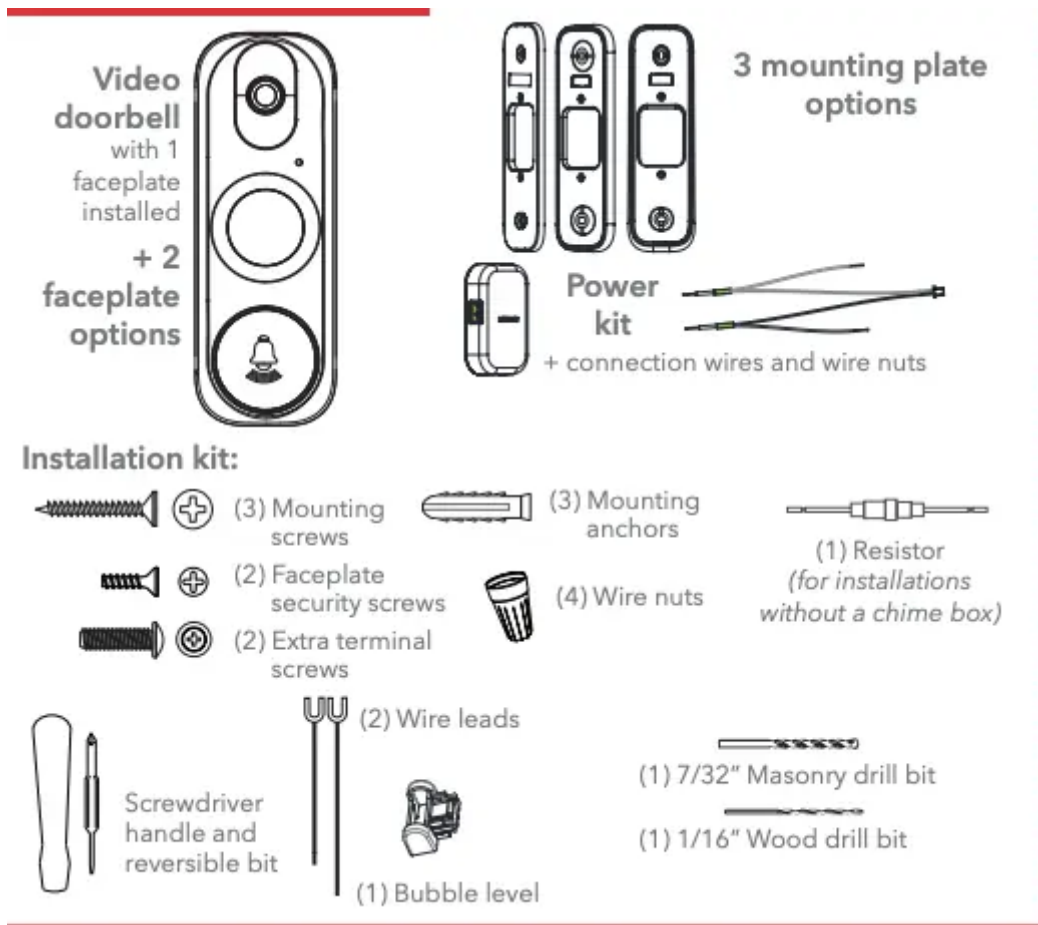


Connect to Wi-Fi



Customize your device settings

WHAT YOU GET



TOOLS YOU'LL NEED



CONNECT & MOUNT THE POWER KIT

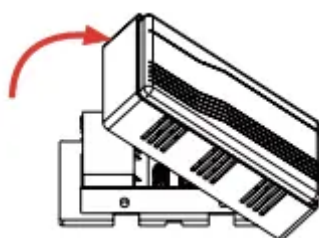
IMPORTANT: If your doorbell does not have a chime box, you will need to install the resistor provided to regulate the power to the doorbell camera. You can skip this section and follow the instructions in the "If You Don't Have A Chime Box" section on page 7.

1 Turn off power to your doorbell's circuit



Find the breaker that controls the circuit for your doorbell. Turn it off before you continue installation.

2 Remove the cover from your doorbell's chime box



Find your doorbell's chime. Remove its cover.

3 Connect the power kit connection wires to the power kit



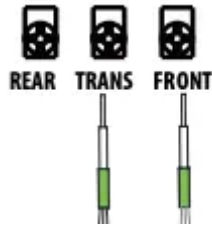
Insert the joined connector into the slot on the side of the power kit.

4 Remove the existing wires from the chime terminals



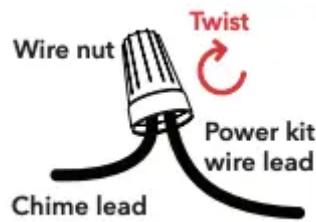
Loosen the terminal screws for the doorbell you want to replace. Remove the leads from those terminals.

5 Connect the power kit connection wires to the chime terminals.



Remove the sheaths covering the ends of the solid-wire power kit leads. Bend the ends of each lead over the terminals where the old leads were. Then tighten the terminal screws to hold the leads in place.

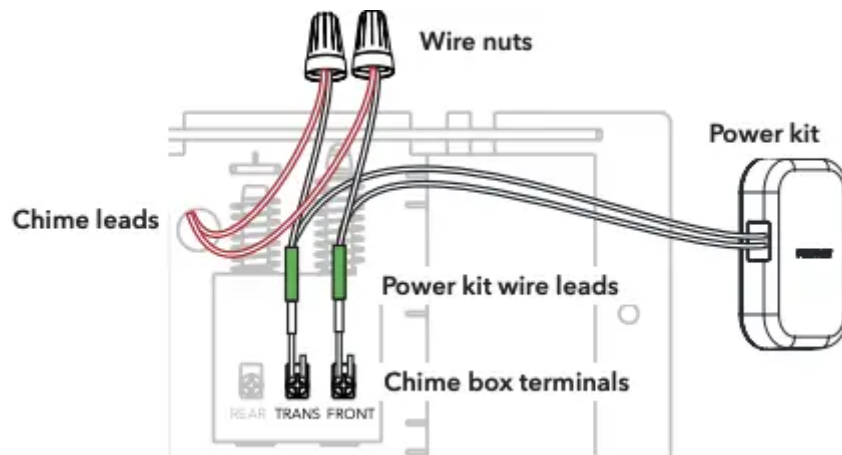
6 Join the power kit connection wires and the old chime leads.



Remove the sheaths covering the ends of the stranded-wire leads from the power kit.

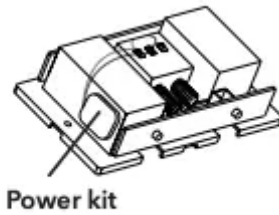
Put the ends of one power kit wire lead and one old chime lead together and insert them into a wire nut. Then twist the wire nut until you feel tension. Repeat with the other set of leads and wire nut.

The end result will look something like the diagram below.



7 Mount the power kit to the side of the chime box

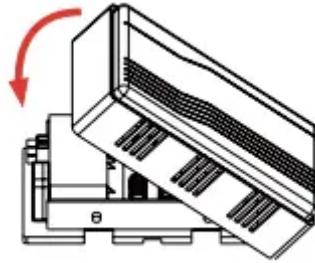




Find a spot on the side of the chime box where the power kit will fit when the chime box's cover is put back on.

Peel the cover off the top of the adhesive strip on the bottom of the power kit. Put the power kit where you want to mount it and press it in place until it's secure.

8 Put the cover from your doorbell's chime box back in place



Put your chime box's cover back on.

CONNECT & MOUNT THE VIDEO DOORBELL

1 Make sure the power to your doorbell's circuit is off



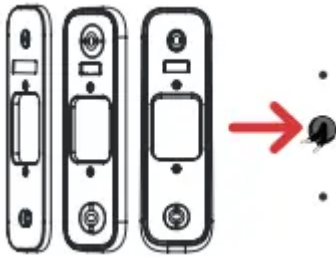
Find the breaker that controls the circuit for your doorbell. Make sure it's off before you continue installation.

2 Remove your existing doorbell



Carefully remove your existing doorbell from the wall. Then unhook your home's wiring from the doorbell's terminals.

3 Find the mounting plate option that works best



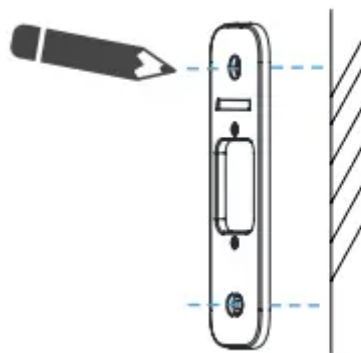
Try the three mounting plate options where you want to mount the video doorbell. Choose the one that gives you the position and angle you want for your video doorbell.

4 Insert the bubble level into the mounting plate



Snap the bubble level into the slot on the front of the mounting plate you want to use.

5 Position the mounting plate and mark location



Place the mounting plate where you want to mount it. Make sure that...

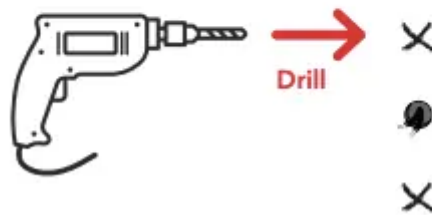
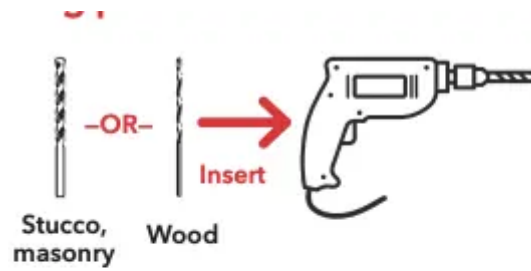
- (1) the center of the plate is over the hole where your home's doorbell wiring comes out, and
- (2) the mounting plate is level continues on the next page...

Use a marker or pencil to mark the top and bottom holes. Then take the mounting plate down.

6 Drill holes for the mounting plate

Insert the correct drill bit for your surface into an electric drill:

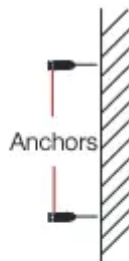
brick or stucco = larger bit (7/32") wood surface = small bit



(1/16")

Drill two holes where indicated by your markings.

7 Mount the mounting plate to the wall

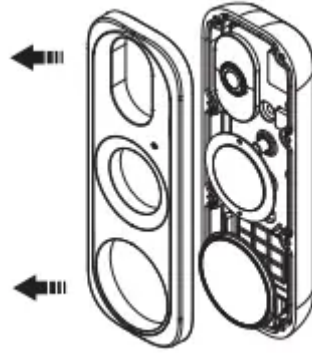


If you're mounting to masonry or brick, insert the provided anchors in the holes you drilled before proceeding.

Align the holes on the mounting plate with the holes you drilled.

Mount the mounting plate to the wall using the screws provided.

8 Remove the faceplate from the video doorbell



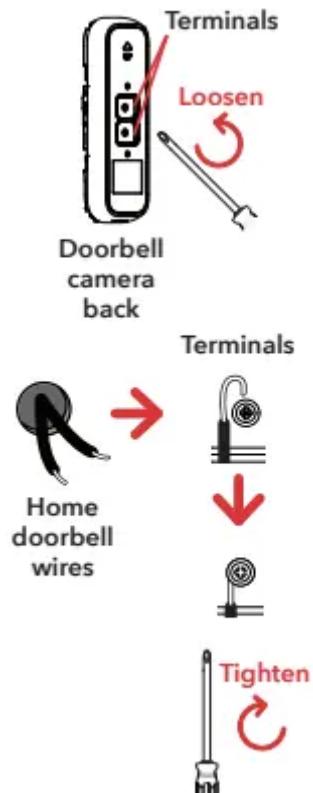
Before you mount it, take the faceplate off the video doorbell—you'll need access to several items behind the faceplate during setup

9 Connect the video doorbell to home power (OPTIONS A & B)

IF YOU DON'T HAVE A CHIME BOX

You must use the resistor provided in this package to connect the video doorbell to your home's wiring. Follow the instructions for OPTION B on the next page, including the resistor instructions in the red box.

OPTION A: If your home's doorbell power wires are long enough



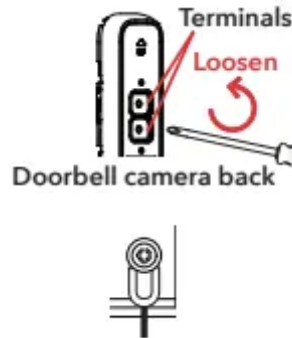
Use the screwdriver provided in this package to loosen the terminal screws on the back of the video doorbell.

Connect the doorbell power wires directly to the terminals on the back of the video doorbell. Loop each wire end around each terminal on the back of the video doorbell. Note: It doesn't matter which wire you put on which terminal.

Tighten the screws to hold the wires firmly in place.

IMPORTANT! Handle the video doorbell carefully! Make sure not to scratch its lens.

OPTION B: If your home's doorbell power wires are NOT long enough.



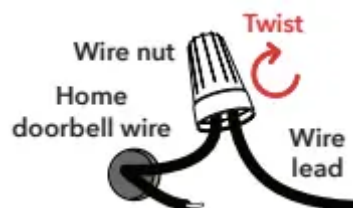
Use the screwdriver provided in this package to loosen the terminal screws on the back of the video doorbell.

Place the terminal of each provided wire lead completely under each terminal screw. Then retighten both terminal screws.



RESISTOR INSTRUCTIONS (IF YOU DON'T HAVE A CHIME BOX)

To install the resistor provided: Remove the sheaths covering the ends of the resistor. Put one end of the resistor together with one of the wire leads connected to the video doorbell. Use one of the provided wire nuts to twist these ends together. Connect the other end of the resistor to your home doorbell wire following the instructions below.



Put the ends of one wire lead and one home doorbell wire together and insert them into a wire nut. Then twist the wire nut until you feel tension. Repeat with the other wire lead, home doorbell wire, and wire nut.

10 Turn on power to your doorbell's circuit



Turn the circuit that powers your doorbell back on.

11 Confirm the video doorbell has power

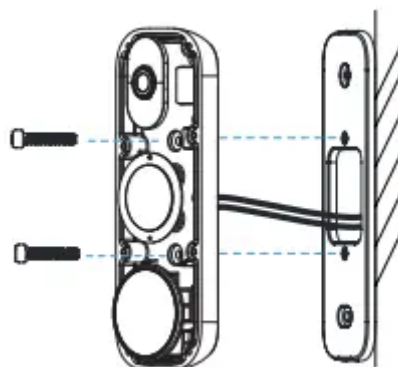


The indicator around the doorbell's call button flashes when it has power (first red, then blue).

If the indicator is flashing: Go to the next step.

If the indicator is NOT flashing: First, check the connections on the back of the video doorbell. Then, press and hold the reset button on the front of the video doorbell for 4 seconds, until the doorbell says "reset successful."

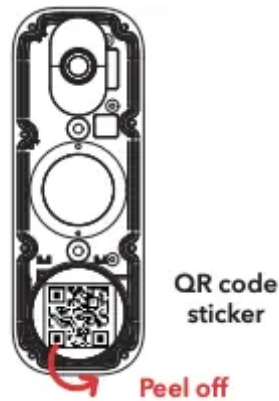
12 Install the video doorbell on the mounting plate



Route the power wires and/or wire leads into the wall.

Align the holes on the video doorbell's body with the holes in the mounting plate. Insert the screws provided through the video doorbell's body and into the mounting plate. Tighten these screws completely

13 Peel off the QR code sticker from the front of the video doorbell and store it in a safe place



Gently peel off the QR code sticker from the front of the video doorbell. Make sure you put it in a safe place— you'll need it to complete setup!

14 Install the faceplate of your choice



Place the faceplate of your choice onto the front of the video doorbell as shown here. Insert the 2 provided set screws into the bottom of the video doorbell to secure the faceplate.

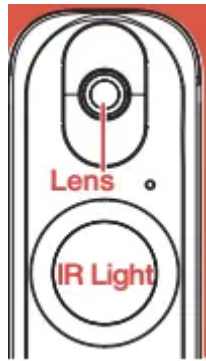
DOWNLOAD THE RCA SECURITY APP

In the Google Play or Apple App Stores, search for “RCA SECURITY” and look for the icon shown here. Then download and install the App

Minimum Operating System Requirements for the RCA Security App

- iOS 7 or later
- Android version 4.4 or later

NOTE: Once you've finished installing and setting up your doorbell camera, make sure you carefully remove the protective film covering its lens and IR light.



CONNECT TO WIFI

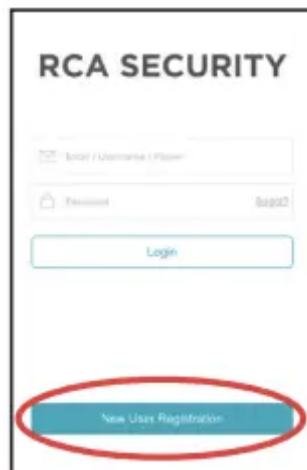
1 Launch the App



Once the RCA Security App has installed on your smartphone or tablet, press the icon to launch the App.

IMPORTANT: The first time you launch it, the App will ask if it can send you notifications. Click "Allow" to let the App push notifications to your phone or tablet.

2 Register as a new user



The first time you launch the RCA Security App, you'll need to create a user name and password so that you can access your camera securely. Press the New User Registration button to get started. Follow the steps to register and go to the next step when you've finished.

Notes: If you already have an RCA Security user name and password enter them in the appropriate spaces and press the Login button. For security reasons, each e-mail address or phone number is limited to one account only.

3 Connect the camera with your WiFi network



In the RCA Security App, tap the + symbol in the middle of the screen.

Find the QR code and serial number you removed from the front of the video doorbell.

Scan this QR code with your phone when prompted by the App.

NOTE: The QR code is also on the back of the doorbell.



Once the App recognizes your doorbell's serial number, the App asks you to connect to your WiFi network. Tap the Connect to a Network button in the App.

4 Follow the steps in the App's guided setup

The RCA Security App will lead you through the steps to set up your video doorbell with your WiFi network and home.

IMPORTANT: You can also get a detailed App setup guide online—just visit and look in the manuals section for the latest and greatest version

Connection Troubleshooting

- +Make sure your phone or tablet is connected to the WiFi network you want to use.
- +Make sure the camera is getting a good signal from your WiFi router.

- +Test your WiFi network with other devices to make sure its working.
- +Double check that you've entered the correct password for your WiFi network in the App.
- +Make sure that your WiFi router uses either WPA2-PSK/WPA-PSK or AES as its encryption method.
- +Make sure that there is no MAC filter on router or add MAC address to router whitelist.
- +Reset the camera to set up connection again. Press and hold RESET key on the front of the doorbell (under the faceplate) for 4 seconds.

TOUR OF THE SYSTEM: LIVE VIEW SCREEN



(Back) goes back to the device list screen.



(Settings) accesses the Settings menu for this camera. Press this icon to turn motion alarms on or off, adjust camera audio, check storage status and the version of the device's software, adjust the time and date settings, and more.

Camera view shows you the image from your Doorbell Camera. Turn your phone/tablet sideways to take over the entire screen.



(Stop) and  (Pause) stops/starts or pauses the live video.



(Sound On/Off) turns the sound from the camera on and off.



(Multi-Camera View) lets you see multiple cameras at once on a single screen (if you've set up multiple cameras). Press the number you want to access a multi-camera view screen.



(Zoom) zooms in on the live view.



(Talk) lets you speak through this camera's built-in speaker. Press this icon to start speaking.



(Snapshot) takes a still photo of the camera video. The snapshot file is saved to your smartphone or tablet.



(Record) starts/stops recording video. The video file is saved to your smartphone or tablet.



(Video Quality) lets you switch between high- and standard-definition video on the view screen.

Call log shows you a history of the times when someone has rung the doorbell.

Video History accesses the doorbell camera's timeline, allowing you to access recordings stored on the doorbell camera's memory card by the times they occurred.




CUSTOMIZE AND USE!





Using the Settings Menu

Press the  icon in the Live View screen to access the following customizable parameters of your doorbell camera.

Receive doorbell call lets you set whether you want to receive alerts on your phone when someone rings the doorbell.

Chime type lets you set the kind of chime you have in your home (electrical, mechanical, or none installed).

Audio turns audio on/off for recording and live viewing.

IR Light turns the camera's night vision feature on/off.

Alarm Notification lets you set notification schedules for when you want to receive alerts. Also lets you set the motion detection area for alerts and the detection sensitivity, as well as the sound the doorbell camera makes when motion is detected.

Time Zone, Daylight Savings Time, and Date Format let you adjust the time zone, daylight savings time, and date format settings you made during setup.

Wi-Fi lets you change WiFi network information for your doorbell camera and keep the device active on the new network. This is a convenient option if you get a new wireless router, for example.

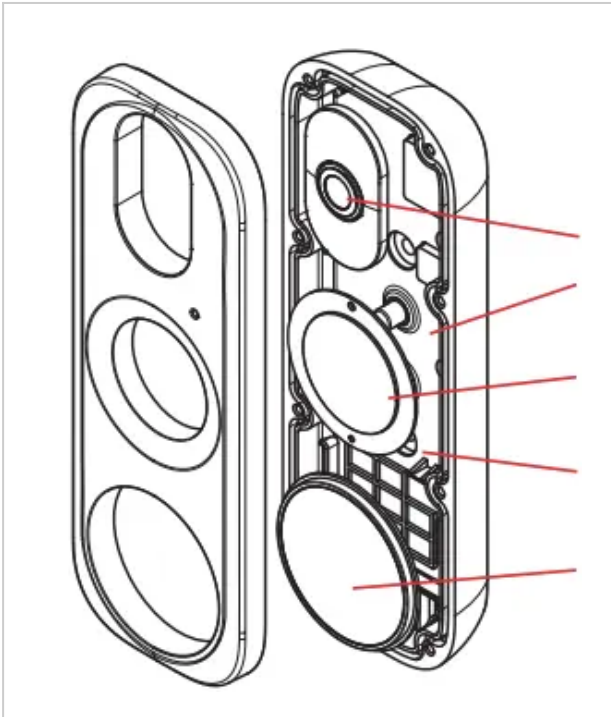
Storage Status lets you format the inserted memory card. A dot next to this item in the menu means that the SD card requires attention.

Device Version shows you the firmware version of the doorbell camera. A dot next to this item in the menu means that a firmware update is available. Choose this option and

following the instructions to update. Image Encryption increases the security of the video from the doorbell camera. This option is on by default.

TOUR OF THE DOORBELL CAMERA

FRONT



Lens captures video in front of the doorbell.

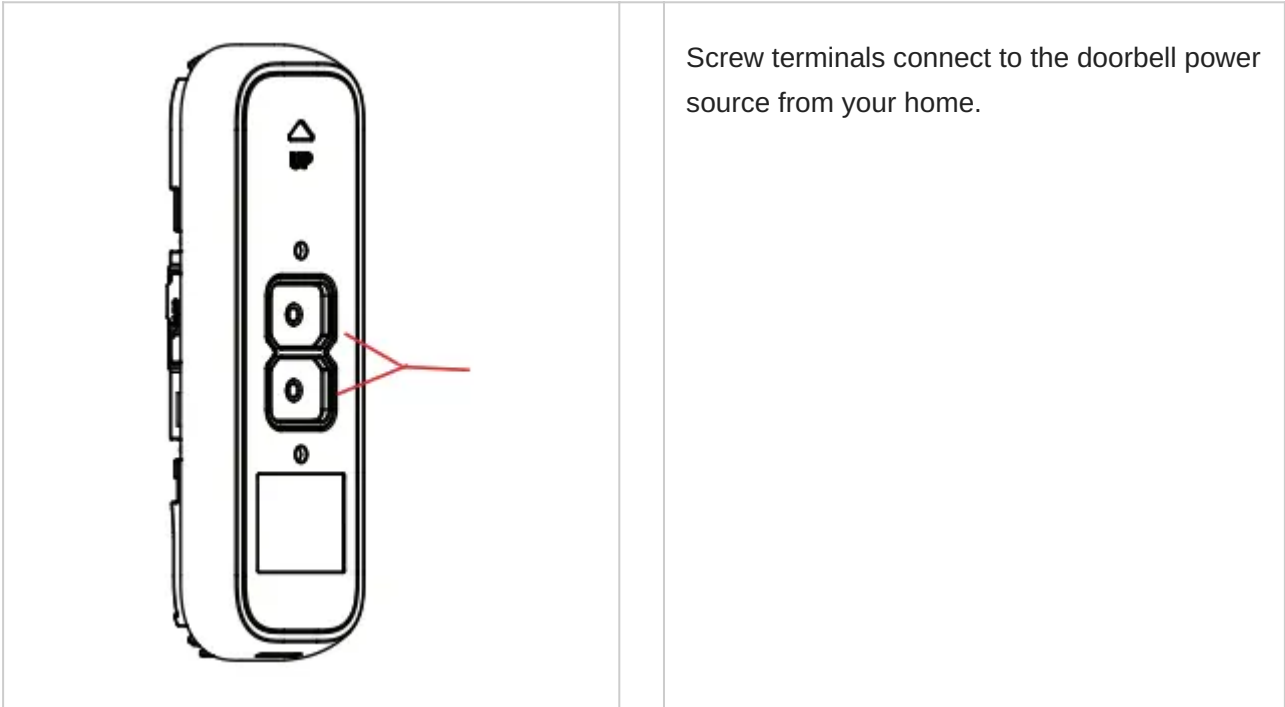
Micro SD card slot holds the micro SD card that comes with your doorbell camera.

IR sensor detects changes in ambient light and adjusts video settings accordingly.

RESET button restores the doorbell camera to factory settings (hold for 15 seconds).

Call button triggers the doorbell.

BACK



Removing/Replacing the SD Card

Your doorbell camera comes with an SD card pre-installed, for recording alerts. To remove or replace this card, you'll first need to remove the doorbell camera's faceplate by unlocking its set screws and pulling it off. Press the installed SD card to unlock it and pull it out. Place the new SD card in and lock it into place. Then place the SD card cover back on and put the doorbell camera's faceplate over the doorbell camera. Finally, insert the set screw and screw it back in place.

If you're having problems setting up...



1 Make sure you install the Power Pack or Resistor

Does your existing doorbell have a chime box?

Yes: Install the included Power Pack on your chime box. Follow the instructions in the Installation Guide.

No: Install the Resistor between your existing doorbell wiring and the video doorbell. Follow the instructions in the Installation Guide.



2 Make sure your WiFi signal is 50% or stronger

Go to where you've installed your doorbell. Put your phone into airplane mode. Then turn on the phone's WiFi and select your network.

Is your WiFi signal at least 50% where you installed your doorbell?

Yes: Go to #3 below.

No: Move your WiFi router closer to your doorbell to provide a stronger signal, or use a WiFi signal booster/extender to increase the strength of the signal near the doorbell.



3 Make sure your WiFi network password is entered correctly

When you're entering the password in the App, press the eyeball icon to show your password and make sure you're typing it in correctly.

Is your WiFi network password entered correctly in the RCA Security App?

Yes: Go to #4 below.

No: Try adding the doorbell to the App again. This time press the eyeball icon next to the password to make sure you're typing it in correctly.

Please be patient with your WiFi network! Certain parts of the WiFi setup, like connecting to your network, could take up to 5-6 minutes to complete.

Got screen freeze? This is probably due to WiFi activity on your network, especially if your network has several devices connected to it. Exit out of the App and start again.



4 Reset your doorbell

Hold the reset button on the bottom of the left side of the doorbell for 15 seconds. DO NOT LET GO until you hear the announcement from the camera that it's resetting. Then follow the steps in the Installation Guide to set up the doorbell again.

Warning

This content is compiled from multiple sources and is provided for reference purposes only. It may not be complete or fully applicable to all situations. If you are unable to resolve your issue, please contact the product manufacturer or an authorized service provider for official support.