

Installation

Step-by-step installation

STEP 1 Select a location

Location requirements:

- A solid, level surface without carpeting or flooring that may obstruct ventilation
- No direct sunlight
- Adequate room for ventilation and wiring
- Ambient temperature always higher than the freezing point (32 °F/0 °C)
- Away from heat sources

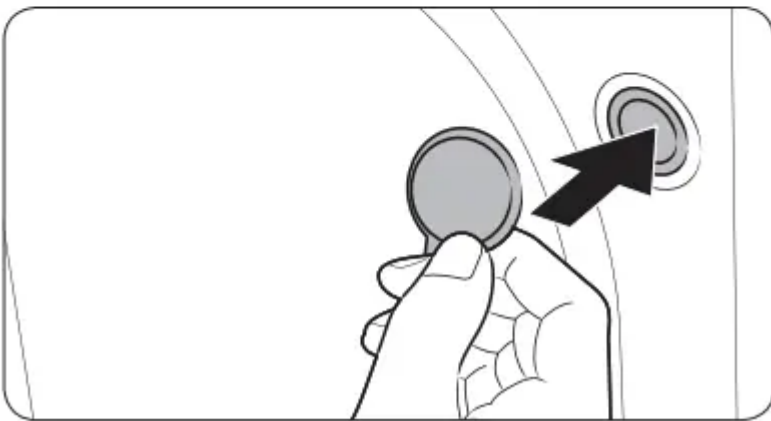
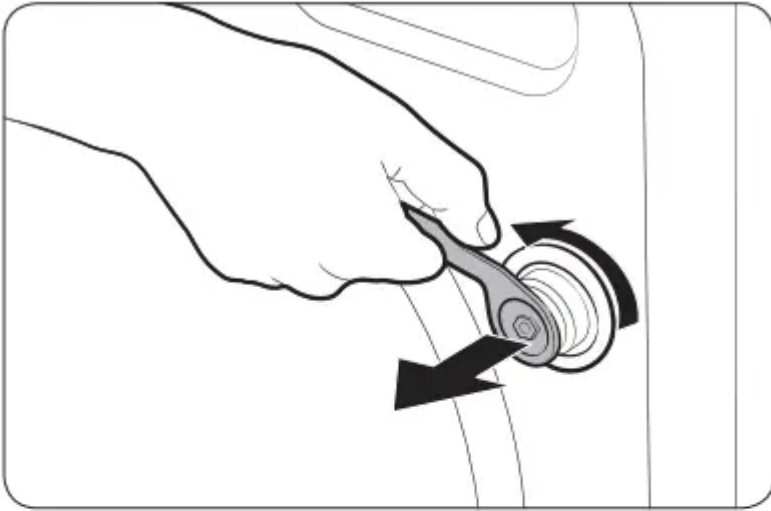
STEP 2 Remove the shipping bolts


Unpack the product package and remove all shipping bolts.

1. Loosen all shipping bolts on the rear of the machine using the spanner.

NOTE An adjustable wrench or 10 mm openend wrench is required for removing the shipping bolts.

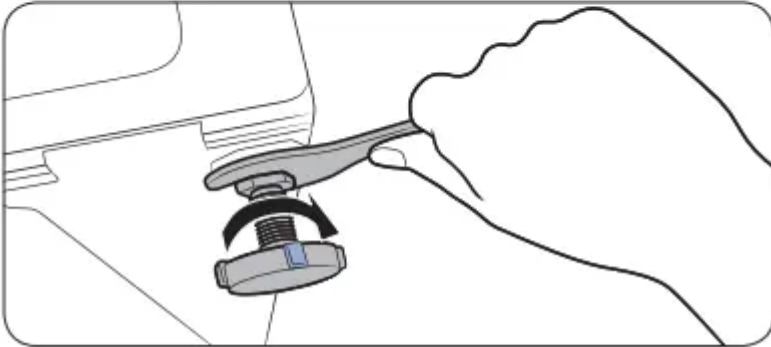
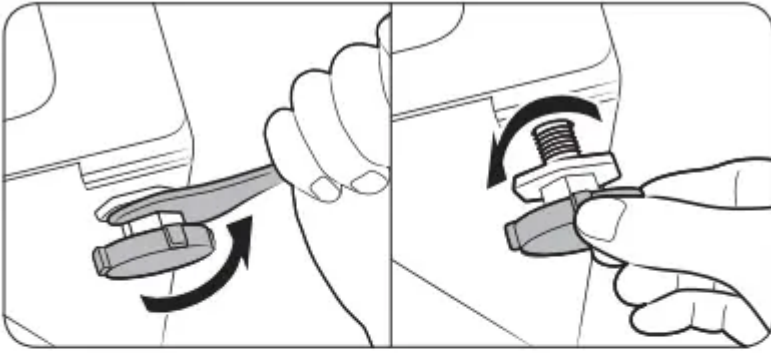
2. Fill the holes with the supplied plastic bolt caps. Keep the shipping bolts for future use.



 **WARNING** Packaging materials can be dangerous to children. Dispose all packaging material (plastic bags, polystyrene, etc.) out of children's reach.

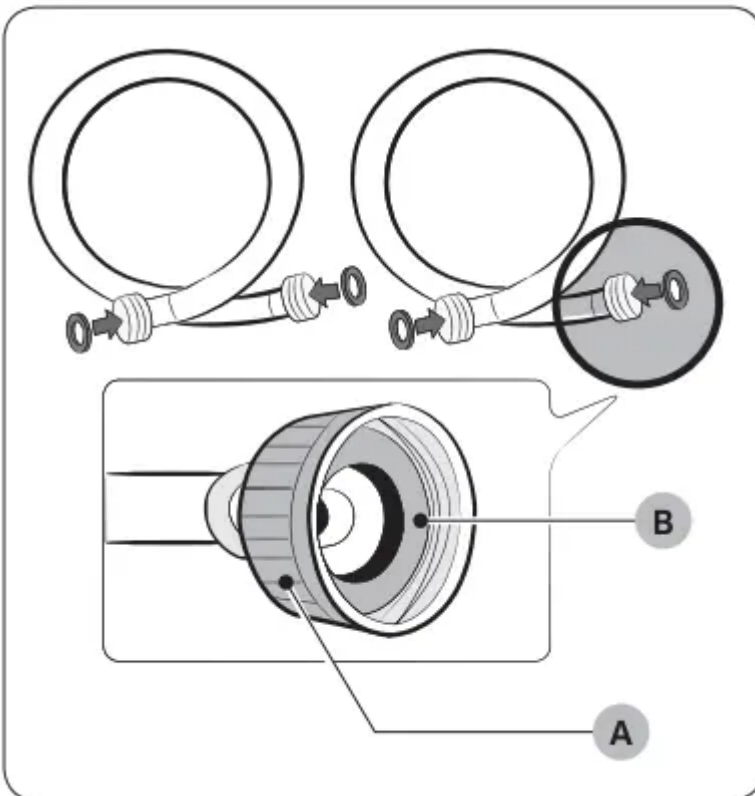
STEP 3 Adjust the levelling feet

1. Gently slide the washer into position. Excessive force may damage the levelling feet.
2. Level the washer by manually adjusting the levelling feet.
3. When levelling is complete, tighten the nuts using the spanner.



NOTE An adjustable wrench or 17 mm openend wrench is required to loosen or tighten the leveling feet.

STEP 4 Connect the water hose



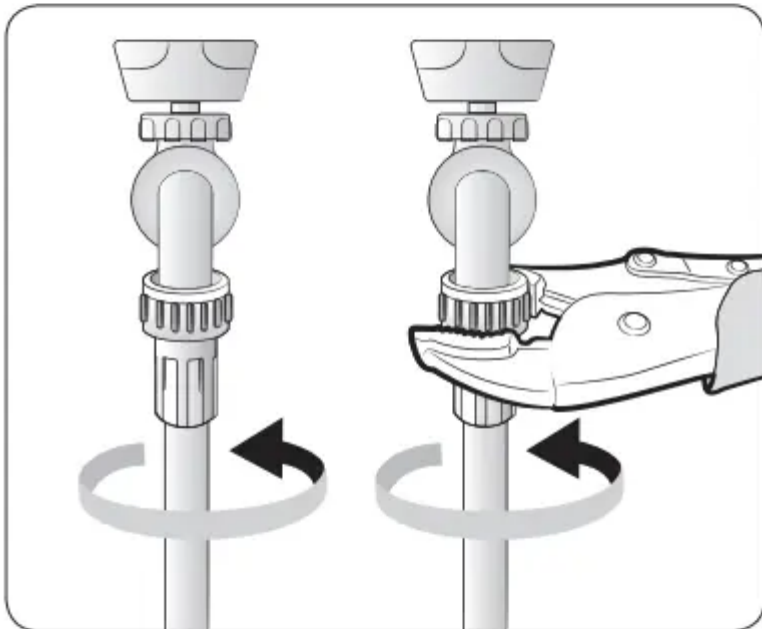
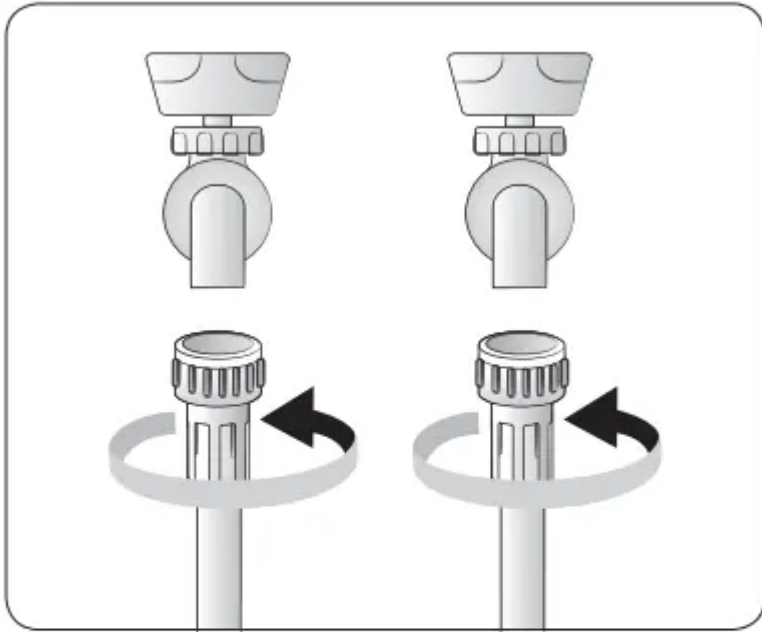
 **CAUTION**



- Make sure you use a new water hose, and there are rubber gaskets (B) inside the couplings (A) at either end of the water hose. A water hose without the gasket may leak.
- If there is a water leak, stop using the washer and contact a local Samsung service center. A water leak may cause electric shock.
- Do not stretch the water hose by force. If the hose is too short, replace the hose with a longer, high-pressure hose.
- To prevent leaks, make sure both water hoses are not bent or kinked. A water leak may cause electric shock.

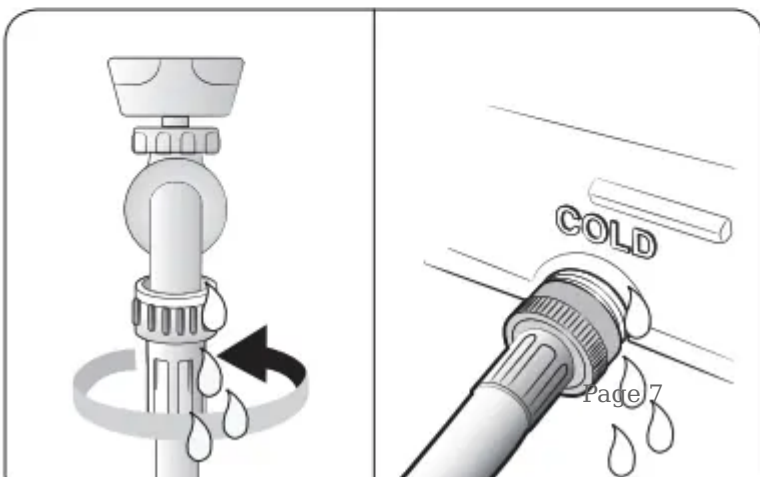
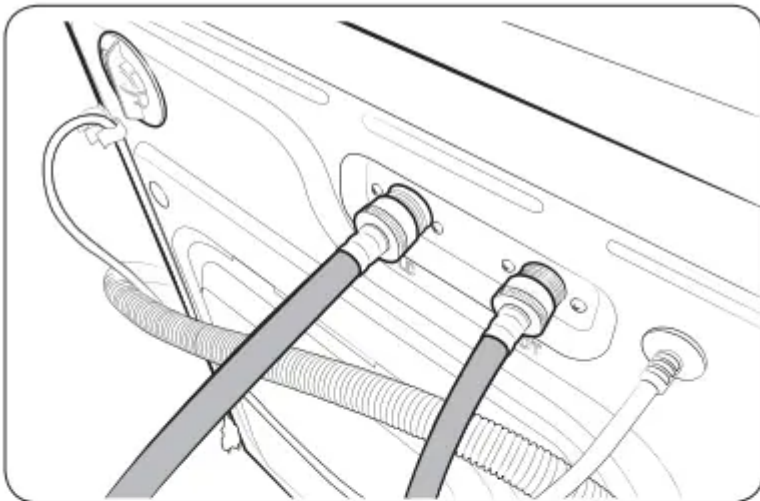
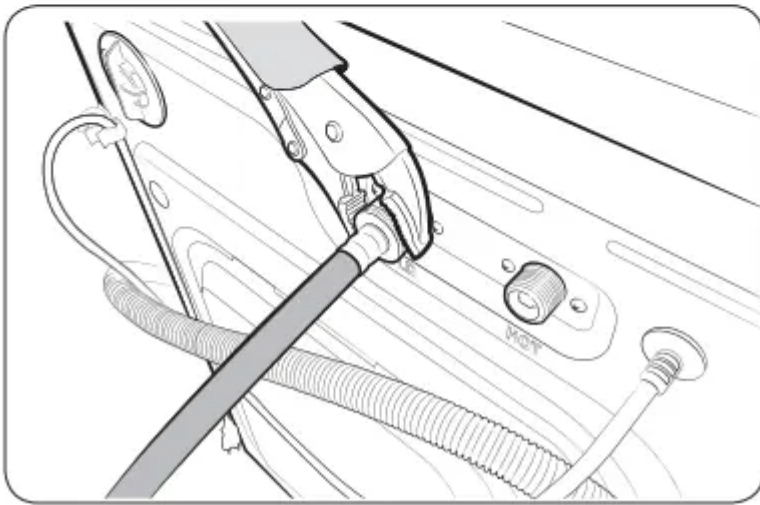
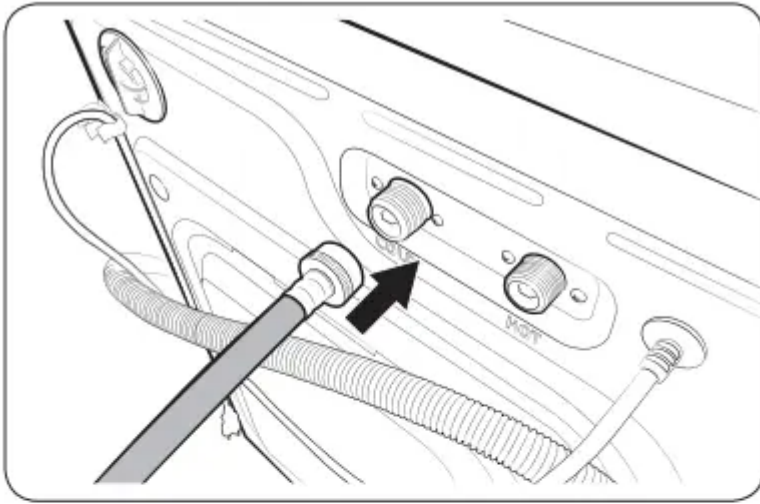
To connect the water hoses to the faucets:

1. Connect one end of each water hose to the Hot or Cold tap.
2. Turn the fittings by hand until they are tight, and then tighten them by just an additional two-thirds of a turn with a plier. Do not overtighten the fittings. You can damage them.
3. When done, pull the water hoses up and down to check if they are properly connected.



4. Put the other ends of the hoses into a bucket and open the taps for 10-15 seconds to remove impurities. When done, close the taps.
5. Connect the other ends of the water hoses to the corresponding inlets on the rear of the machine as specified. Make sure the hot water hose is connected to the hot inlet, and the cold water hose to the cold inlet.
6. Repeat step 2 above on the other fittings. Make sure both water hoses are connected properly. See the '4C' information code for troubleshooting.
7. Open both faucets, and check if there is a leak.





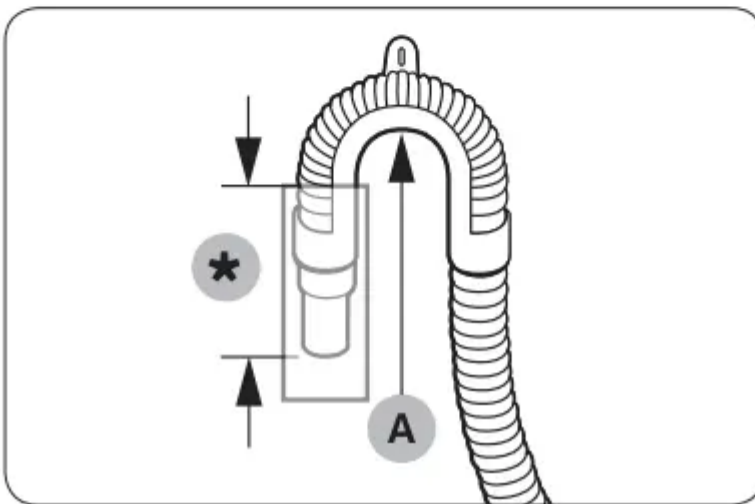
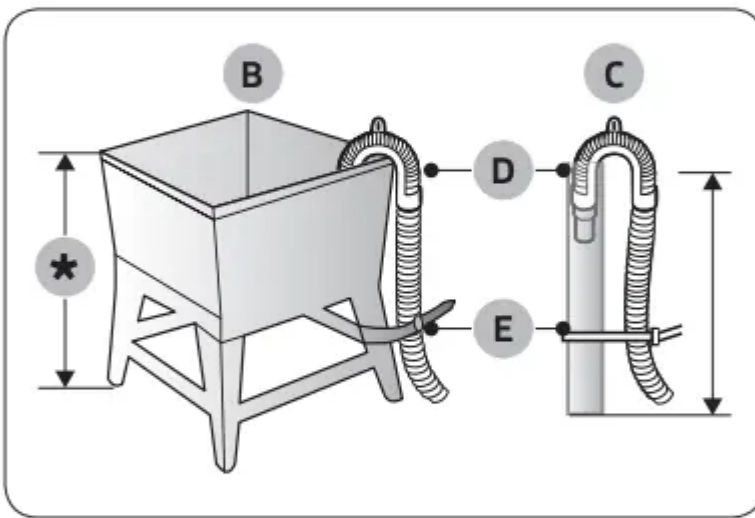
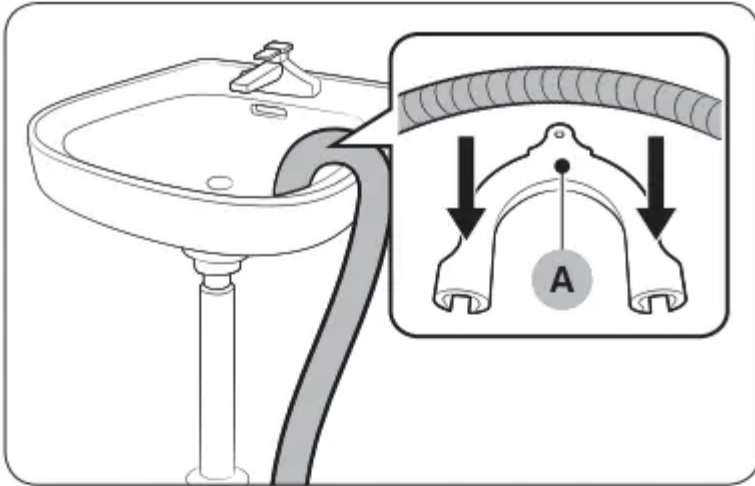
NOTE If you do not want to use the hot water hose, insert the inlet cap into the hot water inlet. In this case, you must select Tap Cold for the water temperature. All other water indicators turn off.



CAUTION To prevent water hoses from being bent or kinked, make sure there is at least a 6 inch (150 mm) space between the washer and the rear wall.

STEP 5 Position the drain hose

The drain hose can be positioned in three ways:



Over the edge of a wash basin

The drain hose must be placed at a height of between 24 in. (60 cm) and 35 in. (90 cm) from the floor. To keep the spout of the drain hose bent, use the supplied plastic hose guide (A). Secure the guide to the wall using a hook to ensure stable drainage.

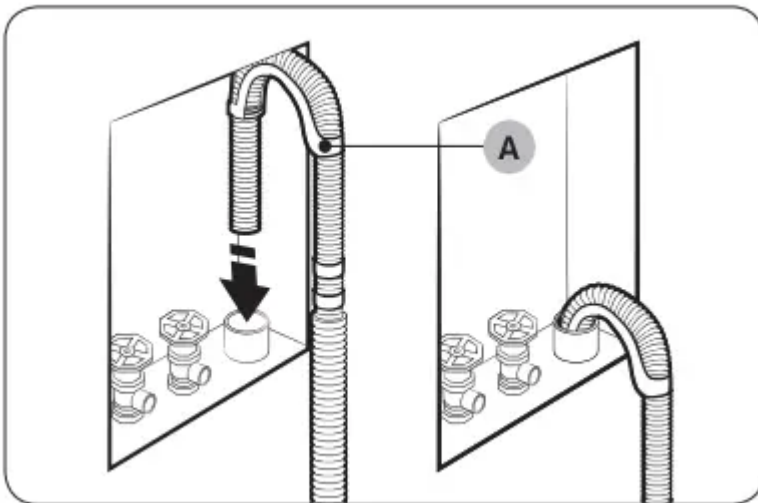
In a standpipe or laundry tub

The laundry tub (B) or standpipe (C) must be no shorter than 18 in. (46 cm) and no higher or longer than 96 inches (245 cm). Make sure the drain hose and the standpipe are not airtight.

NOTE D: Hose retainer / E: Tie straps *

CAUTION

- Connect the hose guide (A) within 6 in. (15 cm)* of the end of the drain hose. If the drain hose is extended beyond the end of the hose guide, mold or microorganisms could spread inside the washer.
- The drain hose can be installed up to 96 in. (245 cm) high, but the draining capability can be reduced at the maximum height. Water remaining in the drain system may cause an odour.
- If the drain hose is installed less than 18 in. (46 cm) high, water can be drained during the process due to a siphon phenomenon. If this happens, a '4C' information code appears on the display.



Wall standpipe drain system

The drain hose must be placed into a wall standpipe drain system. To keep the end of the drain hose bent, use the supplied hose guide (A). Secure the guide to the wall using a hook to ensure stable drainage.

STEP 6 Power on

Plug the power cord into an AC 120 V / 60 Hz approved electrical outlet protected by a fuse or circuit breaker. Then, press Power to turn on the washer.

STEP 7 Wi-Fi connection using the Smart Home Adapter

You can control the washing machine remotely using the Smart Home Adapter (sold separately), your home network, an Android or iOS smart phone, and the Samsung Smart Home app. To

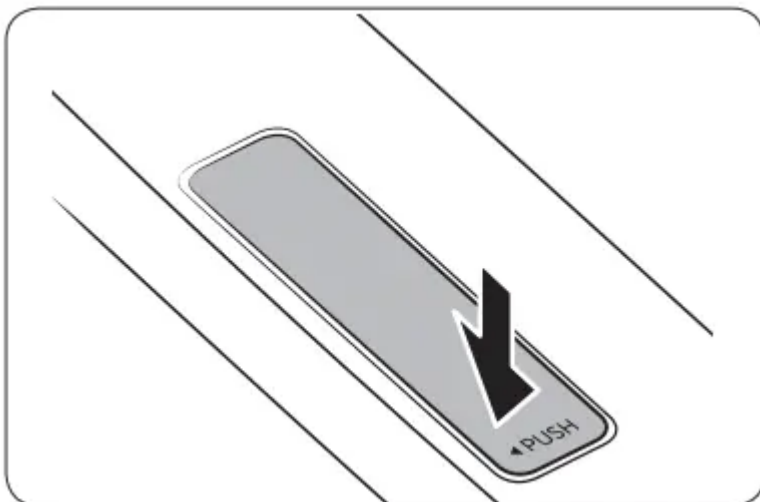
purchase the Smart Home Adapter, visit www.samsung.com and go to the WF45K6200/ WF45K6500 product page or search for Smart Home Adapter. For more information about connecting the washer to your home Wi-Fi network with the Smart Home Adapter, see the Samsung Smart Home section of this manual.

 **CAUTION**

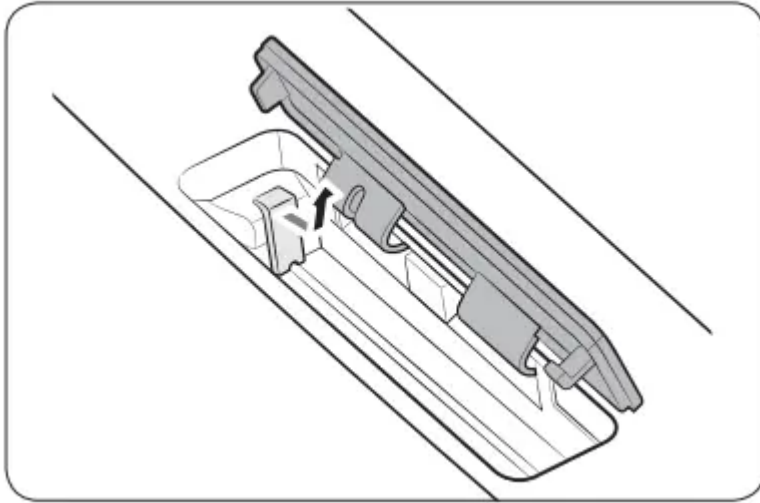
- There are two types of Samsung Smart Home Adapters, one that is used with Samsung Smart TVs and one that is used with Samsung home appliances.
- For your washer, you must purchase the Adapter that is restricted to HD39*1230*W models (home appliances). Use of any other adapter can cause system failure.


To install the Samsung Smart Home Adapter, follow these steps:

1. To unlock the adapter cover, press the cover to the left of the word PUSH as shown in the illustration.

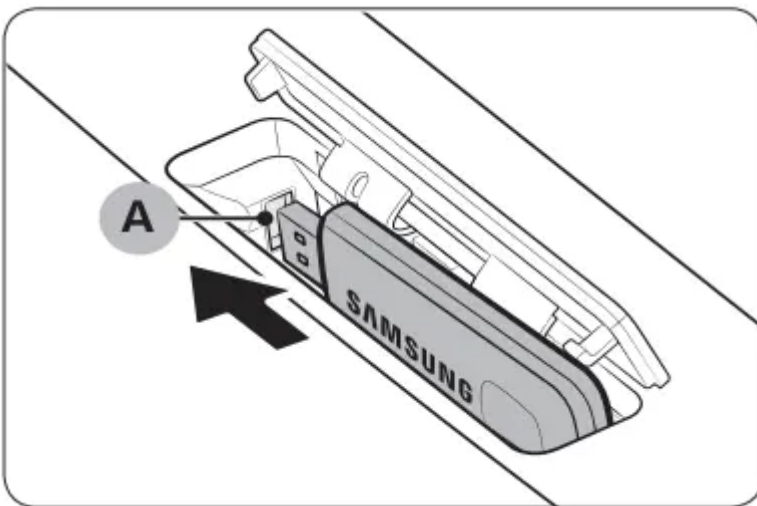



2. Open the adapter cover to reveal the protective cap of the adapter. Gently pull the cap to the right and lift up to remove.



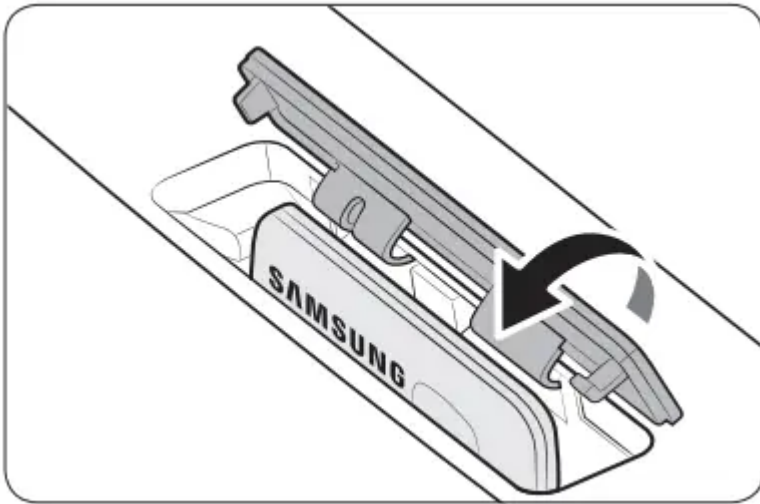
 **CAUTION** To prevent accidents, keep the protective cap out of children's reach and away from pets.

3. Insert the SmartHome Adapter into the Adapter port (A) in the correct direction. Make sure the Samsung logo faces forward.



 **CAUTION** Do not insert other USB devices such as USB memory sticks or USB power cables into the port. Incorrect use of the port may damage the Samsung Smart Adapter, causing system failure

4. Insert the upper area of the adapter cover first, and then press to lock as shown.



CAUTION To prevent device damage or system failure, keep moisture away from the adapter cover. If the adapter cover gets wet or stained, use a soft cloth or sponge to wipe up the moisture or wipe away the stain, and then dry well.

Network connection (applicable models only)

You can use the optional SmartHome Adapter (sold separately) to control and monitor your washing machine through the Samsung Smart Home app. For more information about Samsung Smart Home, see the Samsung Smart Home section in this manual.

NOTE

- Recommended encryption systems include WPA/TKIP and WPA2/AES. Any newer or non-standard Wi-Fi authentication protocols are not supported.
- Wireless networks may be affected by the surrounding wireless communication environment.
- If your Internet service provider has registered the MAC address of your PC or modem for identification, your Samsung Smart washing machine may fail to connect to the Internet. If this happens, contact your Internet service provider for technical assistance.
- The firewall settings of your network system may prevent your Samsung Smart washing machine from accessing the Internet. Contact your Internet service provider for technical assistance. If this symptom continues, contact a local Samsung service center or retailer.
- To configure the wireless access point (AP) settings, see the user manual of the AP.
- Samsung Smart washing machines featuring the Samsung SmartHome Adapter support both Wi-Fi 2.4 GHz with IEEE 802.11 b/g/n and Soft-AP protocols. (IEEE 802.11 n is recommended.)
- Unauthorized Wi-Fi wireless routers may fail to connect to applicable Samsung Smart washing machines.
- If the washer is installed in a basement or communication with your network is poor, you need to install a Wi-Fi signal booster/repeater or a more powerful router.

Before you start

Initial settings

Run Calibration (recommended)

Calibration ensures accurate weight detection by the washer. Make sure the drum is empty before running Calibration.

1. Press Power to turn on the washer.
 2. Press and hold Temp. and Delay End simultaneously for 3 seconds.
 3. Press Start/Pause to start Calibration.
- The door is locked during the operation.
 - The drum keeps rotating clockwise and anticlockwise for several minutes.
4. When complete, the washer turns off automatically

Laundry guidelines

STEP 1 Sort

Sort the laundry according to these criteria:

- Care Label: Sort the laundry into cottons, mixed fibres, synthetics, silks, wools, and rayon.
- Color: Separate whites from colors.
- Size: Mixing different sized items together in the drum improves the washing performance.
- Sensitivity: Wash delicate items separately for pure, new woollen items, curtains, and silk items.

Check the labels on the items.

NOTE Make sure to check the care label on all clothing, and sort clothing accordingly before starting the wash

STEP 2 Empty pockets

Empty all the pockets of your laundry items

- Metal objects such as coins, pins, and buckles on clothing may damage other laundry items as well as the drum. Turn clothing with buttons and embroideries inside out
- If pants or jacket zippers are open while washing, the drum may be damaged. Zippers should be closed and fixed with a string.
- Clothing with long strings may become entangled with other clothes. Make sure to tie the strings before starting the wash.

STEP 3 Use a laundry net

- Brassieres (water washable) must be placed in a laundry net. Metal parts of the brassieres may break through and tear other laundry items.
- Small, light clothing such as socks, gloves, stockings, and handkerchiefs may become caught around the door. Place them inside a fine laundry net.
- Do not wash the laundry net by itself without other laundry. This may cause abnormal vibrations that could move the washer and result in injury.

STEP 4 Prewash (if necessary)

Select the Prewash option for the selected cycle if the laundry is heavily soiled. Do not use the Prewash option if you will be adding detergent manually to the drum.

STEP 5 Determine the load capacity

Do not overload the washer. Overloading may cause the washer to wash improperly.

NOTE When washing bedding or bedding covers, the wash time may be lengthened or the spin efficiency may be reduced. For bedding or bedding covers, the recommended maximum spin level is “Low or Medium Spin”, and the load capacity is 3.0 kg or less.

CAUTION If the laundry is unbalanced and the “Ub” information code is displayed, redistribute the load. Unbalanced laundry may reduce the spinning performance.

STEP 6 Add the correct detergent type

The type of detergent depends on the type of fabric (cotton, synthetic, delicate items, wool), color, wash temperature, and degree of soiling. Always use “low suds” HE laundry detergent which is designed for automatic washers.

NOTE

- Follow the detergent manufacturer’s recommendations based on the weight of the laundry, the degree of soiling, and the hardness of the water in your local area. If you are not sure about the water hardness, contact a local water authority.
- Do not use detergent that tends to be hardened or solidified. This detergent may remain after the rinse cycle, blocking the drain outlet.

CAUTION When washing wool using the WOOL, use only a neutral liquid detergent. If used with WOOL, powder detergent may remain on the laundry and discolor the laundry.

Use HE detergent only



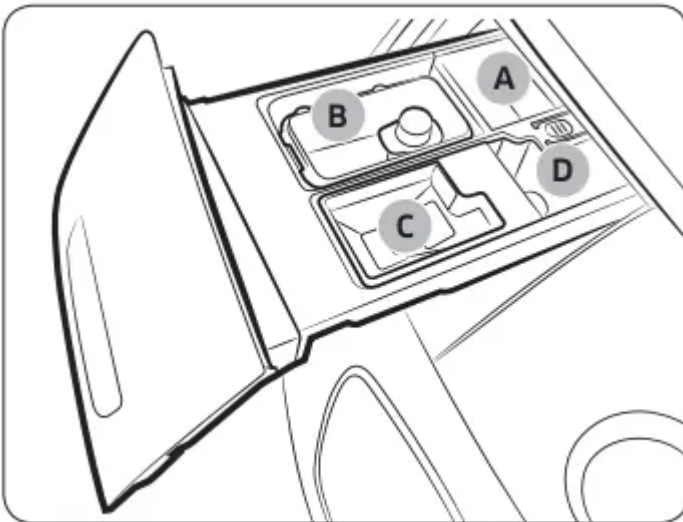
Your washer is designed to use high efficiency (HE) detergents.

- For the best cleaning results, use a high efficiency detergent such as Tide HE, Wisk HE, Cheer HE or Gain HE*. High efficiency detergents contain suds suppressors that reduce or eliminate suds. When fewer suds are produced, the load tumbles more efficiently and cleaning is maximized. (* Brand names are trademarks of their respective manufacturers.)

WARNING Regular detergent is not recommended. Use HE detergents only

Detergent drawer guidelines

The washer provides a four-compartment dispenser: the front-left compartment for the main wash, the rear-left for pre-wash, the front-right for fabric softeners, and the rearright for the liquid chlorine bleach



1. Prewash compartment(A): Add prewash detergent or starch.
2. Main-wash compartment(B): Add mainwash detergent, water softener, soaking detergent, color–safe, non–chlorine bleach, and/or stain removers.
3. Softener compartment(C): Add fabric softener. Do not exceed the max line.
4. Bleach compartment(D): Add liquid chlorine bleach. Do not exceed the max line.

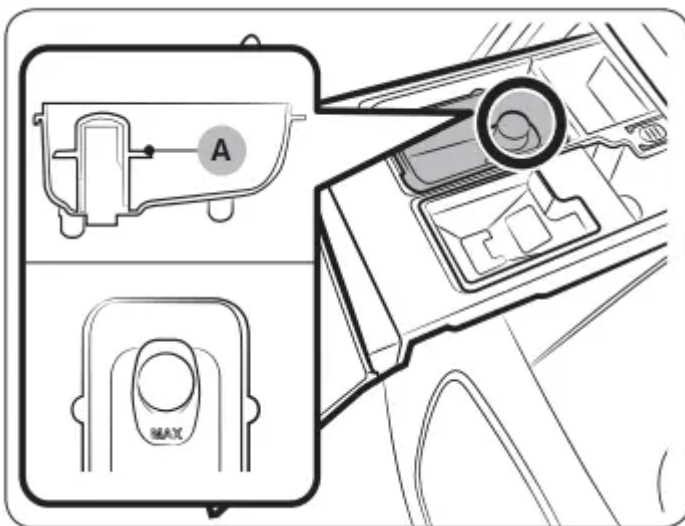
CAUTION

- Do not open the detergent drawer while the washer is operating.
- Do not use the following types of detergent:
 - Tablet or capsule types
 - Ball or net types
- To prevent the compartment from clogging, concentrated or highly-enriched agents (fabric softener or detergent) must be diluted with water before being added.

To add washing agents to the detergent drawer

Adding liquid detergent

1. Slide open the detergent drawer.
2. Add the liquid laundry detergent to the liquid detergent container in the mainwash compartment. Make sure that the detergent does not exceed the marked max line (A).

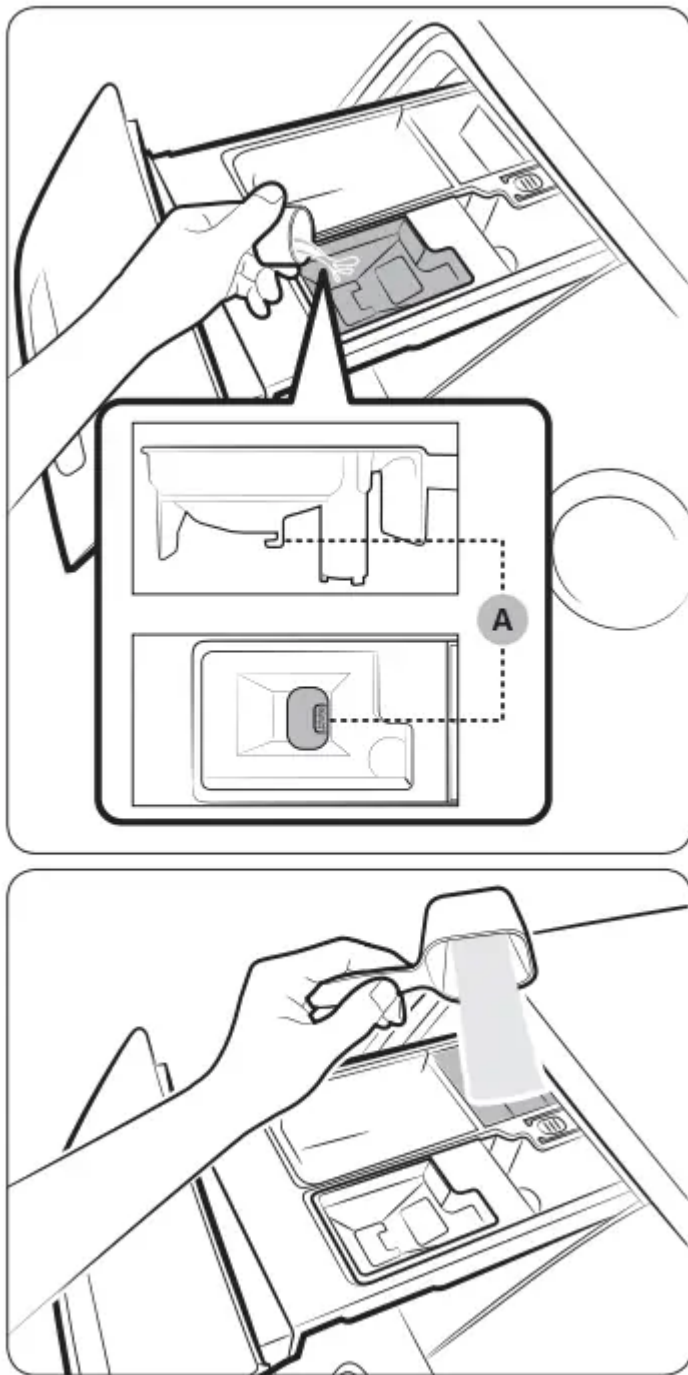


NOTE

- Do not add powdered laundry detergent or other powdered laundry agents to the liquid laundry container.
 - To use powdered detergent, see page 32.
3. Add fabric softener to the softener compartment. Do not exceed the max line (A).

CAUTION

- Powdered fabric softener is not recommended. Use liquid fabric softener only.
- Concentrated fabric softener must be diluted with water before being added.
- Do not add main-wash detergent to the softener compartment.

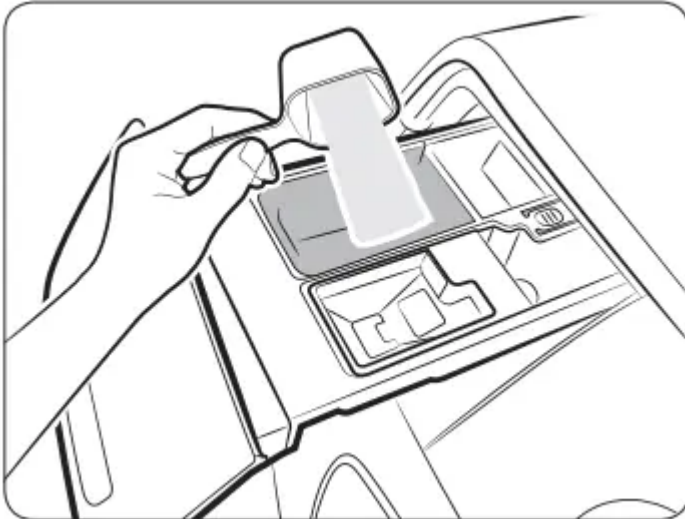


4. If you want to prewash, add prewash detergent to the prewash compartment as instructed or recommended by the manufacturer.

NOTE If you use a high efficiency (HE detergent, apply 1/3 of the recommended amount to the prewash compartment and 2/3 of the recommended amount to the mainwash compartment.

5. Close the detergent drawer.

To use powdered detergent

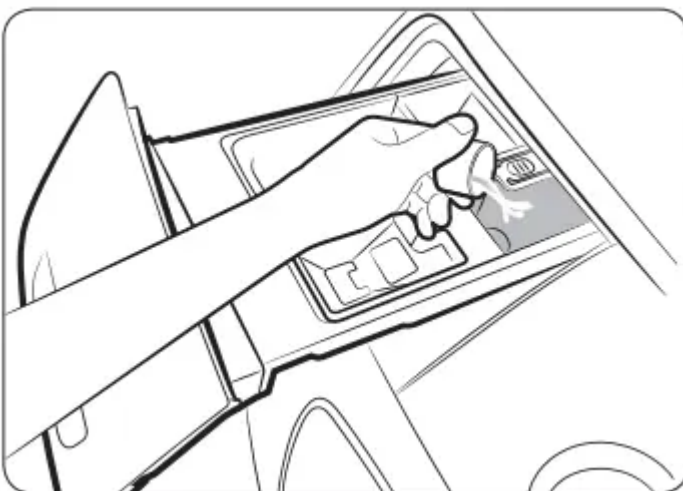


First, remove the provided liquid detergent container from the mainwash compartment. Then, add powdered detergent to the mainwash compartment according to the detergent manufacturer's instructions.

CAUTION Do not add powdered detergent to the liquid detergent container.

To use the bleach compartment

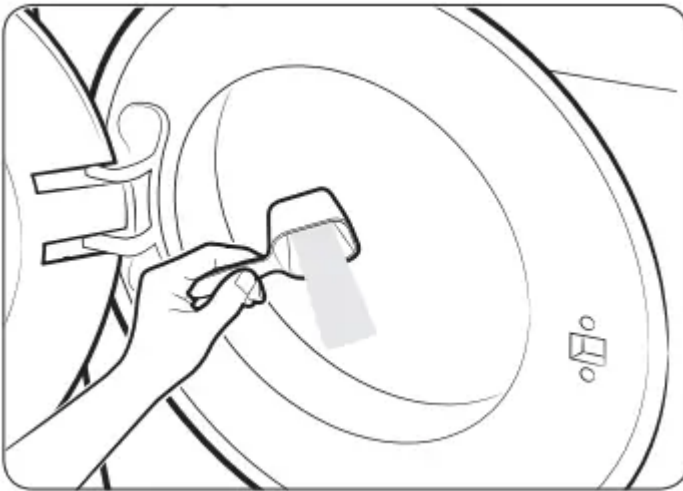
Add only liquid chlorine bleach to the bleach compartment. Do not exceed the max line.



CAUTION Do not add undiluted liquid chlorine bleach directly to the load or to the drum. It is a powerful chemical and can cause fabric damage, such as weakening of the fibers or color loss if not use properly.

To use oxigen boosters or color-safe bleach

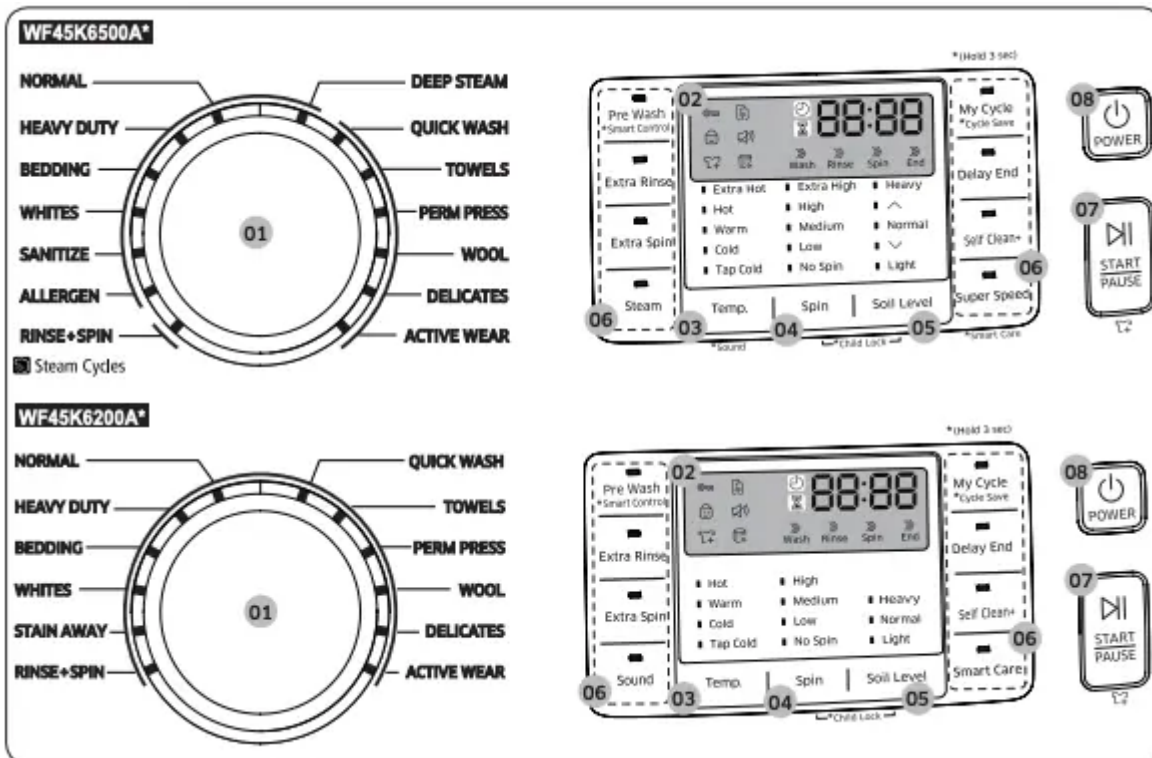
Oxygen boosters or color-safe bleach can increase washing performance. Make sure to add the oxygen booster or color-safe bleach after putting the laundry into the drum.



NOTE To use both powder detergent and powder oxygen booster or powder color-safe bleach, it is more effective to put them together into the drum before loading the laundry.

Operations

WARNING To reduce the risk of fire, electric shock, or injury to persons, read the IMPORTANT SAFETY INSTRUCTIONS before operating this appliance.



01 Cycle Selector

Turn the dial to select a cycle.

02 Display

The display shows current cycle information and estimated time remaining, or an information code when a problem occurs.

03 Temp.

Press to change the water temperature for the current cycle.

- Extra Hot: Heavily soiled, colorfast items. Only available with NORMAL, HEAVY DUTY, and SANITIZE. (only for WF45K6500A* model)
- Hot: Whites and heavily soiled, colorfast items.
- Warm: Colorfast items.
- Cold: Brightly colored, very lightly soiled items. The washer supplies additional hot water or uses the heater to warm up the water if it is below 60 °F (16 °C)
- Tap Cold: Uses only cold water without using the heater. No warm water is supplied.

04 Spin

Press to change the spinning speed for the current cycle.

- Extra High: Extends the spinning process to effectively remove moisture from the load. (only for WF45K6500A* model)

NOTE Extra High uses a stronger spinning process to remove moisture, so it is not suitable for wrinkle-free or no-iron fabrics, or overloads.


- High: Underwear, t-shirts, jeans and sturdy cottons. • Medium: Jeans, wrinkle-free or wash-and-wear items and synthetics.
- Low: Delicate items that requires a lower spinning speed.
- No Spin: The drum does not spin after the final drain process.
- Rinse Hold (No lamp turns on): The final rinse process is suspended so that the laundry remains in the water. To unload the laundry, run a drain or spin process.

NOTE

Spin Only: This cycle runs a spin cycle only. Press and hold Spin for 3 seconds. With the cycle time on the display, press Spin repeatedly until a desired spinning speed is selected. Then, press Start/Pause to start the cycle. This cycle is available only when no specific cycle is selected

05 Soil Level

Press the button to select the soil level/washing time.

- Heavy: For heavily soiled loads.
-  (only for WF45K6500A* model)
- Normal: For moderately soiled loads. This setting is best for most loads.

- ▼ (only for WF45K6500A* model)
- Light: For lightly soiled loads.

06 Options

Press the buttons to select different cycle options.

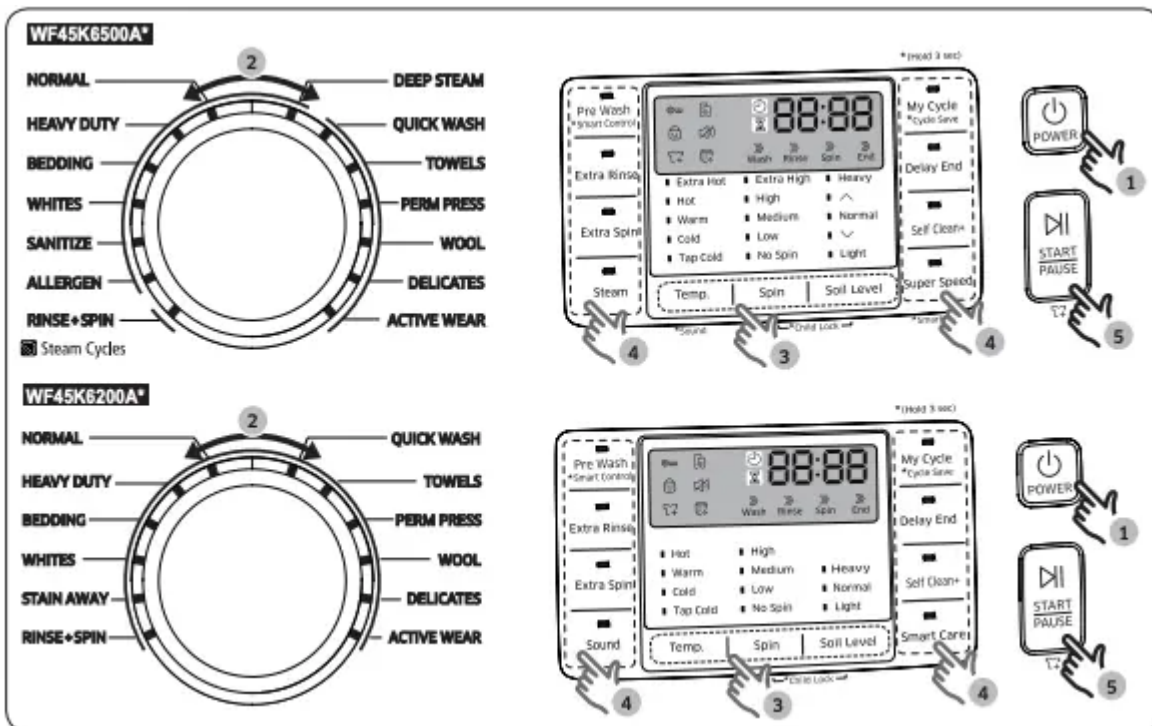
07 Start/ Pause

Press to start or stop operation.

08 Power

Press to turn on/off the washer.

Simple steps to start



1. Press Power to turn on the washer.
2. Turn the Cycle Selector to select a cycle.
3. Change the cycle settings (Temp., Spin, and Soil Level) as necessary.
4. Select desired options as necessary.
5. Press Start/Pause.

To change the cycle during operation

1. Press Start/Pause to stop operation.
2. Select a different cycle.

3. Press Start/Pause again to start the new cycle.

WARNING Do not place anything on top of your washer while it is running

Cycle overview

Standard cycles

NORMAL

- For most fabrics including cottons, linens, and normally soiled items.

HEAVY DUTY

- For sturdy, colorfast fabrics and heavily soiled items.

BEDDING

- For bulky items such as comforters, blankets, and sheets.
- For best results, wash only 1 type of bedding.
- For bulky items, use liquid detergent and do not roll the items when you place them in the drum because they might get stuck.

WHITES

- For white items with or without bleach.

SANITIZE

- For heavily soiled, colorfast items. This cycle heats the water to 150 °F to eliminate bacteria. (only for WF45K6500A* model)

NOTE If you press Start/Pause during the heating portion of Sanitize cycle, your washer door will remain locked for your safety.

ALLERGEN

- This cycle removes dust mites, pet dander, and other allergy causing substances from fabric. (only for WF45K6500A* model)

STAIN AWAY

- For stained clothes. This cycle provides outstanding stain removal performance. For Best stain removal performance, use hot temperature option in this cycle.(only for WF45K6200A* model)

RINSE+SPIN

- Use for loads that need rinsing only or to add rinse-aided fabric softener to a load.

DEEP STEAM

- For heavily soiled, colorfast items. This cycle uses steam and a high water temperature to effectively remove stains. (only for WF45K6500A* model)

QUICK WASH

- For lightly soiled items needed quickly.

TOWELS

- For bath towels, washcloths, and mats.

PERM PRESS

- For wash-and-wear, synthetic fabrics, and lightly to normally soiled items.

WOOL

- For machine-washable wool. Loads should be under 8 pounds. For best results, we recommend a load of 4.4 pounds or less.
- The Wool cycle washes laundry by moving the wash drum horizontally to maintain the characteristics of the wool fibers and to prevent damage to the cloth. It then stops for a period of time to allow the laundry to soak in the water after which it re-starts.
- We recommend you use a neutral detergent to prevent damage to the cloth and to improve the washing results.

DELICATES

- For sheer fabrics, bras, lingerie (silk), and other handwashonly fabrics.
- For best performance, use liquid detergent.

ACTIVE WEAR

- Use this cycle to wash exercise wear such as sports jerseys, training pants, shirts/tops and other performance clothing. This cycle provides effective soil removal with gentle action for special fabric care.

Options

Pre Wash

- This option adds a preliminary washing process before the main wash cycle.
 - a. Add detergent to the pre-wash section of the detergent compartment.
 - b. Turn the Pre Wash option on. The washer fills with cold water and detergent, tumbles, then drains and advances to the selected wash cycle.

NOTE This option is not available with some cycles.

Extra Rinse

- Adds an additional rinse at the end of the cycle to remove laundry additives more thoroughly.

Extra Spin

- Adds additional spin time to remove more water from loads.

Steam

- Press this button to use the Steam function. Steam is available with the NORMAL, HEAVY DUTY, BEDDING, WHITES, SANITIZE, DEEP STEAM and ALLERGEN. For heavily soiled, colorfast items, the Steam function improves stain treatment and uses less water. (only for WF45K6500A* model)

Sound

- When you activate Sound off function, the “ ” lamp illuminates.

My Cycle

- Create your own washing cycle with preferred settings and use the cycle with a single button push.

Delay End

- Set the washer to finish your wash automatically at a later time. Choose a delay of between 1 to 24 hours (in 1 hour increments).

Self Clean+

- Cleans the drum by removing dirt and bacteria from the drum.
- Perform once every 40 washes with no detergent or bleach added.
- Make sure the drum is empty.
- Do not add any drum cleaning agents.

Super Speed

- Press this button if you need to shorten the washing time, applicable for NORMAL, DEEP STEAM, HEAVY DUTY, BEDDING or ALLERGEN. The shortened time may differ depending on the selected cycle/load/options. (only for WF45K6500A* model)

Smart care


- This function enables you to check the status of the washing machine using a smartphone.

Smart Control

- After you have inserted the Smart Home Adapter and connected the washer to your home network using the Samsung Smart Home app, you can control the washer remotely. To begin, press and hold Smart Control for 3 seconds. The Smart Control indicator blinks and the door locks. The washer enters the waiting for remote commands mode For more information, visit the Samsung Smart Home website.

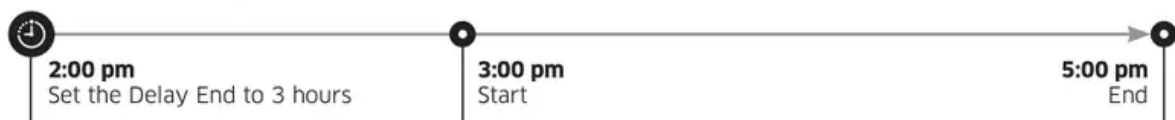
Delay End

You can set the washer to finish your wash automatically at a later time by choosing a delay of between 1 to 24 hours (in 1 hour increments). The hour displayed indicates the time the wash will finish.

1. Select a cycle. Then, change the cycle settings if necessary.
2. Press Delay End repeatedly until a desired end time is set.
3. Press Start/Pause. The indicator  turns on with the clock running.
4. To cancel Delay End, restart the washer by pressing Power.

Real-life case

You want to finish a two-hour cycle 3 hours from now. To do this, you add the Delay End option to the current cycle with a 3-hour setting, and then press Start/Pause at 2:00 p.m. The washer starts operating at 3:00 p.m. and ends at 5:00 p.m. Provided below is the time line for this example.



Steam (only for WF45K6500A* model)

With the Steam cycle, the washer senses the weight of the load and controls the steam effect according to the load size. This improves washing performance. Available Steam cycles are: NORMAL, HEAVY DUTY, BEDDING, WHITES, SANITIZE, ALLERGEN, and DEEP STEAM.


1. Turn the Cycle Selector to select a Steam cycle.
2. Press Steam.
3. Add detergent and fabric softener as instructed.
4. Press Start/Pause to start the cycle.

NOTE

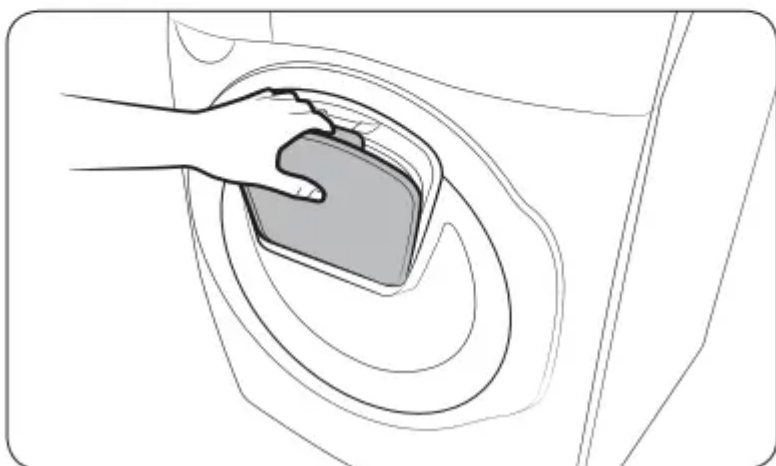
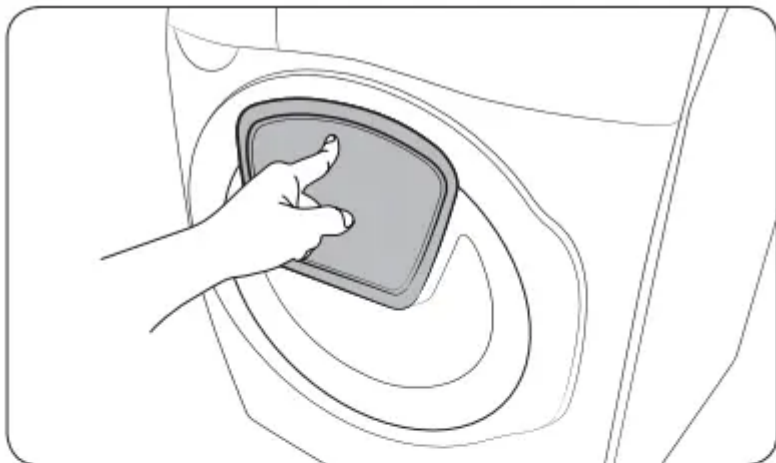
- Steam may not be visible or present during the cycle. This is normal.
- Unlike other Steam cycles, you don't need to press Steam for DEEP STEAM as the Steam function turns on automatically.

Special features

Add Wash 

When the Add Wash  indicator turns on, you can stop the washer and put additional laundry into the drum. The Add Door opens by more than 100° for easy access.

1. Press Start/Pause to stop operation.
2. Press the upper area of the Add Door to unlock.



3. Open the Add Door and insert additional laundry into the drum.
4. Lift the Add Door back into place, and then push it gently until you hear a click. The Add Door is locked.
5. Press Start/Pause to resume operation.

NOTE

- The water inside the drum does not leak if the Add Door is closed properly. Water drops may form around the window, but they do not leak from inside the drum.
- After washing is complete, open the Add Door and leave open for some time to dry the drum.

CAUTION

- Do not open the Add Door if suds have formed inside the drum.

- Do not open or touch the Add Door while the machine is operating. The Add Door may be opened unintentionally.
- Do not add an excessive amount of laundry through the Add Door. Performance may be degraded.
- Do not use the lower area of the Add Door as a handle. Your fingers may be caught.
- Make sure that no laundry is caught in the Add Door.
- Keep your pets out of the washer, especially the Add Door.
- Do not open the Add Door while the drying or Steam or Sanitize functions are running. Hot steam may leak out of the window.
- Do not press or push the Add Door when closing the washer door. The Add Door may open.

Child Lock

To prevent accidents by children or infants, Child Lock locks all buttons except for the Power button.

To activate the Child Lock

- Press and hold both Soil Level and Spin for 3 seconds. Then, press Start/Pause to activate. The door locks and the Child Lock indicator turns on.

To deactivate the Child Lock temporarily

- You can deactivate the Child Lock temporarily for 1 minute. To do this, Press and hold both Soil Level and Spin for 3 seconds. The door is unlocked for 1 minute and the Child Lock indicator blinks.

NOTE

- If you open the door 1 minute or more after deactivating Child Lock, an alarm sounds for up to 2 minutes.
- If you close the door within 2 minutes, door locks and Child Lock is reactivated. After 2 minutes, the door does not lock with no alarm sound.
- To add laundry after activating Child Lock, first deactivate Child Lock or restart the washer.

To cancel the Child Lock

- Press and hold both Soil Level and Spin for 6 seconds. The door unlocks and the Child Lock the Child Lock indicator turns off.

My Cycle

Create your own washing cycle with preferred settings and use the with the push of the push of a single button.

To create your own cycle


1. Turn the Cycle Selector to select a cycle.
2. Change the cycle settings (Temp., Spin, and Soil Level) as necessary.
3. To add an option, press the corresponding buttons.
4. Press and hold My Cycle for 3 seconds to save your settings. Applicable indicators blink for 3 seconds. Once you save the cycle, you can use it by pressing My Cycle.

NOTE If you press My Cycle and then release it within 3 seconds, the previously saved cycle and options appear.

Sound (only for WF45K6500A* model)

Mute or unmute the sound (button beeps, indicator beeps and chimes, etc.)

- To mute or unmute the sound, press and hold the Temp. button for 3 seconds. When the sound is

muted, the  indicator turns on.

ATC (Auto Temperature Control)

ATC enables the washer to control water temperatures in each washing cycle using the washer's internal thermistor. It is designed to maintain certain washing temperatures for best results.

NOTE

- If you select NORMAL or HEAVY DUTY, you may notice the washer supplying cold water. This is normal because the machine is designed to reduce power consumption.
- In these cycles, the Hot temperature is similar to bath-water temperatures, and the Warm temperature to comfortable swimming pool temperatures.
- To wash clothes at a specific temperature, you must choose a different cycle first.

Maintenance

Keep the washer clean to prevent its performance from deteriorating and to preserve its life cycle.

Self Clean+

Perform this cycle regularly to clean the drum and to remove bacteria from it.

1. Make sure the drum is empty.
2. Press Power to turn on the washer.
3. Press Self Clean+.
4. Press Start/Pause.

NOTE

- The water temperature for Self Clean+ is set to EXTRA HOT, which cannot be changed. (only for WF45K6500A* model)

- The water temperature for Self Clean+ is set to HOT, which cannot be changed. (only for WF45K6200A* model)

CAUTION Do not use any cleaning agents. Do not add detergent or bleach. Chemical residue in the drum degrades the cleaning performance.

Self Clean+ reminder ()

- The Self Clean+ reminder appears on the main screen once every 40 washes. It is advisable to perform the Self Clean+ regularly.
- If you do not run the cycle within 1 hour when the Self Clean+ reminder appears, the reminder turns off automatically.
- When you first see this reminder, you can ignore the reminder for 6 consecutive washes. From the 7th wash, the reminder no longer appears. However, it appears again on the second 40th wash.

Smart Care

The Smart Care function helps you diagnose and troubleshoot your washer if it has a problem. To enable this function, you must first download the Samsung Smart Washer app from the Play Store or the Apple Store, and install it on a mobile device that has a camera. The Smart Washer Smart Care function has been optimized for: Galaxy and iPhone series devices. (It is not supported by some models.)

As the washer operates, it runs its self-diagnosis function in the background. If it senses a problem, it displays an information code on the display which you can scan using the app's Smart Care function. The Smart Care function will then display detailed information about the code.

1. To enable the Smart Care function.

- Press and hold Super Speed on the washer for 3 seconds to enter the Smart Care mode. (only for WF45K6500A* model)

- Press Smart Care button to enter the Smart Care mode. (only for WF45K6200A* model)

2. Run the Samsung Smart Washer app on your mobile device, and then tap Smart Care.

3. Hold the mobile device so that the mobile device and the washer's display panel face each other. The app will recognize the information code automatically.

4. When the information code is recognized correctly, the app provides detailed information about the symptom and recommends further action.

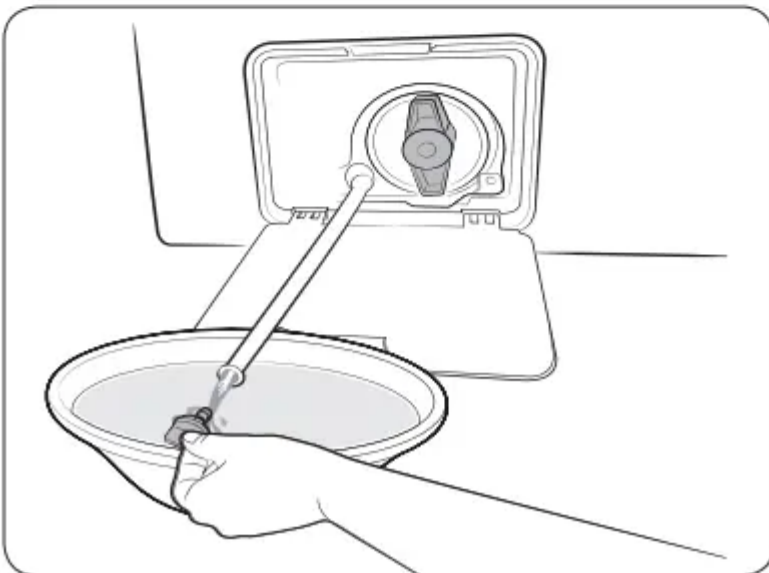
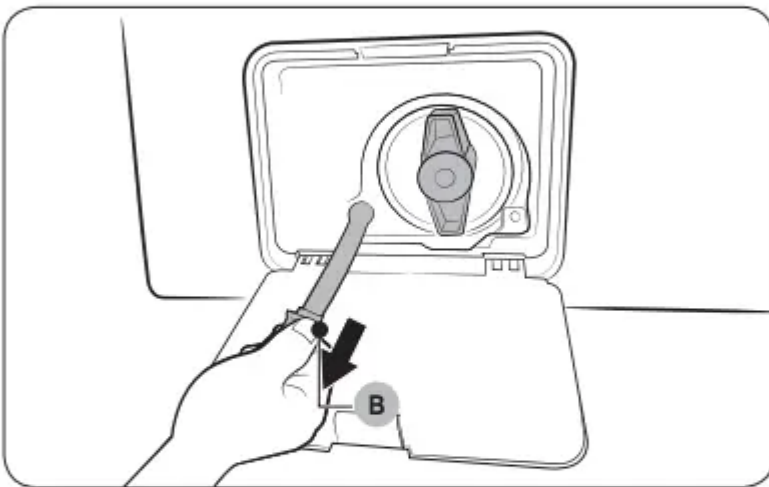
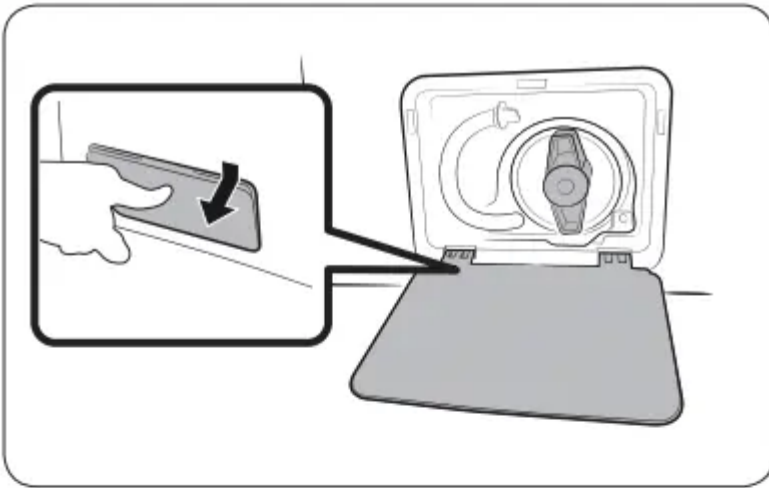
NOTE

- The function name, Smart Care, may differ depending on your language.
- If the washer display is reflecting light, the app may fail to recognize the information code.
- If the app fails to recognize the information code a number of times consecutively, enter the information code manually into the app screen.

Emergency drain

In case of a power failure, drain the water inside the drum before taking out the laundry.

1. Power off the washer, and then unplug it from the electrical outlet.
2. Gently press the top area of the filter cover to open.
3. Put an empty, spacious container around the cover, and stretch the emergency drain tube to the container while holding the tube cap (A).



4. Open the tube cap and let water in the Emergency drain tube (B) flow into the container.

5. When done, close the tube cap, and reassemble the tube. Then, close the filter cover.

NOTE Use a spacious container because the water in the drum may be more than expected.

Cleaning

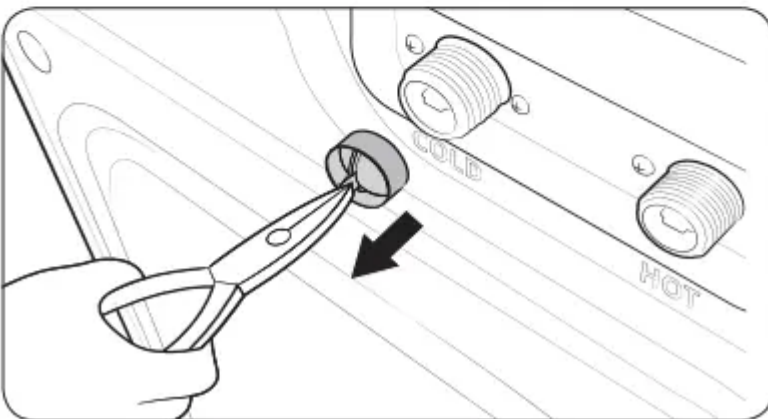
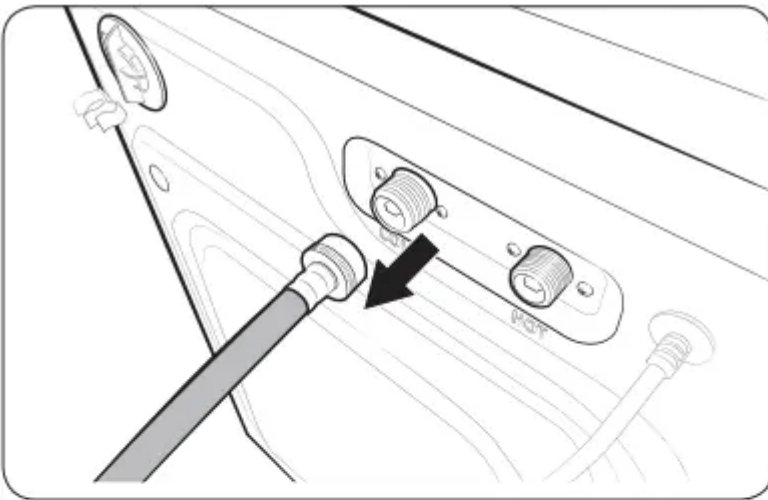
Surface of the washer

Use a soft cloth with a nonabrasive household detergent. Do not spray water onto the washer.

Mesh filter

Clean the mesh filter of the water hose once or twice a year.

1. Turn off the washer, and then unplug the power cord.
2. Close the faucet.
3. Loosen and disconnect the water hose from the back of the washer. Cover the hose with a cloth to prevent water from gushing out.



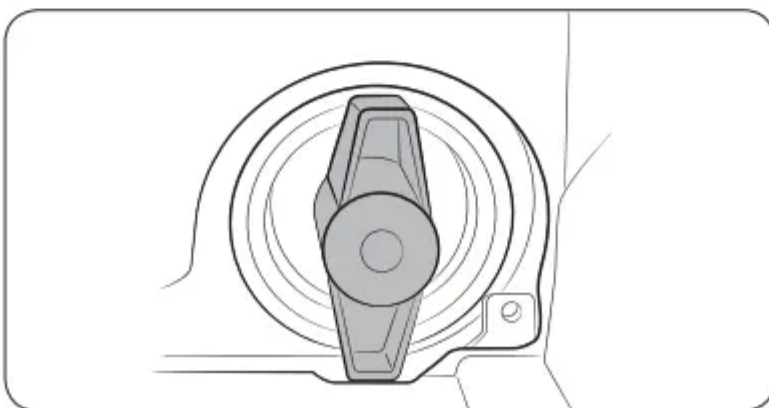
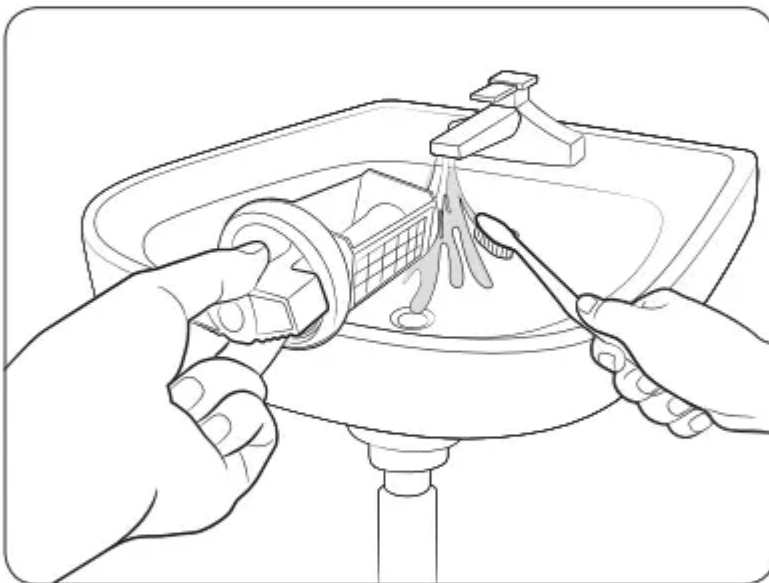
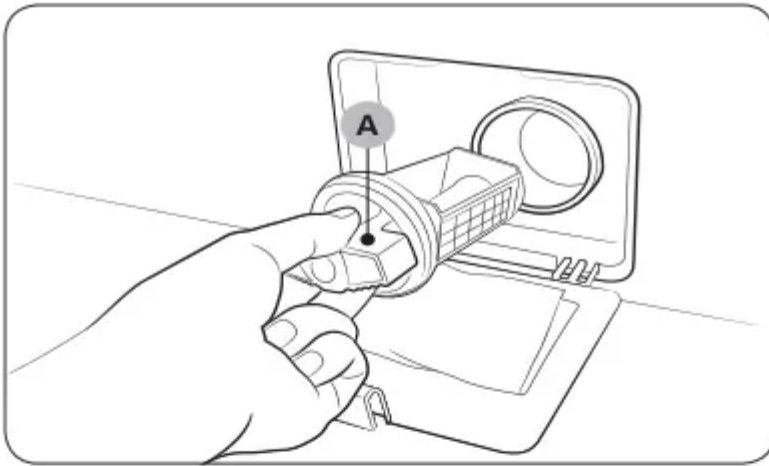
4. Use pliers to pull out the mesh filter from the inlet valve.
5. Submerge the mesh filter deeply in water so that the threaded connector is also submerged.
6. Dry the mesh filter completely in a shaded area.
7. Reinsert the mesh filter into the inlet valve, and reconnect the water hose to the inlet valve.
8. Open the faucet.

NOTE If the mesh filter is clogged, the “4C” information code appears on the the washer’s display screen.

Pump filter

It is advisable to clean the pump filter 5 or 6 times a year to prevent it from clogging. A clogged pump filter may reduce the bubble effect.

1. Turn off the washer, and then unplug the power cord.
2. Drain the remaining water inside the drum. See the “Emergency drain” section on page 49.
3. Gently press the top area of the filte cover to open.
4. Turn the pump filter knob (A) to the left, and drain off the remaining water.
5. Clean the pump filter using a soft brush. Make sure the drain pump propeller inside the filter is unclogged.
6. Reinsert the pump filter, and then turn the filter knob to the right.
7. Close the filter cover.



NOTE

- Some pump filters feature a safety knob that is designed to prevent accidents by children. To open the safety knob of the pump filter, push in and turn it counterclockwise. The spring mechanism of the safety knob helps open the filter.

- To close the safety knob of the pump filter, turn it clockwise. The spring makes a rattling sound, which is normal.

NOTE If the pump filter is clogged, the “5C” information code appears on the washer’s display screen.

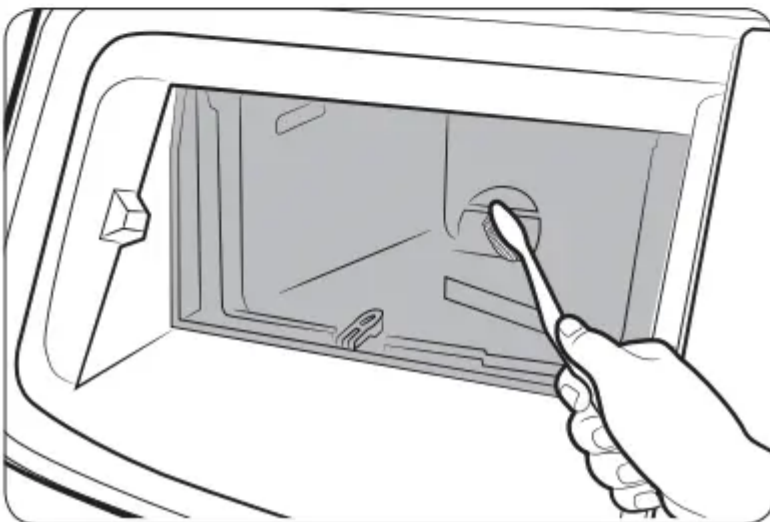
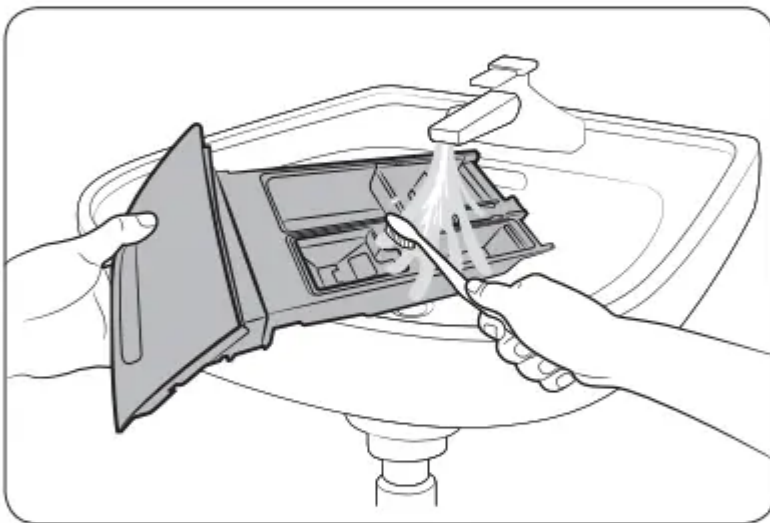
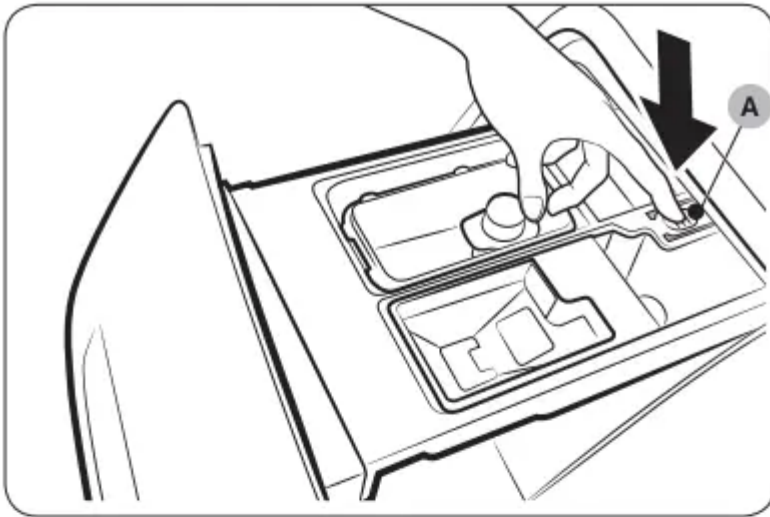
CAUTION

- Make sure the filter knob is closed properly after cleaning the filter. Otherwise, this may cause a leak.
- Make sure the filter is inserted properly after cleaning it. Otherwise, this may cause an operational failure or a leak.

Detergent drawer

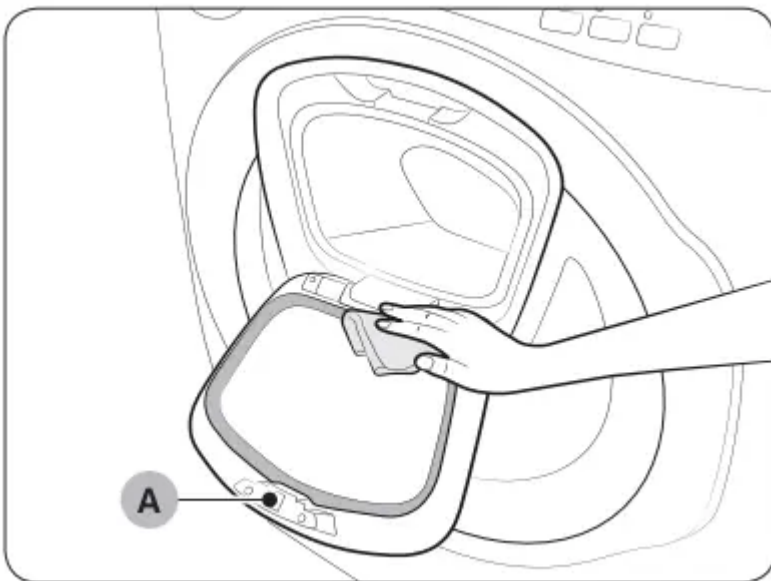
1. While holding down the release lever (A) inside the drawer, slide open the drawer, and then remove the drawer from the washer.
2. Remove the Liquid detergent container from the drawer.
3. Clean the drawer components in flowing water using a soft brush.

NOTE Other parts of the drawer can also be removed. They can fall out if you hold the drawer upside down.



4. Clean the drawer recess using a soft brush.
 5. Reinsert the liquid detergent container into the Detergent Drawer.
 6. Slide the drawer into the drawer recess, and then push it inward until it is fully closed.
- NOTE** To remove remaining detergent, perform a RINSE+SPIN cycle with the drum empty.

Add Door

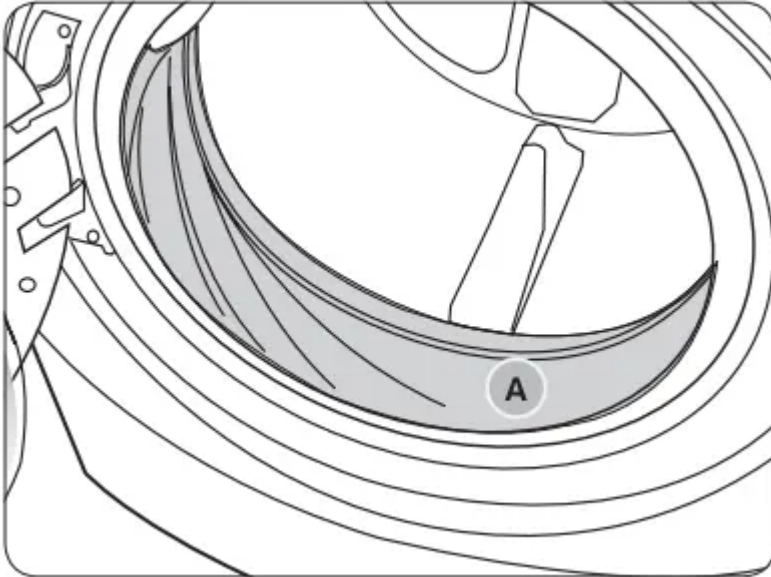


1. Open the Add Door.
2. Use a wet cloth to clean the Add Door.
 - Do not use cleaning agents. Discoloration may occur.
 - Use caution when cleaning the rubber packing and the locking mechanism.
 - Dust off the glass of the window and entrance area regularly.
3. Wipe up, and then close the Add Door. The Add Door is closed when you hear a click.

CAUTION

- Do not apply excessive force to the Add Door. It may break.
- Do not leave the Add Door open while the machine is operating.
- Do not put heavy objects on the Add Door at any time.
- To prevent physical injury, do not touch the Add Door while the drum is rotating.
- Do not add laundry while the machine is in the drying process. The laundry may not dry well.
- Do not open the Add Door while the machine is operating. This may cause physical injury.
- Do not use the feature panel while the Add Door is open. This may cause physical injury or system failure.
- Insert only laundry through the Add Door.
- Do not insert bulky items into the drum through the Add Door.
- Do not pull out the rubber packing of the Add Door when cleaning. You can damage the Add Door.

Door diaphragm



1. Open the door and empty the drum.
2. Turn over the diaphragm (A).
3. Combine 3/4 cups of liquid chlorine bleach and 1 gallon of warm tap water.
4. Wearing rubber gloves, use a soft, clean cloth dipped in the water and chlorine solution to clean the diaphragm.
5. Let stand 5 minutes, and then wipe up and dry well. 6. Put the diaphragm back to position.

CAUTION Use bleach carefully and be sure to follow the bleach manufacturer's use and care instructions.

Cleaning the exterior

1. Turn off the water faucets after finishing the day's washing. This will shut off the water supply to your washer and prevent the unlikely possibility of damage from escaping water. Leave the door open to allow the inside of your washer to dry out.
2. Use a soft cloth to wipe up all detergent, bleach, or other spills as they occur. Clean the following as recommended below:
 - Control Panel – Clean with a soft, damp cloth. Do not use abrasive powders or cleaning pads. Do not spray.
 - cleaners directly on the panel.
 - Cabinet – Clean with soap and water.

Cleaning the interior

Clean the interior of your washer periodically to remove any dirt, soil, odor, mold, mildew, or bacterial residue that may remain in your washer as a result of washing clothes.

CAUTION Failure to follow these instructions may result in unpleasant conditions, including odors and/or permanent stains on your washer or laundry.

NOTE Hard water deposits may be removed, if needed. Use a cleaner labeled “Washer safe”

Troubleshooting

Checkpoints

If you encounter a problem with the washer, first check the table below and try the suggestions.

Does not start.

- Make sure the washer is plugged in.
- Make sure the door is properly closed.
- Make sure the faucets are open.
- Make sure to press or tap Start/Pause to start the washer.
- Make sure Child Lock is not activated.
- Before the washer starts to fill, it will make a series of clicking noises to check the door lock and does a quick drain.
- Check the fuse or reset the circuit breaker.

Water supply is insufficient, or no water is supplied.

- Fully open the faucet.
- Make sure the door is properly closed.
- Make sure the water supply hose is not frozen.
- Make sure the water supply hose is not kinked or clogged.
- Make sure there is sufficient water pressure.

After a cycle, detergent remains in the detergent drawer.

- Make sure the washer is running with sufficient water pressure.
- If you are using powdered detergent, do not use more than recommended.
- If you are using liquid detergent, do not over fill the liquid detergent compartment.
- Remove the liquid detergent and softener containers, and then clean the detergent drawer.

Excessive vibrations or makes noise.

- Make sure the washer is installed on a level, solid floor that is not slippery. If the floor is not level, use the levelling feet to adjust the height of the washer.
- Make sure the shipping bolts are removed.
- Make sure the washer is not contacting any other object.
- Make sure the laundry load is balanced.
- The motor can cause noise during normal operation.
- Overalls or metal-decorated clothes can cause noise while being washed. This is normal.
- Metal objects such as coins can cause noise. After washing, remove these objects from the drum or filter case.

Does not drain and/ or spin.

- Make sure the drain hose is neither kinked nor obstructed all the way to the drain system. If you there is a drain restriction, call for service.
- Make sure the debris filter is not clogged.
- Close the door and press or tap Start/Pause. For your safety, the washer will not tumble or spin unless the door is closed.
- Make sure the drain hose is not frozen or clogged.
- Make sure the drain hose is connected to a drain system that is not clogged.
- If the washer is not supplied with sufficient power, the washer temporarily will not drain or spin. As soon as the washer regains sufficient power, it will operate normally.

The door does not open.

- Press or tap Start/Pause to stop the washer.
- It may take a few moments for the door lock mechanism to disengage.
- The door will not open until 3 minutes after the washer has stopped or the power has been turned off.
- Make sure all the water in the drum is drained.
- The door may not open if water remains in the drum. Drain the drum and open the door manually.
- Make sure the door lock light is off. The door lock light turns off after the washer has drained.

Excessive suds.

- Make sure you use the recommended types of detergent.
- Use high efficiency (HE) detergent to prevent oversudsing.
- Reduce the detergent amount for soft water, small loads, or lightly soiled loads.
- Non-HE detergent is not recommended.



Cannot add additional detergent.

- Make sure the remaining amount of detergent and fabric softener is not over the limit.

The washer stops.

- Plug the power cord into a live electrical outlet.
- Check the fuse or reset the circuit breaker.
- Close the door and press the Start/Pause button to start the washer. For your safety, the washer will not tumble or spin unless the door is closed.
- Before the washer starts to fill, it will make a series of clicking noises to check the door lock and does a quick drain.
- There may be a pause or soak period in the cycle. Wait and the washer may start.
- Make sure the mesh filter of the water supply hose at the faucets is not clogged. Periodically clean the mesh filter.
- If the washer is not supplied with sufficient power, the washer temporarily will not drain or spin. As soon as the washer regains sufficient power, it will operate normally.

The washer fills with the wrong water temperature.

- Fully open both taps.
- Make sure the temperature selection is correct.
- Make sure the hoses are connected to the correct taps. Flush the water lines.
- Make sure your water heater is set to supply hot water with a minimum temperature of 120 °F (49 °C) at the tap. Also, check the water heater capacity and recovery rate.
- Disconnect the hoses and clean the mesh filter. The mesh filter may be clogged.
- While the washer fills, the water temperature may change as the automatic temperature control feature checks the incoming water temperature. This is normal.
- While the washer fills, you may notice just hot and/or just cold water going through the dispenser when cold or warm temperatures are selected. This is a normal function of the automatic temperature control feature as the washer determines the water temperature.

The load is wet at the end of a cycle.

- Use the High or Extra High spin speed.
- Use high efficiency (HE) detergent to reduce oversudsing.
- The load is too small. Small loads (one or two items) may become unbalanced and not spin completely.
- Make sure the drain hose is not kinked or clogged.

Leaks water.

- Make sure the door is properly closed.
- Make sure all hose connections are tight.
- Make sure the end of the drain hose is correctly inserted and secured to the drain system.
- Avoid overloading.
- Use high efficiency (HE) detergent to prevent oversudsing.

Has odours.

- Excessive suds collect in recesses and can cause foul odours.
- Run cleansing cycles to sanitize periodically.
- Clean the door seal (diaphragm).
- Dry the washer interior after a cycle has finished.

No bubbles are seen (Bubbleshot models only).

- Overloading may screen bubbles.
- Severely contaminated laundry may not generate bubbles.

Can I open the Add Door at any time?

- The Add Door can be opened only when the indicator appears. Note that it does not open in the following cases:
 - When the steam or drying process is running and the internal temperature becomes high
 - If you set the Child Lock on for safety reasons
 - When a drum wash or drum drying cycle is running that does not permit additional laundry
 If a problem persists, contact a local Samsung service center.

Samsung Smart Home

I could not find “Samsung Smart Home” in the app market.

- The Samsung Smart Home app is available for smartphones that run Android 4.0 (ICS) or higher, or iOS 7.0 or higher.

The Samsung Smart Home app fails to operate.

- The Samsung Smart Home app is available in applicable models only
- The old Samsung Smart Washing machine app cannot connect with Samsung Smart Home models.

The Samsung Smart Home app is installed but is not connected to my washing machine.

- You must log into your Samsung account to use the app.
- Make sure that your router is operating normally.



- Make sure that the SmartHome Adapter is inserted properly.
- If the Wi-Fi Indicator on the washing machine's display is off, this indicates that no network connection has been established. Use the Samsung Smart Home app to connect and register the washing machine with your home network access point (AP).

Could not log into the app.

- You must log into your Samsung account to use the app.
- If you don't have a Samsung account, follow the app's onscreen instructions to create one.

An error message appears when I try to register my washing machine.

- The connection may fail due to the distance from your access point (AP) or electrical interference from the surrounding environment. Wait a moment and try again.

The Samsung Smart Home app is successfully connected to my washing machine but does not run.

- Exit and restart the Samsung Smart Home app or unplug your router and then reconnect it.
- Remove the SmartHome Adapter, and reconnect it properly. Then, try again.

Information codes

If the washer fails to operate, you may see an information code on the screen. Check the table below and try the suggestions.

1C

Check the water level sensor.

- Power off and then power the washer on after 2-3 minutes, and then try again.
- Depending on the model, the drain system drains water automatically. The POWER and START/PAUSE buttons may be disabled during this process.

DC

The door is open.

- Close the door, and then press START/PAUSE to resume operation.

DC1

Check the door switch.

- Power off and then power the washer on after 2-3 minutes, and then try again.

LC

Check for water leaks.

- Power the washer off, and then check the drain system for any leaks. Once the leak issue is resolved, power the washer on after 2-3 minutes.



- Depending on the model, the drain system drains water automatically. The POWER and START/PAUSE buttons may be disabled during this process.

4C

Check the water supply line.

- Check the connection to the water line (including water taps).
- Power off and then power the washer on after 2-3 minutes, and then try again.
- Depending on the model, the drain system drains water automatically. The POWER and START/PAUSE buttons may be disabled during this process.

4C2

Laundry needs protection because the water being supplied is too hot.

- Make sure the cold and hot water taps are properly connected.
- Power off and then power the washer on after 2-3 minutes, and then try again.

5C

Check the drain system.

- Make sure the drain filter is not clogged.
- If the drain filter is clogged, clean the filter filter, and then restart the washer.

HC

Check the washing heater.

- Power off the washer, and then contact a Samsung customer service center.

UB

Check the spinning process.

- The load may not be balanced inside the drum. Check the drum and make sure the load is balanced.
- Press START/PAUSE to resume operation, or power off and then power the washer on after 2-3 minutes, and then try again.

8C, 8C1, 8C2

Check the MEMS sensor.

- Power off and then power the washer on after 2-3 minutes, and then try again.

OC

Water may overflow.

- Close the water tap, and then call for service.

3C

Check the motor.

- Power off and then power the washer on after 2-3 minutes, and then try again.

AC6

Check the PBA communication status.

- Power off and then power the washer on after 2-3 minutes, and then try again.

DDC

The Add Door is open.

- Close the Add Door, and then press START/PAUSE to resume operation.

DC3

Check the Add Door.

- Power off and then power the washer on after 2-3 minutes, and then try again.

9C1/9C2

The electronic control needs to be checked.

- Check if power is supplied properly.
- If the information code remains, contact a Samsung service center.

SF

System failed.

- Power off the washer, and then contact a Samsung service center.

If any information code keeps appearing on the screen, contact a local Samsung service center.

Warning

This content is compiled from multiple sources and is provided for reference purposes only. It may not be complete or fully applicable to all situations. If you are unable to resolve your issue, please contact the product manufacturer or an authorized service provider for official support.