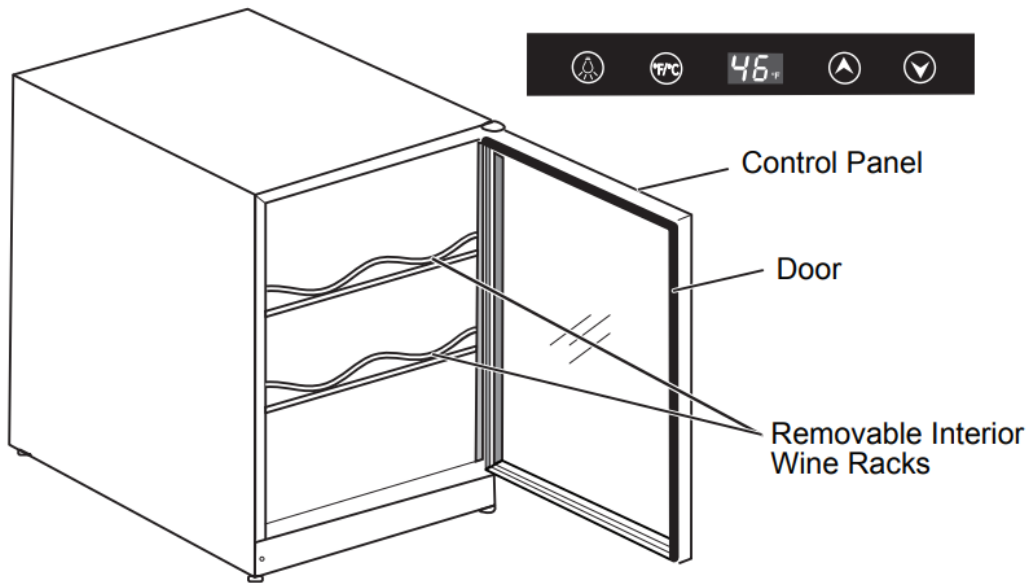


FEATURES



Removable Interior Wine Racks

Multi-position interior racks can be removed to accommodate various bottle sizes.

INSTALLATION

This Use & Care Guide provides general operating instructions for your model. Use the appliance only as instructed in this Use & Care Guide. Before starting the wine cooler, follow these important first steps.

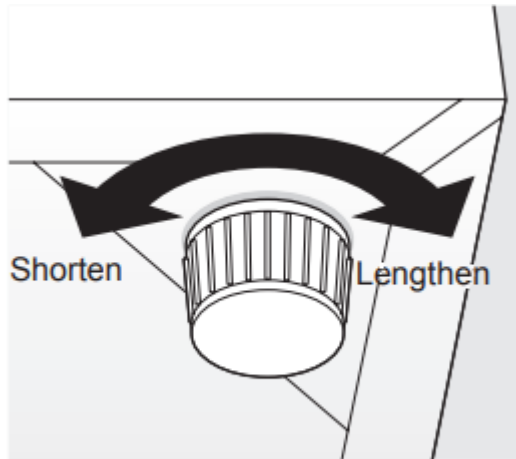
Location

- Choose a place that is near a grounded electrical outlet. Do Not use an extension cord or an adapter plug.
- For optimal performance, it is recommended that you install the wine cooler where the ambient temperature is between 70°F (21°C) and 78°F (26°C). Do not install your Wine Cooler in any location not properly insulated or heated, such as in a garage, or poor cooling performance and/or external condensation on the glass may occur.
- Leave a 2 inch space at the back of the wine cooler for adequate air circulation.
- Be sure the wine cooler stays in the upright position during transport. • Keep the wine cooler from any hazardous or combustible agents.

Leveling

The wine cooler must have all bottom corners resting firmly on solid floor. The floor must be strong enough to support a fully loaded wine cooler. NOTE: It is Very Important for your wine cooler to be level in order to function properly. If the wine cooler is not leveled during installation, the door may be misaligned and not close or seal properly, causing cooling, frost, or moisture problems. Adjust the bottom legs to level the unit.

To Level: Adjust the bottom legs by turning clockwise to lengthen and counterclockwise to shorten.



Cleaning

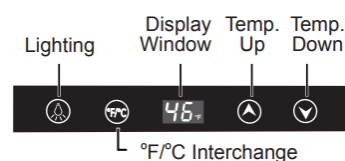
- Before cleaning, unplug the wine cooler and remove bottles.
- Wash any removable parts of the wine cooler interior, and exterior with mild detergent and warm water. Wipe dry. Do not use harsh cleaners on these surfaces.
- Do not use razor blades or other sharp instruments, which can scratch the appliance surface when removing adhesive labels. Any glue left from the tape can be removed with a mixture of warm water and mild detergent, or touch the residue with the sticky side of tape already removed. Do not remove the serial plate.

Important Safeguards: Do not store food in your wine cooler as interior temperature may not get cool enough to prevent spoilage. In summer months or areas of high humidity, the glass door may build up moisture. To remove the moisture, wipe it away

TEMPERATURE CONTROLS

Cool Down Period

For the best performance, allow 4 hours for the wine cooler to cool down completely. The wine cooler will run continuously




Operation Panel

Power ON

When the appliance is plugged into a power outlet, it powers on automatically

Interior Lighting ON/OFF control

<ul style="list-style-type: none">• Touch the light button to turn ON/OFF the interior LED lighting.	
<ul style="list-style-type: none">• The light will stay on until it is manually turned off.	

Temperature Display Window

The temperature is displayed digitally. The digital display shows the interior temperature of the wine cooler during normal operation.

NOTE: This temperature may occasionally change if the door is opened, if the environment changes, or if wine is removed or added.

Temperature Setting

The temperature ranges from 46°F (6°C) Min. and 65°F (18°C) Max.

- Directly touch the **^** or **v** button to set the wine cooler temperature.
- The first touch on the **^** or **v** button will show the current temperature setting. The display will blink on and off while navigating these buttons. The display will turn solid after 3 seconds of inactivity and will show the actual temperature inside the appliance.
- Touch the **^** button to increase the set temperature by 1°F (or by 1°C). On the contrary, touch the **v** button to decrease the set temperature by 1°F (or by 1°C).

- After the temperature has been changed to the desired setting, the display will continue to blink for 3 seconds and then turn solid to indicate the actual temperature inside the appliance.

NOTE: Please wait up to 24 hours for the internal temperature to reach the desired setting.

Selecting Fahrenheit (°F) & Celsius (°C) Display

Quickly press and release the F/C button to switch the Fahrenheit and Celsius temperature. The display window will show the Fahrenheit and Celsius temperature setting of the current mode.

ENERGY-SAVING TIPS



- Install the wine cooler in the coolest part of a dry and ventilated room, out of direct sunlight and away from heating ducts or registers. Do not place the wine cooler next to heat-producing appliances such as a range, oven or dishwasher.
- Level the wine cooler so the door close tightly.
- Do not over crowd the wine cooler or block cold air vents. Doing so causes the wine cooler to run longer and use more energy. Shelves should not be lined with aluminum foil, wax paper or paper toweling. Liners interfere with cold air circulation, making the wine cooler less efficient.
- Wipe containers dry before placing them in the wine cooler. This cuts down on moisture build-up inside the unit.

- Organize the wine cooler to reduce door openings. Remove as many items as needed at one time and close the door as soon as possible.

CARE & CLEANING

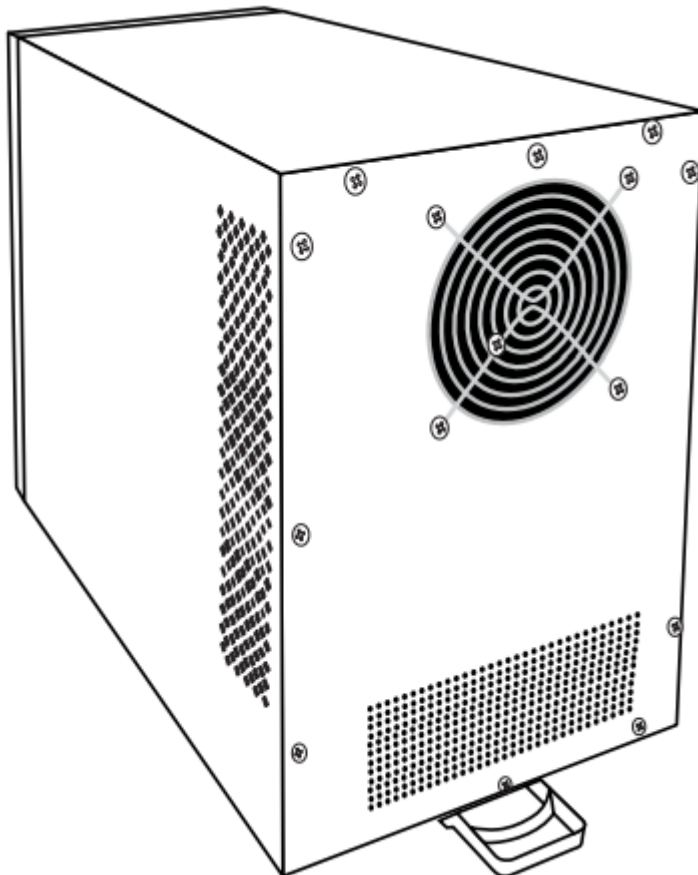
Cleaning the wine cooler

- Before cleaning, unplug the wine cooler and remove the bottles.
- Clean your wine cooler once very two months

Inside: Wash inside surfaces of the wine cooler with a solution of 2 tablespoons of baking soda in 1 quart (1.136 liters) warm water. Rinse and dry. Wring excess water out of the sponge or cloth when cleaning in the area of the controls, or any electrical parts.

Wash the removable parts with the baking soda solution mentioned above, or mild detergent and warm water. Rinse and dry. Never use metallic scouring pads, brushes, abrasive cleaners, or alkaline solutions on any surface. Do not wash removable parts in a dishwasher.

The condensate collection tray must be cleaned periodically. It can be accessed from the rear of the unit (see below).



To Remove Condensate Collection tray, pull out at an upward angle.

Outside: Wash the cabinet with warm water and mild liquid detergent. Rinse well and wipe dry with a clean soft cloth.

Care of plastic parts

If the plastic parts in the wine cooler remain contaminated by oil (animal or vegetable) for a long period of time, they will age and crack easily. Please clean them on a regular basis.

Protect the door gasket. It should be kept clean at all times.

Vacation and Moving Tips

Vacations: If the wine cooler will not be used for several months:

- Remove all wine bottles and unplug the power cord.
- Clean and dry the interior thoroughly.
- Leave the wine cooler door open slightly, blocking it open if necessary, to prevent odor and mold growth.

Moving: When moving the wine cooler, follow these guidelines to prevent damage:

- Disconnect the power cord plug from the wall outlet.
- Remove wine bottles and clean the wine cooler.
- Secure all loose items by taping them securely in place to prevent damage.
- In a moving vehicle, secure the wine cooler in an upright position to prevent movement. Also, protect the outside of the wine cooler with a blanket or similar item.

BEFORE YOU CALL

PROBLEM	CAUSE	CORRECTION
WINE COOLER OPERATION		
Wine cooler does not run.	<ul style="list-style-type: none"> • Wine cooler is plugged into a circuit that has a ground fault interrupt. 	<ul style="list-style-type: none"> • Use another circuit. If you are unsure about the outlet, have it checked by a certified technician.
	<ul style="list-style-type: none"> • Wine cooler may not be plugged in, or plug may be loose. 	<ul style="list-style-type: none"> • Ensure plug is tightly pushed into outlet.
	<ul style="list-style-type: none"> • House fuse blown or tripped circuit breaker. 	<ul style="list-style-type: none"> • Check/replace fuse with a 15 amp time-delay fuse. Reset circuit breaker.
	<ul style="list-style-type: none"> • Power outage. 	<ul style="list-style-type: none"> • Check house lights. Call local Electric Company.
Wine cooler runs too much or too long.	<ul style="list-style-type: none"> • Room or outside weather is hot. 	<ul style="list-style-type: none"> • It's normal for the wine cooler to work harder under these conditions.
	<ul style="list-style-type: none"> • Wine cooler has recently been disconnected for a period of time. 	<ul style="list-style-type: none"> • It takes 4 hours for the wine cooler to cool down completely.
	<ul style="list-style-type: none"> • Door is opened too frequently or too long. 	<ul style="list-style-type: none"> • Warm air entering the wine Cooler causes it to run more. Open doors less often.
	<ul style="list-style-type: none"> • Wine Cooler door may be slightly open. 	<ul style="list-style-type: none"> • Make sure door is completely closed and properly aligned.
	<ul style="list-style-type: none"> • Temperature control is set too low. 	<ul style="list-style-type: none"> • Adjust control to a warmer setting. Allow several hours for the temperature to stabilize.
	<ul style="list-style-type: none"> • Wine Cooler gasket is dirty, worn, cracked, or poorly fitted. 	<ul style="list-style-type: none"> • Clean or change gasket. Leaks in the door seal will cause wine cooler to run longer in order to maintain desired temperature.



Interior wine cooler temperature is too cold.	<ul style="list-style-type: none"> • Temperature control is set too low. 	<ul style="list-style-type: none"> • Adjust the control to a warmer setting. Allow several hours for the temperature to stabilize.
Interior wine cooler temperature is too warm.	<ul style="list-style-type: none"> • Temperature control is set too warm. 	<ul style="list-style-type: none"> • Adjust the control to a colder setting. Allow several hours for the temperature to stabilize.
	<ul style="list-style-type: none"> • Door is opened too frequently or too long. 	<ul style="list-style-type: none"> • Warm air entering the wine cooler causes it to run more. Open doors less often.
	<ul style="list-style-type: none"> • Door may not be seating properly. 	<ul style="list-style-type: none"> • Check for proper alignment of door and gasket.
	<ul style="list-style-type: none"> • Wine cooler has recently been disconnected for a period of time. 	<ul style="list-style-type: none"> • It takes 4 hours for the wine cooler to cool down completely
SOUND AND NOISE		
Louder sound levels when wine cooler is on.	<ul style="list-style-type: none"> • Modern wine coolers have increased storage capacity and more stable temperatures 	<ul style="list-style-type: none"> • This is normal. When the surrounding noise level is low, you might hear the system running while it cools the interior
Popping or cracking sound	<ul style="list-style-type: none"> • Metal parts undergo expansion and contraction, as in hot water pipes. 	<ul style="list-style-type: none"> • This is normal. Sound will level off or disappear as wine cooler continues to run.
WATER/MOISTURE/FROST INSIDE WINE COOLER		
Moisture forms on inside of wine cooler walls.	<ul style="list-style-type: none"> • Weather is hot and humid. 	<ul style="list-style-type: none"> • This is normal.
	<ul style="list-style-type: none"> • Door may not be seating properly. 	<ul style="list-style-type: none"> • Check for proper alignment of door and gasket.
	<ul style="list-style-type: none"> • Door is kept open too long, or opened too frequently. 	<ul style="list-style-type: none"> • Open the door less often
WATER/MOISTURE/FROST OUTSIDE WINE COOLER		



Moisture forms on outside of wine cooler.	<ul style="list-style-type: none"> • Door may not be seating properly, causing the cold air from inside the wine cooler to meet warm moist air from outside. 	<ul style="list-style-type: none"> • Check for proper alignment of door and gasket.
Moisture or water is leaking from the bottom of the unit.	<ul style="list-style-type: none"> • Condensate collection pan is overfilled with water and must be emptied. 	<ul style="list-style-type: none"> • See “Cleaning the wine cooler” in the CARE & CLEANING section of this manual.
ODOR IN WINE COOLER		
Odors in wine cooler.	<ul style="list-style-type: none"> • Interior needs to be cleaned. 	<ul style="list-style-type: none"> • Clean interior with sponge, warm water, and baking soda.

Warning

This content is compiled from multiple sources and is provided for reference purposes only. It may not be complete or fully applicable to all situations. If you are unable to resolve your issue, please contact the product manufacturer or an authorized service provider for official support.

