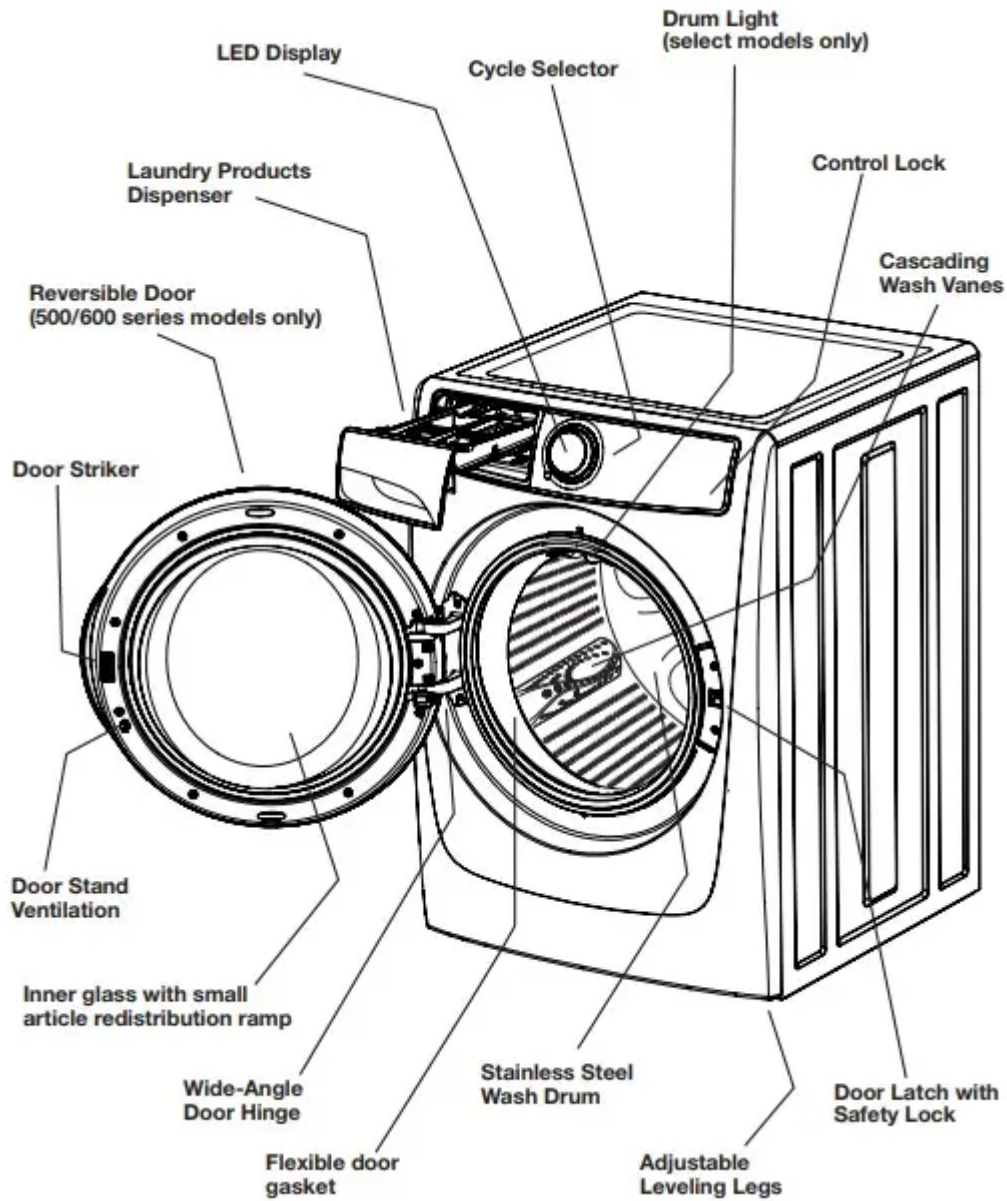


USER MANUAL FRONT LOAD WASHER

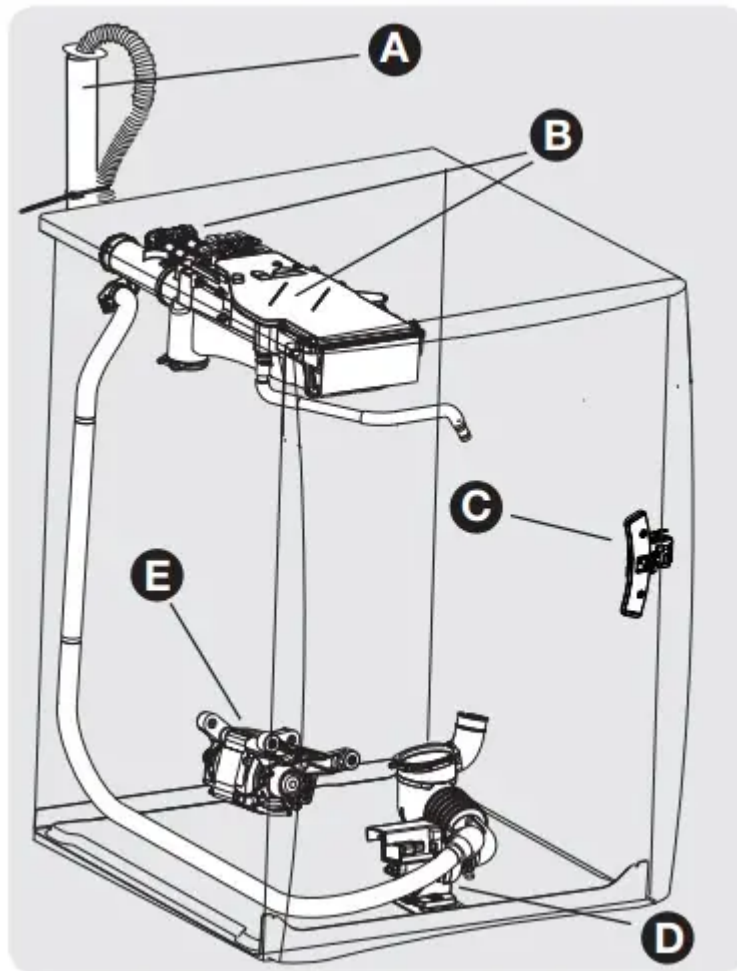
Features



Operating Instructions

Normal Operating Sounds

You may or may not hear the following sounds from your new washer:



A. DRAIN HOSE The washer has a flexible drain hose to carry water from the washer to the stand pipe of your home. You will hear water flowing into your stand pipe. This is a normal part of the operation of the washer.

B. WATER VALVES/DISPENSER As water enters the dispenser system, it is common to hear a water flowing sound. This normal sound will vary slightly based on the water pressure in your home.

C. DOOR LOCK Your washer is equipped with a door lock with an electric solenoid. There will be a clicking sound as the washer door is being locked or unlocked.

D. DRAIN/RECIRCULATION PUMPS Your washer is equipped with multiple high velocity system pumps. It is normal to hear humming and gurgling sounds as water is either pumped from the washer during the drain phase or recirculated during the prewash and wash phases. Both of these sounds are normal and indicate that your pump is functioning correctly.

E. HIGH SPEED MOTOR A powerful motor is used to drive the drum to high spin speeds to extract water from your load. You will hear a sound associated with these higher spin speeds. This sound is normal and will vary slightly as the spin speed varies with load size and cycle selected.

CAUTION: Abnormal, on-going sounds may be an indication of a pending washer failure and should be investigated by a qualified technician. Refer to “Noise” section of Service Prevention Checklist in this manual.

Operating Your Washer

1 Sort laundry into loads that can be washed together.

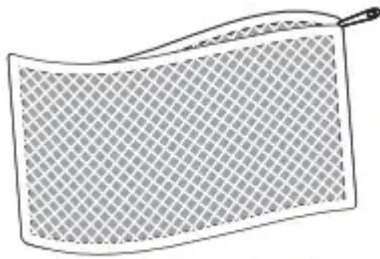


- Sort items by recommended cycle and water temperature.
- Separate white, light and colorfast items from dark and non-colorfast items.
- Separate items that shed lint from items that attract lint. Casual, synthetic, knit, and corduroy items will pick up lint from towels, rugs, and chenille bedspreads.
- Separate heavily soiled items from lightly soiled items.
- Separate lacy, sheer, loosely knit, or delicate items from durable items.
- Do not machine wash items containing fiberglass. Small particles of fiberglass left in the drum may transfer to fabrics in other loads and cause skin irritation.

2 Prepare items for washing.



- Brush off lint and dirt. Shake out rugs and beach towels.
- Close zippers, fasten hooks, tie strings and sashes, and remove non-washable trims and ornaments.
- Mend rips and tears to prevent further damage during washing.
- Turn knit items inside out to prevent pilling.
- Place delicate and small items such as bras, hosiery and baby socks in a mesh bag.



(Mesh bag not included.)

3 Pretreat stains and heavy soil.

- See Stain Removal Guide in this guide for safe, successful stain removal instructions.

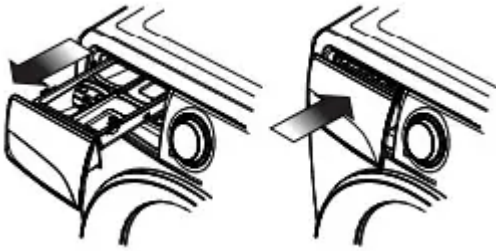


4 Add laundry load to washer.

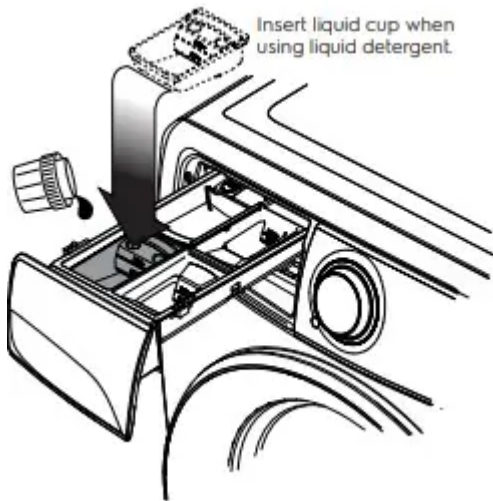


- Combine large and small items in a load.
- Load large items first. Large items should not be more than half the total wash load.
- Washing single items such as a sweater, towel or jeans is inefficient and may cause an out-of-balance load. Add 1 or 2 similar items to help balance the load.
- Wash a single heavy item such as a kingsized comforter, bedspread or sleeping bag separately.
- The washer can be fully loaded, but the items should not be tightly packed. The door should close easily

5 Add laundry products to the dispenser.



Detergent, stain additives, liquid chlorine bleach and liquid fabric softener will be dispensed at the proper times in the cycle.



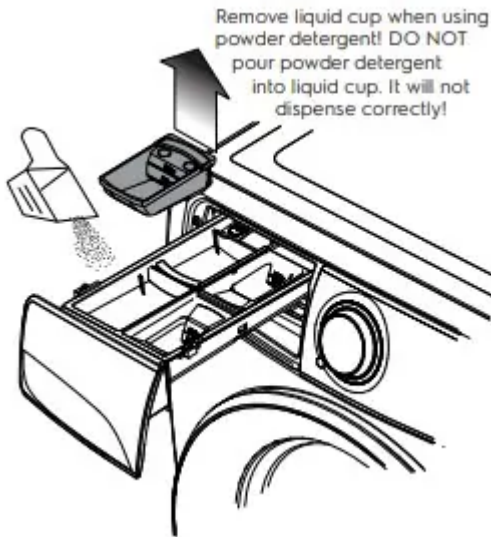
Use the cap or scoop provided by the detergent manufacturer to measure the amount recommended. Detergent dosage may need to be adjusted for water temperature, water hardness, load size and soil level.

Liquid Detergent

- Add the recommended amount of a high efficiency liquid detergent to the Main Wash - Liquid Only cup.
- Do not exceed the MAX fill line.

Powder Detergent

- To use a high efficiency powder detergent, remove the Main Wash - Liquid Only cup and add the powder directly to the Main Wash detergent chamber.



Pod-Type Detergent Packs

- If using pod-type detergent packs, add them directly to empty drum.




Other Wash Products

- Color-safe bleach, water conditioner, detergent booster and enzyme products may be added with the detergent.
- Put liquid products with liquid detergent in the Main Wash - liquid only chamber or powder products with powder detergent in the Main Wash detergent chamber.

Stain Treatment


- For heavily soiled or stained loads, select the Stain option (StainTreat, StainTreatII, or StainSoak) and add the recommended amount of detergent or stain additive to the Pre-Wash chamber. See Cycle Options in this guide for specific information about the Stain options for your model.

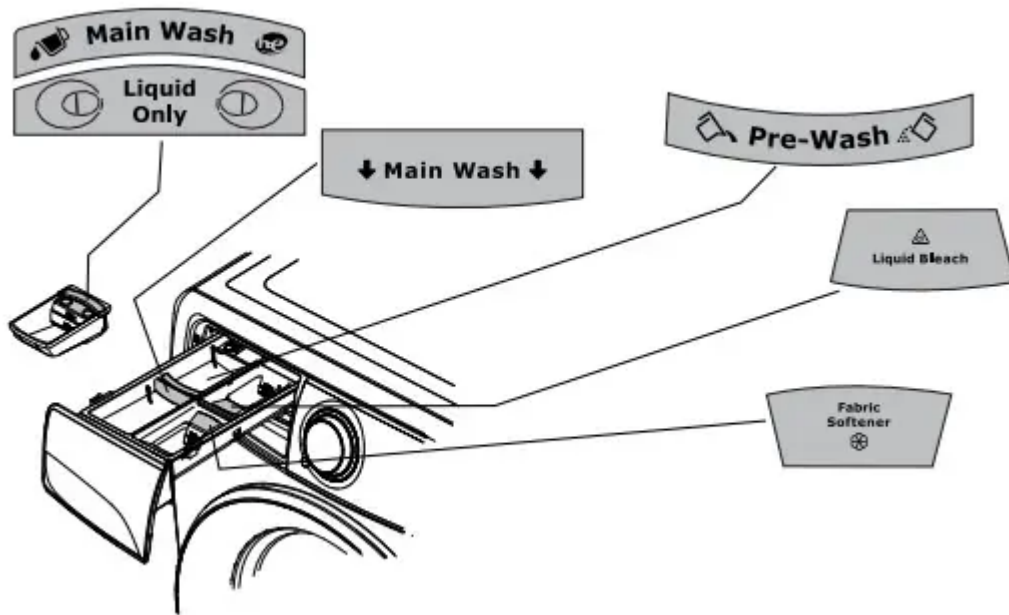
Liquid Chlorine Bleach

- If desired, add liquid chlorine bleach to the chamber labeled Liquid Bleach and marked with this symbol: 
- Fill to the MIN line for small loads or the MAX line for large loads.
- DO NOT fill above the maximum fill line.


- Add color-safe bleach with the detergent.

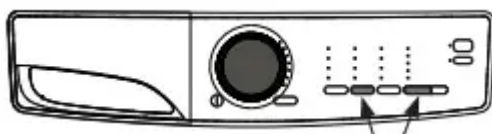
Liquid Fabric Softener

- If desired, pour the recommended amount of liquid fabric softener into the chamber labeled Fabric Softener and marked with this symbol: .
- Fill to the MIN line for small loads or the MAX line for large loads.
- DO NOT fill above the maximum fill line.
- Use of a fabric softener-dispensing ball is not recommended in tumble action washers.



6 Select the appropriate cycle and settings for the load.

- Press the power  button to turn on the unit.
- Turn the cycle selector ring (on some models) in either direction or press the cycles button (on other models) to scroll to the desired cycle. The indicator for that cycle will be illuminated. See the “Cycle Selection” section in this guide for descriptions of each cycle.
- The estimated cycle time, suitable wash and rinse water temperatures, final spin speed, soil level, and options for each cycle will be indicated for the cycle selected. See the “Cycle Settings” and “Washer Settings Chart” in this guide for descriptions and available settings for each cycle.
- To change the settings, press the temp, spin and soil buttons to scroll to the desired settings

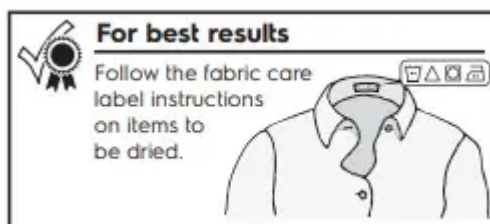


To return to factory settings, press power and look for console light up. Wait at least 10 seconds, then press the soil and options buttons at the same time and hold until the signal sounds.

- To select or delete an option, press options; then, while the indicator is blinking, press set. The indicator will be illuminated when the option has been selected. The indicator will no longer be lighted when the option has been deleted. See stain option for specific instructions about treating stains with the stain option.

7 Start the washer.

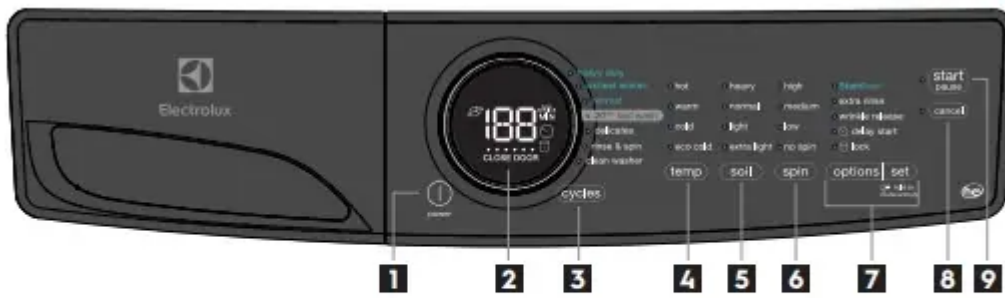
- Close the door and press start. The washer will not operate with the door open. "CLOSE DOOR" will be displayed as a reminder to close the door.
- Select delay start to delay the beginning of the cycle, if desired. See Cycle Options for information about operating delay start feature.
- As a safety measure, the door will automatically lock during the entire wash cycle.
- To add a forgotten item to the washer any time during the wash portion of the cycle, press pause. When the door unlocks, open the door, add the item, close the door and press start to resume the cycle
- If changes to the settings or options are attempted after the cycle starts, you will hear several beeps when the buttons are pressed. To change the settings or options, press pause, make the new selections and press start again.
- To change the cycle once the cycle has begun, press cancel, select a new cycle, and press Start again. Just turning the cycle selector knob will not change the cycle.
- To stop the cycle, press cancel.
- A signal will sound at the end of the cycle if the chime option has been unmuted.
- Remove items from the washer when the cycle ends and place in dryer, line dry or dry flat as directed on the fabric care label.



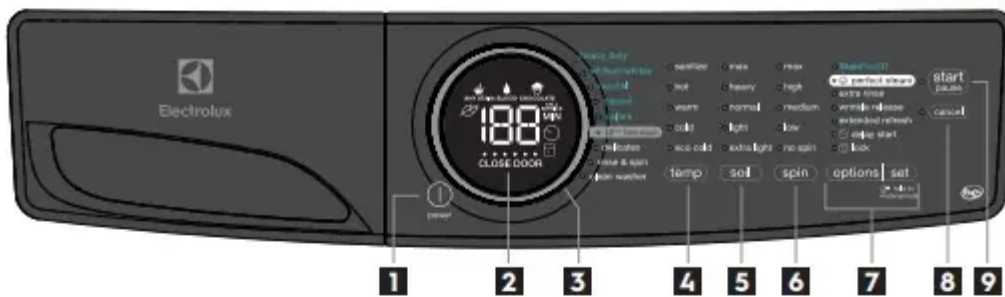
- Excess wrinkling, color transfer or odors may develop in items left in the washer after the cycle has ended, if not removed promptly

Cycle Selection

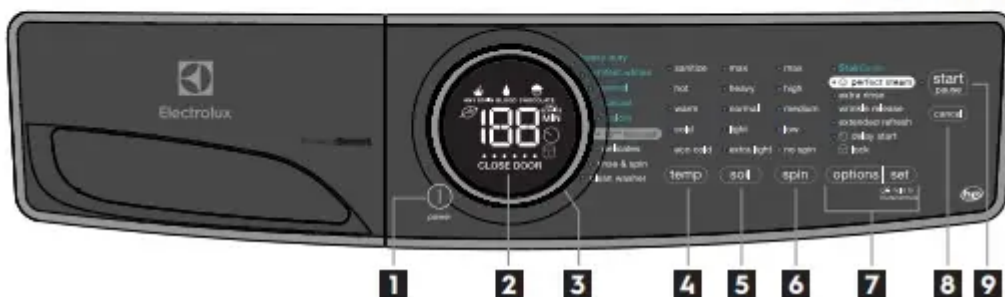
400 Series



500 Series



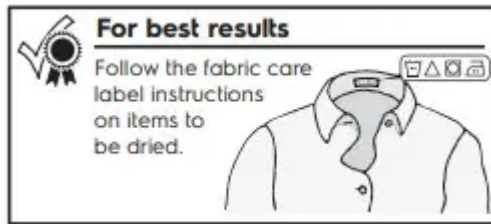
600 Series



1. power
2. cycle status display
3. cycle selector
4. temperature
5. soil level
6. spin speed
7. options/set
8. cancel
9. start/pause

- Press the power button to turn on the unit. Turn the cycle selector ring (on select models) in either direction or repeatedly press the cycles button (on other models) to scroll through the cycles.

- To change the cycle once it has begun, press the cancel button before selecting a new cycle. Just turning the cycle selector ring or pressing the cycles button will not change the cycle.



heavy duty

- Use this cycle for heavily soiled, durable garments - ex. towels, sports gear, or fabric tote bags. For best soil and stain removal, use the hottest water safe for the fabrics being washed.

whitest whites

- Use this cycle for white fabrics and lightly colored clothing. Refer to fabric care label for use of liquid chlorine bleach.

normal

- Use this load for light to normally soiled cottons, linens, towels, shirts, jeans and mixed loads.

casual

- Use this cycle for synthetics and blends with a permanent press or no-iron finish.

colors

- Use this cycle for lightly soiled, dark, or highly dyed fabrics which may be susceptible to dye loss.

20min fast wash (400 Series model)

- Quickly wash a small, lightly soiled load in 20 minutes.

18min fast wash (500 Series model)

- Quickly wash a small, lightly soiled load in 18 minutes.

15min fast wash (600 Series model)

- Quickly wash a small, lightly soiled load in 15 minutes.

delicates

- Use this cycle for lightly soiled knits and delicates which require gentle washing.

rinse & spin

- Select rinse & spin for loads that need a cold water rinse or to add fabric softener that may have been omitted in a regular cycle. Add the fabric softener to the dispenser chamber. Select the spin speed appropriate for the load.

clean washer

- To clean and freshen the washer, perform the clean washer cycle. If you wish to begin the cycle, empty the drum, add bleach and press start. This maintenance cycle removes residue that may cause odor. See Inside Routine Cleaning (Preventive) for detailed information about the clean washer cycle.

Cycle Settings

Washing Temperature

- The appropriate washing temperature will automatically be indicated for the cycle selected. To change the preset temperature, press the temp button to scroll to the desired setting. Select a wash water temperature according to fiber content, colorfastness and soil level.
- To protect your fabrics, not all temperatures are available with every cycle. If a temperature is not appropriate for the cycle, it cannot be selected and will not be lit by pressing the temp button.
- The temperature selected for the cycle will be remembered and recalled each time that cycle is selected in the future.
- All wash water temperatures are automatically regulated to maximize detergent effectiveness and improve washing performance. The water heater setting and its distance from the washer, water usage in other parts of the home, and seasonally low ground water temperature in some geographic areas can affect water temperature.

sanitize (on select models)

- Use the sanitize setting to clean and sanitize heavily soiled, colorfast fabrics including towels, bedding, cloth diapers, and children's clothing.
- It is recommended that you set your water heater to 120° F (49° C) or higher to ensure proper performance during this cycle. If the setting is lower or the load is extra large, the cycle time may be extended.
- When used with the heavy duty and whitest whites cycles, the sanitize setting will kill 99.9% of bacteria with no carryover of bacteria between loads. No bleach or harsh chemicals are needed, but higher temperatures are required. Please check fabric care labels to prevent damage.
- The wash water is heated by an internal boost heater to a maximum of 152° F (67° C) as the load tumbles. Cold water is added to cool down the load prior to drain and spin.

- As a precaution, the washer door remains locked when the water temperature reaches 130° F (55° C).

hot

- Use this setting for heavily soiled white or colorfast cottons and blends.

warm

- Use this setting for normally soiled white or colorfast cottons or blends.

cold

- Some warm water will automatically blend with cold tap supply to achieve a precise cold. Use this setting for lightly soiled non-colorfast items, knits, delicates, and hand washables.

eco cold

- Wash and rinse temperatures are equivalent to temperature of cold tap supply. Use this selection for fabrics and colors that are prone to dye transfer. For use with cold water detergents.

Soil Level

- Adjust the wash time based on the soil level of each load. Max (on select models), heavy, normal, light and extra light soil levels are available.

Spin Speed

- Max (on select models), high, medium and low spin speeds are available for each cycle. The spin speed and/or duration of final spin vary from model to model and cycle to cycle.
- Increasing the spin speed will extract more water, decrease drying time and conserve energy. Decreasing the spin speed will reduce wrinkling.
- Select low spin speed to gently spin items that should be line dried.
- Use no spin to omit the final spin at the end of the cycle. The load will be very wet. Remove items from the wash drum to drip dry or select a spin only cycle to remove excess water at a more convenient time.

Cycle Options

- Suitable options will automatically be indicated when the cycle is selected. To add an option, press options until the indicator for the desired option flashes, then press set. The indicator will be illuminated when the option has been selected. Follow the same steps to delete an option.
- To protect your fabrics, not all options are available with every cycle. If an option is not available for a cycle, the indicator will not light.

- All settings or options selected for the cycle, except sanitize heat, perfect steam™ (on select models), and stain treatment options, will be remembered and recalled each time that cycle is selected in the future. To prevent unintentional and accidental exposure of delicate material to excess heat or unexpected steam, the sanitize setting and the perfect steam™ option will not be remembered and must be reselected each time. Stain treatment options will also need to be reselected each time.

Stain Treatment

- Your washer is equipped with powerful stain treatment tools. Depending on your model, use one of the options below to deal with tough stains on your garments. See step 5 in “Operating Your Washer” section in this guide for details on adding stain additives to the dispenser.

StainTreat (400 Series Washer)

- Select this option to add a short initial wash period to available cycles using the stain treatment additives in the Pre-Wash chamber. After the Stain wash phase, the load will automatically advance to the regular wash cycle.

StainTreatII (500 Series Washer)

- Select this option when available and rotate the cycle selector to rotate through the stain types below. Stain additive and main detergent will recirculate in the agitating load for approximately 20 minutes and then the washer will advance to the regular wash cycle.
 - Any Stain: Recirculating wash solution will be heated by boost heater.
 - Blood: Recirculating wash solution will NOT be heated by boost heater to prevent setting blood stains.
 - Chocolate: Stain wash time is extended with additional heating by boost heater.

StainSoak (600 Series Washer)

- Similar to StainTreatII above with the added feature of detergent/treatment mixing with SmartBoost pump technology before the Stain washing phase.

perfect steam™ (on select models)

- Select this option to add approximately 20 minutes of tumbling in steam.

extra rinse

- Use this option when additional rinsing is desired to remove excess dirt and detergent. It is recommended for heavily soiled loads or if household members have sensitive skin.

wrinkle release

- After the final spin, the washer will perform a “dry” agitation to loosen the garments from the side of the drum.

extended refresh (on certain models)

- Select extended refresh if you know you will be unable to remove the load right after the cycle is complete. The washer recognizes the load has sat too long and will do a rinse and spin to keep the load fresh. It will do this for up to 12 hours. When you are ready to remove the load during the extended refresh segment, you must press cancel to end the cycle and open the door.

delay start

- Use delay start to select a wash time convenient to your schedule or during off -peak energy hours. The start of any cycle can be delayed for 30 minutes to 12 hours. Scroll through the options to select the delay start option, then press set to scroll to the delayed desired time setting with the cycle selector. After choosing the desired delay time, press start and the delay time will begin counting down.

lock

- To lock the controls between cycles, scroll to the lock option and press set. “ ” will be displayed on the panel. To unlock the controls scroll to the lock option and press set. Use this feature to reduce the likelihood of accidental operation by children.

Other Features


Chime (press & hold set button)

- A signal will sound at the end of the cycle (and periodically during extended refresh) if this option is activated



- Muting the end of cycle signal will not mute the button tones.

Eco Indicator

- The “” symbol will light up on the center display to indicate that your selected combination of temperature, spin speed and options are eco friendly.

Status Display

- The estimated total cycle time will be displayed when the cycle is selected. The time may increase if water pressure is low, oversudsing occurs or the load becomes unbalanced. The approximate time remaining will be displayed during the cycle. As the washer progresses through the cycle phases, the row of cycle phase indicators lights up under the cycle time.



Oversuds Protection

- A situation where oversudsing has been detected by the washer will result in the washer requiring additional rinses until the suds have been cleared. Each extra rinse the washer performs to clear the suds will add approximately 5 minutes to the cycle duration. The L.E.D. will display “SU” followed by “dS” and then the remaining cycle time (0 min) for 60 seconds and then repeat. Acknowledge the oversuds condition by pressing the cancel button.



Reversed Hose Detection

- If condition is detected where the inlet hoses have been installed incorrectly (hot supply to cold inlet and cold supply to hot inlet), the washer will alert you. The L.E.D. will display “HO” followed by “SE” and then the remaining cycle time (0 min) for 60 seconds and then repeat. Acknowledge the reversed hose condition by pressing the cancel button. Shut off each water supply valve and attach each supply hose to the correct inlet connection on the washer.



Drum Light (on select models)

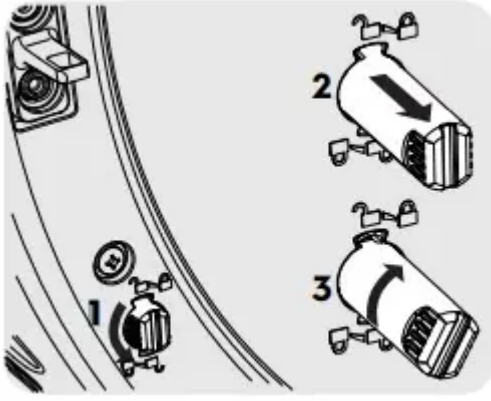
- The drum light will come on whenever the door is opened to illuminate the drum during loading and unloading. Closing the door turns off the light. The drum light will automatically turn off if the door is left open more than 3 minutes.

Reversible Door (on select models)

- Your washer may be equipped with a reversible door. The door can be hinged on the right or left side.

Door Stand Ventilation

- Help prevent odor buildup and reduce humidity between washes by utilizing your washer's door stand ventilation feature. Open the door, locate the stand below the door latch and rotate the stand counter-clockwise to unlock it.
- The stand is spring loaded and will extend. Rotate it clockwise to lock in the extended position.



- To disengage the stand, rotate to unlock, push the stand in and rotate to lock position.

Settings Chart - 400 Series Washer



These temperature, spin speeds, soil levels and options are available with the following cycles:

	heavy duty	whitest whites	normal	20 ^{min} fast wash	delicates	rinse & spin	clean washer
temp							
hot	✓	✓	✓				
warm	✓	✓	✓	✓	✓		
cold	✓	✓	✓	✓	✓		
eco cold	✓	✓	✓		✓	✓	
soil							
heavy	✓	✓	✓				
normal	✓	✓	✓		✓		
light			✓	✓	✓		
extra light			✓	✓	✓		
spin							
high	✓	✓	✓	✓		✓	
medium	✓	✓	✓		✓	✓	
low		✓	✓		✓	✓	
no spin		✓	✓		✓	✓	
options							
StainTreat	✓	✓	✓				
extra rinse	✓	✓	✓		✓	✓	
wrinkle release	✓	✓	✓		✓		
delay start	✓	✓	✓	✓	✓	✓	
lock	✓	✓	✓	✓	✓	✓	
press & hold chime	✓	✓	✓	✓	✓	✓	

NO OPTIONS AVAILABLE WITH THIS CYCLE
DO NOT LOAD ANY ITEMS IN DRUM DURING SYSTEM CLEAN CYCLE

Settings Chart - 500 Series Washer



These temperature, spin speeds, soil levels and options are available with the following cycles:

	heavy duty	whitest whites	normal	casual	colors	18 ^{min} fast wash	delicates	rinse & spin	clean washer
temp									
sanitize	✓	✓	✓						
hot	✓	✓	✓						
warm	✓	✓	✓	✓	✓	✓	✓		
cold	✓	✓	✓	✓	✓	✓	✓		
eco cold	✓	✓	✓	✓	✓		✓	✓	
soil									
max	✓	✓	✓		✓				
heavy	✓	✓	✓		✓				
normal	✓	✓	✓	✓	✓		✓		
light			✓	✓	✓	✓	✓		
extra light			✓	✓	✓	✓	✓		
spin									
max	✓	✓	✓		✓	✓		✓	
high	✓	✓	✓	✓	✓			✓	
medium	✓	✓	✓	✓	✓		✓	✓	
low		✓	✓	✓	✓		✓	✓	
no spin		✓	✓	✓	✓		✓	✓	
options									
StainTreatII	✓	✓	✓	✓	✓				
perfect steam™	✓	✓	✓	✓	✓	✓			
extra rinse	✓	✓	✓	✓	✓		✓	✓	
wrinkle release	✓	✓	✓	✓	✓		✓		
extended refresh	✓	✓	✓	✓	✓				
delay start	✓	✓	✓	✓	✓	✓	✓	✓	
lock	✓	✓	✓	✓	✓	✓	✓	✓	
press & hold chime	✓	✓	✓	✓	✓	✓	✓	✓	

NO OPTIONS AVAILABLE WITH THIS CYCLE.
 DO NOT LOAD ANY ITEMS IN DRUM DURING SYSTEM CLEAN CYCLE.

Settings Chart - 600 Series Washer



These temperature, spin speeds, soil levels and options are available with the following cycles:



heavy duty	whitest whites	normal	casual	colors	15 ^{min} fast wash	delicates	rinse & spin	clean washer
------------	----------------	--------	--------	--------	-----------------------------	-----------	--------------	--------------

temp	heavy duty	whitest whites	normal	casual	colors	15 ^{min} fast wash	delicates	rinse & spin	clean washer
sanitize	✓	✓	✓						
hot	✓	✓	✓						
warm	✓	✓	✓	✓	✓	✓	✓		
cold	✓	✓	✓	✓	✓	✓	✓		
eco cold	✓	✓	✓	✓	✓		✓	✓	
soil									
max	✓	✓	✓		✓				
heavy	✓	✓	✓		✓				
normal	✓	✓	✓	✓	✓		✓		
light			✓	✓	✓	✓	✓		
extra light			✓	✓	✓	✓	✓		
spin									
max	✓	✓	✓		✓	✓		✓	
high	✓	✓	✓	✓	✓			✓	
medium	✓	✓	✓	✓	✓		✓	✓	
low		✓	✓	✓	✓		✓	✓	
no spin		✓	✓	✓	✓		✓	✓	
options									
StainSoak	✓	✓	✓	✓	✓				
perfect steam™	✓	✓	✓	✓	✓	✓			
extra rinse	✓	✓	✓	✓	✓		✓	✓	
wrinkle release	✓	✓	✓	✓	✓		✓		
extended refresh	✓	✓	✓	✓	✓				
delay start	✓	✓	✓	✓	✓	✓	✓	✓	
lock	✓	✓	✓	✓	✓	✓	✓	✓	
press & hold chime	✓	✓	✓	✓	✓	✓	✓	✓	

NO OPTIONS AVAILABLE WITH THIS CYCLE
DO NOT LOAD ANY ITEMS IN DRUM DURING SYSTEM CLEAN CYCLE.

✓ Available selections.

▒ Factory presets.

■ Non-modifiable presets.

Stain Removal Guide

Stain Removal Procedures

To reduce the risk of fire or serious injury to persons or property, comply with the basic warnings listed below:

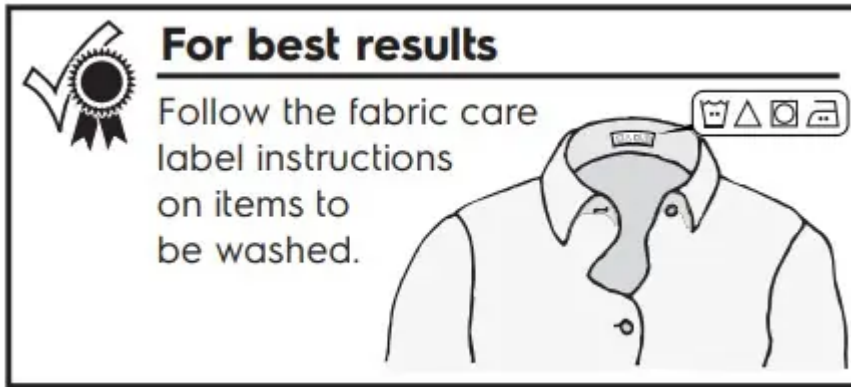
- Read and comply with all instructions on stain removal products.

- Keep stain removal products in their original labeled containers and out of children's reach.
- Thoroughly wash any utensils used.
- Do not combine stain removal products, especially ammonia and chlorine bleach. Dangerous fumes can result.
- Never wash items which have been previously cleaned in, washed in, soaked in or spotted with gasoline, dry cleaning solvents or other flammable or explosive substances because they give off vapors that could ignite or explode.
- Never use highly flammable solvents, such as gasoline, inside the home. Vapors can explode on contact with flames or sparks.



For Successful Stain Removal:

- Remove stains promptly.
- Determine the kind of stain, then follow the recommended treatment in the stain removal chart on the next page.
- To pretreat stains, use a prewash product, liquid detergent, or a paste made from powder detergent and water.
- Use cold water on unknown stains as hot water can set stains.
- Consult care label instructions for treatments to avoid on specific fabrics.
- Check for colorfastness by testing stain remover products on an inside seam.
- Rinse and wash items after stain removal.



Stain Removal Suggestions

Adhesive tape, chewing gum, rubber cement

- Apply ice. Scrape off excess. Place stain face down on paper towels. Saturate with prewash stain remover or nonflammable dry cleaning fluid.

Baby formula, dairy products, egg

- Use product containing enzymes to pretreat or soak stains. Soak for 30 minutes or more. Wash.

Beverages (coffee, tea, soda, juice, alcoholic beverages)

- Pretreat stain. Wash using cold water and bleach safe for fabric.

Blood

- Rinse with cold water. Rub with bar soap. Or, pretreat or soak with product containing enzymes. Wash using bleach safe for fabric.

Candle wax, crayon

- Scrape off surface wax. Place stain face down between paper towels. Press with warm iron until wax is absorbed. Replace paper towels frequently. Treat remaining stain with prewash stain remover or nonflammable dry cleaning fluid. Hand wash to remove solvent. Wash using bleach safe for fabric.

Chocolate

- Pretreat or soak in warm water using product containing enzymes. Wash using bleach safe for fabric.

Collar or cuff soil, cosmetics

- Pretreat with prewash stain remover or rub with bar soap.

Dye transfer on white fabric

- Use packaged color remover. Wash using bleach safe for fabric

Grass

- Pretreat or soak in warm water using product containing enzymes. Wash using bleach safe for fabric.

Grease, oil, tar (butter, fats, salad dressing, cooking oils, car grease, motor oils)

- Scrape residue from fabric. Pretreat. Wash using hottest water safe for fabric. For heavy stains and tar, apply nonflammable dry cleaning fluid to back of stain. Replace towels under stain frequently. Rinse thoroughly. Wash using hottest water safe for fabric.

Ink

- Some inks may be impossible to remove. Washing may set some inks. Use prewash stain remover, denatured alcohol or nonflammable dry cleaning fluid.

Mildew, scorch

- Wash with chlorine bleach if safe for fabric. Or, soak in oxygen bleach and hot water before washing. Badly mildewed fabrics may be permanently damaged.

Mud

- Brush off dry mud. Pretreat or soak with product containing enzymes.

Mustard, tomato

- Pretreat with prewash stain remover. Wash using bleach safe for fabric.

Nail polish

- May be impossible to remove. Place stain face down on paper towels. Apply nail polish remover to back of stain. Repeat, replacing paper towels frequently. Do not use on acetate fabrics.

Paint, varnish

- WATER BASED: Rinse fabric in cool water while stain is wet. Wash. Once paint is dry, it cannot be removed. OIL BASED AND VARNISH: Use solvent recommended on can label. Rinse thoroughly before washing.

Perspiration

- Use prewash stain remover or rub with bar soap. Rinse. Wash using nonchlorine bleach in hottest water safe for fabric.

Rust, brown or yellow discoloration

- Use rust remover safe for fabric. Do not use chlorine bleach because it may intensify discoloration.

Shoe polish

- LIQUID: Pretreat with a paste of powder detergent and water. PASTE: Scrape residue from fabric. Pretreat with prewash stain remover or nonflammable dry cleaning fluid. Rinse. Rub detergent into dampened area. Wash using bleach safe for fabric.

Tomato

- Pretreat with prewash stain remover. Wash using bleach safe for fabric.

Urine, vomit, mucus, feces

- Pretreat or soak in product containing enzymes. Wash using bleach safe for fabric.

Wine

- Pretreat or soak in cold water. Wash in hottest water and bleach safe for fabric

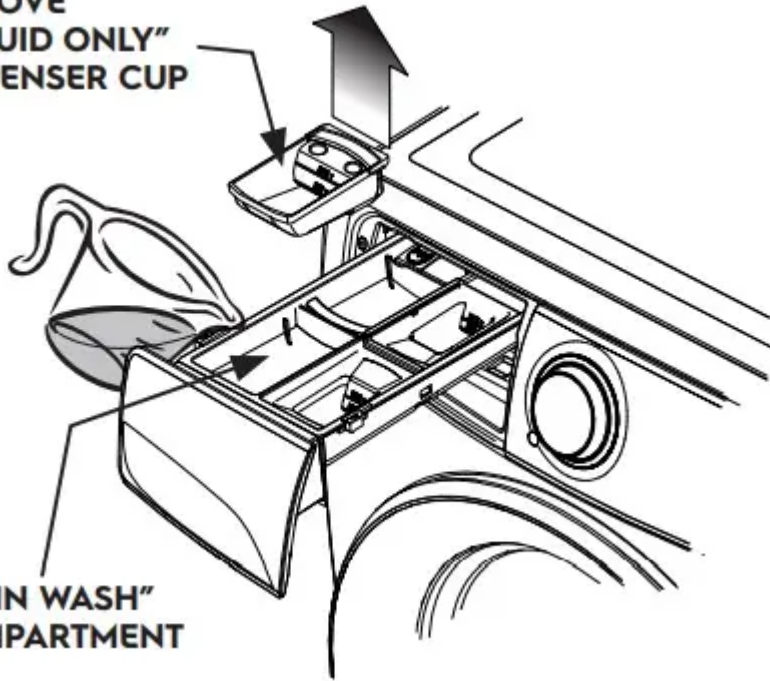
Care & Cleaning

To help prevent odors or humidity accumulation leave the door open with the door stand ventilation feature for a few hours after use or whenever the washer is not in use.

To Refresh or Clean Inside of Washer


- To clean and freshen the washer, perform the clean washer cycle. For best results perform the cycle once a month.
- To begin the cycle, select the clean washer cycle. If installed, remove the "LIQUID ONLY" cup from the dispenser. REMOVE ALL ITEMS FROM WASH DRUM before filling the detergent chamber with one (1) cup of liquid chlorine bleach OR one (1) pouch of Tide® Washing Machine Cleaner. DO NOT use both. Press start to begin.

REMOVE
"LIQUID ONLY"
DISPENSER CUP



"MAIN WASH"
COMPARTMENT

IMPORTANT Items left in washer while performing the clean washer cycle will cause a severe out-of-balance situation that could damage the washing machine.

 **For best results**
Immediately follow up with a **rinse & spin** cycle. Select **max spin** with no detergent or bleach to help clear any residual bleach left after the **clean washer** cycle.

WARNING! HARMFUL VAPOR HAZARD: Do not use or mix liquid chlorine bleach with other household chemicals such as toilet cleaners, rust removers, acid or products containing ammonia. These mixtures can produce dangerous fumes which can cause serious injury or death.

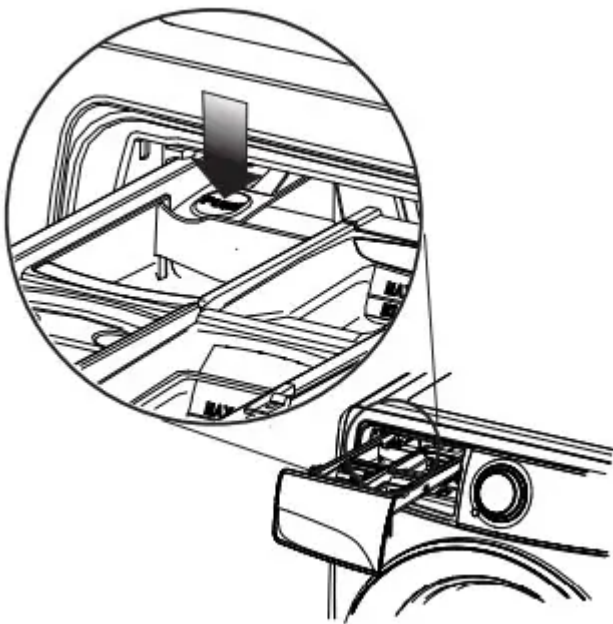


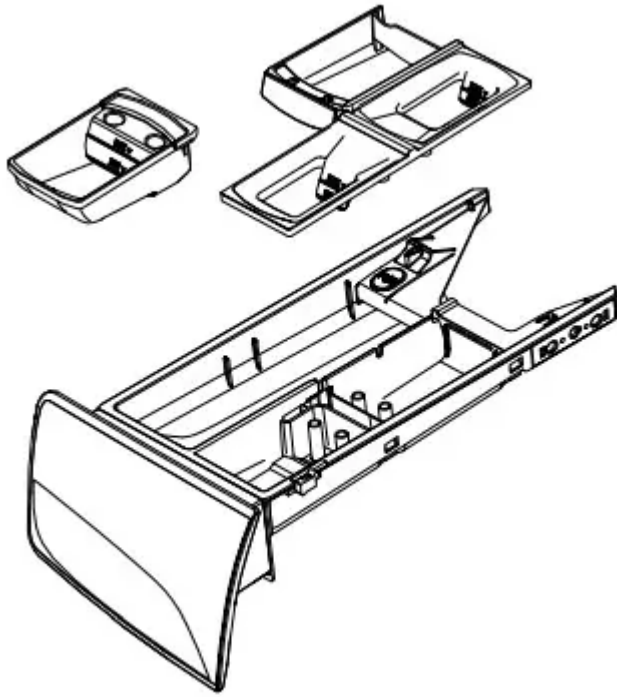
Other Inside Routine Cleaning (Preventative)

Cleaning Dispenser Drawer Area

- Remove the drawer by pulling the drawer out until it stops.

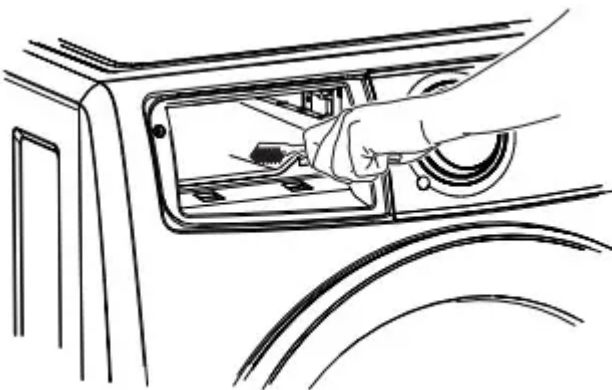
- Reach back into the left rear corner of the drawer cavity and press down firmly on the lock tab. Pull out the drawer.
- Remove the insert from the prewash, bleach, and fabric softener compartments.
- Rinse the drawer and inserts with hot tap water to remove traces of accumulated powders and liquids. Large amounts of fabric softener residue may indicate improper dilution or more frequent cleaning is required.
- To clean the drawer opening, use a small brush to clean the recess. Remove all residue from the upper and lower parts of the recess.
- Replace the insert by pressing it in place until you hear a slight click. Return the dispenser drawer.





Daily Preventative Maintenance

- Remove items from the washer as soon as the cycle ends. Excess wrinkling, color transfer, and odors may develop in items left in the washer.
- If there are no small children or pets present, you may leave the door ajar with the door stand ventilation feature when the washer is not in use.
- Dry around the washer door opening, flexible gasket, and door glass. These areas should always be clean to ensure a water tight seal.
- When extremely soiled items have been washed, a dirty residue may remain on the drum. Remove this by wiping the drum with a nonabrasive household cleanser. Rinse thoroughly with water.
- Periodically, wipe dry the folds in the bottom of the flexible gasket to remove lint and other debris.

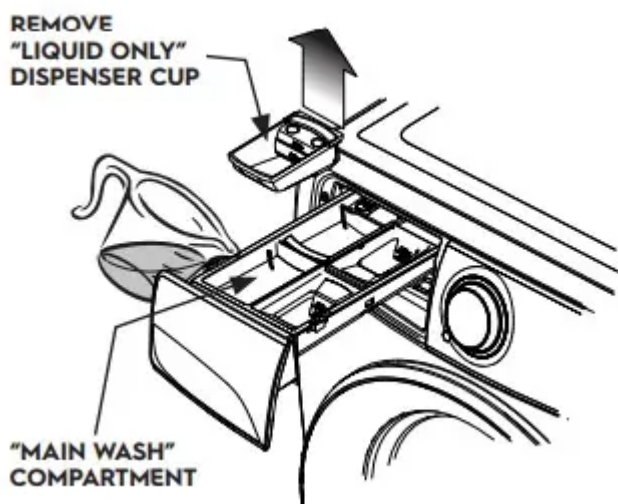


Inside Cleaning (Aggressive)

In cases where clean washer cycle along with care and cleaning of rubber gasket folds isn't done, and severe odor or residue buildup have developed, follow the below cleaning procedure to help alleviate the problem.

Cleaning Procedure - Washer Drum

- Ensure the wash tub is empty. If installed, remove the LIQUID ONLY cup from the dispenser. Open the detergent drawer and pour eight cups of bleach into the MAIN WASH detergent compartment. Select clean washer cycle as described previously in Inside Routine Cleaning (Preventative).
- Upon cycle completion inspect the interior of the washer to see if the odor/residue has been eliminated. If any additional cleaning is required, repeat the above procedure. This may take several cycles depending on the severity of the odor/residue. You may observe some remaining discoloration due to the long term effects of this residue.
- For especially contaminated areas visible inside the drum (including the front rubber seal), these areas might be more effectively cleaned by spraying a bleach cleaner on a scrub brush, soft sponge, or towel and scrubbing.



If odor is still left after bleach cycle(s) and bleach cleaner, open the detergent drawer and pour one (1) pouch of Tide® Washing Machine Cleaner in detergent drawer. Select clean washer cycle as above and start the washer.



For best results

Immediately follow up with a **rinse & spin** cycle. Select **max spin** with no detergent or bleach to help clear any residual bleach left after the **clean washer** cycle.

WARNING! HARMFUL VAPOR HAZARD: Do not use or mix liquid chlorine bleach with other household chemicals such as toilet cleaners, rust removers, acid or products containing ammonia. These mixtures can produce dangerous fumes which can cause serious injury or death.



Outside Routine Cleaning

- When washing is completed, wipe top and sides of washer with a damp cloth.
- Clean the cabinet with mild soap and water. Never use harsh, gritty or abrasive cleansers
- If the cabinet becomes stained, clean with diluted chlorine bleach (1 part bleach to 8 parts water). Rinse several times with clear water.
- Remove glue residue from tape or labels with a mixture of warm water and mild detergent. Or, touch residue with the sticky side of tape.
- When cleaning chrome parts, it is best to use only a damp cloth.
- Before moving the washer, place a strip of cardboard or thin fiberboard under the front leveling legs to prevent damage to the floor.

IMPORTANT: Do not store or place laundry products on top of washer at any time. They can damage the finish or controls. It is recommended to keep laundry products in the storage drawer between cycles if installed on a pedestal.



Winterizing Instructions

IMPORTANT: If the washer is stored in an area where freezing can occur or moved in freezing temperatures, follow these winterizing instructions to prevent damage to the washer:



1. Turn off water supply faucets.
2. Disconnect hoses from water supply and drain water from hoses. Vacuum out each water supply inlet with a waterproof utility vac to ensure water valves are completely drained. Damage will occur if water in water inlet valves are allowed to freeze.
3. Plug electrical cord into a properly grounded electrical outlet.
4. Add 1 gallon (3.8 L) nontoxic recreational vehicle (RV) antifreeze to empty wash drum. Close door.
5. Select any cycle. Press start and let the washer drain for 1 minute to drain out all the water. Not all of the RV antifreeze will be expelled.
6. Press cancel, unplug electrical power cord, dry off drum interior and close door.
7. Remove dispenser drawer. Drain any water in compartments and dry compartments. Replace drawer.
8. Store washer in an upright position.
9. To remove antifreeze from washer after storage, run empty washer through a complete cycle using detergent. Do not add wash load.

Solutions to Common Inquiries

Common Washing Inquiries

Many washing problems involve poor soil and stain removal, residues of lint and scum, and fabric damage. For satisfactory washing results, follow these suggestions provided by The Soap and Detergent Association.

Blue stains

POSSIBLE CAUSES

- Undiluted liquid detergent or fabric softener dispensed directly onto fabric

SOLUTIONS

- If caused by detergent, mix 1 cup (240 ml) white vinegar with 1 quart (.95 L) water in a plastic container. Soak item 1 hour. Rinse.
- If caused by fabric softener, rub stains with bar soap. Wash.

PREVENTIVE MEASURES

- Avoid overfilling detergent and fabric softener compartments of dispenser.

Discoloration, graying

POSSIBLE CAUSES

- Not enough detergent.
- Wash water temperature too low.
- Incorrect sorting.

SOLUTIONS

- Rewash with correct amount of detergent and hottest water safe for fabric.
- Add bleach safe for fabric.

PREVENTIVE MEASURES

- Sort items by soil level and color.
- Use correct amount of detergent, hottest water and bleach safe for fabric.

Greasy, oily stains

POSSIBLE CAUSES

- Not enough detergent.
- Undiluted liquid fabric softener poured directly on fabric.

SOLUTIONS

- Treat with prewash stain remover or liquid detergent.
- Increase detergent and water temperature. Rewash.
- Rub fabric softener stains with bar soap.

PREVENTIVE MEASURES

- Use correct amount of detergent and hottest water safe for fabric.
- Do not pour liquid fabric softener directly on fabric. See Operating Your Washer.

Holes, tears, or snags

POSSIBLE CAUSES

- Incorrect use of chlorine bleach.

- Unfastened zippers, hooks, buckles.
- Rips, tears and broken threads.
- Overloading the washer.
- Degradation of fabric.

SOLUTIONS

- May be irreversible if rips, tears and seams cannot be mended

PREVENTIVE MEASURES

- Never pour chlorine bleach directly on fabric.
- Check condition of items before washing. See Operating Your, steps 2 and 5.

Lint

POSSIBLE CAUSES

- Incorrect sorting.
- Tissues left in pocket.
- Overloading the washer.
- Not enough detergent.
- Undissolved detergent has left a residue resembling lint.
- Static cling is attracting lint.
- Load washed too long.

SOLUTIONS

- Reduce load size. Rewash using correct water temperature, water level, and amount of detergent.
- Add nonprecipitating water conditioner to wash water to remove detergent residue.
- Add liquid fabric softener to final rinse.
- Dry load in dryer.
- Remove lint with lint brush or roller

PREVENTIVE MEASURES

- See Operating Your Washer.
- Do not overload washer.
- Use correct temperature and amount of detergent, water and wash time.

Pilling (Fibers ball up and cling to fabric.)

POSSIBLE CAUSES

- Pilling is normal with synthetic and permanent press fabrics. This is due to abrasion from normal wear.

SOLUTIONS

- Use a lint brush or shaver to remove pills.

PREVENTIVE MEASURES

- Use fabric softener in the washer to lubricate fibers.
- When ironing, use spray starch or fabric finish on collars and cuffs.
- Turn items inside out to reduce abrasion.

Residue or powder on dark items; Stiff , harsh fabrics.

POSSIBLE CAUSES

- Undissolved detergent.
- Some granular detergents can combine with hard water minerals to form a residue.
- Overloading the washer.

SOLUTIONS

- Rewash load.

PREVENTIVE MEASURES

- Increase water temperature using hottest water safe for fabric.
- Do not overload washer.
- Use liquid detergent or use nonprecipitating water conditioner with powder detergent.

Wrinkling

POSSIBLE CAUSES

- Overloading the washer.
- Incorrect wash cycle for wash load.

SOLUTIONS

- Reduce load size.
- Rinse in cold water with liquid fabric softener using the casual or delicate cycle.

PREVENTIVE MEASURES

- Do not overload washer.
- Remove items from washer as soon as cycle is completed.
- Use liquid fabric softener

Yellow buildup of body soil on synthetic fabrics

POSSIBLE CAUSES

- Agitation time too short
- Wash water temperature too low.
- Not enough detergent.

SOLUTIONS

- Soak in detergent booster or product containing enzymes.
- Wash in hottest water safe for fabric using casual cycle.
- Increase detergent.
- Add bleach safe for fabric or treat with color remover.

PREVENTIVE MEASURES

- Select correct wash cycle.
- Use correct amount of detergent.
- Wash synthetics frequently using hot or warm water.

Yellow or brown rust stains

POSSIBLE CAUSES

- Iron or manganese in water supply, water pipes, or water heater.

SOLUTIONS

- To restore discolored load of whites, use rust remover safe for fabric.
- Do not use chlorine bleach to remove rust stains. It may intensify discoloration.

PREVENTIVE MEASURES

- Use nonprecipitating water softener.
- Before washing, run hot water for a few minutes to clear lines.
- Drain water heater occasionally.
- For an ongoing problem, install an iron filter in your water supply system.

Residue stain buildup in gasket

POSSIBLE CAUSES

- Moisture in the washer.
- Use of non-HE detergent.
- Overdosing detergent.
- Overloading wash drum.
- Leaving a wet load set in washer.

- Cold water washes which may not completely dissolve and remove detergents.

SOLUTIONS

- Perform CLEAN WASHER cycle
- Scrub gasket with Comet™ Spray Gel Mildew Stain Remover using brush to remove stains.
- Use only HE (high efficiency detergent) along with recommended dosage.
- Remove wash load immediately upon cycle completion.

PREVENTIVE MEASURES

- Run dehumidifier in laundry room.
- Avoid overfilling detergent and fabric softener compartments of dispenser.
- Dry the inside of washer and gasket after every run.

Residue stain buildup in dispenser drawer

POSSIBLE CAUSES

- Moisture in the washer.
- Use of non-HE detergent.
- Overdosing detergent

SOLUTIONS

- Remove dispenser drawer and wipe dispenser and inserts with combination of ¾ cup liquid chlorine bleach and one gallon hot water. Rinse well, and repeat if necessary. Return drawer to location. NOTE: Wear rubber or latex gloves. Protect floor and clothing from bleach damage.
- Use only HE (high efficiency detergent) along with recommended dosage.

PREVENTIVE MEASURES

- Avoid overfilling detergent and fabric softener compartments of dispenser.

Water in fold of flexible gasket

POSSIBLE CAUSES

- Result of washing and part of normal operation

SOLUTIONS

- At the end of each wash, dry inside of gasket fold with clean dry towel all around gasket.

Odor

POSSIBLE CAUSES

- Moisture in the washer.
- Use of non-HE detergent.
- Overdosing detergent.
- Leaving a wet load remain in washer.
- Cold water washes which may not completely dissolve and remove detergents.

SOLUTIONS

- Perform clean washer cycle.
- At the end of each wash, dry inside of gasket fold with clean, dry towel all around gasket.
- Use only HE (high efficiency detergent) along with recommended dosage
- Remove wash load immediately upon cycle completion.
- Pour one cup liquid chlorine bleach in standpipe; let remain a day and flush with water.

PREVENTIVE MEASURES

- Utilize the door stand ventilation feature for a few hours after use or whenever washer is not in use.

Service Prevention Checklist

Before calling for service, review this list. It may save both time and expense. The list includes common occurrences that are not the result of defective workmanship or materials in this washer.

NOISE

High pitch “jet engine” noise.

- A certain amount of motor whine is normal during the spin cycle.

Rattling and clanking noise.

- Foreign objects such as coins or safety pins may be in drum or pump.
 - Stop washer and check drum. If no objects are found, perform cycle with empty drum. If noise continues, item may be in pump. Call your authorized servicer.
- Belt buckles and metal fasteners are hitting wash drum.
 - To prevent unnecessary noise and damage to drum, fasten fasteners and turn items inside out.

Thumping sound.

- Heavy wash loads may produce a thumping sound. This is usually normal. If sound continues, washer is probably out of balance.
 - Stop washer and redistribute wash load.

Vibrating noise.

- Washer is not resting firmly on floor.
 - Move washer so it rests firmly on floor. Adjust leveling legs. See INSTALLATION INSTRUCTIONS for details.
- Shipping bolts and foam block have not been removed during installation.
 - See INSTALLATION INSTRUCTIONS for removing shipping bolts and foam block.
- Wash load unevenly distributed in drum.
 - Stop washer and rearrange wash load.

OPERATING

Washer does not start.

- Electrical power cord may not be plugged in or connection may be loose.
 - Make sure plug fits tightly in wall outlet.
- House fuse blown, circuit breaker tripped, or a power outage has occurred.
 - Reset circuit breaker or replace fuse. Do not increase fuse capacity. If problem is a circuit overload, have it corrected by a qualified electrician. If problem is a power outage, call local electric company.
- Action of pressing start button on “touch screen” style console not recognized
 - Press start button with bare fingertip.
- Water supply faucets are not turned on.
 - Turn on water supply faucets.
- Motor is overheated. Washer motor will stop if it becomes overheated.
 - It will automatically restart after a cool down period of up to 30 minutes (if washer has not been manually turned off).
- Door may be open. Unit will not operate with door open.
 - Ensure door is closed.
- Light next to start/pause button is flashing indicating unit is paused.
 - Press start button to continue the cycle.

Washer won't spin.

- Load is too small.
 - Add 1 or 2 similar items to help balance the load.

Residue left in drum.

- Heavily soiled items.
 - Wipe drum with a nonabrasive household cleanser, then rinse. Shake or brush excess dirt and sand from items before washing

LED displays "dn".

- Washer has been programmed to temporarily perform a repeating demo cycle.
 - Reset the unit back to factory default settings as described earlier.

WATER

Water collects in folds of the door gasket at the end of the cycle.

- This is a result of the washing action and is part of the normal operation of the washer.

Water collects in bleach and fabric softener compartments.

- This is a result of the siphoning action and is part of the normal operation of the washer.
 - Water may be removed by removing the dispenser drawer (see Care and Cleaning in this guide) and draining water into the empty drum or sink.

Wash load too wet after spin.

- Washer is overloaded.
 - Do not overload washer. See Operating Your Washer, step 4.
- Load is too small.
 - Add 1 or 2 similar items to help balance the load.
- Load is out of balance.
 - Rearrange load to allow proper spinning.
- Drain hose is kinked.
 - Straighten drain hose.

Water does not enter washer or it enters slowly

- Water supply is not adequate in area.
 - Check another faucet in the house. Wait until water supply and pressure increase

- Water supply faucets are not completely open.
 - Fully open hot and cold faucets.
- Water is being used elsewhere in the house. Water pressure must be at least 30 psi (260 kPa).
 - Avoid running water elsewhere while washer is filling.
- Water inlet hoses are kinked.
 - Straighten hoses.
- Water inlet screens plugged.
 - Remove hose from inlets and clean screens.

Warm or hot water is not hot enough.

- Hot water heater is set too low or is a distance from washer.
 - Measure hot water temperature at nearby faucet with candy or meat thermometer. Water temperature should be at least 120°F (49°C). Adjust water heater as necessary.
- Hot water is being used elsewhere in the house.
 - Avoid using hot water elsewhere before or during washer use. There may not be enough hot water available for proper cleaning. If problem persists, your hot water system may be unable to support more than 1 use at a time.

Water in washer does not drain or drains slowly

- Drain hose is kinked or clogged.
 - Clean and straighten the drain hose.
- Drain hose standpipe is too tall. Maximum standpipe height is 8' (2.4 m).
 - Reduce standpipe height to less than 8' (2.4 m). See INSTALLATION INSTRUCTIONS.
- House drain pipes are clogged.
 - Unclog drain pipes. Contact plumber if necessary.

Water leaks.

- Fill hose connection is loose at faucet or washer.
 - Check and tighten hose connections. Install rubber sealing washers provided
- Dispenser drawer not completely closed
 - Close dispenser drawer completely

Oversudsing

- Wrong detergent.
 - Run rinse cycle. Use a low-sudsing, high efficiency detergent.
- Too much detergent.
 - Run rinse cycle. Use less detergent in future loads.

Incorrect wash and rinse temperatures. Center display will alert this condition with "HOSE" alarm. See Other Features for more information.

- Hot and cold water hoses are connected to wrong supply faucets.
 - Connect hot water hose to hot water faucet and cold water hose to cold water faucet.

Water is entering washer but tub does not fill.

- Drain hose standpipe is too low. Standpipe must be a minimum of 23.6" (60 cm) high to prevent siphoning.
 - Increase standpipe height to at least 23.6" (60 cm). See INSTALLATION INSTRUCTIONS.

Warning

This content is compiled from multiple sources and is provided for reference purposes only. It may not be complete or fully applicable to all situations. If you are unable to resolve your issue, please contact the product manufacturer or an authorized service provider for official support.