

Before Operation

Preparing for Operation

1. Plug in the power cord properly.
2. Use a dedicated circuit. Overloading the line could create a fire hazard.
3. Do not use an extension cord. See page 11 for more details.
4. Do not start/stop operation by plugging/unplugging the power cord.
5. If the power cord is damaged and requires replacement, have an Authorized Servicer install an exact replacement part.

Usage

1. Being exposed to direct airflow for an extended period of time could be hazardous to your health. Do not expose occupants, pets, or plants to direct airflow for extended periods of time.
2. Due to the possibility of oxygen deficiency, ventilate the room when used together with stoves or other heating devices.
3. Do not use this air conditioner for non-specified special purposes (e.g. preserving precision devices, food, pets, plants, and art objects). Such usage could damage the items.
4. The air conditioner is a consumer comfort appliance, not a precision climate control system.

Cleaning and Maintenance

1. Do not touch the metal parts of the unit when removing the filter. Injuries can occur when handling sharp metal edges.
2. Do not use water to clean inside the air conditioner. Exposure to water can destroy the insulation, leading to possible electric shock.
3. When cleaning the unit, first make sure that the power and breaker are turned off. The fan rotates at a very high speed during operation. There is a possibility of injury if the unit's power is accidentally triggered on while cleaning inner parts of the unit.

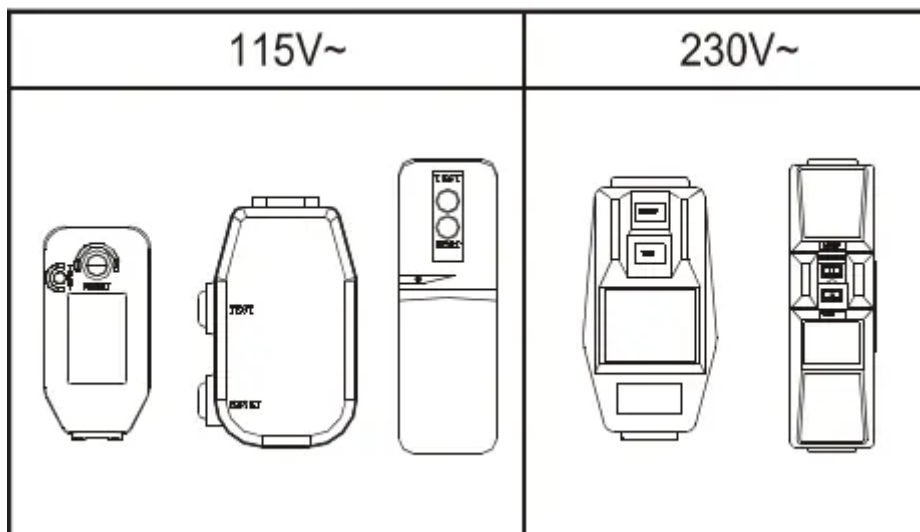
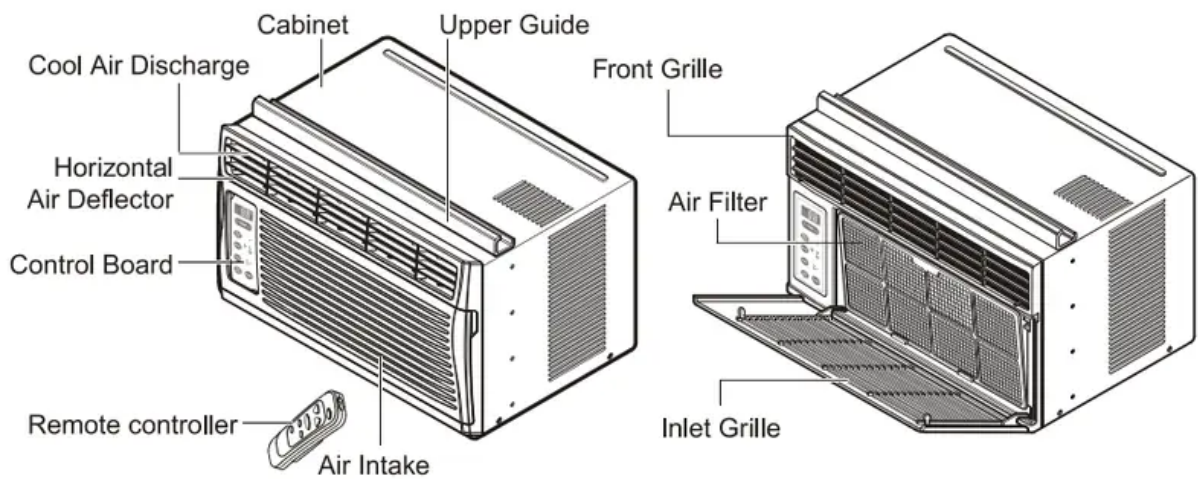
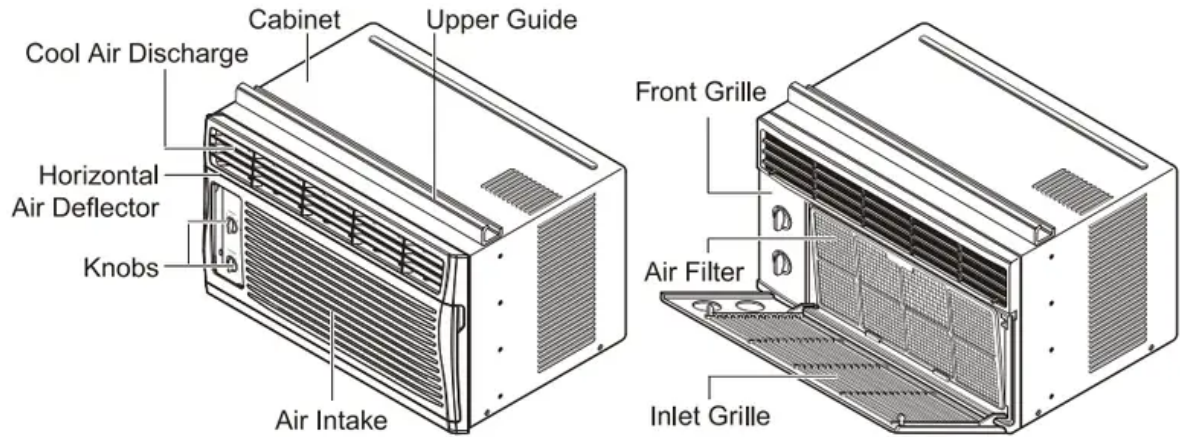
Service

For repair and maintenance, contact an Authorized Service Center. See the warranty page for details or call (800) 243-0000. Have your model number and serial number available. They should be written on page 2 of this manual.

Introduction

Features




WARNING: This appliance should be installed in accordance with the National Electric Code.



Power cord may include a current interrupter device. A test and reset button is provided on the plug case. The device should be tested on a periodic basis by first pressing the TEST button and then



the RESET button. If the TEST button does not trip or if the RESET button will not stay engaged, discontinue use of the air conditioner and contact a qualified service technician.

Use Wall Receptacle	Power Supply
 <p data-bbox="405 501 863 577">Standard 125V, 3-wire grounding receptacle rated 15A, 125V AC</p>	<p data-bbox="927 546 1251 651">Use 15 AMP. time delay fuse or 15 AMP. circuit breaker.</p>
 <p data-bbox="368 777 874 853">Standard 250V, 3-wire grounding receptacle rated 15A, 250V AC</p>	
 <p data-bbox="368 1046 874 1122">Standard 250V, 3-wire grounding receptacle rated 20A, 250V AC</p>	<p data-bbox="927 965 1251 1070">Use 20 AMP. time delay fuse or 20 AMP. circuit breaker.</p>

Use of extension cords

Because of potential safety hazards, we strongly discourage the use of an extension cord. However, if you wish to use an extension cord, use a CSA certified/UL-listed 3-wire (grounding) extension cord, rated 15A, 125V.

All wiring should be made in accordance with local electrical codes and regulations.

NOTICE

Aluminum house wiring may pose special problems. Consult a qualified electrician.

ELECTRICAL SAFETY

IMPORTANT GROUNDING INSTRUCTIONS

Air conditioner has a three-prong grounding plug on its power supply cord, which must be plugged into a properly grounded three-prong wall receptacle for your protection against possible shock hazard.

230, 208, and 2301208 VOLT UNITS

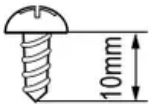
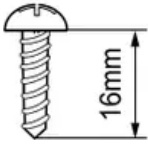

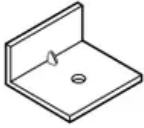


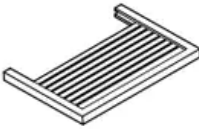



These units are equipped with a three-prong grounding plug on the power supply cord, which must be plugged into a matching properly grounded three-prong wall receptacle for your protection against possible shock hazard. If such an outlet is not present, one must be installed by a qualified electrician in accordance with the National Electrical Code and local codes and ordinances.

NOTICE

DO NOT USE AN EXTENSION CORD on 230, 208, and 230/208 Volt units.

Installation

<p>Type A: 11 EA (Short Screw)</p>	<p>Type B: 5 EA (Wood Screw)</p>	<p>Type C: 1 EA (Drain Joint Pipe + Drain Washer)</p>	<p>Type D: 3 EA (L Bracket)</p>
			
<p>Type E: 1 EA (Seal Strip)</p>	<p>Type F: 1 EA (Sash Seal)</p>	<p>Type G: 2 EA (Guide Panel)</p>	<p>Type H: 1 EA (Support Bracket)</p>
<p>(Adhesive backed)</p> 	<p>(Not adhesive backed)</p> 		

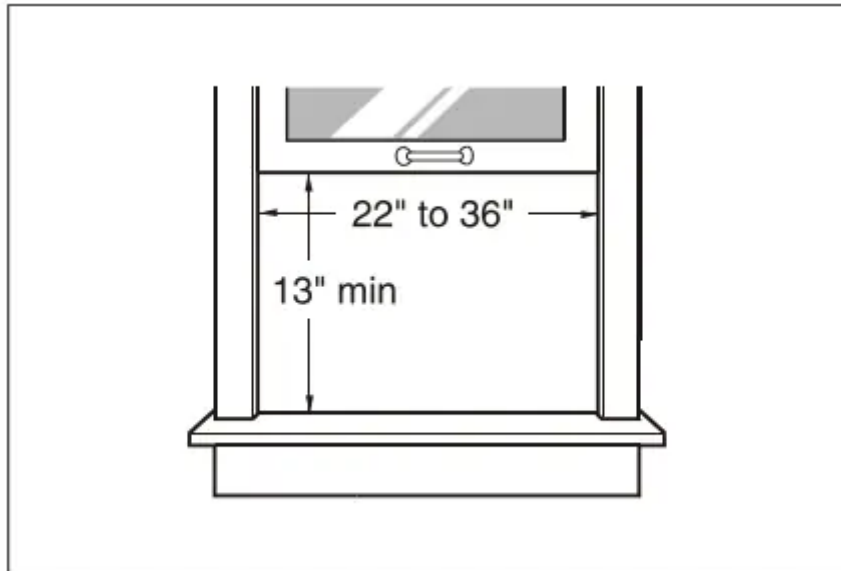
Have the following tools available for installation:

- * Screwdriver (Slotted and Phillips) * Ruler
- * Knife * Hammer
- * Pencil * Level

Window Requirements

Size





This room air conditioner is designed for installation in standard double-hung windows with actual opening widths from 22" to 36".

The upper and lower window sash must open sufficiently to allow a clear vertical opening of 13" from the bottom of the upper sash to the window stool.

WARNING: This product is a WINDOW AIR CONDITIONER.

As such, a standard single-hung or double-hung window is required for proper installation. Non-window installations, including using sleeves, holes in walls, and other installations are not recommended.

Clearance

Proper clearance enhances the cooling efficiency of the unit and prevents heat radiation of the condenser.

1. If a storm window presents interference, fasten a 2" wide wood strip to the inner window sill across the full width of the sill. The wood strip should be thick enough to raise the height of the window sill so that the unit can be installed without interference by the storm window frame.
2. See Figure. B. The top of the wood strip should be approximately W higher than the storm window frame (Storm Window Frame) or wood strip (Outdoors) to help condensation to drain properly to the outside.
3. Install a second wood strip (approximately 6" long by 1½" wide and same thickness as first strip) in the center of the sill flush against the back of the inner sill. This will raise the L bracket as shown Figure. B.
4. If the distance between Storm Window Frame and Wood Strip Mounted on Top of Inner Sill is more than 1", two of wood strips are not necessary.

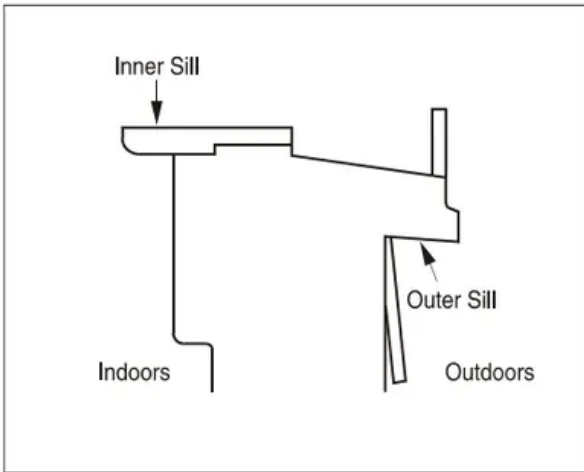


Figure. A

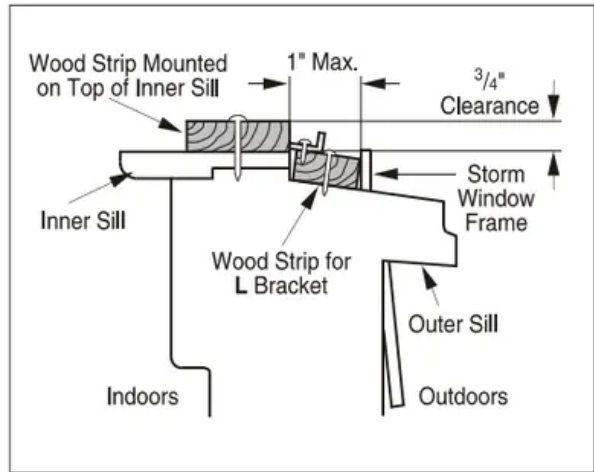
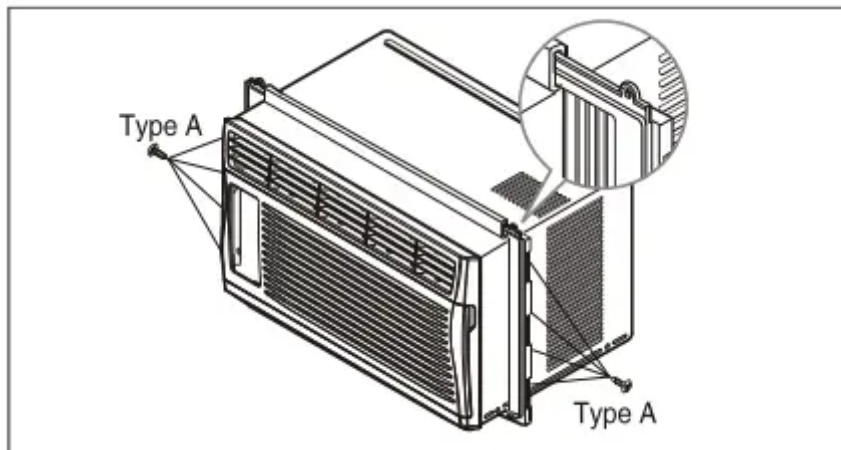


Figure. B

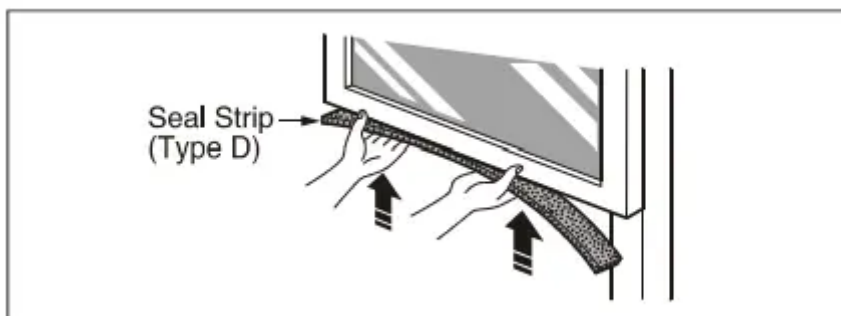
Preparation of Chassis

1. Insert the guide panels into the guides of the air conditioner. Fasten the curtains to the unit with screws (Type A).

Tip : Use a long screwdriver and installing the screws will be easier.

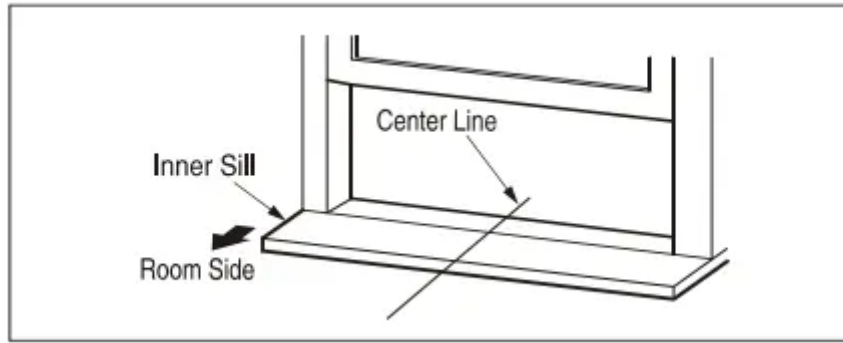


2. Cut the adhesive-backed seal strip (Type D) to the window width. Remove the backing from the seal strip and attach the seal strip to the underside of the bottom window.



3. Locating unit in window

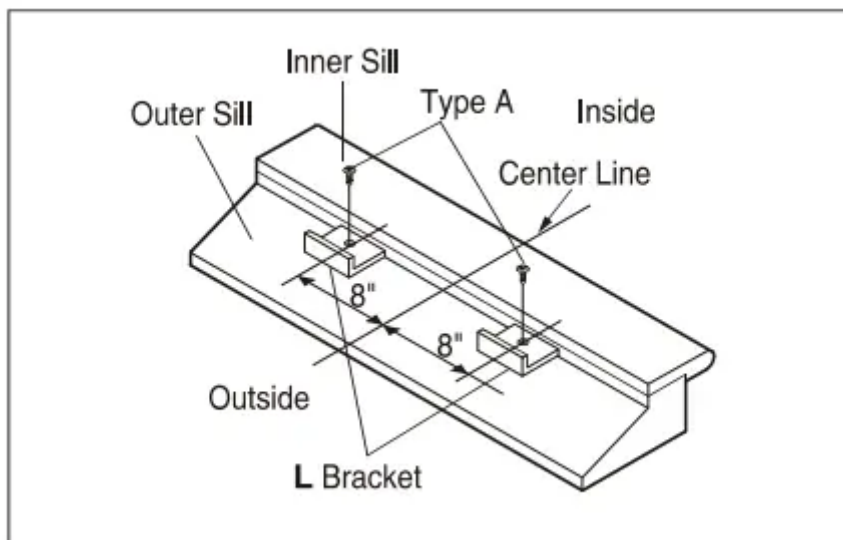
Open the window and mark center line on the center of the inner sill.



4. Attach L bracket

4.1. Install the L brackets behind the inner window sill, with short side of bracket as shown. Use the 2 screws (Type A) provided.

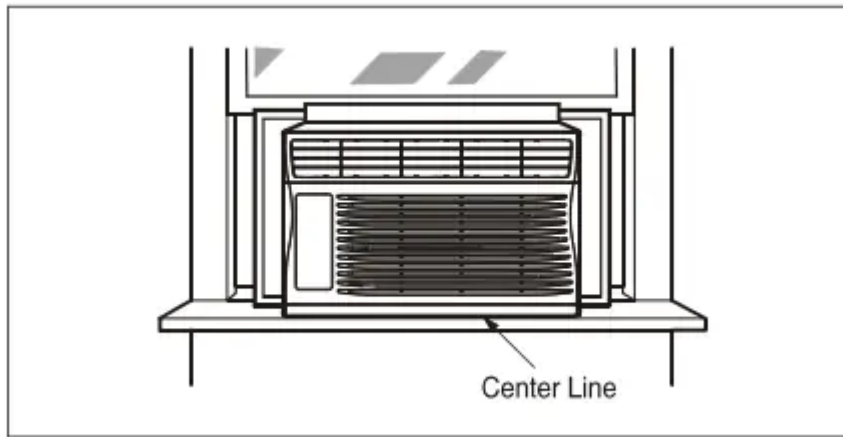
4.2. The bracket helps to hold unit securely in place. Be sure to place bracket edge flush against back of inner sill.



Unit Installation

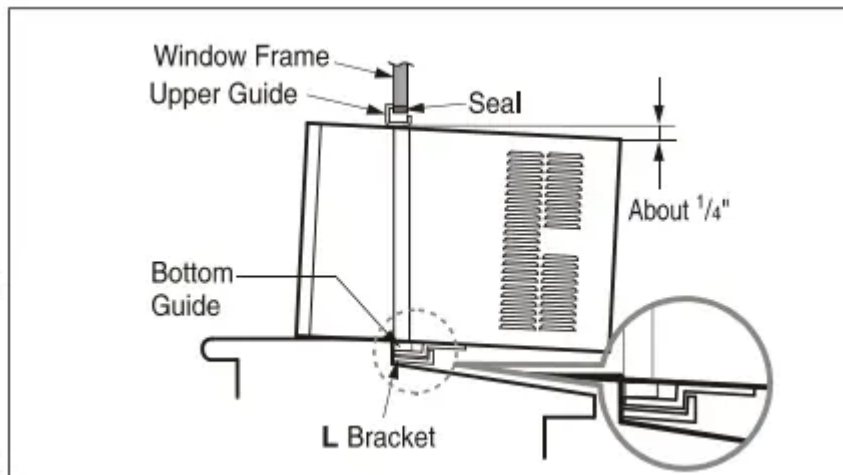
Caution: During the following step, hold unit firmly until window sash is lowered to top channel behind side panel frames. Personal injury or property damage may result if unit falls from window.

1. Install the air conditioner in the window



1-1. Carefully lift the air conditioner and slide it into the open window. Make sure the bottom guide of the air conditioner drops into the notches of the L bracket.

Tip : When the air conditioner drops into the L bracket, the air conditioner will be centered in window opening.



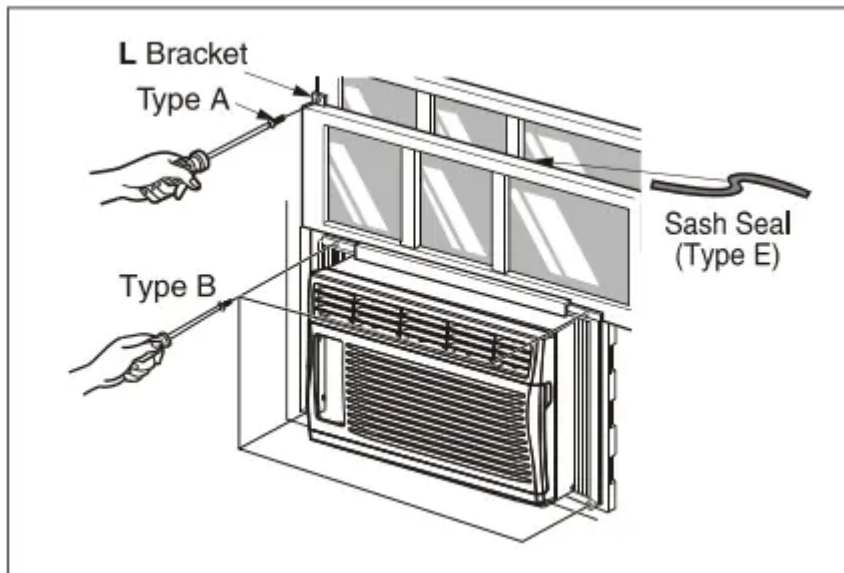
1-2. While steadying the air conditioner, carefully bring the window sash down behind the upper guide of the air conditioner.

When the air conditioner is properly installed, it should tilt slightly down at the back. If it is set correctly in the window, it will hang lower in the back automatically. If it does not, there is a problem with the installation.

2. Secure the guide panels

Extend the guide panels (Type F) to fill the window opening using 4 screws (Type B) to secure them.

3. Install the sash seal and sash lock

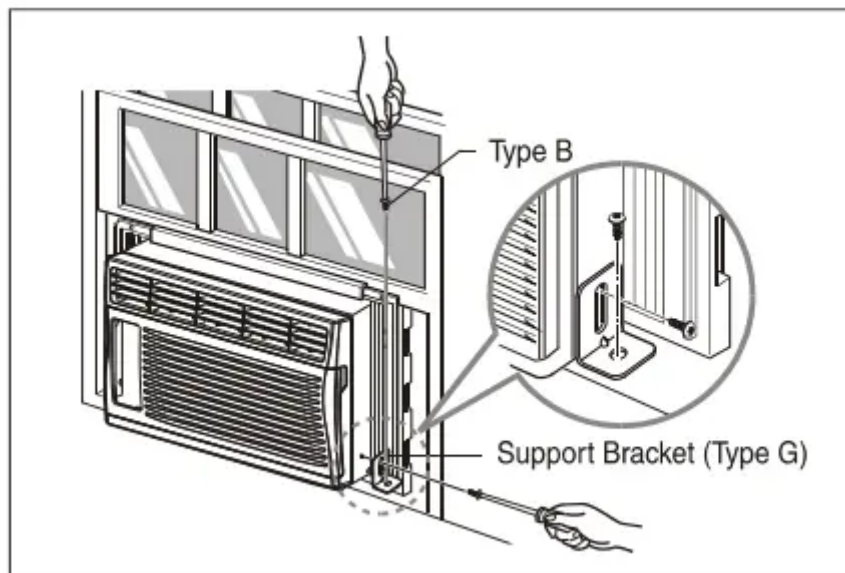


3-1. Cut the sash seal (Type E) to the window width. Stuff the sash seal between the glass and the window to prevent air and insects from getting into the room.

3-2. Fasten the L bracket using a screw (Type A).

3-3. Remove the screws that secure the cabinet and base pan in the right side.

3-4. Fasten the support bracket (Type G) using a screw removed from the air conditioner cabinet. Attach the support bracket (Type G) to the inner window sill with a screw (Type B).



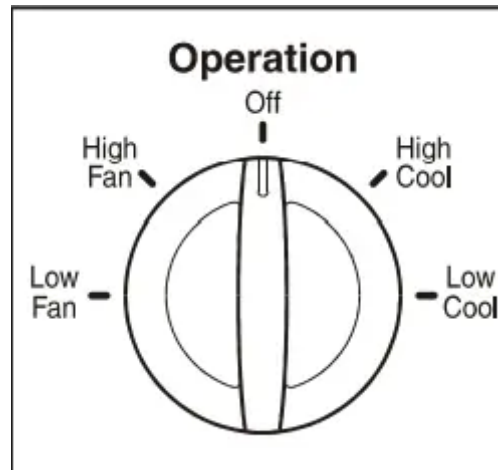
4. Window installation of room air conditioner is now completed.

See ELECTRICAL DATA for attaching power cord to electrical outlet.

Operating Instructions

Location and Function of Controls

CAUTION: If you turn off the air conditioner or switch from cooling to the fan, wait at least 3 minutes before setting to cooling again.



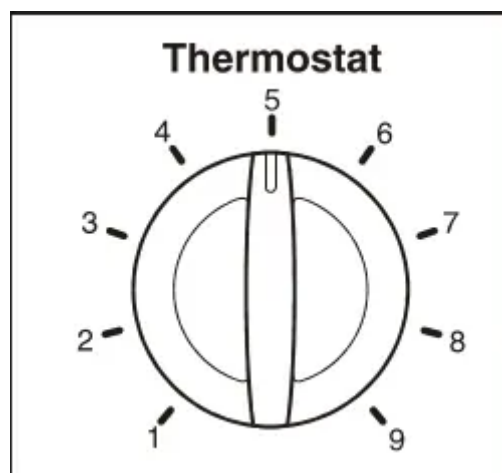
Off - Turns air conditioner off.

High Fan - High speed fan operation without cooling.

Low Fan - Low speed fan operation without cooling.

High Cool - Cooling with high speed fan operation.

Low Cool - Cooling with low speed fan operation.



This automatically controls the temperature of the indoor air.

Turn the knob so that arrow points to the larger marks for greater cooling. Point the arrow to the smaller marks for more moderate cooling.

(i.e. the higher the number, the greater the cooling)

FOR NORMAL COOLING

1. Turn the operation switch to the High Cool or the Low Cool setting.

2. Set the thermostat control to the desired temperature mark (the mid-point is a good starting position). If the room temperature is not satisfactory after a reasonable time, adjust the control to a cooler or warmer setting, as appropriate.

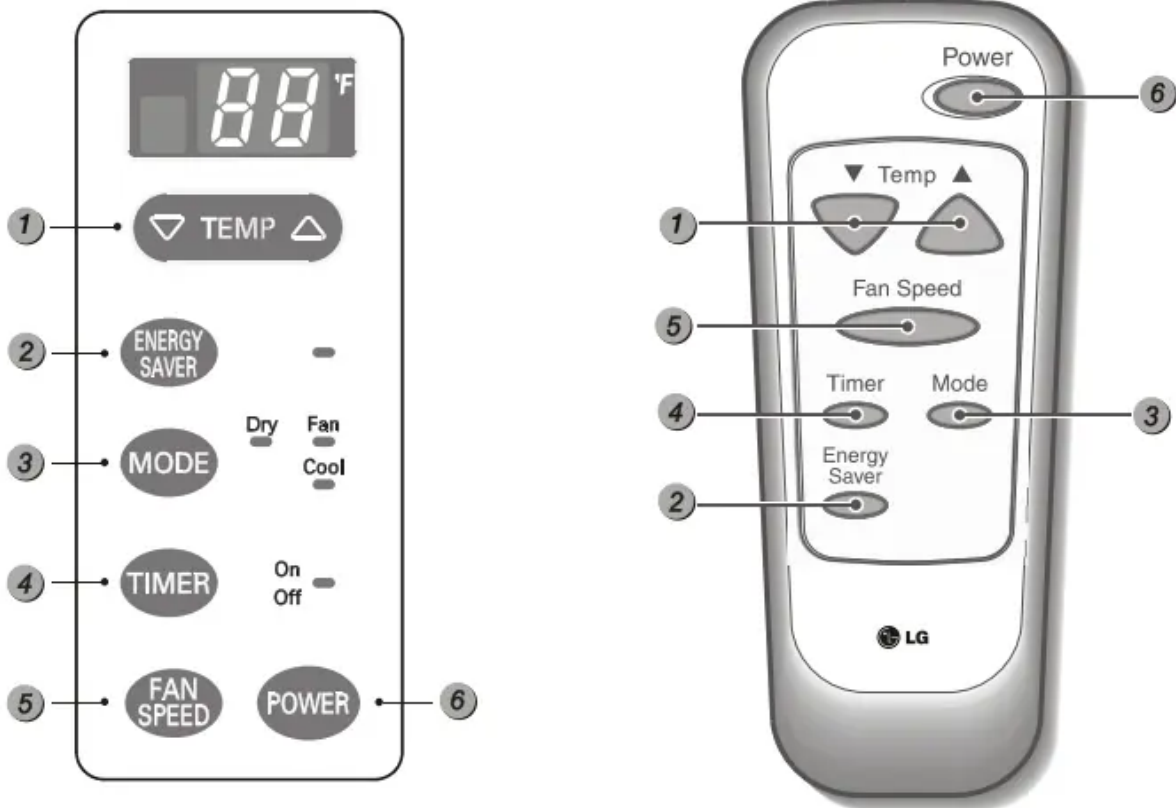
FOR MAXIMUM COOLING

1. Turn the operation switch to the High Cool setting.
2. Set the thermostat control to the largest temperature mark.

FOR QUIETER OPERATION

1. Turn the operation switch to the Low Cool setting.
2. Set the thermostat control as needed.

Remote Control Operations



1. Temperature Setting

- This button can automatically control the temperature of the room.

The temperature can be set within a range of 60 °F to 86 °F by 1°F.

Select the lower number for lower temperature of the room.

2. Energy Saver

The fan stops when the compressor stops cooling.

- Approximately every 3 minutes the fan will turn on and check the room air to determine if cooling is needed.

3. Fan/Cool/Dry

- Everytime you push this button, it will toggle between COOL, FAN, and DRY.

Cool: Compressor runs and cools the room<> Use the A / V and FAN buttons to set the desied temperature and circulation fan speed.

Fan: Fan circulate air but compressor does not run.

Use the FAN button to set the desired fan speed.

Dry: Dry model is used to remove humidity from the room without additional cooling.

Once the set temperature Is reached,the compressor and circulation fan turns off.

Fan speed Is pre-set and can't be adjusted.

4. On/Off Timer

- Stopping Operation

Each press of the button cycles through the options in this order: 1 Hour • 2 Hours • 3 Hours • 4 Hours • 5 Hours* 6Hours* 7Hours* 8Hours* 9Hours* 10Hours* 11 Hours* 12Hours* CANCEL.

The set temperature will be raised 2 F after 30 minutes and again after another 30 minutes.

- Stopping Operation

Each press of the button cycles through the options in this order: 1 Hour* 2 Hours* 3 Hours* 4 Hours* 5 Hours* 6Hours* 7Hours* 8Hours* 9Hours* 10Hours* 11 Hours* 12Hours* CANCEL.

5. FAN SPEED SELECTOR

For increased power while cooling, select a higher fan speed. 3 steps: High —Low—Med.

6. Power

To turn the unit ON, push the button. To turn the unit OFF, push the button again.

This button takes priority over any other buttons.

When the unit is first powered up, it defaults to settings of High Cool at 72 °F.

CAUTION: The Remote Controller will not function properly if strong light strikes the sensor window of the air conditioner or if there are obstacles between the Remote Controller and the air conditioner.

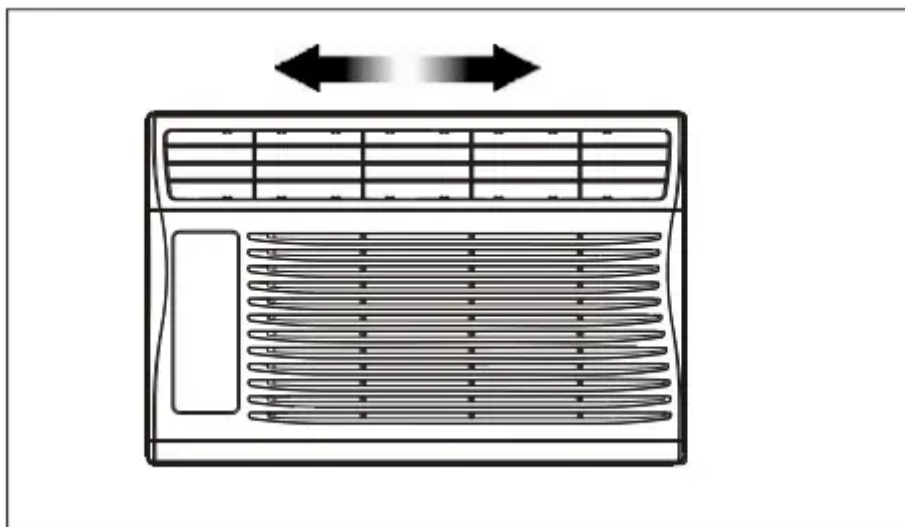
How to Insert Batteries



1. Remove the cover from the back of the remote controller
2. Insert two batteries.
 - Be sure of the polarity when installing the batteries.
 - Be sure that both batteries are new.
3. Re-attach the cover.
 - Do not use rechargeable batteries. Such batteries differ from standard dry cells in shape, dimensions, and performance.
 - Remove the batteries from the remote controller if the ai conditioner is not going to be used for an extended lengthr of time.

Additional Features

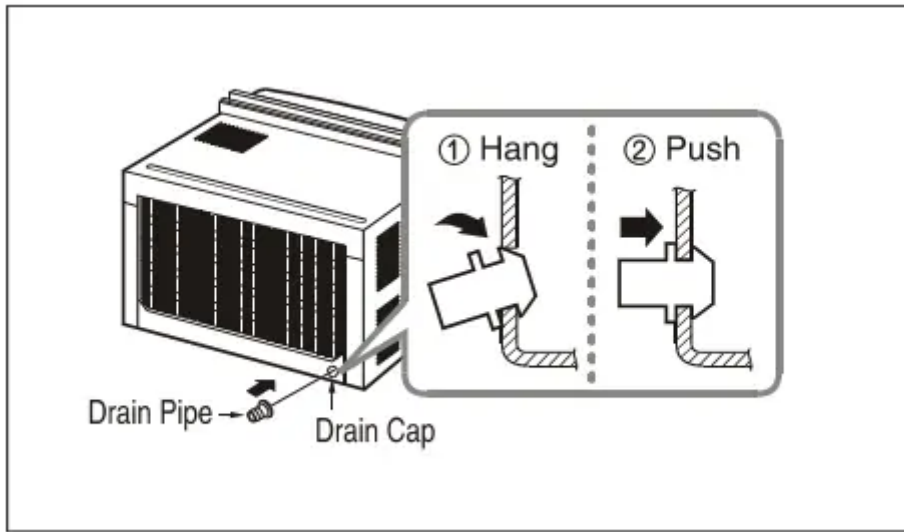
Air Direction



Adjusting the air direction using the horizontal air deflector control.

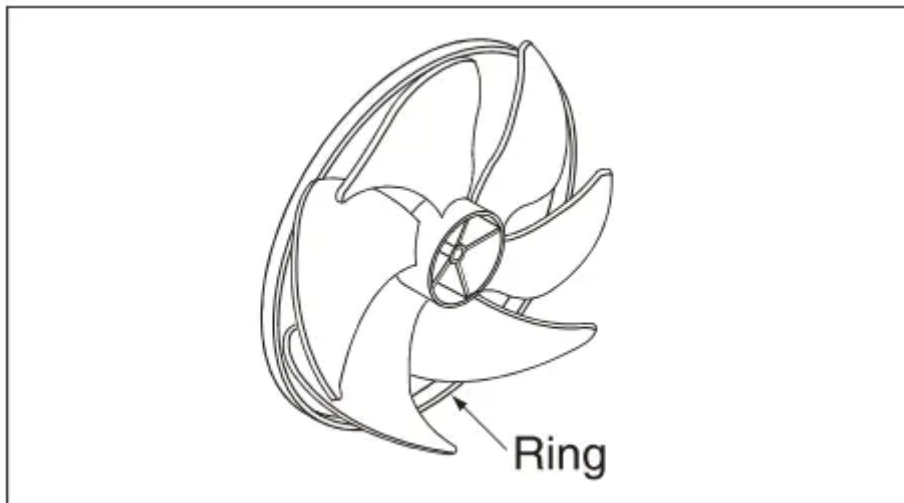
Using the control tabs, the air flow can be directed to the left, right, straight ahead, or any combination of these directions.

Drain Pipe



In humid weather, excess water may cause the Base Pan to overflow. To drain the water, remove the Drain Cap and secure the Drain Pipe to the rear hole of the Base Pan.

Press the drain pipe into the hole by pushing down and away from the fins to avoid injury.



This air conditioner is equipped with a slinger fan. (See drawing, below.)

The fan has an outer ring that runs in the water that collects in the base pan if it gets deep. That condensate is then picked up by the fan and expelled through the condenser, making the air conditioner more efficient.

CAUTION: Be careful when inserting the drain pipe. Push away from the sharp fin area to avoid slipping injuring yourself.

Removal From Window

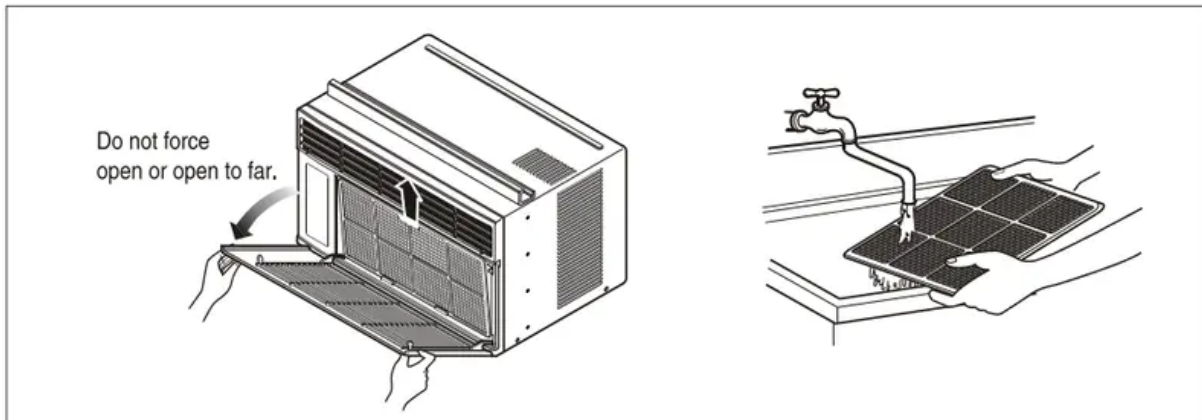
Turn the air conditioner off, disconnect the power cord, remove the L bracket, the screws and Support Bracket installed through the top and bottom of the guide panels, and save for reinstallation later. Close the guide panels. Keeping a firm grip on the air conditioner, raise the sash, and carefully tilt the air conditioner backward, draining any condensate. Lift the air conditioner from the window and remove the sash seal from between the windows.

Be sure to drain ALL condensate from the air conditioner. If you don't, it could run out while you carry the unit, making a mess and creating a slipping hazard. This simple step will save you much cleaning and make a safer work environment.

Maintenance and Service

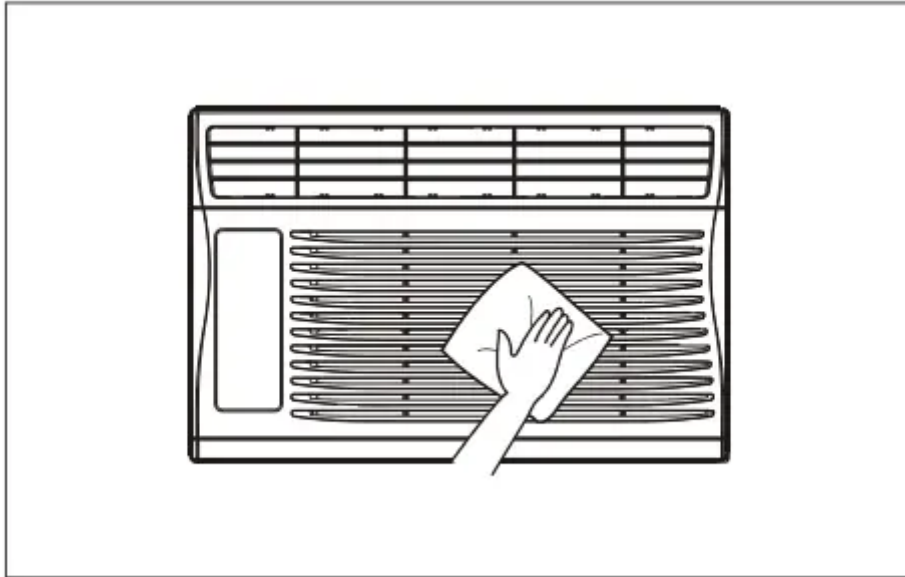
Air Filter

Check the air filter at least twice a month to see if cleaning is necessary. Trapped particles in the filter can build up and block the airflow, reducing cooling capacity and causing an accumulation of frost on the evaporator. To clean the air filter:



1. Lift the inlet grille.
2. Remove the air filter from the front grille by pulling the air filter up slightly.
3. Wash the filter using lukewarm water below 40 °C (104 °F).
4. Gently shake the excess water from the filter and replace.

Cleaning The Air Conditioner

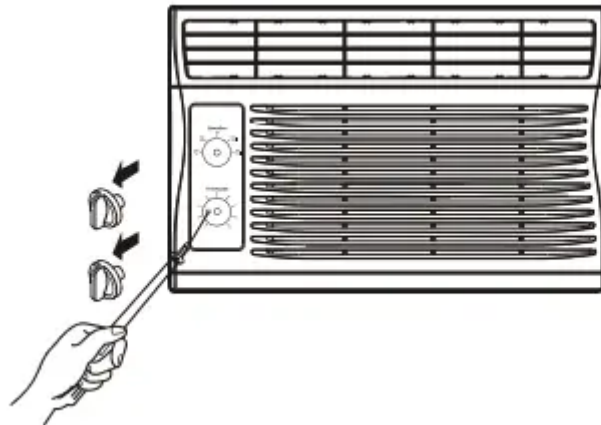


The front grille and Inlet grille may be wiped with a cloth dampened in a mild detergent solution.

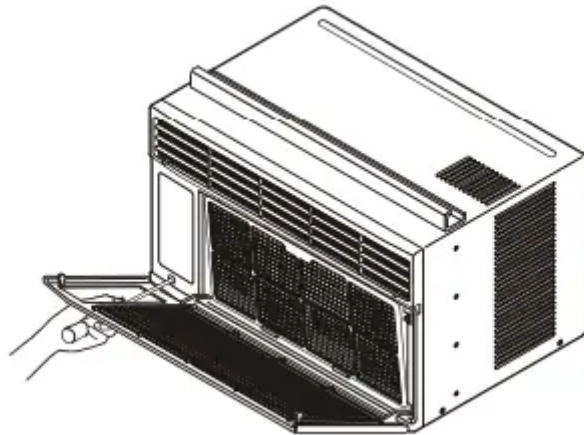
The cabinet may be washed with mild soap or detergent and lukewarm water, then polished with Liquid Wax for Appliances.

To ensure continued peak efficiency, the condenser coils (outside of unit) should be checked periodically and cleaned if clogged with soot or dirt from the atmosphere.

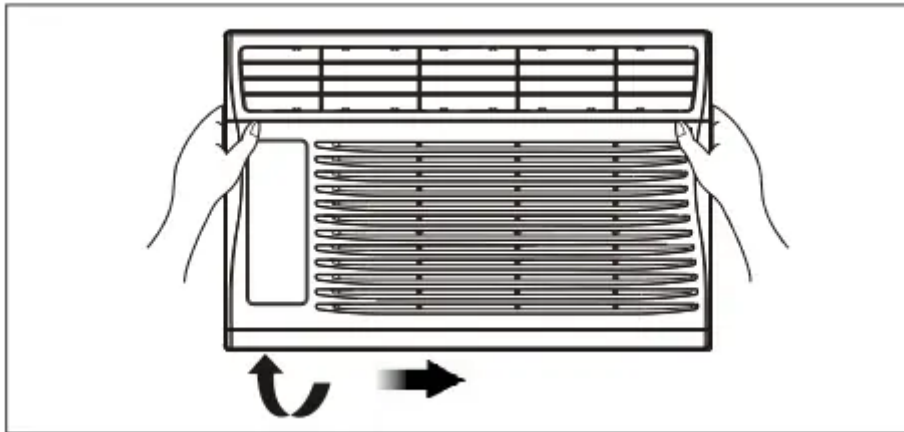
How to Remove the Front Grille



1. Remove the thermostat knob and the operation knob by pulling.
2. Remove the screw securing the Front Grille.



1. Pull the inlet grille forward
2. Remove the screw securing the Front Grille.



3. Push the grille up from the bottom and pull the top of the grille away from the case as the top tabs lift out of their slots.

Common Problems and Solutions

Before Calling for Service

If you have problems with your air conditioner, read the following information and try to solve the problem. If you cannot find a solution, turn off the air conditioner and contact your dealer.

Air conditioner does not operate

1. Ensure that the air conditioner is plugged into a proper outlet.
2. Check the fuse or circuit breaker.
3. Check whether the voltage is unusually high or low.

Air does not feel cold enough on the cooling setting

1. Ensure that the temperature settings are correct.
2. Check to see if the air filter is clogged with dust. If so, clean the filter.

3. Ensure that the air flow from the outside is not obstructed and that there is a clearance of over 20" between the back of the air conditioner and the wall or fence behind it.
4. Close all doors and windows and check for any source of heat in the room.

Before calling for service, please review the following list of common problems and solutions.

The air conditioner is operating normally when:

- You hear a pinging noise. This is caused by water being picked up by the fan on rainy days or in highly humid conditions. This feature is designed to help remove moisture in the air and improve cooling efficiency. See the section on Slinger Fan, page 20.
- You hear the thermostat click. This is caused by the compressor cycle starting and stopping.
- You see water dripping from the rear of the unit. Water may be collected in the base pan in highly humid conditions or on rainy days. This water overflows and drips from the rear of the unit.
- You hear the fan running while the compressor is silent. This is a normal operational feature.

Troubleshooting

The air conditioner may be operating abnormally when:



Problem	Possible Causes	What To Do
Air conditioner does not start	The air conditioner is unplugged.	<ul style="list-style-type: none"> • Make sure the air conditioner plug is pushed completely into the outlet.
	The fuse is blown/circuit breaker is tripped.	<ul style="list-style-type: none"> • Check the house fuse/circuit breaker box and replace the fuse or reset the breaker.
	Power failure.	<ul style="list-style-type: none"> • If power failure occurs, turn the mode control to Off. <p>When power is restored, wait 3 minutes to restart the air conditioner to prevent tripping of the compressor overload.</p>
	The current interrupter device is tripped.	<ul style="list-style-type: none"> • Press the RESET button located on the power cord plug. If the RESET button will not stay
Air conditioner does not cool as it should	Airflow is restricted.	<ul style="list-style-type: none"> • Make sure there are no curtains, blinds, or furniture blocking the front of the air conditioner
	The thermostat may not be set high enough.	<ul style="list-style-type: none"> • Turn the knob to a higher number. The highest setting provides maximum cooling.
	The air filter is dirty.	<ul style="list-style-type: none"> • Clean the filter at least every 2 weeks. See the care and Maintenance section.
	The room may have been hot	<ul style="list-style-type: none"> • When the air conditioner is first turned on, you need to allow time for the room to cool down.
	Cold air is escaping.	<ul style="list-style-type: none"> • Check for open furnace floor registers and cold air returns.
	Cooling coils have iced up.	<ul style="list-style-type: none"> • See Air Conditioner Freezing Up below.
Air conditioner freezing up	Ice blocks the air flow and stops the air conditioner from cooling the room.	<ul style="list-style-type: none"> •Set the mode control at High Fan or High Cool with thermostat at 1 or 2.

Warning

This content is compiled from multiple sources and is provided for reference purposes only. It may not be complete or fully applicable to all situations. If you are unable to resolve your issue, please contact the product manufacturer or an authorized service provider for official support.

Document generated by [ManualsFile](#)