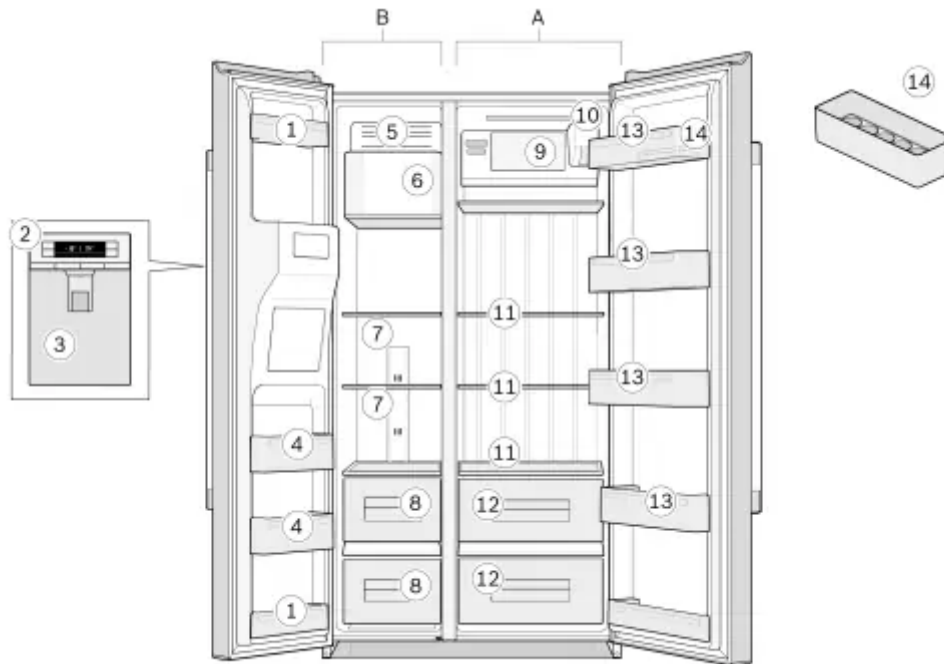


## Getting to know the appliance

### Appliance

The features of the models may vary. The illustrations may differ from your particular model.



*A Fridge compartment*

*B Freezer compartment*

*1 Door pockets*

*2 Operating controls*

*3 Ice and water dispenser*

*4 Freezer door pockets*

*5 Ice-cube tray*

*6 Ice maker*

*7 Freezer compartment glass shelves*

*8 Freezer compartment drawers*

*9 Shelf*

*10 Water filter*

*11 Fridge compartment glass shelves*

12 Multi box drawers

13 Fridge door pockets

14 Egg tray

## Operating controls



### 1 "freezer/super" buttons

- For setting the temperature in the freezer compartment.
- For switching fast freezing function on and off.

### 2 "Light/Filter" button

- Switches the light for the ice/water dispenser on or off.
- Resets the filter indicator.

### 3 "Water" button

### 4 "Ice cubes/Crushed ice" button

### 5 "Alarm off/Lock" button

- Switches off the display of the temperature alarm.
- Switches the panel lock on or off.

### 6 "fridge/super" buttons

- For setting the temperature in the fridge compartment.
- For switching the fast cooling function on and off.

### 7 Fridge compartment display panel

- Fridge compartment temperature.
- "super" symbol shown when fast cooling function is active.
- "alarm" symbol shown when fridge compartment alarm is active.

## 8 Freezer compartment display panel

- Freezer compartment temperature.
- "super" symbol shown when fast freezing function is active.
- "alarm" symbol shown when freezer compartment alarm is active.

## 9 Symbols on the display panel



### Water filter

Condition of filter cartridge.



### Lighting

Ice and water dispenser light is switched on.



### Water

Water dispenser function is switched on.



### Ice cubes

Ice-cube dispenser function is switched on.



### Crushed ice

Crushed ice dispenser function is switched on.



### Panel lock

Panel lock is switched on.

## Switching on the appliance

Plug the power plug into the electrical outlet socket. The appliance will start cooling. When the appliance is switched on for the first time, the alarm function is deactivated until the appliance has reached the set temperature. If the appliance is switched off for an extended period, the temperature alarm may be triggered when it is first switched on again.

The temperatures flash and the display panels show the "alarm" symbol until the appliance has reached the set temperatures. By pressing the "Alarm off/Lock" button the temperature warning is switched off. The lights come on when the appliance doors are opened.

The following temperatures are recommended by the manufacturer and pre-set at the factory:

- Fridge compartment 37 °F (3 °C)
- Freezer compartment 0 °F (-18 °C)

## Notes on using the appliance

- After switching on the appliance, it may be several hours before the set temperatures are reached. Do not put any food in the appliance before then.
- Thanks to the fully automatic NoFrost system, the freezer compartment remains free of ice. Defrosting is not required.
- Some of the casing end faces are slightly heated to prevent condensation forming in the door seal area.
- If you cannot open the freezer compartment door again immediately after closing it, wait a moment for the low pressure created to equalize.

## Setting the temperature

### Fridge compartment

The temperature can be adjusted between 33 °F (1 °C) up to 45 °F (7 °C). Repeatedly press the "fridge/super +" or "fridge/super –" button until the desired fridge compartment temperature is set.



The temperature last set is saved. The set temperature is shown on the fridge compartment display panel.

### Freezer compartment

The temperature can be adjusted between 3 °F (-16 °C) up to -7 °F (-22 °C). Repeatedly press the "freezer/super +" or "freezer/super –" button until the desired freezer compartment temperature is set.



The temperature last set is saved. The set temperature is shown on the freezer compartment display panel.

## Fast cooling function

Super cooling cools the refrigerator compartment down as low as possible for approximately 40 minutes. The temperature is then automatically reset to 37 °F (3 °C). Super cooling is particularly recommended for the following:

- Before placing large quantities of food in the refrigerator compartment.
- To cool drinks quickly.

**Note:** When fast cooling is switched on, the appliance may make more noise.

### Switching on

Press the "fridge/super -" button until "super" appears on the right on the display panel.



### Switching off

Press the "fridge/super +" button.

**Note:** The display panel no longer shows "super". The temperature setting automatically reverts to 37 °F (3 °C).

## Fast freezing function

Food should be frozen thoroughly as quickly as possible. This ensures that vitamins, nutritional values, the look and the taste of the food is retained. Switch on fast freezing a few hours before placing fresh food in the freezer in order to prevent a drop in temperature.

In general, 4 - 6 hours is sufficient. When the function is switched on, the appliance operates continuously. As a result, a very cold temperature in the freezer compartment is achieved. Fast freezing automatically switches off after about 48 hours.

If the maximum freezing capacity is to be used, fast freezing should be switched on 24 hours before placing the fresh food in the freezer. Small quantities of food for freezing (up to 4.5 lb (2 kg)) can be frozen without using the fast freezing function.

**Note:** When fast freezing is switched on, the appliance may make more noise.

### Switching on

Press the "freezer/super -" button until "super" appears on the left on the display panel.



### Switching off

Press the "freezer/super +" button.

**Note:**

The display panel no longer shows "super". The temperature automatically switches back to the temperature set before the "Fast freezing" function was activated.

## Panel lock

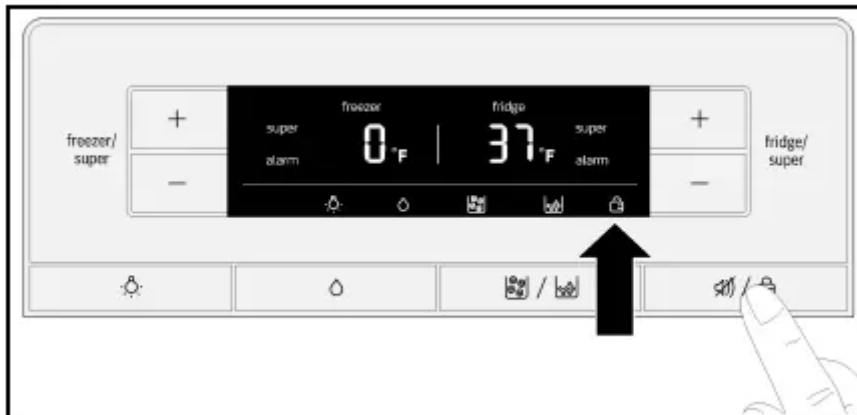
When the panel lock is activated, all of the buttons on the control and display panel are locked.

**Note:**

When the panel lock is activated, use the "Alarm off/ Lock" button to switch off the warning signal.

## Switching on

Press the "Alarm off/Lock" button.



The display panel shows the "Panel lock" symbol.

## Switching off

Press and hold the "Alarm off/Lock" button for seconds.

## Alarm functions

### Door alarm

The door alarm switches on if one of the appliance doors is open for longer than one minute. The warning sound repeats every 60 seconds for a period of minutes. Closing the door switches off the warning sound.

### Temperature alarm

The display panel shows the temperature alarm if the fridge or freezer compartment becomes too warm and the food is at risk.

The relevant display panel shows the highest temperature and "alarm".

### Fridge compartment

If the temperature in the fridge compartment has become too high, before eating any food that has got warm, make sure you heat it through properly. If in doubt, do not use raw food.

### Freezer compartment

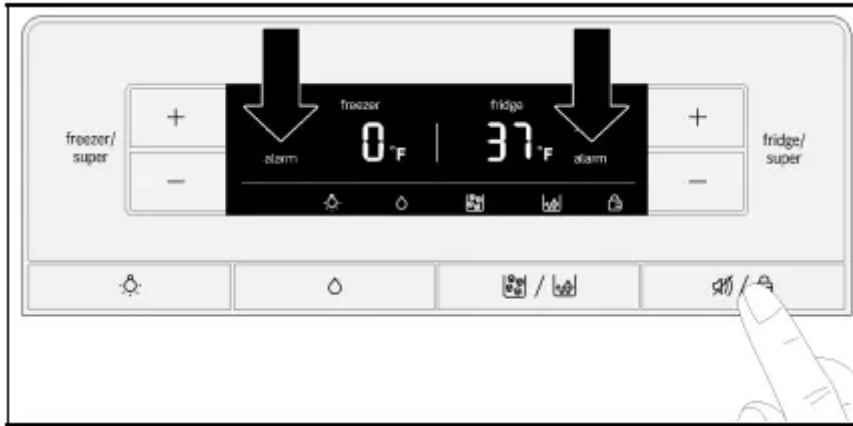
Do not refreeze defrosted food. It can only be refrozen after it has been made into a ready-to-eat meal (cooked or roasted). Do not then leave the food in the freezer for the maximum storage period. Without any risk to the frozen food, the alarm may be triggered:

- when the appliance is first used.

- when putting large quantities of fresh food in the freezer.
- if the freezer compartment door is left open for too long.

### Switching off the alarm

Press the "Alarm off/Lock" button.



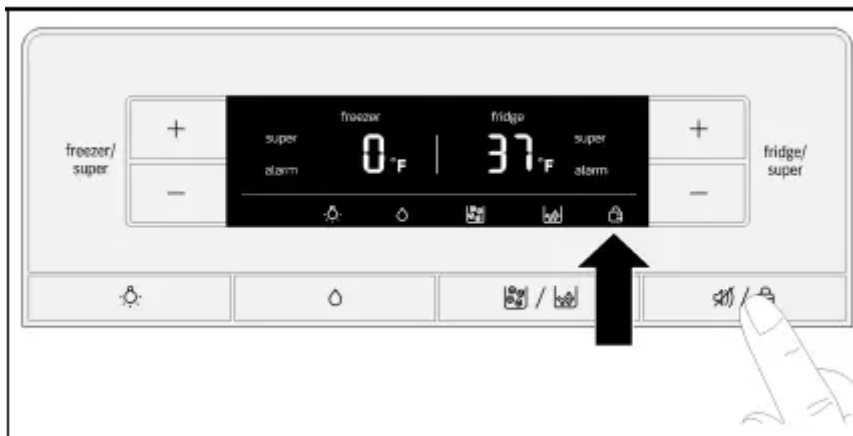
**Note:** As soon as the set temperature is reached again, the display stops showing "alarm".

### Temperature units

The temperature can be displayed in degrees Celsius (°C) or Fahrenheit (°F). When the appliance is first switched on, the display panel shows the temperature in degrees Celsius (°C).

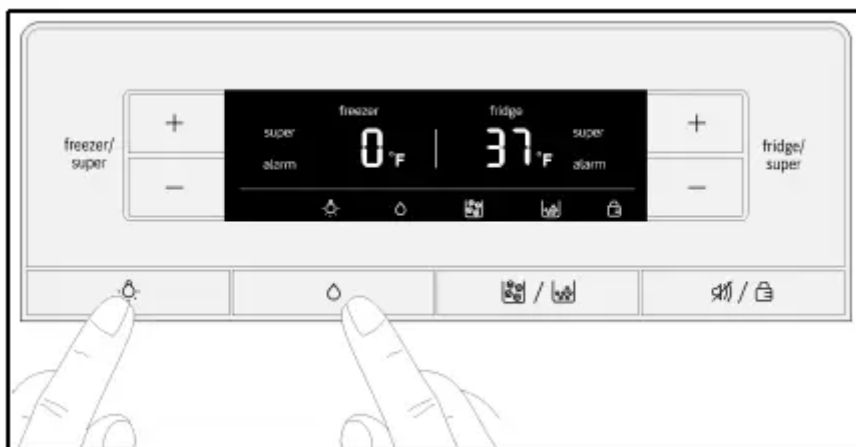
### Setting

1. Press the "Alarm off/Lock" button.



The display panel shows the "Panel lock" symbol.

2. Simultaneously press and hold the "Light/Filter" and "Water" buttons for 10 seconds.




The temperature units change.


## Energy-saving mode


20 seconds after the doors are closed or the last button is pressed, the display panel switches to energysaving mode. The display panel switches off and leaves only the words "freezer" and "fridge" and the symbol for the selected dispenser mode (water, ice cubes or crushed ice) dimly illuminated. As soon as a door is opened or a button pressed, the display panel switches on and returns to the normal brightness.


## Water filter symbol

This symbol indicates how long the filter cartridge can still be used.

 filter Up to six months

 filter Up to four months

 filter Up to two months

 filter Up to 10 days: the three bars of the symbol start flashing. Change the filter cartridge.

**Note:** If the appliance is switched off, the water filter indicator is reset.

**After changing the filter cartridge, reset the water filter indicator as follows:**

Press and hold the "Light/Filter" button for 3 seconds.



The symbol will then stop flashing.

## Usable capacity

You will find the details of the usable capacity on the rating plate inside the appliance.

## Using the entire freezing capacity

To accommodate the maximum quantity of frozen food, you can remove all of the fittings from inside the appliance. You can then stack the food directly on the shelves and the bottom of the freezer compartment. How to remove and refit the fittings is described in the section headed Fittings.

## Fridge compartment

The fridge compartment is the perfect place for keeping ready meals, bread and pastries, jams and preserves, condensed milk and hard cheeses.

### When placing food in the fridge, follow these guidelines:

- Keep fresh, untouched food in the fridge. In that way it will keep longer and stay fresher.
- In the case of ready-made products and packaged foods and liquids, pay attention to the manufacturer's specified best-before or use-by date.
- In order to maintain flavor, color and freshness, keep food well packed or covered over. That also prevents flavors from mixing and the plastic parts from becoming discolored in the fridge compartment.
- Allow warm food and beverages to cool before putting them into the appliance.

#### Note:

Keep food from coming into contact with the rear panel. Otherwise, the air circulation will be impaired. Food or packaging could also become frozen to the rear panel.

## Pay attention to the temperature zones in the fridge compartment

The air circulation produces different temperature zones in the fridge compartment:

- The coldest zones are close to the rear panel.
- The warmest zone is at the very top of the door.

### Note:

Keep items such as hard cheese and butter in the warmest zone. That will allow the cheese to continue developing its flavor and the butter will remain spreadable.

## Freezer compartment

**WARNING Risk of explosion!** Never store products containing flammable propellants (such as spray cans) or explosive or easily combustible substances in the appliance.

**NOTICE** Make sure that the freezer compartment door is always kept closed. The frozen food will thaw if the freezer compartment door is open. The freezer compartment will become covered with thick ice. Also: Energy will be lost due to high power consumption. When the freezer compartment door is closed, low pressure occurs inside the compartment. If you cannot reopen the freezer compartment door right away, wait two to three minutes until the low pressure has adjusted itself.

### Use the freezer compartment to

- store deep-frozen food
- freeze food
- make and store ice cubes.

## Max. freezing capacity

You will find information on the maximum freezing capacity in 24 hours on the rating plate.

### Conditions for use of max. freezing capacity

- Switch on the fast freezing function before placing the food in the freezer (see section "Fast freezing function").
- Remove the freezer compartment fittings.
- Stack the food directly on the shelves and the bottom of the freezer compartment.

### Note:

Do not cover over the ventilation slots in the rear panel with the food you are freezing.

- Preferably, large quantities of food for freezing should be placed in the top compartment. There it will freeze quickly and, therefore, without adversely affecting the food quality.

## Freezing food

Freeze fresh and undamaged food only. Separate food to be frozen from food that is already frozen. Place food in airtight containers to prevent it from losing its flavor or drying out.

### How to wrap food correctly

- Make sure the packaging is not damaged.
- Check the "sell by" date.
- Seal the packaging.
- Label the package with the contents and date.

### Items not suitable for wrapping food:

Wrapping paper, greaseproof paper, cellophane, garbage bags and used shopping bags.

### Items suitable for wrapping food:

Plastic film, polyethylene blown film, aluminum foil and freezer cans. These products can be purchased from your retailer.

### Items suitable for sealing wrapped food:

Rubber bands, plastic clips, string, cold-resistant adhesive tape or similar items. Bags and polyethylene blown film can be sealed with a film sealer.

### Storage life of frozen food

The storage life depends on the type of food. At a temperature of 0 °F (-18 °C):

- Fish, sausage, ready meals and cakes and pastries: up to 6 months
- Cheese, poultry, meat: up to 8 months
- Fruit and vegetables: up to 12 months

## Purchasing and storing deepfrozen food

Follow these guidelines when purchasing deep-frozen food:

- Place food in packaging.
- Press out any air.
- The temperature of the supermarket freezer should be lower than 0 °F (-18 °C). If not, this shortens the storage life of the frozen food.
- Pick up deep-frozen food last when shopping. Wrap in newspaper or place in a cold bag and take home.

- At home, immediately place deep-frozen food in the freezer compartment. Use the deep-frozen food before the "sell by" date.

## Ice and water dispenser

The following may be dispensed as necessary:

- cooled water
- crushed ice
- ice cubes

### WARNING

Risk of injury from broken glass!

Never use fragile glassware to catch ice when dispensed.

### WARNING

Risk of injury from rotating crusher blades!

Never reach into the ice cube dispenser opening.

### NOTICE

Risk of damage to the appliance!

Do not place bottles or food in the ice cube container in order to cool them quickly. The ice maker may become blocked and damaged.

### When switching on the appliance, note the following

The ice and water dispenser only works when the appliance is connected to the water supply.

After the appliance has been switched on, it will take hours before the first batch of ice cubes are ready.

When the appliance is connected, air bubbles will still be in the lines.

Extract the drinking water and discard until water can be dispensed without bubbles. Discard the first five glasses of water.

When using the ice maker for the first time, discard the first 30 to 40 ice cubes. Do not use ice cubes for hygienic reasons.

### Operating the ice maker

Once the freezer compartment has reached its freezing temperature, water flows into the ice maker and freezes into ice cubes. The ice cubes are automatically discharged into the ice cube container when they are ready.

After the appliance is first switched on, it takes roughly hours for the first portion of ice cubes to be produced.

The sides of the ice cubes may occasionally stick together. They usually break away from each other as they move to the dispenser opening.

Ice making switches off automatically when the ice cube container is full.

The ice maker can make approximately 140 ice cubes within 24 hours when ice cubes are discharged several times during the day.

As the ice cubes are being made, the sound of the buzzing water valve, the water flowing into the ice storage bin and the falling ice cubes can be heard.

## Drinking water quality

**CAUTION** The water filter included with the appliance only filters out particles from the supplied water and does not filter out bacteria or microbes.

All materials used in the water dispenser are odorless and tasteless. If the water has an aftertaste, this may be caused by:

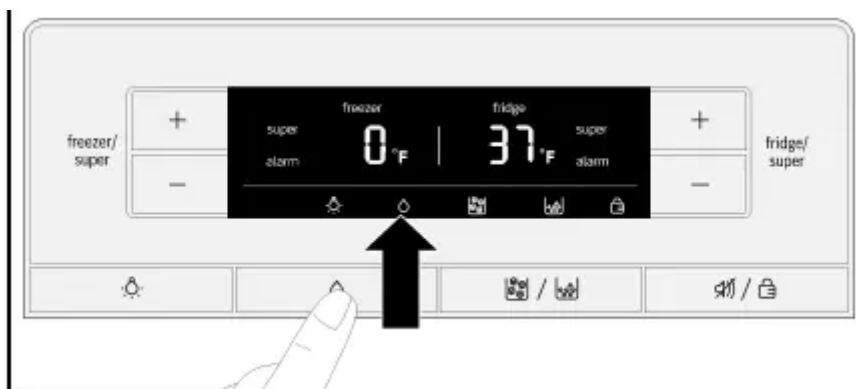
- Mineral and chlorine content in the drinking water
- Materials from which the domestic water line or connection line are made
- Freshness of the drinking water. If water has not been dispensed for an extended period of time, the water may have a "stale" taste. In this case, dispense approx. 15 glasses of water and discard.

The taste and smell of the water can be improved by installing the included filter cartridge at the water intake point.

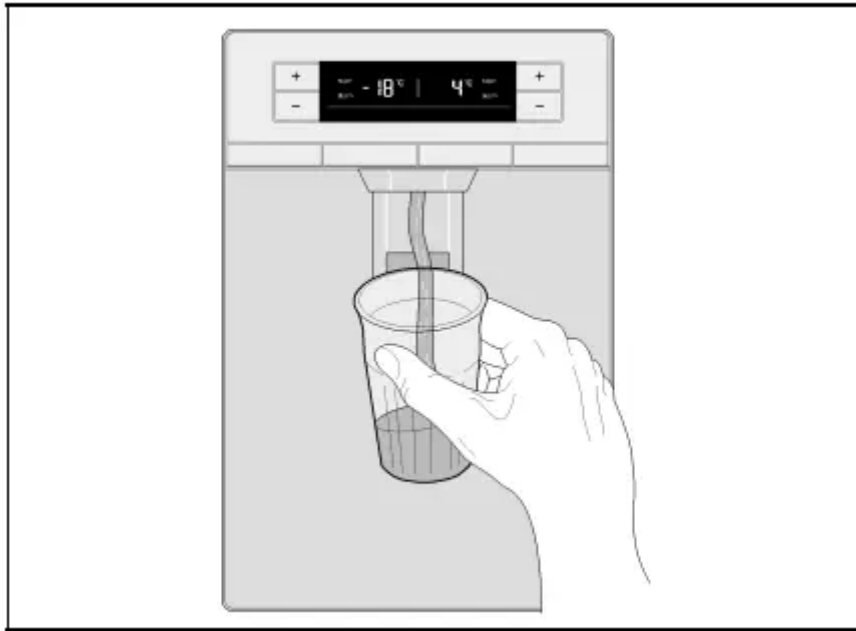
We recommend that you regularly draw off a certain amount of water from the water dispenser and do not switch the appliance off. This will maintain the best water quality.

## Dispensing water

1. Press the "Water" button. The display panel shows the "Water" symbol.



2. Press a glass or container against the dispenser lever until the glass is filled with the desired amount of water.

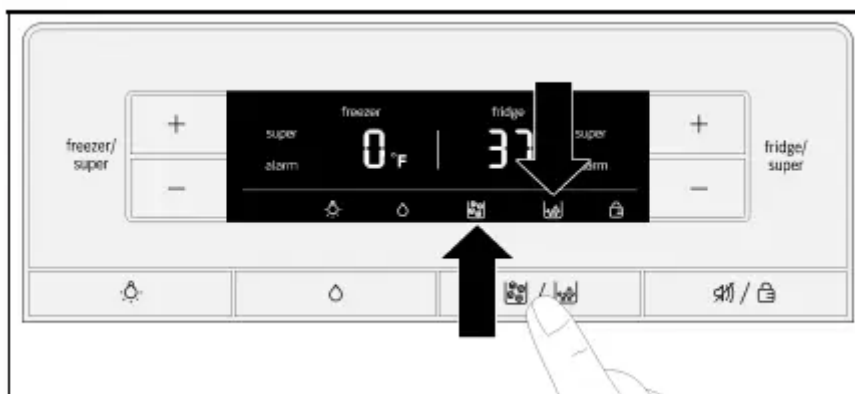


**Note:** The water from the water dispenser is cooled to a pleasant temperature for drinking. If you prefer the water to be colder, dispense some ice cubes into the glass before drawing the water.

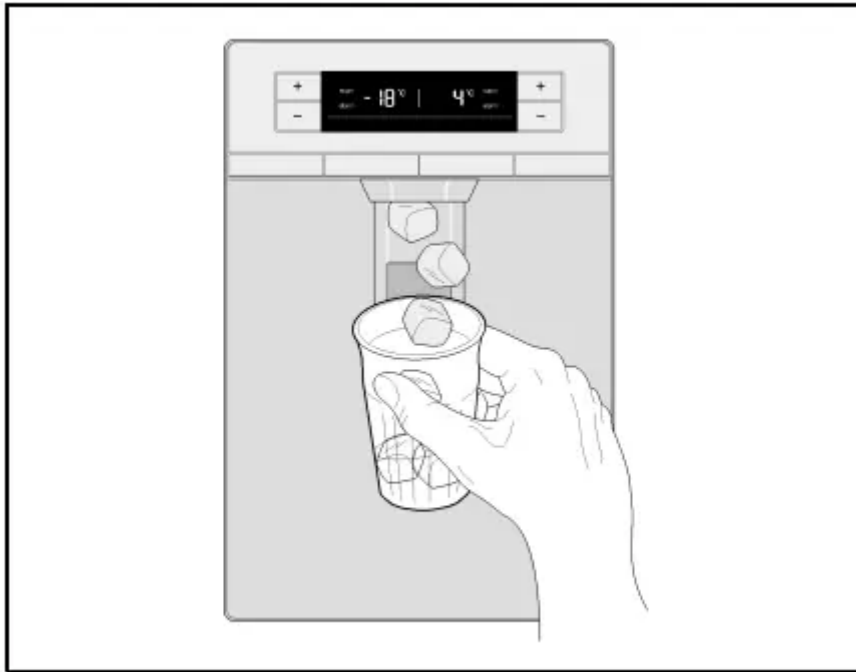
## Dispensing ice

Only hold the container against the dispenser lever until the container is half full of ice. Otherwise, the ice in the ice-cube dispenser spout may cause the container to overflow or block the ice cube dispenser spout. If crushed ice was dispensed before dispensing ice cubes, there may still be some crushed ice in the dispenser spout. It will come out together with the first few ice cubes.

1. Press the "Ice cubes/Crushed ice" button until the display shows the "Ice cubes" or "Crushed ice" symbol.



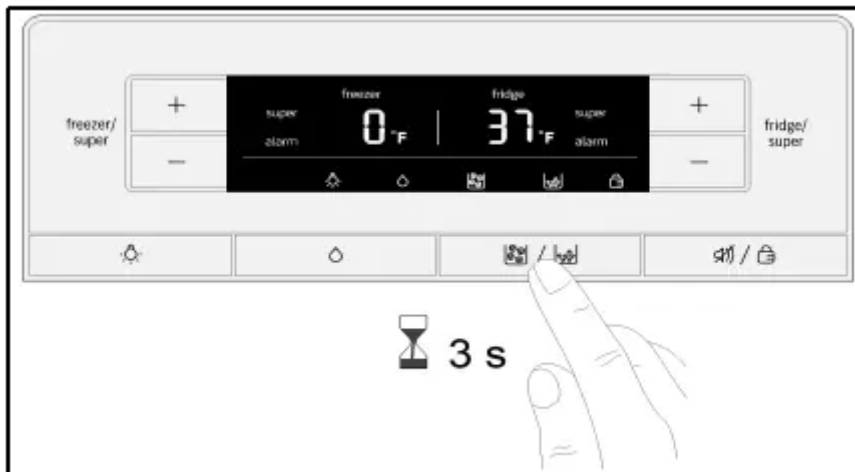
2. Press a suitable glass or container against the dispenser lever until it is filled with the desired amount of ice.



## Switching off the ice-maker

**Note:** It is imperative to turn off the water supply to the appliance several hours before switching off the ice-maker. If you do not expect to be using the ice-maker for longer than 1 week (e.g. when going on holiday), the ice-maker should be temporarily switched off to stop the ice cubes freezing together.

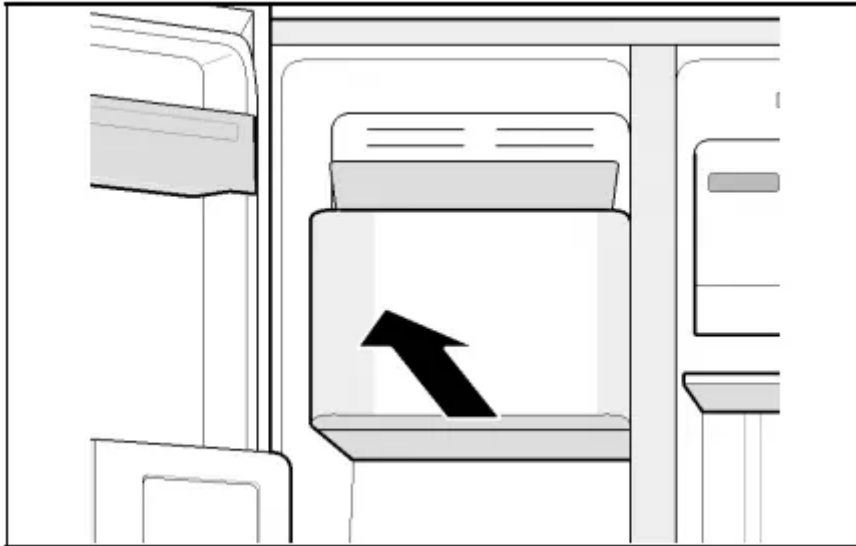
1. Press and hold the "Ice cubes/Crushed ice" button for 3 seconds.



In the display, the symbols "Ice cubes", "Crushed ice" and "Lock" flash for approx. 3 seconds. Then the water dispensing is switched on and the symbol "Water" lights up.

**Note:** When the "Ice cubes/Crushed ice" button is pressed, when the ice-maker is switched off, an alarm sounds and the symbols "Ice cubes", "Crushed ice" and "Lock" flash for approx. 3 seconds.

2. Pull out the ice-cube container.



3. Empty the ice-cube container and clean it.
4. Push the ice-cube container all the way back on the runners until it snaps into place.

### Switching on the ice-maker

Press and hold the "Ice cubes/Crushed ice" button for 3 seconds. An alarm sounds as soon as the ice-maker is switched on.

## Water filter

**WARNING** In localities where the water quality is not ideal or not known, do not use the appliance without suitable means of disinfection on the inlet and outlet side of the filter.

Filter cartridges for the water filter can be obtained from Customer Support.

### CAUTION

- After fitting a new filter cartridge, always throw away the first 24 hours' worth of ice produced after switching on the ice-maker.
- If the ice has not been used for an extended period, throw away all the ice cubes in the ice-cube container as well as the ice produced over the next 24 hours.
- If the appliance has not been used or no ice has actually been dispensed for several weeks or months, or if the ice cubes have an unpleasant taste or smell, change the filter cartridge.
- Air trapped in the system can cause water to spurt out and eject the filter cartridge. Take care when removing it.
- The filter cartridge must be replaced at least every 6 months.

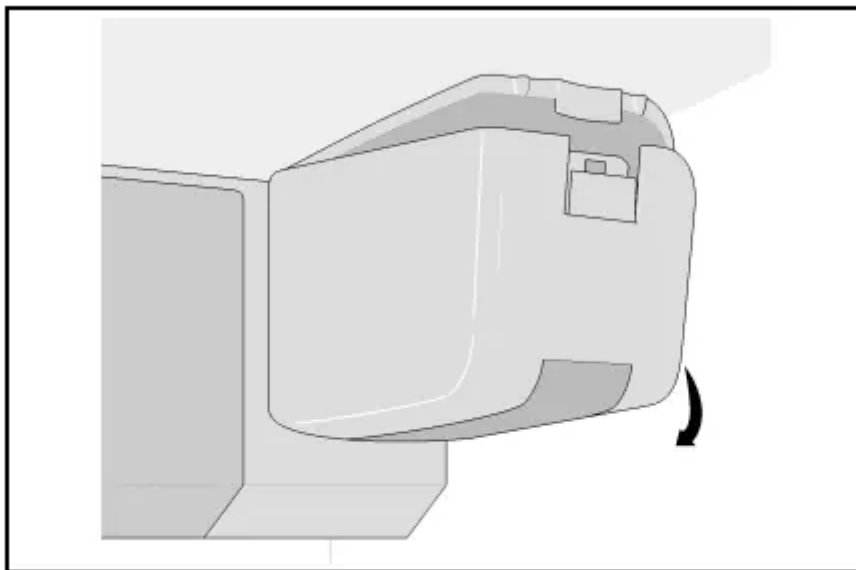
## Important notes on the water filter

- After use, the water system is slightly under pressure. Take care when removing the filter cartridge.
- If the appliance has not been used for an extended period or the water has an unpleasant taste or smell, flush the water system through. To do so, draw water from the dispenser continuously for several minutes. If the unpleasant taste or smell persists, change the filter cartridge.

## Changing the filter cartridge

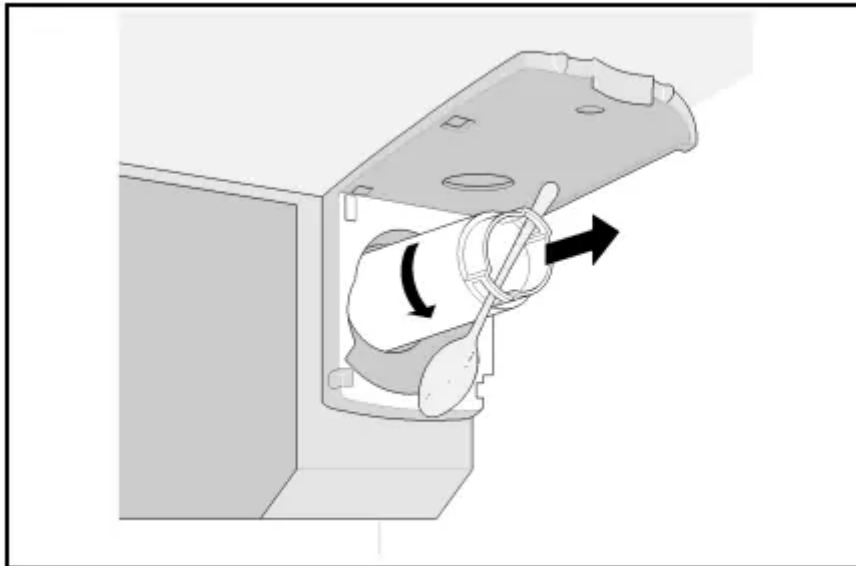
After six months has elapsed, the water filter symbol starts flashing as a prompt to change the filter cartridge (see section "Water filter symbol"). The filter cartridge must be replaced after six months at the latest.

1. **Caution!** Unplug the appliance from the mains or switch off the circuit-breaker.
2. Turn off the water supply to the appliance.
3. Press the button and remove the lid.



**Note:** Take care when removing the filter cartridge. The water system is slightly under pressure after use.

4. Carefully turn the filter cartridge 90° counterclockwise e.g. with a spoon and pull it out.

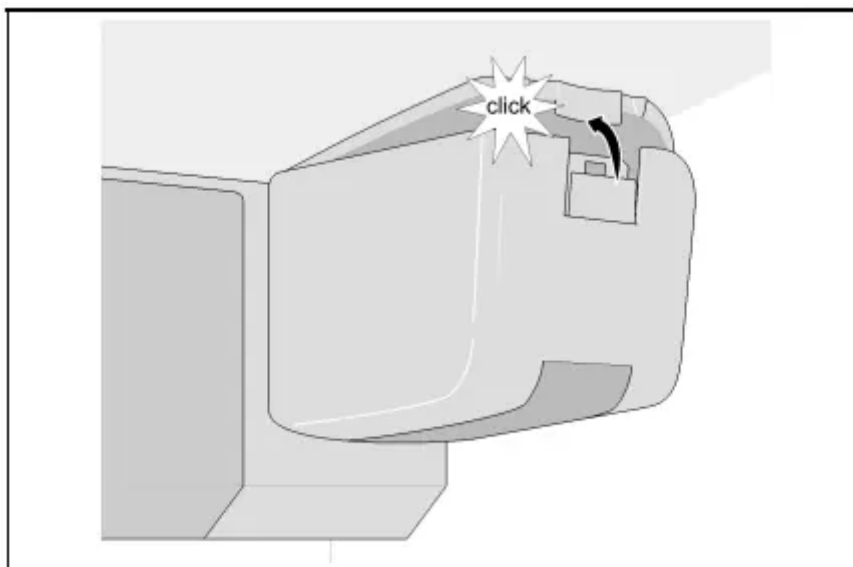


5. Take the new filter cartridge out of its packaging and remove the safety cap.

6. Insert the new filter cartridge and carefully turn it 90° clockwise as far as the stop e.g. with a spoon.

**Note:** The filter cartridge must be tightened by hand so that no leaks are created and that the appliance is correctly supplied with water.

7. Refit the lid and snap it into place.



8. Turn on the water supply to the appliance.

9. Switch on the appliance.

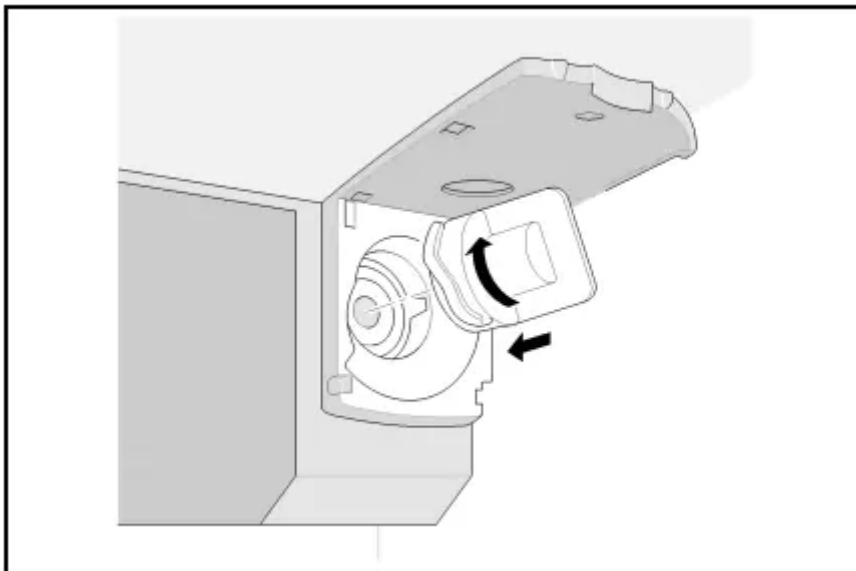
10. Draw off several liters of water from the water dispenser. This will remove any air from the water system.

11. Pour the water out of the old filter cartridge. The filter cartridge can be disposed of together with the normal household waste.

12. Press and hold the "Light/Filter" button for 3 seconds. That resets the water filter indicator. The symbol will then stop flashing. The new filter has now been activated.



**Note:** The ice and water dispenser can also be used without a water filter. In that case, fit the cover cap.



## Switching off and disconnecting the appliance

### Switch off the appliance

Unplug the appliance from the mains or switch off the circuit-breaker. The refrigeration system and lights switch off. If the appliance is to be switched off but not unplugged (e.g. while you are on holiday): Press and hold the "freezer/super +" and "fridge/super +" buttons for 5 seconds. When the appliance is off, the temperature displays will show "- -". The rest of the display panel is off.



Switching on the appliance: Press and hold the "freezer/super +" and "fridge/super +" buttons for 5 seconds.

## Disconnecting the appliance

If the appliance is not used for an extended period of time:

- 1. It is imperative that you disconnect the water supply to the appliance for a few hours before switching off the appliance.
- 2. Remove all food from the appliance.
- 3. Unplug the appliance.
- 4. Remove and dispose of the filter cartridge.
- 5. Empty and clean the ice cube container.
- 6. Clean the appliance interior (see section "Cleaning the appliance").
- 7. To prevent odors, leave the appliance doors open.

## Defrosting

### Fridge compartment

While the appliance is in use, drops of condensation or frost form on the back of the fridge compartment. As the rear panel defrosts automatically, it is not necessary to remove the frost or the condensation.

### Freezer compartment

Thanks to the fully automatic NoFrost system, the freezer compartment remains free of ice. There is no longer any need to defrost it.

## Cleaning the appliance

### CAUTION

- Do not use gritty, acidic or chlorine-based cleaning agents or solvents.
- Do not use abrasive cleaning pads or sponges that may scratch surfaces. This may lead to corrosion of the metallic surfaces.
- Never clean the shelves or containers in the dishwasher. The parts may warp.

Proceed as follows:

- 1. Switch off the appliance before cleaning.
- 2. Unplug the appliance from the mains or switch off the circuit-breaker.
- 3. Take out the food and store it in a cool place. Place an ice block (if you have one) on the food.
- 4. Wait until the layer of frost has thawed out.
- 5. Clean the appliance with a soft cloth, lukewarm water, and a little pH-neutral washing-up liquid. The washing-up liquid solution must not be allowed to get into the lights or run into the evaporation tray through the drain hole.
- 6. Only wipe the door seal with clean water and then rub it until it is dry.
- 7. After cleaning, reconnect the appliance to the mains and switch it on.
- 8. Put the food back in.

## Fittings

All the variable components of the appliance can be removed for cleaning (see section "Fittings").

### Ice-cube container

If no ice-cubes are dispensed for an extended period, the ice cubes in the container shrink, taste stale and stick together. Therefore, the ice-cube container should be cleaned regularly.

**CAUTION** The ice-cube container is heavy when it is full.

- 1. Press and hold the "Ice cubes/Crushed ice" button for 3 seconds.
- 2. Pull out the ice-cube container.
- 3. Empty the ice-cube container and clean it.
- 4. Push the ice-cube container all the way back on the runners until it snaps into place.

## Smells

If you notice unpleasant smells:

- 1. Unplug the appliance from the mains or switch off the circuit-breaker.
- 2. Remove all food from the appliance.
- 3. Clean the inside of the appliance (see section "Cleaning the appliance").

- 4. Clean all packaging.
- 5. Pack strongly smelling food in air-tight containers to prevent odors.
- 6. Switch on the appliance again.
- 7. Arrange the food.
- 8. After 24 hours, check again to see if the smells have reappeared.

## **Saving energy**

- Install the appliance in a dry, well ventilated room. The appliance must be installed out of direct sunlight and away from heat sources (e.g. heating elements, cooker). Use an insulating plate if necessary.
- Allow hot food and drinks to cool before placing them in the appliance.
- Place frozen food in the fridge compartment to defrost and utilize the low temperature of the frozen food to cool other food.
- Only open the appliance doors for as short a time as possible.
- To prevent the food warming up quickly in the event of a power cut or a fault, place blocks of ice in the top compartment directly on top of the food.
- Make sure that the freezer compartment door is always closed.
- The arrangement of the fittings has no effect on the energy consumption of the appliance.
- To prevent increased power consumption, occasionally clean the air vent with a soft brush or vacuum cleaner.

## **Operating noises**

### **Normal noises**

#### **Humming**

Refrigerating unit is running. The fan in the circulating air system is running.

#### **Bubbling, whirring or gurgling noises**

Refrigerant is flowing through the tubing or water is flowing into the ice maker.

#### **Clicking**

Motor is switching on or off. The solenoid valve at the water connection is opening or closing.

#### **Rumbling**

Ready ice cubes from the ice maker are falling into the ice cube container.

## Solving simple noise problems

### The appliance is not level

Align the appliance using a level. Use the heightadjustable feet or place something under the feet.

### The appliance is touching adjacent units or appliances

Move the appliance away from adjacent units or appliances.

### Loose or sticking drawers, baskets or storage areas

Check the removable parts and, if required, reinsert them.

### Receptacles are touching each other

Move bottles or receptacles slightly away from each other.

## Rectifying minor faults yourself

Before calling Customer Support: Check whether you can rectify the fault yourself by using the notes below.

### Appliance

#### Appliance is not cooling/ freezing.

- Power cut.
  - Check whether there is power to the appliance.

#### The lighting is not working.

- Circuit-breaker is switched off.
  - Check circuit-breaker.

#### The display does not light up.

- Power plug not properly plugged in.
  - Check whether power plug is properly plugged in.

#### The refrigeration unit switches on with increasing frequency and for longer periods.

- The appliance door is being opened frequently.
  - Do not open the appliance door unnecessarily.
- The ventilation openings are covered.
  - Remove any obstructions.
- Placing large quantities of food in the appliance.
  - Switch on fast cooling/fast freezing function.

### **The fridge compartment/ freezer compartment is too cold.**

- The temperature setting is too low.
  - Set a higher temperature.

### **The (LED) lighting does not work.**

- The LED lighting is faulty.
  - See section "Lighting (LED)".
- Light switch is sticking.
  - Check whether you can move the light switch.
- The appliance door was opened for too long.
- The lighting switches off after approx. 10 minutes.
  - After closing and opening the appliance door, the lighting is switched on again.

### **Unpleasant smells are noticeable.**

- Strongly smelling food not packed in air-tight containers.
  - Clean the appliance. Pack strongly smelling food in air-tight containers (see section "Smells").

### **Warning beeper sounds or temperature indicator flashes. It is too warm in the fridge or freezer compartment. Food is at risk.**

- Appliance door is open.
  - See section "Alarm functions".
- Too much food was stored at once.

### **Fresh food compartment (if existing) does not cool.**

- Disconnect the appliance from the mains (power failure or power plug pulled).
  - Reset the desired temperature.

## **Ice-maker**

### **Ice-maker not working.**

- Ice-maker is not connected to the power supply.
  - Call Customer Support.
- Ice-maker is not receiving a supply of water.
  - Make sure that the water supply is properly connected.

- The temperature in the freezer compartment is too high.
  - Check the freezer compartment temperature setting and set it slightly colder if necessary.

**Ice-maker is not making enough ice or the ice is misshapen.**

- Appliance or ice-maker has only been switched on for a short time.
  - It takes roughly 24 hours for ice production to start.
- A large quantity of ice has been dispensed.
  - It takes roughly 24 hours for the ice-cube container to be refilled.
- Low water pressure.
  - The appliance should only be connected to a water supply with the specified pressure see section "Connecting the appliance", subheading "Water connection").
- Water filter clogged or used up.
  - Replace water filter.
- The temperature in the freezer compartment is too high.
  - Set the freezer compartment temperature lower.

**Ice-maker not making any ice.**

- Ice-maker is switched off.
  - Switch on the ice-maker.
- Appliance not being supplied with water.
  - Contact your installer or water company.
- Kinks in the water supply hose.
  - Turn off the water supply at the isolating valve. Straighten out any kinks or have hose replaced if necessary.
- Low water pressure.
  - The appliance should only be connected to a water supply with the specified pressure see section "Connecting the appliance", subheading "Water connection").
- Freezer compartment temperature too high.
  - Set a slightly colder temperature for the freezer compartment.
- Ice-cube container not inserted properly.
  - Check the position, re-insert if necessary.

- Incorrect isolating valve fitted.
  - Unsuitable valves can reduce the water pressure and cause damage to the appliance.

#### **Ice forms in the feeder hose to the ice-maker.**

- Low water pressure.
  - Turn off the water supply at the isolating valve. Straighten out any kinks or have hose replaced if necessary.
- Isolating valve not fully open.
  - Fully open isolating valve.

#### **Water runs out of the appliance.**

- Water connecting hose is leaking.
  - Have hose replaced with a genuine replacement hose from the manufacturer.
- Incorrect isolating valve fitted.
  - Unsuitable valves can reduce the water pressure and cause damage to the appliance.

#### **No water comes out of the water dispenser.**

- The return stop valve has been installed incorrectly.
  - Check the flow direction, Arrows on the return stop valve indicate the flow direction.
- Sieve is clogged.
  - Turn off the water supply at the isolating valve. Remove and clean the sieve.

#### **Warning**

This content is compiled from multiple sources and is provided for reference purposes only. It may not be complete or fully applicable to all situations. If you are unable to resolve your issue, please contact the product manufacturer or an authorized service provider for official support.