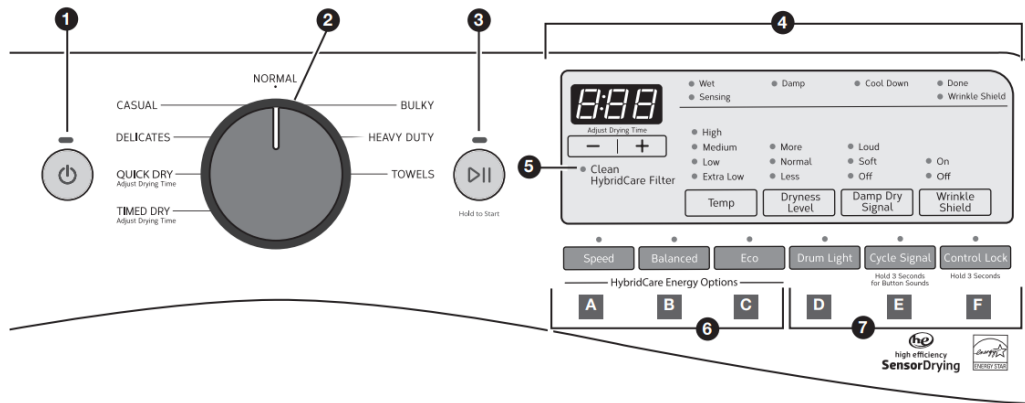


Control Panel and Features

NOTE: The control panel features a sensitive surface that responds to a light touch of your finger. To ensure your selections are registered, touch the control panel with your finger tip, not your fingernail. When selecting a setting or option, simply touch its name.



1. POWER

Touch to turn the dryer on and off. Touch to cancel a cycle at any time.

2. CYCLE CONTROL KNOB

Turn the knob to select a cycle for your laundry load. Automatic Cycles are Heavy Duty, Normal, Bulky, Casual, Delicates, and Towels. Manual Cycles are Quick Dry and Timed Dry. See “Cycle Guide” for detailed descriptions of cycles

3. START/PAUSE

Touch and hold until the LED comes on to start a cycle, or touch once while a cycle is in process to pause it.

4. LED DISPLAY AND SETTINGS

When you select a cycle, its settings will light up and the Estimated Time Remaining (for Automatic Cycles) or actual time remaining (for Manual Cycles) will be displayed. On 2-digit displays, for times longer than 99 minutes, hours will be displayed followed by minutes.

See “Cycle Guide” for available settings on each cycle. Not all settings are available with all cycles.

Cycle Status Lights

The indicators at the top of the display will let you know what stage of the drying cycle is in process. For more information on each stage, see “Cycle Status Indicators.”

-/+ (Adjust Drying Time)

Touch “+” or “-” with Manual Cycles to increase or decrease the length of a Timed Dry or Quick Dry cycle.

Temp

When using Manual Cycles, you may select a dry temperature based on the type of load you are drying. Use the warmest setting safe for the items in the load. Follow garment label instructions.

NOTE: Automatic Cycles use a preset temperature that is not adjustable.

Dryness Level

When using Automatic Cycles, you may select a Dryness Level based on the type of load you are drying.

NOTE: Dryness Level is for use with Automatic Cycles only.

Damp Dry Signal

Touch to select the Damp Dry Signal. When selected, a series of beeps will sound when the load is damp, but not completely dry. This will allow you to take clothes out of the load that do not need to dry completely. This option is available on Heavy Duty, Normal, Bulky, Casual, Delicates, and Towels cycles. The Damp Dry Signal is selected as a default for the Bulky cycle, as a reminder to manually reposition bulky loads midway through the cycle.

Wrinkle Shield™ Option

If you will be unable to remove a load immediately, touch Wrinkle Shield to add up to 150 minutes of periodic tumbling to help reduce wrinkling.

5. Clean HybridCare™ Filter light

Reminds you to clean the HybridCare™ filter after every 5th cycle. Light will reset after filter is cleaned and filter is put back in cabinet.

6.



HybridCare™ Energy OPTIONS

Use to select an available mode for your dryer. Your HybridCare™ dryer is more efficient in all modes than your typical dryer.

A Speed

This option saves time, but uses more energy.

B Balanced

Use this option to blend between cycle time and energy savings.

C Eco

Eco is the default option for all cycles, which allows you to increase your energy savings by using a lower heat level. This will increase dry times.

NOTE: Energy savings may vary across loads and cycles.

7. OPTIONS

D. Drum Light

Touch to turn the LED drum light on or off. The light will also turn on when the door is open, and turn off automatically after about 5 minutes.

E. Cycle Signal

Use this to turn the signal indicating the end of a drying cycle on or off. **NOTE:** You may also turn off the tones that sound when a feature, setting, or option is touched. Touch and hold Cycle Signal for about one second to turn sounds on or off.

F. Control Lock

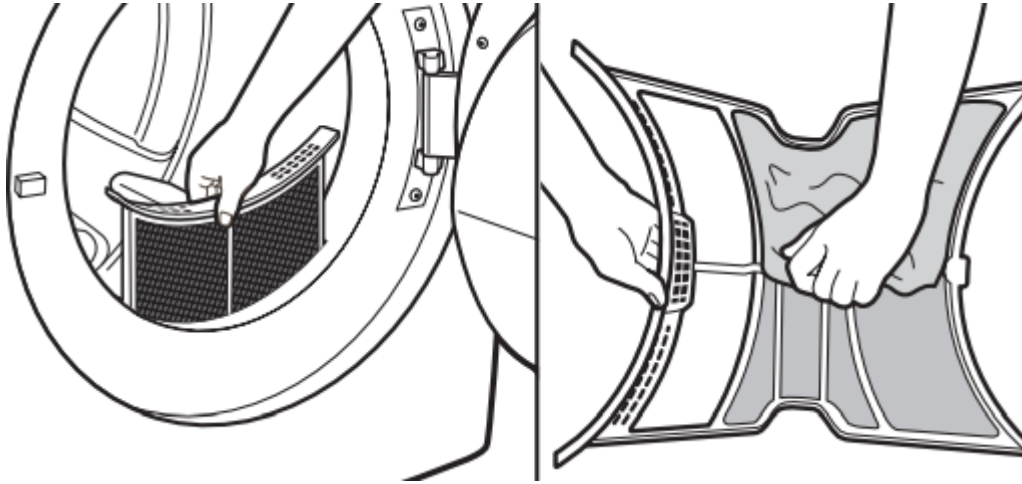
Use to lock the controls of the dryer and avoid an accidental change in cycle options or preferences during a drying cycle.

Touch and hold CONTROL LOCK for 3 seconds to lock or unlock the controls of the dryer. During this time, the LED Display will count down 3-2-1. Once the controls are locked, the LED Display will display “Lc” or “Loc.”

NOTE: The Control Lock function may be enabled when recovering from a power failure. To unlock the control, touch and hold CONTROL LOCK for at least 3 seconds.

Using Your Dryer

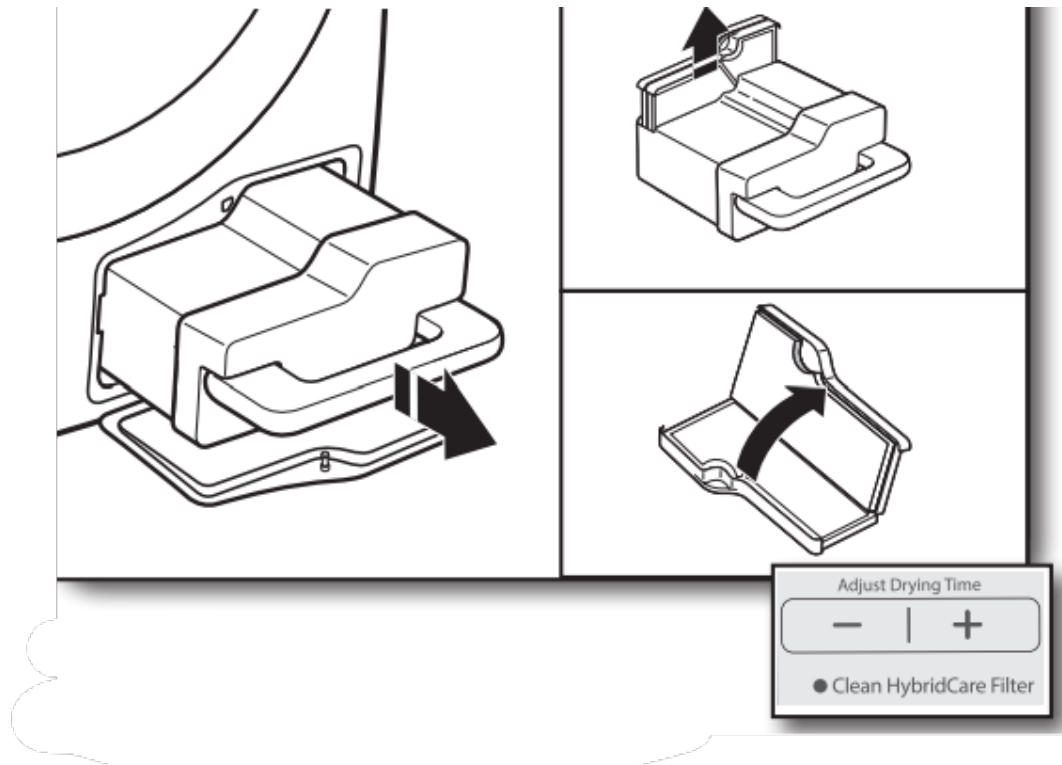
1. Clean the lint screen



Clean the lint screen before each load. Pull the lint screen straight up and out. Press tab down and open lint screen. Roll lint off the screen with your fingers. Push the lint screen firmly back into place.

IMPORTANT: Clean lint screen before each dryer use as a screen blocked with lint will increase drying time.

2. Clean HybridCare™ Filter

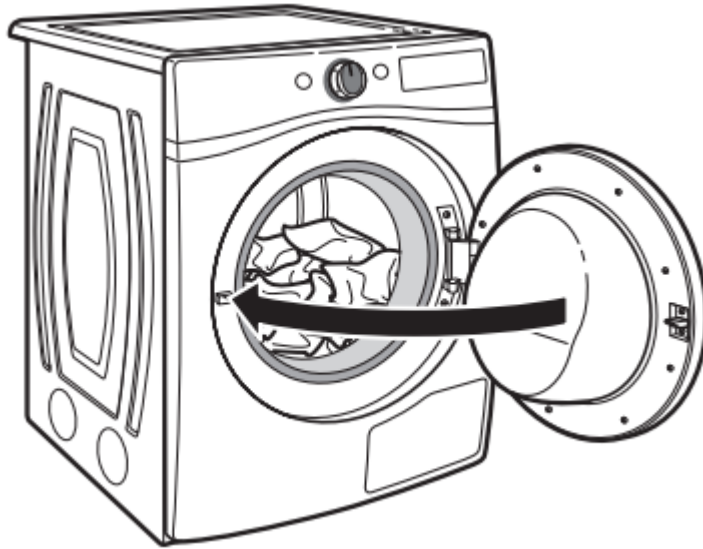


Clean the HybridCare™ Filter when light comes on after every 5 cycles. Open filter door on bottom of the dryer and grab the handle to pull out filter. Set filter on the dryer

and pull out lint screen on bottom of filter. Roll lint off screen with fingers and place back in filter housing. (There maybe some water in the filter and this is normal.) For additional cleaning information, see “Dryer Care.”

IMPORTANT: For best drying performance, clean HybridCare™ Filter after every 5th load. Light will reset after filter is cleaned and loaded back into filter housing.

3. Load the dryer



Open the door by pulling on the handle. Place laundry in the dryer. Add a dryer sheet to wet load if desired. Close the door.

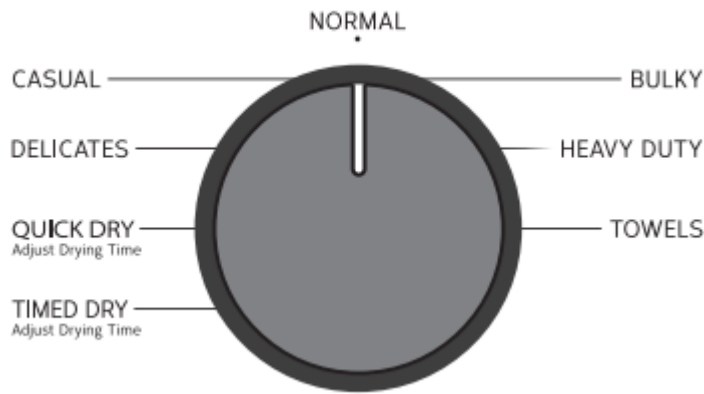
IMPORTANT: Do not tightly pack the dryer. Items need to tumble freely. Tightly packing can lead to poor drying performance and may increase wrinkling and tangling.

4. Touch POWER



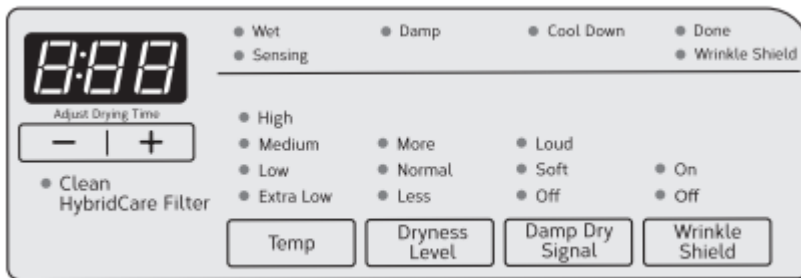
Touch POWER to turn on the dryer.

5. Select the desired cycle



Select the desired cycle for your load. See the “Cycle Guide” for more information about each cycle.

6. Adjust cycle settings, if desired



You may adjust different settings, depending on whether you have selected an Automatic Cycle or Timed Dry Cycle. See the “Cycle Guide” for detailed information.

NOTE: Not all options and settings are available with all cycles.

Automatic Cycles:

You can select a different dryness level, depending on your load. Touch DRYNESS LEVEL to scroll to More, Normal, or Less. Selecting More, Normal, or Less automatically adjusts the dryness level at which the dryer will shut off. Once a dryness level is set, it cannot be changed without stopping the cycle.

Automatic Cycles give the best drying in the shortest time. Drying time varies based on fabric type, load size, and dryness setting. Drying time is estimated and may change throughout the cycle. Drying time cannot be changed on Automatic Cycles.

Timed Dry Cycles:

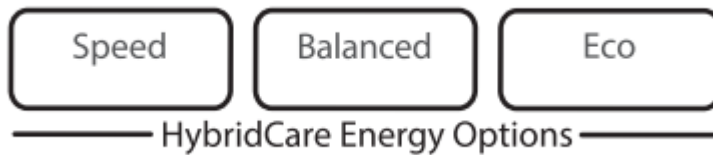


When you select a Timed Dry Cycle, the time appears in the display. Touch + and – to increase or decrease the time in 1 minute increments. Touch and hold to change the time in 5 minute increments.



The temperature may be changed by pressing Temp until the desired dry temperature is lit. Once a cycle has started, the temperature can be changed. Cycle time is estimated and may change throughout the cycle.

7. Select HybridCare™ Energy options



The display will show the HybridCare™ Energy Options for all cycles. To adjust an option, touch its name – Speed, Balanced, or Eco.

NOTE: All settings and options are not available with all programs.

8. Touch and hold START/PAUSE to begin cycle



Touch and hold START/PAUSE to begin the cycle.

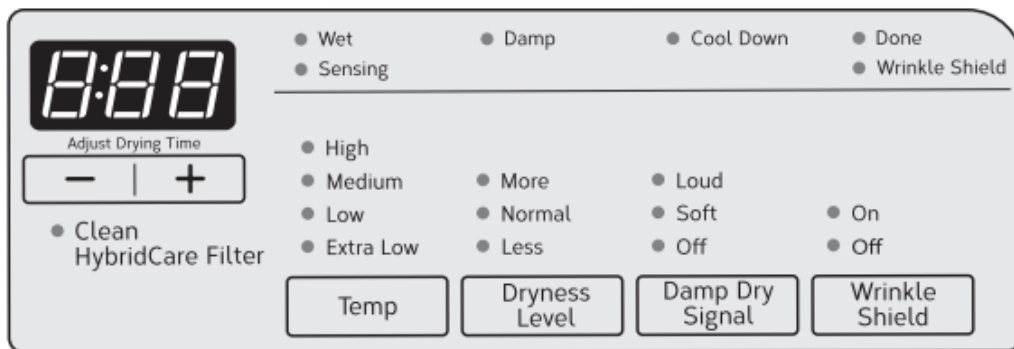
9. Remove garments promptly after cycle is finished





Promptly remove garments after cycle has completed to reduce wrinkling.

Cycle Status Indicators



The Cycle Status Indicators show the progress of a cycle.

Clean HybridCare™ Filter

Clean HybridCare™ Filter light comes on after every 5th cycle. Light will reset after filter is cleaned and loaded back into dryer cabinet. For additional cleaning information, see “Dryer Care.”

NOTE: If there are other error issues during a cycle, the Clean HybridCare™ Filter indicator will not light up. See “Troubleshooting” section.

Wet

The load is still wet and/or the cycle just started.

Damp

This indicator shows that the load is partially dried and items that you may wish to hang up or iron while still damp may be removed

Cool Down

The dryer has finished drying with heat, and is now tumbling the load without heat to cool it down and reduce wrinkling.

Done

This will indicate that the selected cycle has ended and the load may be removed from the dryer. If Wrinkle Shield™ option has been selected, the dryer may continue to tumble the load, even if the Done indicator is lit.

Sensing

The Sensing indicator will light during Automatic Cycles to indicate that the moisture sensor on the dryer is operating. This indicator will not light during Manual Cycles or options such as Wrinkle Shield.

Wrinkle Shield™ Option

This indicator will light if the Wrinkle Shield™ option has been selected and is running. The dryer will periodically tumble the load for up to 150 minutes after the cycle has ended.

Additional Features

USING THE DRYING RACK

To purchase a drying rack for your dryer, see “Accessories” section for more information. You will need your model and serial number and the purchase date. Remove and discard any packing material before use.

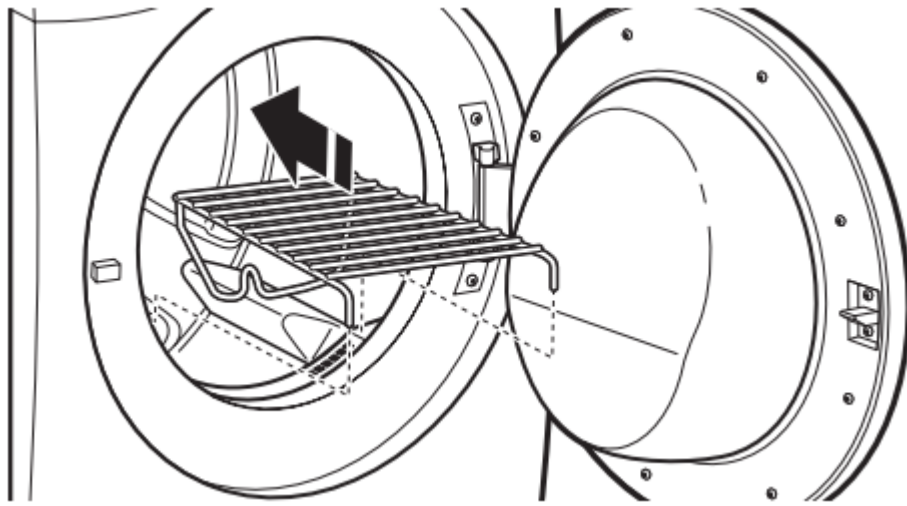
Use the Drying Rack for items that you do not want to tumble dry, such as sweaters and tennis shoes. When you use the drying rack, the drum continues to turn, but the rack remains stationary.

The drying rack is intended for use with the Manual Dry/ Timed Dry cycles only. The drying rack cannot be used with Automatic cycles.

To use the drying rack:

IMPORTANT: Do not remove the lint screen.

1. Open dryer door.



2. Align the two hooks on the front of the drying rack with the holes in the dryer door opening and press down fully into holes. Rest the rear support on the dryer back ledge.



3. Place wet items on top of the drying rack. Allow space around items for air to circulate. The drying rack does not move, but the drum will rotate; be sure to leave adequate clearance between items and the inside of the dryer drum. Make sure items do not hang over the edges or between drying rack grille.

4. Close the door.

5. Select a Timed Dry, or Low Temperature cycle. Items containing foam, rubber, or plastic must be dried on a clothesline.

6. When the cycle is selected, the Estimated Time Remaining display shows the default time. You can change the actual time in the cycle by increasing or decreasing the cycle time.

7. Start the dryer.

NOTE: Check the lint screen and remove any lint accumulated from items dried on the drying rack after the cycle is finished.

Dryer Care

CLEANING THE DRYER LOCATION

Keep dryer area clear and free from items that would block the airflow for proper dryer operation. This includes clearing piles of laundry in front of the dryer.

CLEANING THE DRYER INTERIOR

To clean dryer drum:

1. Use a mild hand dish detergent mixed at a low concentration with very warm water, and rub with a soft cloth.
2. Rinse well with a wet sponge or towel.
3. Tumble a load of clean clothes or towels to dry drum

OR

Use a microfiber cloth and hot water in a spray bottle to clean the drum and a second microfiber towel to dry.

NOTE: Garments that contain unstable dyes, such as denim blue jeans or brightly colored cotton items, may discolor the rear of the dryer interior. These stains are not harmful to your dryer and will not stain future loads of clothes. Dry unstable dye items inside out to avoid transfer of dye.

REMOVING ACCUMULATED LINT

From Inside the Dryer Cabinet

Lint should be removed every 2 years, or more often, depending on dryer usage. Cleaning should be done by a qualified appliance servicer

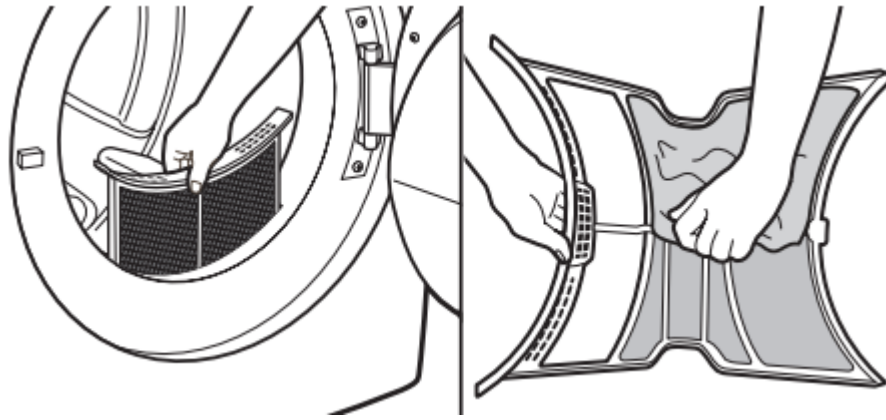
CLEANING THE LINT SCREEN

Clean lint screen after every load

The lint screen is located in the door opening of the dryer. A screen blocked by lint can increase drying time.

To clean:

1. Pull the lint screen straight up and out. Press tab down and open lint screen. Roll lint off the screen with your fingers.



2. Push the lint screen firmly back into place.

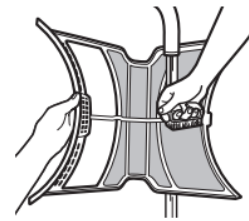
As needed cleaning

Laundry detergent and fabric softener residue can build up on the lint screen. This buildup can cause longer drying times for your clothes, or cause the dryer to stop before your load is completely dry. The screen is probably clogged if lint falls off while the screen is in the dryer.

Clean the lint screen with a nylon brush every 6 months, or more frequently, if it becomes clogged due to a residue buildup.

To wash lint screen:

1. Roll lint off the screen with your fingers.
2. Wet both sides of lint screen with hot water.
3. Wet a nylon brush with hot water and liquid detergent. Scrub lint screen with the brush to remove residue buildup.
4. Rinse screen with hot water.
5. Thoroughly dry lint screen with a clean towel.
Reinstall screen in dryer or lint filter.

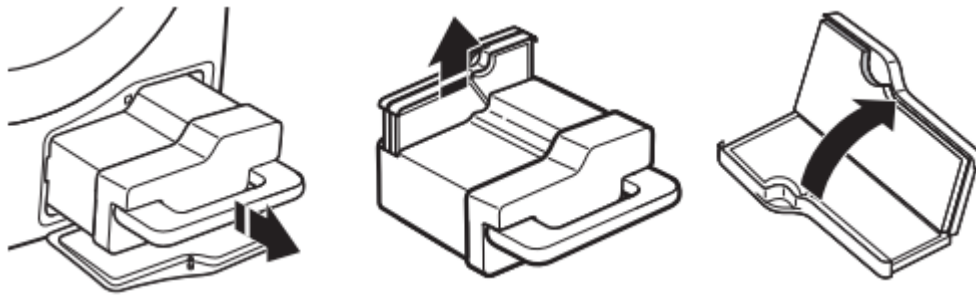


CLEANING THE HybridCare™ FILTER AND FILTER LINT SCREEN

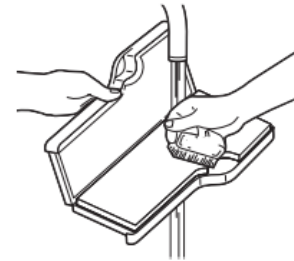
Clean HybridCare™ filter after every 5 loads

The filter is located in bottom corner of dryer. The control panel has an indicator light to remind you to clean the HybridCare™ filter.

1. Open the bottom filter door. Lift handle up and pull out filter. Set filter on the dryer and pull out lint screen located at the back of the filter. Remove lint off the screen with your fingers.



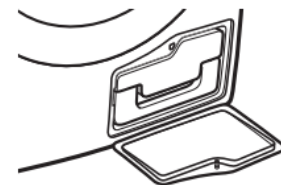
NOTE: If lint still remains on screen then wet both sides with hot water. If necessary, wet a nylon brush with hot water and liquid detergent. Scrub lint screen with the brush to remove residue buildup. Rinse screen with hot water.



2. Clean the filter housing and mesh inside with a damp cloth, household vacuum cleaner, or soft brush. Clean the screen at the back of the filter cabinet once a month.



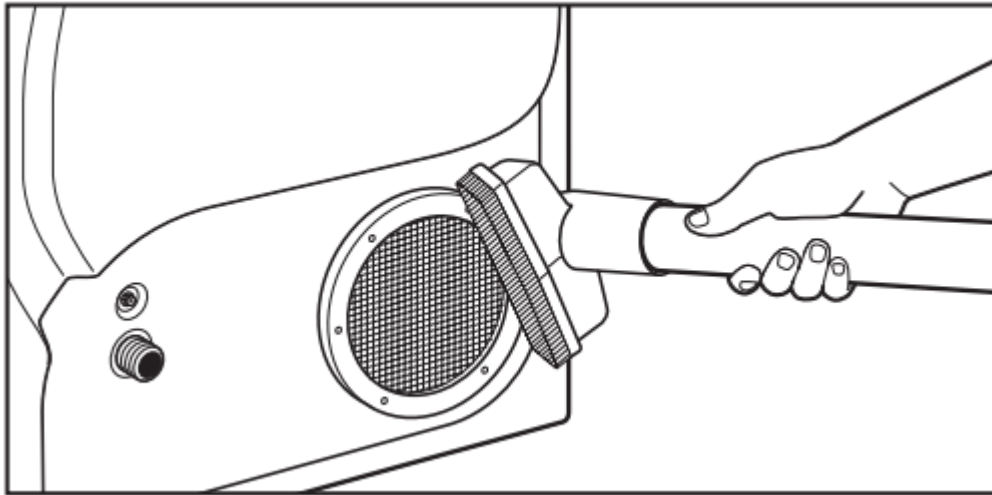
3. Put lint screen back into filter and put filter back in dryer cabinet. Dryer will not operate without filter and make sure the handle is downward to lock in place. LF will display if not properly seated.



CLEANING THE COOLING FAN SCREEN

The cooling fan screen is located on the back lower right of the dryer. Pull dryer away from wall and vacuum cooling fan screen with brush attachment.

IMPORTANT: Clean cooling fan screen monthly, or as needed. A blocked screen will increase drying time.



NON-USE, STORAGE, AND MOVING CARE

Install and store your dryer where it will not freeze. Because some water may stay in the hose, freezing can damage your dryer. If storing or moving your dryer during freezing weather, winterize it.

Non-Use or Storage Care

Operate your dryer only when you are at home. If you will be on vacation or not using your dryer for an extended period of time, you should:

1. Unplug dryer or disconnect power.
2. Clean lint screen. See “Cleaning the Lint Screen.”

Moving Care

For power supply cord-connected dryers:

1. Unplug the power supply cord.
2. Make sure leveling legs are secure in dryer base.
3. Use tape to secure dryer door.

For direct-wired dryers:

1. Disconnect power.
2. Disconnect wiring.
3. Make sure leveling legs are secure in dryer base.
4. Use tape to secure dryer door.

Reinstalling the Dryer

Follow the Installation Instructions to locate, level, and connect the dryer.

Troubleshooting



If you experience	Possible Causes	Solution
Dryer Operation		
Dryer will not run	Door not closed completely.	Make sure the dryer door is closed completely.
	START/PAUSE not touched firmly or held long enough.	Touch and hold START/PAUSE 2-5 seconds.
	Lint filter and/or HybridCare™ filter not in place.	Place filter back in dryer and make sure the filter is properly seated. LF will display if not properly seated.
	Household fuse is blown or circuit breaker has tripped.	There may be 2 household fuses or circuit breakers for the dryer. Check that both fuses are intact and that both circuit breakers have not tripped. Replace the fuses or reset the circuit breaker. If the problem continues, call an electrician.
	Incorrect power supply.	Electric dryers require 240-volt power supply. Call a qualified electrician.
Wrong type of fuse.	Use a time-delay fuse.	
Dryer will not heat	Household fuse is blown or circuit breaker has tripped.	The drum may be turning, but you may not feel heat. Electric dryers use 2 household fuses or circuit breakers. Replace the fuses or reset the circuit breaker. If the problem continues, call an electrician.
	Incorrect power supply.	Electric dryers require 240-volt power supply. Call a qualified electrician.
Unusual Noise		
Thumping noise	Dryer hasn't been used in a while.	This is due to temporary flat spots on the drum. The thumping sound will diminish after a few cycles.



Rattling or vibrating noise	A small object caught between the edges of dryer drum.	Check the front and rear edges of the drum for objects. Clean out pockets before laundering.
	Dryer isn't properly leveled.	The dryer may vibrate if not properly installed. See Installation Instructions. All four dryer feet must be in firm contact with the floor.
	Clothing is balled up in dryer.	When balled up, the load will bounce, causing noise and vibration. Separate the load items and restart the cycle.
Loud humming or increased noise during cycle	Load is packed tightly.	Reduce load size to recommended load size. See "Load Capacity Guide." Run the dryer for 5-10 minutes.
Dryer Results		
Clothes are not drying satisfactorily or drying times are too long	Lint screen is clogged with lint.	Clean lint screen before each load.
	HybridCare™ filter and screen is clogged with lint.	Clean HybridCare filter after every 5th cycle. Clean lint screen behind filter once a month.
	Cooling fan screen is blocked with lint.	Pull dryer out and make sure cooling fan has proper ventilation. Clean cooling fan screen on back of dryer monthly, or as needed.
	The dryer is not level.	Clothes not contacting the moisture sensor. Run Automatic cycles. See "Level Dryer" in the Installation Instructions.
	The load is too large and heavy to dry quickly.	Separate the load to tumble freely.
	Fabric softener sheets are blocking the grille.	The air outlet grille is just inside the door, behind the lint screen. Check that it is not blocked by a fabric softener sheet. Use only one fabric softener sheet, and use it correctly.



<p>The dryer is located in a room with temperature below 45°F (7°C).</p>	<p>Proper operation of dryer cycles requires temperature above 45°F (7°C).</p>
<p>The dryer is located in a closet.</p>	<p>Closet doors must have ventilation openings at the top and bottom of the door. The front of the dryer requires a minimum of 1" (25 mm) of airspace, and, for vented installations, the rear of the dryer requires clearance. See the Installation Instructions.</p>



There may be some water in the HybridCare™ filter or on floor	The dryer is not level.	Dryer needs to have a slope less than 1" ("Level Dryer" in the Installation Instructions)
	HybridCare™ filter is not properly seated.	Make sure filter is placed in the housing correctly. See "Cleaning the HybridCare™ Filter and Housing"
	Drain hose is longer than what was provided.	Drain hose can be installed no higher than 36" from bottom of the dryer. See "Drain System Installation Instructions."
Cycle time is too short	The load may not be contacting the sensor strips on Automatic Cycles.	Level the dryer. See the Installation Instructions. Dryer feet should be in firm contact with the floor.
	The automatic cycle is ending early.	Change the dryness level setting on Automatic Cycles. Increasing or decreasing the dryness level will change the amount of drying time in a cycle. If loads are ending too early, also see "Changing the Automatic Cycle Settings to Increase or Decrease Drying Time"
Lint on load	Lint screen is clogged with lint.	Clean lint screen before each load.
Stains on load	Improper use of fabric softener.	Add dryer fabric softener sheets at the beginning of the cycle. Fabric softener sheets added to a partially loaded dryer can stain your garments. Do not use fabric softener sheets with steam cycles.
Stains on drum	Loose dyes in clothes.	Drum stains are caused by dyes in clothing (e.g., jeans). These will not transfer to other clothes.
Loads are wrinkled	The load was not removed from dryer at the end of the cycle.	Refer to garment care label instructions. Dry cleaning garments are not recommended.
	The dryer was tightly packed.	Dry smaller loads that can tumble freely. Results may vary depending on fabric type.

Odors



	Recent painting, staining, or varnishing in the area where your dryer is located.	Ventilate the area. When the odors or fumes clear from the area, rewash and dry the clothing.
	Odors are left in garments after wearing.	Rewash and dry the clothing.
Load too hot	Load removed before cool down portion of cycle complete.	Allow the dryer to complete the cool down cycle before removing the load.
	Using Timed Dry cycle with a high temperature setting.	Select an Automatic Cycle with a lower heat setting to avoid overdrying the load.
Stains or lint build-up on wall behind dryer	Dryer too close to wall.	Move dryer away from wall and make sure there is proper ventilation.
Clean HybridCare™ Filter indicator is lit	The HybridCare™ Filter and/or lint screen is clogged.	<p>The dryer will continue to run when this indicator is lit. Try the following:</p> <ul style="list-style-type: none"> • Clean lint screen. • Clean the HybridCare™ Filter and screen. Clean the filter cabinet. Must be cleaned every 5 cycles for best performance.



Dryer Displaying Code Message or Cycle Status Indicator Lights Up		
"LF"	Lint filter removed.	Indicates that the HybridCare™ filter has been removed. Place filter into dryer and make sure the filter is properly seated.
"PF" (power failure)	The drying cycle has been interrupted by a power failure.	Touch and hold START to restart the dryer. NOTE: The Control Lock function may be disabled when recovering from a power failure. To unlock the dryer, touch and hold CONTROL LOCK for at least 3 seconds.
"L2" Diagnostic Code (low or no line voltage condition)	There may be a problem with your home power supply, keeping the dryer's heater from turning on.	The dryer will continue to run when this diagnostic code is present. Touch any pad to clear the code from the display and return to the estimated time remaining for the cycle. NOTE: This error will only show during the initial installation. Try the following: Check to see if a household fuse has blown or the circuit breaker has tripped. Electric dryers use two 20-amp fuses or breakers. Replace the fuse or reset the circuit breaker. Confirm that the power cord is properly installed according to the Installation Instructions for details. Select a Timed Dry heated cycle, and restart the dryer. If the message persists, consult a qualified technician.
"F# E#" (F1 E1, F3 E1, etc.) variable service codes	The dryer is in need of service.	If a code beginning with an "F" appears in the display, alternating between F# and E#, the dryer has detected a problem that requires service. Consult a qualified technician.
"Loc" or "Lc"	The Control Lock is enabled.	Touch and hold CONTROL LOCK for 3 seconds to disable the controls of the dryer. During this time the display will count down 3-2-1. When the Control Lock is disabled, the LED Display will clear.

Warning



This content is compiled from multiple sources and is provided for reference purposes only. It may not be complete or fully applicable to all situations. If you are unable to resolve your issue, please contact the product manufacturer or an authorized service provider for official support.

Document generated by [ManualsFile](#)

