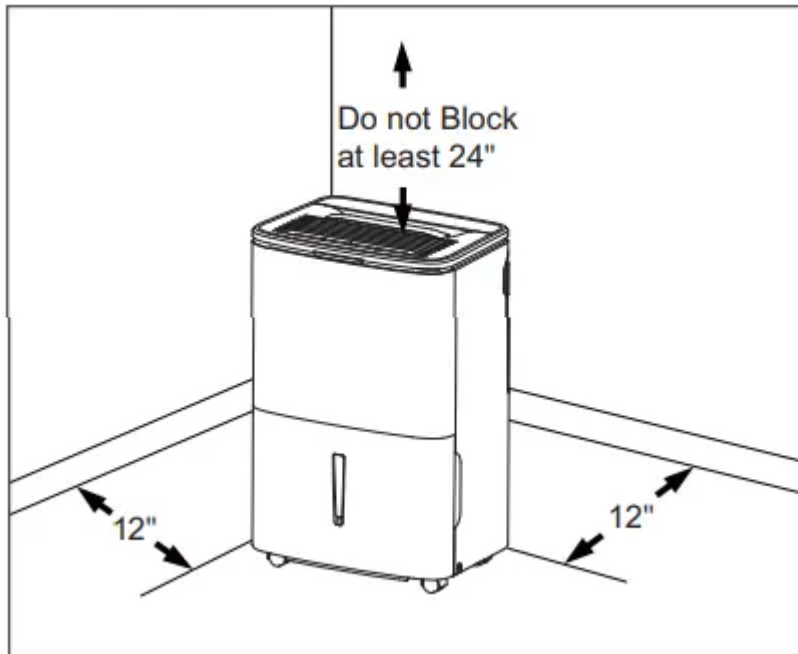


## Location & How It Works

### Location



### Selecting a Location

#### IMPORTANT:

1. Dehumidifier must be operated in an enclosed area to be most effective. Close all doors, windows, and other outside openings to the room. The effectiveness of the dehumidifier depends on the rate at which new moisture-laden air enters the room.
2. Place dehumidifier in a location that does not restrict the airflow of the air intake and air outlet.
3. A dehumidifier operating in a basement will have little or no effect in drying an adjacent enclosed storage area, such as a closet, unless there is adequate circulation of air in and out of the area. It may be necessary to install a second dehumidifier in the enclosed area for satisfactory drying.
4. The dehumidifier must be installed on a level floor that will support it with a full bucket of water.
5. There should be a minimum of 12 inches clearance around the dehumidifier. The unit will produce heat while in operation and should not be operated in an enclosed small space like a closet.

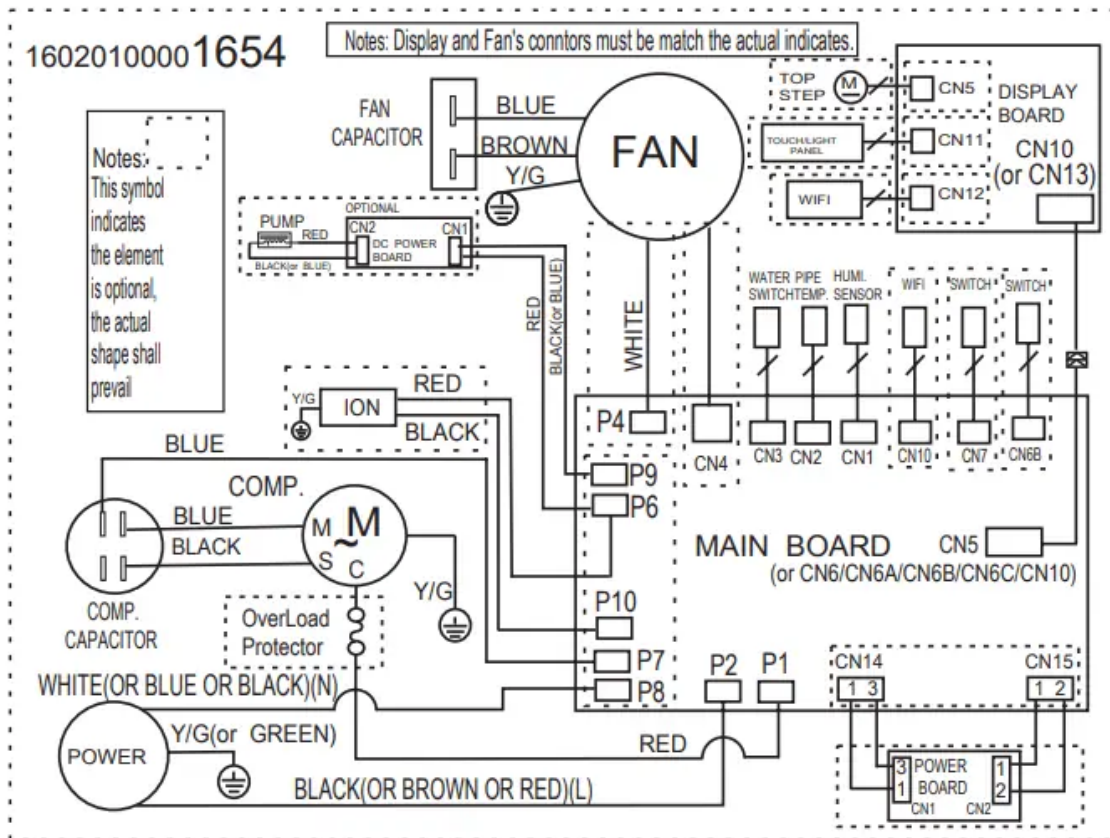
## How It Works

When the unit is started, the fan begins to pull moisture-laden air across the dehumidifying coils. The coils condense or draw moisture from the air, and air flows through the air outlet louvers into the room as dry, warm air. Moisture removed from air is collected in a bucket on the front of the dehumidifier.

The unit is designed to operate between 41 °F (5 °C), and 89 °F (32 °C). The unit will not work properly if the temperature is out of this temperature range, or the performance of the unit will fall greatly.

The "Compressor" circuit has an automatic 3 minute time delayed start if the unit is turned off and on quickly. This prevents overheating of the compressor and possible circuit breaker tripping. Make sure the tank is fitted correctly otherwise unit will not turn on.

## Wiring Diagram

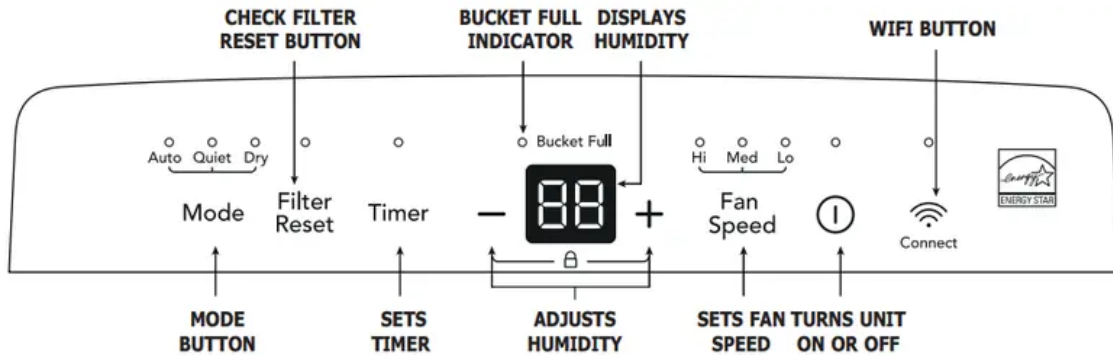


## Dehumidifier Features & Operating Instructions

### Dehumidifier Features

#### ELECTRONIC CONTROL

Before you begin, thoroughly familiarize yourself with the control panel and all its functions (as shown below). The unit can be controlled by the touch pad alone or with the Frigidaire app\*.



\*Refer to the Quick Start Guide that came with your Smart Dehumidifier for detailed instructions on setting up your dehumidifier for connected operation from your smart phone or tablet.

## Operating Instructions

### Quick glance light behavior

Situation	Quick Glance Light Behavior
In Quiet or Continuous mode.	The light will turn off.
In Dry or Auto mode, when ambient humidity is at or higher the set humidity.	The light will turn off.
In Dry or Auto mode, when ambient humidity is lower then set humidity.	The light will continuously emit a blue light to show the set humidity has been reached.
When bucket full or clean filter light is on	The light will emit orange light and gradually turn dark and bright every 4 sec
When E4, EC, AS or ES error occur.	The light will emit red light and gradually turn dark and bright every 4 sec.
When unit is connecting to internet.	The light will flash white light.

- When the unit is establishing connection to internet the quick glance light will flash in white light and if the connection is established the quick glance light will emit white light for 10 sec then follow the behavior in above table.
- The light can be activated or deactivated by pressing and holding the "Fan Speed" button and "+" button simultaneously for 3 sec.

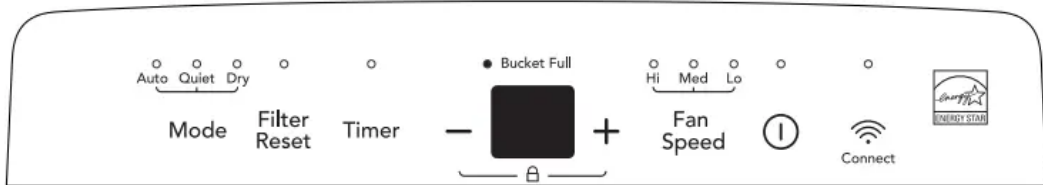
**Allow the unit to reach room temperature before operating.**

**To begin operating the dehumidifier, follow these steps:**

**NOTE:** Unit must be upright for one hour prior to operating.

1. **Plug the power cord into a properly grounded 115 volt AC outlet.**

**NOTE:** If the "BUCKET FULL" light is flashing, remove the bucket and re-install to reset the float switch.



2. **To turn the unit on, press the ON/OFF button. The unit will run in the factory setting of Auto mode. In this mode, the unit will automatically set a comfortable humidity and fan speed according to the indoor environment.**

**Note:** In this mode, set humidity and fan speed can not be changed manually and the display will show actual room humidity.



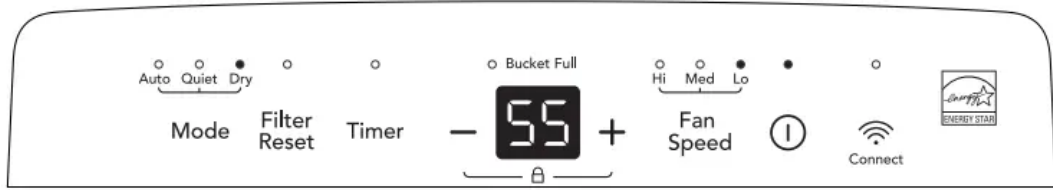
3. **To use Quiet mode, press the Mode button to choos Quiet mode. The unit will run in low fan speed for the whole time and the unit will automatically set a comfortable humidity according to the indoor environment.**

**Note:** In this mode, set humidity and fan speed can not be change manually and the display will show actual room humidity.



4. **To use Dry mode, press the Mode button to choos Dry mode. In this mode, you can press the HUMIDITY - or + buttons to choose a value between 35% to 85%, so the room is kept at a comfortable humidity. Pressing the - or + buttons will **change the humidity selection in 5% increments. 5 seconds after you have set the desired humidity, the****

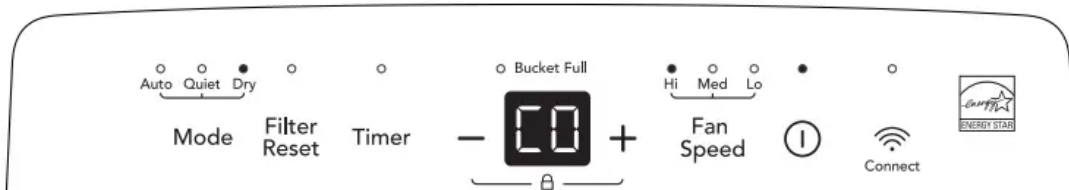
readout will display the actual room humidity.



5. During the Dry mode, You can also use the FAN SPEED button to change the fan speed to Hi, Med or Lo. The indicator light will show the setting you have selected. A higher fan speed will result in quicker moisture removal.



6. To use CONTINUOUS mode, when in Dry mode pressing the " - " button until the display reads CO. In this mode, the unit will continuously on and the unit will only display CO not the room humidity. To leave this mode, press the " + " button



7. The Filter reset light will illuminate after 250 hours of operation. At this time refer to the care and cleaning section to remove and clean the filter. Once the filter has been cleaned and replaced, simply press the Filter reset button to extinguish the light.



8. The TIMER function enables you to either Delay Start or Delay Stop the unit in the choice from 0.5 hour to 24 hours. If the unit is running, then selecting Timer will turn the unit off in the hours that will be set (Delay Stop). If the unit is off, then selecting Timer will turn the unit on in the hours that will be set (Delay Start). TIMER setting: First press TIMER button, then adjust timer setting, by tapping or holding the " - " or " + " button to change the delay timer at 0.5 hour increments, up to 10 hours, then by 1 hour increments up to 24 hours. The control will count down the time remaining (8, 7.5, 7, etc.) until the unit either starts or stops. For the Delay Start, the fan speed and humidity maintained will be the same as previous setting. After TIMER setting finishes, pressing

TIMER button again at any time will stop the TIMER function. The Delay Start/Stop Feature will work until the unit either starts or stops. Once that happens the above steps have to be repeated.

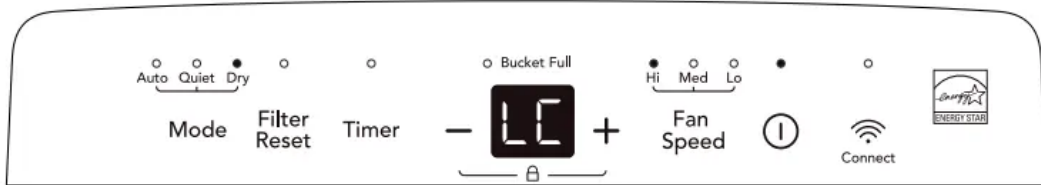
**NOTE:**

Before entering TIMER setting, make sure power is being supplied to the unit.

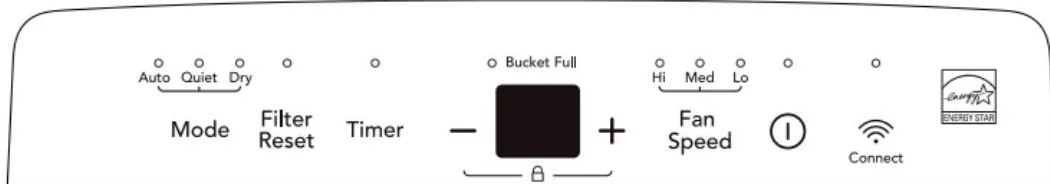
Before entering TIMER setting, select a desired setting for operation when the unit turn on.



9. Press and hold the "-" and "+" for 3 sec can activate or deactivate the LOCK function. **The display will show LC for 5 secs. The control panel will be lock and the setting can not be changed**



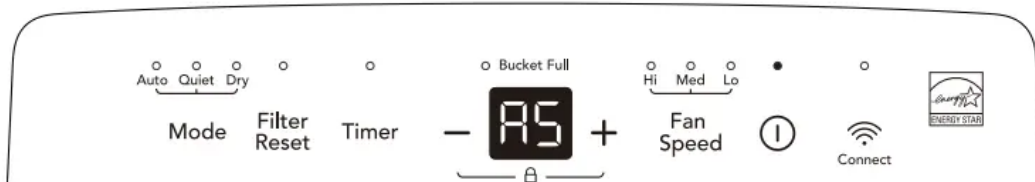
10. To shut the unit down, press the ON/OFF button.



**Note: After a power outage, the unit will memorize the last setting and return the unit to the same setting once power is restored.**

**Fault Codes**

1. If the display reads "AS" or "ES" , a sensor has failed. Contact your Authorized Frigidaire Service Center.



2. If the display reads "EC" , check the following operating conditions. Outlet voltage should be 115V±10% and the surrounding temperature should be with in the range of 41 °F to 89 °F. Unplug the unit and plug it in again under normal operating conditions. If the "EC"



code persists, contact your Authorized Frigidaire Service Center.



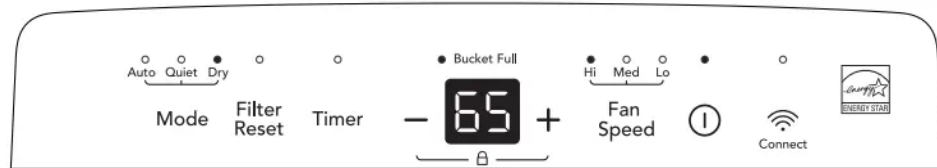
3. If the display reads "E4", the communication between display PCB and main control PCB is faulty. Contact your Authorized Frigidaire Service Center.



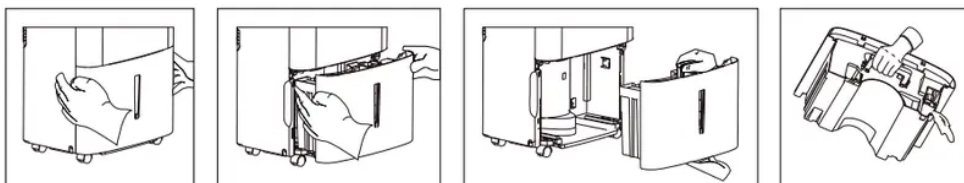
## Removing Collected Water

1. Emptying the Bucket:

1. When the bucket is full, the unit will shut down and the BUCKET FULL indicator will illuminate.

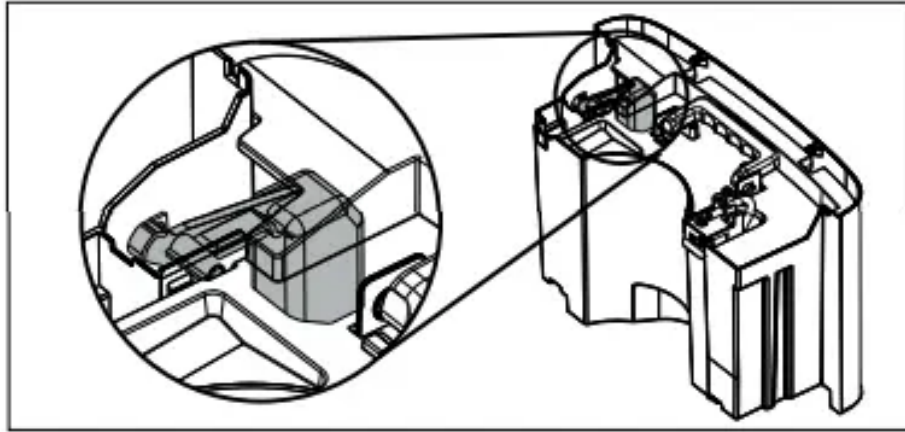


2. Do not move the unit at this time otherwise water may spill on the floor.
3. Press sides of bucket gently to unclip the bucket from the unit.
4. Remove the bucket as shown in the photographs below and empty the bucket.  
**WARNING Discard water from bucket. Water is not potable and cannot be used for drinking.**



5. Replace the empty bucket back into the unit and once seated correctly, the unit will start up again.

6. You should hear a click when the bucket is in the correct position. If the bucket full light does not extinguish, check that the float is correctly snapped in place.



## 2. Continuous Drainage:

1. For continuous drainage operation, you will need a garden hose and a drain nearby to discharge the water into.
2. Unscrew the drain cap on the back side of the unit. (fig.1)
3. Insert the female threaded end of the hose onto the drain connector of the unit. (fig.2)
4. Screw the garden hose onto the threaded portion of the drain connector. (fig.3)
5. Make sure the hose is secure so there are no leaks.
6. Direct the hose toward the drain, making sure that there are no kinks that will stop the water flowing.
7. Place the end of the hose into the drain. (fig.4)
8. Select the desired humidity setting and fan speed on the unit for continuous draining to start.

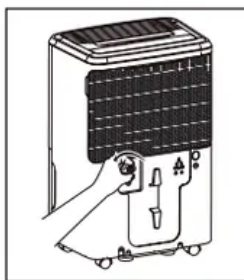


fig. 1

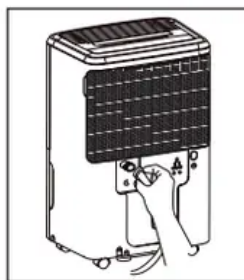


fig. 2

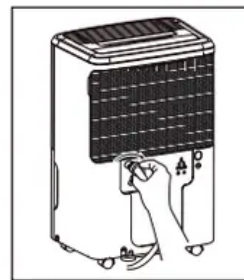


fig. 3

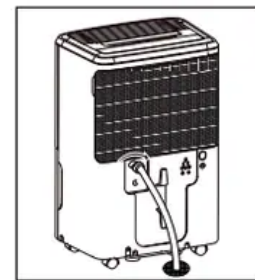


fig. 4

### NOTE:

1. Check the seal between the hose and the drain connector. If there is a small leak then replace the hose gasket and re-tighten the hose.

2. It is recommended that a Dehumidifier Drain Hose - 1/2" (12.7 mm) or larger be used. Make sure there are no kinks or elevations in the hose.
3. When a hose is not attached to the drain connector, please ensure drain cap is screwed securely to the connector to prevent leakages

## Care and Cleaning & Storage

### Care and Cleaning

#### 1. Filter

Clean the filter every two weeks based on normal operating conditions.

To remove the filter:

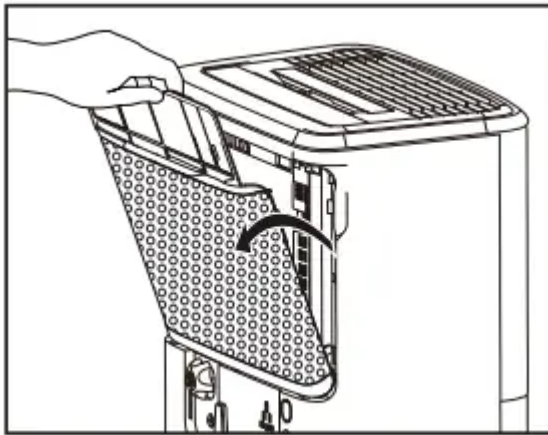
1. Open the back grille and pull out the filter.
2. Wash the filter with clean water then dry.
3. Re-install the filter.

#### 2. Cabinet

1. Dust cabinet with an oil-free cloth, or using a damp cloth.
2. Vacuum grill using brush attachment.

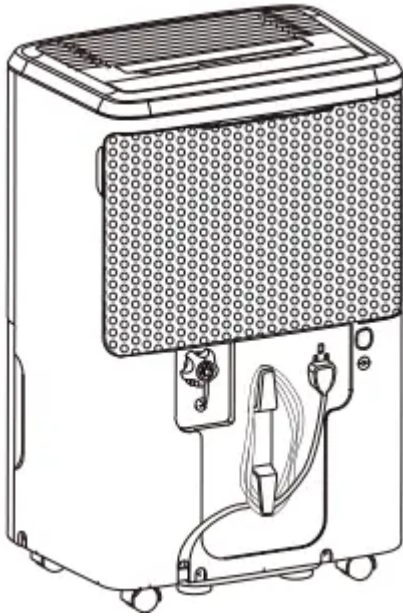
#### 3. Water Bucket

1. Clean bucket with warm water and detergent.

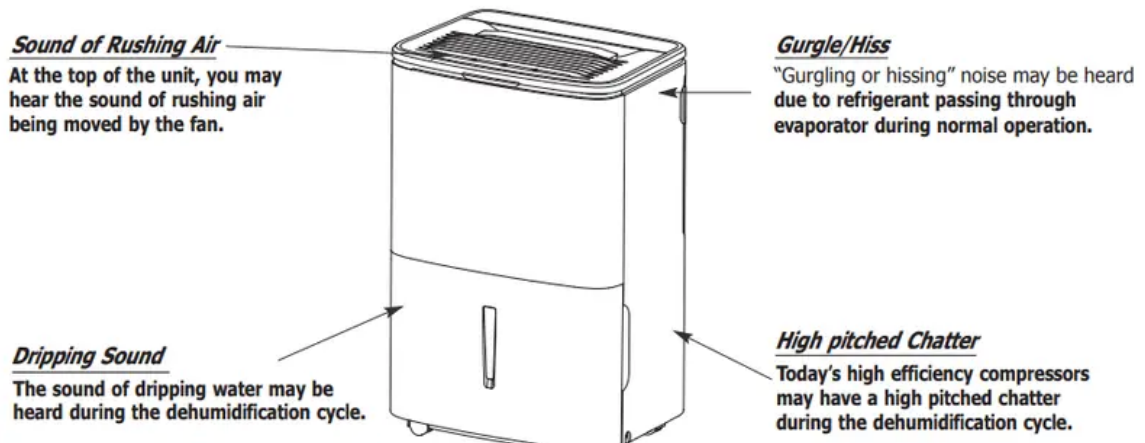


### Storage

When unit is not in use, unplug and use the cord wrap shown for your model type.



## Normal Sounds



## Before You Call

Before calling for service, review this list. It may save you time and expense. This list includes common occurrences that are not the result of defective workmanship or materials in this appliance.

OCCURRENCE	SOLUTION
<p><b>DEHUMIDIFIER DOES NOT OPERATE.</b></p>	<p>Wall plug disconnected. Push plug firmly into wall outlet.</p>
	<p>House fuse blown or circuit breaker tripped. Replace fuse with time delay type or reset circuit breaker.</p>
	<p>The dryness level you selected has been reached. Dehumidifier automatically shuts off when selected amount of moisture has been removed from the air. If you want to remove more moisture, Select 'CONTINUOUS' by using the humidity button or knob. After the dehumidifier starts, reset the control to the desired setting.</p>
	<p>Bucket not installed properly. See "Removing Collected Water".</p>
	<p>Water in the bucket has reached its preset level. Dehumidifier automatically turns off when this occurs. Empty bucket and return bucket to position.</p>
	<p>Dehumidifier is not turned on. Turn unit on.</p>
	<p>"BUCKET FULL" light is on. Remove bucket, empty water and re-install correctly.</p>
<p><b>DEHUMIDIFIER RUNS TOO MUCH.</b></p>	<p>Windows or doors near dehumidifier are open to outdoors. Close all windows or doors to outside.</p>
	<p>Area to be dehumidified is too large. Check with your dealer to see if capacity is adequate.</p>
	<p>Air movement through dehumidifier is blocked. Grill may be dirty. Use brush attachment of vacuum cleaner to clean grill. See "Care and Cleaning". Dehumidifier</p>



	<p>must be placed in a space that does not restrict air flowing into the rear coil or out of the front grill.</p>
	<p>Dehumidifier has been installed or restarted recently. The higher the moisture in the room, the longer the dehumidifier will operate.</p>
	<p>Dehumidifier is in the CONTINUOUS mode and will remain on in this mode, use the humidity button or knob to set a RH% higher level.</p>
<p><b>DEHUMIDIFIER IS OPERATING BUT ROOM IS NOT DRY ENOUGH.</b></p>	<p>Humidity setting is too high. Press the HUMIDITY button or rotate knob to a lower setting or choose CONTINUOUS for maximum dryness.</p>
	<p>Dehumidifier has been installed or restarted recently. The higher the moisture in the room air, the longer it takes for the room air to become dry.</p>
	<p>Dehumidifier does not have sufficient clearance to operate. Air flow to the air outlet is blocked. See "Selecting a Location".</p>
	<p>Room temperature is too low. Unit will not operate satisfactorily if the room temperature is below 41 °F(5 °C). See"Operating Conditions".</p>
	<p>Refer to causes under DEHUMIDIFIER RUNS TOO MUCH.</p>
<p><b>FROST APPEARS ON COILS BEHIND THE FILTER</b></p>	<p>Dehumidifier has been turned on recently. This is normal due to refrigerant rushing through the coil. Frost will usually disappear within 60 minutes.</p>
	<p>Room Temperature is too low. All models will operate satisfactorily at temperatures greater than 41 °F (5 °C).</p>



<b>FAN NOISE.</b>	Air is moving through the dehumidifier. This is a normal sound.
<b>TROUBLE CONNECTING THE SMART APPLIANCE TO YOUR WIFI NETWORK OR EXPERIENCING AN ISSUE WITH THE APP.</b>	Please visit Frigidaire.com and select the Owner Support section to view Frequently Asked Questions.

If These Solutions Fail, Call 1-800-944-9044(US)/1-800-265-8352(Canada) For Frigidaire Service.

**Warning**

This content is compiled from multiple sources and is provided for reference purposes only. It may not be complete or fully applicable to all situations. If you are unable to resolve your issue, please contact the product manufacturer or an authorized service provider for official support.

---

Document generated by [ManualsFile](#)

