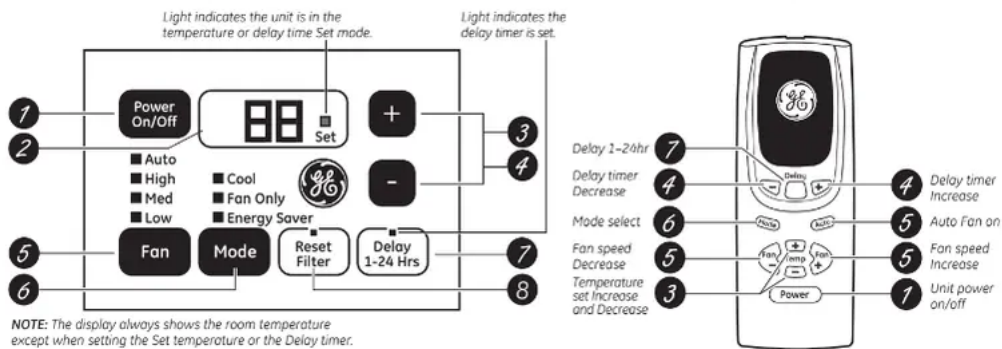


Operating Instructions

About the controls on the air conditioner.

Features and appearance will vary.

Lights next to the touch pads on the air conditioner control panel indicate the selected settings.



Controls (on some models)

1. Power Pad

Turns air conditioner on and off. When turned on, the display will show the room temperature.

2. Display

Shows the room temperature or time remaining on the Delay timer. Shows the Set temperature while setting the temperature in Cool or Energy Saver modes. The Set light will turn on while setting.

NOTE: The display will change to show the room temperature after settings have been made.

3. Temp Increase ▲/Decrease ▼ Pads

Use to set temperature when in Cool or Energy Saver mode. The Set light will turn on while setting.

4. Delay Timer Increase ▲ (+) /Decrease ▼ (-) Pads

Each touch of the Increase ▲/Decrease ▼ pads on the unit or the Increase + /Decrease - pads on the remote control will set the delay time when using the Delay 1-24hr timer. The Set light will turn on while setting.

5. Fan Speed Pads

Use to set the fan speed to Low, Med, High or Auto on the unit. NOTE: On the remote control, use the fan speed Increase + / Decrease - pads to set the fan speeds to Low, Med or High. Use the Auto pad to turn Auto fan on.

6. Mode Pad

Use to set the air conditioner to Cool, Energy Saver or Fan Only mode.

7. Delay Pads/Delay 1-24hr Pad

Delay ON—When the air conditioner is off, it can be set to automatically come on in 1 to 24 hours at its previous mode and fan settings.

Delay OFF—When the air conditioner is on, it can be set to automatically turn off in 1 to 24 hours.

How to set:

Press the Delay 1-24hr pad on the unit or the Delay pad on the remote control. Each touch of the Increase ▲/Decrease ▼ pads on the unit or the Increase + / Decrease - pads on the remote control will set the timer in 1-hour intervals. The Set light will turn on while setting.

To review the remaining time on the Delay 1-24hr timer, press the Delay 1-24hr pad on the unit or the Delay pad on the remote control. Use the Increase ▲/Decrease ▼ pads on the unit or the Increase + / Decrease - pads on the remote control to set a new time if desired.

To cancel the timer, press the Delay 1-24hr pad until the light on the Delay 1-24hr pad goes off.

8. Reset Filter

LED will turn on when fan has accumulated 250 hours of run time as a reminder to clean filter. Press Reset Filter to turn off the LED and reset the accumulated run time.

Note: The default temperature reading on the display is degree Fahrenheit (°F). To change the display to degree Celcius (°C), press the Temp Increase ▲ and Temp Decrease ▼ buttons together and hold for 3 seconds. Repeat the process to change back to degree Fahrenheit (°F)

Do Not Operate in Freezing Outdoor Conditions

This cool-only air conditioner was not designed for freezing outdoor conditions. It must not be used in freezing outdoor conditions.

Remote Control

- To ensure proper operation, aim the remote control at the signal receiver on the air conditioner.
- Make sure nothing is between the air conditioner and the remote control that could block the signal.
- The remote control signal has a range of up to 20 feet.

- Make sure batteries are fresh and installed correctly as indicated on the remote control.
- Remote contains a magnet allowing it to attach to metal surfaces.

Cool Mode

Use the Cool mode at Low, Med, High or Auto Fan Speed for cooling. Use the Temperature Increase ▲ / Decrease ▼ pads to set the desired temperature between 64°F and 86°F in 1°F increments.

An electronic thermostat is used to maintain the room temperature. The compressor will cycle on and off to keep the room at the set level of comfort. Set the thermostat at a lower number and the indoor air will become cooler. Set the thermostat at a higher number and the indoor air will become warmer.

NOTE: If the air conditioner is off and is then turned on while set to a Cool setting or if turned from a fan setting to a Cool setting, it may take approximately 3 minutes for the compressor to start and cooling to begin. Cooling Descriptions

For Normal Cooling-Select the Cool mode and High or Med fan with a middle set temperature.

For Maximum Cooling-Select the Cool mode and High fan with a lower set temperature.

For Quieter and Nighttime Cooling-Select the Cool mode and Low fan with a middle set temperature.

Energy Saver Mode

This mode optimizes the cooling power of your air conditioner, thereby saving you energy. Once the set point temperature has been reached, the fan will cycle off to save energy. The fan will cycle back on periodically to insure all cooling capacity in the system is used. This mode is the default mode for the unit. Each time the unit is powered off, it will restart in Energy Saver mode ON. This includes Delay timer mode. The first time the unit is turned on, the settings will be 70° and Low fan. You can adjust the fan speed and temperature to your personal comfort.

Energy Saver ON— Helps minimize electricity use. It is normal for the fan to cycle off and then back on in this mode. This on/off cycle can repeat multiple times. Because the fan will cycle off, you may notice a variation in room temperature and humidity.

Energy Saver OFF—When this mode is not engaged, the fan will run continuously, and in Cool mode the compressor will cycle on and off to maintain room temperature.

Fan Only Mode

Use the Fan Only Mode at Low, Med or High fan speed to provide air circulation and filtering without cooling. Since fan-only settings do not provide cooling, a Set temperature cannot be entered. The room temperature will appear in the display.

NOTE: Auto Fan Speed cannot be used when in the Fan Only Mode. Auto Fan Speed

Set to Auto fan speed for the fan speed to automatically set to the speed needed to provide optimum comfort settings with the set temperature.

If the room needs more cooling, the fan speed will automatically increase. If the room needs less cooling, the fan speed will automatically decrease.

NOTE: Auto Fan Speed cannot be used when in the Fan Only Mode

Power Outage Recovery Feature

In the case of a power outage or interruption, the unit will automatically restart in the settings last used after the power is restored. If the Delay 1-24hr feature was set, it will resume countdown. You may need to set a new time if desired

About the controls on the air conditioner.

Additional important information.

Air Direction

Use the lever to adjust the air direction left and right only.



Care and cleaning

Grille and Case

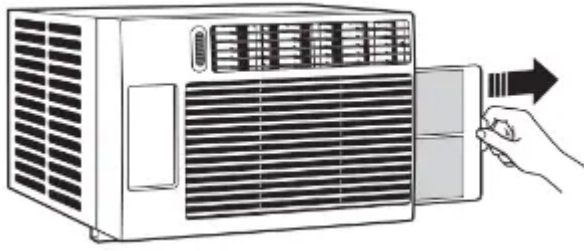
Turn the air conditioner off and remove the plug from To clean, use water and a mild detergent. Do not use the wall outlet before cleaning. bleach or abrasives.

Air Filter

The air filter behind the front grille should be checked and cleaned at least every 30 days or more often if necessary.

To remove:

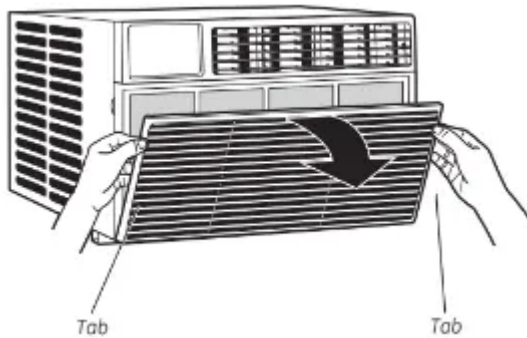
Pull the tab on the right side of the unit until the filter is out.



To remove:

Open the inlet grille by pulling downward on the tabs at the top upper corners of the inlet grille until the grille is in a 45° position. Remove the filter.

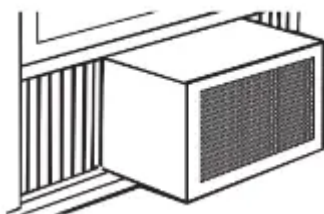
Clean the filter with warm, soapy water. Rinse and let the filter dry before replacing it. Do not clean the filter in a dishwasher.



CAUTION: DO NOT operate the air conditioner without a filter because dirt and lint will clog it and reduce performance.

Outdoor Coils

The coils on the outdoor side of the air conditioner should be checked regularly. If they are clogged with dirt or soot, they may be professionally cleaned.



How to Insert the Batteries in the Remote Control

1. Remove the battery cover by sliding it according to the arrow direction.
2. Insert new batteries, making sure that the (+) and (-) of battery are installed correctly.



3. Reattach the cover by sliding it back into position.

NOTES:

- Use 2 "AAA" (1.5 volt) alkaline batteries. Do not use rechargeable batteries.
- Remove the batteries from the remote control if the system is not going to be used for a long time.
- Do not mix old and new batteries. Do not mix alkaline, standard (carbon-zinc) or rechargeable (ni-cad, ni-mh, etc) batteries.



Troubleshooting Tips.

Air conditioner does not start	The air conditioner	Make sure the air conditioner plug is pushed is unplugged. completely into the outlet.
	The fuse is blown/ circuit breaker is tripped.	Check the house fuse/circuit breaker box and replace the fuse or reset the breaker
	Power failure.	<p>The unit will automatically restart in the settings last used after the power is restored.</p> <p>There is a protective time delay (approximately 3 minutes) to prevent tripping of the compressor overload. For this reason, the unit may not start normal cooling for 3 minutes after it is turned back on.</p>
	The current interrupter device is tripped.	<p>Press the RESET button located on the power cord plug.</p> <p>If the RESET button will not stay engaged, discontinue use of the air conditioner and contact a qualified service technician.</p>
Air conditioner does not cool as it should	Airflow is restricted.	Make sure there are no curtains, blinds or furniture blocking the front of the air conditioner.
	The temp control may not be set correctly.	<p>On models with touch pads: In the Cool mode, press the Decrease ▼ pad.</p> <p>On models with control knobs, turn the temperature knob to a higher number.</p>
	The air filter is dirty.	Clean the filter at least every 30 days. See the Care and Cleaning section
	The room may have been hot	When the air conditioner is first turned on, you need to allow time for the room to cool down.

	Cold air is escaping.	Check for open furnace registers and cold air returns.
	Cooling coils have iced up.	See "Air conditioner freezing up" below.
Air conditioner freezing up	Ice blocks the air flow and stops the air conditioner from cooling the room.	On models with control knobs, set the mode control at High Fan or High Cool with the Temp at 1 or 2. On models with touch pads, set the controls at High Fan or High Cool and set the thermostat to a higher temperature.
The remote control is not working	The batteries are inserted incorrectly.	Check the position of the batteries. They should be inserted in the opposite (+) and (-) direction.
	The batteries may be dead	Replace the batteries.
Water drips outside	Hot, humid weather.	This is normal.
Water drips indoors	The air conditioner is not tilted to the outside.	For proper water disposal, make sure the air conditioner slants slightly from the case front to the rear.
Water collects in base pan	Moisture removed from air base pan.	This is normal for a short period in areas with little and drains into humidity; normal for a longer period in very humid areas

Normal Operating Sounds

- You may hear a pinging noise caused by water being picked up and thrown against the condenser on rainy days or when the humidity is high. This design feature helps remove moisture and improve efficiency. m
- You may hear the thermostat click when the compressor cycles on and off.
- Water will collect in the base pan during high humidity or on rainy days. The water may overflow and drip from the outdoor side of the unit.
- The fan may run even when the compressor does not.

Warning

This content is compiled from multiple sources and is provided for reference purposes only. It may not be complete or fully applicable to all situations. If you are unable to resolve your issue, please contact the product manufacturer or an authorized service provider for official support.

Document generated by [ManualsFile](#)