

Vacuum Assembly

CARTON CONTENTS

- A. Handle
- B. Vacuum Base
- C. Pet Turbo Tool/Turbo Tool*
- D. Crevice Tool
- E. Telescoping Wand
- F. Screw (for assembly)
- G. Dirt Cup
- H. Pet Upholstery Tool*
- I. Articulating Upholstry Tool*
- J. Articulating Dusting Tool*
- K. Extra Filter* *Varies per model

Remove all parts from carton and identify each item shown.

Make sure all parts are located before disposing of packing materials.

Additional parts may be ordered at Hoover.com or call 1-800-944-9200.

ATTACH HANDLE

Note: Remove the screw located in the vacuum base and set aside until instruction

1.2 Insert handle section into vacuum base. Push down firmly.

1.3 Using a Phillips screwdriver, fasten (1) screw behind handle into vacuum base.

ATTACH DIRT CUP

1.4 Place bottom of dirt cup into vacuum body first. Pivot cup into vacuum. Dirt cup is secure when you hear a click.

POSITION TOOLS (varies per model)

1.5 Attach bottom of Turbo Tool (A) and pivot into Air powered Tool Clip until secure.

1.6 Place Crevice Tool into Wand and slide into tool storage area on left back side (B) of vacuum and place Upholstery Tool or Articulating Tool on right back side (C) of vacuum as shown.

HOW TO USE

VACUUM DESCRIPTION

1. Handle
2. ON/OFF Switch
3. Dirt Cup Release Button
4. Carry Handle
5. Dirt Cup
6. Stair Cleaning Handle
7. Headlight*
8. Height Adjustment
9. Furniture Guard
10. Brushroll On/Off Pedal (Suction Only Mode)
11. Filter made with HEPA media and Carbon Filter* Access
12. Rinsable Filter Access
13. System Check Indicator
14. Turbo Tool **
15. Crevice Tool (inside wand)
16. Telescoping Wand
17. Hose
18. Handle Release Pedal
19. Hose Tube
20. Hose Release Button
21. Dusting/ Upholstery Tool**
22. Cord
23. Air Valve Dial

ON-OFF SWITCH

2.2 Plug cord into electrical outlet. To turn vacuum ON, push ON/OFF switch once. To turn vacuum OFF, push switch again

SUCTION ONLY MODE/ BRUSHROLL SHUT-OFF

2.3 For optimal cleaning performance on bare floors and carpet with pile deeper than 1", brushroll should be turned off.

The vacuum is shipped with the brushroll in the ON position. To turn brushroll OFF for Suction Only Mode, step on pedal (A).

TRANSPORTING CLEANER

2.6 To move your cleaner from room to room, put handle in upright position, tilt cleaner back on rear wheels and push forward.

HANDLE POSITIONS

2.7 The handle of your cleaner has two positions:

- 1) Upright for storage and when using cleaning tools.
- 2) Operating position for general operation on carpets and floors. Step on handle release pedal to lower handle

CARPET HEIGHT ADJUSTMENT

2.8 To adjust height setting, TURN knob (A) to desired height setting. For maximum cleaning performance, the following carpet height settings are recommended:

- Barefloor setting (1): for bare floors.
- Low setting (2): for all types of carpet.
- Higher settings: for very deep pile carpet, where easier pushing effort is desired, while maintaining good cleaning performance.

AIR VALVE DIAL

2.9 To operate dial, TURN dial (A) to desired position until it clicks. HOSE position is for cleaning with hose and/or tools. FLOOR position is for general floor cleaning thru nozzle.

TOOLS

Tools allow for cleaning surfaces above the floor and for reaching hard to clean areas.

The vacuum is ready for tool use when handle is in upright position.

SELECT PROPER TOOL (Tools may vary per model)

- A. Use Upholstery Tool to clean upholstered furniture and carpeted stairs.
- B. Turbo Tool may be used for upholstered furniture, and carpeted stairs.
- C. Telescoping Wand is used to give extra length to your hose.
- D. Crevice Tool may be used in tight spaces, corners and along edges.
- E. Articulating Tool may be used to clean hard to reach areas such as ceiling fans and bookshelves

REMOVING HOSE

3.2 When using cleaning tools, place cleaner handle in the upright position. The agitator brushroll will not rotate when the cleaner is in the upright position. To remove hose for tool use, press the hose release button and pull hose end out. To lock back into place, push hose into hose tube until you hear a click.

3.3 Set air valve for desired use. Hose Floor. Turn valve back counterclockwise to FLOOR position until it clicks (A).

ATTACH WAND AND TOOLS (Tools may vary per model)

3.3 Attach tool or wand to the hose (A). Attach tool to wand (B) by pushing it firmly onto the wand. Twist wand or tool slightly to tighten or loosen the connection. To extend wand, twist counterclockwise to the unlocked position, extend wand & twist clockwise until tight. Reverse to collapse.

HOW TO CLEAN TOOLS

To clean Hose and Turbo Tool, wipe with a damp cloth. DO NOT submerge in water.

Other cleaning tools may be washed in warm water with a mild detergent. Rinse and air dry 24 hours before using.

STAIR CLEANING

3.4 Lift vacuum by Stair Cleaning Handle and position on stairs. Clean forward to back. Never leave the vacuum standing on stairs when not cleaning.

3.5 Use the Hose and Turbo Tool (Tool varies per model) for stair cleaning. When using tools, always ensure handle is in upright position.

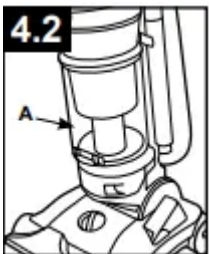
MAINTENANCE

Familiarize yourself with these home maintenance tasks as proper use and care of your vacuum will ensure continued cleaning effectiveness. If appliance is not working as it should, has been dropped, damaged, left outdoors, or dropped into water, take it to a service center prior to continuing use.

4.1 The System Check Indicator located at (A), alerts you to possible system performance issues.

When to Empty

4.2 To maintain optimal performance empty the dirt cup before the dirt cup reaches the max line (A) Place the vacuum in the upright position before removing the dirt cup



How to Empty

4.3 Press dirt cup release button (A) and pivot cup out.

4.4 Hold dirt cup over trash receptacle, push dirt cup door release lever (B) to open dirt cup door (C). Close dirt cup door (C). Press firmly to secure at front (D).

4.5 Place bottom of dirt cup into vacuum body first. Pivot dirt cup into vacuum body and press firmly until it locks into place.

FILTERS: When to Clean

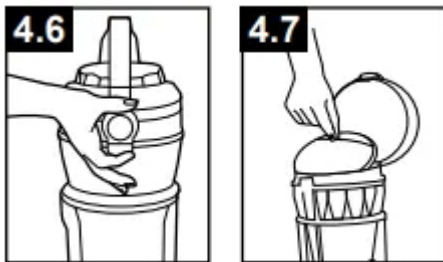
To maintain optimal performance filters should be cleaned at least every two months under normal use.

Rinsable Filter: How to Clean

Remove dirt cup as described in Fig 4 3 4 6 Pull up on dirt cup latch to open 4 7 Pull on filter by the pocket to remove rinsable filter Hold filter under running water for at least two minutes to remove dirt and debris Squeeze filter twice while underwater Remove from water and squeeze a final time to remove excess water.

Filter Made With HEPA Media: How to Clean

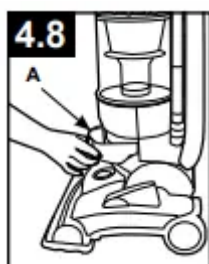
- 4 8 With fingers in slots pull filter frame (A) straight out Hold filter over a trash receptacle and tap out dirt and debris Slide back into position on vacuum.



Filter Made With HEPA Media: How to Clean

4 8 With fingers in slots pull filter frame (A) straight out Hold filter over a trash receptacle and tap out dirt and debris

Slide back into position on vacuum



Carbon Filter : How to Clean (Available on select models only).

Your Carbon Filter is located on the underside of the Filter made with HEPA media

Cyclonic Filter Assembly: How to Clean

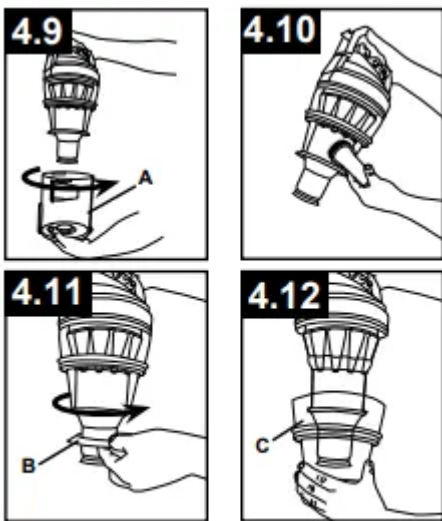
Remove dirt cup as described in Fig 4 3

- 4 9 Twist filter assembly (A) counter clockwise Remove assembly from dirt cup

- 4 10 Dirt and debris can be cleaned from the filter assembly with the Dusting/ Upholstery Tool
- 4 11 f further cleaning of the internal filter assembly is required turn dust skirt (B) counterclockwise to remove
- 4 12 Grab dirt cup shroud (C) pull straight off and clean with dusting/upholstery tool

After cleaning replace dirt cup shroud (C) onto inside edge of filter assembly and align Place skirt (B) onto shroud align (4) slots with (4) tabs and turn clockwise to lock

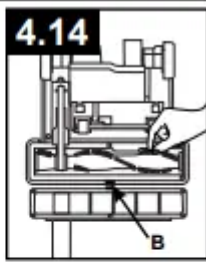
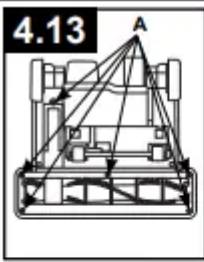
Place the filter assembly (4 9 A) on the dirt cup aligning (3) tabs on filter with (3) slots on dirt cup (B) and twist it clockwise to secure into position.



Replace dirt cup as described in Fig 4 5

BRUSHROLL: How to Clean

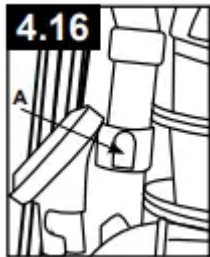
- 4 13 Turn vacuum over so bottom side is facing up and remove the (6) screws (A)
- 4 14 Pivot out bottom plate away from hidden latch (B) and remove any debris and/or hair from the brushroll
- 4 15 Reposition bottom plate aligning latch (B) and fastening all (6) screws (A) Press firmly at latch (B) area to ensure that it is properly latched.



HOSE: How to Clean

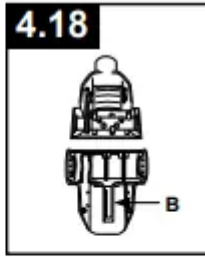
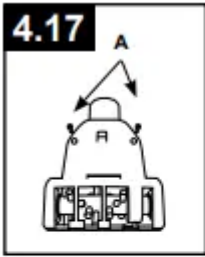
- 4.16 To remove hose for tool use press the hose release button (A) and pull hose end out

Clear away debris or obstructions from hose Do not use sharp objects to clean out hose as they can cause damage To lock back into place push hose into hose tube until you hear a click



TURBO TOOL: How to Clean (Tool varies per model)

- 4.17 Clean the Turbo Tool by removing the two screws (A) located on the bottom cover with a Phillips head screwdriver
- 4.18 Remove the bottom cover (B) Clean out any debris or hair from the brushroll and turbine fan
- 4.19 Replace the bottom cover insert and tighten the (2) screws



HEADLIGHT: How to Replace

Removing Lens

- Press Handle Release Pedal and place handle in low position
- 4 20 Using a Phillips screwdriver remove (2) screws as shown and lift off lens

Installing Bulb

- 4 21 Pull old bulb straight out of socket Push new bulb straight into socket until locked in place
- Do not use excessive force when installing bulb
- Do not twist or turn bulb when installing bulb

Replacing Lens

4 22 Reposition lens and secure with screws



BELT

The belt is located under the bottom plate of the vacuum and should be checked from time to time to be sure it is in good condition

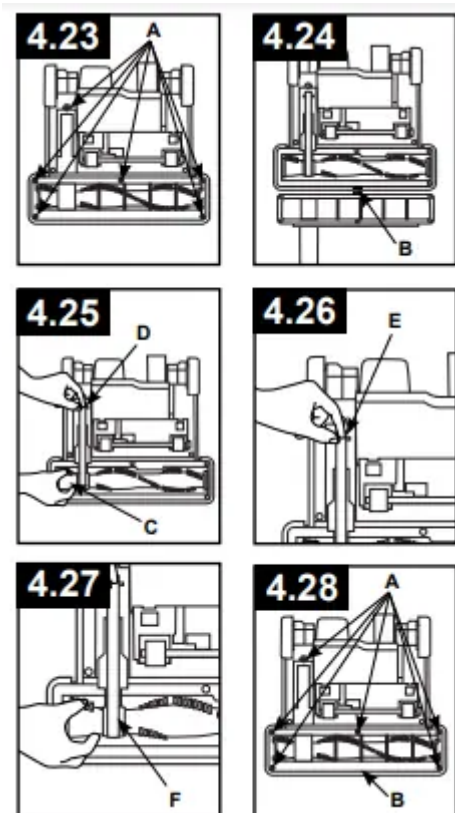
When To Replace

Replace belt if it is stretched cut or broken To check the belt refer to Fig 4 26 4 28

How To Replace

- 4 23 Turn vacuum over so bottom side is facing up and remove the (6) screws (A)
- 4 24 Pivot out bottom plate away from hidden latch (B)
- 4 25 Remove used belt from brushroll (C) then from motor shaft (metal rod) (D) and discard
- 4 26 With lettering on outside of belt slide new belt over motor shaft (metal rod) (E)
- 4 27 Remove any debris and/or hair from the brush roll Then slip other end of belt around area of brushroll without bristles (F) With belt in place pull and slide brushroll into nozzle making sure that the brushroll end caps are in the correct orientation
- 4 28 Reposition bottom plate aligning latch (B) and fastening all (6) screws (A)

Press firmly at latch (B) area to ensure that it is properly latched



LUBRICATION:

The motor and brushroll are equipped with bearings which contain sufficient lubrication for their lifetime The addition of lubricant could cause damage Do not add lubricant to motor or brushro

TROUBLESHOOTING

If a minor problem occurs, it usually can be solved quite easily when the cause is found by using the checklist below.

Any other servicing should be done by an authorized service representative. If appliance is not working as it should, has been dropped, damaged, left outdoors, or dropped into water, take it to a service center prior to continuing use.

Vacuum won't run

1. Power cord not firmly plugged into outlet.
 - Plug unit in firmly.
2. Blown fuse or tripped breaker.
 - Check fuse or breaker in home. Replace fuse/reset breaker in home.
3. Thermal Protector activated.
 - Unplug and allow vacuum to cool for 30min.(This will reset the thermal protector)

System Check Indicator has turned red Vacuum won't pick up Low suction

1. Rinsable Filter and/ or Filter made with HEPA media is dirty.
 - Clean Rinsable Filter and or Filter made with HEPA media - Pg. 11.
2. Dirt cup full and/ or clogged.
 - Empty dirt cup - Pg. 10.
3. Broken or worn belt.
 - Replace belt - Pg.14.
4. Brushroll and/ or Hose clogged.
 - Check Hose - Pg. 13. Check Brushroll - Pg. 12.
5. Carpet height setting is incorrect.
 - Set Carpet Height Adjustment to appropriate setting for carpet being cleaned - Pg.7
6. Suction Only Mode is ON.
 - Step on Brushroll ON/OFF Pedal to turn Suction Only Mode OFF - Pg. 6.
7. Valve dial may be partially turned and/or not in proper mode.
 - Turn valve dial to FLOOR or HOSE mode.– Pg. 7

Dust escaping from vacuum

1. Dirt cup full.

- Empty dirt cup - Pg. 10.

2. Dirt cup not installed correctly.

- Review Dirt Cup removal & replacement - Pg. 11.

3. Hose not installed correctly.

- Review Hose installation - Pg. 8.

4. Rinsable and/ or Filter made with HEPA media not installed completely.

- Review Filter Removal and Cleaning - Pg. 11.

Headlight not working

1. Bulb burnt out.

- Replace bulb - Pg. 13.

2. Loose electrical wires.

- Call 1-800-944-9200 for nearest authorized Hoover® dealer.

Vacuum is difficult to push or won't move forward

1. Carpet height setting is incorrect.

- Set Carpet Height Adjustment knob to appropriate setting for carpet being cleaned - Pg. 7.

2. Brushroll is activated.

- . For very high pile carpet deeper than 1", turn brushroll off.

Turbo Tool brushroll won't turn

1. Too much pressure being applied to tool.

- Continue using tool applying light pressure.

2. Blockage.

- Remove blockage.

3. Low vacuum suction.

- Check items under "Vacuum won't pick up or Low suction."

4. Valve dial may be partially turned and/or not in proper mode.

- Turn valve dial to FLOOR or HOSE mode. – Pg. 7

Smoky/burning smell detected

1. Belt broken or stretched.

- Replace brushroll belt - Pg. 14.

2. Brushroll is clogged.

- Clear/ remove debris from brushroll - Pg. 12

Warning

This content is compiled from multiple sources and is provided for reference purposes only. It may not be complete or fully applicable to all situations. If you are unable to resolve your issue, please contact the product manufacturer or an authorized service provider for official support.

Document generated by [ManualsFile](#)