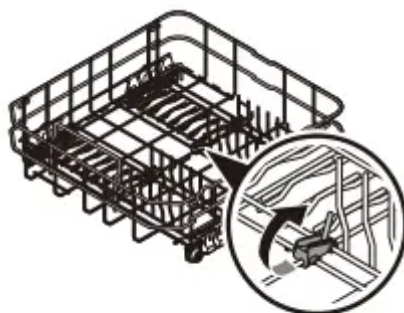


# Using your dishwasher

## Basic use of racks

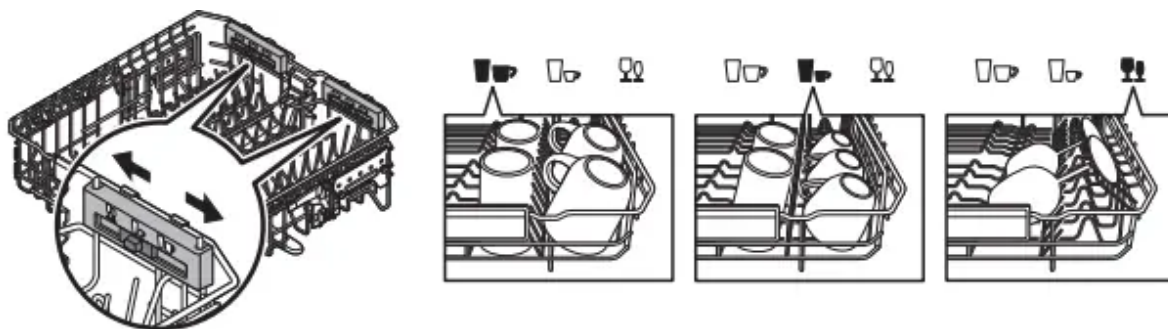
### Angle of the plate supports

In the Lower rack, you can easily fold down the fold-down tines to make room for large items such as pots and pans in the Zone Booster area. Remove the rack from the dishwasher, and then fold down the tines one at a time. See the illustration below.



Lower rack

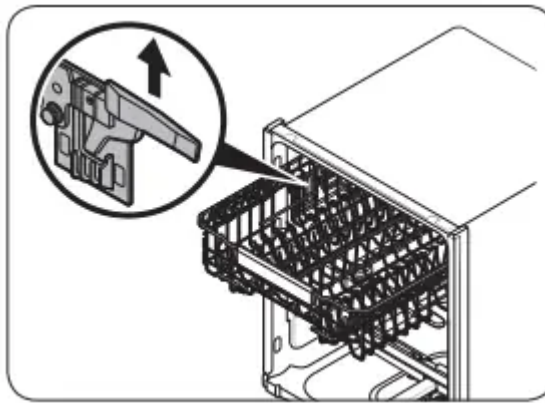
In the Upper rack, you can adjust the angle of the tines to three different positions to match the size and shape of your dishes. To adjust the tines, grasp the handle at the front of the rack, and then push it left or right. See the illustration below.



Upper rack

### Height adjustment

You can adjust the height of the upper rack in your Samsung dishwasher so that the lower rack can accommodate larger sized dishes. Depending on where you set the upper rack height, the lower rack can accommodate plates up to 12 in. (30 cm) in diameter and the upper rack can accommodate plates up to 8 in. (20 cm) in diameter.



#### To raise the upper rack

Pull the upper rack upwards. The adjustable handle will latch, and the upper rack will rise.

#### To lower the upper rack

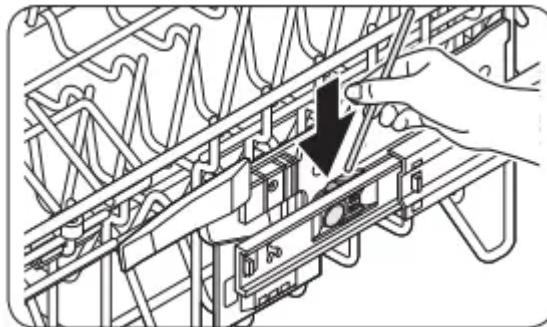
Hold both the adjustable handles located at the left and right sides of the upper rack, and then evenly press down.



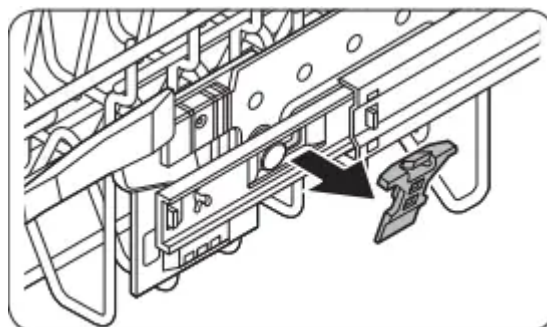
#### **CAUTION**

- Adjust the height of the upper rack before loading dishes into the rack. Adjusting the rack after loading the dishes may damage the dishes.
- Make sure to hold both handles when adjusting, or the dishwasher door may not close properly

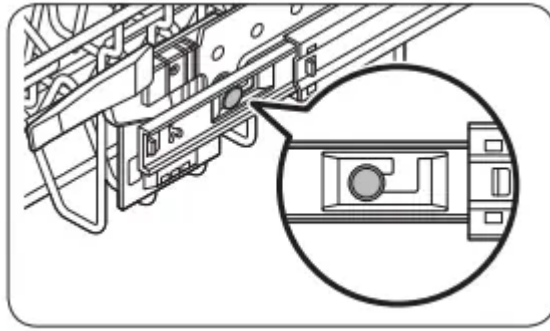
#### **To remove the upper rack**



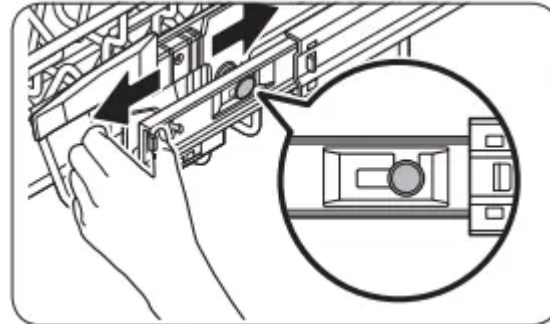
1. Push the hook on the left rail holder and then the right rail holder.



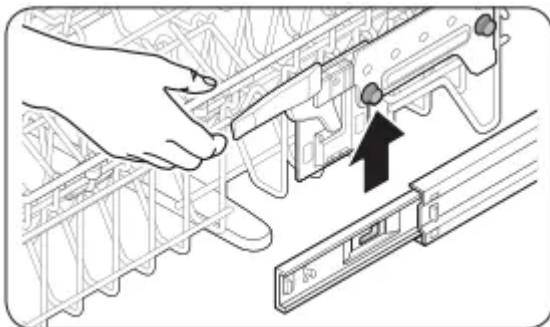
2. Remove the rail holders from the left and right rails.



3. Check the position of the shaft (dark grey in the illustration) on the rail bracket.



4. Slide the upper rack so that the shaft is positioned at end of the rail bracket.



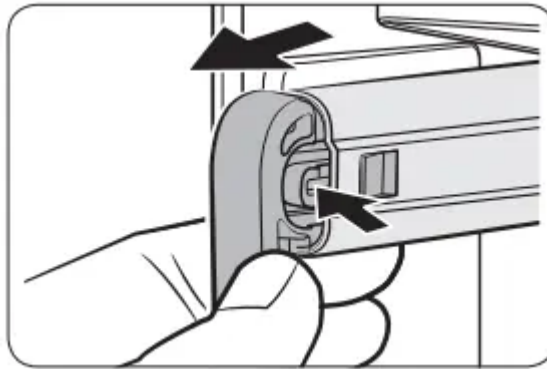
5. Lift the upper rack to remove.

6. Reverse the order of removal to reinsert the upper rack.

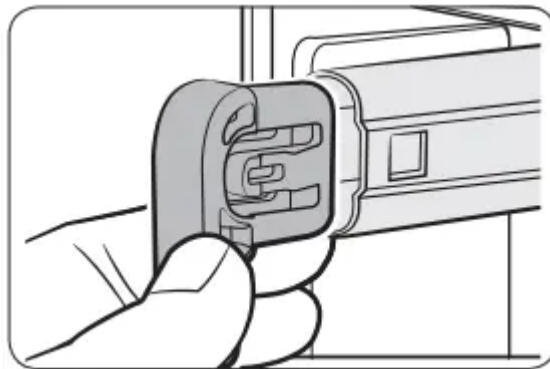
 **CAUTION**

- Do not operate the dishwasher without the upper rack. Otherwise, noises occur and the dishwasher does not operate properly.
- Because the upper rack is removable, insert the upper rack properly to ensure the dishwasher operates normally.
- Take care that you do not lose the holder rails during this process.

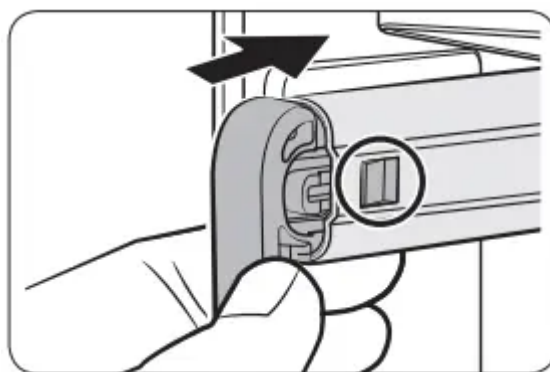
**To remove the 3rd Rack**




1. Stand facing the dishwasher, and then pull the 3rd rack out so that the handles at the ends of the rack supports (dark grey in the illustration) are even with the end of the rack.
2. With your right thumb, find the small indentation on the inside of the left rack support that houses the tab for the handle lock.



3. Push the handle lock tab in (i.e. to your left) with the tip of your thumb, and then pull the handle towards you until it disengages from the support.
4. Repeat this process with the right handle using your left thumb.
5. When the handles are removed, remove the 3rd rack from the dishwasher.



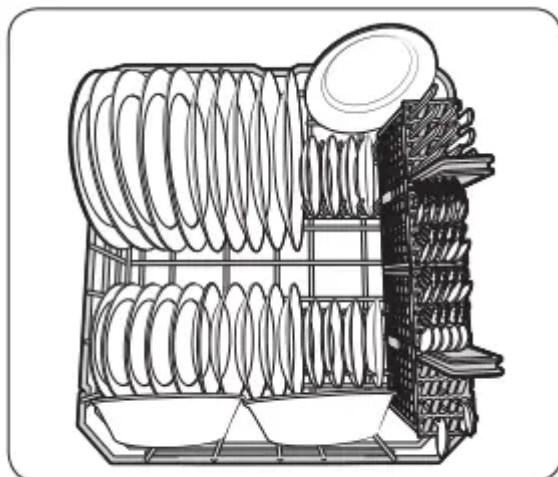
6. Reverse the order of removal to re-insert the 3rd rack.

 Make sure the hook-shaped part of the handle faces downward and the handle lock (circled) re-engages when reinserting the handle into the rail.

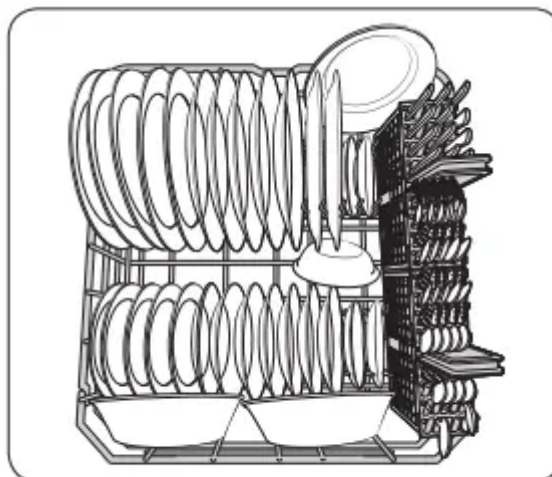
## Loading dishes

### Loading the lower rack

The lower rack has been especially designed for dinner dishes, soup bowls, plates, pots, lids, casserole dishes, and plates. Load large items such as pans and pots into the dishwasher so their open sides face downwards. We recommend loading cups, stemware, and small plates into the upper rack. See the recommended loading patterns below.

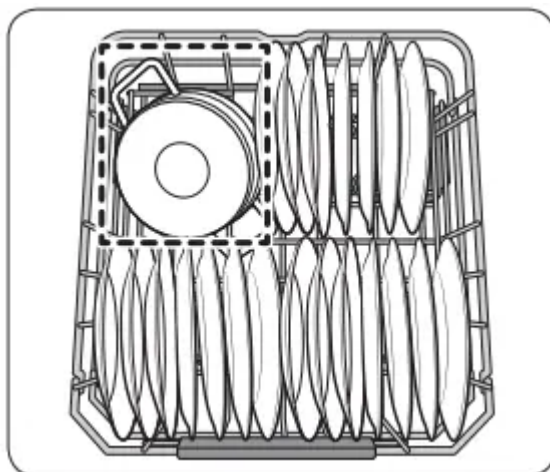


10 place setting



12 place setting

### Loading the Storm Wash Area

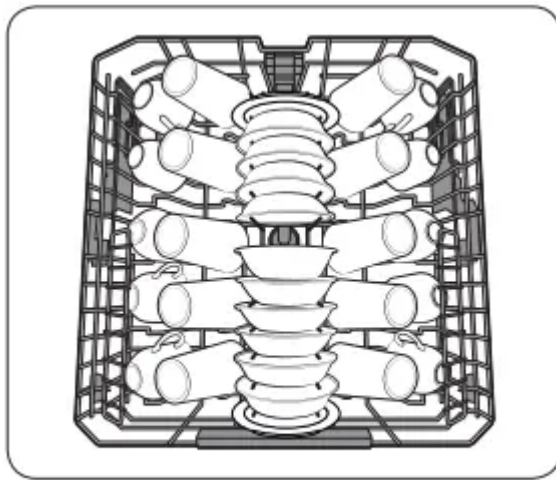


For more effective cleaning, load large items into the Storm Wash area on the left side of the lower rack (Red zone). When you select Storm Wash, the dishwasher supplies additional power to reinforce the water jet in the Storm Wash area. Make sure pot handles and other items do not interfere with the rotation of the nozzles.

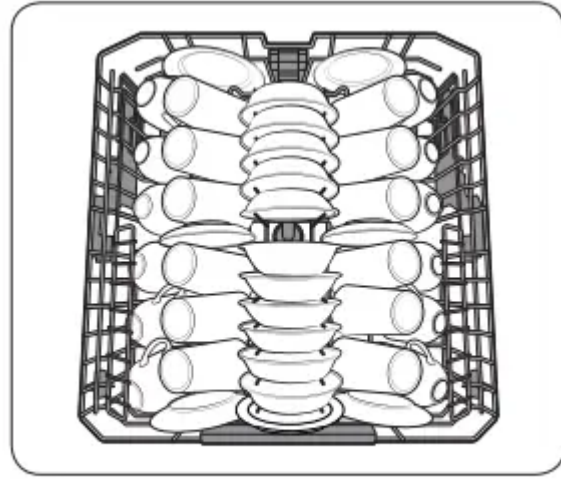
### Loading the upper rack

The upper rack has been designed for small plates, mugs, glasses, and plastic items marked “dishwasher safe”. Load your plates into the dishwasher in two half rows, so that the front of each plate faces the back of the plate in front of it, and the open sides of the plates at the center of the

dishwasher face each other. See the illustrations below. Make sure the loaded dishes do not interfere with the rotation of the nozzle which is located at the bottom of the upper rack. (Check this by rotating the nozzle by hand.) When loading dishes, pull the upper rack out sufficiently so you can load it without striking the counter above.

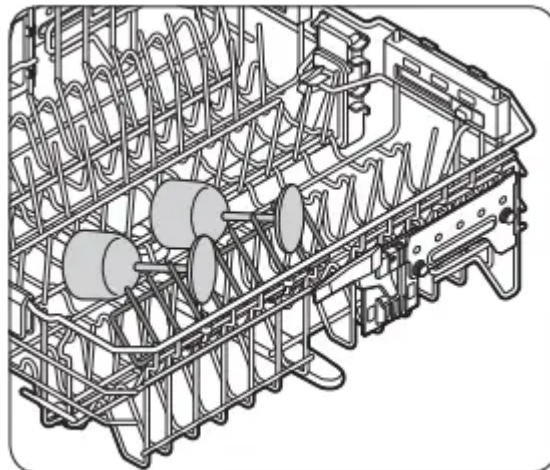


10 place setting



12 place setting

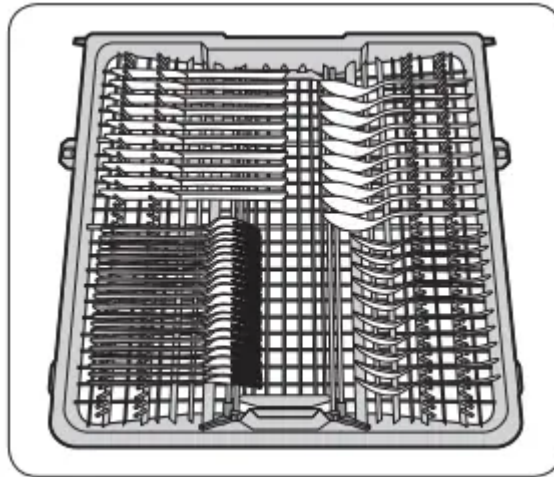
#### Using the glass support



The glass support is especially suited for wine glasses. Hang wine glasses onto the pegs of the glass support. Fold the glass support back when it is not being used.

**⚠ CAUTION** Do not adjust the level of the upper rack with the glass support propped up. This will make it impossible to adjust the upper rack.

#### **Loading the 3rd Rack™**

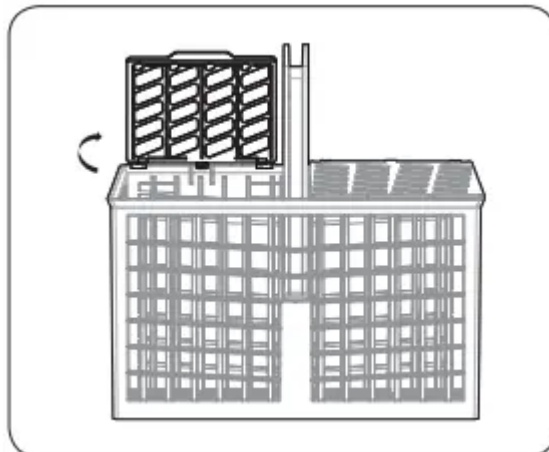


The cutlery rack is best suited for flatware and cooking or serving utensils. You can place cutlery and utensils randomly or regularly on the cutlery rack.

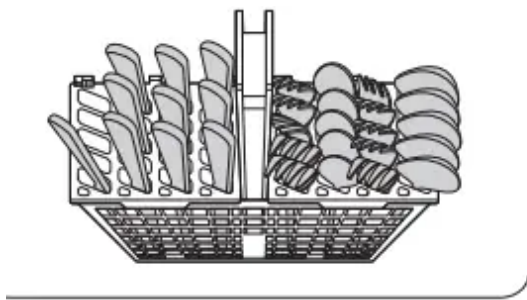
#### Removing the Cutlery Rack

The entire cutlery rack can be removed if more space is needed on the upper rack for larger items. (See the “To remove the 3rd Rack” section on page 16.)

#### **Loading the Cutlery rack**



The cutlery rack consists of two compartments. You can place each knife, spoon, or fork separately into the spoon stands in the basket's covers to prevent chipping and discoloration. See the illustrations below. You can use the cutlery rack with the cover open. Refer to the illustration on the left.

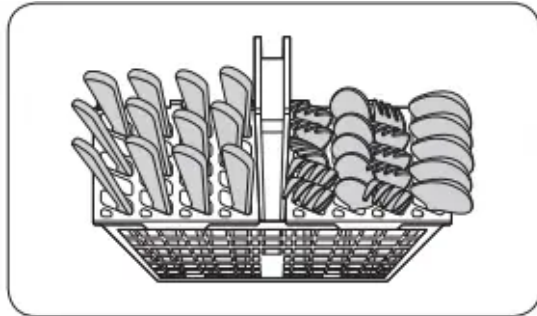


Left

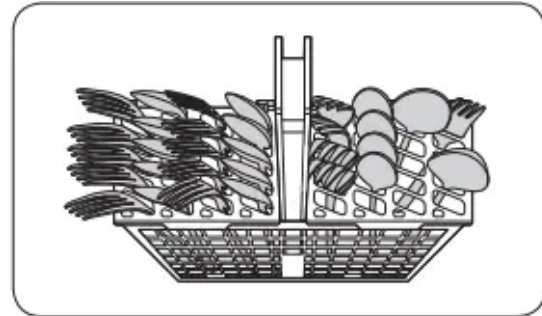


Right

10 place setting



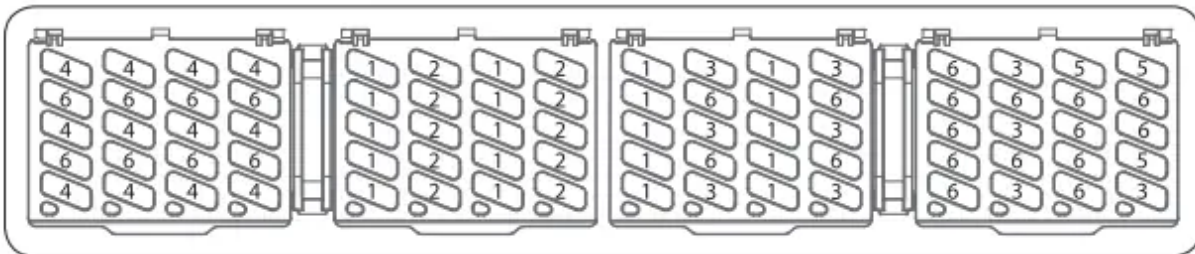
Left



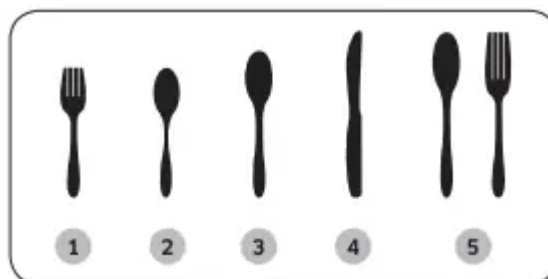
Right

12 place setting

The spoon stands as seen from above with the suggested placement of cutlery items. Match the numbers in the diagram to the numbers in the list of cutlery items below.



**NOTE** DO NOT let any item extend through the bottom.



1. Forks
2. Tea spoons
3. Dinner spoons

4. Knives
5. Serving spoons and Serving forks
6. Remaining items

## Detergent guidelines

All dishwasher cycles require detergent in the detergent compartment. Apply detergent as appropriate for the selected cycle to ensure best performance.

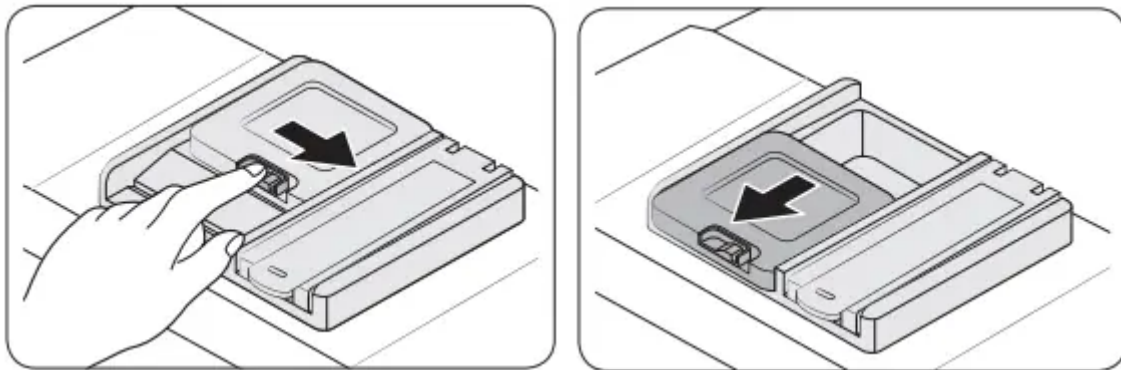
### **WARNING**

- Do not consume dishwasher detergent. Avoid breathing in detergent fumes. Dishwasher detergent contains irritants and caustic chemicals that can induce respiratory conditions. If you have consumed dishwasher detergent or inhaled detergent fumes, seek medical attention immediately.
- Keep dishwasher detergent out of children's reach.

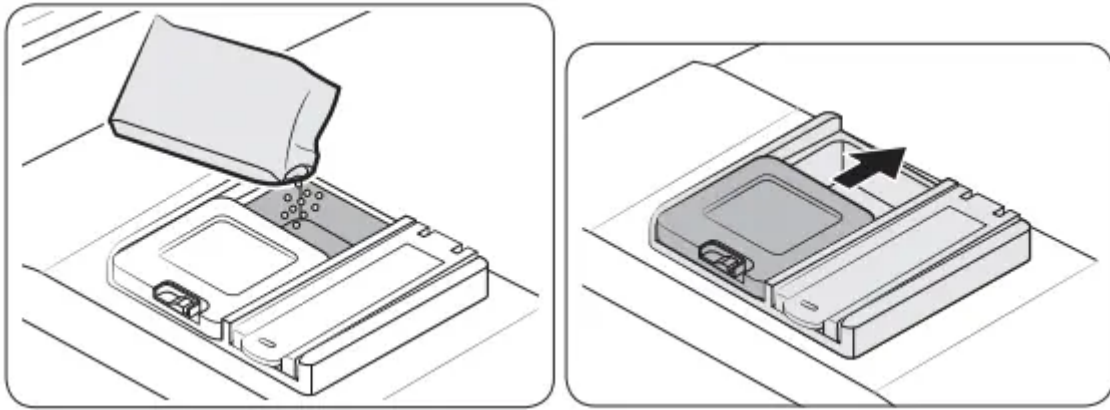
### **CAUTION**

Use dishwasher detergent only. Other types of detergent produce excessive foam, which may decrease the dishwasher's performance or cause it to malfunction.

### To fill the detergent dispenser

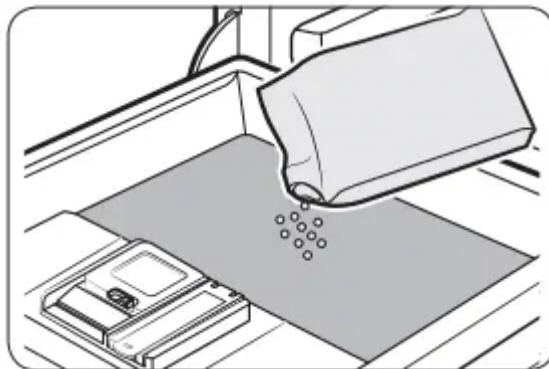


1. Gently press the dispenser flap to unlock, and then slide it open. Note that the dispenser flap opens at the end of each cycle.



2. Apply the recommended amount of detergent to the main compartment.
3. Close the flap, and then press down to lock.

**NOTE** This dishwasher has no separate compartment for tablet detergent.



4. For better performance, pour a small amount of detergent onto the door to clean heavily soiled items more effectively. The additional detergent will activate during the pre-wash process.

The cover opens automatically to dispense the detergent during the wash

CYCLE	AMOUNT OF DETERGENT	
	Main wash dispenser	Onto the door for pre-wash
Auto, Normal	3/4 oz (20 g)	1/3 oz (10 g)
Heavy, Express 60	1 oz (30 g)	1/2 oz (15 g)
Delicate	3/4 oz (20 g)	1/5 oz (5 g)

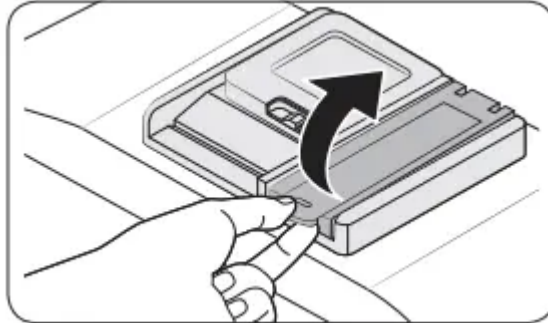
**NOTE** The numbers inside the dispenser refer to grams.

### Rinse aid

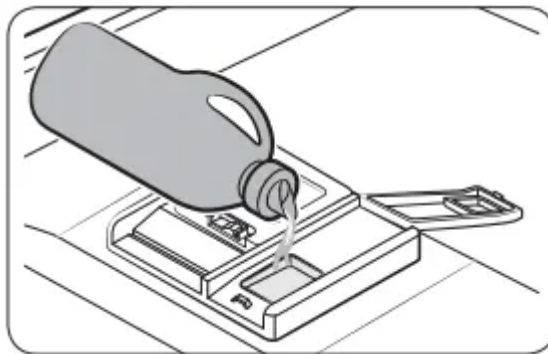
Rinse aid improves the drying performance of the dishwasher. When the Rinse Refill indicator lights up on the control panel, refill with rinse aid. Only use liquid rinse aid. Powdered rinse aid will clog the compartment opening and cause the dishwasher to malfunction.

 **CAUTION**

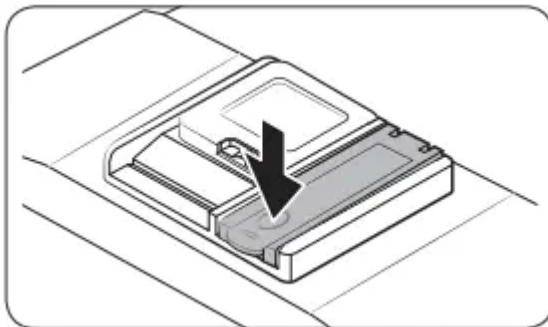
- Do not apply any type of detergent to the rinse aid compartment.
- Do not over fill the compartment. Excessive rinse aid may overflow during a cycle.




1. Pull up the cap of the rinse compartment to open.



2. Fill the compartment with rinse aid as specified by the rinse aid manufacturer.

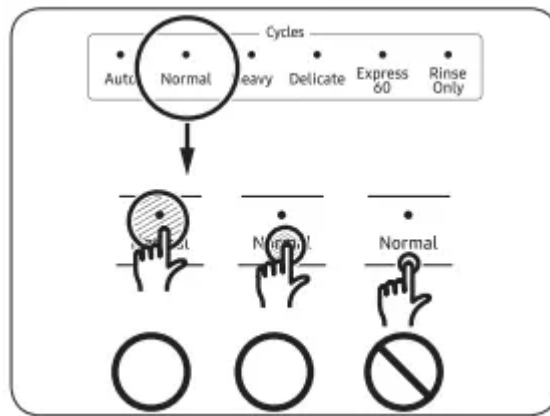


 **NOTE** For more information on setting the rinse aid amount, see page 32.

3. Press down the circle area of the cap to close.


## Touchpad responsiveness

To prevent the touch-enabled controls from losing responsiveness, follow these instructions.

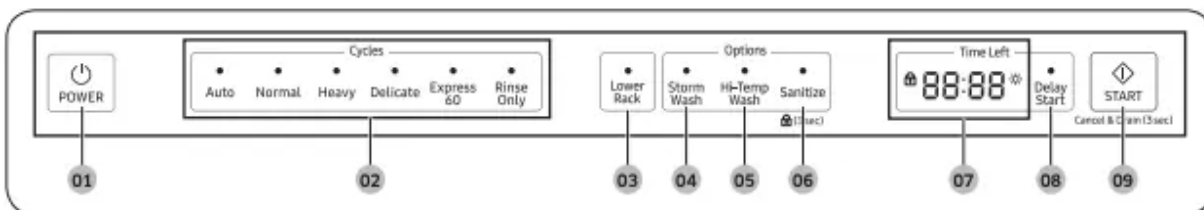


- Touch the center of each button with one finger.
- Do not touch more than one button at a time, except as directed.
- Clean the surface of the control panel regularly with a soft, damp cloth.

## Operations

 **WARNING** To reduce the risk of fire, electric shock, or injury to persons, read the IMPORTANT SAFETY INSTRUCTIONS before operating this appliance.

### Control panel



#### 01 POWER

When you press the POWER button, the Cycle On light for the most recently started cycle turns on. When the selected cycle is complete, the dishwasher powers off automatically.

#### 02 Cycle

Selector Select the appropriate wash cycle depending on the soil level of your dishes. After you select a cycle, the Cycle On light for that cycle lights. If you want to change the cycle once it has started, press the POWER button. Then, turn on the dishwasher again and select a new cycle.

#### 03 Lower Rack

If selected, only the lower rack nozzle is activated to reduce both the cycle time and power consumption. Use this cycle to wash a small load of dishes or glasses in the lower rack. To wash heavily soiled items, select the Storm Wash option.

#### 04 Storm Wash

Use this option when you want to wash pots and pans, durable serving bowls, and other large, very dirty, hard to clean dishes. To use Storm Wash, place the dishes face down in the marked Storm Wash area in the lower basket.

### **05 Hi-Temp Wash**

Raises the main wash temperature to improve cleaning for loads containing tough, baked-on food.

### **06 Sanitize / (Control Lock)**

With the Sanitize option selected, the water temperature is increased to 163 °F (73 °C) in the final rinse cycle for high temperature sanitization. If you select the Sanitize option, the "Sanitize" lamp blinks when the water temperature reaches the sanitary temperature (over 155 °F (68 °C)), and then remains illuminated until the Sanitize option ends. When you open the door or press the POWER button, the "Sanitize" lamp turns off.

#### **NOTE**

The Normal cycle with the Sanitize option selected is NSF Certified and operates in accordance with NSF/ANSI Standard 184 for Residential Dishwashers. Certified residential dishwashers are not intended for licensed food establishments. Your dishwasher is NSF Certified.

Control Lock allows you to lock the buttons on the control panel so children cannot accidentally start the dishwasher by pressing the buttons on the panel. To lock and unlock the buttons on the control panel, hold the Sanitize button down for three (3) seconds when the power is On.

### **07 Display**

Displays information about the current cycle including the cycle time, remaining time, Delay Start settings, and other cycle-specific information. If a problem occurs during operation, an information code appears with a warning sound. Refer to the information codes on page 47.

### **08 Delay Start**

Delay a cycle for up to 24 hours in one-hour increments. To increase the delay start time, press or hold the Delay Start button. The hour displayed indicates the time at which the wash will start.

- After setting the delay time, press the START button, and then close the door to start the cycle.
- To change the delay time after the dishwasher has started, first turn the dishwasher off and turn it back on. Then, select a new cycle and change the delay time settings.


### **09 START**


To start a cycle, press the START button before closing the door.

Cancel & Drain: To cancel a currently running cycle and drain the dishwasher, press and hold the START button for three (3) seconds. Once the dishwasher is reset, select a cycle and option, and then press START to restart the dishwasher.

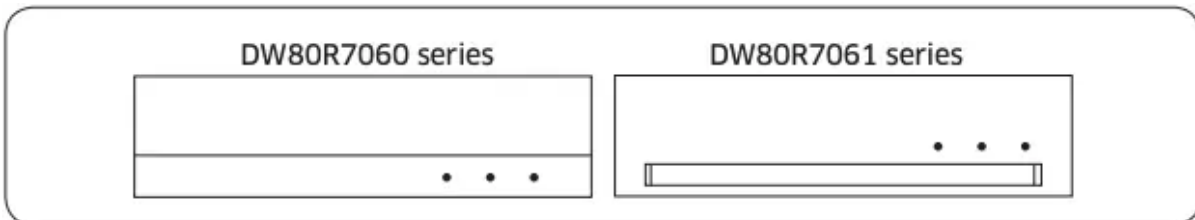
## Indicators





**Control Lock indicator**  Lights up if Control Lock is activated, and blinks if any button except for the POWER button is pressed.


**Rinse**  Refill indicator Lights up if the dishwasher runs out of rinse aid.


## Progress displays



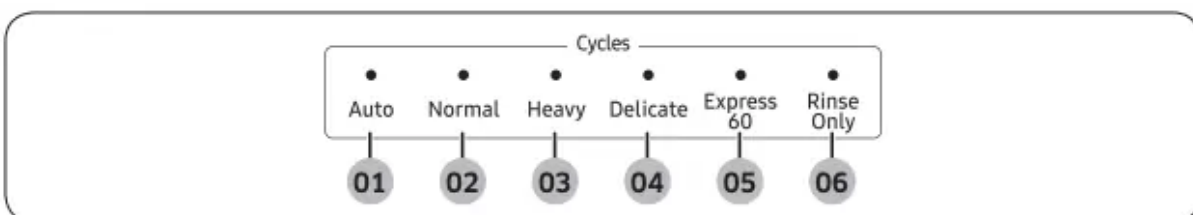
**Wash**  When the dishwasher is in a wash portion of a cycle, the first light is illuminated.

**Rinse**  . When the dishwasher is in a rinse portion of a cycle, the second light is illuminated.

**Dry**  When the dishwasher is in a drying portion of a cycle, the third light is illuminated.

**End**  After the dishwasher has completed all portions of a cycle, all lights are turned off.

## Cycle overview



**01 Auto** This cycle detects the level of soil and automatically initiates the optimal cycle after a few minutes of operation.

**02 Normal** Use this cycle for normally soiled dishes. The energy-usage label is based on this cycle.

**03 Heavy** Use this cycle for heavily soiled dishes.


**04 Delicate** Use this cycle for soiled, fragile items such as fine glassware and crystal glass (wine glass). Do not use this cycle for other glassware because clouding or etching may occur.

**05 Express 60** Use this cycle when you need to wash dishes quickly. It takes about 1 hour.

**06 Rinse Only** Use for rinsing dishes, glasses, and silverware that will not be washed right away. Do not use detergent.

## Simple steps to start your dishwasher

1. Open the door, and then load the dishwasher. Make sure dishes are empty.
2. If applicable, put the dishes in the lower rack. If adding the Storm Wash option, put the dishes in the left side of the lower rack.
3. Add detergent to the detergent dispenser. For better results, add rinse aid to the rinse aid compartment.

 **NOTE** You should use rinse aid for better drying performance. You can further improve drying performance by also selecting the Sanitize option.

4. Press POWER, and then select a cycle with necessary options (Lower Rack, Storm Wash, Hi-Temp Wash, Sanitize). If you change the cycle after selecting an option, the original cycle is reset.
5. Press START, and then close the door within 3 seconds. The dishwasher starts the cycle after draining for a few seconds.

### **NOTE**

- To change the cycle after it has started, press and hold START for 3 seconds to cancel the cycle. Then, select a new cycle.
- To resume after you have opened the door to stop the dishwasher while operating, simply press START first, and then close the door.

## Settings

You can change the sound, Auto Release™ Dry alert, Rinse aid amount, and Auto Release™ Dry settings to your preference. To change the settings, press the Sanitize and Delay Start buttons simultaneously for 3 seconds. Press Sanitize to navigate through the sub menus, and then press Delay Start to confirm your changes.

Sound U1/U0 > Auto Release™ Dry alert J1/J0 > Rinse aid amount F1~F6 > Auto Release™ Dry A1/A0

### Sound

Press Sanitize until 'U1' or 'U0' is displayed. To mute the dishwasher, select 'U0', and then press Delay Start. To unmute, select 'U1', and then press Delay Start.

### Auto Release™ Dry alert

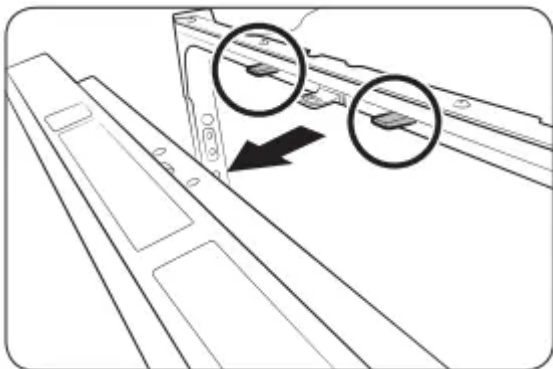
You can enable or disable the setting that alerts you when the door opens to start the Auto Release™ Dry function. Press Sanitize until 'J1' or 'J0' is displayed. To disable the Auto Release™ alert, select 'J0', and then press Delay Start. To enable, select 'J1', and then press Delay Start.

### Rinse aid amount

Press Sanitize until 'F1~F6' is displayed. The higher the number, the more rinse aid the dishwasher uses. To improve drying performance, select a higher number. If your dishes appear discolored after a wash, switch to a lower number. The factory default level is 'F4'.

### Auto Release™ Dry

The Auto Release™ Dry function, which is designed to improve drying performance, automatically opens the dishwasher's door 5 to 15 minutes before a cycle ends. You can enable or disable Auto Release™ Dry in two ways: Using the Setting Mode or using the toggle keys. Both methods are described starting below.



Press Sanitize until "A1" or "A0" is displayed. Then, press Delay Start to enable (A1) or disable (A0) Auto Release™ Dry.

#### Using the Toggle Keys :

Press the Lower + Hi-Temp Wash button for 3 seconds to enable (A1) or disable (A0) Auto Release™ Dry

#### NOTE

- Once the door opens on the Auto Release™ Dry mode, the door cannot be closed manually for the next 2 minutes.


- Disabling (A0) “Auto Release™ Dry” can affect the drying results. Enable (A1) “Auto Release™ Dry” for better drying result.
- After a cycle is complete, the door automatically opens to let steam out. This is normal and not a product malfunction.

## Special features

### Delay Start

You can delay the cycle starting time up to 24 hours in 1-hour increments. To increase the delay time, press Delay Start. The hour displayed indicates the time at which the cycle will start.


1. Open the door, and then load the dishwasher.
2. Press Delay Start, and then press or hold Delay Start to change the time in 1-hour increments.
3. Close the door, and then press START.

 **NOTE** To change the delay time once the dishwasher has started, press POWER and then restart the dishwasher.

### Touch Controls

Touch controls allow you to operate the dishwasher easily.

- They are convenient to operate, requiring only a soft touch.
- Have a simple and stylish design.
- Are easy to clean.

 **NOTE** If you have children or you want to clean the Control Interface, we recommend activating the Control Lock feature to lock the control buttons.

### Control Lock

To prevent children from playing with the dishwasher, Control Lock locks all button controls except for POWER.

- To activate Control Lock, press and hold Sanitize for 3 seconds. With Control Lock activated, you cannot select a cycle or option, or start an operation.
- To deactivate Control Lock, press and hold Sanitize again for 3 seconds.
- Control Lock remains active after the dishwasher restarts. To cancel Control Lock, you must deactivate it first.

# Maintenance

## Cleaning

Keep the dishwasher clean to improve performance, reduce unnecessary repairs, and lengthen its lifecycle.

### Exterior

Clean spills on the surface of the dishwasher as they occur. Use a soft, damp cloth on the control panel to gently wipe away spills and dust.

#### CAUTION

- Do not use benzene, wax, thinner, chlorine bleach, alcohol, or other chemical substances.
- These materials may discolour the surface of the dishwasher and cause stains.
- The dishwasher has electric parts inside. Do not sprinkle water directly onto the dishwasher. Protect electrical components from coming in contact with water.
- For a stainless-steel door panel, clean using a stainless steel cleaner for home appliances and a clean, soft cloth.

### Interior

Clean the interior of the dishwasher on a regular basis to remove any dirt or food particles. Wipe inside the dishwasher and inside the door with a wet dishcloth. To maintain optimum cleanliness, we recommend running the Self Clean cycle periodically with the dishwasher empty.

To keep the cutlery pad clean, turn it over after each use. To remove white spots and odors from the cutlery pad, run the Self Clean cycle with the dishwasher empty and no detergent until the cutlery pad flushes. Then, stop the cycle and put an 8-ounce cup of white vinegar into the lower basket. Close the door, and then resume the cycle.

Use a damp cloth to remove lime scale or grease deposits inside the dishwasher. Alternatively, apply some detergent, and then run an empty cycle using the highest rinse temperature.

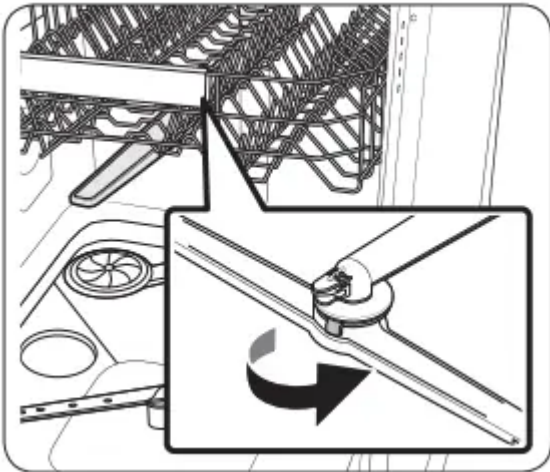
#### CAUTION

- Do not remove the front seal (the long rubber seal enclosing the opening of the dishwasher). The seal keeps the inner side of the dishwasher sealed.

## Nozzles

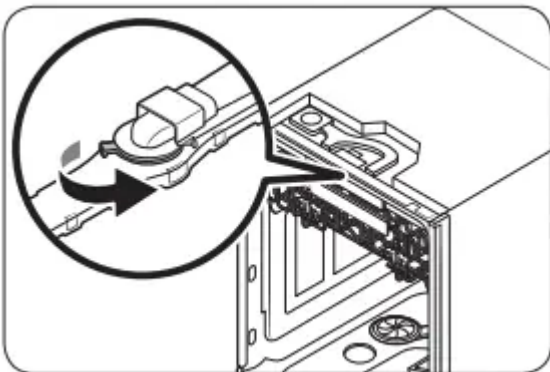
To prevent the nozzles from being clogged, or if the nozzles are clogged, remove and clean each nozzle. Use caution when removing the nozzles as they may break.

### Upper nozzle



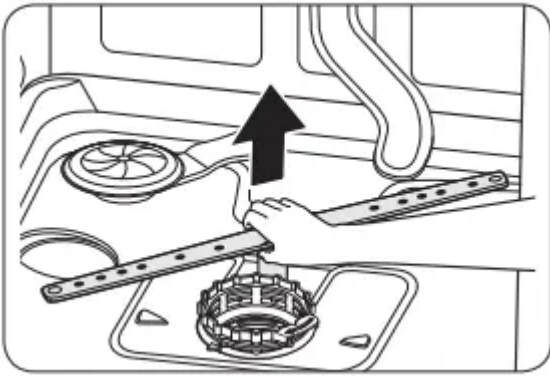
1. Open the door, and then pull out the upper rack to reveal the upper nozzle.
2. Turn counter clockwise to remove the nozzle cap, and then remove the nozzle.
3. Unclog and clean the nozzle.
4. Reinsert the nozzle, and then tighten the cap clockwise.
5. Rotate the nozzle by hand to make sure the nozzle is engaged correctly.

#### Top nozzle



1. Check whether the nozzle holes are clogged by food particles.
2. If cleaning is needed, remove the top nozzle.
3. To remove the top nozzle, pull out the upper rack first, unfasten the nozzle cap by turning it counterclockwise, and then remove the nozzle.
4. Clean the nozzle, re-insert it, and then fasten the nozzle cap to the nozzle by turning the cap clockwise.
5. Check whether the nozzle is engaged correctly by rotating it by hand.

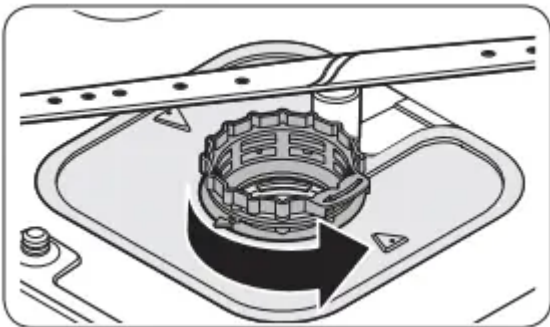
#### Lower nozzle



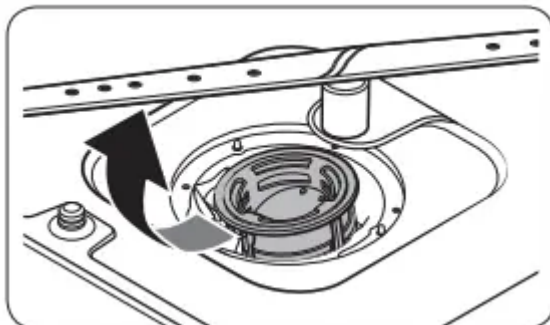
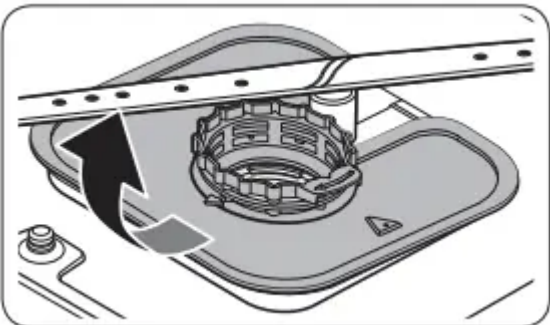
1. Open the door, and then pull out the lower rack to reveal the lower nozzle.
2. Pull up the nozzle to remove it.
3. Clean the nozzle.
4. Re-insert the nozzle, and then push the nozzle down until you hear a click.
5. Rotate the nozzle by hand to make sure the nozzle is engaged correctly.

### Filter

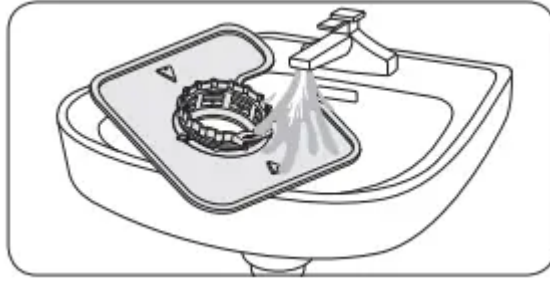
We recommend cleaning the filter every month.



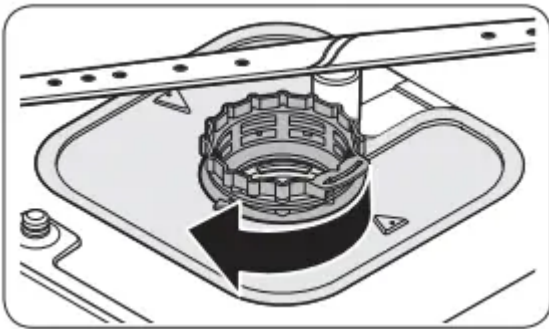
1. Open the door, and then remove the lower rack.
2. Turn the filter handle counterclockwise to unlock the filter cover.




3. Remove the filter cover, and then the cylindrical micro filter underneath.



4. Remove any dirt and impurities from the micro filter and the filter cover.
5. Rinse them with running water, and then dry well.



6. Reinsert the filter, and then the filter cover.
7. Turn the filter handle clockwise to lock.

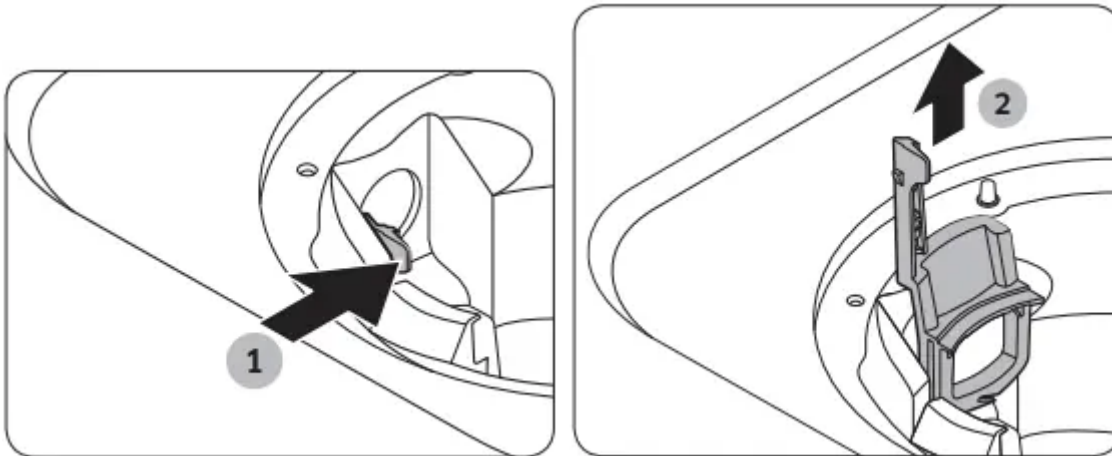
 **CAUTION** Make sure the filter cover is closed properly. A loose cover can reduce the filtering performance.

### Long-term care

If you will not use the dishwasher for an extended period of time, first drain the unit completely, and then disconnect the water hose. Shut off the water supply valve and the circuit breaker. Water remaining in the hoses or the internal components can damage the dishwasher.

### Cleaning the drain pump

If the dishwasher fails to drain because the drain pump is clogged with foreign matter or there is an abnormal noise coming from the drain pump, you must unclog and clean the drain pump as instructed below.



1. Remove the lower rack.
2. See the "Filter" section to remove the cylindrical micro filter.
3. Remove any moisture from the filter using a sponge.
4. Remove the drain-pump cover by pushing its handle in the direction of the arrow (1), and then pulling up (2).
5. Check the impeller to see if it's in good condition. Then, remove any foreign matter from the pump.
6. Reinsert the drain-pump cover and then press down until you hear a click.

### Storing your dishwasher

If you need to store your dishwasher for an extended period of time, first drain and disconnect it. If you leave water in the hoses and internal components, you can damage the dishwasher. After draining and disconnecting the dishwasher, be sure to turn off the water supply valve and circuit breaker.

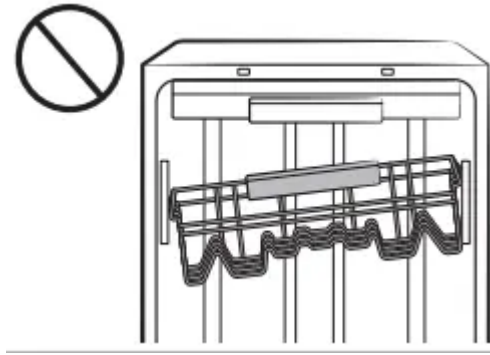
## Troubleshooting

### Check these solutions if your dishwasher...

#### Will not start.

The door is not closed completely

- Check if the door is latched and closed completely. Check whether the Upper Rack is properly joined to the Duct Nozzle.
- Also, check if the Upper Rack is crooked or unbalanced.



The START button was not pressed.

- See the information code that appears on the display.

Doesn't operate at all.

- Make sure the power cable is connected properly.

The water supply does not work.

- Check if the water supply valve is open.
- Check if the supplied water pressure is between 20 and 120 psi (between 140 and 830 kPa).

The Control Panel is locked.

- Unlock the Control Lock, (See page 28.)

A circuit breaker is open.

- Reset the circuit breaker

**An operation or cycle is taking too long.**

The dishwasher is connected to a cold water supply.

- Check if the water supply line is connected to a cold water supply. To work properly, the dishwasher must be connected to a hot water supply. (If connected to a cold water supply, additional time is required to heat the cold water.)

**There are food particles remaining on dishes. (Not cleaning properly.)**

The cycle selected was unsuitable.

- Select a cycle according to the number and soil level of the dishes, as directed in this manual.

The water temperature is low.

- Connect the water supply line to a hot water supply. For best performance, the temperature of the supplied water should be 120 °F (49 °C).

Low water pressure.

- The water pressure should be between 20 and 120 psi (140- 830 kPa).

The water is too hard.

- Use a commercial dishwasher cleaner.
- Use high-quality, fresh detergent with rinse aid.

Dishwasher detergent was not used.

- Use automatic dishwasher detergent.
- We recommend a powder type or multi-function tablet dishwasher detergent.

Detergent remains in the dispenser.

- Make sure large items such as cookie sheets, cutting boards, or containers, etc. are not blocking the detergent dispenser and preventing it from opening properly.
- Rearrange the dishes so they do not interfere with detergent dispenser operation.

There is no rinse aid.

- Check the dispenser and add rinse aid.
- Use liquid type rinse aid.

A nozzle is clogged.

- Clean the nozzle. See page 36.

The dishes are improperly loaded. Too many dishes have been loaded.

- Rearrange the dishes so they do not interfere with nozzle rotation and detergent dispenser operation.
- Load only an appropriate number of dishes.
- Load your dishes as recommended. (See page 17.)
- Load the heavily soiled items into the Storm Wash area. (See page 18)

The filters are clogged or not correctly fastened. (Food soils remain on the filter.)

- Scrape food from dishes prior to loading. (Do not pre-rinse.)
- Clean the filter. (See page 37.)
- Make sure the filters are correctly fastened.

Less water than required is supplied.

- Check if the supplied water pressure is between 20 and 120 psi (between 140 and 830 kPa).

**Leaves glasses with a light film.**

The water supplied is soft and too much detergent was used.



- Underload the dishwasher and use a rinse aid to minimize this.

Aluminum dishes were included in the wash load.

- Remove the marks on the dishes using a low sensitivity cleaner.

### **Leaves a yellow or brown film on the inside of the dishwasher.**

This is caused by coffee and tea soils.

- Remove the soils using a spot cleaner.
- Use a cycle with a higher temperature.

### **Does not dry dishes well.**

There is no rinse aid in the dispenser or not enough rinse aid was used.

- Check the dispenser and add rinse aid.
- Use a liquid type rinse aid.
- Check the rinse aid settings.

The temperature of the water is low when the dishwasher is running.

- Connect the water supply line to a hot water supply.
- Use rinse aid with the Sanitize option.

Too many dishes have been loaded.

- Proper loading of items can affect drying.
- Load your dishes as recommended. (See page 17.)

Glasses and cups with concave bottoms hold water. This water may spill onto other items when you unload.

- After finishing the cycle, empty the lower rack first and then the upper rack. This will prevent water dripping from the upper rack onto the dishes in the lower rack.

Auto Release™ Dry is turned off.

- Turn Auto Release™ Dry on. Press the Lower + Hi-Temp Wash button for 3 seconds to access the Auto Release™ Dry menu. Select "A1" to activate Auto Release™ Dry.

Multiple detergent tablets were used without selecting the Sanitize option.

- Select the Sanitize option or use rinse aid.

### **Has a bad odor.**

Water was left over from an incomplete cycle.

- Clean the dishwasher by running then Heavy cycle with the dishwasher empty and no detergent.

The Drain Hose is obstructed.

- Contact a qualified service technician to remove any obstruction from the drain hose.

The dishwasher is not used daily or soiled dishes are left in unit too long.

- With the dishwasher empty and no detergent, place a glass with 8 ounces of vinegar upright into the lower rack, and then run a Heavy cycle.

**Is too noisy.**

Sound is generated when the dispenser cover is open and the drain pump is operating in an early stage.

- This is normal operation.

The dishwasher is not level.

- Ensure the dishwasher is level.

Foreign material (a screw, a plastic piece) is in the pump chamber.

- Contact a qualified service technician to remove foreign material from the pump chamber.

There is a 'chopping' sound because a nozzle is bumping against the dishes.

- Rearrange the dishes.

Less water than required is supplied.

- Check if the supplied water pressure is between 20 and 120 psi (between and 830 kPa).

**Does not have a smoothly rotating nozzle.**

Nozzle holes are clogged with food particles. •\

- Clean the nozzle holes. (See page 36.)

The nozzle is blocked by a dish or pot and cannot rotate.

- After placing the dishes into the racks, rotate the nozzles by hand to check whether any of the dishes interfere with them.

**Water won't pump out of the dishwasher.**

The drain is clogged.

- Clean the drain pump by removing the drain-pump cover. (See page 40.)

**Has a bent upper rack after dishes are loaded.**

The dishes are not loaded properly.

- Load your dishes as recommended. ( See page 17.)

**Cannot close the door.**

Auto Release™ Dry mode is in operation.

Once the door opens in the Auto Release™ Dry mode, the door cannot be closed manually for the next minutes. You may close the door after 2 minutes.

## **Information codes**

The Control Panel displays information codes to help you understand what is occurring with your dishwasher.

### **LC Leakage check.**

- If a water supply valve connection leak occurs, close the water supply valve and go to your house circuit breaker panel, set the dishwasher's circuit breaker switch to off, and then contact the installer to fix. If the problem continues, contact an authorized Samsung service center.

### **4C Water supply check.**

- Check if the water supply valve is closed or clogged, or is frozen. Also check if the supplied water pressure is less than required. If the problem continues, close the water supply valve, and then contact an authorized Samsung service center.

### **5C Drain check.**

- After closing the water supply valve, check whether the drain hose is clogged or folded. Also, check whether the drain hole inside the sump is clogged. If the problem continues, contact an authorized Samsung service center.

### **HC High temperature heating check.**

- Functional check. With the dishwasher empty, add detergent, and then run a cycle. If the problem continues, go to your house circuit breaker panel, set the dishwasher's circuit breaker switch to off, and then contact an authorized Samsung service center.

### **3C Pump operation check.**

- Functional check. Turn off the dishwasher and try to start it again. If the problem continues, contact an authorized Samsung service center.

### **PC Zone wash function check.**

- Functional check. Turn off the dishwasher and try to start it again. If the problem continues, contact an authorized Samsung service center.

For any codes not listed above, call 1-800-SAMSUNG (726-7864).

## Cycle chart

Cycle		Auto	Normal	Heavy
Cycle sequence		Prewash ▶ Mainwash ▶ Rinse ▶ Hot Rinse ▶ Dry ▶ End	Prewash ▶ Mainwash ▶ Rinse ▶ Hot Rinse ▶ Dry ▶ End	Prewash ▶ Mainwash ▶ Rinse ▶ Hot Rinse ▶ Dry ▶ End
Temp [°F (°C)]	Main wash	122-140 (50-60)	113-144 (45-62)	149 (65)
	Hot Rinse *Sanitize 163 °F (73 °C)	145-154 (63-68)	129-149 (54-65)	154 (68)
Water consumption [gal (ℓ)]		4.0-5.3 (15.2- 20.2)	2.6-5.3 (9.8-20.0)	5.4 (20.5)
Cycle time (min)		109-143	117-145	155
Available Options	Lower Rack	0	0	0
	Storm Wash	0	0	0
	Hi-Temp Wash	0	0	0
	Sanitize	0	0	0
	Delay Start	0	0	0

Cycle		Delicate	Express 60	Rinse Only
Cycle sequence		Prewash ▶ Mainwash ▶ Rinse ▶ Hot Rinse ▶ Dry ▶ End	Mainwash ▶ Rinse ▶ Hot Rinse ▶ Dry ▶ End	Rinse ▶ End
Temp [°F (°C)]	Main wash	122 (50)	126 (52)	-
	Hot Rinse *Sanitize 163 °F (73 °C)	149 (65)	140 (60)	104 (40)
Water consumption [gal (ℓ)]		4.3 (16.4)	2.9 (10.8)	1.1 (4.1)
Cycle time (min)		112	60	14
Available Options	Lower Rack	0	0	0
	Storm Wash	X	0	X
	Hi-Temp Wash	X	0	X
	Sanitize	X	0	X
	Delay Start	0	0	0

- When you select the Auto or Normal cycle, running the Prewash and Rinse cycles depends on the soil level of the load.
- The water consumption and wash time varies depending on the steps or options you add, and on the pressure and temperature of the supplied water.
- When the Rinse Aid is empty, wash time and Last Rinse temperature can increase a little.

### **Warning**

This content is compiled from multiple sources and is provided for reference purposes only. It may not be complete or fully applicable to all situations. If you are unable to resolve your issue, please contact the product manufacturer or an authorized service provider for official support.