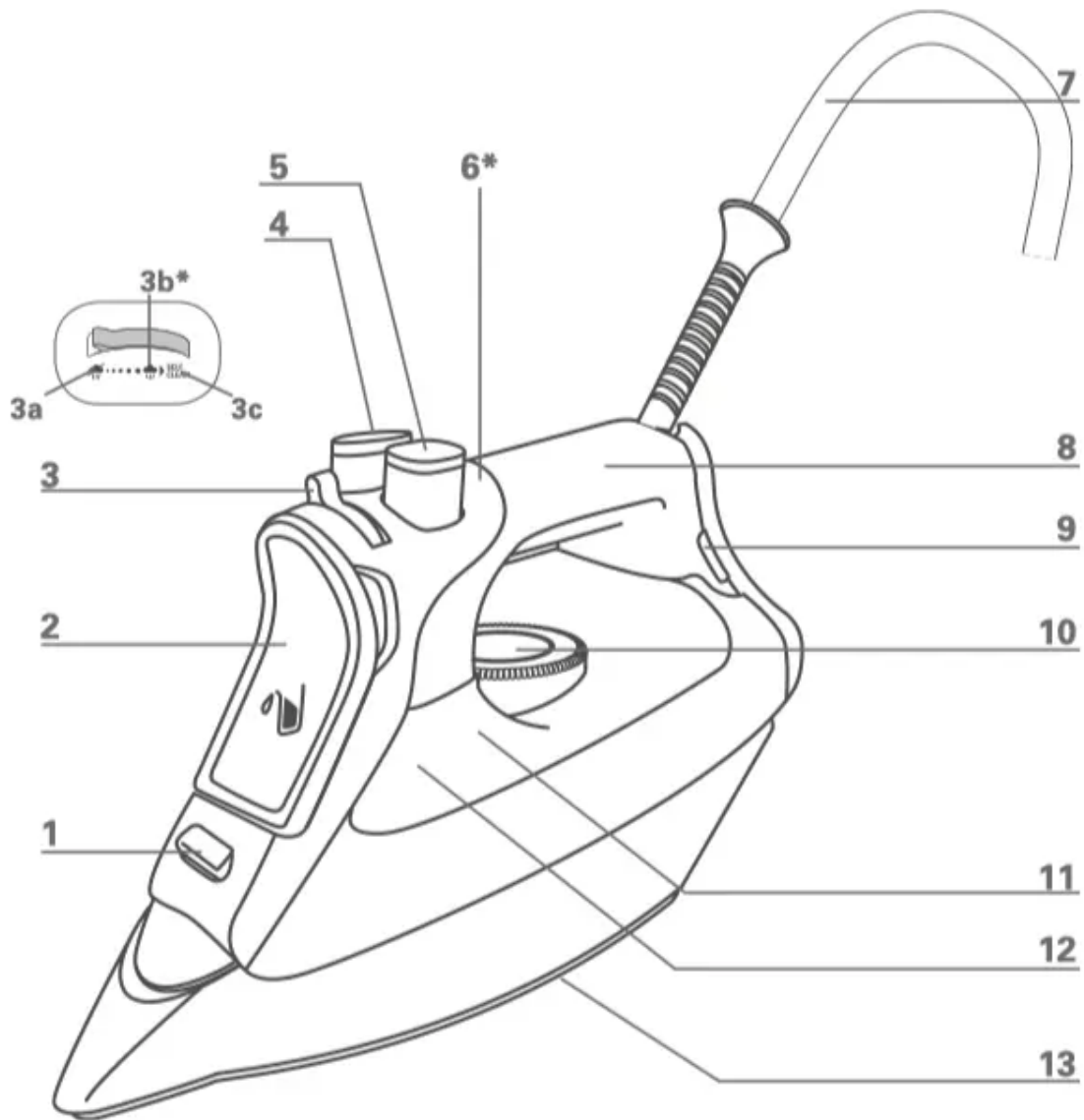



## DESCRIPTION



1. Spray nozzle
2. Filling inlet
3. Variable steam control
  - a Dry ironing 🌀
  - b Steam max. position 🌀
  - c Self Clean
4. Spray button 🌀

5. Burst of steam button 
6. Auto-off indicator light\*
7. Cord
8. Handle
9. Thermostat control light
10. Temperature control dial
11. Water tank
12. Maximum water level indicator
13. Soleplate

## IMPORTANT SAFETY INSTRUCTIONS

When using an iron, basic precautions should always be followed, including the following:

### **Read all instructions before using**

1. Only use an iron for its intended use.
2. To avoid the risk of electric shock, do not immerse the iron in water or other liquids.
3. Always turn the iron OFF before plugging or unplugging the iron from the electrical outlet. Never pull on the cord to disconnect the iron from the electrical outlet; instead, grasp the plug and pull on the plug to disconnect the iron.
4. Do not let the cord touch hot surfaces. Let the iron cool completely before putting the iron away. Coil the cord loosely around the iron when storing.
5. Always disconnect the iron from the electrical outlet before filling the iron with water, emptying the water from the iron, and when the iron is not in use.
6. Do not operate the iron with a damaged cord or in the event the iron has been dropped or damaged. To avoid the risk of electric shock, do not disassemble the iron. Take it to a qualified serviceman for examination and repair. Incorrect assembly might result in a risk of electric shock when the iron is used after reassembly.
7. Close supervision is required for any appliance used by or near children. Do not leave the iron unattended while the iron is connected or on an ironing board.
8. Burns can occur from touching hot metal parts, hot water, or steam. Use caution when you turn a STEAM IRON upside down there might be hot water in the reservoir.
9. In the event the malfunction indicator goes on, the iron is not operating properly. Disconnect the iron from the electrical outlet and have the iron serviced by qualified service personnel.

10. To avoid a circuit overload, do not operate an iron on the same circuit with another high wattage appliance.
11. If an extension cord is absolutely necessary, a cord with an ampere rating equal to or greater than the maximum rating of the iron shall be used. A cord rated for less amperage can result in a risk of fire or electric shock due to overheating. Care shall be taken to arrange the cord so that it cannot be pulled or be tripped over.
12. This appliance is not intended for use by children and other persons whose physical, sensory, or mental capabilities or lack of experience and knowledge prevents them from using the appliance safely without supervision or instruction by a responsible person to ensure that they can use the appliance safely.
13. Children should be supervised by the responsible person to ensure that they do not play with the appliance.
14. The iron must be used and rested on a stable surface;
15. When placing the iron on its stand, ensure that the surface on which the stand is placed is stable;
16. The iron is not to be used if it has been dropped, if there are visible signs of damage or if it is leaking.

## **SPECIAL INSTRUCTIONS**

17. The iron must not be left unattended while it is connected to supply mains.
18. Always disconnect the iron from the electrical outlet, before you leave the room.

### **SAVE THESE INSTRUCTIONS**

#### **Environment protection first !**

Your appliance contains valuable materials which can be recovered or recycled.

Leave it at a local civic waste collection point.

## **BEFORE USE**



**Warning !** Remove any labels from the soleplate before heating up the iron.

**Warning !** Before using your iron with the steam function for the first time, we recommend that you operate it in a horizontal position for a few moments, away from your linen, i.e. press the burst of

steam button a few times. During the first few uses, a harmless odor and a small amount of smoke may be given off. This has no effect on the use of the iron and will disappear quickly.

### 1 • What water may be used ?

Your iron has been designed to operate using untreated tap water. If in doubt, check with your local water authority. However, if your water is very hard, you can mix 50% untreated tap water with 50% distilled or demineralised water.

**IMPORTANT** Heat concentrates the elements contained in water during evaporation. The types of water listed below contain organic waste or mineral elements that can cause spitting, brown staining or premature wear of the appliance : water from clothes dryers, scented or softened water, water from refrigerators, batteries or air conditioners, pure distilled or demineralised water or rain water should not be used in your iron. Also do not use boiled, filtered or bottled water.

**IRONING BOARD:** Due to the powerful steam output, a mesh type ironing board must be used to allow any excess steam to escape and to avoid steam venting sideways.

## USE

### 2 • Filling the water tank



**IMPORTANT** Before filling the water tank, unplug the iron and set the steam control to dry position .

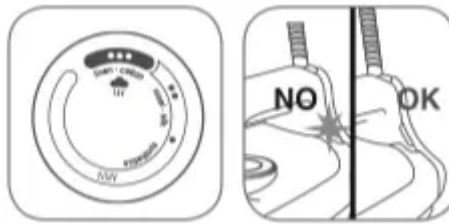
Tilt the iron. Open the filling inlet. Pour in water up to the max mark. Close the filling inlet and return the iron to the horizontal.

### 3 • Setting the temperature

Set the iron temperature to suit the type of material using the temperature control dial.

Temperature control\*: The temperature control light indicates that the soleplate is heating up.

When the temperature control light goes off , the set temperature is reached and you can begin ironing.



Ironing label	Fabric	Temperature control
	Synthetic fibres, e.g. viscose, polyester...	●
	Silk, wool	● ●
	Cotton, linen	● ● ●

**IMPORTANT** The iron takes longer to cool down than to heat up. We recommend that you start with fabrics to be ironed at a low temperature. For mixed fabrics set the temperature for the most delicate fabric.

**TIP** Always spray starch onto the reverse side of the fabric to be ironed.

#### 4 • Dry ironing



Set the variable steam control to and set the temperature to suit the type of material (care points ●, ●●, ●●●).

#### 5 • Steam ironing




You can steam iron from temperature setting ●● upwards.

Steam function\* : The steam level can be set from between ● (minimum steam quantity) and (maximum steam quantity). We recommend setting to maximum steam quantity only when the iron is at temperature setting ●●●.

## 6 • Burst of steam (from temperature setting •• upwards)




Press the burst of steam button  to generate a powerful jet of steam. Wait a few seconds between each shot before pressing the button again.

## 7 • Vertical shot of steam (from temperature setting •• upwards)




**TIP** Hold the iron 4 to 8 inches away from the garment to avoid burning delicate fabrics.

Hold the iron in the vertical position and press the burst of steam button  to remove creases from suits, jackets, skirts, hanging curtains etc.

**IMPORTANT** Never direct the steam at persons or animals!

## 8 • Spray



Press the spray button  to dampen stubborn creases.

## 9 • Anti-Drip system

This prevents water escaping from the soleplate when the temperature is too low.

## 10 • Automatic electronic 3-position auto-off\*

If, although switched on, the appliance is not moved, it will automatically switch off and the auto off light will blink after the following intervals:

- After 30 sec., if the iron is left resting on the soleplate or lying on its side.
- After 8 mins., if the iron is left resting on its heel. To switch the iron back on, move the iron gently.

\* depending on model

## AFTER USE

### 11 • Emptying



Unplug the iron, pour away remaining water and set steam control to . Open and close the steam control several times to prevent the valve hole into the steam chamber from scaling or blocking up.

### 12 • Storing



Allow the appliance to cool down before storing the iron standing on its heel .

**IMPORTANT** Do not wind the cord around the hot soleplate. Never store your iron placed down on the soleplate.

## MAINTENANCE AND CLEANING

**IMPORTANT** Unplug and allow the iron to fully cool down before maintenance and cleaning.

### 13 • Anti-scale system

Your iron contains an anti-scale cartridge to reduce scale deposits. This considerably prolongs the operational life of your iron. The anti-scale cartridge is an integral part of the water tank and does not need to be replaced.

## 14 • Self Clean function (prolongs the life of the iron)

The Self Clean function flushes dirt and scale particles out of the steam chamber.

**IMPORTANT** Do not use descaling agents, as these damage the lining of the steam chamber and so may impair the steam function.



Fill the water tank with untreated tap water up to the max mark and heat the iron to the ●● temperature. Unplug the iron and hold it over a sink horizontally. Hold the steam control into the Self Clean position : steam will now begin to build up. After a few seconds water will emerge from the soleplate, rinsing dirt and scale particles out of the steam chamber.

Move the steam control to  position after approx. 1 minute.

Plug in the iron and allow the iron to heat up again. Wait until the remaining water has evaporated. Unplug from the power outlet and allow the iron to fully cool down.

When cool, the soleplate can be wiped with a damp cloth.

**TIP** Use the Self Clean function approx. every 2 weeks. If the water is very hard, clean the iron weekly.

## 15 • Cleaning the iron

When the appliance has cooled down, wipe it down with a damp cloth or sponge, as required. Remove the dirt from the soleplate with a damp cloth or sponge.

**IMPORTANT** Do not use sharp or abrasive cleaning agents or objects to clean soleplate and other parts of the iron. If the appliance has been standing unused for long periods, use the Self Clean function (see § 14).

# PROBLEMS?



<b>Problems</b>	<b>Cause</b>	<b>Solution</b>
<b>The iron is plugged in, but the soleplate of the iron remains cold.</b>	No power from the outlet.	Check that the power plug is properly inserted or try plugging the iron into a different outlet.
	Temperature control set too low.	Set the temperature control to a higher temperature.
	The automatic electronic auto-off* is active.	Move your iron.
<b>None or too little steam is being emitted.</b>	Steam control set on dry position	Turn the steam control to the required setting area.
	Not enough water in the water tank.	Fill the water tank.
	Anti-Drip is active (§ 9).	Wait for the soleplate to reach the correct temperature.
<b>Brown streaks come through the holes in the soleplate and stain the linen.</b>	Residues in the steam chamber or on the soleplate.	Use the Self Clean function then clean your iron.
	Use of chemical descaling agents.	Do not add any descaling agents to the water in the water tank. Use the Self Clean function and clean your iron.
	Fabric fibers have accumulated in the holes of the soleplate and are burning.	Clean the soleplate with a non-metallic sponge. Vacuum the holes of the soleplate from time to time.
	Your linen is not rinsed sufficiently or you have	Ensure linen is rinsed thoroughly to remove any soap deposits or

	ironed a new garment before washing it.	chemicals on new garments which may be absorbed by the iron.
	Use of starch.	Always spray starch onto the reverse side of the fabric to be ironed and clean your iron soleplate.
	Pure distilled / demineralized or soft-ened water is being used.	Only use untreated tap water or mix half tap water with half distilled/ demineralised water. Use the Self Clean function and clean your iron.
<b>Iron is leaking.</b>	Overuse of shot of steam button.	Allow more time between each shot.
	Soleplate temperature too low .	Set the temperature control to a higher temperature.

## ROWENTA INTERNATIONAL LIMITED GUARANTEE

This product is repairable by ROWENTA during and after the guarantee period.

The Guarantee This product is guaranteed by ROWENTA (company address and details included in the country list of the ROWENTA International Guarantee) against any manufacturing defect in materials or workmanship during the guarantee period within those countries as stated in the Country List on the last page of the user manual, starting from the initial date of purchase.

The international manufacturer's guarantee by ROWENTA is an extra benefit which does not affect consumer's Statutory Rights.

The international manufacturer's guarantee covers all costs related to restoring the proven defective product so that it conforms to its original specifications, through the repair or replacement of any defective party and the necessary labour. At ROWENTA's choice, a replacement product may be provided instead of repairing a defective product. ROWENTA's sole obligation and your exclusive resolution under this guarantee are limited to such repair or replacement.

Conditions & Exclusions The international ROWENTA guarantee only applies within the guarantee period and for those countries listed in the Country List attached and is valid only on presentation of a proof of purchase. The product can be taken directly in person to an authorised service centre or must be adequately packed and returned, by recorded delivery (or equivalent method of postage), to a ROWENTA authorised service centre. Full address details for each country's authorised service centres are listed on ROWENTA website ([www.rowenta.com](http://www.rowenta.com)) or by calling the

appropriate telephone number as set out in the Country List to request the appropriate postal address.

ROWENTA shall not be obliged to repair or replace any product which is not accompanied by a valid proof of purchase.

This guarantee will not cover any damage which could occur as a result of misuse, negligence, failure to follow ROWENTA instructions, use on current or voltage other than as stamped on the product, or a modification or unauthorised repair of the product. It also does not cover normal wear and tear, maintenance or replacement of consumable parts or the following:

- Using the wrong type of water or consumable,
- Scaling (any descaling must be carried out according to the instructions for use),
- Ingress of water, dust or insects into the product,
- Mechanical damages, overloading,
- Damages or bad results due to wrong voltage or frequency,
- Accidents including fire, flood, thunderbolt, etc.
- Professional or commercial use,
- Damage to any glass or porcelain ware in the product,
- Replacement of consumables.

This guarantee does not apply to any product that has been tampered with, or to damages incurred through improper use and care, faulty packaging by the owner or mishandling by any carrier.

The international ROWENTA guarantee applies only for products purchased in one of the countries listed, and used for domestic purposes only in one of the countries listed on the Country List.

Where a product purchased in one listed country and then used in another listed country:

- a) The international ROWENTA guarantee duration is the one in the country of usage of the product, even if the product was purchased in another listed country with different guarantee duration.
- b) The international ROWENTA guarantee does not apply in case of non-conformity of the purchased product with the local standards, such as voltage, frequency, power plugs, or other local technical specifications.
- c) The repair process for products purchased outside the country of use may require a longer time if the product is not locally sold by ROWENTA.
- d) In cases where the product is not repairable in the new country, the international ROWENTA guarantee is limited to a replacement by a similar product or an alternative product at similar cost, where possible.

## Consumer Statutory Rights

This international ROWENTA guarantee does not affect the statutory rights a consumer may have or those rights that cannot be excluded or limited, not rights against the retailer from which the consumer purchased the product. This guarantee gives a consumer specific legal rights, and the consumer may also have other legal rights which vary from State to State or Country to Country. The consumer may assert any such rights at his sole discretion.

## Additional information

Accessories, consumables and end-user replaceable parts can be purchased, if locally available, as described on the ROWENTA internet site.

### Warning

This content is compiled from multiple sources and is provided for reference purposes only. It may not be complete or fully applicable to all situations. If you are unable to resolve your issue, please contact the product manufacturer or an authorized service provider for official support.