

INSTALLATION INSTRUCTIONS

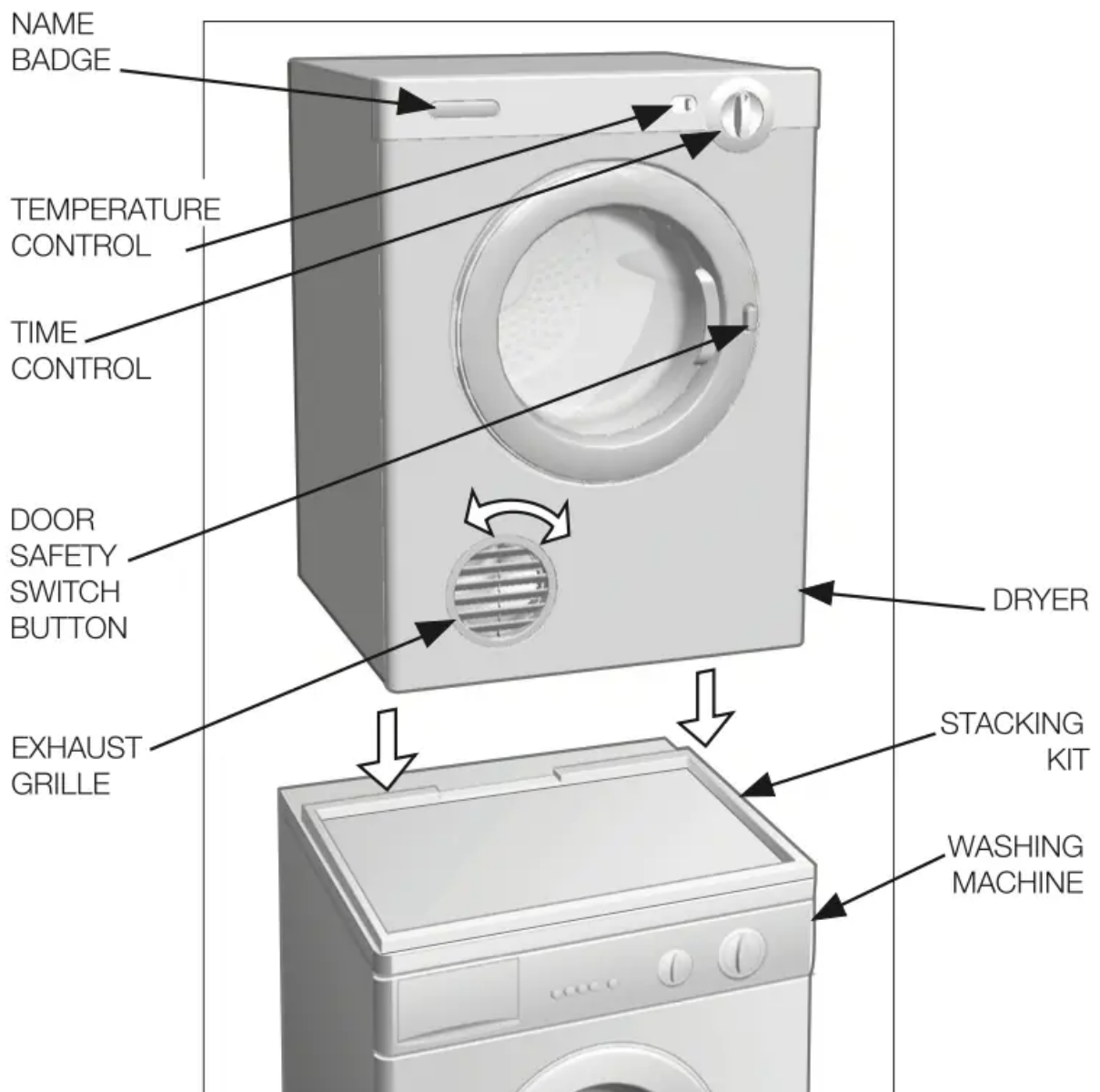
You can choose to put your dryer:

- on the floor
- on a work bench
- on a wall, upside down or upright, using the included mounting kit.
- on top of a front load washing machine (using a stacking kit available as an optional extra).

The appliance must not be installed behind a lockable door, a sliding door or a door with a hinge on the opposite side to that of the tumble dryer in such a way that a full opening of the tumble dryer door is restricted.

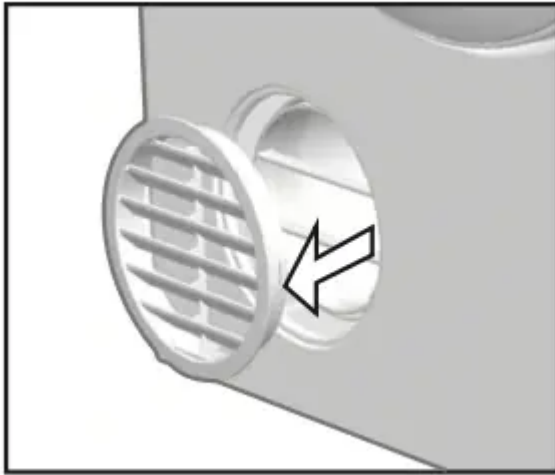
Stacking Kit

You can use a stacking kit if you want to mount your dryer on top of a Simpson front load washing machine. Use the kit part number DKSK03. Refer to the kit instructions on how to install.



The exhaust grille has a range of positions, which allows you to select the optimum exhaust air angle. Simply hold the grille and rotate it until it hits the built-in stop.





removable exhaust grille

Name Badge

You can invert the name badge when you want to mount your dryer upside down on the wall.

Use a suitable tool (such as a thin bladed tool). Unclip the badge from the panel, invert and clip back.

Do not install your dryer in a cupboard or small un-vented laundry unless you are using a venting kit.

There are 3 VENTING OPTIONS

- front
- rear - using a venting kit (optional extra)

Venting Kit

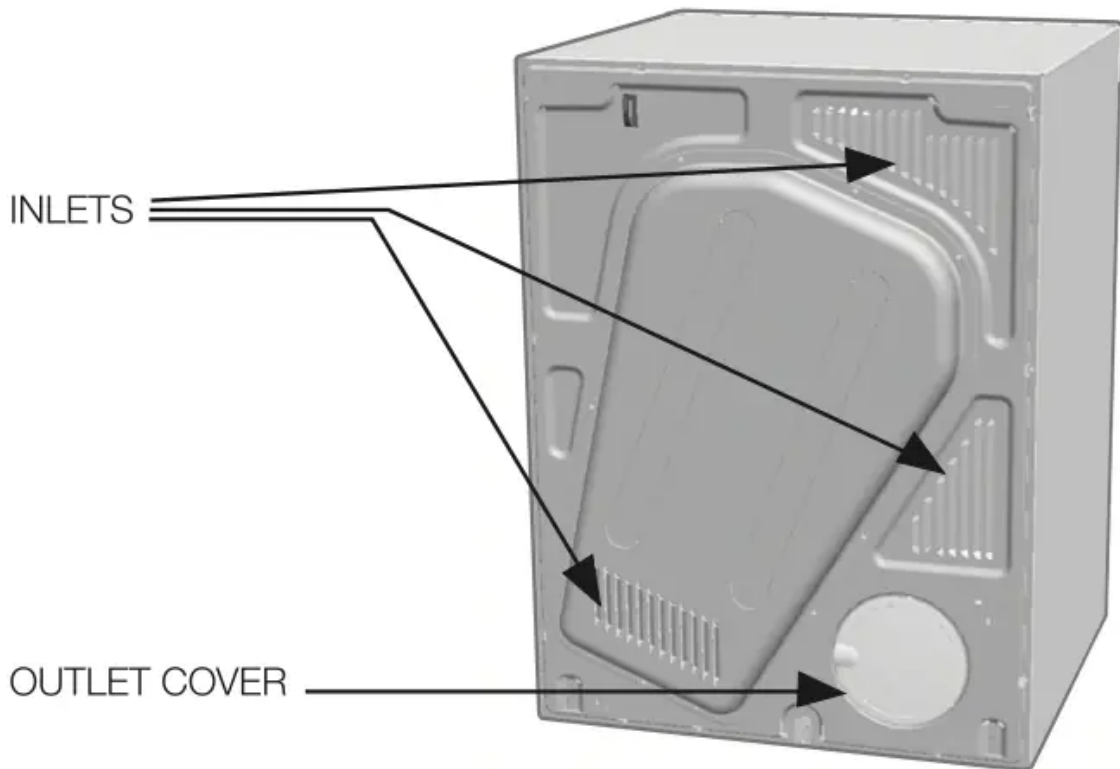
DVK005 - Through the wall

DVK006 - Universal flexible hose

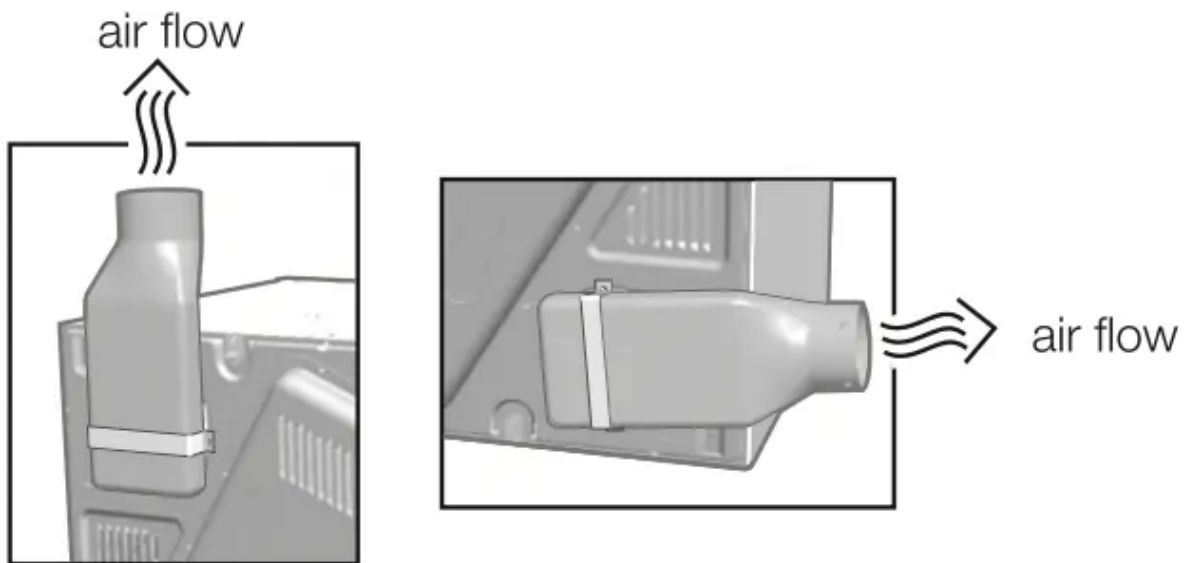
Important: Use only kits approved by Electrolux Home Products Pty Ltd with your dryer. Vontact the Electrolux Home Poducts Pty. Ltd. Spare Parts Centre for the list of approved kits. The exhaust duct must not exceed 2 metres in length and 100mm in diametre.

If connecting the dryer to a common ducting system, safety advice should be requested from the manufacturer.

If you choose t use an optional vent kit, the exhaust grille at the front of the dryer will need to be replaced with the outlet cover from the back of the dryer. Gently prise open the grille, using a thin bladed tool. Next, remove the cover from the back and clip it into the grille space at the front. The exhaust grille is not required when using a vent kit.



You can position the vent kit at the back of the dryer to remove air upwards or sideways.



Inlet and outlet points need clear airflow to prevent overheating, so ensure there is adequate ventilation. (i.e. open window or external door).

If a venting kit is used and the exhaust is discharged out of the room, there must be adequate ventilation to avoid the back flow of gases into the room from appliances burning other fuels, including open fires, when operating the tumble dryer. This is not applicable where a venting hose is directed to an open window. The exhaust air must not be discharged into a flue which is used for exhausting fumes from appliances burning gas or other fuels.

QUICK 5 STEP OPERATING GUIDE

1. Load your dryer loosely until it is no more than TWO THIRDS FULL. Clothes must tumble freely in a dryer. Don't cram them in. Wet clothes fluff up when dry.



Overloading will:

Reduce efficiency

Increase drying time

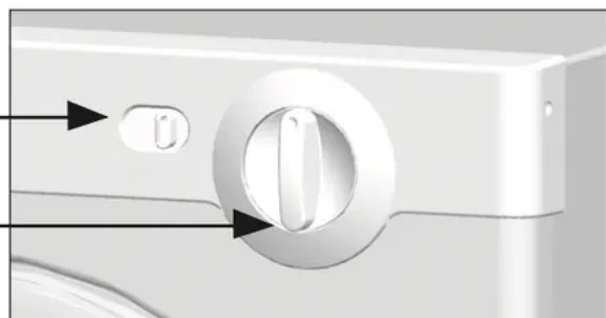
Increase the risk of creasing

Do not load clothes or other articles which are dripping wet into your dryer.

2. Select one of the two (2) temperature settings.

TEMPERATURE
CONTROL

TIME
CONTROL





'Warm' for delicate items which can shrink, such as synthetics, underwear, etc.



'Hot' for heavy, durable items such as towels and flannelette sheets.

3. Select the drying time.

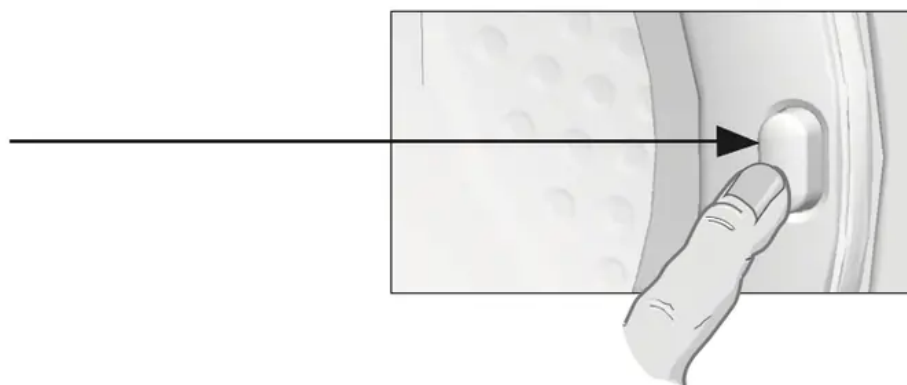
Turn the knob control in the direction of the arrow only (clockwise). Turning the knob in opposite direction (counter - clockwise) will damage the timer.

This damage will not be covered by product warranty.

4. Switch On

The dryer will not operate unless the safety button on the door is fully pressed in.

DOOR
SAFETY
SWITCH
BUTTON



5. Clean Lint Filter

After every load clean the lint filter located at the front of your dryer to reduce drying times and avoid overheating.

STANDARD FEATURES

Reversing Action

The drum is designed to turn one minute in each direction, clockwise and anti-clockwise. This reduces tangling and gives more even drying in a shorter time.

Cooling Down

At the end of the drying cycle, there is automatically a time of no heat, to cool down the load and minimise creasing.

USEFUL HINTS

- Never tumble dry following: Delicate items such as net curtains, woollen, silk, fabric with metal trim, nylon tights, bulky materials such as anoraks, blankets, eiderdown sleeping bags, feather quilts and any items containing rubber foam or materials similar to foam rubber.

- Do not place in your dryer undergarments such as bras and corsets that contain metal reinforcements. Your dryer may be damaged if metal parts were to come loose from the garment. Place such items in a bag designed for this purpose.
- For nylon socks and other small light items, place them in a bag designed for this purpose. This will stop these items being caught in the lint filter cavity.
- Check and empty pockets. Clips, pens, nails and pins can damage both the dryer and your clothes. Other items such as matches or cigarette lighters will cause a fire.
- Close all press studs, hooks, eyes and zips that may catch on something else. Tie all belts and apron strings to prevent tangling.
- Drying time will depend on fabric type and construction, load size and wetness. Save time and money and always spin the load as dry as possible in your washing machine.
- Drying time will also be affected by voltage fluctuations, room temperature and humidity. Clothes will dry more slowly on a cool or humid day.
- For best results, sort the load according to fabric types. Such as heavy items which may take longer to dry, eg towels, flannelette sheets etc, than ones which dry quickly, eg poly/cotton shirts and sheets.
- Avoid drying dark clothes with light coloured items such as towels as lint will show on the dark clothes.

Note: Some fabrics will collect lint from other clothes and items. Separate the lint 'givers' and the lint 'collectors' to minimise this problem.

Clothes that give lint include towels, nappies, chenille.

Clothes that collect lint included corduroy, synthetics and permanent press garments.

- If individual items are still damp after drying, set 30 minute post drying time. This will be necessary particularly for multilayered items (eg collars, pockets, etc).
- Always clean the lint filter - this will reduce drying time and save you money.
- The laundry must be thoroughly spun before tumble drying.
- Easy-care items eg shirts, should be briefly pre-spun before drying (depending on the crease resistance approximately 30 seconds).
- To avoid static charge when drying is completed, use either a fabric softener when you are washing the laundry or a fabric conditioner specifically for tumble dryers.
- Remove the laundry when the dryer has finished drying.
- Do not over-dry laundry, this avoids creasing and saves energy.
- Clothes or towels containing sand or grit should be washed first.

To help you, here is a list of the average weights of some common laundry items.

Sheet	700 - 1000g
Tablecloth	400 - 500g
Kitchen towel	70 - 120g
Table napkin	50 - 100g
Towelling hand towel	150 - 250g
Bathrobe	1000 - 1500g
Men's shirt	200 - 300g
Pillowcase	100 - 200g
Men's pyjamas	400 - 500g
Ladies nightdress	200 - 250g
Bath towel	300 - 400g

TROUBLESHOOTING

If you can't start your dryer, check these probable causes.

- Plug is not firmly in socket, or power not turned on.
- You have blown a fuse. Check that power point with another appliance.
- You have not closed the dryer door or pushed in the door safety switch button.
- You have not turned the control knob to the setting you want.

If your clothes are still wet:

- The selected drying time was insufficient. Turn the control knob to a longer time setting.
- Longer time may be needed when the room temperature is 10 °C or less.
- Check that the lint filter is not blocked.

- Check to see that you have read all the instructions carefully.
- Contact the Service Centre if you are still having problems. Write down the model and serial numbers and the date of purchase before you ring. The Service Centre will need this information.

Important:

To operate efficiently the clothes dryer must have an unrestricted air supply and exhaust ventilation.

Service calls resulting from installation where ventilation is restricted are not covered by warranty.

Warning

This content is compiled from multiple sources and is provided for reference purposes only. It may not be complete or fully applicable to all situations. If you are unable to resolve your issue, please contact the product manufacturer or an authorized service provider for official support.