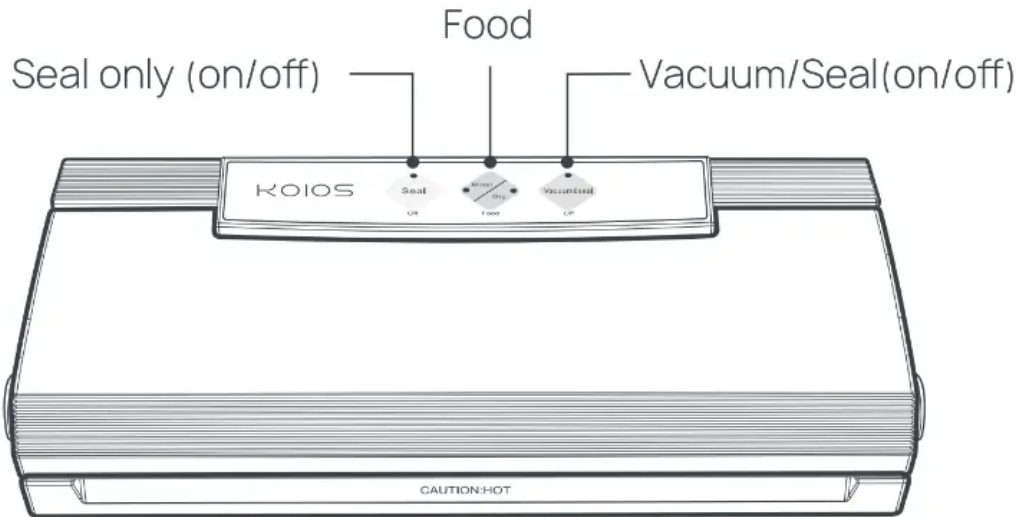


FUNCTION BUTTONS INTRODUCTION



1. Vacuum/Seal (on/off)

Draws air out of the bag and automatically seals the bag after vacuuming is complete.

2. Seal only (on/off)

Seals bags without vacuuming or halts the sealing action whenever you want to stop the operation.

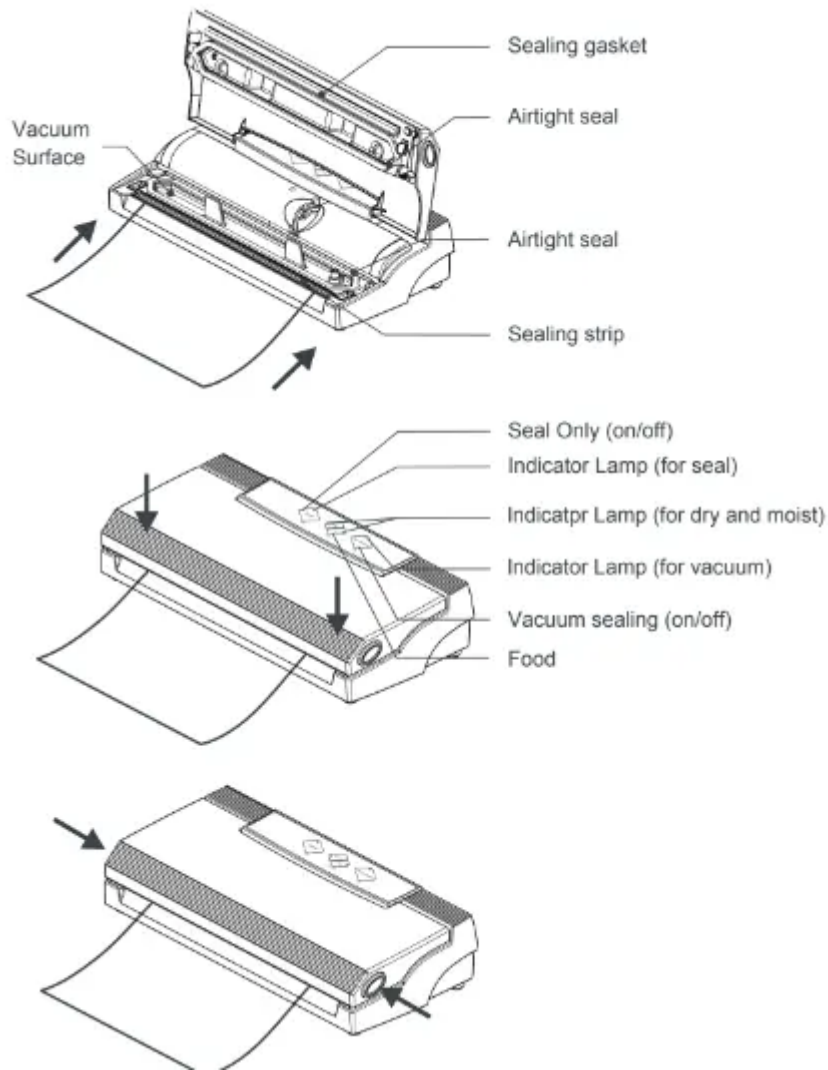
3. Food

Dry button: For dry bags and items without moisture; has a shorter heat-sealing time.

Moist button: For wet bags or foods with a little moisture; has a longer heat-sealing time.

Note: The default setting is set for dry bags and shorter heat-sealing time.

PRODUCT DIAGRAM



HOW TO CUT ASUITABLE BAG

1. Take out the cutter from the sealer.



2. With one hand, hold onto the bag. With your other hand, slide the cutting knife to cut the bag. Folding the bag and cutting it along the crease makes it easier to cut.



3. Use the sealer to seal one end of the bag.



HOW VACUUM-SEAL FOODSTUFF

Silver / Black / Universal

1. After putting the food that you want to preserve into the bag, put the opening end of the bag on the top of the black rubber strip, and then close the cover



2. Press the cover down heavily on both sides by the lined area using two hands - until two click sounds are heard.



3. Press the vacuum/seal button and the bag will automatically vacuum and seal. The sealer will automatically turn off when sealing is complete.



4. Press the two cover lock buttons to retrieve the vacuum-sealed bag.



HOW TO USE PUMPING HOSE

Step 1: Wipe the vacuum sealed storage container, making sure it is clean and dry. Ensure that once the items are placed in the container, it is not too full and that there is a certain space within the vacuum cover. Connect the two ends of the suction hose to the top center hole of the vacuum cover and the machine suction hole.

Step 2: Make sure the lid is tightly closed and turn the lid's pointer knob to the "seal" direction before vacuuming.

Step 3: Press the "Vacuum" button to start pumping. When the machine sound stops and the "seal" indicator goes out, the vacuum is complete.

Step 4: Remove the suction hose after the vacuum is completed and store it for next use.

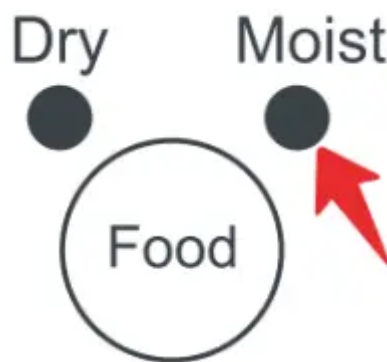
NOTE: Before using the hose, please ensure that the container used is suitable for vacuum sealing.

PROCEDURE FOR SEALING MOIST ITEMS

1. Prepare the moist items to be vacuum sealed.



2. Select 'Moist' mode, then press the vacuum and seal button.



3. Wait for about 10 seconds to allow the heating wire to cool down.



4. Press the "Seal Only" button to complete the sealing.



NOTE : A small amount of gas may remain in the bag because of water vaporization when sealing moist items.

ADVICE FOR BEST VACUUM-SEALING RESULTS

1. Do not put too much food inside the bag: leave enough empty space so that the bag can be placed on the vacuuming plate more effectively.
2. Do not wet the opening end of the bag. A wet bag may be difficult to heat and seal tightly.
3. Do not vacuum-seal objects with sharp points like fish bones and hard shells! Sharp points may penetrate and tear the bag!

FREQUENTLY ASKED QUESTIONS

Vacuums well but seal function is not good.

- Check if the edge of the bag has any liquid, oil or any particles that are preventing it sealing. If yes, clean the edge of the bag and try again.
- Check if the heating element is damaged. If damaged, please replace the heating element and make sure it is installed properly.
- Check if the sealing strip is damaged or not installed correctly. If damaged, please replace the sealing strip and make sure it is installed properly.
- Check if the edge of the bag has wrinkled? If yes, please take out some foods so that the bags have enough space for sealing and smooth the bag mouth and try again.

Sealing function is good but it does not vacuum.

Check if the gasket is deformed? If deformed, replace it and try again.

- Check if the bag is placed in the vacuum chamber. If not, please put the edge of bag correctly into the vacuum chamber.
- Check if the food has any sharp angles. If yes, please remove or adjust the angle of the sharp part of the food.
- Check if the edge of bag is covering the suction hole. If yes, please put the bag into the correct position.'

CLEANING AND MAINTENANCE

1. Always unplug the unit before cleaning.
2. Do not immerse in water or any other liquid.
3. Do not use abrasive cleaners to clean the unit. for they will scratch the surface.
4. Wipe the outside of the unit with a damp cloth or sponge.
5. To clean the inside of the unit, wipe away any food or liquid with a paper towel.
6. Dry thoroughly before using again.

Warning

This content is compiled from multiple sources and is provided for reference purposes only. It may not be complete or fully applicable to all situations. If you are unable to resolve your issue, please contact the product manufacturer or an authorized service provider for official support.

Document generated by [ManualsFile](#)