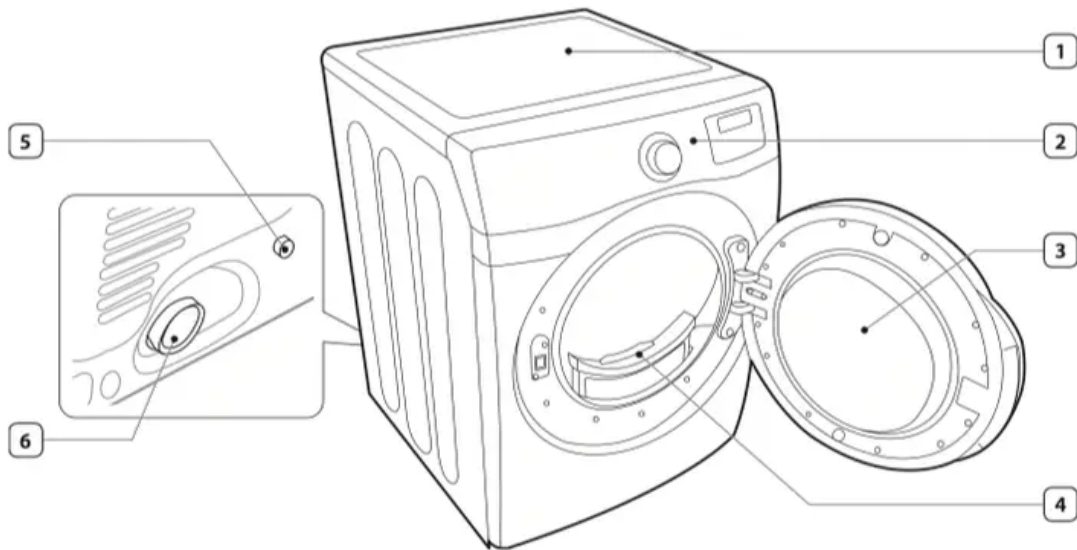


What's included



1	Top cover	4	Filter
2	Control panel	5	Water Inlet (Steam model only)
3	Door	6	Duct Exhaust

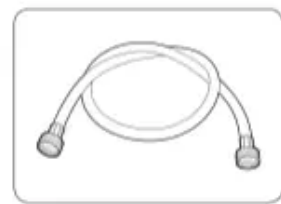
Accessories (Steam model only)



"Y"-connector



Short inlet hose



Long inlet hose

Operating instructions, tips

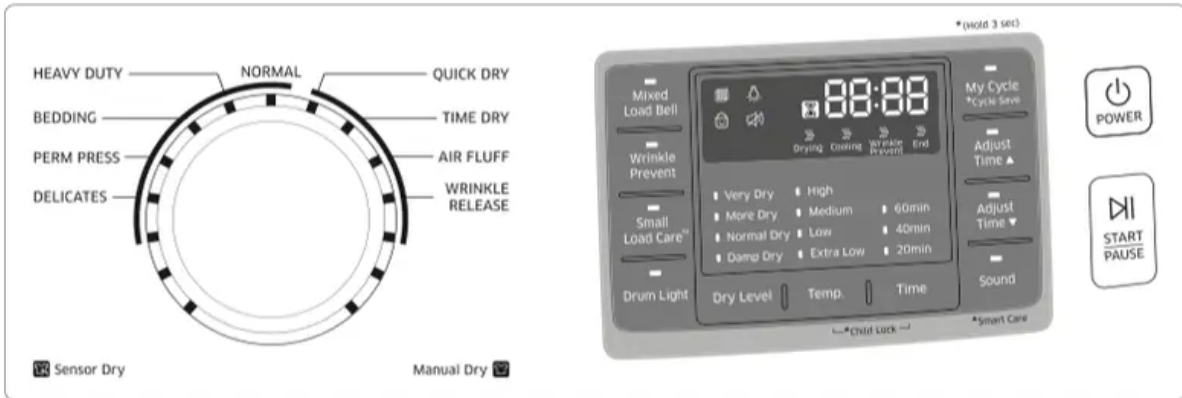


To reduce the risk of fire, electric shock, or injury to persons, read the IMPORTANT SAFETY INSTRUCTIONS before operating this appliance.

Overview of the control panel



The courses and functions differ depending on the model. Please check your model before proceeding.



1. Cycle selector

To select a cycle, rotate the Cycle selector dial to the desired cycle.

The indicator light by the cycle name will illuminate. The ECO NORMAL, NORMAL, HEAVY DUTY, BEDDING, SANITIZE, PERM PRESS, WOOL and DELICATES cycles are Sensor Dry cycles.

Sensor Dry automatically senses the moisture in the load and shuts the dryer off when the selected dryness level (Very Dry to Damp Dry) is reached.

CYCLE	RECOMMENDED ITEMS	DETAILS
NORMAL	Cottons, Work clothes, Linen, Mixed loads	Use this cycle to dry loads such as cotton, underwear, and linen.
HEAVY DUTY	Heavy fabrics such as jean, Corduroys, Heavy work clothes	Use this cycle to get high heat for heavy fabrics such as jeans, corduroys, or work clothes.
BEDDING	Bulky items such as blankets, Sheets, Comforters, Pillows	For bulky items such as blankets, sheets, and comforters.
SANITIZE	Bedding, Curtains, Children's clothing	Sanitize garments by infusing high temperature heat deep into the fabric during the drying cycle. Use this course to keep your bedding and curtains clean through sanitization.
PERM PRESS	Shirts, Synthetic fabrics, Knits, Wrinkle-free cottons, Permanent	Dry wrinkle-free cottons, synthetic fabrics, knits, and permanent press fabrics automatically.
WOOL	For machine washable and tumble dryable wool only (Maximum amount : 3lb)	For machine washable and tumble dryable wool only.
DELICATES	Underwear, Blouses, Lingerie	The DELICATES cycle is designed to dry heat-sensitive items at a low drying temperature.
ACTIVE WEAR	Water-repellent wear, performance clothes, Sports wear (Maximum amount : 4lb)	The ACTIVE WEAR cycle is for exercise wear and outdoor wear such as sports jerseys, training pants, water-repellent jackets and other performance clothing. Thick fabrics like a zipper or velcro closure of a jacket, or training socks may not be completely dried.

QUICK DRY	Small loads	Provides a 30 minutes drying cycle.
TIME DRY	Any load	The TIME DRY allows you to select a cycle time in minutes. Turn the Cycle Selector dial to TIME DRY, then press the Adjust Time up arrow to set the drying time. Press the arrow repeatedly to scroll through the time settings.
AIR FLUFF	Foam, Rubber, Plastic	The AIR FLUFF cycle tumbles the load in room temperature air.
WRINKLE RELEASE	Shirts, Trouser, Blouses	The WRINKLE RELEASE cycle will release wrinkles from items that are clean, dry, and only slightly wrinkled, such as clothes from a crowded closet, suitcase or items that have been in the dryer too long after the cycle has ended. Wrinkle Release can be used with any temperature selection.

REFRESH	Shirts, Trouser, Comforter, Pillows (Confirm that the laundry load is dry)	This cycle is best for smoothing out wrinkles and reducing odors from loads consisting of one to four dry items. In this cycle a small amount of water is sprayed into the dryer drum after several minutes of tumbling with heat.
WRINKLE AWAY	Shirts, Trouser, Blouses (Confirm that the laundry load is dry)	The WRINKLE AWAY cycle removes wrinkles from clothes stored in closets, etc. It provides wrinkle release via optimized steam care. For best results, load 2-3 items at once. You can extend the drying time by a minimum of 20 minutes, depending on the item type or load.

2. Cycle options

<p>Anti Static (Steam Model Only)</p>	<p>To reduce statics by clothing friction and spray steam at the later period of drying cycle.</p> <p>It is only available with: NORMAL, HEAVY DUTY, PERM PRESS, DELICATES (Dry level of every course exceeds Normal) and TIME DRY course.</p> <p>In order to reduce statics, the drum can be paused during operation.</p>
<p>Rack Dry</p>	<p>Rack Dry is available in the TIME DRY cycle. Temperature will be set to Extra Low only. (Refer to the “Rack dry (DV42H5400* Only)” section on page 31.)</p>
<p>Mixed Load Bell</p>	<p>The mixed load bell that notifies you when the average dry level in a load is damp dry (80 % dried). This lets you take garments that you don’t want fully dried or that dry quickly out of the dryer early while letting others continue to dry.</p> <p>You can select this function in all Sensor Dry cycles except WOOL, SANITIZE. The dry level selections are limited to Normal Dry, More Dry, and Very Dry.</p>
<p>Wrinkle Prevent</p>	<p>Wrinkle Prevent provides approximately 180 minutes of intermittent tumbling in unheated air at the end of the cycle to reduce wrinkling. Press the Wrinkle Prevent button to activate this feature.</p> <p>The indicator light above the pad will illuminate when Wrinkle Prevent is selected. The load is dry, and can be removed at any time during the Wrinkle Prevent cycle.</p>
<p>My Cycle</p>	<p>Choose your favorite cycle including cycle, temp, dry level option, etc. (Refer to the “My Cycle” section on page 33.)</p>
<p>Adjust Time</p>	<p>Time can be added or subtracted from the automatically set times in the Manual Dry cycles (TIME DRY, QUICK DRY, or AIR FLUFF cycles) and WRINKLE AWAY cycle.</p> <p>To add or subtract time from the cycle, press the Adjust Time arrow pad up or down until the desired time is displayed.</p>
<p>Small Load Care™</p>	<p>To control operation rate for drying a small loads at Sensor Dry course.</p> <p>It is only available with: NORMAL, HEAVY DUTY, PERM PRESS and DELICATES course. It can’t be selected/cancelled when the drying course is running.</p>



In order to improve drying effect and control operation rate, the drum can be paused during operation.

3. Dry Level

To select the dry level in the NORMAL, HEAVY DUTY, or other Sensor Dry cycles, press the Dry Level button. An indicator light will illuminate next to the desired dryness level.

Press the button repeatedly to scroll through the settings. Larger or bulkier loads may require the Very Dry or More Dry setting for complete dryness.

The Less Dry setting is best suited for lightweight fabrics or for leaving some moisture in the clothing at the end of the cycle. Damp Dry is designed to partially dry items. Use for items that lay flat or hang to dry.

4. Temp.

To select the correct temperature for the load, press the Temp. button. An indicator light will illuminate next to the desired temperature. Press the button repeatedly to scroll through the settings.

High	For sturdy cottons or those labeled Tumble Dry.
Medium	For permanent press, synthetics, lightweight cottons, or items labeled Tumble Dry Medium.
Med Low	For lower heat than Medium to dry synthetic or washable knit fabrics.
Low	For heat sensitive items labeled Tumble Dry Low or Tumble Dry Warm.
Extra Low	Provides the lowest heated dry temperature possible.

5. Time

When using Manual Dry cycles, you can adjust the drying time by pressing the Time selection button. During the Sensor Dry cycle, the time light indicator is off because exact drying times are determined by fluctuating humidity levels.

6. LED Display

The display window shows the estimated time remaining in the cycle after the Start/Pause button is pressed. The estimated time remaining may fluctuate as the cycle progresses.

The Drying light will illuminate and remain lit until the cycle is complete.

When your dryer is in the cool-down phase, the Cooling light will illuminate.

When your dryer is in the wrinkle prevent phase, the Wrinkle Prevent light will illuminate.

When the cycle is complete, "End" will appear in the display panel until the dryer door is opened or the Power button is pushed.

If your dryer is paused during a cycle, the indicator lights will blink until the Start/Pause button is pressed.




7. Power

Press once to turn your dryer on. Press again to turn it off. If your dryer is left on for more than 10 minutes without any buttons being touched, the power automatically turns off.

8. Start/Pause

Press to pause and restart programs.

9. Indicators

	Filter Check
	Drum Light
	Child Lock
	Sound Off
	Steam

Load the dryer properly

- Place only one washload in your dryer at a time.
- Mixed loads of heavy and lightweight fabrics will dry differently, which may result in lightweight fabrics being dry while heavy fabrics remain damp at the end of a drying cycle.
- Add one or more similar items to your dryer when only one or two articles of clothing need drying. This improves the tumbling action and drying efficiency.
- Overloading restricts tumbling action, resulting in uneven drying as well as excessive wrinkling of some fabrics.

If you insert laundry into your dryer while it is extremely tangled immediately after your washer has finished a wash or spin cycle, it may degrade the drying efficiency or cause the door to open. We recommend that you untangle your laundry appropriately before inserting it.

Getting started

1. Load your dryer loosely (DO NOT overload).
2. Close the door.
3. Select the appropriate cycle and options for the load. (For detail, refer to the “Cycle overview” on next page.)
4. Press the Start/Pause button.
5. The dryer indicator light will illuminate.
6. The estimated cycle time will appear in the display. The time may fluctuate as humidity levels fluctuate in the dryer.



- When the cycle is complete, “End” will appear in the display.
- Pressing Power cancels the cycle and stops your dryer.
- The Drying, Cooling, and Wrinkle Prevent indicator lights will illuminate during those portions of the cycle.



Do not place anything on top of your dryer while it is running.

Cycle overview

Predefined

	CYCLE	LOAD SIZE	DRY LEVEL		TEMPERATURE	
			Predefined	Adjustable	Predefined	Adjustable
Sensor Dry	NORMAL	Large	Normal Dry	o	High	o
	HEAVY DUTY	Large	Normal Dry	o	High	-
	BEDDING	Large	Normal Dry	o	High	-
	SANITIZE	Large	Very Dry	-	High	-
	PERM PRESS	Medium	Normal Dry	o	Medium	-
	WOOL	Small	Normal Dry	-	Low	-
	DELICATES	Medium	Normal Dry	o	Extra Low	-
	ACTIVE WEAR	Small	Normal Dry	-	Medium	-
Manual Dry	QUICK DRY	Small	-	-	High	-
	TIME DRY	Large	-	-	High	o
	AIR FLUFF	Small	-	-	-	-
	WRINKLE RELEASE	Small	-	-	Medium	-
Steam Cycles	REFRESH	Small	-	-	High	-
	WRINKLE AWAY	Small	-	-	High	-



Load size recommendations

For best results, follow the load size recommendations for each drying cycle.

Large	Fill the drum to about $\frac{3}{4}$ full. Do not add items over this level as they need to tumble freely.
Medium	Fill the drum to about $\frac{1}{2}$ full.
Small	Fill the drum with 3~5 items, not more than $\frac{1}{4}$ full.

Options

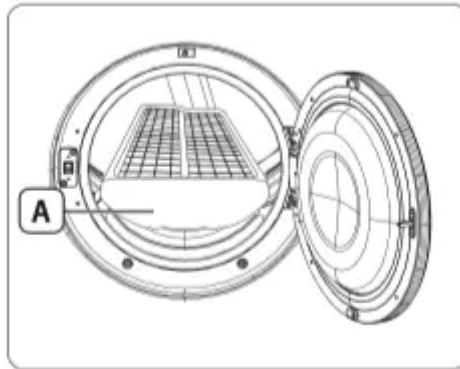
CYCLE		AVAILABLE OPTIONS				
		Mixed Load Bell	Adjust time Up/Down	Small Load Care™	Anti Static	Wrinkle Prevent
Sensor Dry	NORMAL	0	-	0	0	0
	HEAVY DUTY	0	-	0	0	0
	BEDDING	0	-	-	-	0
	SANITIZE	-	-	-	-	0
	PERM PRESS	0	-	0	0	0
	WOOL	-	-	-	-	0
	DELICATES	0	-	0	0	0
	ACTIVE WEAR	-	-	-	-	0
Manual Dry	QUICK DRY	-	0	-	-	0
	TIME DRY	-	0	-	0	0
	AIR FLUFF	-	0	-	-	0
	WRINKLE RELEASE	-	0	-	-	0
Steam Cycles	REFRESH	-	-	-	-	0
	WRINKLE AWAY	-	0	-	-	0

Rack dry (DV42H5400* Only)

Installing the drying rack

1. Open the dryer door.
2. Position the drying rack in the tumbler, placing the front lip of the drying rack (A) on the top of the lint filter.
3. Place the rear legs in the two recessed areas of the dryer's back wall, and then push down the middle of the drying rack to fix in place.
4. Place the items to be dried on the rack, leaving space between them so air can circulate.
5. Close the dryer door.

6. Press the Rack Dry button in the TIME DRY cycle and then select the time according to the amount of moisture and the weight of the items. The drying rack can be also used at AIR FLUFF cycle.



SUGGESTED ITEMS	SUGGESTED TEMP. SETTINGS
Washable sweaters (block to shape and lay flat on rack)	Extra Low (TIME DRY cycle)
Stuffed toys (cotton or polyester fiberfilled)	Extra Low (TIME DRY cycle)
Stuffed toys (foam or rubber-filled)	AIR FLUFF
Foam rubber pillows	AIR FLUFF
Sneakers	AIR FLUFF



Drying foam rubber, plastic, or rubber on a heat setting may cause damage to the items and lead to a fire hazard.



The drying rack is not included in the DV42H5200* and DV42H5000* models. You can purchase the drying rack (part code: DC61-02705A) at a local Samsung service center.

Child Lock

Prevents children from playing with your dryer.

Setting/Releasing

To turn Child Lock on or off, press both the Temp. and Time buttons simultaneously for 3 seconds.

Child Lock Details

1. You can turn Child Lock on while your dryer is running.

2. Once you set the Child Lock function, no button, except for the Power button, will respond until you turn off the Child Lock function.

3. The “Child Lock  ” indicator will be lit.



- If the dryer is powered on again, the Child Lock function stays on.
- To turn off Child Lock, follow the instructions above.



When other buttons, except for the Power button, do not respond, check the Child Lock indicator. If Child Lock is on, follow the instructions above to turn Child Lock off.

Drum Light

Lights the dryer drum while the dryer is running.

Turning On and Off

To turn on or turn off the Drum Light, press and hold the Wrinkle Prevent (DV42H5400*) / Small Load Care™ (DV42H5200*) button for 3 seconds; press the Drum Light (DV42H5000*) button.



You can turn the Drum Light on and off while your dryer is running and when it is stopped. If you do not turn the Drum Light off 5 minutes after turning it on, the Drum Light is automatically turned off.


Sound Off

Use this function to mute the button and operating sounds.

Setting and Releasing

To turn the Sound Off function on or off, press and hold the Dry Level button for 3 seconds (DV42H5400*); press the Sound button (DV42H5200*, DV42H5000*).

Sound Off Details:

1. You can set Sound Off while your dryer is running.
2. Once you have activated Sound Off, the button and operating sounds are muted until you deactivate it.
3. The “Sound Off  ” indicator will be lit.



If you do not turn the Sound Off function off before you turn your dryer off, It will still be on when you turn your dryer on again. To turn Sound Off off, follow the instructions above.

My Cycle

Load

- Press the My Cycle button for less than 3 seconds to activate My Cycle mode where all course settings and selected options are loaded.
- The My Cycle indicator turns on when the mode is active.
- If you have not configured any My Cycle settings, the default course settings are loaded.

Save

You can add and save preferred options to My Cycle.

1. Turn the course dial to select a course.
2. Set necessary options for the selected course. For details on each course and options, see page 30.
3. Press and hold the My Cycle button for more than 3 seconds to save the course options. The My Cycle indicator blinks while the options are being saved.



The Wrinkle Prevent option is not available for the My Cycle function.

Smart Care

This function enables you to check the status of the dryer using a smartphone.

1. Press and hold the Small Load Care™ (DV42H5400*) or Sound (DV42H5200*, DV42H5000*) button for 3 seconds when an error occurs or if you haven't pressed any buttons on the dryer after you turned the power on.
2. When the Smart Care function is activated, the LED on the window display rotates for 2 or 3 seconds and then the error code will appear in the display panel.
3. Run the Smart Care app on your smart phone.



The Smart Care function has been optimized for: Galaxy & iPhone series (cannot be supported for some models).

4. If the smart phone's camera is focused on the display panel of the dryer, the panel and error message is automatically recognized and the error type and countermeasures are displayed on the smart phone.
5. If the smartphone fails to recognize the error code more than twice, please enter the error code displayed on the display panel of the dryer manually into the Smart Care app.

Downloading the Smart Care app

Download the Samsung Laundry App into your mobile phone from the Android market or Apple App store. (Search word : Samsung Smart Washer/Dryer)

Precautions when using Smart Care

- If light from a light bulb, fluorescent bulb, or lamp is reflected on the display panel of the washing machine, the smartphone may not be able to recognize the panel or error message easily.
- If you hold the smartphone at too large an angle relative to the front of the display panel, it may not be able to recognize the error code. For best results, hold the smartphone so that the front of the panel and the smartphone are parallel or nearly parallel.

Care and cleaning

Control panel

Clean with a soft, damp cloth. Do not use abrasive substances.

Do not spray cleaners directly on the panel.

The control panel finish may be damaged by some laundry pre-treatment soil and stain remover products. Apply such products away from your dryer and wipe up any spills or overspray immediately.

Tumbler

Remove any stains caused by crayon, ink, or fabric dye (from new items such as towels or jeans) with an all-purpose cleaner.

Tumble old towels or rags to remove any remaining stain or cleaning substance.

Once these steps are followed, stains may still be visible, but should not transfer to subsequent loads.

Stainless steel tumbler

To clean the stainless steel tumbler, use a damp cloth with a mild, non-abrasive cleaner suitable for stainless steel surfaces.

Remove the cleaner residue and dry with a clean cloth.

Dryer exterior

Clean with a soft, damp cloth. Do not use abrasive substances.

Protect the surface from sharp objects.

Do not place any heavy or sharp objects or a detergent box on the dryer. Keep them on the purchased pedestal or in a separate storage box. This may scratch or damage the top cover of the dryer.

Since the entire dryer has a high-gloss finish, the surface can be scratched or damaged.

Avoid scratching or damaging the surface when using the dryer.

Dryer exhaust system

Should be inspected and cleaned yearly to maintain optimum performance.

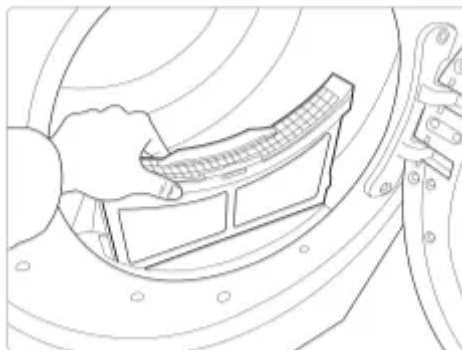
The outside exhaust hood should be cleaned more frequently to ensure proper operation.

Clean the lint filter

- After each load.
- To shorten drying time.
- To operate more energy efficiently.



Do not operate your dryer without the lint filter in place.



Special laundry tips

Special laundry tips

Please follow the care label or manufacturer's instructions for drying special items. If care label instructions are not available, use the following information as a guide.

Bedspreads & Comforters	Follow the care label instructions or dry on the BEDDING cycle. Make sure the item is thoroughly dry before using or storing. May require repositioning to ensure even drying.
Blankets	Use NORMAL cycle and dry only one blanket at a time for best tumbling action. Make sure the item is thoroughly dry before using or storing.
Curtains & Draperies	Use the PERM PRESS cycle and Medium temperature to help minimize wrinkling. Dry these in small loads for best results and remove as soon as possible.
Cloth Diapers	Use the NORMAL cycle and the High temperature settings for soft, fluffy diapers.
Down-filled Items (jackets, sleeping bags, comforters, etc.)	Use the NORMAL cycle and the Medium temperature setting. Adding a couple of dry towels shortens drying time and absorbs moisture.
Foam Rubber (rug backs, stuffed toys, shoulder pads, etc.)	DO NOT dry on a heat setting. Use the AIR FLUFF cycle (no heat). WARNING – Drying a rubber item with heat may damage it or be a fire hazard.
Pillows	Use the NORMAL cycle. Add a couple of dry towels and a pair of clean sneakers to help the tumbling action and to fluff the item. DO NOT dry kapok or foam pillows in dryer. Use the AIR FLUFF cycle.
Plastics (shower curtains, outdoor furniture covers, etc.)	Use the AIR FLUFF cycle or the TIME DRY cycle and the Low or Extra Low temperature settings depending on the care label instructions.

THINGS TO AVOID PUTTING IN THE DRYER:

- Fiberglass items (curtains, draperies, etc.).



- Woolens, unless recommended on the label.
- Vegetable oil- or cooking oil-soaked, or gasoline-soaked items.

Troubleshooting

Check these points if your dryer...

PROBLEM	SOLUTION
Doesn't run.	<ul style="list-style-type: none"> • Make sure the door is latched shut. • Be sure the power cord is plugged into a live electrical outlet. • Check the home's circuit breaker and fuses. • Press the Start/Pause button again if the door is opened during the cycle.
Doesn't heat.	<ul style="list-style-type: none"> • Check the home's circuit breaker and fuses. • Select a heat setting other than Air Fluff. • On a gas dryer, check that the gas supply is on. • Clean the lint filter and exhaust duct. • Dryer may have moved into the cool-down phase of the cycle.
Doesn't dry.	<ul style="list-style-type: none"> • Check all of the above, plus... • Be sure the exhaust hood outside the home can open and close freely. • Check exhaust system for lint buildup. Ducting should be inspected and cleaned annually. • Use a 4" rigid metal exhaust duct. • Do not overload. 1 wash load = 1 dryer load. • Sort heavy items from lightweight items. • Large, bulky items like blankets or comforters may require repositioning to ensure even drying. • Check that the dryer is draining properly to extract adequate water from the load. • Load may be too small to tumble properly. Add a few towels.
Is noisy.	<ul style="list-style-type: none"> • Check the load for objects such as coins, loose buttons, nails, etc. Remove promptly. • It is normal to hear the dryer gas valve or heating element cycle on and off during the drying cycle. • Be sure the dryer is leveled properly as outlined in the installation instruction. • It is normal for the dryer to hum due to the high velocity of air moving through the dryer drum and exhaust system.



<p>Dries unevenly.</p>	<ul style="list-style-type: none"> • Seams, pockets, and other similarly heavy areas may not be completely dry when the rest of the load has reached the selected dryness level. This is normal. Select the Very Dry setting if desired. • If one heavy item is dried with a lightweight load, such as one towel with sheets, it is possible that the heavy item will not be completely dry when the rest of the load has reached the selected dryness level. Sort heavy items from lightweight items for best drying results.
<p>Has an odor.</p>	<ul style="list-style-type: none"> • Household odors from painting, varnishing, strong cleaners, etc. may enter the dryer with the surrounding room air. This is normal as the dryer draws the air from the room, heats it, pulls it through the tumbler, and exhausts it outside. • When these odors linger in the air, ventilate the room completely before using the dryer.
<p>Shuts off before load is dry</p>	<ul style="list-style-type: none"> • Dryer load is too small. Add more items or a few towels and restart the cycle. • Dryer load is too large. Remove some items and restart the dryer.



<p>Lint on clothes</p>	<ul style="list-style-type: none"> • Make sure the lint filter is cleaned before every load. With some loads that produce high amounts of lint, it may be necessary to clean the filter during the cycle. • Some fabrics are lint producers (for example, a fuzzy white cotton towel) and they should be dried separately from clothes that are lint trappers (for example, a pair of lack linen pants) • Divide larger loads into smaller loads for drying. • Check pockets thoroughly before washing and drying clothes.
<p>Garments still wrinkled after Wrinkle-Care</p>	<ul style="list-style-type: none"> • Small loads of 1 to 4 items work best. • Load fewer garments. Load similar-type garments.
<p>Odors remain in clothing after Refresh.</p>	<ul style="list-style-type: none"> • Fabrics containing strong odors should be washed in a normal cycle.
<p>Water drips from nozzle when Steam-Care starts</p>	<ul style="list-style-type: none"> • This is steam condensation. The dripping water will stop after a short time.
<p>Sprayed water is not visible during Steam-Care</p>	<ul style="list-style-type: none"> • Sprayed water is difficult to see when the door is closed.
<p>Extended time</p>	<ul style="list-style-type: none"> • Verify correct loading (clothes) / cycle selection (see page 26).

Information codes

Information codes may be displayed to help you better understand what is occurring with your Dryer.



ERROR DISPLAY	MEANING	SOLUTION
tE	The thermistor resistance is very low or high.	Clean the screen or vent. If the problem continues, call for service.
HE	Invalid heating Temp when the dryer is running.	Call for service.
dE	Running the dryer with door open.	Clean the door and then restart. If the problem continues, call for service.
bE2	Invalid state of key.	Make sure a button is NOT being pressed continuously. Try restarting the cycle. If the problem continue, call for service.
FE	Invalid power source frequency.	Try restarting the cycle. If the problem continues, call for service.
9E1	Electronic Control Problem (Over Voltage Error.)	Call for service.
AE	Electronic Control Problem (Communication Error.)	Call for service.
EEE	Invalid state of Eeprom communication.	Call for service.
dF	Invalid door.	Call for service.

For any codes not listed above, call 1-800-SAMSUNG (726-7864)

Warning



This content is compiled from multiple sources and is provided for reference purposes only. It may not be complete or fully applicable to all situations. If you are unable to resolve your issue, please contact the product manufacturer or an authorized service provider for official support.

Document generated by [ManualsFile](#)

