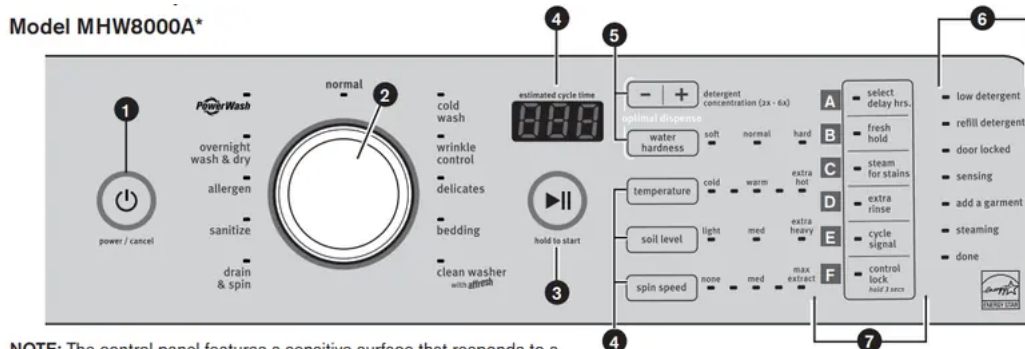
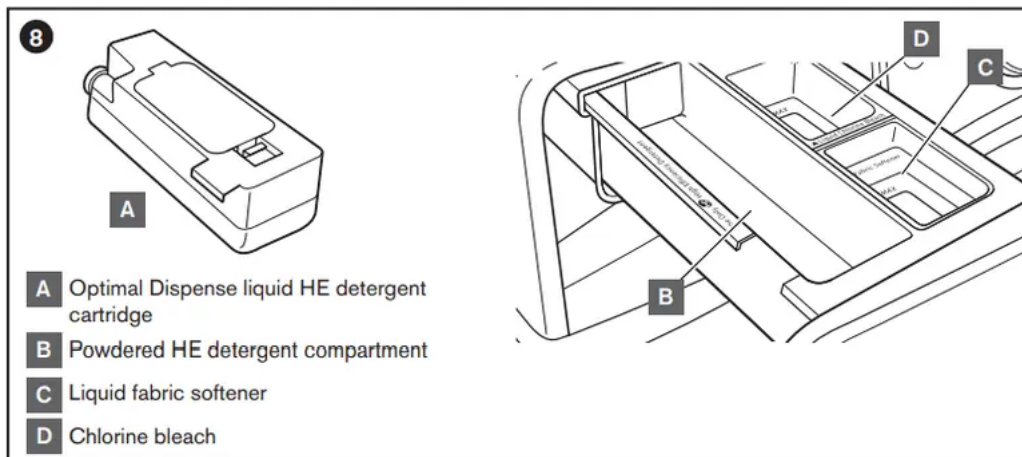


## CONTROL PANEL AND FEATURES



**NOTE:** The control panel features a sensitive surface that responds to a light touch of your finger. To ensure your selections are registered, touch the control panel with your finger tip, not your fingernail. When selecting a setting or option, simply touch its name.



### 1. POWER/CANCEL

Touch to turn the washer on and off. Touch to stop/cancel a cycle at any time.

### 2. WASH CYCLE KNOB

Turn the knob to select a cycle for your laundry load. An LED will light up for the cycle selected.

**NOTE:** The Clean Washer LED will flash when the washer has run wash cycles as a reminder to run the Clean Washer cycle.

See “Cycle Guide” for detailed descriptions of cycles.

**NOTE:** For best results when using the Overnight Wash & Dry cycle, use for loads weighing 2.5 pounds and less, such as a soccer uniform or a running tank and shorts.

### 3. START

Touch and hold until the light above START comes on to start a cycle, or touch once while a cycle is in process to pause it.



If you want to add a garment, you can touch START when the “Add a Garment” LED is on.

#### **4. LED DISPLAY AND SETTINGS**

When you select a cycle, its default settings will light up and the Estimated Cycle Time will be displayed. Factors such as load size, wash temperature, and water pressure may affect the time shown in the display. Tightly packing garments, unbalanced loads, or excessive suds may cause the washer to lengthen the cycle time, as well.

Touch the desired option along the bottom of the display to adjust settings. See “Cycle Guide” for available settings on each cycle. Not all settings are available with all cycles.

##### **Temperature**

The recommended wash temperature is preset for each cycle. You may also select a wash temperature based on the type of fabric and soils being washed. For best results, use the warmest wash water safe for your fabric, following the garment label instructions. All wash temperatures feature a cold rinse.

##### **Soil Level**

Soil Level (wash time) is preset for each wash cycle. When you change the soil setting, the cycle time will increase or decrease in the Estimated Cycle Time display.

For most loads, use the soil level that is preset with the cycle you have chosen. For heavily soiled and sturdy fabrics, use the Soil Level setting to select more wash time. For lightly soiled and delicate fabrics, use the Soil Level setting to select less wash time. Lower soil level settings will help reduce tangling and wrinkling.

##### **Spin Speed**

This washer automatically selects the spin speed based on the cycle selected. Some preset speeds can be changed.

- Higher spin speeds mean shorter dry times, but may increase wrinkling in your load.
- Lower spin speeds reduce wrinkling, but will leave your load more damp.

#### **5. OPTIMAL DISPENSE – DETERGENT CONCENTRATION AND WATER HARDNESS**

Touch – or + to set detergent concentration from 2x to 6x. Touch WATER HARDNESS to set water hardness level (normal, hard, or soft). (See “About Detergent Concentration” section.)

**IMPORTANT:** When using the dispenser cartridge with concentrated liquid detergent, be sure to change the detergent concentration settings in the control if the detergent used is different than factory preset of 2x concentration.

#### **6. Cycle Status Lights**

For details, see “Cycle Status Lights”.

#### **7. OPTIONS**

Touch to activate additional wash options or additional features on the washer. Not all options are available on all models.

#### **A. Select Delay Hrs.**

Touch this option to delay the start of the wash cycle by up to 12 hours.

#### **B. Fresh Hold® Option**

The Fresh Hold® option will periodically tumble the load after the end of the cycle for up to 12 hours while the integrated fan circulates air through the washer to reduce humidity. To turn on the Fresh Hold® option, touch Fresh Hold. If, however, the Fresh Hold® option is turned on, it will stay on for all future cycles until turned back off – the washer remembers the last on/off status set. To turn off the Fresh Hold® option, touch Fresh Hold.

You may also activate the Fresh Hold® option without running a cycle by touching and holding POWER/ CANCEL for one second, then touching and holding Fresh Hold® option for 3 seconds, then touching and holding START for 3 seconds.

To turn off the Fresh Hold® option when it is running, touch POWER/CANCEL.

NOTE: The door will lock while the Fresh Hold® option is active. To cancel the option and unlock the door, touch POWER/CANCEL.

#### **C. Steam for Stains**

The Steam for Stains option adds additional soak and wash time to many cycles to help remove tough stains, as well as a steam boost for added cleaning power. An integrated heater helps to maintain optimal wash temperatures. See the “Cycle Guide” for cycles that allow the Steam for Stains option.

#### **D. Extra Rinse**

Activate this option to add an extra rinse to most cycles.

NOTE: Some cycles include this feature as a default.

See “Cycle Guide” for details.

#### **Drum Light**

Touch and hold EXTRA RINSE for 3 seconds to turn on the Drum Light.

#### **E. Cycle Signal**

Use this option to turn on or off the signal that sounds at end of cycle.

To turn off the tones that sound when a setting is touched: Touch and hold CYCLE SIGNAL for about 3 seconds. Repeat to turn them on.

#### **F. Control Lock**

Touch and hold for 3 seconds to lock the controls to avoid unwanted changes or operation. Touch and hold 3 seconds again to unlock. You may still touch START to pause the cycle, or touch POWER/CANCEL to turn off the washer.

## 8. OPTIMAL DISPENSE DRAWER

The Optimal Dispense drawer gives you the convenience of automatically adding HE detergent, liquid chlorine bleach, and liquid fabric softener to the wash load at the proper time. See “Using the Dispenser” for information on using the dispenser drawer.

### A. Optimal Dispense Cartridge

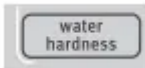
Each dispenser cartridge holds up to 18.5 oz. (550 ml) of liquid HE detergent, enough for up to 36† loads, depending on cycle and detergent concentration. The cartridge fits into compartment (B) of the dispenser drawer for convenient loading.

- Change detergent concentration setting if detergent used is different than factory preset

of 2x concentration. See “About Detergent Concentration.”



- Change water hardness setting if desired level is different than factory preset of Normal.



### B. Powdered High Efficiency “HE” detergent compartment

This compartment holds powdered HE detergent for a single load.

### C. Liquid fabric softener compartment

Automatically dilutes and dispenses liquid fabric softener at the optimum time in the cycle.

- Use only liquid fabric softener in this dispenser.

### D. Liquid chlorine bleach compartment

Automatically dilutes and dispenses liquid chlorine bleach at the optimum time during the first rinse after the wash cycle. This compartment cannot dilute powdered bleach.

## Choosing the Right Detergent

Use only High Efficiency detergents. The package will be marked “HE” or “High Efficiency.” Low-water washing creates excessive sudsing with a non-HE detergent. Using non-HE detergent will likely result in longer cycle times and reduced rinsing performance. It may also result in component failure and, over time, buildup of mold or mildew. HE detergents are low-sudsing and quick-dispersing to produce the right amount of suds for the best performance. They hold soil in suspension so it is not re-deposited onto clean clothes. Follow the manufacturer’s instructions to determine the amount of detergent to use.



Use only High Efficiency (HE) detergent.

## Cycle Status Lights



The Cycle Status Lights show the progress of a cycle. At each stage of the process, you may notice sounds or pauses that are different from traditional washers.

### Low Detergent

This will light if there is enough detergent in the Optimal Dispense cartridge for only a few more cycles.

### Refill Detergent

This will light if there is no detergent in the Optimal Dispense cartridge.

### Door Locked

Door Locked will light to indicate that the door is locked and cannot be opened without first pausing or canceling the cycle.

### Sensing

When START is touched and held, the washer will first perform a self-test on the door lock mechanism and the sensing light will come on. You will hear a click, the drum will make a partial turn, and the door will unlock briefly before locking again.

Once the door has locked the second time, the washer will begin tumbling and adding water. This sensing process will continue throughout the cycle. You may also hear water flowing through the dispenser, adding detergent to the load.

After the load size is sensed, the estimated time based on load size will be displayed. The actual cycle time may be lengthened; however, the display will continue to show the estimated time.

The sensing light will blink once a second at various times during the cycle, such as when the washer is reducing extra suds.

### **Add a Garment**

When Add a Garment is lit, you may pause the washer, open the door, and add items.

### **Steaming**

This will light to show that the cycle is using steam for added cleaning power.

### **Done**

Once the cycle is complete, this light will come on. Remove the load promptly for best results.

## **USING THE OPTIMAL DISPENSE DRAWER**

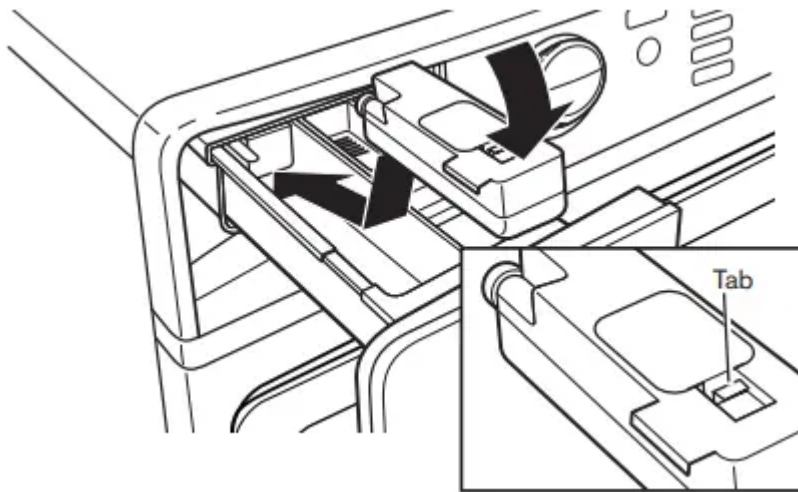
1. Open the dispenser drawer.
2. Add laundry products as described in steps 4–6 in the “Using Your Washer” section.
3. Slowly close the dispenser drawer. Make sure it is completely closed.

### **NOTES:**

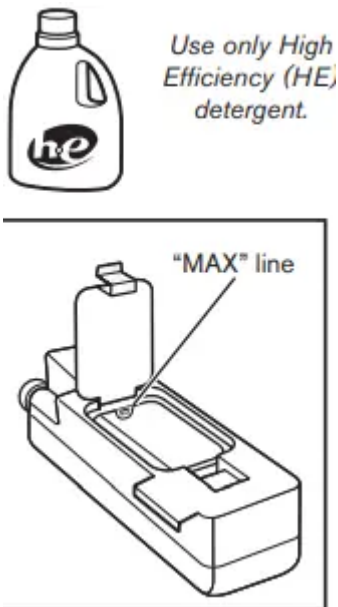
- A small amount of water may remain in the dispensers from the previous wash cycle. This is normal.
- See “About Detergent Concentration” for information on detergent concentration.
- To ensure you have enough detergent in the dispenser, the display will show the detergent level (Low or Refill).

## **Adding HE detergent to dispenser**

### **Optimal Dispense cartridge**



Use only HE High Efficiency liquid detergents. The dispenser cartridge will hold about 18.5 oz. (550 ml) of HE liquid detergent, or enough for up to 36 loads .

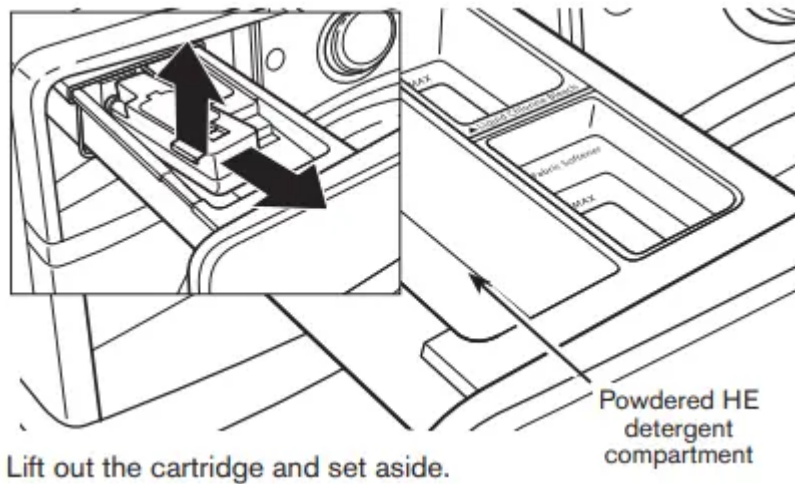


To Fill: Push back on the tab and lift the fill door. Fill to the “MAX” line (see illustration at right) with HE liquid detergent. Close fill door. It will click into place.

To Install the Dispenser Cartridge:

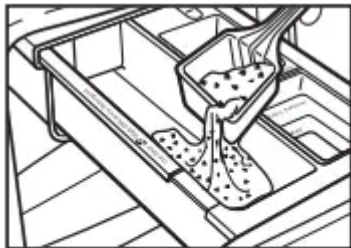
1. Pull out the dispenser drawer.
2. Insert the dispenser cartridge completely in detergent compartment as shown. It should click into position.
3. Slowly slide the dispenser drawer in until it is completely closed. The washer will automatically detect the dispenser cartridge.

### **Adding detergent for a single load**



Powdered HE detergent

Place a measured amount of detergent in the powdered HE detergent compartment



**Powdered detergent:**  
Add directly to the compartment.

Liquid HE detergent

If you frequently alternate between two different liquid HE detergents, you can purchase an additional Optimal Dispense cartridge. See “Accessories” for ordering information.

## USING YOUR WASHER

### First wash cycle without laundry

Before washing clothes for the first time, set up the Load & Go™ bulk dispenser (on some models) or add detergent to the single-dose dispenser (see the “Using the Dispensers” section). Choose

the Regular (what to wash) and Quick (how to wash) cycle and run it without clothes. Use only HE detergent. This initial cycle serves to ensure the interior is clean.

### 1. Sort and prepare your laundry

Sort items by recommended cycle, water temperature, and colorfastness. Separate heavily soiled items from lightly soiled. Separate delicate items from sturdy fabrics. Treat stains promptly and check for colorfastness by testing stain remover products on an inside seam.

IMPORTANT:

- Empty pockets. Loose change, buttons, or any small object can plug pumps and may require a service call.
- Close zippers, fasten hooks, tie strings and sashes, and remove non-washable trim and ornaments.
- Mend rips and tears to avoid further damage to items during washing.
- Turn knits inside out to prevent pilling. Separate lint-takers from lint-givers. Synthetics, knits, and corduroy fabrics will pick up lint from towels, rugs, and chenille fabrics.
- Do not dry garments if stains remain after washing because heat can set stains into fabric.
- Always read and follow fabric care labels and laundry product instructions. Improper usage may cause damage to your garments.

### 2. Add laundry products, if desired

Single-dose laundry packets, Oxi-type boosters, color-safe bleach, or scented crystals can be added to the drum prior to adding laundry. When using single-dose laundry packets, make sure that the bulk dispenser is disabled (on some models) or off (see the “Control Panel and Features” section).

NOTE: Always follow manufacturer’s instructions.

### 3. Load laundry into washer



Place a load of sorted items loosely in the washer. Items need to move freely for best cleaning and to reduce wrinkling and tangling. If using the Wash & Dry option, loading the

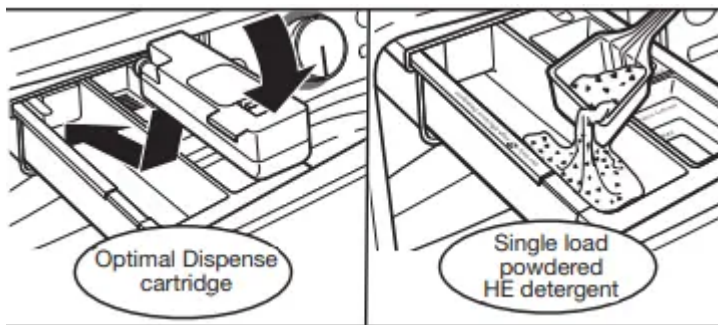
drum half full or less and not interrupting the drying cycle by opening the door will improve drying performance and cycle time. Close the washer door by pushing it firmly until the latch clicks.

- Depending on load type and cycle, the washer can be fully loaded, but not tightly packed. Washer door should close easily. See “Cycle Guide” for loading suggestions.
- Mix large and small items and avoid washing single items. Load evenly.
- Wash small items in mesh garment bags. For multiple items, use more than one bag and fill bags equally.

## USING LAUNDRY PRODUCT DISPENSERS

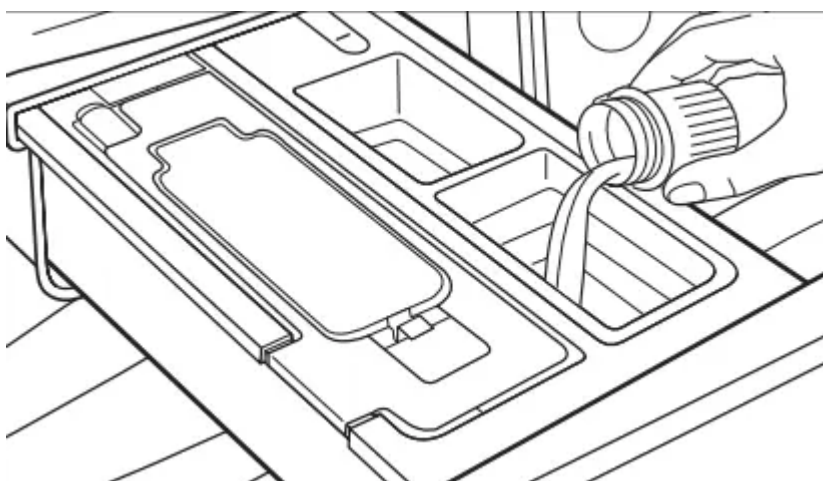
NOTE: Do not add single-dose laundry packets, Oxi-type boosters, color-safe bleach, or fabric softener crystals to dispensers. They will not dispense correctly

### 4. Add HE detergent



Select detergent dispenser, based on type of HE detergent used (either liquid or powdered). See “Using the Optimal Dispenser Drawer” instructions on how to use the dispenser

### 5. Add liquid fabric softener to single load dispenser, if desired

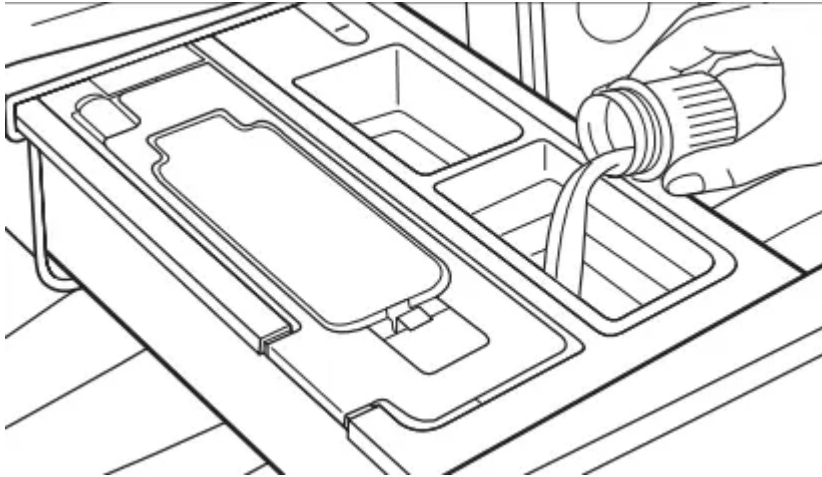


Pour a measured amount of liquid fabric softener into liquid fabric softener compartment. Always follow manufacturer’s directions for correct amount of fabric softener based on your load size. Fabric softener is always dispensed in the last rinse, even if Extra Rinse is selected.

**IMPORTANT:** Do not overfill, dilute, or use more than ¼ cup (60 mL) of fabric softener. Do not fill past the Max line. Overfilling dispenser will cause fabric softener to immediately dispense into washer.

- Do not spill or drip any fabric softener onto the clothes.
- Do not use liquid fabric softener dispenser balls in this washer. They will not dispense correctly

#### **6. Add liquid chlorine bleach to single load dispenser, if desired**



Add liquid chlorine bleach to the bleach compartment. Do not overfill, dilute, or use more than 2/3 cup (165 mL). Do not use color-safe bleach or Oxi in the same cycle with liquid chlorine bleach.

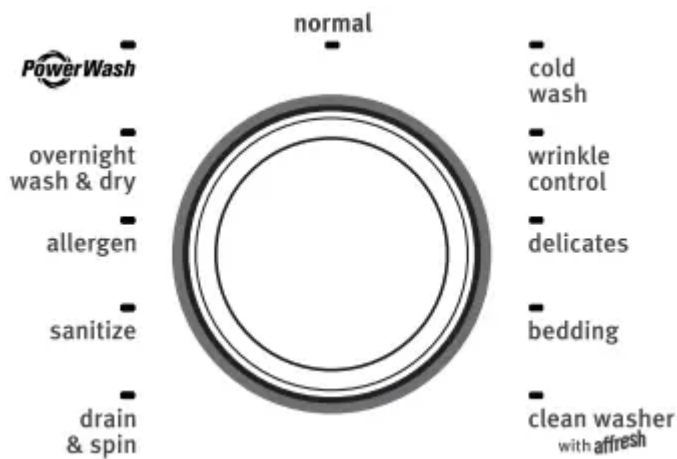
- Always measure liquid chlorine bleach. Use a measuring cup with a pour spout; do not guess.
- Do not fill beyond the “MAX” line. Overfilling could cause garment damage.

#### **7. Touch POWER/CANCEL to turn on washer**



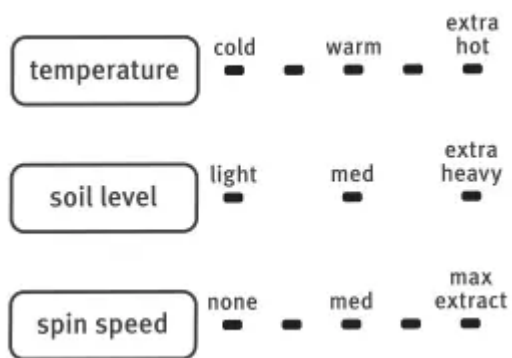
Slowly close the Optimal Dispense drawer. Make sure the drawer is closed completely, then touch POWER/CANCEL to turn on the washer or go to Step 8.

#### **8. Select CYCLE\***



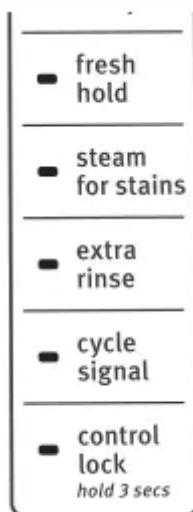
Turn cycle knob to select your wash cycle. See “Cycle Guide” for details on cycle features.

### 9. Adjust settings, if desired\*



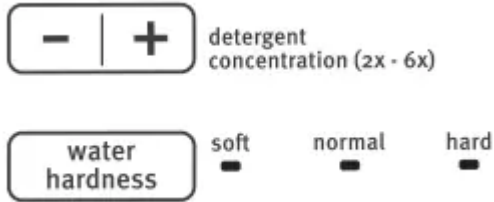
The display will show the default settings for the selected cycle. To adjust a setting, touch its name – Temperature, Soil Level, or Spin Speed. Adjusting settings will change the Estimated Cycle Time. Tightly packing the load, unbalanced loads, or excessive suds may also cause the washer to increase the cycle time.

### 10. Select any additional options\*



To add an option to the cycle, touch its name – Fresh Hold, Steam for Stains, Extra Rinse, Cycle Signal, or Control Lock. To remove an option from the selected cycle, touch the option again.

### 11. Set detergent concentration and water hardness

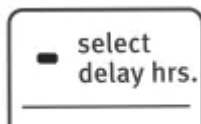


You can adjust the detergent concentration and water hardness settings if needed. Default settings are 2x detergent concentration and normal water hardness. If the detergent concentration is not listed on the package, see “About Detergent Concentration” to calculate the concentration.

To Adjust Dispenser Settings:

1. Touch – or + until the desired concentration appears on the time display.
2. Touch WATER HARDNESS until the desired water hardness appears on the time display.

### 12. Set a delayed wash



If you do not want to begin a cycle immediately, you may choose the Delay Hrs. option. This will delay the start of the wash cycle by up to 12 hours.

To set a delayed wash:

1. Touch SELECT DELAY HRS. to set the desired delay time.
2. Touch and hold START to start the delay countdown. The countdown stops blinking.

### 13. Touch and hold START to begin wash cycle



Touch and hold START for 3 seconds to start the wash cycle. To pause a cycle in progress, touch START once, then touch and hold again to continue the cycle. To cancel a cycle, touch

POWER. Once you touch and hold START, you will hear the door lock, unlock, and lock again. The washer door will remain locked during the wash cycle.

**Unlocking the door to add garments:**

If you need to open the door to add one or two missed garments, you may do so while the “Add Garment” light is lit. The time allowed to add a garment will vary based on cycle selection and load size.

Touch START/PAUSE once; the door will unlock once the washer movement has stopped. This may take several minutes. Then close door and touch and hold START/PAUSE again to restart the cycle.

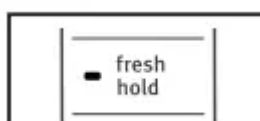


**14. Remove garments promptly after cycle is finished**



Promptly remove garments after cycle has completed to avoid odor and rusting of metal objects on garments. When unloading garments, pull back the door seal and check for small items between the tub and the washer drum.

If you will be unable to remove the load promptly, use the FanFresh® option if it is available on your model. If the FanFresh® option is selected, the washer will automatically activate the fan once the cycle ends and tumble the load periodically for up to 12 hours. After a Wash & Dry cycle, promptly remove garments after cycle has completed to reduce wrinkling.



## NOTES:

- To cancel the FanFresh® option, touch POWER/CANCEL
- This washer has a tight seal to avoid water leaks. To avoid odors, leave the door open to allow the washer to dry between uses.
- A small amount of water may remain in the dispensers after the wash cycle is complete. This is normal.

## WASHER MAINTENANCE

### WASHER CARE

#### Recommendations to Help Keep Your Washer Clean and Performing at Its Best

1. Always use High Efficiency (HE) detergents and follow the HE detergent manufacturer's instructions regarding the amount of HE detergent to use. Never use more than the recommended amount because that may increase the rate at which detergent and soil residue accumulate inside your washer which, in turn, may result in undesirable odor.
2. Use warm or hot water washes sometimes (not exclusively cold water washes) because they do a better job of controlling the rate at which soils and detergent accumulate.
3. Always leave the washer door slightly ajar between uses to help dry out the washer and avoid the buildup of odor-causing residue.

#### Cleaning Your Front Loading Washer

Read these instructions completely before beginning the routine cleaning processes recommended below. This washer maintenance procedure should be performed, at a minimum, once per month or every 30 wash cycles, whichever occurs sooner, to control the rate at which soils and detergent may otherwise accumulate in your washer.

#### Cleaning the Door Seal

1. Open the washer door and remove any clothing or items from the washer.
2. Inspect the gray-colored seal between the door opening and the drum for stained areas, soil buildup, or lint. Pull back the seal to inspect all areas under the seal and to check for foreign objects or lint.
3. If stained areas, soil buildup, or lint are found, wipe down these areas of the seal using either of the following two procedures:
  - a. affresh® Machine Cleaning Wipes Procedure:
    - i. When the cycle is complete, gently pull back the rubber door seal and clean the entire surface with the textured side of an affresh® Machine Cleaning Wipe.
  - b. Dilute Liquid Chlorine Bleach Procedure:

- i. Mix a dilute bleach solution, using 3/4 cup (177 mL) of liquid chlorine bleach and 1 gallon (3.8 L) of warm tap water.
- ii. Wipe the seal area with the dilute solution, using a damp cloth.
- iii. Let stand 5 minutes.
- iv. Wipe down area thoroughly with a dry cloth and let washer interior air dry with door open.

**IMPORTANT:**

- Wear rubber gloves when cleaning with bleach.
- Refer to the bleach manufacturer's instructions for proper use.

### **Cleaning the Inside of the Washer**

This washer has a special cycle that uses higher water volumes in combination with affresh® Washer Cleaner or regular liquid chlorine bleach to thoroughly clean the inside of the washer. Steam washer models also utilize steam to enhance cleaning in this special cycle.

**IMPORTANT:** Do not use thickened, easy-pour, or no-splash bleach when running the Clean Washer with affresh® cycle as excess suds may occur.

**NOTE:** Read these instructions completely before beginning the cleaning process.

### **Begin procedure**

1. affresh® Washer Cleaner Cycle Procedure (Recommended for best performance):
  - a. Open the washer door and remove any clothing or items.
  - b. Add an affresh® Washer Cleaner tablet to the washer drum.
  - c. Do not add the affresh® Washer Cleaner tablet to the dispenser drawer.
  - d. Do not add any detergent or other chemical to the washer when following this procedure.
  - e. Close the washer door.
  - f. Select the CLEAN WASHER cycle.
  - g. Touch and hold START to begin the cycle. The Clean Washer Cycle Operation is described below.

### **2. Chlorine Bleach Procedure:**

- a. Open the washer door and remove any clothing or items.
- b. Open the dispenser drawer and add 1 cup (236 mL) of liquid chlorine bleach to the bleach compartment.

**NOTE:** Use of more liquid chlorine bleach than is recommended above could cause washer damage over time.

- c. Close the washer door and the dispenser drawer.
- d. Do not add any detergent or other chemicals to the washer when following this procedure.

- e. Close the washer door.
- f. Select the Clean/Washer cycle.
- g. Touch and hold START to begin the cycle. The Clean Washer Cycle Operation is described below.

#### **Description of Clean Washer Cycle Operation:**

1. The Clean Washer cycle will determine whether clothing or other items are in the washer.
2. If no items are detected in the washer, it will proceed with the cycle.
  - a. If any items are detected in the washer, “RL” (remove load) will be displayed. The door will unlock. Open washer and remove any garments from the washer drum.
  - b. Touch POWER to clear the “RL” code.
  - c. Touch and hold START/PAUSE to restart the cycle.

After the cycle is complete, leave the door open slightly to allow for better ventilation and drying of the washer interior.

#### **Cancellation of Clean Washer Cycle Operation:**

If the Clean Washer cycle is canceled by the user after it has been initiated, it may take up to 30 minutes for the washer to purge any affresh® Cleaner, chlorine bleach, or other chemistry from the wash system and to adequately rinse any remaining chemistry. The washer door will remain locked until the cancellation process has been completed. This ensures no cleaning chemistry will be carried over to the next wash cycle and reduces the potential for damage to subsequent loads of laundry or to the washer itself.

#### **Clean Washer Cycle Cancellation Procedure:**

1. Touch POWER/CANCEL on the washer once.
2. The washer will begin to drain and rinse away the remaining cleaning chemistry.
3. The cycle will complete the cancellation process in approximately 30 minutes or less.
4. The washer then can be used to either repeat the Clean Washer cycle or to wash laundry using one of the regular wash cycles selected by the user.

#### **Cleaning the Dispensers**

After a period of using your washer, you may find some residue buildup in the washer’s dispensers. To remove residue from the dispensers, remove the drawer and wipe the surfaces with a damp cloth and towel dry either before or after you run the Clean Washer cycle. Use an all-purpose surface cleaner, if needed.

**IMPORTANT:** Dispenser is not dishwasher safe.

#### **Cleaning the Outside of the Washer**

Use a soft, damp cloth or sponge to wipe up any spills. Occasionally wipe the outside of your washer to help keep it looking new. Use mild soap and water.

**IMPORTANT:** To avoid damaging the washer's finish, do not use abrasive products.

### **CLEAN WASHER CYCLE REMINDER**

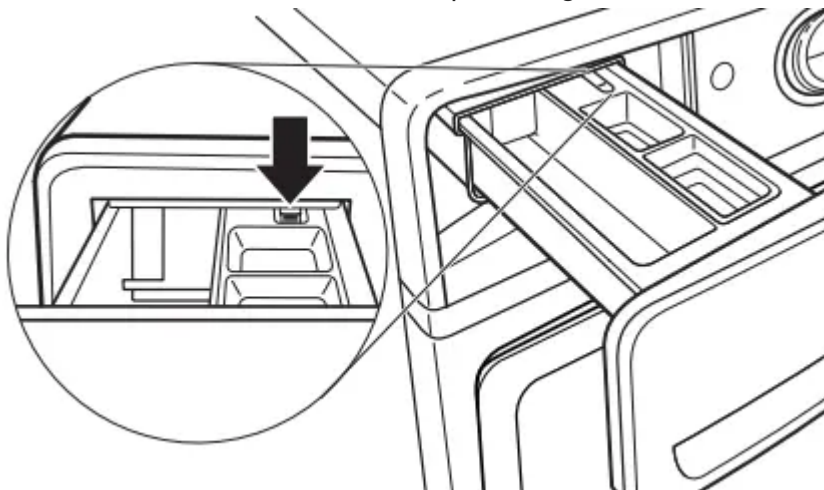
The Clean Washer LED will flash at the end of a wash cycle when the washer has run 30 wash cycles. This is a reminder to run the Clean Washer cycle. If the Clean Washer cycle is not turned on, the LED will stop flashing at the end of a wash cycle after running 3 more regular wash cycles. After 30 more wash cycles are completed, the Clean Washer LED will again flash at the end of a wash cycle as a reminder.



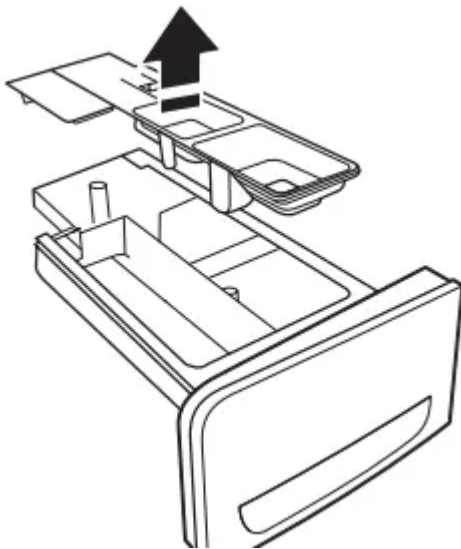
### **REMOVING THE DISPENSER**

To remove:

1. Pull dispenser drawer out until it stops.
2. Press down on the release tab and pull straight out to remove the dispenser.

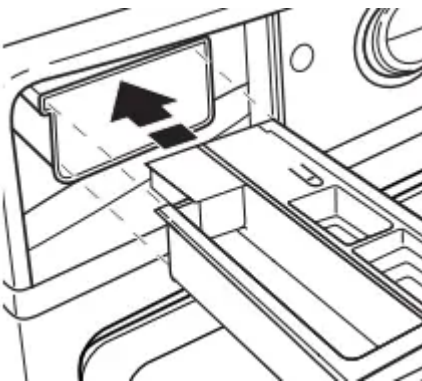


3. Lift off cover panel by pulling straight up.



To replace:

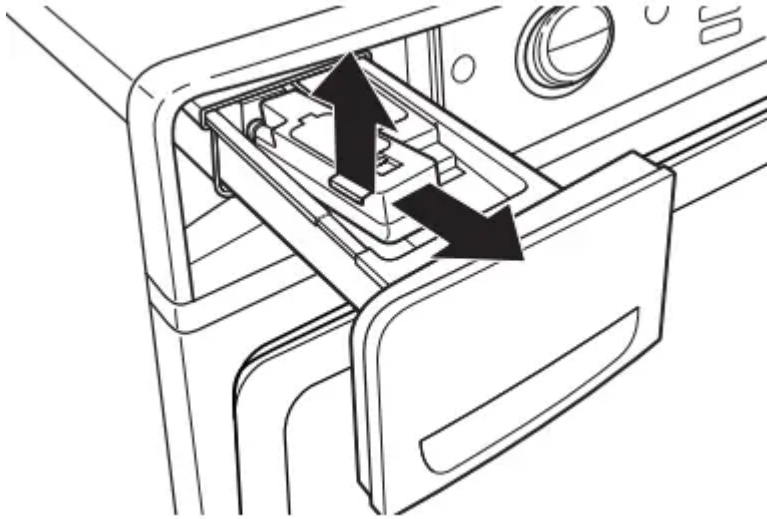
1. Slide cover panel back onto posts on dispenser.
2. Align edges of dispenser with guides in washer; then slide dispenser back into slot.



### **CLEANING OPTIMAL DISPENSE CARTRIDGE**

It is recommended that you rinse out the Optimal Dispense cartridge when changing detergent types or concentrations, or when the washer will not be used for an extended period.

1. Pull the dispenser out until it stops.
2. Lift out the Optimal Dispense cartridge.
3. Lift cover on cartridge and flush interior thoroughly with warm water.
4. Allow to air dry or wipe with a clean, soft towel.



### **NON-USE AND VACATION CARE**

Operate your washer only when you are home. If moving or not using your washer for a period of time, follow these steps:

1. Unplug or disconnect power to washer.
2. Turn off water supply to washer to avoid flooding due to water pressure surges.
3. Clean the dispensers. See "Cleaning the Dispensers."

### **WINTER STORAGE CARE**

**IMPORTANT:** To avoid damage, install and store washer where it will not freeze. Because some water may stay in hoses, freezing can damage washer. If storing or moving during freezing weather, winterize your washer.

#### **To winterize washer:**

1. Shut off both water faucets, then disconnect and drain water inlet hoses.
2. Put 1 qt (1 L) of R.V.-type antifreeze in washer drum and run washer on Normal cycle for about 2 minutes to mix antifreeze and remaining water.
3. Unplug washer or disconnect power.

### **TRANSPORTING YOUR WASHER**

1. Shut off both water faucets. Disconnect and drain water inlet hoses.
2. If washer will be moved during freezing weather, follow "Winter Storage Care" directions before moving.
3. Disconnect drain hose from drain system and from back of washer.
4. Unplug power cord.
5. Place inlet hoses and drain hose inside washer drum.

6. Bundle power cord with a rubber band or cable tie to keep it from hanging onto the ground.

**IMPORTANT:** Call for service to install new transport bolts. Do not reuse transport bolts. Washer must be transported in the upright position. To avoid structural damage to your washer, it must be properly set up for relocation by a certified technician

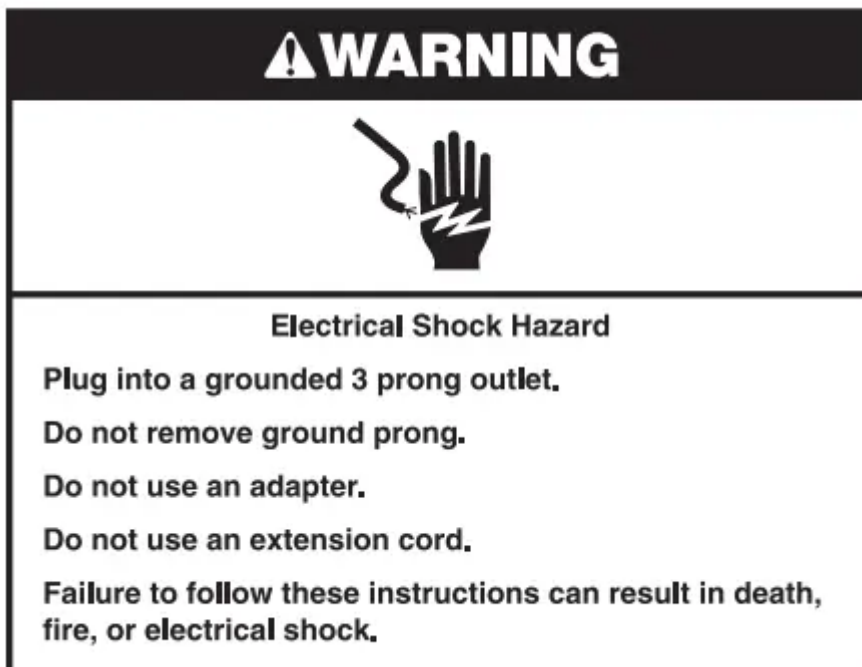
### **REINSTALLING/USING WASHER AGAIN**

To reinstall washer after non-use, vacation, winter storage, or moving:

1. Refer to Installation Instructions to locate, level, and connect washer.
2. Before using again, run washer through the following recommended procedure:

#### **To use washer again:**

1. Flush water pipes and hoses. Reconnect water inlet hoses. Turn on both water faucets.



2. Plug in washer or reconnect power.

3. Run washer through Heavy Duty cycle to clean washer and remove antifreeze, if used. Use only HE detergent. Use half the manufacturer's recommended amount for a medium-size load.

# TROUBLESHOOTING



If you experience	Possible Causes	Solution
<b>Error Code Appears in Display</b>		
Once any possible issues are corrected, touch POWER/CANCEL once to clear the code. Reselect and restart the cycle.		
Sud (Excess suds) appears in display	Excessive suds in washer. Washer is running a suds reduction routine.	Allow the washer to continue. Use only HE detergent. Always measure detergent, and base detergent amount on load size. Follow detergent manufacturer's instructions.
		Touch WATER HARDNESS to change water hardness to "soft"
dEt (Detergent) appears in display	The dispenser cartridge is not detected.	Ensure the dispenser cartridge is inserted correctly. If the dispenser drawer is shut completely. Follow the instructions for the correct number of doses of detergent, ignore this message.
<i>F08</i> followed by <i>E01</i> (water supply error) appears in display	Check for proper water supply.	Both hoses must be attached and have water flowing into the inlet valve.
		Both hot and cold water faucets must be open.
		Inlet valve screens on washer may be clogged.
		Remove any kinks in the inlet hose.
		Touch POWER/CANCEL once to clear the code. Reselect and restart the cycle. If the error appears again, call for service.
<i>F09</i> followed by <i>E01</i> (drain pump system error) appears in display	Check plumbing for correct drain hose installation. Drain hose extends into standpipe farther than <b>4V2"</b> (114 mm).	Check drain hose for proper installation.
		Make sure the drain hose is not kinked, pinched, or blocked.
		Remove any clogs from drain hose.
		Use drain hose form and securely attach to the tub.
		Lower drain hose if the end is higher than 4 feet above the floor.

	Not using HE detergent or using too much HE detergent.	Use only HE detergent. Always measure detergent and follow manufacturer's directions based on soil level.
<i>F05</i> followed by <i>E02</i> (door will not lock) appears in display	Washer door not locking.	Touch POWER/CANCEL to cancel the cycle. Wait until the door is closed completely and latching. Remove items in the washer drum that may be keeping the door from closing completely.
<b>F07</b> followed by <i>E01</i> (motor drive error) appears in display	Motor is having difficulty turning the washer drum.	Washer is tightly packed. Remove some items. Refer to "Cycle Guide" for load size recommendations. Make sure that all shipping materials have been removed. See Installation Instructions.
<b>"RL"</b> (remove load) appears in display	Load detected in drum during Clean Washer with affresh® cycle.	Remove items from washer drum and restart Clean Washer with affresh® cycle.
The three detergent level status lights are lit	Detergent dispenser is not securely in place.	Pull out the dispenser and slide it back in place.
	Detergent Level sensor error.	Touch POWER/CANCEL to reset system. Unplug washer or disconnect power for one minute. Plug in washer or reconnect power.
Washer making error beeps	Door has not been opened and closed for at least 3 cycles.	This code may appear when the washer is not opened and closed. Open and close the door to clear the display.
Washer beeps when START is touched	Door not closed.	Close the door completely.
<b>F## E##</b> code other than as described above appears in display	System error code.	Touch POWER/CANCEL once to clear the display. If the code appears again, touch POWER/CANCEL again to restart wash cycle. If the code appears again, call for service.
<b>"Int"</b> (interrupted) appears in display	The cycle was paused or cancelled.	The washer can take 20 to 30 minutes to spin and drain and will display this error code. Touch POWER/CANCEL once to clear the display. If the code appears again, touch POWER/CANCEL again to restart wash cycle.
Clean Washer LED flashing at end of wash cycle	The washer has run 30 wash cycles and is indicating a reminder to run the Clean Washer cycle.	Run the Clean Washer cycle. If the Clean Washer cycle is not turned on, the LED will stop flashing at the end of the wash cycle after running 3 more regular wash cycles. After 30 more wash cycles are completed,



Washer LED will again flash at the end of  
a reminder.



<b>Vibration or Off-Balance</b>		
Vibration, rocking, or “walking”	Feet may not be in contact with the floor and locked.	Front and rear feet must be in firm contact with the floor. The washer must be level to operate properly. Feet must be tight against the bottom of the cabinet.
	Washer may not be level.	Check floor for flexing or sagging. If flooring is uneven, place a 3/4" (19 mm) piece of plywood under your feet to level the washer and reduce sound.  See “Level the Washer” in Installation Instructions.
	Load could be unbalanced or too large.	Avoid tightly packing the load. Avoid washing heavy items. Balance a single item such as a rug or jeans with other items. Add a few extra items.
		Item or load not suitable for selected cycle. See “Load Capacity” in the User Guide and “Using Your Washer.”
The shipping bolts are still in the back of the washer.	See “Remove transport bolts from washer” in the Installation Instructions.	
<b>Noises</b>		
Clicking or metallic noises	Door locking or unlocking.	The door will lock, unlock, and lock again. This is normal. It takes three clicks after touching and holding START/PAUSE for the door to lock normally.
	Objects caught in washer drain system.	Empty pockets before washing. Loose items such as coins could fall between washer drum and door. This could block pump. It may be necessary to call for service to remove items.  It is normal to hear metal items on clothing such as snaps, buckles, or zippers touch against the steel washer drum.



Gurgling or humming	Washer may be draining water.	The pump may make a humming sound with gurgling or surging as final amounts of water are drained during the spin/ drain cycles. This is normal during the final stages of the cycle.
Rolling or sloshing and occasional clicking (on low-speed spin)	Steel balls in the balancing system are balancing the load.	This is normal at certain stages of the cycle.
<b>Water Leaks</b>		
Check the following for proper installation:	Fill hoses not attached tightly.	Tighten fill-hose connection.
	Fill-hose washers.	Properly seat all four fill-hose flat washers.
	Drain hose connection.	Check that the drain hose is properly secured to the laundry tub.
	Check household plumbing for leaks or clogged sink or drain.	Water can back up out of a clogged sink or drain. Check all household plumbing for leaks (laundry tub, sink, drain pipe, water pipes, and faucets.)
Water or suds leaking from door or rear of cabinet	Not using HE detergent or using too much HE detergent.	Only use HE detergent. Suds from regular detergent can cause leaking from the door or rear of cabinet. Measure detergent and follow manufacturer's instructions based on your load requirements.
	Residue on door glass.	Periodically clean the underside of the glass door to avoid potential leaks.
	Door opened during "Add a Garment."	Water can drip off the inside of the door when the door is opened after the start of a cycle.
<b>Washer not performing as expected</b>		



<p>Load not completely covered in water</p>	<p>Water level not visible on door or does not cover clothes.</p>	<p>This is normal for an HE front load washer senses load sizes and adds the correct amount of water for optimal cleaning.</p>
---	---	--



Washer won't run or fill, washer stops working	Check for proper water supply.	Both hoses must be attached and have water to inlet valve.
		Both hot and cold water faucets must be turned on.
		Check that inlet valve screens have not become clogged.
		Check for any kinks in inlet hoses, which could restrict water flow.
Check proper electrical supply.	Check proper electrical supply.	Plug power cord into a grounded 3-prong electrical outlet.
		Do not use an extension cord.
		Ensure there is power to outlet.
		Check electrical source or call an electrician if outlet voltage is low.
		Reset a tripped circuit breaker. Replace any blown fuses. <b>NOTE:</b> If problems continue, contact an electrician.
Normal washer operation.	Normal washer operation.	Door must be completely closed and latch engaged for washer to run.
		Washer will pause during certain phases of cycle to interrupt cycle.
		The washer pauses for about 2 minutes during certain cycles. Allow the cycle to continue. Some cycles include periods of tumbling and soak.
		Washer may be stopped to reduce suds.
		Cold Wash uses less water in the beginning of cycle to provide a high concentration of detergent for cleaning action. Following this concentrated wash, more water is used to complete the wash.
The washer door is not firmly shut.	The door must be closed during operation.	
Washer not loaded as recommended.	Washer not loaded as recommended.	Remove several items, rearrange load evenly in drum. Close door and touch and hold START/PAUSE button.
		Do not add more than 1 or 2 additional items after cycle has started to avoid tightly packing or unbalanced load.



Do not add more water to the washer.



Washer won't run or fill, washer stops working (cont.)	Not using HE detergent or using too much HE detergent.	Only use HE detergent. Suds from regular slow or stop the washer. Always measure following manufacturer's directions based requirements.
		To remove suds, cancel cycle. Select DRAIN Extra Rinse. Touch and hold START. Do not use detergent.
	Door not opened between cycles.	After any wash cycle is completed, the door is opened and then closed before a new cycle begins.
Washer not draining/spinning, loads are still wet	Drain hose extends into standpipe farther than 4.5" (114 mm).	Check drain hose for proper installation. Unhook and securely attach to drainpipe or tub over drain opening.
	The drain hose is clogged, or the end of the drain hose more than 96" (2.4 m) above the floor.	Lower drain hose if the end is higher than 96" above the floor. Remove any clogs from drain hose. See "Installation Requirements" in Installation Manual.
	The drain hose fits too tightly in the standpipe, or is it taped to the standpipe.	The drain hose should be loose yet fit securely. Do not seal the drain hose with tape. The hose needs to be secured to the standpipe. See "Secure the Drain Hose" in Installation Manual.
	Using cycles with a lower spin speed.	Cycles with lower spin speeds remove less water. Use cycles with high spin speeds. Use the recommended cycle/speed spin for your garment.
	Washer not loaded as recommended.	A tightly packed or unbalanced load may not allow the washer to spin correctly, leaving the load wet. Load should be normal. See "Cycle Guide" for load size recommendations for each cycle.
	The load may be out of balance.	Avoid washing single items. Balance a single item with other items, such as a rug or jeans jacket with a few extra items.



	Not using HE detergent or using too much HE detergent.	Use only HE detergent. Suds from regular using too much detergent can slow or stop spinning. Always measure and follow manufacturer directions for your load. To remove extra suds, select DRAIN & SPIN with Extra Rinse. Do not add more detergent.
	Small items may have been caught in the pump or stuck between the washer drum and the outer tub.	Check the drum for any items sticking through holes. Empty pockets and use garment bags for washing small items.
	There are too many clothes in the Overnight Wash & Dry cycle.	Only use the Overnight Wash & Dry cycle for heavily soiled synthetic garments, athletic uniform wear.
Door locked at end of wash cycle	Water remaining in washer after cycle.	Select DRAIN & SPIN to remove any water from the washer. The washer door will unlock and drain.
	Fresh Hold® option is on.	While this option is on, the fan blows and the drum tumbled periodically for up to 12 hours. The door is locked during this time. To unlock the door, select the Fresh Hold® option by touching POWER/PAUSE.
Door will not unlock	Door locks when cycle has started.	If the "Add a Garment" light is lit, touch START/PAUSE. The door will unlock.
Incorrect or wrong wash or rinse temperatures	Check for proper water supply.	Make sure hot and cold inlet hoses are not kinked or blocked.
		Both hoses must be attached to both wash and have both hot and cold water flowing through them.
		Check that inlet valve screens are not clogged.
		Remove any kinks in hoses.



	Washing many loads.	Your hot water tank may not have enough capacity to keep up with the number of hot or warm washes. This is normal.
Desired setting or option does not light	For best performance, not all settings are available with each cycle, and some options cannot be used together.	See the “Cycle Guide” for the available settings and options for each cycle.



Load not rinsed	Check for proper water supply.	Make sure hot and cold inlet hoses are no
		Both hoses must be attached and have wa the inlet valve.
		Both hot and cold water faucets must be o
		Inlet valve screens on washer may be clog
		Remove any kinks in the inlet hose.
Not using HE detergent or using too much HE detergent.	The suds from non-HE detergent can caus operate incorrectly.	
	Use only HE detergent. Always measure o follow manufacturer's directions based on soil level.	
Washer not loaded as recommended.	Avoid tightly packing the washer. The was rinse well if tightly packed. Load with dry it the "Cycle Guide" for load size recommen cycle.	
	Use cycle designed for the fabrics being w	
	Add only 1 or 2 garments after washer has	
The load may be out of balance.	When load unbalance occurs, a washing p to redistribute the load. This may lengthen Avoid washing single items. Balance a sin as a rug or jeans jacket with a few extra ite	
Load is wrinkled, twisted, or tangled	Washer not loaded as recommended.	Add load loosely. Items need to move free wrinkling and tangling. See the "Cycle Gui recommendations for each cycle.



		Reduce tangling by mixing types of load it recommended cycle for the type of garment washed.
	Wash action and/or spin speed too high for load.	Select a lower spin speed. Note that items than when using a higher speed spin.
	The washer is not unloaded promptly.	Unload the washer as soon as it stops or Hold® option if you will not be able to unload at the end of the cycle.
	Not choosing the right cycle for the load being washed.	Use the Delicates cycle or another cycle speed to reduce wrinkling.
	The wash water was not warm enough to relax wrinkles.	If safe for load, use warm or hot wash water.
Not cleaning or removing stains	Washer not loaded as recommended.	Add load loosely. Items need to move freely for cleaning. See the “Cycle Guide” for load recommendations for each cycle.
		Add only 1 or 2 garments after washer has
	Not using HE detergent or using too much HE detergent.	Use only HE detergent. Always measure and follow manufacturer's directions based on soil level.
	Hard water or high level of iron (rust) in water.	You may need to install a water softener a
	Fabric softener dispensing ball used.	Dispensing balls will not operate correctly washer. Add liquid fabric softener to the fabric compartment.
	Powdered detergent used for low-speed cycle.	Consider using liquid detergent.



Not using correct cycle for fabric type.	Use a higher soil level setting and warmer temperature to improve cleaning.
	If using Overnight Wash & Dry cycle, wash items.
	Use Power Wash cycle for tough cleaning.
	Add an extra rinse for heavily soiled loads.



Not cleaning or removing stains	Not using dispensers.	Use dispensers to avoid chlorine bleach and softener staining.
		Load dispensers before starting a cycle.
		Avoid overfilling.
		Do not add products directly to load.
	Dispense cartridge is empty.	Fill dispense cartridge to the "MAX" line with detergent.
Not washing like colors together.	Wash like colors together and remove promptly after cycle is complete to avoid dye transfer.	
Not enough detergent used, or hard water.	Use more detergent for washing heavy soils in hard water.	
	Touch WATER HARDNESS to change water hardness setting to "hard."	
Odors	Monthly maintenance not done as recommended.	Run the Clean Washer cycle with affresh® "Washer Care" in "Washer Maintenance."
		Unload washer as soon as cycle is complete. Use the Fresh Hold® option if load cannot be removed immediately after the wash is complete.
	Not using HE detergent or using too much HE detergent.	Use only HE detergent. Be sure to measure detergent correctly. Always follow the manufacturer's directions.
See "Washer Care" section.		



	Door not left open after use.	This washer has a tight seal to avoid water leaks. To avoid odors, leave the door open to allow the drum to dry between uses.
Fabric Damage	Sharp items were in pockets during wash cycle.	Empty pockets, zip zippers, and snap or hook fasteners should be removed before washing to avoid snags and tears.
	Strings and straps could have tangled.	Tie all strings and straps before starting wash cycle.
	Items may have been damaged before washing.	Mend rips and broken threads in seams before washing.
	Fabric damage can occur if washer is tightly packed.	Avoid tightly packing the washer. Load with care.
		Use cycle designed for the fabrics being washed.
		Add only 1 or 2 garments after washer has started.
Liquid chlorine bleach may have been added incorrectly.	Do not pour liquid chlorine bleach directly into the drum. Wipe up bleach spills.	
	Undiluted bleach will damage fabrics. Do not use more than recommended by manufacturer.	
Gray whites, dingy colors	Load not sorted properly.	The transfer of dye can occur when mixing colors in a load. Sort dark clothes from whites.
	Wash temperatures too low.	Use hot or warm washes if safe for the load. Make sure your hot water system is adequate to provide the temperature for the wash.
	Not enough detergent used, or hard water.	Use more detergent for washing heavy soils. Use softener for hard water.



Touch WATER HARDNESS to change water  
"hard."



Incorrect dispenser operation	Clogged dispensers or laundry products dispensing too soon.	Do not overfill dispenser. Overfilling causes overflowing and prevents proper dispensing.
		Load dispensers before starting a cycle.
		Homes with low water pressure may result in incomplete dispensing of detergent powder in the dispenser. To avoid, select a higher water temperature if possible, depending on your water heater.
	Liquid chlorine bleach not used in bleach compartment.	Use only liquid chlorine bleach in the bleach compartment.
	Water in dispenser after cycle has finished.	It is normal for small amounts of water to remain in the dispenser at the end of the cycle.
Single-dose laundry packet not dissolving	Adding laundry packet incorrectly.	Be sure laundry packet is added to washer before adding clothes. Do not add packet to dispenser. Follow the manufacturer's instructions to avoid damaging your garments.
Cycle time changes or cycle time too long	Normal washer operation.	The cycle times vary automatically based on water pressure, water temperature, detergent, and load size. The options you select will also affect the cycle time.
	Excessive suds in washer.	When excessive suds are detected, a special rinse cycle automatically starts to remove extra suds and ensure proper rinsing of your garments. This routine may add time to the original cycle.
	Load may be out of balance.	When load unbalance occurs, a washing process automatically starts to redistribute the load. This may lengthen the cycle. Avoid washing single items. Balance a single item, such as a rug or jeans jacket with a few extra items.
	Not using correct cycle for load type.	The Overnight Wash & Dry cycle is designed for small load sizes (3-4 items) of lightly soiled garments. If large loads are washed in this cycle, cycle time is increased.  When using the Overnight Wash & Dry or Overnight Wash & Dry with Extra Rinse cycle, you should wash small loads. This ensures proper rinsing for your garments without increasing cycle time.



**Warning**

This content is compiled from multiple sources and is provided for reference purposes only. It may not be complete or fully applicable to all situations. If you are unable to resolve your issue, please contact the product manufacturer or an authorized service provider for official support.

---

Document generated by [ManualsFile](#)