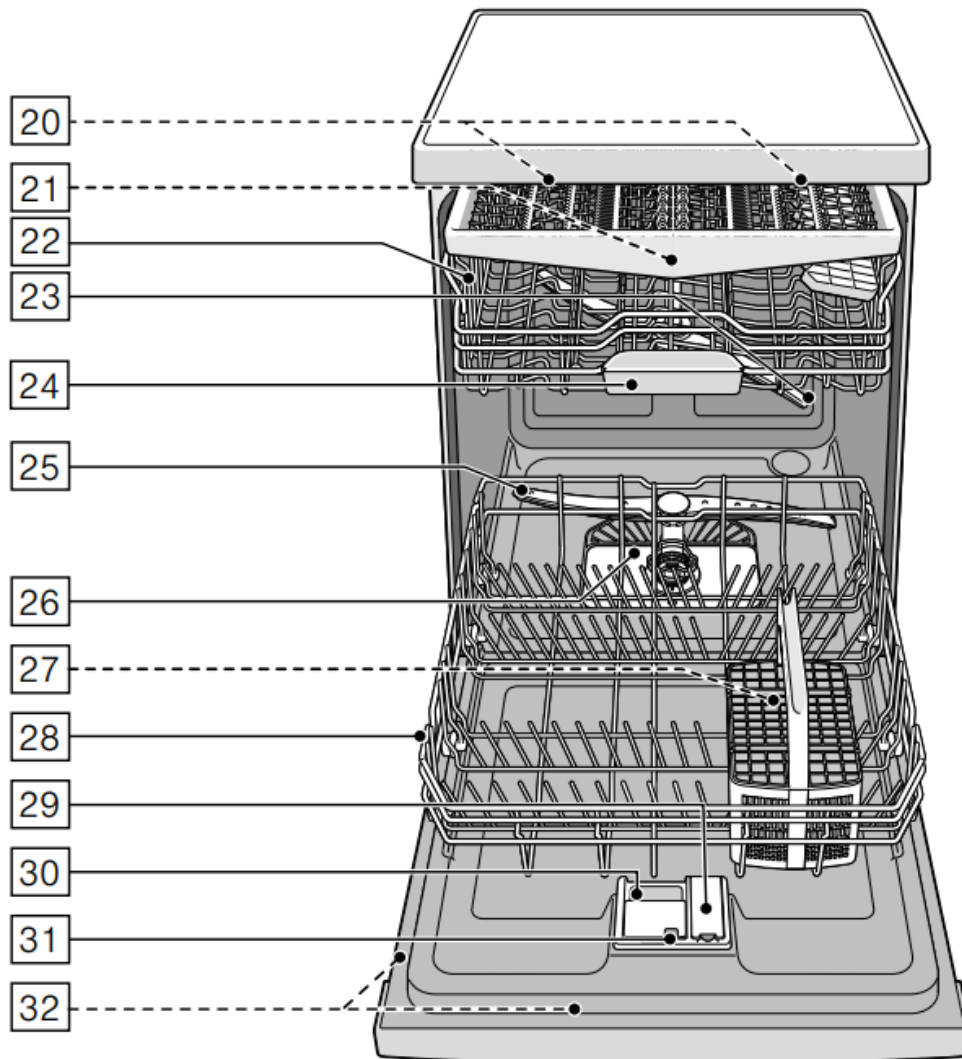
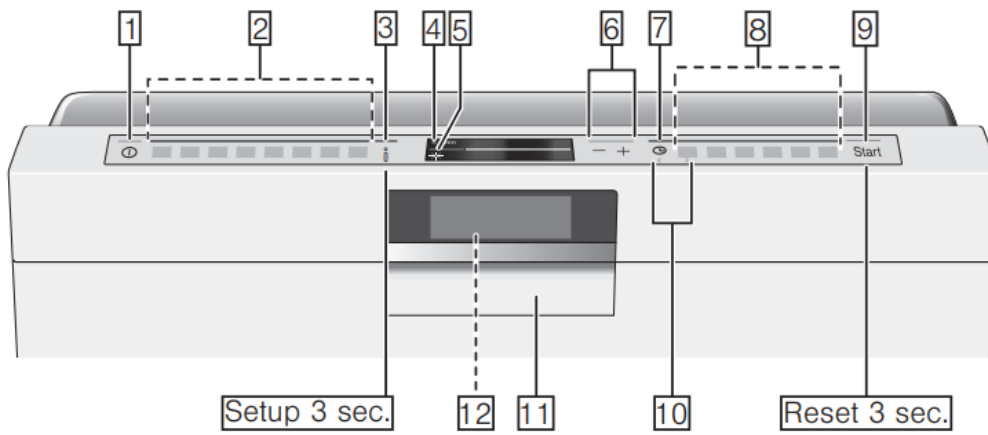



Getting to know your appliance



Diagrams of the control panel and the interior of the appliance can be found at the front of the manual. Individual positions are referred to in the text.

Control panel

1. On/off switch
2. Programme buttons **
3. Info button 
4. Display window at top
5. Rinse aid refill indicator
6. Selection buttons
7. Time preselection
8. Additional functions **
9. START button
10. < > button
11. Door opener
12. Front display *

* depending on the features of your dishwasher

** number depending on the features of your dishwasher


Appliance interior



20. Interior light *
21. Cutlery drawer *
22. Top basket
23. Upper spray arm
24. Tablet collecting tray
25. Lower spray arm
26. Filters
27. Cutlery basket *
28. Bottom basket
29. Dispenser for rinse aid
30. Detergent dispenser
31. Lock for detergent dispenser

32. Rating plate

* depending on the features of your dishwasher

Info button Setup 3 sec.



The Info button  Setup 3 sec. can be used to display additional programme information.

1. Press the Info button  Setup 3 sec. 3.
2. Press the programme button. Information on the selected programme is indicated on the display window at the top 4.
3. To leave, press Info button  Setup 3 sec. 3

Time setting

When the appliance is switched on the for the first time, the time starts at 12:00 o'clock.

Set the time as follows:

1. Open the door.
2. Switch on ON/OFF switch 1.
3. Press Info button  Setup 3 sec. 3 for 3 seconds until the following text is indicated on the display window at the top 4
Scroll with < >
Set with - +
Leave with Setup 3 sec
4. Keep pressing button > 10 until the time setting is indicated on the display window at the top 4.
5. Make the setting with setting buttons + - 6. If the selection buttons + - 6 are held down, the set values are changed in 10-minute steps.
6. Press and hold the Info button  Setup 3 sec. 3 for 3 seconds.



The chosen setting has now been stored.

Operating the appliance

Changing the settings

The dishwasher has been preset with certain settings for your convenience. You can change these factory settings.

Change the setting as follows:

1. Open the door.
2. Switch on ON/OFF switch 1.
3. Press Info button  Setup 3 sec. 3 for 3 seconds until the following text is indicated on the display window at the top 4:
 - Scroll with < >
 - Set with - +
 - Leave with Setup 3 sec.
4. Keep pressing button > 10 until the time setting is indicated on the display window at the top 4.
5. Make the setting with setting buttons + - 6. If the selection buttons + - 6 are held down, the set values are changed in 10-minute steps.
6. Press and hold the Info button  Setup 3 sec. 3 for 3 seconds.

AquaSensor *

* depending on the features of your dishwasher

The Aqua sensor is an optical measuring device (light barrier) which measures the turbidity of the rinsing water.

The AquaSensor is used according to the programme. If the AquaSensor is active, “clean” rinsing water can be transferred to the next rinse bath and water consumption can be reduced by 3–6 litres. If the turbidity is greater, the water is drained and is replaced with fresh water. In the automatic programmes the temperature and running time can also be adjusted to the degree of soiling.

Time display

The running time is determined during the programme by the water temperature, the number of utensils as well as the degree of soiling and may vary (depending on the selected programme). You can change the time display in time or hours/minutes so that the remaining

running time of the rinsing programme appears in the display window “Ready at” (for example 15:20 hours) or “Ready in” (for example 3:25).

Sensor setting

The programme sequence is optimised in Auto programmes with the aid of sensors. The sensors adjust the programme strength of Auto programmes depending on the amount and type of soiling. You can adjust the sensitivity of the sensors in 3 stages.

Standard: This setting is ideal for a mixed load and heavily soiled utensils, but also saves energy and water.

Sensitive: This setting adjusts the programme strength for the effective removal of food remnants, even if the amount of soiling is low. The energy and water consumption is adjusted accordingly.

Very sensitive: This setting adjusts the programme strength for difficult conditions of use, for example firmly dried on food remnants. This setting is recommended if using biological or eco detergents which contain lower amounts of active agents. The energy and water consumption is adjusted accordingly.

extraDry

The final rinse uses a higher temperature which improves the drying result. The running time may increase slightly. (Caution if utensils are delicate!) You can switch the extraDry function on or off.

Switching the appliance on

1. Turn on tap fully.
2. Open the door.
3. Switch on ON/OFF switch 1.

The Eco 45° programme has been preset for environmentally friendly operation whenever the appliance starts. This programme remains selected if no other programme button 2 is pressed.

4. Press START button 10.
5. Close the door.

Programme sequence starts.

Switching off the appliance

Short time after the end of the programme:

1. Open the door.

2. Switch off ON/OFF switch 1.
3. Turn off tap (does not apply to appliances with Aqua-Stop).
4. Remove the utensils when they have cooled down.

Note: When the programme ends, leave the appliance to cool down a while before opening it. This will prevent steam from escaping and causing long-term damage to your built-in furniture.

Interrupting the programme

Caution! Expansion (overpressure) may cause the appliance door to jump open and/or water to escape! If the door was opened on an appliance which has a hot water connection or is heated, always leave the door ajar for several minutes and then close.

1. Open the door.
2. Switch off ON/OFF switch1. The LEDs go out. The programme is saved.
3. To continue the programme, switch on the ON/OFF switch 1 again.
4. Close the door.

Cleaning and maintenance

A regular inspection and maintenance of your machine will help to prevent faults. This saves time and prevents problems.

Overall condition of the machine

- Check rinsing compartment for grease and limescale deposits.

If you find such deposits:

- Fill detergent dispenser 30 with detergent. Start the appliance without utensils in the programme with the highest rinsing temperature.

Clean the appliance with detergents/appliance cleaners which are particularly suitable for use with dishwashers

- To extend the life of your appliance, clean the appliance regularly with a special dishwasher detergent.
- To ensure that the door seal always remains clean and hygienic, regularly clean it with a damp cloth and a little washing-up liquid.
- If the appliance is switched off for a prolonged period, leave the door ajar to prevent the formation of an unpleasant odour.

Never use a steam cleaner to clean your dishwasher. The manufacturer is not liable for any consequential damage.

Regularly wipe the front of the appliance and fascia with a damp cloth; water and a little washing up liquid are adequate. Do not use sponges with a rough surface or abrasive detergents, as these could scratch the surfaces

Stainless steel appliances: To prevent corrosion, avoid using sponge cloths or wash them out thoroughly several times before using for the first time.

Rinse aid

As soon as the refill indicator are lit on the fascia 5 or there is a request in the display window * 12, rinse aid should be topped up.

* depending on the features of your dishwasher

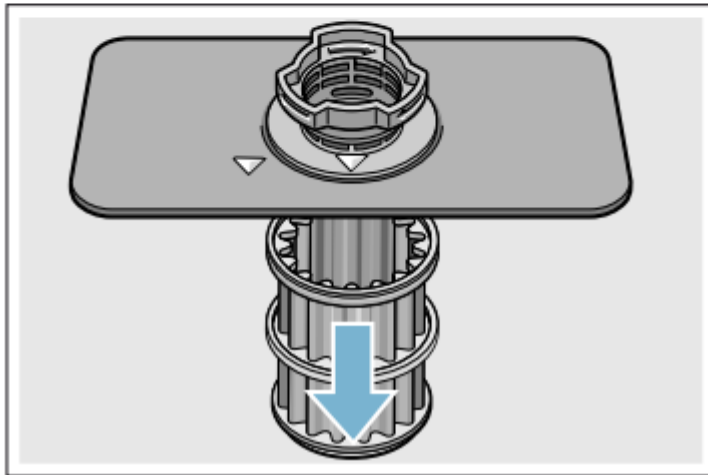
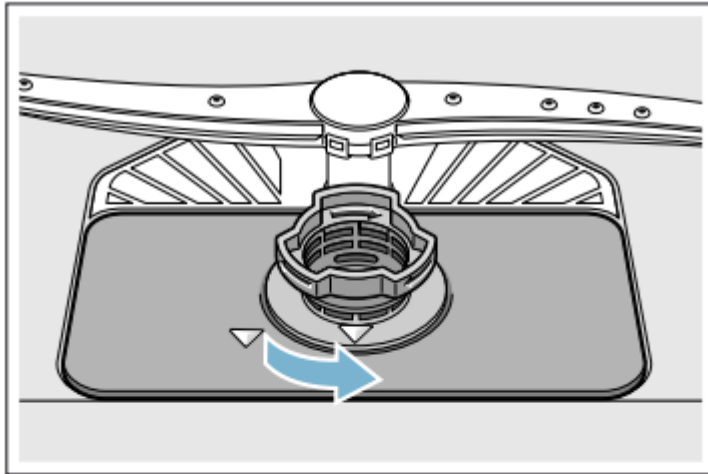
Filters

The filters 26 keep large foreign objects in the rinsing water away from the pump. hese foreign objects may occasionally block the filters.

The filter system consists of

- a coarse filter
- a flat fine filter
- a microfilter

1. After each washing cycle check the filters for residue.
2. Unscrew filter cylinder as illustrated and take out filter system.



3. Remove any residue and clean filters under running water.

4. Re-install filter system in reverse sequence and ensure that the arrow marks are opposite each other after closing the filter system.

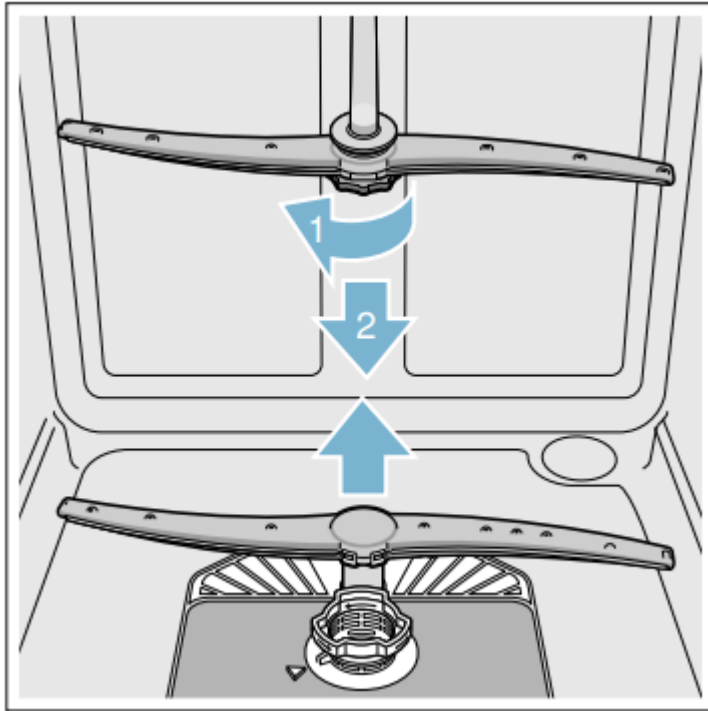
Spray arms

Limescale and contaminants in the rinsing water may block nozzles and bearings on the spray arms 23 and 25.

1. Check outlet nozzles on the spray arms for blockages.

2. Unscrew the upper spray arm 23 (1) and remove downwards (2).

3. Remove the lower spray arm 25 upwards.



4. Clean spray arms under running water.
5. Re-engage or screw on spray arms.

Fault, what to do?

Experience has shown that you can rectify most faults which occur in daily operation yourself. This ensures that the appliance is quickly available to you again. In the following overview you can find possible causes of malfunctions and helpful information for rectifying them.

Note: If the appliance stops during dishwashing or does not start for no obvious reason, first run the Abort programme function (Reset)

Error message

Some faults are indicated at the top of the display window 4 and on the front display * 12 and possible remedies are offered (for example Filter system soiled (E22) -->Clean filters).

* depending on the features of your dishwasher

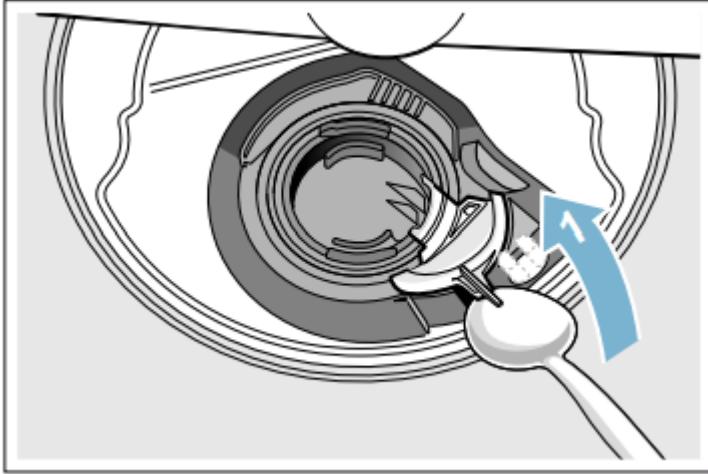
Waste water pump

Large food remnants or foreign objects which were not captured by the filters may block the waste water pump. The rinsing water will then be above the filter

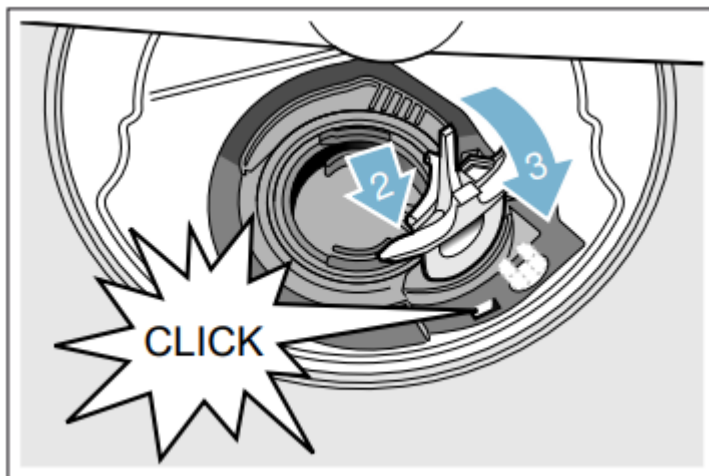
Clean the waste water pump as follows

1. Disconnect the dishwasher from the power supply.
2. Take out top basket 22 and bottom basket 28.

3. Remove the filters 26.
4. Scoop out water, use a sponge if required.
5. Prise off the pump cover (as shown) using a spoon. Grip the pump cover by the crosspiece and lift diagonally inwards (1). Remove cover completely

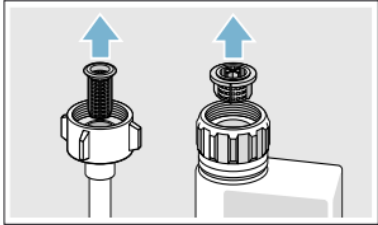


6. Check impeller wheel and remove any foreign objects.
7. Place pump cover in the original position (2) and press down until it engages (3)



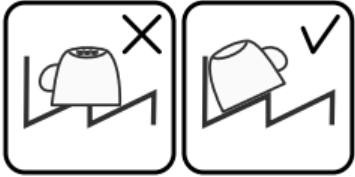
8. Install filters.
9. Re-insert baskets

Fault table

Fault	Cause	Remedial action
Error code E:07 is lit.	Intake opening (on right inside of appliance) covered by utensils.	Arrange utensils so that the intake opening is not obstructed.
Error code E:12 is lit.	Heating element calcified or soiled.	Clean appliance with dishwasher cleaning agent or descaler. Operate the dishwasher with water softening system and check the setting.
Error code E:18 is lit.	Supply hose kinked.	Install supply hose without kinks.
	Tap turned off.	Turn on the tap.
	Tap jammed or calcified.	Turn on the tap. Flow rate must be min. 10 l/min. when water supply is open.
	Filter in the water supply blocked.	<p>Switch off the appliance and pull out the mains plug. Turn off the tap. Unscrew water connection.</p>  <p>Clean filter in the supply hose. Screw water connection on again. Check for leaks. Reconnect power supply. Switch on the appliance.</p>

Error code E:22 is lit.	Filters 26 are soiled or blocked.	Clean filters. — <i>"Filters" on page 33</i>
Error code E:24 is lit.	Waste-water hose kinked or blocked.	Install hose without kinks, remove any residue.
	Siphon connection still sealed.	Check connection to siphon and open if required.
	Cover on the waste water pump loose.	Lock cover correctly.
Error code E:25 is lit.	Waste water pump blocked or cover on the waste water pump is not locked in position.	Clean pump and lock cover correctly.
Error code E:27 is lit.	Mains voltage too low.	Not an appliance fault, have the mains voltage and electrical installation checked.

<p>A different error code is indicated on the digital display.</p> <p>(E-D 1 to E-30)</p>	<p>A technical fault has probably occurred.</p>	<p>Switch off appliances with the ON/OFF switch 1. After a short time restart the appliance.</p> <p>If the problem recurs, turn off the tap and pull out the mains plug.</p> <p>Call customer service and mention the error code.</p>
<p>Refill indicator for rinse-aid 5 is lit.</p>	<p>No rinse aid.</p>	<p>Refill rinse aid.</p>
<p>Refill indicator for rinse-aid 5 is not lit.</p>	<p>Refill indicator switched off.</p>	<p>Activation/deactivation.</p>
	<p>There is still enough rinse aid available.</p>	<p>Check refill indicator, levels.</p>
<p>Water is left in the appliance at the end of the programme.</p>	<p>Filter system or area under the filters 26 is blocked.</p>	<p>Clean filters and area underneath.</p>
	<p>Program has not ended yet.</p>	<p>Wait until programme ends or reset.</p>
<p>Utensils not dry.</p>	<p>No or too little rinse aid in the dispenser.</p>	<p>Refill rinse aid.</p>
	<p>Programme selected without drying.</p>	<p>Select programme with drying.</p>
	<p>Water collecting in depressions on the utensils and cutlery.</p>	<p>Arrange utensils in a sloping position, arrange affected utensils as sloping as possible</p>

		
	The combined detergent used has a poor drying performance	Use different combination detergent with better drying performance. Use of rinse aid also increases the drying performance.
	ExtraDry to increase drying not activated.	Activate ExtraDry.
	Utensils were removed too early or drying process had not ended yet.	Wait until program ends or wait until 30 min after program ends before removing utensils.
	The eco rinse aid used has a limited drying performance.	Use a proprietary rinse aid. Eco products may have limited effectiveness.
Plastic utensils not dry.	Special properties of plastic.	Plastic has a lower heat storage capacity and therefore dries less well.

Cutlery not dry.	Cutlery not arranged properly in the cutlery basket.	Separate cutlery if possible, prevent contact points.
	Cutlery not arranged properly in the cutlery drawer.	Arrange cutlery properly and separate if possible.
Appliance interior wet after rinse cycle.	No appliance fault	On account of the "Condensation drying" principle, water droplets are physically induced and required in the container. The humidity in the air condenses on the inner walls of the dishwasher, drains and is pumped out.
Food remnants on the utensils.	Utensils placed too closely together, utensils basket overfilled.	Arrange utensils with adequate clearance between them ensuring that the spray jets can reach the surface of the utensils. Prevent contact points.
	Spray arm rotation obstructed.	Arrange utensils so that the spray arm can rotate without obstruction.
	Spray arm nozzles are blocked.	Clean the spray arm nozzles.
	Filters 26 dirty.	Clean filters.
	Filters 26 inserted incorrectly and/or not engaged.	Insert and engage filters correctly.
	Rinse programme too weak.	Select a more intensive rinse programme. Increase sensitivity of the sensors.
	Utensils precleaned too intensely; sensors therefore decide on weak	Do not prerinse utensils. Remove only large food remnants.

<p>programme sequence. Stubborn soiling cannot be completely removed.</p>	<p>Increase sensitivity of the sensors. — <i>"Sensor setting" on page 29</i> Recommended programme Intensive.</p>
<p>Tall narrow receptacles in corner areas are not rinsed adequately.</p>	<p>Do not place hollow receptacles too obliquely and do not place in the corner area.</p>
<p>Top basket 22 on right and left not set to same height.</p>	<p>Set top basket to same height using side levers.</p>



Detergent residue.	Detergent dispenser cover 30 blocked by utensils and therefore does not open fully.	Utensils must not be placed above the tablet collecting tray 24. These may block the lid of the detergent dispenser and prevent it from opening fully. Do not place utensils or fragrance dispenser in the tablet collecting tray.
	Detergent dispenser cover 30 blocked by the tablet.	Tablet must be inserted flat and not upright.
	Tablets used in the quick or short programme. Dissolving time of the detergent is not reached in the selected short programme.	Dissolving time of tablets too long for a quick or short programme. Use a detergent powder or select a more intensive programme.
	Washing effect and dissolving performance are reduced after a prolonged storage time or detergent is very lumpy.	Change detergent.
Water stains on plastic parts.	Droplet formation on plastic surface is physically unavoidable. After drying, water stains are visible.	Use a more intensive programme (more water changes). Arrange utensils in a sloping position. Use rinse aid.
Washable or water-soluble coatings in the container or on the door.	Detergent substances are deposited. These coatings cannot usually be removed with chemicals (appliance cleaner, ...).	Change detergent brand. Clean appliance mechanically.

	Only for glasses: Initial glass corrosion - can only apparently be wiped off.	See "Glass and utensil damage"
White, stubborn coatings; limescale on the utensils, container or door.	Detergent substances are deposited. These coatings cannot usually be removed with chemicals (appliance cleaner, ...).	Change detergent brand. Clean appliance mechanically.
	Underdosing of detergent.	Increase detergent dosage or change detergent.
	Too weak rinse programme selected.	Select a more intensive rinse programme.

Tea or lipstick residue on the utensils.	Too low rinsing temperature.	Select programme with higher washing temperature.
	Too little or unsuitable detergent.	Use suitable detergent at correct dosage.
	Utensils precleaned too intensely; sensors therefore decide on weak programme sequence. Stubborn soiling cannot be completely removed.	Do not prerinse utensils. Remove only large food remnants. Increase sensitivity of the sensors.
Coloured (blue, yellow, brown), difficult to remove to non-removable coatings in the appliance or on stainless steel utensils.	Film formation consisting of ingredients from vegetables (e.g. cabbage, celery, potatoes, noodles, ...) or the tap water (e.g. manganese).	Can be partly removed with machine cleaner or by mechanical cleaning. Coatings are harmless.
	Film formation caused by metallic components on silver or aluminium utensils.	Can be partly removed with machine cleaner or by mechanical cleaning.
Discolouration of the plastic parts inside the appliance.	Plastic parts inside the appliance may become discoloured during the service life of the dishwasher.	Discolouration is normal and will not impair the function of the dishwasher.
Plastic parts discoloured.	Too low rinsing temperature.	Select programme with higher washing temperature.

	<p>Utensils precleaned too intensely; sensors therefore decide on weak programme sequence. Stubborn soiling cannot be completely removed.</p>	<p>Do not prerinse utensils. Remove only large food remnants.</p> <p>Increase sensitivity of the sensors.</p>
<p>Removable streaks on glasses, glasses with metallic appearance and cutlery.</p>	<p>Too much rinse aid.</p>	<p>Set rinse aid amount to lower setting.</p>
	<p>No rinse aid added or setting too low.</p>	<p>Add rinse aid and check dosage (recommended setting 4-5).</p>
	<p>Detergent residue in the final rinse programme section. Detergent dispenser cover blocked by utensils (cover does not open fully).</p>	<p>Detergent dispenser cover must not be obstructed by utensils.</p> <p>Do not place utensils or fragrance dispenser in the tablet collecting tray.</p>
	<p>Utensils precleaned too intensely; sensors therefore decide on weak programme sequence. Stubborn soiling cannot be completely removed.</p>	<p>Do not prerinse utensils. Remove only large food remnants.</p> <p>Increase sensitivity of the sensors.</p>

Initial or existing, irreversible clouding of glass.	Glasses not dishwasher-proof, only suitable for dishwasher.	Use dishwasher-proof glasses. Avoid long steam phase (standing time after wash cycle ends). Use wash cycle at lower temperature. Use detergent with glass protection component.
Rust spots on the cutlery.	Cutlery not adequately rust-resistant. Knife blades are frequently more severely affected.	Use corrosion-resistant cutlery.
	Cutlery will also rust if rusting parts are rinsed at the same time (pan handles, damaged utensil baskets, etc.).	Do not wash rusting parts.
Appliance cannot be switched on or operated.	Malfunction.	Disconnect appliance from the power supply; pull out the mains plug or switch off the fuse. Wait at least 5 seconds, then connect the appliance to the power supply.
Appliance does not start.	The mains fuse has tripped.	Check mains fuse.
	Power cord not inserted.	Ensure that the power cord is plugged all the way into the back of the appliance and into the socket. Check that the socket functions.
	The appliance door has not been shut properly.	Close the door.
Programme starts automatically.	You did not wait until programme ended.	Perform reset.
	Child lock is activated.	Deactivate the child lock.

The door is difficult to open.		
Door cannot be closed.	Door lock has been activated.	Close door with increased force.
	Door cannot be closed due to installation.	Check appliance installation: Door or attached parts must close without obstruction.
Cover on the detergent dispenser cannot be closed.	Detergent dispenser or cover guide blocked by sticky detergent residue.	Remove detergent residue.
Detergent residue in the detergent dispenser 30 or in the tablet collecting tray 24.	Spray arms blocked by utensils, therefore detergent is not rinsed out.	Ensure that the spray arms can rotate freely.
	The detergent dispenser was damp when filled.	Pour detergent into the dry detergent dispenser only.

Appliance stops in the programme or programme is interrupted.	Door not closed properly.	Close the door.
	Do not place utensils or fragrance dispenser in the tablet collecting tray. Top basket presses against the door and prevents door from being closed securely.	Check whether rear panel is being pressed in, e.g. by socket or by hose holder which has not been removed.
	Power and/or water supply interrupted.	Restore power and/or water supply.
Filling valves making striking noises.	Depends on domestic installation, as appliance is not defective. No effect on appliance function.	No remedial action possible.
Knocking or rattling noise.	Spray arm strikes the utensils, utensils not positioned correctly.	Position utensils so that the spray arms do not strike the utensils.
	If there is a low load, the water jets strike the washing tank directly.	Load the appliance with more utensils or distribute the utensils more evenly in the dishwasher.
	Light utensils move during the wash cycle.	Arrange light utensils securely.
Unusual foam formation.	Handwash liquid in the rinse aid dispenser.	Immediately refill rinse aid dispenser with rinse aid.
	Rinse aid spilled.	Remove rinse aid with a cloth.

Warning

This content is compiled from multiple sources and is provided for reference purposes only. It may not be complete or fully applicable to all situations. If you are unable to resolve your issue, please contact the product manufacturer or an authorized service provider for official support.

Document generated by [ManualsFile](#)

