

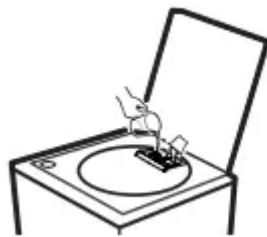
USING THE WASHER

Getting started

WARNING: To reduce the risk of fire, electric shock, or injury to persons, read the **IMPORTANT SAFETY INFORMATION** before operating this appliance.

Throughout this manual, features and appearance may vary from your model.

Step 1



- Add fabric softener to the fabric softener dispenser. **IMPORTANT:** See the specific dispenser section in this manual for your model.
- If using detergent packets, add to the bottom of the wash basket before adding clothes

Step 2



- Loosely add items around agitator or Infusor. Overloading may negatively impact wash performance. See page 16 for suggested loading examples.
- Add the manufacturer's recommended amount of detergent to the top of the load after adding clothes. We recommend the use of High Efficiency detergents such as in your energy efficient washer.

Step 3

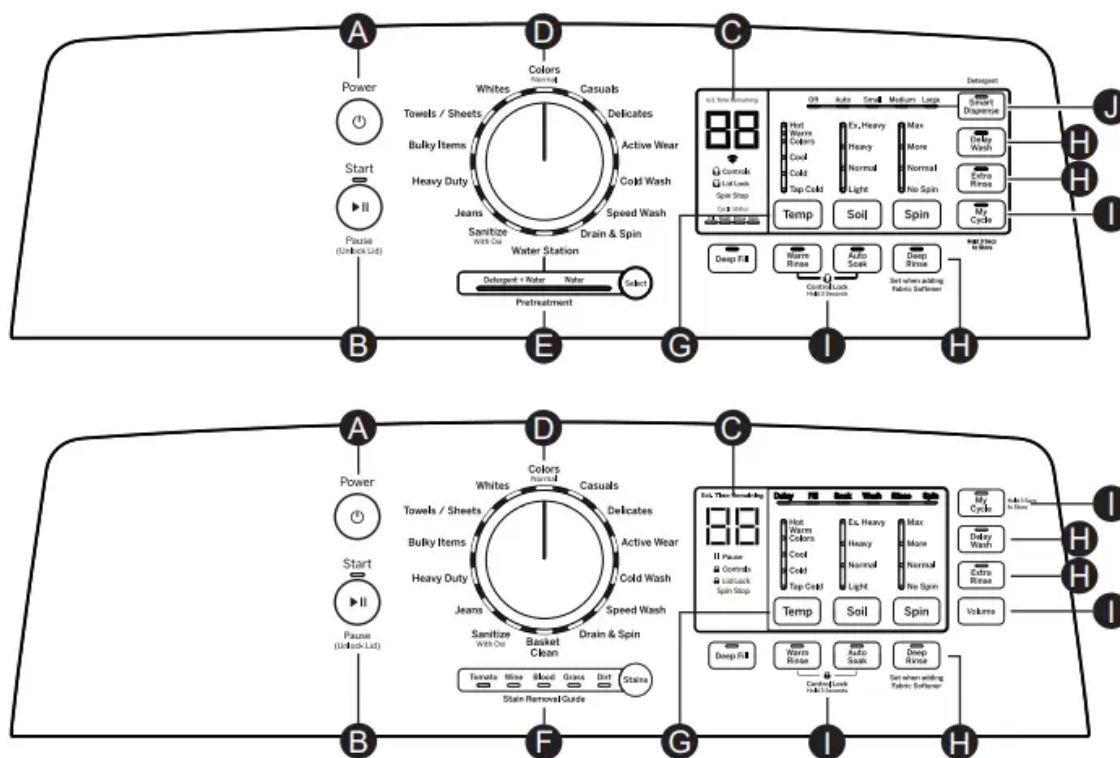


- Close lid. NOTE: Unit will not start with lid open if Precise Fill is selected except on Bulky Items cycle.
- Select wash cycle.
- Select wash options, including Deep Rinse (on some models) option when using fabric softener.
- Select options.

Step 4



- Press Start.



A Power Press to “wake up” the display. If the display is active, press to put the washer into idle mode. NOTE: Pressing Power does not disconnect the appliance from the power supply



B Start/Pause

- Press Start to begin the cycle. NOTE: Unless Bulky Items cycle is selected, the lid must be closed for the washer to start cycle. If the lid is open, "Lid" will scroll across the display. During the load sensing portion of the cycle, the lid will lock and "SEnSing" will scroll across the display. When load sensing is complete, the lid will unlock. Pressing Pause will unlock the lid (if locked at that time), pause the cycle and the Start indicator light will blink.
- To continue the cycle, press Start again. If water remains in the machine, select the Drain & Spin cycle to drain basket and spin water out of the washer basket. NOTE: Machine will automatically cancel and drain when water is present and the lid is left open for 15 minutes or the unit is left in a paused state for 24 hours with the lid closed. Select cycle and press Start to begin new cycle.

Display and Status Lights

- Display: The display shows the approximate time remaining until the end of the cycle. NOTE: The cycle time is affected by how long it takes the washer to fill. This depends on the water pressure in your home. The size of the load being washed also significantly impacts cycle time, with larger loads taking longer.
- In addition, this display will, "scroll" the washer status:
 - bALAnCINg Start of rebalancing cycle to redistribute clothes. Stops after rebalancing is complete.
 - dELAY When Delay Wash is initiated. Replaced with estimated time when cycle starts.
 - End End of current cycle.
 - FILL "FILL" will scroll across display for the first 45 seconds of fill, afterwards the estimated end of cycle time is displayed.
 - H2O SUPPLY Can not sense water level (valves possibly turned off).
 - Lid Cycle stopped because lid is open. Close the lid.
 - SEnSing Sensing load size and type before and during fill (normal).
 - PAUSE
- Cycle paused because the Start/Pause button was pressed and the washer was set to Pause. Press Start button again to restart the cycle. Cycle status lights: Shows whether the washer is in the Delay, Fill, Soak (on some models), Wash, Rinse or Spin portion of the cycle. If an out-of-balance condition is detected by the washer, the Spin light will blink during the remaining portion of the cycle and will stay illuminated for a short time after cycle completion. When this occurs, the washer is taking actions to correct the out-of-balance condition and complete the cycle normally. In some cases, the washer may not be able to balance the load and spin up to full speed.

- If you notice the load is more wet than normal at the end of the cycle, redistribute the load evenly in the wash basket and run a Drain & Spin cycle.

Feature status lights indicate (see sections F and G for more details):

|| Pause - Will display when washer is paused between cycles.

🔒 Controls - The washer is locked - will blink once if you press any button or turn the cycle knob.

🔒 Lid Lock - The lid is locked. See the **Control Lock** description.

📶 WiFi (on some models) - Will display when washer is connected via WiFi. Will blink when you are attempting to connect your device to your home WiFi.

Spin Stop - Indicates wash basket is coasting to a stop following spin. Lid will not unlock until basket has fully come to a stop.

Consumer Help Indicator: Your washer is equipped with Consumer Help Indicator (CHI). CHI is our way to communicate a simple remedy for some situations that you can perform without the need to call for service. The chart below describes the helpful messages you may notice scrolling on your display when you return to start another load. These messages will provide simple remedies you can quickly perform.

- **Spin light blinking:** If an out-of-balance condition is detected by the washer, the Spin light will blink during the remaining portion of the cycle and will stay illuminated for a short time after cycle completion. When this occurs, the washer is taking actions to correct the out-of-balance condition and complete the cycle normally. In some cases, the washer may not be able to balance the load and spin up to full speed. If you notice the load is more wet than normal at the end of the cycle, redistribute the load evenly in the wash basket and run a Drain & Spin cycle.
- **“H2O SUPPLY” (Water not entering washer):** Check your house water supply. Did you forget to turn on one or both supply valves after installation or coming back from vacation? As soon as the message starts to scroll, the washer will initiate a 4 minute lockout period. The washer controls won’t respond/change during this time. After the 4 minutes, you can begin your cycle again. If you try to bypass the lock-out period by unplugging the washer, the 4 minute timer will start over again.
- **“CAnCELEd”:** “CAnCELEd” may scroll on the display if the machine was paused for longer than 24 hours or if the machine has stopped itself before the cycle completed due to certain errors. As soon as the message starts to scroll, the washer will initiate a 4 minute lock-out period. The washer controls won’t respond/change during this time. After the 4 minute period, you can begin your cycle again. If you try to bypass the lock-out period by unplugging the washer, the 4 minute timer will start over again. If the problem persists, call GE Appliances at 800. GE.CARES (800.432.2737) for service.
- **“Lid”:** “Lid” will be shown on display if 3 cycles have been started without opening the lid. The washer will not start another cycle until the lid is opened. Try opening, then closing the lid and starting a new cycle. If the problem persists, call GE Appliances at 800.GE.CARES (800.432.2737) for service.

Wash Cycles-Cycle Selector Knob

- The wash cycle controls the type of washing process. The cycle selector knob can be turned in either direction. Turning the knob after starting a cycle will stop the washer and change the cycle/options to the new selection. Press Start to begin the new cycle selection.
- The chart below will help you match the items to be washed with the best wash cycle settings. For optimal performance, select the cycle that most closely matches the items being washed. Selections and options shown in bold are the recommended settings for that cycle. Some cycles and options may not be available on some models.

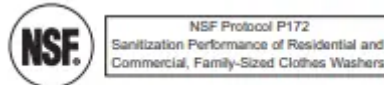
Items to Wash	Cycle	Wash Temp	Soil Level	Spin Selection (Duration)	Options Available	Cycle Details
Cycle for normal, regular, or typical use for washing up to a full load of normally soiled cotton clothing.	Colors	Hot Warm Colors Cool Cold Tap Cold	Ex. Heavy Heavy Normal Light	Max More Normal No Spin	Stain Removal Guide Warm Rinse Auto Soak Deep Rinse Delay Wash Extra Rinse	Cycle for normal, regular, or typical use for washing up to a full load of normally soiled cotton clothing. Choose the Heavy or Extra Heavy soil level selection and Warm or Hot water temperature selection as appropriate for your clothes load for a higher degree of cleaning. Incorporates multi-stage fills and wash periods to provide optimal fabric care.
Casual clothes, lightly soiled office wear.	Casuals	Hot Warm Colors Cool Cold Tap Cold	Ex. Heavy Heavy Normal Light	Max More Normal No Spin	Stain Removal Guide Deep Fill Warm Rinse Auto Soak Deep Rinse Delay Wash Extra Rinse	Wash cycle tailored to care for casual clothes and office wear items.
Lingerie and special care fabrics with light soil. Water-resistant, bedding and bulky items, such as large coats, mattress pads, and bath mats.	Delicates	Hot Warm Colors Cool Cold Tap Cold	Ex. Heavy Heavy Normal Light	Max More Normal No Spin	Stain Removal Guide Deep Fill Warm Rinse Auto Soak Deep Rinse Delay Wash Extra Rinse	Utilizes a unique "tri-pulse" extra gentle agitate profile and a low spin speed to provide special care to delicate fabrics. It is recommended to place small or ultra delicate items in mesh bags before washing.
Medium to lightly soiled athletic wear items of technical or synthetic fabrics.	Active Wear	Hot Warm Colors Cool Cold Tap Cold	Ex. Heavy Heavy Normal Light	Max More Normal No Spin	Stain Removal Guide Deep Fill Warm Rinse Auto Soak Deep Rinse Delay Wash Extra Rinse	Cycle designed for care of medium to lightly soiled active wear, athletic wear, and technical fabrics. Incorporates a dual stage wash period with soak to effectively treat body soils and odors. Use the Heavy Duty cycle for heavily soiled sports clothing constructed of sturdy fabric.
Dark colored fabrics and mixed loads.	Cold Wash	Hot Warm Colors Cool Cold Tap Cold	Ex. Heavy Heavy Normal Light	Max More Normal No Spin	Stain Removal Guide Deep Fill Auto Soak Deep Rinse Delay Wash Extra Rinse	Cycle combines multiple wash agitation periods with soak periods to provide enhanced cleaning performance and energy efficiency with colder water temperatures.
Small loads of lightly soiled items that are needed in a hurry. Examples include one casual wear outfit or 3 soccer uniforms.	Speed Wash	Hot Warm Colors Cool Cold Tap Cold	Ex. Heavy Heavy Normal Light	Max More Normal No Spin	Stain Removal Guide Deep Fill Warm Rinse Auto Soak Deep Rinse Delay Wash Extra Rinse	Utilizes more intense agitation profile, expedited wash period, and time saving continuous spray rinse to clean small lightly soiled loads in the fastest time possible.
Wet load of items. For items that need only to be rinsed, use this cycle with Deep Rinse option.	Drain & Spin			Max More Normal No Spin	Deep Rinse Extra Rinse	Utilizes a high speed spin to extract water from wet items. For items that need to be rinsed, select the Deep Rinse option when using this cycle.

Items to Wash	Cycle	Wash Temp	Soil Level	Spin Selection (Duration)	Options Available	Cycle Details
Cleaning the basket of residue and odor. No clothes to be washed using this cycle.	Basket Clean	Hot	Ex. Heavy	Normal	Deep Fill Deep Rinse	Recommended use of at least once per month. Never load laundry when using this cycle; laundry may become damaged or contaminated. Cycle incorporates a hot deep wash, intense agitation action, a dispenser purge (on some models), and a deep rinse.
Heavily soiled colorfast items.	Sanitize with Oxi*	Hot	Ex. Heavy	Max More	Warm Rinse Auto Soak Deep Rinse Delay Wash Extra Rinse	Cycle uses an initial lower water fill for super concentrated, high temperature sanitization followed by a heavy wash step. A pump purge and deep rinse is incorporated to remove contaminants. See additional details and certifications below. Smart Dispense not available on this cycle.
Jeans with medium to light soil. For heavily soiled work jeans, use the Heavy Duty Cycle.	Jeans	Hot Warm Colors Cool Cold Tap Cold	Ex. Heavy Heavy Normal Light	Max More Normal No Spin	Stain Removal Guide Deep Fill Warm Rinse Auto Soak Deep Rinse Delay Wash Extra Rinse	Combines higher water levels, a specially designed agitation profile, and multi-step wash and soak periods to care for jeans with medium to light soil. Use the Heavy Duty cycle for heavily soiled work jeans.
Sturdy fabrics with heavy to medium soil.	Heavy Duty	Hot Warm Colors Cool Cold Tap Cold	Ex. Heavy Heavy Normal Light	Max More Normal No Spin	Stain Removal Guide Deep Fill Warm Rinse Auto Soak Deep Rinse Delay Wash Extra Rinse	Incorporates multi-step wash and soak periods combined with extended wash periods to effectively clean heavily to medium soiled sturdy fabrics.
Water-resistant, bedding and bulky items, such as large coats, mattress pads, and bath mats.	Bulky Items	Hot Warm Colors Cool Cold Tap Cold	Ex. Heavy Heavy Normal Light	Max More Normal No Spin	Stain Removal Guide Deep Fill Warm Rinse Auto Soak Deep Rinse Delay Wash Extra Rinse	Provides a Deep Fill/max fill wash water level to wash bulky and waterproof items. Also incorporates a Deep Fill rinse to effectively rinse bulky items and a low spin speed appropriate for these items. Only use this cycle for water-resistant, bedding or bulky items.
Towels Sheets	Towels / Sheets	Hot Warm Colors Cool Cold Tap Cold	Ex. Heavy Heavy Normal Light	Max More Normal No Spin	Stain Removal Guide Deep Fill Warm Rinse Auto Soak Deep Rinse Delay Wash Extra Rinse	Cycle designed washing towels or sheets, using a higher water level and a soak period to effectively clean these items. It is recommended that towels and sheets be washed separately for best care and washing performance. For waterproof bed covers use Bulky Items cycle.
Whites and household linens	Whites	Hot Warm Colors Cool Cold Tap Cold	Ex. Heavy Heavy Normal Light	Max More Normal No Spin	Stain Removal Guide Deep Fill Warm Rinse Auto Soak Deep Rinse Delay Wash Extra Rinse	Cycle tailored to clean and brighten your whites.

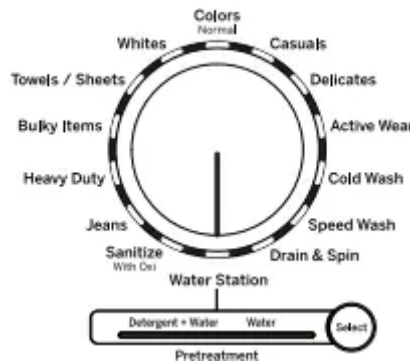
*Sanitize with Oxi

- The Sanitize With Oxi cycle, when using an Oxi additive along with your detergent, is designed to remove 99.9% of bacteria found in home laundry. Measure the detergent and the Oxi products carefully. Using the amounts appropriate for a large heavily soiled load in a top load washer, follow the detergent and the Oxi product label instructions. For the Sanitize With Oxi cycle only, add the clothes first and then place the detergent and Oxi product directly on top of the load. The washer hot water supply connection must provide a minimum of 120°F to ensure the effectiveness of this cycle.
- NOTE: The default Sanitize With Oxi cycle water temperature can NOT be changed.
- The Sanitize With Oxi cycle is certified by NSF International, an independent third party testing and certification organization. The certification verified that the cycle reduced

99.9% of bacteria typically found in residential laundry and that no significant contamination is transferred to subsequent washer loads. Only the Sanitize With Oxi cycle has been designed to meet the requirements of NSF Protocol P172 for sanitizing effectiveness.



E: Pretreating or Soaking Using Water Station (on some models)



- This feature is for pretreating of garments only and not intended to serve as an actual wash cycle. When selected, the washer will supply either fresh water or water mixed with detergent from your SmartDispense system for garment hand pre-washing or pre-treating use.
- The pretreating water will be dispensed from the area located in the back of the main opening of the washer. When selected, any water dispensed into the wash tub during the pretreat will be drained from the machine before any subsequently selected wash cycle can begin.
- Alternatively, you can use this feature to soak your garments in the pretreated water for up to 24 hours with the lid closed and the cycle knob remaining on Water Station.
- In order to use this feature to soak, keep dial on Water Station and close the lid. You can soak for up to 24 hours before the water in the tub will be automatically drained. Rotating the dial, holding the Start button for 3 seconds or leaving the lid open for more than 15 minutes will all automatically drain the water from the tub.

Water Station only

- Select this feature:
 1. Rotate the cycle selection knob to Water Station.
 2. Push the Select button until the LED below Water is illuminated.
 3. Select the desired water temperature using the Temp button.
 4. Press the Start button to initiate the feature.



- If the lid is not already open, raise the lid of the washer to start the flow of fresh water from the dispensing area. Water will continue to be dispensed until the lid is closed or the water level in the tub reaches the maximum level.
- If the lid is closed before the maximum level in the tub is reached, additional water can be dispensed by opening the lid again. Once the lid is closed, water dispensed using the water on demand feature will remain in the tub until the cycle selection knob is rotated to an actual wash cycle, or the Start button is held in for 3 seconds, at which point the water in the tub will be drained out of the machine.
- If the lid is not closed, the water in the tub will automatically be drained after 15 minutes. With the lid closed, if the cycle selection knob is not rotated to an actual wash cycle, or the Start button is not held in for 3 seconds, the water in the tub will automatically be drained after 24 hours.

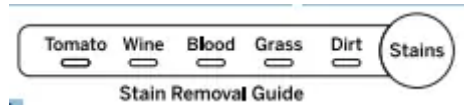
Water Station with Detergent

- Select this feature:
 1. Rotating the cycle selection knob to the Water Station.
 2. Push the Select button until the LED below Detergent + Water is illuminated.
 3. Select the desired water temperature using the Temp button.
 4. Press the Start button to initiate the detergent feature.
- If the lid is not already open, raise the lid of the washer to start the flow of soapy water from the dispensing area. Soapy water will continue to be dispensed until the lid is closed or the water level in the tub reaches the maximum level.
- If the lid is closed before the maximum level in the tub is reached, additional soapy water can be dispensed by simply opening the lid again. Once the lid is closed, soapy water dispensed will remain in the tub until the cycle selection knob is rotated to an actual wash cycle, or the Start button is held in for 3 seconds, at which point the soapy water in the tub will be drained out of the machine.
- If the lid is not closed, the soapy water in the tub will automatically be drained after 15 minutes. With the lid closed, if the cycle selection knob is not rotated to an actual wash cycle, or the Start button is not held in for 3 seconds, the soapy water in the tub will automatically be drained after 24 hours.

F. Stain Removal Guide (on some models)

- The Stain Removal Guide feature allows you to indicate what stains are on the garments in your load. An initial water fill is performed at a temperature tailored to the stain type selected and to an amount which enables a concentrated cleaning step. A stain scrubbing period, followed by an active soak, is conducted to effectively treat the stain. Then additional water is added to the selected temperature and the wash phase is conducted for the cycle selected.

- This feature can be applied to most wash cycles as described in the cycle guide.



- To use Stain Removal Guide:
 1. Select the desired wash cycle.
 2. Press the Stain Removal Guide button.
- Continue to press to select Tomato stain, Wine stain, Blood stain, Grass stain or Dirt stain. The indicator light will show the selected stain.
- To select a different stain, press the Stain Removal Guide button until desired stain to be removed is lit.
- To turn off Stain Removal Guide, press until no indicator lights are illuminated.
- NOTE: The Soil and Temperature levels will be changed to match the recommended default setting for each stain type. Turning off Stain Removal Guide will return the settings to default.

Stain Removal Guide

Category	Recommended Temperatures Treatment/Wash	Stain	For best results, before placing in washer:
Blood	Cold/Cool	Blood Sweat Body Fluids Urine	Rinse in cold water; pretreat stain with liquid detergent or stain remover product.
Grass	Cold/Warm	Grass Lipstick Chocolate Gravy Mayonnaise BBQ Sauce	Pretreat with liquid detergent or stain remover product. Brush lightly; rinse with cold water.
Dirt	Cool/Warm	Dirt Clay Mud	Allow dirt to dry; remove loose dirt using a brush. Rinse with cool water.
Tomato	Cool/Warm	Sauce Catsup Salsa	Pretreat with liquid detergent or stain remover product; rinse with cool water.
Wine	Cool/Warm	Wine Soda Kool-Aid Tea Coffee Juice Beer	Pretreat with mixture of Oxi product and cool water. Add Oxi product along with detergent in the washer.

- Recommended temperatures are optimal for stain removal performance; adjust temperature selection to suit load being washed.
- Ensure stain is completely removed after wash cycle and before placing in dryer; very tough stains may require a second treatment.



G. Settings

- Individual settings for agitation (Soil), water temperature (Temp), and spin (Spin) can be set from the minimum (lowest in column) to maximum (highest in column). In general, the higher up the column, the more washer energy will be used.
- NOTE: Longer Spin times typically reduce dryer time/energy usage (i.e. reduces total energy when using both a washer and a dryer).

H. Cycle Options

- Deep Fill
 - Select the Deep Fill feature for loads where extra water is needed. The Deep Fill feature is recommended for special case loads only, not for typical use.
 - Press the Deep Fill button once before starting the cycle to add an incremental amount of water to the wash load. Holding the Deep Fill button for 3 seconds will provide the deepest fill level possible; this will increase cycle time due to the additional time it takes to fill the washer.
 - To cancel the option if desired, press the Deep Fill button again. NOTE: The Deep Fill button can also be pressed after the washer has completed filling and is in the wash phase if additional water is desired. To stop the extra fill, press the Deep Fill button again and the water will stop.
- Warm Rinse: Provides a warm rinse to your wash load. Note that rinsing operations may be different with this operation selected in order to effectively apply the warm rinse water to your load
- Auto Soak: This option begins with a brief agitation, soaks for a specified period of time, then moves through the rest of the cycle automatically. Repeated pressing of the Soak button will scroll through 15 minute, 30 minute, 1 hour and 2 hour selections and then return back to 0 soak minutes.
- Deep Rinse: Set this option to provide a deep rinse or when using fabric softener. It may change other settings (e.g. Spin may go to a higher setting) to maximize performance.
- Delay Wash: When the Delay Wash button is repeatedly pressed, the delay time is set from 1 (01H) to 9 (09H) hours and back to clear (00H) hours. If you press and hold the Delay Wash button for 3 seconds, it will immediately reset.
- Extra Rinse
 - When you use extra detergent or bleach to clean heavily soiled clothes, use the Extra Rinse option to better remove additional residues. NOTE: This option is not allowed for some cycles.

I. Additional Options

- My Cycle Settings

- As the cycle selector knob is turned, the Temp, Soil and Spin settings change to automatic pre-set default settings for each cycle. If you desire different default settings, select the desired options or changes to the cycle settings, then press and hold the My Cycle button for 3 seconds to store them. The My Cycle button will light when active. In the future, when you turn the selector knob to that cycle, your settings will be automatically recalled. To restore the factory defaults temporarily (i.e. for this load), press the My Cycle button for 1/2 second. The My Cycle light will turn off and the factory defaults will load. However, the next time you select this cycle, your My Cycle settings will load. If you wish to permanently restore the factory default settings for the cycle; when the My Cycle is active (button light on) press and hold the My Cycle button for 3 seconds. The factory defaults will load for the selected cycle and the My Cycle light will turn off. The default settings will load when this cycle is selected in the future and the My Cycle light will remain off. NOTE: My Cycle saves the following options: Temp, Soil, Spin, Extra Rinse, Deep Fill, Warm Rinse, Auto Soak, Deep Rinse and Stain Removal Guide.

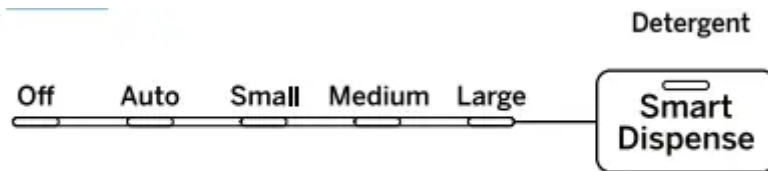
- Volume (on some models): Use the Volume button to change the volume of the end of cycle signal and other system tones. Press the button until you reach the desired volume (high, medium, low) or off.

- Control Lock

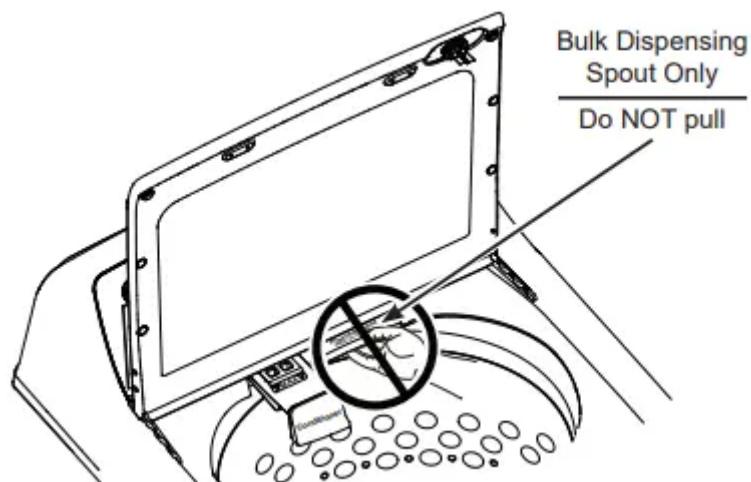
- Use the control lock before or during a cycle to prevent any selections from being made.
- To lock/unlock the washer controls, press and hold the Warm Rinse and Auto Soak buttons for 3 seconds. The control lock icon will light up when it is on. NOTE: The Power button can still be used when the machine is locked.

J. SmartDispense™ (GTW750 and GTW755 models only)

- When selected, this feature will automatically add detergent to the wash, eliminating the need to add detergent for each load.
- The detergent amount selection on the control panel will default to AUTO when first powering up the washing machine. When AUTO is selected, the amount of detergent needed for each laundry load will automatically be determined based on the size of the load the machine senses.



- This model does not have a dispenser drawer for detergent since it has a bulk detergent dispensing system.
- NOTE: If it is desired to manually add detergent for a load, that detergent will need to be added directly to the basket, and the smart dispense set to OFF for that particular load.
- NOTE: The right side of the dispensing area in the rear of the washer opening does NOT pull out. It is a spout only for water and detergent to flow from the smart dispense system.
- If it is desired to manually select the amount of detergent for a given load, this can be done by pressing the Detergent Dispense button on the control panel to select detergent for a Small, Normal or Large load. Small will provide less detergent than average, Normal will provide an average amount of detergent and Large will provide more detergent than average.
- The smart dispense feature can be disabled by pressing the Detergent Dispense button until Off is selected.
- NOTE: Not all cycles will allow the use of the SmartDispense feature. If the light is illuminated below the Off position and pressing the Detergent Dispense button results in a beeping tone, then SmartDispense is not allowed for the cycle that has been selected. Detergent will need to be added directly to the wash basket for these cycles.



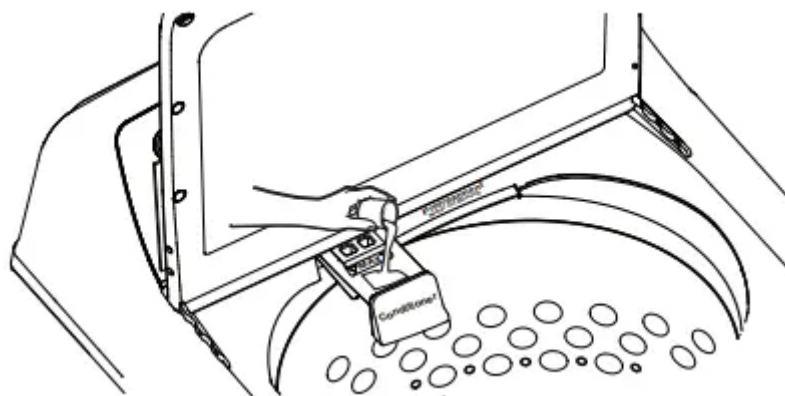
Adding Detergent to SmartDispenser™ (GTW750 and GTW755 models only)

- This machine is equipped with a bulk detergent reservoir that can hold approximately 75 ounces of liquid detergent for your convenience. This is enough detergent for about 50 average laundry loads, depending on what dispense amount is selected.



- The filling port of the detergent reservoir is located on the front left of the washing machine. To fill the reservoir with LIQUID detergent, first open the tank lid by rotating the small lid clockwise. Then pour LIQUID detergent into the opening until the level reaches the MAX indicator located inside the filling port, also indicated with the horizontal line next to the MAX lettering. Filling to this MAX level will provide detergent for about 50 average laundry loads. To ensure detergent is always available, liquid detergent should be added to the reservoir whenever there is no longer detergent visible when looking directly into the filling port.
- NOTE: If it is desired to change detergent type in the detergent tank, it is not required to flush the smart dispense system. The new detergent type can be added to a partially filled tank, however it will not be immediately dispensed until the original detergent is completely dispensed from the system.
- NOTE: In the event that excessive chlorine bleach is accidentally spilled or otherwise gets into the detergent tank, please follow the Detergent Tank Clean-Out instructions in the Care and Cleaning section in order to minimize the possibility for clothing damage. If only a few drops of bleach are spilled into the detergent tank, there is no need to flush the tank.

Liquid Fabric Softener/Conditioner Dispenser (GTW750 and GTW755 models only)



- Liquid fabric softener/conditioner should be added to the small drawer in the rear of the washer opening. Follow the liquid fabric softener/conditioner manufacturer's recommendations for the correct amount of softener/conditioner, based on the load size. Do not overfill or dilute softener/conditioner as this can result in additive being dispensed prematurely in the wash cycle. Your option selections will determine when liquid fabric softener/conditioner is automatically dispensed at its optimal time in the rinse cycle.
- NOTE: Fabric softener crystals should NOT be added to the dispenser drawer, as they will not dispense properly

Liquid Bleach (GTW750 and GTW755 models only)



- Use a measuring cup to pour the bleach into the bleach dispenser. Measure liquid bleach carefully and DO NOT pour directly from the bleach bottle into the bleach dispenser.
- NOTE: The bleach dispenser is a single use dispenser and is NOT a bulk dispense system. The maximum amount of bleach that should be poured into this dispenser for any load should never exceed 1 cup.
- NOTE: In the event that excessive chlorine bleach is accidentally spilled or otherwise gets into the detergent tank, please follow the Detergent Tank Clean-Out instructions in

the Care and Cleaning section in order to minimize the possibility for clothing damage. If only a few drops of bleach are spilled into the detergent tank, there is no need to flush the tank.

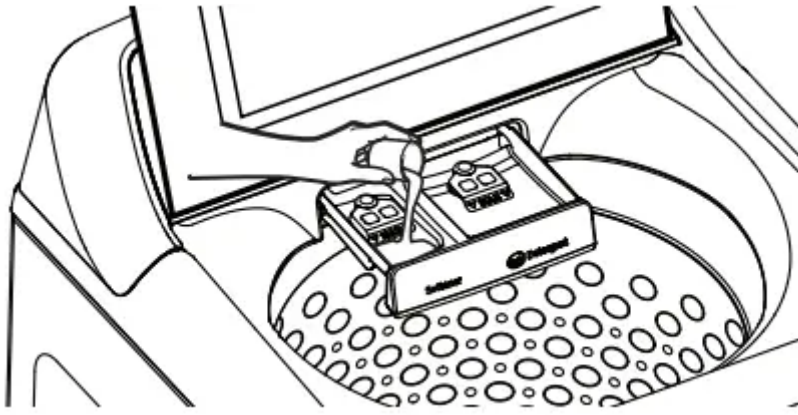
- NOTE: In the event that detergent is accidentally spilled or otherwise gets into the bleach opening, that detergent will simply be used for the next wash cycle. In this case there is no need to perform any flushing routine

Detergent Dispenser (GTW680 and GTW685 models only)



- HE detergent should be added to the right side of the dispenser drawer. Follow the detergent manufacturer's recommendations for the correct amount of detergent, based on load size, taking care to add detergent to the right compartment. Do not overfill or dilute detergent as this can result in additive being dispensed prematurely in the wash cycle. Your option selections will determine when detergent is automatically dispensed at its optimal time in the wash cycle. For optimal performance, especially when selecting cooler temperature and in cold weather climates, place powdered HE detergent directly in the wash basket before adding clothes.
- NOTE: Single-dose laundry packets should not be added to the dispenser drawer, as they will not dispense properly. Put packets in bottom of wash basket

Liquid Fabric Softener/Conditioner Dispenser (GTW680 and GTW685 models only)



- Liquid fabric softener/conditioner should be added to the left side of the dispenser drawer. Follow the liquid fabric softener/conditioner manufacturer's recommendations for the correct amount of softener/conditioner, based on load size, taking care to add softener/conditioner to the left compartment. Do not overfill or dilute softener/conditioner as this can result in additive being dispensed prematurely in the wash cycle. Your option selections will determine when liquid fabric softener/conditioner is automatically dispensed at its optimal time in the rinse cycle.
- NOTE: Fabric softener crystals should NOT be added to the dispenser drawer, as they will not dispense properly

Liquid Bleach Dispenser (GTW680 and GTW685 models only)



- Liquid chlorine bleach should be added through the bleach dispenser in the front left corner. Follow bleach manufacturer's recommendations for the correct amount of liquid chlorine bleach based on load size, taking care to not apply or spill it directly on clothing.
- NOTE: Do not use liquid chlorine bleach and laundry pretreatments such as an Oxi product in the same wash load

Loading

Always follow fabric manufacturer's care label when laundering

Automatic Load Sensing

- This determines the correct agitate profile, agitate duration and amount of water suited to the size and type of load placed in the washer. The washer will not start the wash cycle or fill with water if the lid is open. When the lid is closed the machine is able to begin filling with water in order to sense the load size.
- NOTE: Automatic Load Sensing initiates a spin at the beginning of the cycle and will take as much as 3 minutes to complete (significantly shorter for smaller loads); this is normal operation.
- NOTE: This is a high efficiency washing machine. This system requires less water while providing effective cleaning action. You may notice that the water level is lower than on your previous washer. This is normal for a high efficiency washer.

Pretreatment

- Place laundry pretreatments, such as an Oxi product, directly in the bottom of the wash basket before loading clothes.
- NOTE: Do not use liquid chlorine bleach and laundry pretreatments such as an Oxi product in the same wash load

Proper Use of Detergent

- Using too little or too much detergent is a common cause of laundry problems.
- Use less detergent if you have soft water, a smaller load or a lightly soiled load.
- For spots, apply pre-treatment to items as recommended on the product label. Application should be made in the basket to prevent overspray which may cause the coloring on the lid or graphics to fade.
- Place detergent pods in the bottom of the wash basket before adding clothes.
- GE Appliances recommends the use of High Efficiency detergents such as in your energy efficient washer. HE detergents are formulated to work with low water wash and rinse systems. HE detergents reduce the oversudsing problems commonly associated with regular detergents.
- When using high efficiency or concentrated detergents, consult the product label to determine amount required for optimum performance. Excessive detergent will negatively impact wash performance.

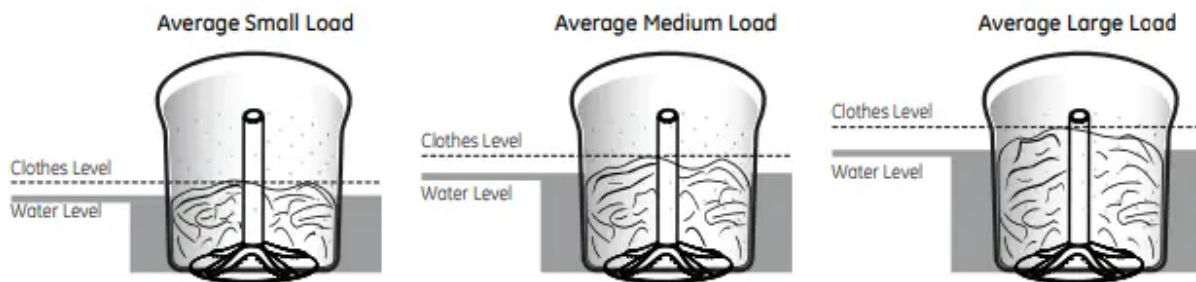
Sorting Wash Loads

- Sort by color (whites, lights, colors), soil level, fabric type (sturdy cottons, easy care, delicates) and whether the fabric produces lint (terry cloth, chenille) or collects lint (velveteen, corduroy). Wash lint producers such as cotton towels and socks separate from lint collectors including synthetic garments and dress pants.

- **WARNING - Fire Hazard:** DO NOT wash fabrics soiled with flammable liquids or cleaning solvents. No washer can completely remove oil. DO NOT wash or dry anything that has been soaked in or spotted with any type of oil (including cooking oils). DO NOT reach into the washer until all moving parts have stopped. Doing so can result in death, explosion, fire or amputation

Loading the Washer

- Load dry items loosely in the washer basket. For best results, load items evenly and loosely around the outside of the basket, filling in towards the center on larger loads. To add items after washer has started, press Start/Pause if the lid is locked; wait until the Lid Lock indicator on the display is no longer illuminated before attempting to open the lid. Lift the lid and submerge additional items around the outside of the basket. Close the lid and press Start to resume. Adjust load size selection and/or use Deep Fill option if necessary.
 - Do not place large items such as sheets, blankets and towels across the Infusor. Load them around the outside of the basket.
 - Do not put lawn or sofa cushions into the washer as they are too big to move. Remove outer covers and ONLY wash them.



Appliance communication

WiFi Connect (For customers in the United States only - on some models)

- Depending on the model, your washer is either GE Appliances WiFi Connect enabled, or compatible using the optional GE Appliances ConnectPlus module.
- If enabled: Visit www.geappliances.com/connect and enter your model number to show you the proper steps to connect your appliance.
- If compatible: To connect this appliance to the internet you will need to purchase a GE Appliances ConnectPlus and attach the module to your appliance through the communication port in the appliance. The GE Appliances ConnectPlus will allow your appliance to communicate with your smartphone for remote appliance monitoring, control and notifications.

- Please visit GEAppliances.com/connect to learn more about connected appliance features, to learn what connected appliance app's will work with your smartphone.
- WiFi Connectivity: For assistance with the appliance or the ConnectPlus network connectivity, please call GE Appliances at 800.GE.CARES.
- Visit your local authorized GE Appliances parts distributor or order by phone at 800.661.1616 during normal business hours. Part Number Accessory PBX10W00Y0 WiFi ConnectPlus module

Care and cleaning

WARNING - Electrical Shock Hazard: Certain internal parts are intentionally not grounded and may present a risk of electric shock only during servicing. Service personnel – DO NOT contact the following parts while the appliance is energized: Drive Motor, Lid Lock, Water Valves, Drain Pump and Recirculation Pump

Exterior of the Washer

- Immediately wipe off any spills with a damp cloth.

Interior of the Washer

NOTE: For the GTW750 and GTW755 models, the following instructions should be followed using the Bulky Items cycle.

To clean the interior of the washer, select the Basket Clean feature on the control panel. This Basket Clean cycle should be performed, at a minimum, once per month. This cycle will use more water, in addition to bleach, to control the rate at which soils and detergents may accumulate in your washer.

NOTE: Read the instructions below completely before starting the Basket Clean cycle.

1. Remove any garments or objects from the washer and ensure the washer basket is empty.
2. Open the washer lid and pour one cup or 250 ml of liquid bleach or other washing machine cleaner into the basket.
3. Close the lid and select the Basket Clean cycle. Push the Start button.
4. When the Basket Clean cycle is working, the display will show the estimated cycle time remaining. Do not interrupt the cycle.

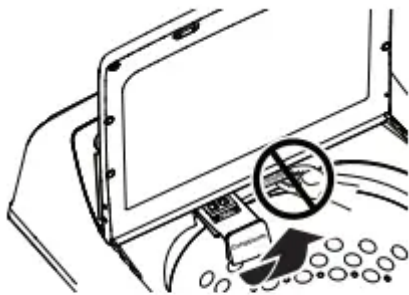
Basket Clean may be interrupted by pressing the Start button in between cycles. A power outage in the house might also interrupt the cycle. When the power supply is back, the Basket Clean cycle resumes where it had stopped. When interrupted, be sure to run a complete Basket Clean cycle before using the washer. If the Power button is pressed during Basket Clean, the cycle will be lost.

IMPORTANT:

- Run Basket Clean with 1 Cup (250 ml) of bleach once a month.
- After the completion of a Basket Clean cycle, the interior of your washer may have a bleach smell.

Dispenser Drawer

- After some period of use, a small amount of detergent or softener residue may be present in the dispenser drawer. The drawer can easily be removed for cleaning. To remove the drawer, pull it out until the drawer stops and then lift up on the front of the drawer. The drawer can then be removed from the dispenser box. Wash the drawer in warm, soapy water using a mild detergent. Rinse drawer with warm water. If siphon caps are removed for cleaning, be sure to push siphon caps fully back into place after cleaning.
- The dispenser drawer and siphon caps are not dishwasher safe. The dispenser box is not removable, but it can be wiped clean using a damp cloth if necessary. Do not attempt to remove the dispenser box for cleaning.



GTW750 and GTW755 models have a small dispenser drawer with one compartment for softener/conditioner only.



GTW680 and GTW685 models have a large dispenser drawer with compartments for both detergent and softener.

Detergent Tank Clean-Out (GTW750 and GTW755 models only)

NOTE: All clothes should be removed from the washer prior to cleaning out the detergent tank.

To empty out the tank and remove any remaining detergent from the reservoir:

1. Press and hold both the Detergent Dispense and Select buttons for three seconds.
2. The empty out routine will begin with the contents of tank, mixed with water, being dispensed into the basket and consequently drained from the machine at the same time.
3. The empty out routine will continue for approximately 15 minutes unless it is paused by the pressing of the Start button. If tank is initially full, routine may need to be run a second time to empty detergent tank.

NOTE: Optionally, hot water can be added to the tank to aid in flushing out the system of any residual detergent prior to starting or during the cleanout routine.

Water Supply Hoses

- Hoses connecting washer to faucet should be replaced every 5 years.

Long Vacations

- Be sure water supply is shut off at faucets. Drain all water from hoses and water filter pump area if weather will be below freezing.

Moving and Storage

- Ask the service technician to remove water from drain pump and hoses. Do not store the washer where it will be exposed to the weather.
- GTW750 & GTW755 models only: Do not move the washer with a full tank of detergent. If moving the washer with a partially filled tank of detergent, do not tilt washer forward as detergent could spill from tank. If moving the washer will result in tipping the washer forward in any way, it is best to flush out your detergent tank. See Detergent Tank Clean-Out in this Care and Cleaning section.

Installation Instructions

BEFORE YOU BEGIN

Read these instructions completely and carefully.

- IMPORTANT – Save these instructions for local inspector's use.
- IMPORTANT – Observe all governing codes and ordinances.
- Note to Installer – Be sure to leave these instructions with the Consumer.
- Note to Consumer – Keep these instructions for future reference.
- Skill level – Installation of this appliance requires basic mechanical and electrical skills.
- Completion time – 1-3 hours
- Proper installation is the responsibility of the installer.
- Product failure due to improper installation is not covered under the Warranty

LOCATION OF YOUR WASHER

DO NOT Install the Washer:

1. In an area exposed to dripping water or outside weather conditions. The ambient temperature should never be below 60°F (15.6°C) for proper washer operation.
2. In an area where it will come in contact with curtains or drapes.

3. On carpet. The floor MUST be a hard surface with a maximum slope of 1/2 " per foot(1.27 cm per 30 cm). To make sure the washer does not vibrate or move, you may have to reinforce the floor.

NOTE: If floor is in poor condition, use 3/4" impregnated plywood sheet solidly attached to existing floor covering

IMPORTANT: Minimum Installation Clearances - Alcove or Closet

- If your washer is approved for installation in an alcove or closet, there will be a label on the back of the machine describing requirements.
- Minimum clearance between washer and adjacent walls or other surfaces: 0" either side, 2" front, 3" rear. Vertical space from floor to overhead shelving, cabinets, ceiling, etc. = 60".
- Closet doors must be louvered or otherwise ventilated and have at least 60 square inches of open area. If the closet contains both a washer and a dryer, doors must contain a minimum of 120 square inches of open area.

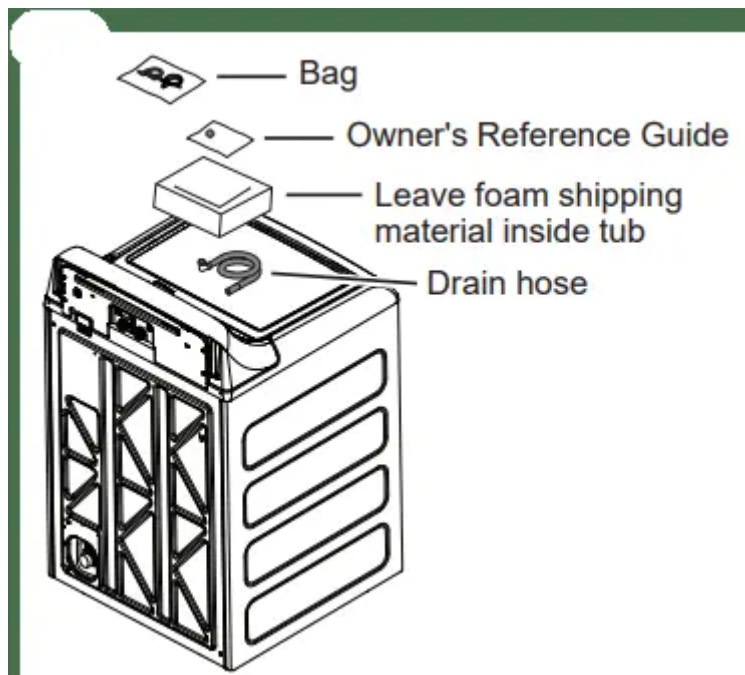
NOTE: The clearances stated on this label are minimums. Consideration must be given to providing adequate clearances for installing and servicing.

WATER SUPPLY REQUIREMENTS

- **WATER SUPPLY LINES** - Purge Hot and Cold water supply lines for 30 seconds prior to installation of hoses and washing machine. Ensure inlet hose screens are also clean and free of debris.
- **WATER PRESSURE** - Must be 20 psi minimum to 120 psi maximum.
- **WATER TEMPERATURE** - Household water heater should be set to deliver water at 120° to 150°F (50° to 66°C) TO THE WASHER when hot wash is selected.
- **SHUTOFF VALVES** - Both hot and cold shutoff valves (faucets) should be supplied.
- **DRAIN** - Water should be drained into standpipe. Discharge height MUST NOT BE LESS THAN 30 INCHES, and no more than 8 feet above the base of the washer. Standpipe must be 1-1/2 inches minimum inside diameter and must be open to atmosphere.

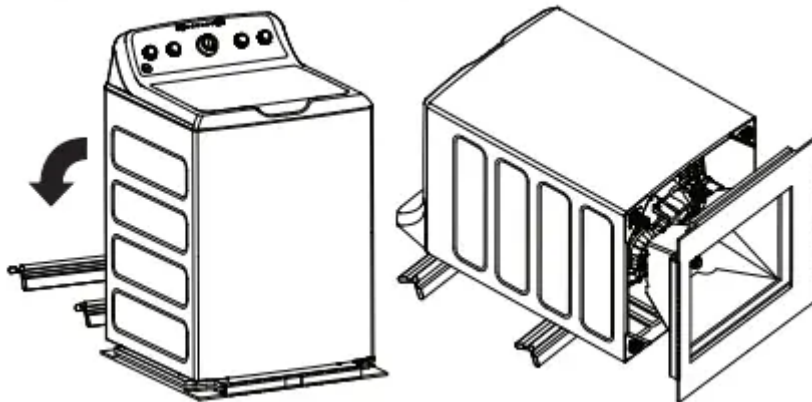
1. UNPACKING THE WASHER

- After the machine is in the home, remove outside packing material/carton from washer.
- Remove bag (containing clamp, cable tie and drain hose clip), drain hose and Owner's Reference Guide from tub.
- NOTE: Leave foam shipping material inside tub opening to hold tub in place during the rest of installation



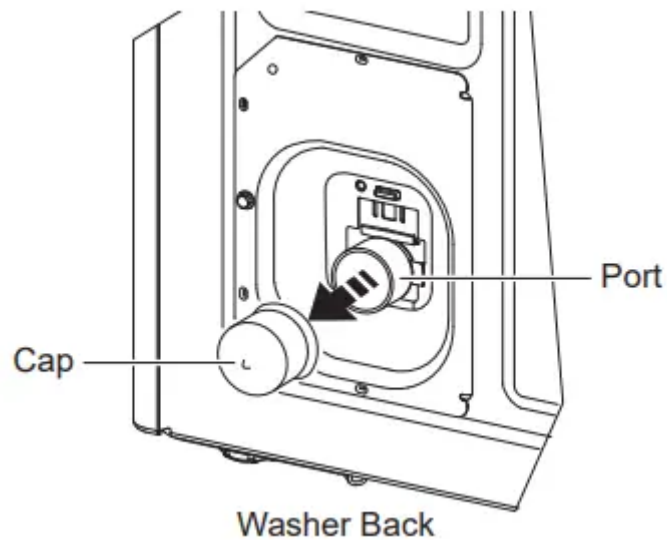
2. REMOVE THE BASE

- Remove base from unit by placing foot on side of base and tipping unit back on corner post. Remove base and bring the washer back upright.

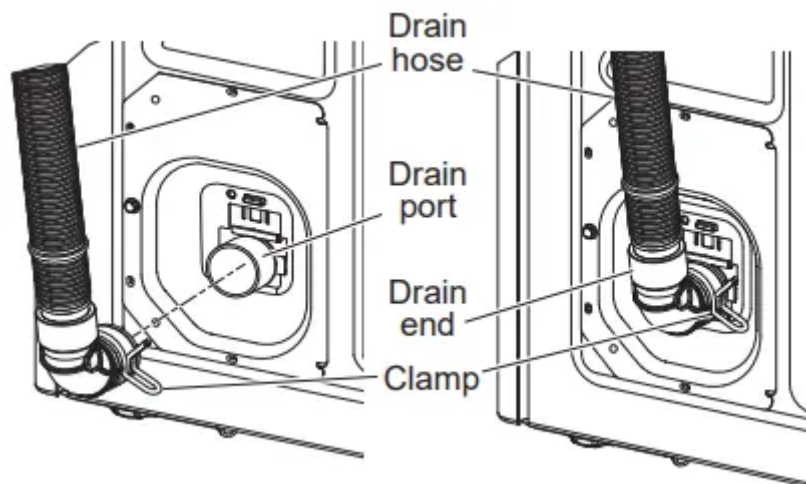


3. CONNECT DRAIN HOSE TO WASHER

- Remove the cap from the drain port, if present, before installing the drain hose.

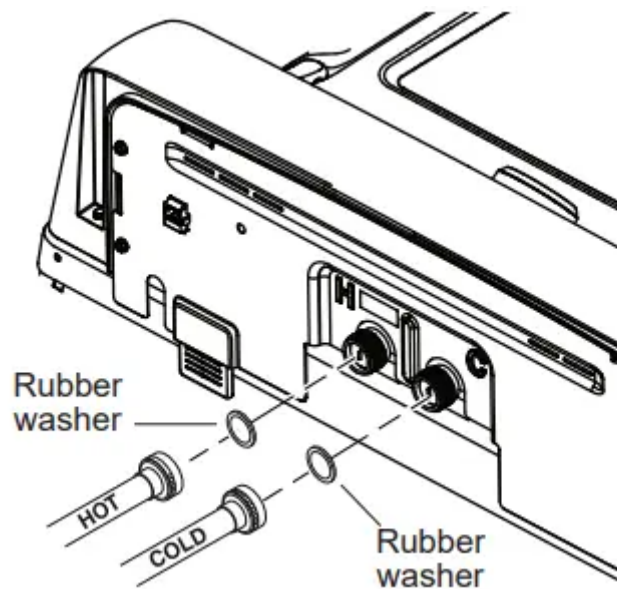


- Connect drain hose to drain port on back of washer. Open clamp with pliers and slide onto hose end. Holding clamp open, push hose end onto drain port until fully seated. Release clamp between locating ribs on hose end. Outlet of hose end should be oriented vertically.



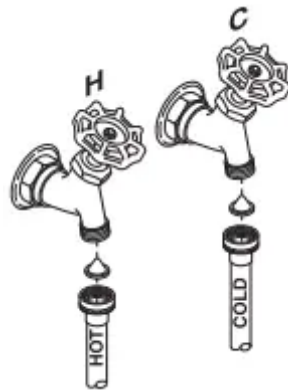
4. CONNECT WATER HOSES TO WASHER

- Unplug electrical cord before installing water hoses. If not installed, install rubber washer in one end of hot water hose. Thread hot water hose onto connection labeled H at top rear of washer. Hand tighten and use pliers to tighten hoses between 1/8 and 1/4 turn beyond hand-tight.
- If not installed, install rubber washer in one end of cold water hose C. Thread cold water hose onto connection labeled C at top rear of washer. Hand tighten and use pliers to tighten hoses between 1/8 and 1/4 turn beyond hand-tight.
- Move washer as close to final location as possible leaving room for you to make water, drain, and electrical connections to your home.



5. CONNECT WATER HOSES TO OUTLET VALVES

- Determine which is HOT water line before attaching water hoses to faucets. Traditionally, HOT faucet is on left. (If screen washers are not installed) With protruding part of screen toward you, install strainer screen/rubber washer into each of the free ends of two water hoses.
- Connect hot water hose to hot water outlet valve of your home. Hand tighten and use pliers to tighten hoses between 1/4 and 1/2 turn beyond hand-tight. Open hot water valve.

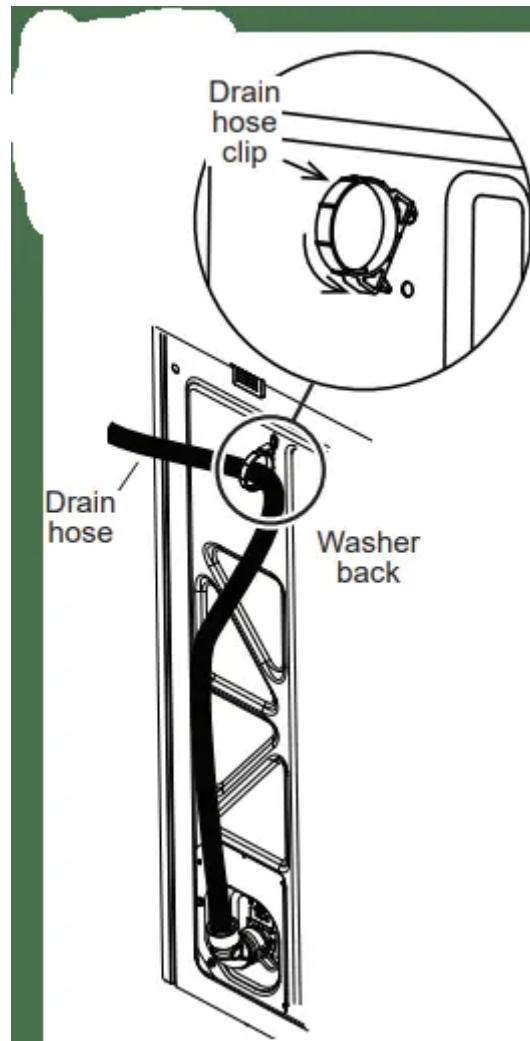


- Connect cold water hose to cold water outlet valve of your home. Hand tighten and use pliers to tighten hoses between 1/4 and 1/2 turn beyond hand-tight. Open cold water valve.
- Check for leaks and drips at the hose couplings. Tighten as necessary.

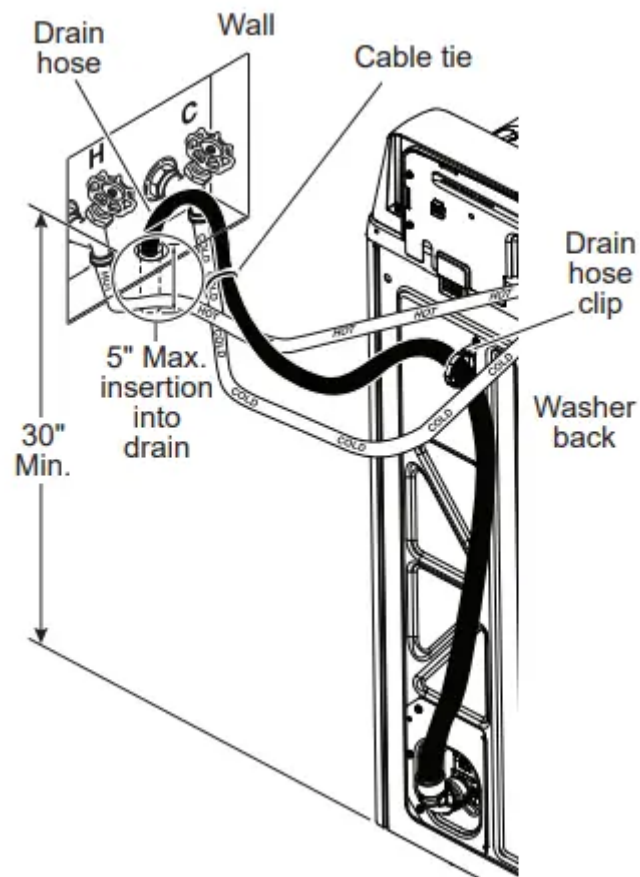
6. CONNECT TO DRAIN

- Install drain hose clip on rear panel of washer. Route drain hose through clip and insert free end into drain opening of your home.

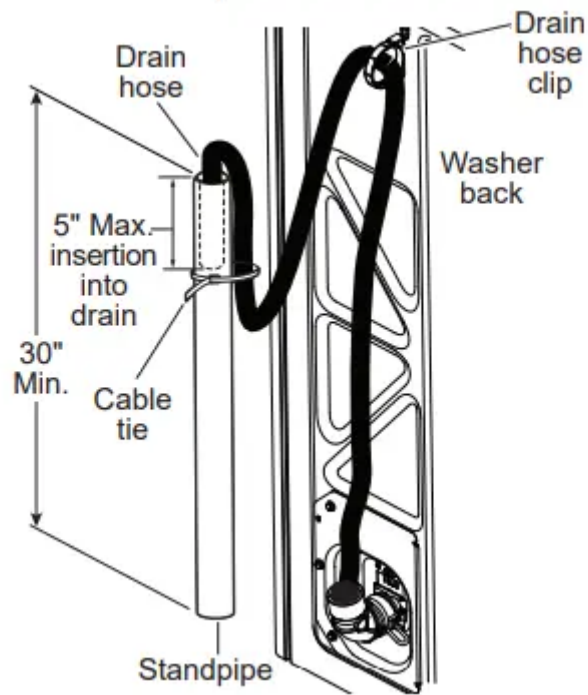
- NOTE: If longer drain hose is required, order drain hose extension kit, GE Appliances part number WH49X301. Connect additional drain hose (contained in kit) to original hose with hose clamp (contained in kit).



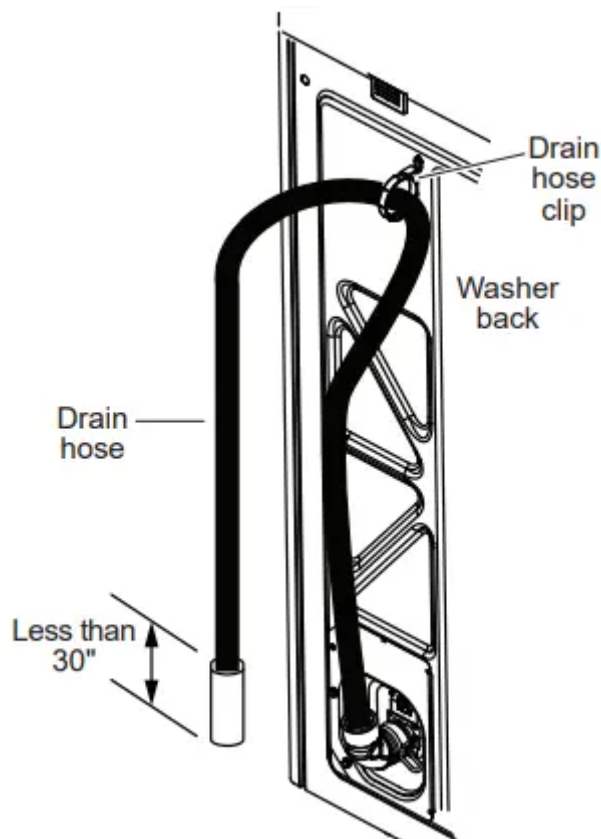
- If water valves and drain are built into wall, fasten drain hose to one of the water hoses with cable tie provided.



- NOTE: Placing the drain hose too far down the drain pipe can cause a siphoning action. No more than 5" of hose should be in the drain pipe. There must be an air gap around the drain hose. A snug fit can also cause a siphoning action.
- If your drain is a standpipe, fasten drain hose to standpipe with cable tie provided.



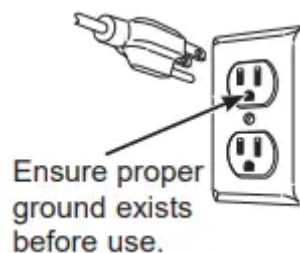
- NOTE: Placing the drain hose too far down the drain pipe can cause a siphoning action. No more than 5" of hose should be in the drain pipe. There must be an air gap around the drain hose. A snug fit can also cause a siphoning action.
- If drain discharge height does not meet 30" minimum height requirement, end of drain hose must be secured in drain opening of home by installer and have an air gap around hose to prevent siphoning



- NOTE: Placing the drain hose too far down the drain pipe can cause a siphoning action. No more than 5" of hose should be in the drain pipe. There must be an air gap around the drain hose. A snug fit can also cause a siphoning action.

ELECTRICAL REQUIREMENTS

- CIRCUIT – Individual, properly polarized and grounded 15 or 20 amp circuit breaker or time-delay fuse.
- POWER SUPPLY – 2 wire plus ground, 120 Volt, single phase, 60 Hz, alternating current.
- Outlet Receptacle – Properly grounded 3-prong receptacle to be located so the power cord is accessible when the washer is in an installed position. If a 2-prong receptacle is present, it is the owner's responsibility to have a licensed electrician replace it with a properly grounded 3-prong grounding type receptacle.

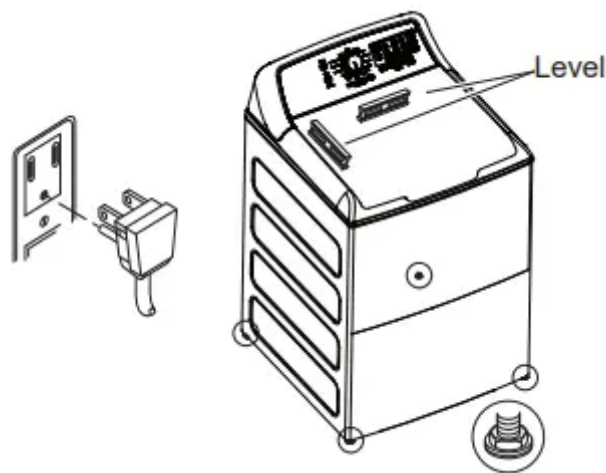


- Washer must be electrically grounded in accordance with local codes and ordinances, or in the absence of local codes, with latest edition of the NATIONAL ELECTRICAL CODE,

ANSI/NFPA NO. 70 or CANADIAN ELECTRICAL CODE, CSA C22.1. Check with a licensed electrician if you are not sure that the washer is properly grounded

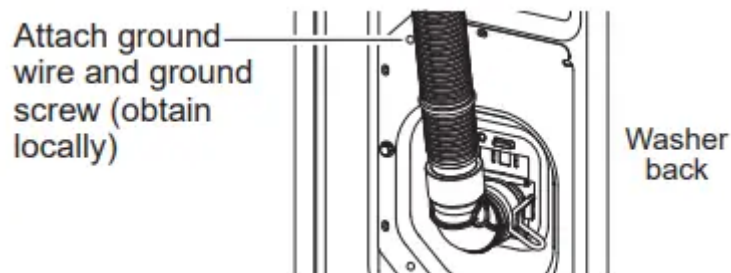
7. CONNECT POWER AND INSTALL

- Insert plug of electrical cord into a 115V, 15- or 20-amp wall receptacle. Move washer into final position. Place level on flat top side edges of washer. Adjust all four leveling legs until washer is level left-to-right and front-to-back. Remove level.
- Open tub lid. Remove and discard tub shipping material (see Step 1).
- Remove plastic protector sheet from control panel face



GROUNDING INSTRUCTIONS

- This appliance must be grounded. In the event of malfunction or breakdown, grounding will reduce the risk of electric shock by providing a path of least resistance for electric current. This appliance is equipped with a cord having an equipment-grounding conductor and a grounding plug. The plug must be plugged into an appropriate outlet that is properly installed and grounded in accordance with all local codes and ordinances.
- Improper connection of the equipment-grounding conductor can result in a risk of electrical shock. Check with a qualified electrician, or service representative or personnel, if you are in doubt as to whether the appliance is properly grounded. **DO NOT** modify the plug on the power supply cord. If it will not fit the outlet, have a proper outlet installed by a qualified electrician.
- If required by local codes, an external 18 gauge or larger copper ground wire (not provided) may be added. Attach to washer cabinet with a #10-16 x 1/2" sheet metal screw (available at any hardware store) to rear of washer as illustrated.



- Mobile Home Installation: Installation must conform to Standard for Mobile Homes, ANSI A119.1 and National Mobile Home Construction and Safety Standards Act of 1974 (PL93-383).

FINAL CHECKLIST

- Before starting the washer, check to make sure:
 - Main power is turned on.
 - The washer is plugged in.
 - The water faucets are turned on.
 - The unit is level and all four leveling legs are firmly on the floor.
 - The shipping foam and cardboard are removed.
 - The drain hose is properly tied up.
 - There are no leaks at the faucet, drain line or washer.
 - Remove the cap from the drain port, if present, before installing the drain hose.
- Run the washer through a complete cycle.
 - Check for water leaks and proper operation.
 - Place these instructions in a location near the washer for future reference

Troubleshooting Tips

... Before you call for service

1. Small amount of water remaining in dispenser (on some models) at end of cycle

- Normal dispenser operation
 - It is normal for a small amount of water to remain in dispenser after the cycle.

2. Short spray and delay after pushing the Start button

- Lid was opened and closed between cycle selection and start
 - This is normal. See START-UP SEQUENCE in the Safety Instructions section.

3. Water level seems low

This is normal Water may not cover the top level of the clothes.

This is normal for this high efficiency washer.

4. Water siphoning out of washer

- Drain standpipe is too low or hose too far into standpipe
 - The drain hose must exceed 30" height at some point between the washer back and the drain pipe. Use anti-siphon clip. See the Installation Instructions

5. Too many suds

- Soft water
 - Try less detergent.
- Too much detergent
 - Measure your detergent carefully. Use less soap if you have soft water, a smaller load or a lightly soiled load.
- Type of detergent
 - Switch to High Efficiency detergent such as

6. Water leaks

- Type of detergent
 - Switch to High Efficiency detergent such as .
- Using too much detergent in washer
 - Use less detergent. Use less soap if you have soft water, a smaller load or a lightly soiled load.
- Fill hoses or drain hose is improperly connected
 - Make sure hose connections are tight at faucets and rubber washers are installed. Make sure end of drain hose is correctly inserted in and secured to drain facility.
- Household drain clogged Check household plumbing. You may need to call a plumber.
- Drain hose rubs on wall
 - Make sure drain hose does not make contact with the wall. May cause excessive wear on the hose. Constant water pressure to fill hoses at water source Tighten hoses at the faucets. Check condition of the fill hoses; they should be replaced every 5 years.

7. Water temperature seems incorrect

- Cooler water temperatures provide improved energy efficiency
 - New laundry detergents have been formulated to work with cooler water temperatures without affecting wash performance.

- Water supply is turned off or improperly connected Turn both hot and cold faucets fully on and make sure hoses are connected to correct faucets. NOTE: Water valves are marked “H” and “C”.
- Water valve screens are stopped up
 - Turn off the water source and remove the water connection hoses from the upper back of the washer and the water faucets. Clean both the hose screens (if so equipped) and the screens in the machine using a brush or a toothpick. Reconnect the hoses and turn the water back on. Check to ensure there are no leaks at the connections.
- Cool/Cold Water when selecting Hot
 - This is normal. The washer senses water temperature (on some models) and optimizes for best results. Cold water is added periodically when hot is selected.
- House water heater is not set properly
 - Make sure house water heater is delivering water at 120°F–140°F (48°C–60°C).

8. Water pumped out before cycle is complete

- Water was left in unit for 24 hours with lid closed or 15 minutes with lid open
 - Previous cycle has been cancelled. Close lid, select new cycle, and start machine.

9. Water won't drain

- Drain hose is kinked or improperly connected
 - Straighten drain hose and make sure washer is not sitting on it. Top of drain outlet should be less than 8 ft (2.44 m) above floor.

10. Washer spins and pauses at the beginning of cycles

- This is normal
 - The washer is sensing the load.

11. Washer pauses during wash cycle

- The Soak Option was chosen
 - This is normal. The washer alternates between agitate and soak during these cycles to get your clothes cleaner with less wear.
- This is normal
 - Many cycles incorporate as series of soaks within the agitation period to get your clothes clean with less wear.

12. Residual powder in dispenser or clogging of dispensers

- Wash water too cold or low home water pressure
 - Select a warmer wash temperature if possible to improve dissolving of detergent or use liquid detergent. Make sure siphon caps are free of debris and fully pressed into position. Remove and clean tray if clogging occurs.

13. Laundry additives dispensing too soon

- Overfilling of dispensers
 - Do not overfill or add water to dispenser. Select Deep Rinse option when using fabric softener.

14. Washer pauses during spin cycle

- This is normal The washer may pause during the spin cycle to remove soapy water more efficiently.

15. Washer won't operate

- Washer is unplugged
 - Make sure cord is plugged securely into a working outlet.
- Water supply is turned off
 - Turn both hot and cold faucets fully on.
- Lid is open—safety feature prevents agitation and spinning when lid is up
 - Close lid and press Start.
- Circuit breaker/fuse is tripped/blown
 - Check house circuit breakers/fuses. Replace fuses or reset breaker. Washer should have a separate outlet.
- Electronics need to be reset
 - Unplug washer, wait 2 minutes, plug back in and press Start.
- Start was not pressed
 - Press Start.

16. Detergent packets not dissolving

- Laundry detergent packet placed in dispenser
 - Laundry detergent packets should not be used in the dispensers. They should only be added directly to the wash basket following the manufacturer's directions.

17. Unexplained time and/or settings changes

- Changing options (on some models)
 - This is normal. Several options will change other options to maximize washer performance.

18. Basket seems loose

- Basket moves or rotates freely
 - Washer basket does not have a traditional brake. Washer basket will move freely. This is normal.

19. Colored spots

- Incorrect use of fabric softener
 - Check fabric softener package for instructions and follow directions for using dispenser. Make sure you have selected the Deep Rinse option. Pretreat stain and rewash using Speed Wash cycle before drying.
- Dye transfer
 - Sort whites or lightly colored items from dark colors.

20. Grayed or yellowed clothes

- Detergent amount
 - Be sure to follow detergent manufacturer's directions.
- Hard water
 - Use a water conditioner or install a water softener.
- Water is not hot enough
 - Make sure water heater is delivering water at 120°F–140°F (48°C– 60°C).
- Washer is overloaded
 - Loosely load clothes no higher than the top row of holes in the washer basket. For best results, load items around the outside of the basket.
- Dye transfer
 - Sort clothes by color. If fabric label states wash separately, unstable dyes may be indicated.

21. Lint or residue on clothes

- Clothes are air or line dried
 - If you do not dry your clothes with a clothes dryer, your clothes may retain more lint.

- Incorrect sorting
 - Separate lint producers from lint collectors.
- Washing too long
 - Wash small loads for a shorter time using Light Soil setting.
- Detergent not dissolving
 - Rewash, next time: Try a liquid detergent; Use warmer water temperature.
- Overloading
 - Loosely load clothes in the washer basket. For best results, load items around the outside of the basket.
- Incorrect use of fabric softener
 - Check fabric softener package for instructions and follow directions for using dispenser. Make sure you have selected the Deep Rinse option.

22. Clothes too wet

- No spin selected
 - Select a spin option.
- Incorrect cycle selected
 - Make sure the cycle selected matches the load you are washing. Some fabrics will feel wetter when rinsed with cold water.
- Wash load out of balance
 - Redistribute load in washer and run through Drain & Spin cycle.

23. Blinking Spin light or Spin light on at end of cycle

- Out of balance condition has been detected
 - Allow cycle to continue and finish. If load is wet at the end of the cycle, even out load and run a Drain & Spin cycle

24. Pilling

- Result of normal wear on poly-cotton blends and fuzzy fabrics
 - While this is not caused by the washer, you can slow the pilling process by washing garments inside out.

25. Snags, holes, tears, rips or excessive wear

- Pins, snaps, hooks, sharp buttons, belt buckles, zippers and sharp objects left in pockets
 - Fasten snaps, hooks, buttons and zippers. Remove loose items like pins, objects in pockets and sharp buttons. Turn knits (which snag easily) inside out.

- Undiluted chlorine bleach
 - Check bleach package instructions for proper amount. Never add undiluted bleach to wash or allow clothes to come in contact with undiluted bleach.
- Chemicals like hair bleach or dye, permanent wave solution
 - Rinse items that may have chemicals on them before washing. Use Speed Wash cycle with Extra Rinse option.

26. Wrinkling

- Incorrect wash and dry cycles
 - Match Cycle selection to the type of fabric you are washing (especially for easy care loads).
- Improper sorting
 - Avoid mixing heavy items (like jeans) with light items (like blouses). Try a fabric softener.
- Overloading
 - Loosely load clothes in the washer basket.
- Repeated washing in water that is too hot
 - Wash in warm or cold water.

Sounds

1. “Clicking”

- Shifter mechanism is engaging or disengaging
 - The drive system will engage at the start of agitate and disengage when agitate is complete. This occurs multiple times during the wash.

2. Back and forth “swoosh”

- Electric motor reversing direction
 - This sound is the motor rotating back and forth to clean your laundry.

3. “Clicking” behind Control during fill

- Automatic Temperature Control Valve
 - Two valves mix cold and hot water. The “clicking” is when either valve turns on or off to raise or lower the fill water temperature.

4. Water flow changes during fill

- Automatic Temperature Control Valve
 - Two valves mix cold and hot water. The “clicking” is when either valve turns on or off to raise or lower the fill water temperature.

5. Motor sounds during spin

- Motor ramping up/down during spin cycle
 - The motor will speed up incrementally during the spin cycle. When spin is complete, it will coast until it stops.

6. “Humming”

- Water drain pump
 - The drain pump will make a humming sound when pumping out water after agitation stops and continue until spin is complete.
- Drive motor
 - The drive motor will make a “humming” sound during the wash and spin phases of the cycle.

7. “Gurgling”

- Water drain pump
 - When the pump starts drawing in air, it starts to gurgle. The washer should then begin spinning and the sound will continue until it is done spinning.

8. Water “swishing”

- Washing process
 - Water swishing while the unit is agitating is normal, especially with smaller loads.

9. Washer rocking/ moving

- Washer leveling legs uneven
 - To level the washer, adjust the leveling legs by rotating the individual leg in the proper direction for up or down.

10. “Squeaking” sound

- Washer not level and rubbing on cabinet
 - To level the washer, adjust the leveling legs by rotating the individual leg in the proper direction for up or down.

Warning

This content is compiled from multiple sources and is provided for reference purposes only. It may not be complete or fully applicable to all situations. If you are unable to resolve your issue, please contact the product manufacturer or an authorized service provider for official support.

Document generated by [ManualsFile](#)

