

# Operations

## Setting up the refrigerator

Now that you have your new refrigerator installed and in place, you are ready to set up and enjoy the full features and functions of the appliance.

By completing the following steps, your refrigerator should be fully operational. If not, first check the power supply and electricity source or try the troubleshooting section at the back of this user guide. If you have any further questions, contact your Samsung Electronics service center.

1. Place the refrigerator in an appropriate location with reasonable clearance between the wall and the refrigerator. Refer to installation instructions in this manual.
2. Once the refrigerator is plugged in, make sure the interior light comes on when you open the doors.
3. Set the temperature control to the coldest temperature and wait for an hour. The freezer should get slightly chilled and the motor should run smoothly.
4. After powering the refrigerator, it will take a few hours to reach the appropriate temperature. Once the refrigerator temperature is sufficiently cool, you can store food and drink in the refrigerator.

## USE ICE TRAY(OPTIONAL)

When the freeze temperature get zero degree below, you can use Ice Box to make ice.

1. Pull out the ice tray.



2. Pour cool water into the tray until it reaches the water level indicator on the tray.



3. Place it inside ice tray.



4. Turn ice tray button and the ice automatically full into the below ice compartment after release. Pull out ice storage compartment for ice.



1. Pull out the ice tray.



2. Pour water into the tray until it reaches the water level indicator on the tray.



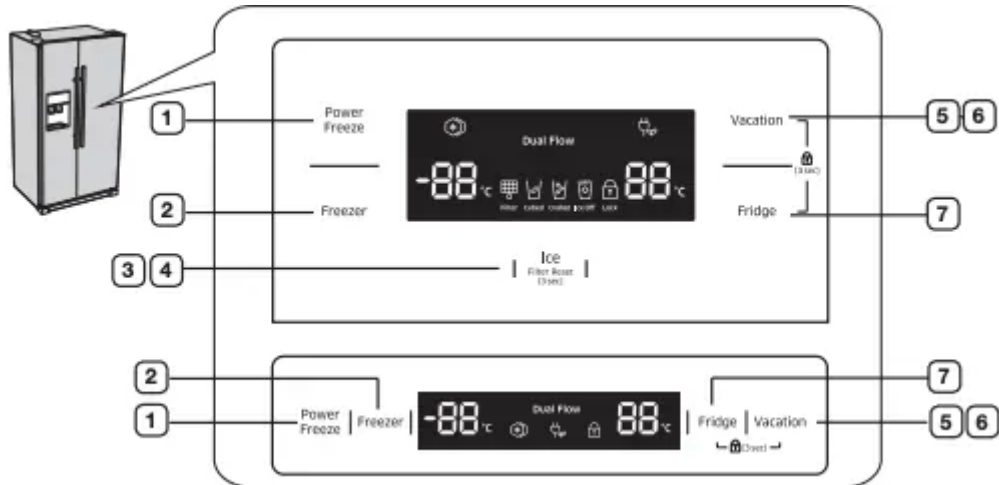
3. Place it under the freezer shelf or on the freezer shelf.



4. To separate individual ice cubes, pull out the ice tray and hold the ice tray by its ends, then twist it gently.



## Using the control panel (optional)



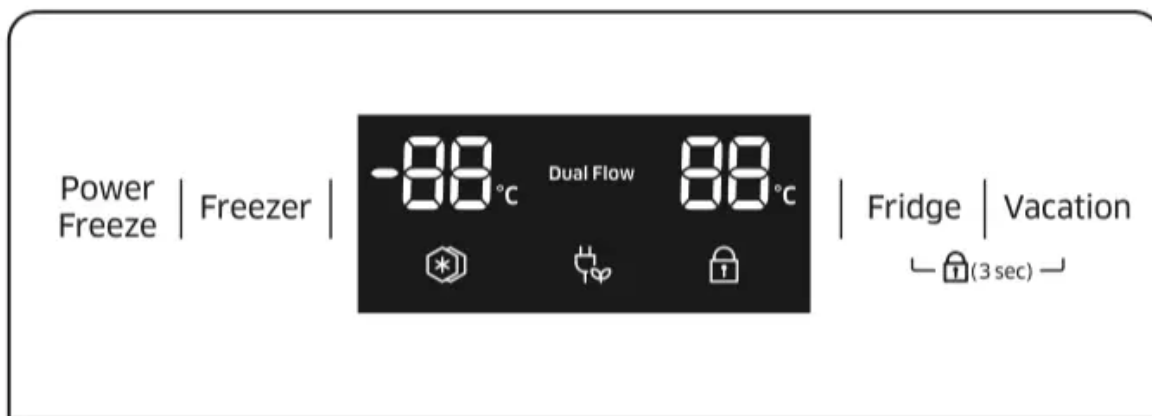
### CAUTION

- When not in use the temperature key, Dual Flow and Filter (green) display will turn off, and press the key or door open will turn on again, this is normal.

<b>1.POWER FREEZE BUTTON</b>	Speeds up the time needed to freeze products in the freezer. This can be helpful if you need to quickly freeze items that spoil easily or if the temperature in the freezer has warmed dramatically (For example, if the door was left open).
<b>2.FREEZER BUTTON</b>	Press the Freezer button to set the freezer to your desired temperature, You can set the temperature between -14°C (8°F) and -25°C (-14°F).
<b>3.ICE TYPE BUTTON</b>	Use this button to choose Cubed, Crushed or to turn the Ice feature off.
<b>4.FILTER CHANGE BUTTON</b>	When you change the filter, press this button for 3 seconds to reset the filter schedule.
<b>5.VACATION BUTTON</b>	<p>If you are going on vacation or business trip or you do not need to use the refrigerator, press the Vacation button. When you select vacation button for fridge compartment off, display LED of Vacation will be on.</p> <p><b>CAUTION</b></p> <ul style="list-style-type: none"> <li>• It is strongly requested to remove foods in the fresh-food compartment and do not leave the door open when you select Vacation function.</li> </ul>
<b>6.CHILD LOCK FUNCTION</b>	By pressing the Vacation button and the Fridge button simultaneously for 3 seconds, all buttons will be locked. The Water dispenser lever and the Ice lever will not work either. To cancel this function, Press these two buttons for 3 seconds again.
<b>7.FRIDGE BUTTON</b>	Press the Fridge button to set the fridge to your desired temperature. You can set temperature between 1°C and 7°C (34°F and 45°F).

### Using the control panel (optional)

“88” segment on Freezer part indicates the current Freezer temperature. “88” segment on Fridge part indicates the current Fridge temperature.



### Power Freeze

This icon will light up when you activate the “Power Freeze” feature.

When you don't need requirement, just press the button again to cancel the “Power Freeze” mode.

### CAUTION

- When you use this function the energy consumption of the refrigerator will increase. This function must be activated before putting large amount of food stuff in the freezer compartment at least 24 hours before.

### Child Lock

This icon will light up when you activate the Child Lock function by pressing the Vacation button or the Power Cool button and the Fridge button simultaneously for 3 seconds. Press these two buttons for 3 seconds again to reactivate.

### Filter Indicator (Optional)

When the filter indicator light is on, it is time to change the filter. Typically this happens about every 6 months. After removing the old water filter and installing a new one, reset the indicator status light by pressing the Ice Type button for about 3 seconds. The indicator will light again in about 6 months to let you know it is time to change your water filter. When you do not use the water filter, press the Ice Type button for more than 5 seconds, the Filter indicator lamp and the Filter Change letters will be off.

### Cubed Ice, Crushed Ice and turning the Ice maker off (Optional)

Enjoy cubed or crushed ice by selecting your preference from the digital control panel. If you don't need ice, turn the feature off to save on water and energy consumption. The Ice type light indicates the type of ice (or no ice) that is currently chosen.

## Controlling the temperature

### Controlling the Freezer temperature

The freezer temperature can be set between -14°C (8°F) and -25°C (-14°F) to suit your particular needs. Press the Freezer button repeatedly until the desired temperature is shown in the temperature display. Keep in mind that foods like ice cream may melt at -16°C (4°F).

The temperature display will move sequentially from -14°C (8°F) and -25°C (-14°F). When the display reaches -14°C (8°F), it will begin again at -25°C (-14°F).

Five seconds after the new temperature is set the display will again show the actual current freezer temperature. However, this number will change as the Freezer adjusts to the new temperature.

The temperature in two star sections are slightly higher than other freezer compartment.

### Controlling the Fridge temperature

The refrigerator temperature can be set between 7°C (45°F) and 1°C (34°F) to suit your particular needs. Press the Fridge button repeatedly until the desired temperature is shown in the temperature display.

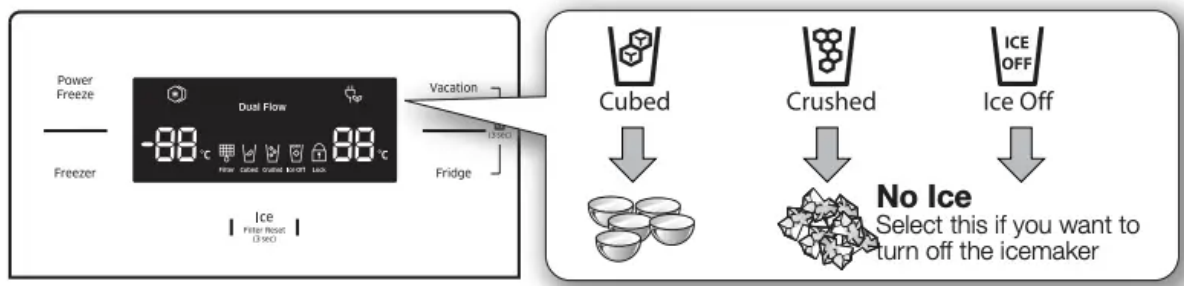
The temperature control process for the Fridge works just like the Freezer process. Press the Fridge button to set your desired temperature. After a few seconds, the Fridge will begin tracking towards the newly set temperature. This will be reflected in the digital display.

### CAUTION

- The temperature of the freezer or the refrigerator may rise from opening the doors too frequently, or if a large amount of warm or hot food is placed in either side.
- This may cause the digital display to blink. Once the freezer and refrigerator return to their normal set temperatures the blinking will stop.
- If the blinking continues, you may need to “reset” the refrigerator. Try unplugging the appliance, wait about 10 minutes and then plug back in.

### Using the ice and cold water dispenser (freezer)

Press the Ice Type button to select the type of ice you want

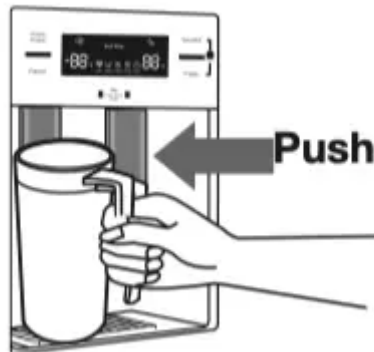


### NOTE

- Ice is made in cubes. When you select “Crushed”, the icemaker grinds the ice cubes into crushed ice.

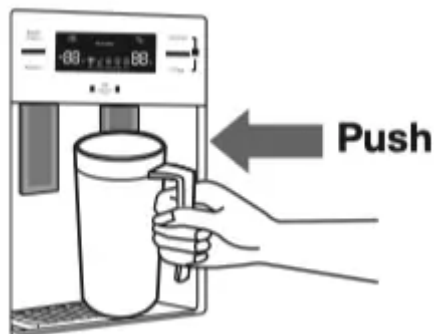
## Dispensing ice

Place your glass underneath the ice outlet and push gently against the ice dispenser lever with your glass. Make sure the glass is in line with the dispenser to prevent the ice from bouncing out.



## Using the Water Dispenser

Place a glass underneath the water outlet and push gently against the water dispenser lever with your glass. Make sure the glass is in line with the dispenser to prevent the water from splashing out.



## WARNING

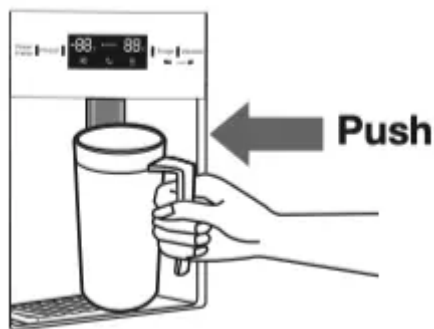
- Do not put your fingers, hands or any other unsuitable objects in the chute or ice-maker bucket.
  - It may result in personal injury or material damage.
- Never put finger or any other objects in the dispenser opening.
  - It may cause injury.
- Use only the ice maker provided with the refrigerator.
- The water supply to this refrigerator must only be installed/connected by a suitably qualified person and connect to a potable water supply only.
- In order to operate the ice maker properly, water pressure of 138 ~ 862 Kpa is required.

## CAUTION

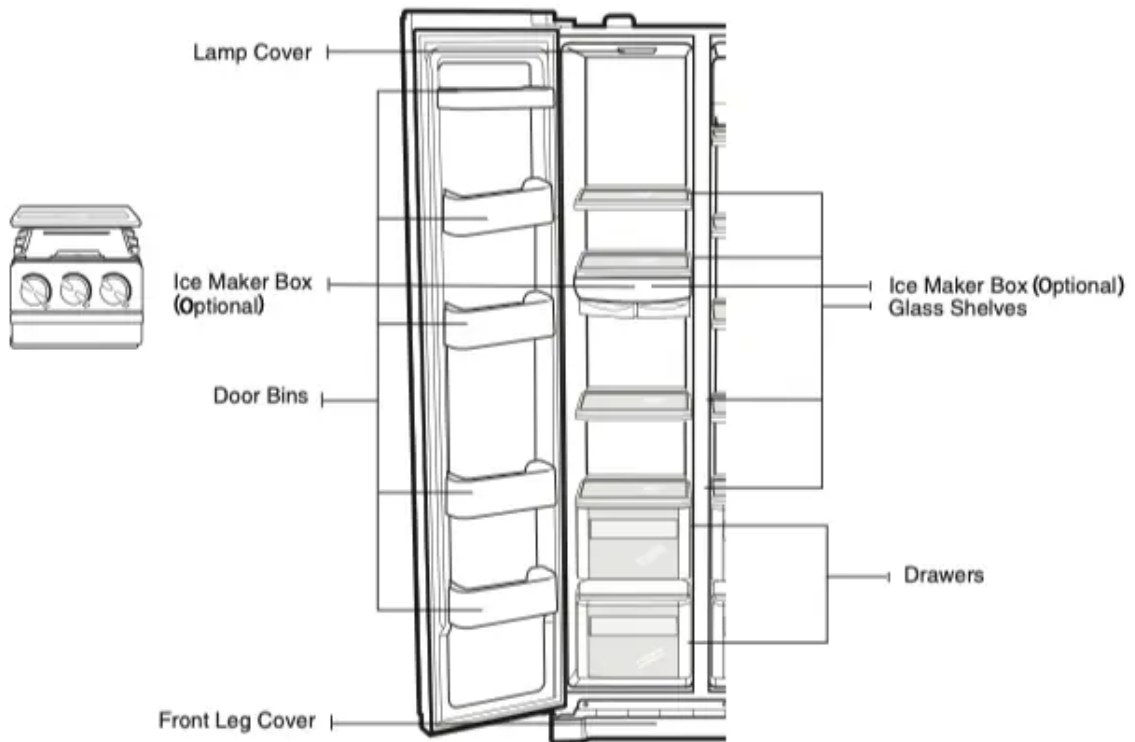
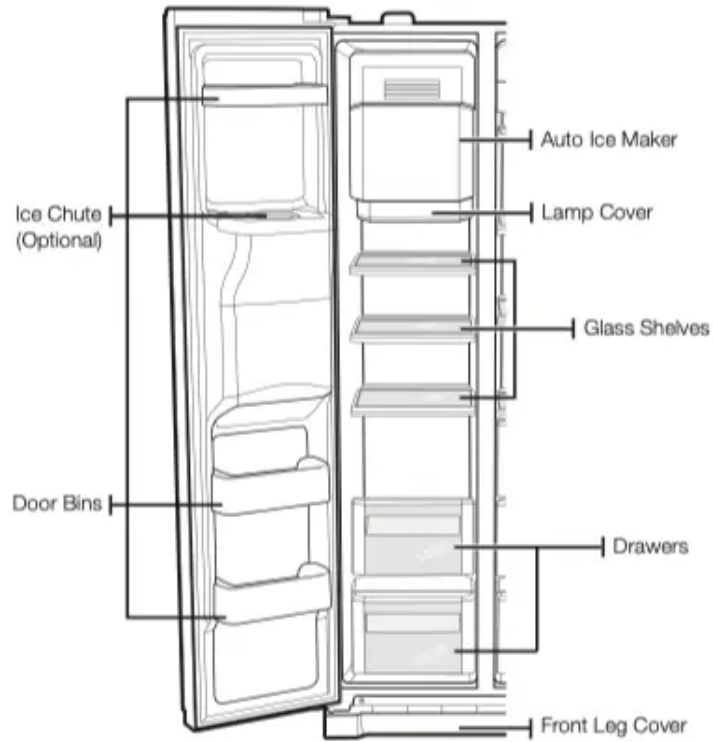
- If you have a long vacation or business trip and won't use water or ice dispensers, close the water valve.
- Otherwise, water leakage may occur.
- Wipe excess moisture from the inside and leave the doors open. - Otherwise, odor and mold may develop.

### **Using the cold water dispenser (fridge)**

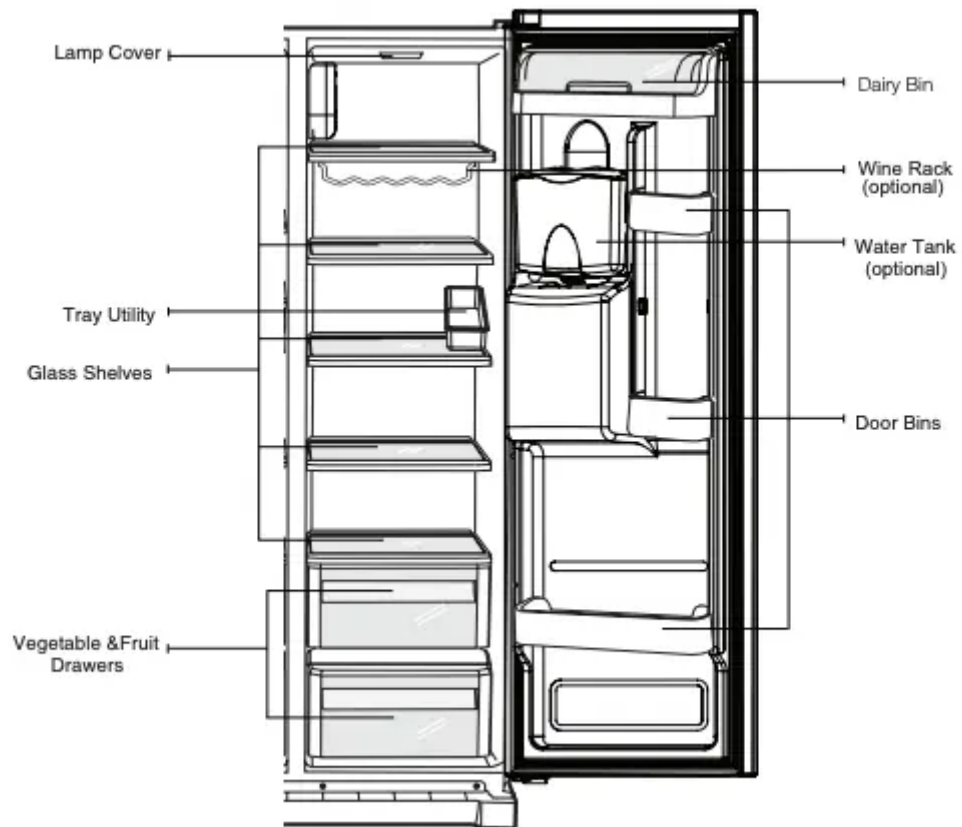
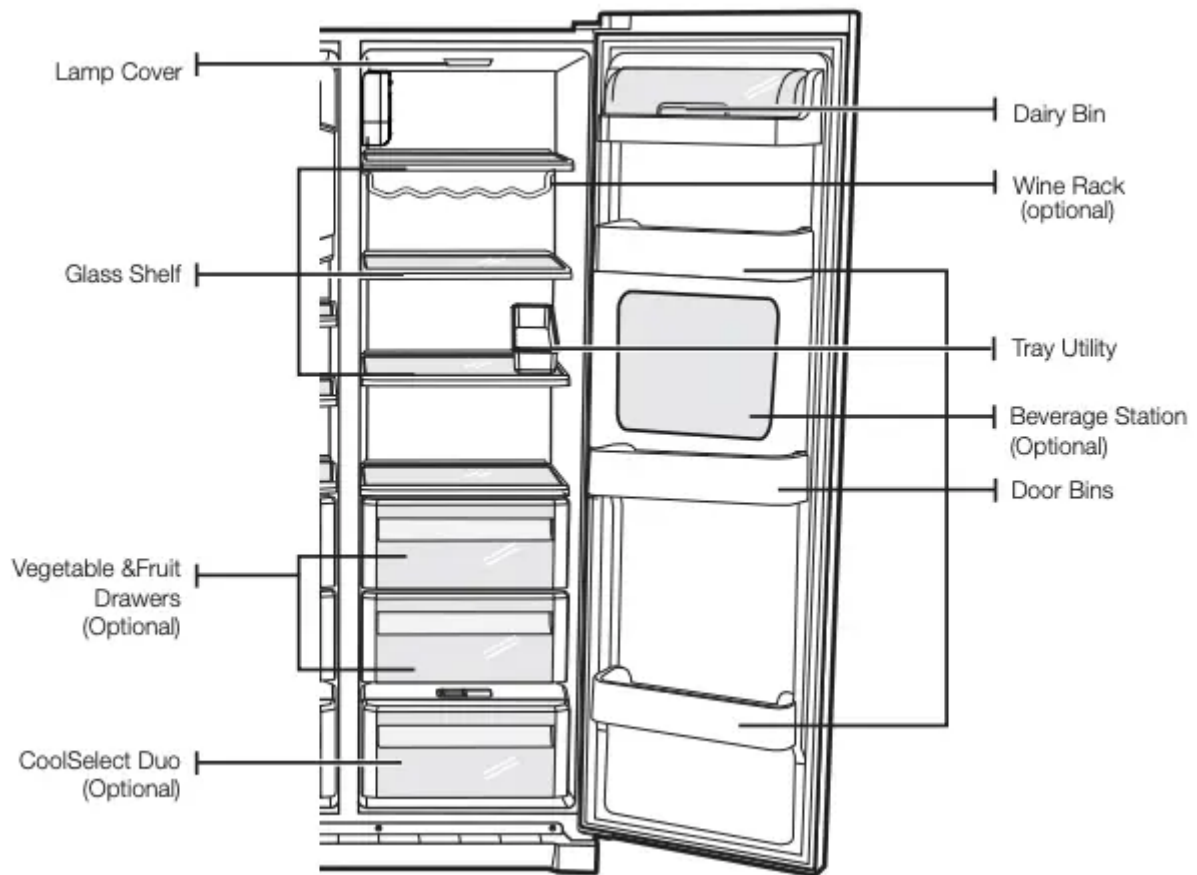
Place a glass underneath the water outlet and push gently against the water dispenser lever with your glass. Make sure the glass is in line with the dispenser to prevent the water from splashing out.



## Shelves and bins (freezer)



## Shelves and bins (freezer)



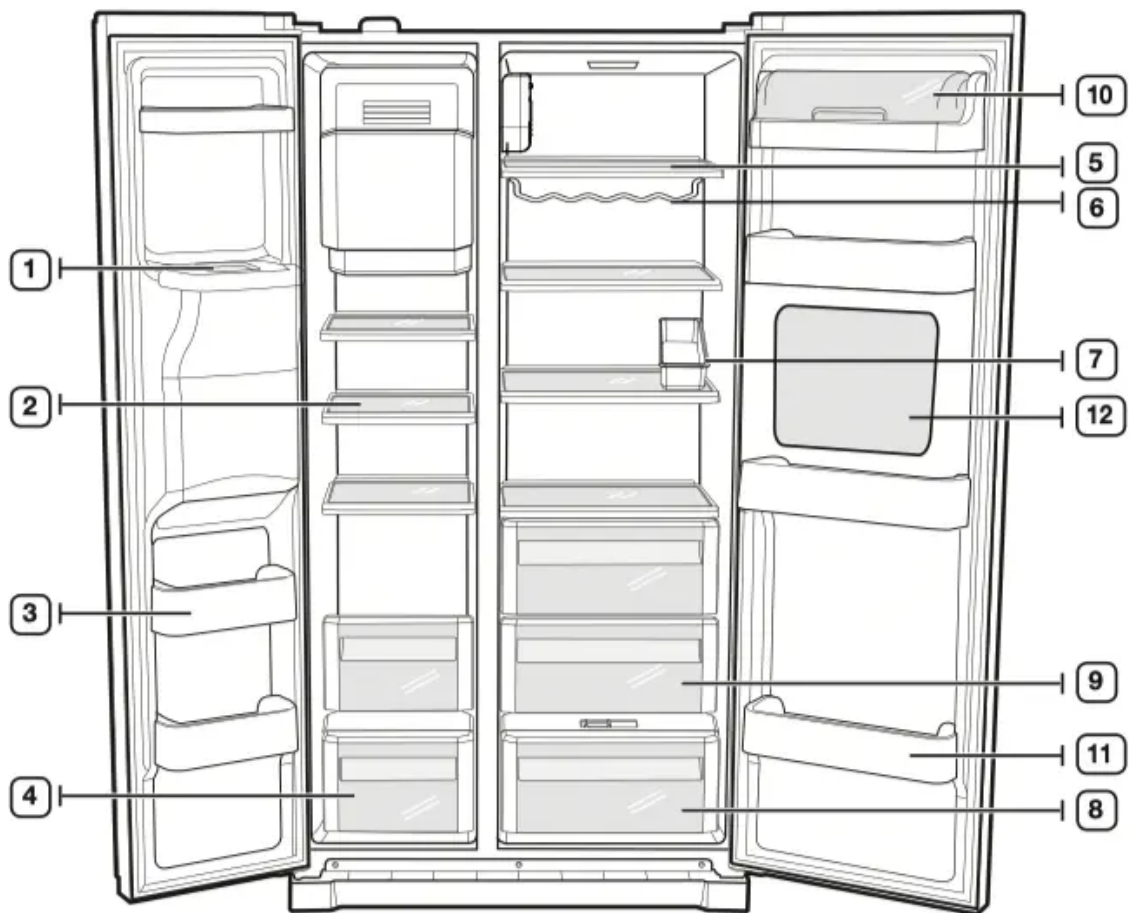
## Storing food

### Storing Food in the Freezer

The Samsung Side-By-Side Refrigerator has been designed to provide you with maximum spacesaving features and functions. Here are some of the customized compartments we have created to keep your food fresher, longer. Remember, in order to prevent odor penetration to the ice, stored food should be wrapped securely and as airtight as possible.

#### NOTE

- To get more space, you can remove freezer drawer(s) except bottom freezer drawer and ice trays, since it does not affect thermal and mechanical characteristics. A declared storage volume of frozen food storage compartment is calculated with these components removed.



### Storing Food in the Freezer

<b>1.ICE CHUTE</b>	Do not put your fingers, hands or any other objects in the ice chute or the ice maker bucket. This may result in personal injury or material damage.
<b>2.SHELVES</b>	Can be used to store all types of frozen food.
<b>3.DOOR BINS</b>	Can be used for small packages of frozen food.
<b>4.DRAWERS</b>	Best used to store meats or dry foods.Stored food should be wrapped securely using foil or other suitable wrapping materials or containers.

### Storing Food in the Fridge



<b>5.SHELVES</b>	Designed to be crack-resistant.They can be used to store all types of food and drinks.Circular marks on the glass surface are a normal phenomenon and can usually be wiped clean with a damp cloth.
<b>6 WINE RACK (OPTIONAI)</b>	A place in which the wine is placed.
<b>7.TRAY UTILITY</b>	Best place to keep eggs.Place the TRAY UTILITY on the shelf for easy access.
<b>8.COOSELECT DUO(OPTIONAI)</b>	Helps to preserve the taste, and prolong the freshness of your food. Use it to store meat,vegetable, poultry, fish or any other foods that are consumed on a regular basis.
<b>9.FRUIT &amp; VEGETABLE DRAWER</b>	Used to preserve the freshness of your stored vegetables and fruits. It has been specifically designed to control the level of humidity within the drawer.
<b>10.DAIRY BIN</b>	Can be used to store smaller dairy items like butter or margarine, yogurt or cream-cheese bricks.
<b>11.DOOR BINS</b>	Designed to handle large, bulky items such as gallons of milk or other large bottles and containers.
<b>12.BEVERAGE STATION (OPTIONAI)</b>	Canbe used to store the frequently used items,such as canned beverages and snacks and allows access to these items without opening the regrigerator door.

#### **NOTE**

Bottles should be stored tightly together so that they do not tip and fall out when the refrigerator door is opened.

#### **WARNING**

- If you plan to go away for a significant time, empty the refrigerator and turn it off. Wipe the excess moisture from the inside of the appliance and leave the doors open. This helps keep odor and mold from developing.
- If the refrigerator is not to be used for a long period of time, pull out the power plug.

- Deterioration in the insulation may cause fire.

## Using the cool select duo (optional)

The CoolSelect Duo is designed to make your busy life just a little bit easier.

### Meat

When MEAT is selected, the temperature of the CoolSelect Duo is suitable for storing meat or ham by entering chill or freezer to it. This feature also helps keep meat or ham fresh for longer.



### Vegetable

When VEGETABLE is selected, the temperature of CoolSelect Duo is suitable for storing vegetable or fruit by closing chill or freezer to it. This feature also helps keep vegetable or fruit.



### NOTE

- When "Meat or Vegetable" is in operation, any items that you do NOT want affected should be moved out of the drawer.

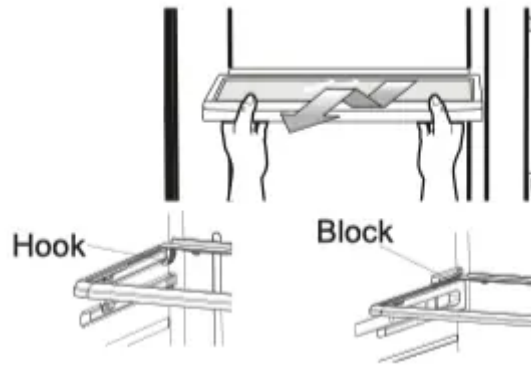
## Removing the freezer accessories

Cleaning and rearranging the interior of the freezer is a snap.

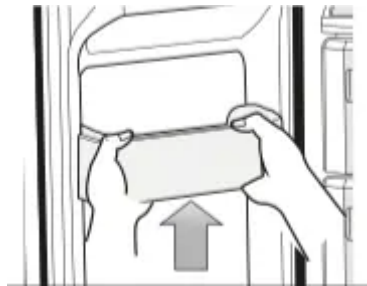
1. Remove the Glass Shelf by pulling the shelf out as far as it will go. Then, gently lift it up and remove it.

### CAUTION

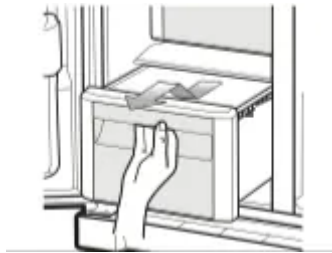
- In case it does not have hooks itself in the back side for not being tilted, a shelf should be placed deeply in a proper position where there are blocks for shelves as shown. If not, the shelf can fall out of a refrigerator.



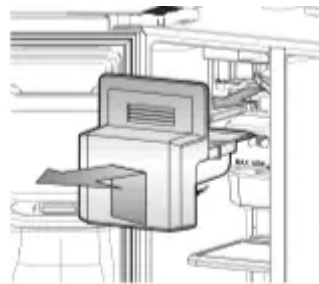
2.Remove the Door Bin by holding the door bin with both hands and then gently lift it up.



3.Remove the Plastic Drawer by pulling it out and slightly lifting it up.

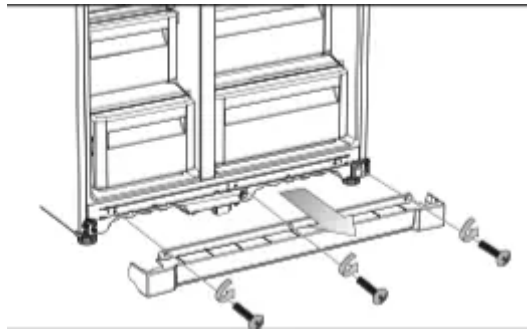


4.Remove the Icemaker Bucket by lifting up and pulling it out.



5.Remove the Front Leg Cover by opening both the freezer and refrigerator doors, and removing the three screws. Once the screws are free, detach the cover. To reattach the front leg cover, place it back in its original position and tighten the three screws.

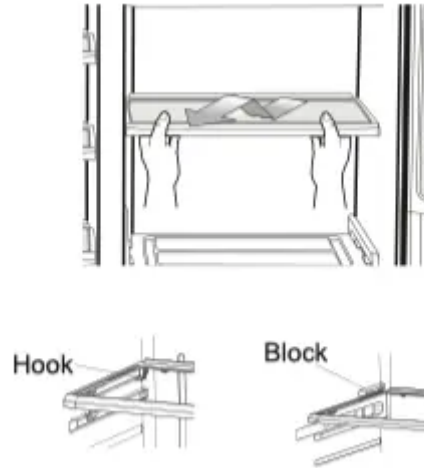




## NOTE

- Do not use excessive force when removing the cover.
- Otherwise, the cover may break and cause injury.

## Removing the freezer accessories



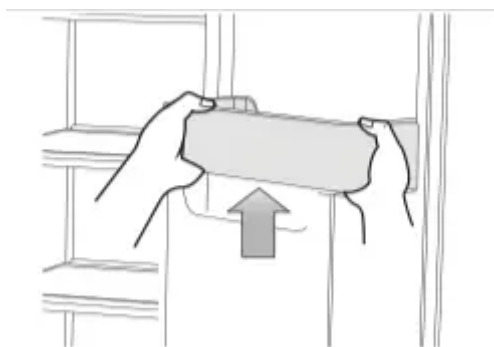
## CAUTION

- In case it does not have hooks itself in the back side for not being tilted, a shelf should be placed deeply in a proper position where there are blocks for shelves as shown. if not, the shelf can fall out of a refrigerator.

2. Remove the Vegetable & Fruit Drawer by pressing on the indentations found on the inside left and right sides of the Veggie Box/ Dry Box cover and remove by pulling forward. Holding the drawer with one hand, lift it up a little bit while pulling it forward and take it out of the refrigerator.



3.Remove the Gallon Door Bin by holding the bin with both hands and gently lifting it up.



4.Push the Case Fixer handle, and lift the Water Tank up, then take it out.



#### NOTE

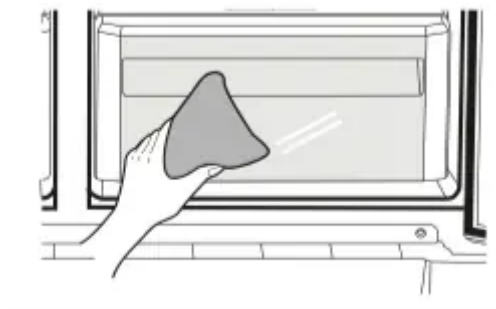
- Before removing any accessories, make sure that no food is in the way. When possible, remove the food altogether to reduce the risk of accidents.

## Cleaning the refrigerator

Caring for your Samsung Side-By-Side Refrigerator prolongs the life of your appliance and helps keep it odor and germ-free.

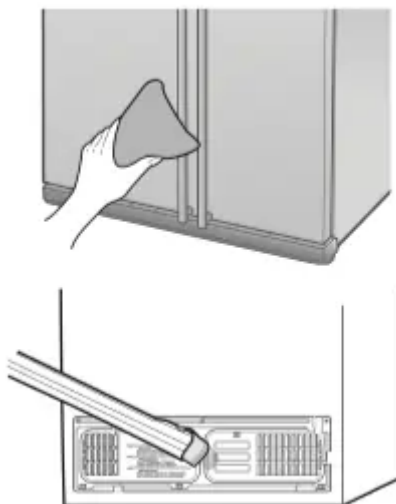
### Cleaning the Interior

Clean the inside walls and accessories with a mild detergent and then wipe dry with a soft cloth. You can remove the drawers and shelves for a more thorough cleaning. Just make sure to dry them before putting them back into place.



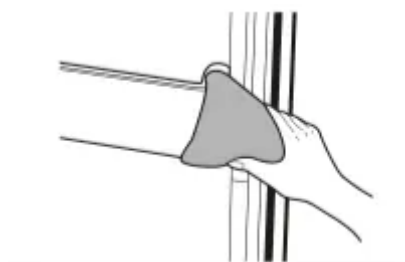
## Cleaning the Exterior

Wipe the digital panel and display panel with a clean, soft cloth. Spray water onto the cleaning cloth instead of spraying directly on the surface of the refrigerator. This helps ensure an even distribution of moisture to the surface. The doors, handles and cabinet surfaces should be cleaned with a mild detergent and then wiped dry with a soft cloth. To keep your appliance looking its best, the exterior should be polished once or twice a year.



## WARNING

- Do not use Benzene, Thinner or Clorox™ for cleaning.
- They may damage the surface of the appliance and can create a risk of fire. If the rubber door seals are dirty the doors may not close properly, and the refrigerator will not operate efficiently. Keep the door seals free of grit or grime by cleaning the doors with a mild detergent and damp cloth. Wipe dry with a clean, soft cloth.

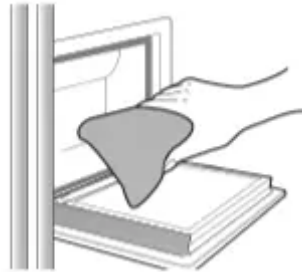


## CAUTION

- Do not spray the refrigerator with water while it is plugged in, as it may cause an electric shock. Do not clean the refrigerator with benzene, thinner or car detergent for risk of fire.

## Cleaning the Home Bar

Use a damp cloth to clean the ice and water dispenser. Then wipe dry with a clean, soft cloth.



## Changing the interior lights

### WARNING

- Do not replace LED lamp privately and please contact the specialized repair staff if necessary.
- And make it sure that the new LED lamp is the same as the old one. Do not break the lamp cover .

## Using the doors

The refrigerator doors are equipped with a door opening and closing feature that ensures that the doors close all the way and are securely sealed.

After opening beyond a certain point, the door will “catch” and remain open. When the door is ajar ahead of the catch that allows it to stay open, it will close automatically.

## Troubleshooting

Symptom	Action
<p><b>The refrigerator does not work at all or it does not chill sufficiently.</b></p>	<ul style="list-style-type: none"> <li>• Check that the power plug is properly connected.</li> <li>• Is the temperature control on the display panel set to the correct temperature? Try setting it to a lower temperature.</li> <li>• Is the refrigerator in direct sunlight or located too near a heat source?</li> <li>• Is the back of the refrigerator too close to the wall and therefore keeping air from circulating?</li> </ul>
<p><b>The food in the fridge is frozen.</b></p>	<ul style="list-style-type: none"> <li>• Is the temperature control on the display panel set to the correct temperature? Try setting it to a warmer temperature.</li> <li>• Is the temperature in the room very low?</li> <li>• Did you store the food with a high water content in the coldest part of the fridge? Try moving those items into the body of the fridge instead of keeping them in the CoolSelect Duo™ drawer.</li> </ul>
<p><b>You hear unusual noises or sounds.</b></p>	<ul style="list-style-type: none"> <li>• Check that the refrigerator is level and stable.</li> <li>• Is the back of the refrigerator too close to the wall and therefore keeping air from circulating?</li> <li>• Was anything dropped behind or under the refrigerator?</li> <li>• A “ticking” sound is heard from inside the refrigerator. This is normal and occurs because various accessories are contracting or expanding in relation to the temperature of the refrigerator interior.</li> </ul>
<p><b>The front corners and sides of the appliance are hot and condensation is occurring.</b></p>	<ul style="list-style-type: none"> <li>• Some heat is normal as anti-condensators are installed in the frontcorners of the refrigerator to prevent condensation</li> <li>• Is the refrigerator door ajar? Condensation can occur when you leave the door open for a long time.</li> </ul>
<p><b>Ice is not dispensing.</b></p>	<ul style="list-style-type: none"> <li>• Did you wait for 12 hours after installation of the water supply line before making ice?</li> <li>• Is the water line connected and the shut-off valve open?</li> </ul>



	<ul style="list-style-type: none"> <li>• Did you manually stop the ice making function? Make sure Ice Type is set to Cubed or Crushed.</li> <li>• Is there any ice blocked within the ice storage unit?</li> <li>• Is the freezer temperature too warm? Try setting the freezer temperature lower.</li> </ul>
<b>You can hear water bubbling in the refrigerator</b>	<ul style="list-style-type: none"> <li>• This is normal. The bubbling comes from the refrigerant coolant liquid circulating through the refrigerator.</li> </ul>

<b>There is a bad smell in the refrigerator.</b>	<ul style="list-style-type: none"> <li>• Has a food item spoiled?</li> <li>• Make sure that strong smelling food (for example, fish) is wrapped so that it is airtight.</li> <li>• Clean out your freezer periodically and throw away any spoiled or suspect food.</li> </ul>
<b>Frost forms on the walls of the freezer.</b>	<ul style="list-style-type: none"> <li>• Is the air vent blocked? Remove any obstructions so air can circulate freely.</li> <li>• Allow sufficient space between the foods stored for efficient air circulation.</li> <li>• Is the freezer door closed properly?</li> </ul>
<b>Water dispenser is not functioning.</b>	<ul style="list-style-type: none"> <li>• Is the water line connected and the shut-off valve open?</li> <li>• Has the water supply line tubing been crushed or kinked? Make sure the tubing is free and clear of any obstruction.</li> <li>• Is the water tank frozen because the refrigerator temperature is too low? Try selecting a warmer setting on the main display panel.</li> </ul>
<b>The alarm does not sound even though the door is open?</b>	<ul style="list-style-type: none"> <li>• The door alarm only sounds when the refrigerator door is ajar at an angle of more than 15 for more than 2 minutes. Initially, the alarm sounds with 10 consecutive rings, then rings 10 consecutive times every minute.</li> </ul>

**Warning**



This content is compiled from multiple sources and is provided for reference purposes only. It may not be complete or fully applicable to all situations. If you are unable to resolve your issue, please contact the product manufacturer or an authorized service provider for official support.

---

Document generated by [ManualsFile](#)

