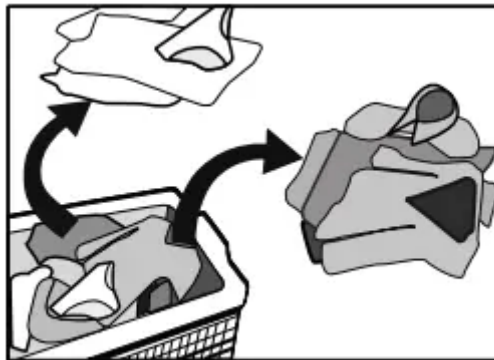


Operating Instructions

WARNING – To reduce the risk of fire, electric shock, or injury to persons, read the IMPORTANT SAFETY INSTRUCTIONS before operating this appliance.

Checklist and preparation before washing clothes

- Please read this operation method carefully to avoid the troubles of washing machine and damages of clothes.



- After a white towel touched with liquid detergent is used to wash the inconspicuous corners of the clothes, check if the white towel is stained with clothes' original color.
- As for the scarves and those clothes that easily get decolorized among imported clothes, please wash them separately before washing.
- As for the stains on sleeves, collars and pockets, use the liquid detergent and wash it with brush gently. Finally put them into the washing machine to achieve more ideal washing effects.
- As for temperature-sensitive clothes, they shall be washed as required in the labels. Otherwise, it may cause color change or distortion.

Keep in Mind: Never put the clothes to be washed in washing machine for a long period of time. Otherwise it may get moldy and cause spots. Therefore, please wash the clothes in a timely fashion. The clothes also may get color changed or distorted if they are not washed according to the stated washing temperature.

Clothes that can not be washed by washing machine

- The clothes that may get distorted if being immersed in water: Ties, waistcoats, western-style clothes, outer garments etc. may have obvious shrinkage if being immersed in water; the decolorized clothes such as blended spinning clothes of artificial fiber etc.

Checklist and preparation before washing clothes

- Wrinkle-style clothes, embossed clothes, resin clothes etc. may get distorted when being immersed in water. Among cotton and wool materials, the clothes that get easily distorted are wrinkle-style silk, fur products and fur decorations;
- Clothes with decoration, long dress and traditional clothes etc are the products to get decolorized easily.
- Please do not wash the clothes without material labels and washing requirements.
- Never wash the clothes stained with the chemicals such as gasoline, petroleum, benzene, paint thinner and alcohol.

Please pay attention with regard to detergents

- “Low suds” detergent or washing powder or washing powder special for drum washing machine shall be selected according to fiber types (cotton, synthetic fiber, soft products and wool products), colors, washing temperatures, degrees and types of dirtiness. Otherwise, excessive bubbles may be generated and overflowed out of the drawer so that accidents may take place.
- Alkali bleaches can damage clothes, so it is suggested to use as little as possible.
- Powder detergents can easily leave the residues in the clothes so as to generate the bad smell, so they shall be sufficiently rinsed.
- Detergent can not easily get dissolved completely if there is too much detergent or water temperature is rather low. It can remain in clothes, pipes and washing machines to pollute the clothes.
- Washing shall follow the weight of clothes, degrees of dirtiness, local water hardness as well as the recommendations from the detergent manufacturers. Please consult the water company if you are not clear of water hardness.
- Note: Keep detergents and additives in safe and dry places out of touch by kids.

Please take out the items out of the pockets.

- Please check the pockets of the clothes to be washed, empty the rigid items such as decorations and coins, otherwise washing machine may be damaged or have abnormal troubles.

For the clothes to be washed, they are classified according to the following characteristics:

- The symbol types of care labels: the clothes to be washed are classified into cotton, blended fiber, synthetic fiber, silk, wool and artificial fiber.
- Color: whites and colors shall be identified. All new colorful articles shall be washed in a separate way.

Checklist and preparation before washing clothes

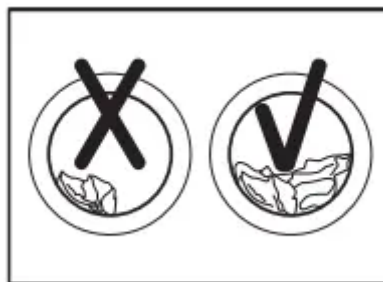
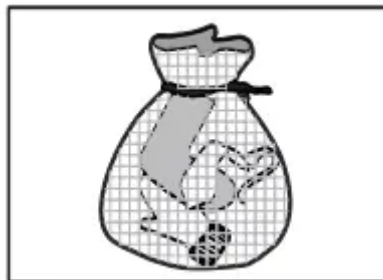
- Size: the articles of different sizes are washed together to increase the washing effects. Sensitivity: soft articles shall be washed separately. As for new pure wool textiles, curtains and silks, the soft washing procedure shall be selected. Check the labels in all washing articles.
- The clothes shall be sorted before being put into washing machine. As for the curtains with hooks, the hooks shall be removed before being washed.
- The decorations on the clothes may damage the washing machine. As for the clothes with buttons or embroideries, they shall be turned over before being washed.

Fasteners:

- Zippers shall be zipped and buttons or hooks shall be fixed. The loose band or ribbon shall be bound together.

WARNING

- It is suggested to put bras into the pillow slip with zip or buttons sealed to prevent the steel wire from popping out of bras into the drum and damaging the machine.
- Especially delicate textiles such as lace curtains and small articles (tight socks, handkerchiefs, ties etc.) shall be put into string bag for washing.



- When washing a single big and heavy item such as Turkish towels, jeans, wadded jackets etc., it may easily cause great eccentricity and give alarm due to great unbalance. Therefore it is suggested to add one or two more clothes to be washed together so that draining can be done smoothly.

Clean away dusts, stains and pet hairs from the clothes.

- The clothes may be damaged and disturb washing effects during the friction between dusts, stains and clothes.

To protect baby skin

- Baby articles (baby clothes and towels) including diapers shall be washed separately. If they are washed together with the adults' clothes, they may be infected. Rinsing times shall be increased to ensure the thorough rinsing and cleaning without the detergent residues.
- It is suggested that the parts that are easily stained such as white sockets, collars and sleeves etc. shall be hand washed before being put into washing machine to achieve more ideal washing effects.
- Please use powder or liquid detergents. The residues of the soap could remain in the gaps of the clothes if soap is used.

Checklist and preparation before washing clothes

- Confirm the washing capacity: Do not put excessive washings; otherwise it may affect the washing effects. Please confirm the maximum allowable washing quantity according to the following table.

Fiber Type	Maximum Loading Capacity
	7.0kg (15.4 lbs)
Cotton	7.0kg (15.4 lbs)
Synthetic	3.5kg (7.7 lbs)
Wool	2.5kg (5.5 lbs)

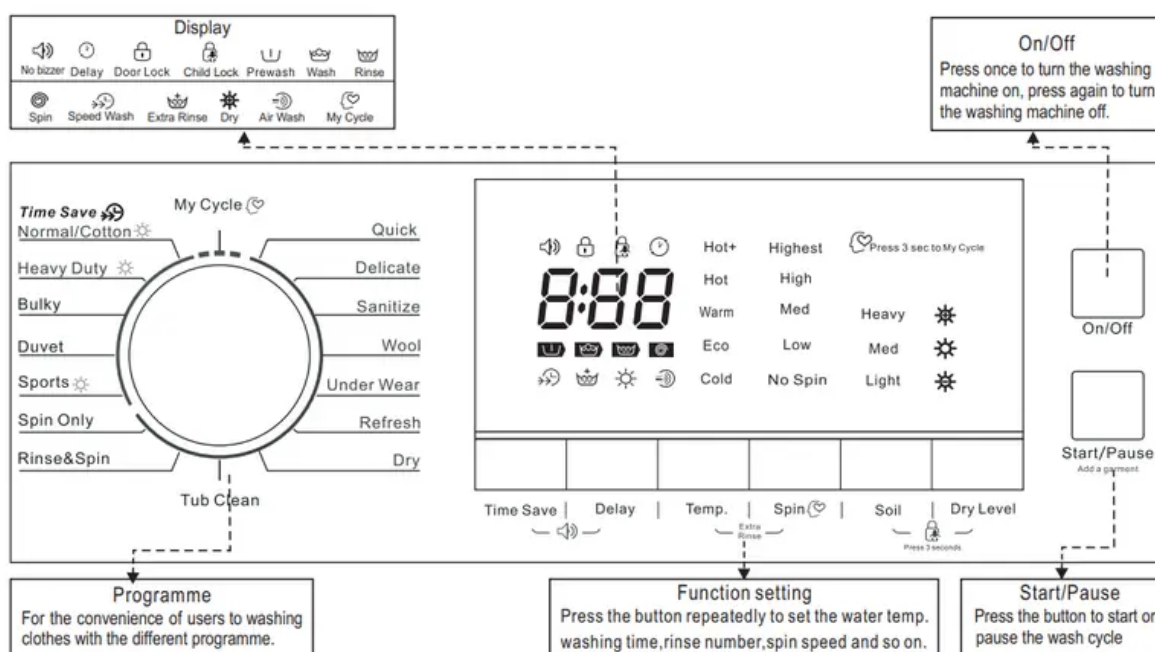
- The clothes which easily get fuzzed shall be turned over for washing
 - The clothes which easily get fuzzed shall be washed separately; otherwise the other articles can be contaminated. Preferably, black clothes and cotton clothes shall be washed separately because they can easily become covered with fibers of other colors when being washed together.
 - Please check before washing.
- Washing machine shall not wash water-proof materials (ski suits, outside napkin pads, curtains).
 - As for the fiber products that water can not get soaked easily into such as water-proof cushions, and clothes, it is better not to wash. Otherwise there will be water bursting out or abnormal vibration to cause danger while rinsing and



draining so that the clothes also may be damaged. (Such as outer diaper pads, raincoats, umbrella, ski suits, car covers, sleeping sacks etc.)

- Cautions during - Draining Draining of normal clothes:
 - Wash water is drained through drain hole.
 - Draining of water-proof clothes and fiber products: In the normal washing and draining status, moistures of water-proof clothes and fiber products can not be drained while water is gathered in one direction so that the eccentricity of washing machine is too great and vibration or moving is caused.

View of control panel



Notes:

1. The Control panel line chart is for reference only,Please refer to real product as standard.
2. The Control panel could be changed without written notice. Please visit the website of Washing Machine or call up the service line for consultation.
3. The programme with can be added with Dry function

View of the programme

- Normal/Cotton: You can select this procedure to wash the daily washable clothes. The washing period is quite long with quite strong washing intensity.
- Heavy Duty: This program is intended for washing the heavy clothing .
- Bulky: This program is intended for washing the large clothing .

- Duvet: This program is specially designed for washing duvet covers.
- Sports: You can select this procedure to wash the sportswear.
- Spin Only: Separate Spin Procedure.
- Rinse&Spin: Separate Rinse&Spin Procedure.
- Tub Clean: This cycle is specially set in this machine to clean the drum and tube. It applies high temperature sterilization to make the clothes washing more green. When this procedure is performed, the clothes or other washing cannot be added. When proper amount of chlorine bleaching agent is put in, the barrel cleaning effect will be better.
- Quick: This procedure is suitable for washing few and not very dirty clothes quickly.
- Delicate: You can select this procedure to wash your delicate clothes. Its washing intensity is gentler and revolution speed is less compared with the procedure "Synthetic". It is recommended for the articles to be washed gently.
- Sanitize: It applies high temperature sterilization to sanitize the clothes ,but does not drain the water, you need to select other programme to complete the process.
- Wool: You can select this procedure to wash the wool textiles labeled with "Machine Wash". Please select the proper washing temperature according to the label on the articles to be washed. Furthermore, the proper detergent shall be selected for wool textiles.
- Under Wear: Underwear cycle which is specially made for washing underwear is more demanding on rinsing strength and will operate one more time than other cycles.
- Refresh: During this cycle, there is only hot air rather than water ejecting from inside the drum to wash the clothing.
- Dry: Select Very Dry or Light Dry with the knob,The drying temperature is different, select the drying time according to the load .
- My Cycle: Press Spin 3sec.for My Cycle to memorize the programme.The default My Cycle procedure is Normal/Cotton.

The Special function

- Time Save: The function can decrease the washing time.
- Delay: Delay function can be set with this button, the delaying time is 0-24H. Set the delay function:
 1. Select a programme;
 2. Press the Delay button to choose the time;
 3. Press Start/Pause to commence the Delay operation. Cancel the Delay function : Press the Delay button until the display will be 0H . It should be pressed before starting the program. If the program already started, should press the On/Off button. Notes: If there is any break in the power supply while

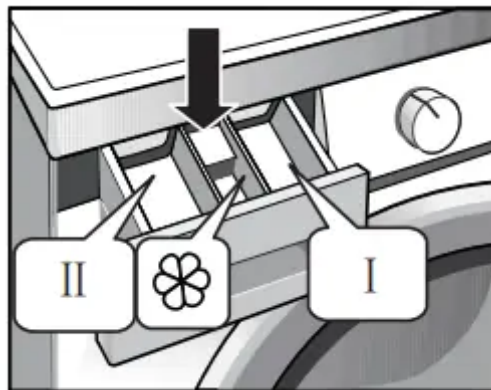
the machine is operating, a special memory stores the selected programme and when the power is restarted, press the Start/Pause button to continue.

- Add a garment: This operation can be executed during the washing procedure. When the drum of the washing machine is still rolling and there is a large amount of water with high temperature in the drum, the state is unsafe and the door cannot be opened forcefully. Press 《Start/Pause》 to add a garment midway during the function. Please follow the steps as below:

1. Wait until the drum stops rotation.
2. The door lock is unlocked.
3. Close the door when the additional clothes are loaded and repress the 《Start/Pause》 button.


Before the first use

Before washing any clothes, the washing machine shall be operated in one round of the whole procedures without clothes in as follows:



1. Connect power source and water.
2. Put a little detergent into the box and close it.
3. Press the button "Power".
4. Press the button "Start/Pause".

The drawer is separated as follows:

- I: Pre-detergent or washing powder.
- II: main detergent, softener, pre-dip, bleaching or decontaminating products
-  : washing additive, such as fabric softener.

Put detergent into washing machine.

1. Pull out the drawer.
2. Fill pre-detergent into Case I (when necessary).

3. Fill detergent into Case II.
4. Fill softener into Case (when necessary).

Notes:

- As for the agglomerated or ropy detergent or additive, before they are poured into the detergent box, it is suggested to use some water for dilution to prevent the inlet of detergent box from being blocked and overflowing while filling water.
- Please choose suitable type of detergent for the various washing temperature to get the best washing effect with less water and energy consumption.

Start up washing machine

- Connect the power. Check if water pipes are connected properly. Open the tap completely. Put in the clothes to be washed and fill detergent and softener compartments. Then press the button “Power”, Select the proper procedures and functions and press the button “Start/Pause”.

Select the procedure

- The proper washing procedures shall be selected according to the types, quantities, and dirtiness of the clothes to be washed in combination with the following washing temperature table.

Extra Hot	Seriously besmirched, pure white cotton or linen (for example: table cloths, towels, bed sheets)
Hot	Moderately besmirched, colorful linen, cotton and synthetic articles with certain decolorizing degree (for example: shirts, night pajamas; Slightly besmirched, pure white linen (for example: underwear)
Warm	Normally besmirched articles (including synthetic and wool)

Care And Cleaning

Before your maintenance starts, please do pull out the power plug or disconnect power and close the tap

WARNING

- To avoid damaging the washing machine, do not use solvents. Toxic gases may be generated and explode.
- Never use water to sprinkle and wash the washing machine.
- It is forbidden that the detergents containing PCMX are used to clean the washing machine.

- Certain internal parts are intentionally not grounded and may present a risk of electric shock only during servicing. Service Personnel-Do not contact the following parts while the appliance is energized: motor, pump and heater.

Cleaning and Maintenance of Washing Machine Cabinet

- Proper maintenance on the washing machine can extend its working life. The surface can be cleaned with diluted non-abrasive neutral detergents when necessary. If there is any water overflow, use a cloth to wipe it up immediately. No sharp items are allowed to strike the cabinet.
- Notes: formic acid and its diluted solvents or equivalent are forbidden.

Clean Internal Drum

- Rust left inside the drum by the metal articles shall be removed immediately with chlorine-free detergents.
- Never use steel wool.
- If the Washing Machine: When the temperature drops below zero and your washing machine gets frozen, you may:
 1. Disconnect the power supply for the washing machine.
 2. Wash the tap with warm water to loosen inlet pipe.
 3. Take down inlet pipe and immerse it in warm water.
 4. Pour warm water into washing drum and wait for 10 minutes.
 5. Reconnect inlet pipe to the tap and check whether inlet and outlet are working normally.
- Notes: when the washing machine is reused, make sure the ambient temperature is above 0 C

Anti-freeze

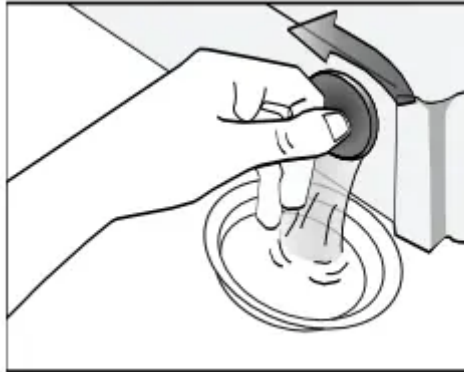
- If your washing machine is located in the room where it can get frozen easily, please drain the remaining water inside drain pipe and inlet pipe thoroughly.

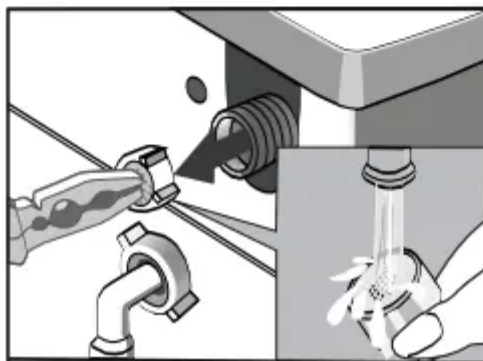
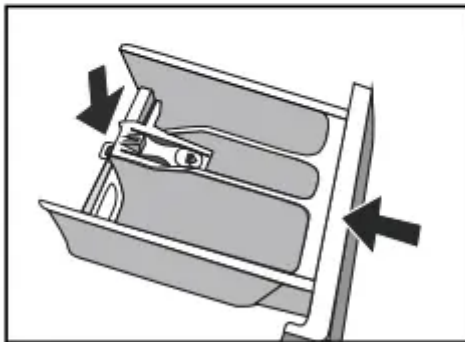
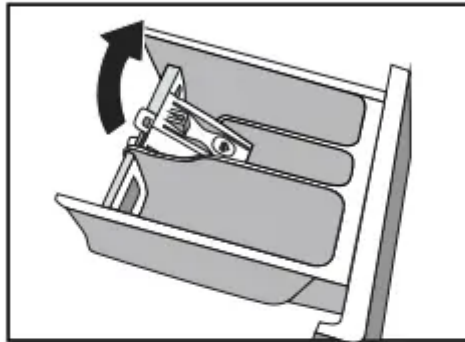
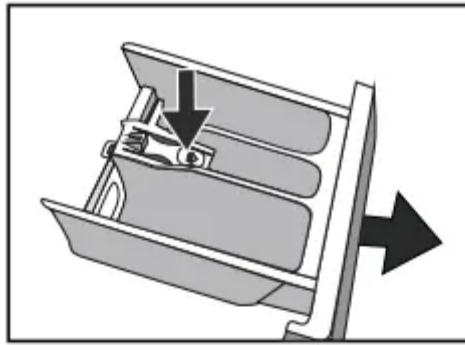
Remove the remaining water in inlet pipe:

1. Close the tap.
2. Screw off the inlet pipe from tap and put its end into a container.
3. Start up any procedure except single Wash or Drain procedure. Water will be drained out of inlet pipe if any for about 40 seconds.
4. Reconnect the inlet pipe to tap.

Remove the remaining water in drain pump

- **WARNING:** To avoid burning, it shall be done after the hot water inside the machine cools down





Clean detergent box and grooves

Clean detergent drawer and grooves

1. Press down the arrow location on softener cover inside the drawer.
2. Lift the clip up and take out softener cover and wash all grooves with water.
3. Restore the softener cover and push the drawer into position.

Clean inlet filter

Inlet filter must be cleaned if there is not any or insufficient water in when the tap is opened.

Clean the tap filter:

1. .Close the tap.
2. Select any procedure except “Wash” or “Drain” procedure.
3. Press the button “Start/Pause” and keep the procedure running for about 40 seconds.
4. Remove the inlet pipe from the tap.
5. Use water to wash the filter.
6. Reconnect the inlet pipe.

Washing the filter in washing machine:

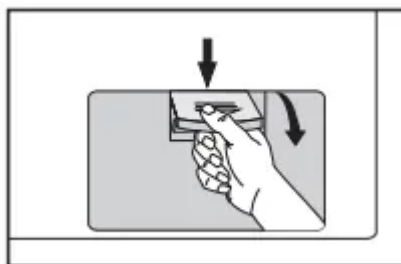
1. Screw off the inlet pipe from the backside of the machine.
2. Pull out the filter with long nose pliers and reinstall it back after being washed.
3. Reconnect the inlet pipe.
4. Open the tap and make sure there is no water leakage.
5. Close the tap.

WARNING: Pull out the power plug to avoid electrical shock before washing. After using the washing machine, pull out the power cord and close the door tightly.

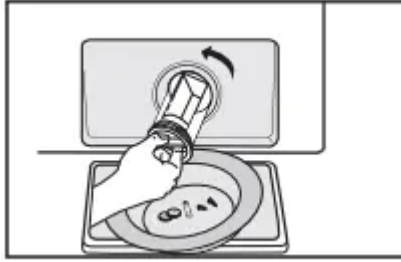
Remove foreign matters

Drain Pump Filter:

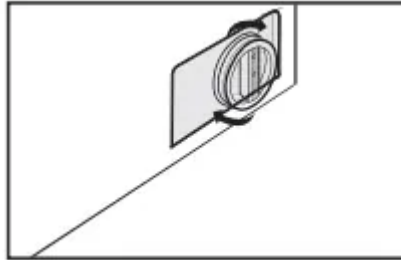
- Drain pump filter can filter threads and other foreign matter from the wash water.
- Clean the filter periodically to ensure the normal operation of washing machine
- WARNING: According to the soil level within the cycles and the frequency of the cycles, you have to inspect and clean the filter regularly. The pump should be inspected if the machine does not empty and/or spin; The machine makes an unusual noise during draining due to objects such as safety pins, coins etc. blocking the pump.
- To clean filter proceed as follows:
 1. After the power is disconnected, use hand to open the filter cover.



2. Turn the filter down as shown with the figure and take out foreign matter.



3. Reinstall each part back after foreign matter is removed.



Warning! When the appliance is in use and depending on the programme selected there can be hot water in the pump. Never remove the pump cover during a wash cycle, always wait until the appliance has finished the cycle, and is empty. When replacing the cover, ensure it is securely re-tightened.

Troubleshooting Tips

Troubles	Reason	Solution
Washing machine cannot start up		Check if the door is closed tightly. Check if power plug is inserted well. Check if water supply tap is opened. Check if button "On/Off" is pressed. Check if button "Start/Pause" is pressed
Door cannot be opened	Machine's safety protection design is working.	Disconnect the power.
Heating fault	NTC is damaged and heating pipe is aging	Can normally wash the clothes. Only cannot wash with heating. Shall contact the service center promptly.
Water leakage	The connection between inlet pipe or outlet hose and tap or washing machine is not tight. Drain pipe in the room is blocked.	Check and fasten water pipes. Clean up outlet hose and ask a specialized person to repair it when necessary.
Water has overflowed from the bottom of the machine	The inlet pipe is not connected firmly. Outlet hose has water leakage.	Fix the inlet pipe. Replace the drain hose.
Indicator or display does not light.	Power is disconnected. PC board has problems. Harness has connection problem.	Check if the power is shut down and power plug is connected correctly. If not, please call up service line.
Detergent residues in the box	Washing powder is dampened and agglomerated.	Clean and wipe the box. Use liquid detergents or the detergents special for drum.
Washing effects are not good	The clothes are too dirty. Insufficient detergent quantity	Select a proper procedure. Add the proper detergent quantity according to the instructions in detergent package.
Abnormal noise Great vibration		Check if the fixing bolts have been removed. If cabinet is installed on a solid and level floor.

		<p>Check if there are any barrettes or metal articles inside.</p> <p>Check if the legs on the washing machine are adjusted level.</p>
--	--	---

Remove The Problems

Alarm Code	Description	Reason	Solution
E30	Door lock problem	Door is not closed properly	Restart after the door is closed
		Please call up service line if there are still troubles.	
E10	Water injecting problem when washing (water injecting time exceeds 5 minutes)	Tap is not opened or water flows too slowly. Inlet valve filter is blocked. Inlet pipe is twisted. If water is not supplied	Open the tap or wait till the water supply becomes normal. Check inlet valve filter. Straighten the water pipe. Check the other taps in the room.
		Please call up service line if there are still troubles.	
E21	Drain problem while washing (drain time exceeds 3 minutes)	Outlet hose is blocked or twisted Drain pump is blocked	Wash and straighten outlet hose. Wash drain pump filter
		Please call up service line if there are still troubles.	
Please call up the service line if there is any other problem.			

Technical Specifications

Parameter	
Power Supply	120V , 60Hz
Dimension(W*D*H)	595*565*850
Net Weight	79kg (174lb)
Washing Capacity	7.0kg (15.4lb)
Rated Current	12A
Standard Water Pressure	0.05MPa~1MPa

Warning

This content is compiled from multiple sources and is provided for reference purposes only. It may not be complete or fully applicable to all situations. If you are unable to resolve your issue, please contact the product manufacturer or an authorized service provider for official support.