

## PRECAUTIONS

### PRECAUTIONS TO AVOID POSSIBLE EXPOSURE TO EXCESSIVE MICROWAVE ENERGY

- (a) result in harmful exposure to microwave energy. It is important not to defeat or tamper with the safety interlocks.
- (b) Do not place any object between the oven front face and the door or allows soil or cleaner residue to accumulate on sealing surfaces.
- (c) Do not operate the oven if it is damaged. It is particularly important that the oven door close properly and that there is no damage to the:
  - (1) DOOR (bent)
  - (2) HINGES AND LATCHES (broken or loosened)
  - (3) DOOR SEALS AND SEALING SURFACES
- (d) The oven should not be adjusted or repaired by anyone except properly qualified service personnel

## SPECIFICATIONS

Model:	FMO11AHTBKB
Rated Voltage:	120V~60Hz
Rated Input Power(Microwave):	1500W
Rated Output Power(Microwave):	1000W
Oven Capacity:	1.1 cubic feet
Turntable Diameter:	Ø12.4 inches
External Dimensions:	20.2(W)x16.5(D)x12.1(H)inches
Net Weight:	Approx 31.0Lbs

## GROUNDING INSTRUCTIONS

This appliance must be grounded. In the event of an electrical short circuit, grounding reduces the risk of electric shock by providing an escape wire for the electric current. This appliance is equipped with a cord having a grounding wire with a grounding plug. The plug must be plugged into an outlet that is properly installed and grounded.



## **RADIO INTERFERENCE**

1. Operation of the microwave oven may cause interference to your radio, TV or similar equipment.
2. When there is interference, it may be reduced or eliminated by taking the following measures:
  - 1) Clean door and sealing surface of the oven
  - 2) Reorient the receiving antenna of radio or television.
  - 3) Relocate the microwave oven with respect to the receiver.
  - 4) Move the microwave oven away from the receiver.
  - 5) Plug the microwave oven into a different outlet so that microwave oven and receiver are on different branch circuits

## **SAFETY**

1. The oven must be on a leveled surface.
2. The turntable and turntable roller rest must be in the oven during cooking. Place the cookware gently on the turntable and handle it carefully to avoid possible breakage.
3. Incorrect use of browning dish may cause the turntable to break.
4. Use only the specified bag size when using Direct Access Popcorn.
5. The oven has several built-in safety switches to ensure that the power remains off when the door is open. Do not tamper with these switches.
6. Do not operate the microwave oven empty. Operating the oven with no food or food that is extremely low in moisture can cause fire, charring or sparking.
7. Do not cook bacon directly on the turntable. Excessive local heating of the turntable may cause the turntable to break.
8. Do not heat baby bottles or baby food in the microwave oven. Uneven heating may occur and could cause physical injury.
9. Do not heat narrow-necked containers, such as syrup bottles.
10. Do not attempt to deep-fry in your microwave oven.
11. Do not attempt home canning in this microwave oven, as it is impossible to be sure all contents of the jar have reached boiling temperature.
12. Do not use this microwave oven for commercial purpose. This microwave oven is made for household use only.

13. To prevent delayed eruptive boiling of hot liquids and beverages or scalding yourself, stir liquid before placing the container in the oven and again halfway through cooking time. Let stand in the oven for a short time and stir again before removing the container.

14. Use carefully when cooking food in the microwave oven to avoid burning due to excessive cooking.

15. When the appliance is operated in the combination mode, children should only use the oven under adult supervision due to the temperatures generated.

16. Failure to maintain the oven in a clean condition could lead to deterioration that could adversely affect the life of the appliance and possibly result in a hazardous situation.

## UTENSILS

See the instructions on “Materials you can use in microwave oven or to be avoided in microwave oven.”

There may be certain non-metallic utensils that are not safe to use for microwaving. If in doubt, you can test the utensil in question following the procedure below.

Utensil Test:

1. Fill a microwave-safe container with 1 cup of cold water (250ml) along with the utensil in question.
2. Cook on maximum power for 1 minute.
3. Carefully feel the utensil. If the empty utensil is warm, do not use it for microwave cooking.
4. Do not exceed 1 minute cooking time.

## MATERIALS YOU CAN USE IN MICROWAVE OVEN

**Aluminum foil:** Shielding only. Small smooth pieces can be used to cover thin parts of meat or poultry to prevent overcooking. Arcing can occur if foil is too close to oven walls. The foil should be at least 1 inch (2.5cm) away from oven walls.

**Browning dish:** Follow manufacturer\* instructions. The bottom of browning dish must be at least 3/16 inch (5mm) above the turntable. Incorrect usage may cause the turntable to break.

**Dinnerware:** Microwave-safe only. Follow manufacturer’s instructions. Do not use cracked or chipped dishes.

**Glass jars :** Always remove lid. Use only to heat food until just warm. Most glass jars are not heat resistant and may break.

**Glassware :** Heat-resistant oven glassware only. Make sure there is no metallic trim. Do not use cracked or chipped dishes.

**Oven cooking bags** : Follow manufacturer\* instructions. Do not close with metal tie. Make slits to allow steam to escape.

**Paper plates and cups** : Use for short term cooking/warming only. Do not leave oven unattended while cooking.

**Paper towels** : Use to cover food for reheating and absorbing fat. Use with supervision for a short-term cooking only.

**Parchment paper** : Use as a cover to prevent splattering or a wrap for steaming.

**Plastic** : Microwave-safe only. Follow the manufacturer\* instructions. Should be labeled “Microwave Safe”. Some plastic containers soften, as the food inside gets hot. “Boiling bags” and tightly closed plastic bags should be slit, pierced or vented as directed by package.

**Plastic wrap** : Microwave-safe only. Use to cover food during cooking to retain moisture. Do not allow plastic wrap to touch food.

**Thermometers** : Microwave-safe only (meat and candy thermometers).

**Wax paper** : Use as a cover to prevent splattering and retain moisture.

**Aluminum tray** : May cause arcing. Transfer food into microwave-safe dish.

**Food carton with metal handle** : May cause arcing. Transfer food into microwave-safe dish.

**Metal or metal-trimmed utensils**: Metal shields the food from microwave energy. Metal trim may cause arcing

**Metal twist ties** : May cause arcing and could cause a fire in the oven.

**Paper bags** : May cause a fire in the oven.

**Plastic foam** : Plastic foam may melt or contaminate the liquid inside when exposed to high temperature.

**Wood** : Wood will dry out when used in the microwave oven and may split or crack.

## SETTING UP YOUR OVEN

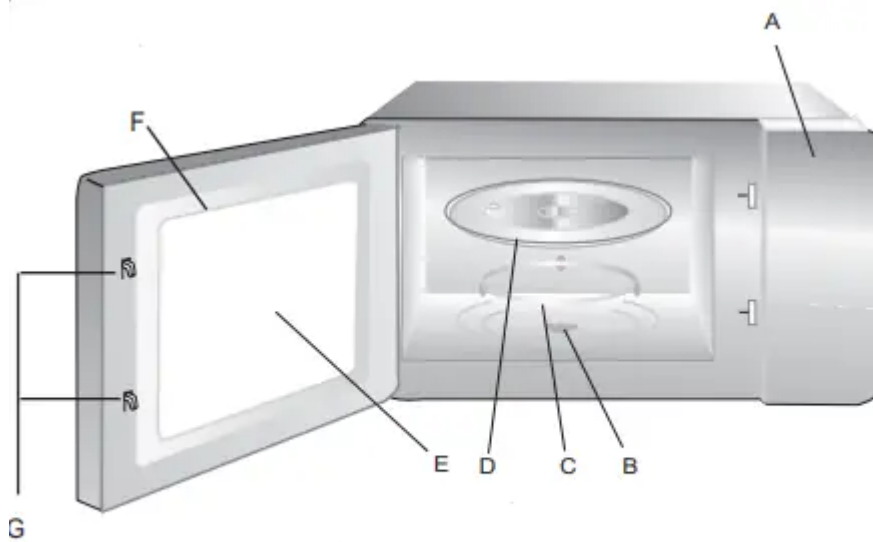
### Names of Oven Parts and Accessories

Remove the oven and all materials from the carton and oven cavity. Your oven comes with the following accessories:

Glass tray 1

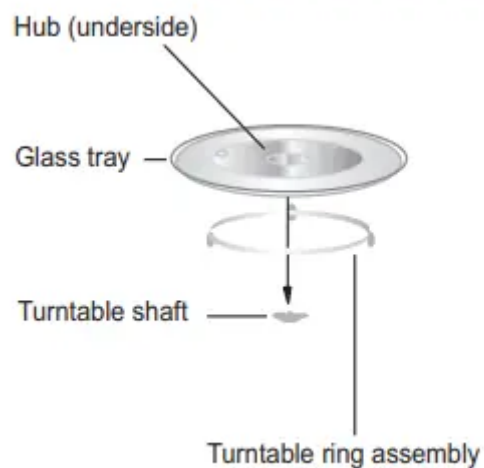
Turntable ring assembly 1

Instruction Manual 1



- A) Control panel
- B) Turntable shaft
- C) Turntable ring assembly
- D) Glass tray
- E) Observation window
- F) Door assembly
- G) Safety interlock system

### Turntable Installation



- a. Never place the glass tray upside down. The glass tray should never be restricted.
- b. Both glass tray and turntable ring assembly must always be used during cooking.
- c. All food and containers of food are always placed on the glass tray for cooking.

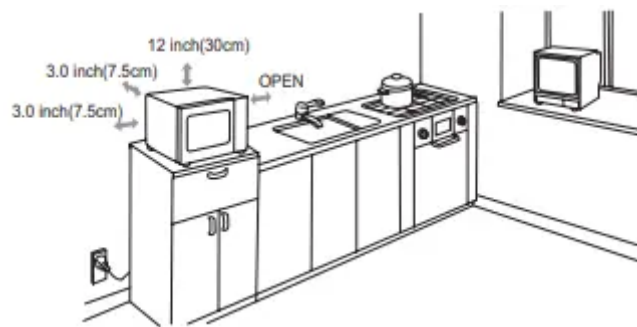
d. If glass tray or turntable ring assembly cracks or breaks, contact your nearest authorized service center.

### Counter-top Installation

Remove all packing material and accessories. Examine the oven for any damage such as dents or broken door. Do not install if oven is damaged.

Cabinet: Remove any protective film found on the microwave oven cabinet surface. Do not remove the light brown Mica cover that is attached to the oven cavity to protect the magnetron.

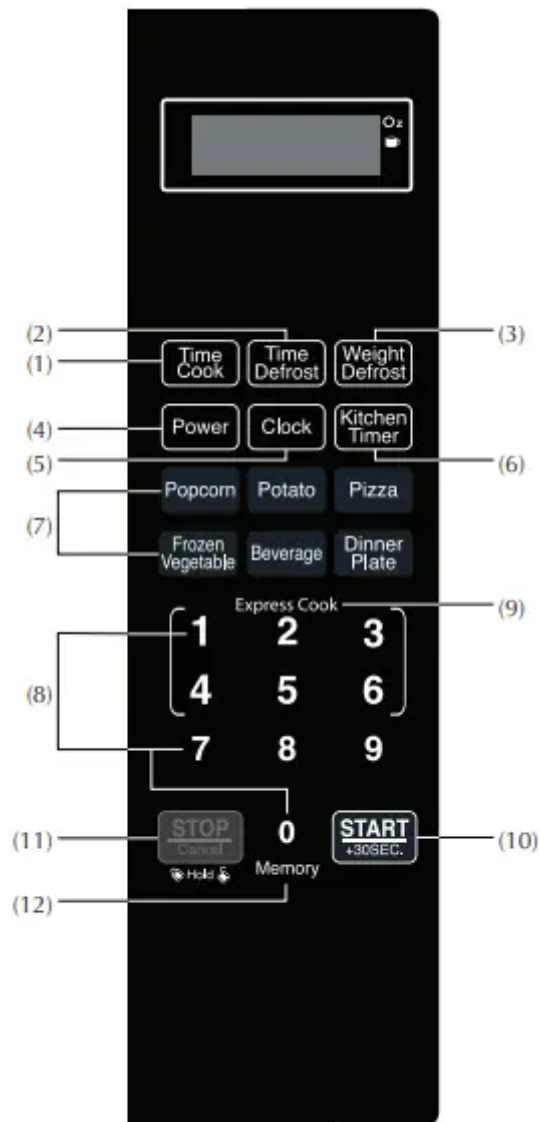
1. Select a level surface that provide enough open space for the intake and/or outlet vents



A minimum clearance of 3.0 inches (7.5cm) is required between the oven and any adjacent walls. One side must be open.

- (1) Leave a minimum clearance of 12 inches (30cm) above the oven.
  - (2) Do not remove the legs from the bottom of the oven.
  - (3) Blocking the intake and/or outlet openings can damage the oven.
  - (4) Place the oven as far away from radios and TV as possible. Operation of microwave oven may cause interference to your radio or TV reception.
2. Plug your oven into a standard household outlet. Be sure the voltage and the frequency is the same as the voltage and the frequency on the rating label.

# CONTROL PANEL



- (1) Time Cook
- (2) Time Defrost
- (3) Weight Defrost
- (4) Power (11 power levels available)
- (5) Clock
- (6) Kitchen Timer
- (7) Auto Cook Menu (Popcorn, Potato, Pizza, Frozen Vegetable, Beverage, Dinner Plate)
- (8) Number Pad (0-9)
- (9) Express Cook (Number Pad 1-6)



(10) START/ADD 30 SEC (Begin cooking time or add time to cooking)

(11) Stop/CANCEL (Before cooking starts, press to clear all previous settings; during cooking, press once to stop oven; press twice to stop oven and clear all settings.)

(12) Memory function

## OPERATION

### 1. POWER LEVEL

11 power levels are available.

<b>Level</b>	10	9	8	7	6	5	4	3	2	1	0
<b>Power</b>	100%	90%	80%	70%	60%	50%	40%	30#	20%	10%	0%
<b>Display</b>	PL10	PL9	PL8	PL7	PL6	PL5	PL4	PL3	PL2	PL1	PL0

### 2. CLOCK SETTING

(1) Press "Clock" , "00:00" will display.

(2) Press the number keys and enter the current time. For example, time is 10:12 now, please press "1,0,1,2" in turn.

(3) Press "Clock" to finish clock setting. ":" will flash and the clock will be lighted.

(4) If the numbers input are not within the range of 1:00--12:59, the setting will be invalid until valid numbers are input.

### 3. MICROWAVE COOK

(1) Press "TIMECOOK" once, the screen will display "00:00".

(2) Press number keys to input the cooking time; the maximum cooking time is 99 minutes and 99 seconds.

(3) Press "POWER" once, screen will display "PL10". The default power is 100% power. Now you can press number keys to adjust the power level.

(4) Press "START/ADD 30sec" to start cooking.

Example: To cook the food with 50% microwave power for 15 minutes.

a. Press "TIMECOOK" once."00:00" displays.

b. Press "1", "5", "0", "0" in order.

c. Press "POWER"once,then press "5" to select 50% microwave power

d. Press "START/ADD 30sec" to start cooking.

### 4. KITCHEN TIMER

(1) Press "Kitchen Timer" once, the screen will display 00:00.

(2) Press the number keys and enter the timer time. (The maximum cooking time is 99 minutes and 99 seconds.)

(3) Press "START/ADD 30sec" to confirm setting

(4) When the timer time arrives, the buzzer will ring 3 times, screen display the correct time.

Note:

1. The kitchen time is differ from 12-hour system, Kitchen Timer is a timer.

2. Kitchen Timer and cooking (including microwave, defrosting, Auto menu) are independent, all the cooking for functions can be set during running Kitchen Timer, Kitchen Timer can be set during running other cooking functions.

Example: When oven is cooking with 50% microwave power for 15 minutes, screen display countdown cooking time, you want to set timer 10 minutes

a. Press "Kitchen Timer" once, the screen will display 00:00

b. Press the number keys and enter the timer time. If no entering timer in 10 seconds, timer set is canceled and oven return to countdown cooking time.

c. Press "START/ADD 30sec", timer is operated. If no press "START/ADD 30sec" in 10 seconds , timer set is canceled and oven return to countdown cooking time.

## **5. EXPRESS COOKING**

(1) In waiting state, instant cooking at 100% power level with 30 seconds' cooking time can be started by pressing "START/ADD 30sec". Each press on the same button will increase cooking time by 30 seconds. The maximum cooking time is 99 minutes and 99 seconds.

(2) If not ready cooking, press number pads 1-6 to quickly cook from 1-6 minutes at 100% power. Press " " to increase the cooking time; the maximum cooking time is 99 minutes "START/ADD 30sec" and 99 seconds.

Note: During microwave cooking, time defrost and auto menu, time can be added by pressing "START/ADD 30sec" button.

## **6. CANCEL QUICKLY**

(1) During setting or running procedure, only pressing "STOP/CANCEL" can stop current states and turn back to the waiting states.

## **7. WEIGHT DEFROST FUNCTION**

(1) Press "Weight Defrost" once, screen will display "dEF1";

(2) Press numerical buttons to input weight to be defrosted. Input the weight ranged between 4~100Oz.Z If the weight input is not within 4~100, the input will be invalid.

(3) Press "START/ADD 30sec" to start defrosting and the cooking time remained will be displayed.

## **8. TIME DEFROST FUNCTION**

(1) Press "Time Defrost" once, screen will display "dEF2".

(2) Press number pads to input defrosting time. The effective time range is 00:01~99:99.

(3) The default microwave power is power level 3 and it cannot be changed.

(4) Press "START/ADD 30sec" to start defrosting. The remained cooking time will be displayed.

## **9. POPCORN**

(1) Press "POPCORN" repeatedly until the number you wish appears in the display, "1.75", "3.0", "3.5" Oz will display in order. For example, press "POPCORN" once, "1.75" appears.

(2) Press "START/ADD 30sec" to cook, buzzer sounds once. When cooking finish, buzzer sounds five times and screen will display the correct time.

## **10. BEVERAGE**

(1) Press "BEVERAGE" repeatedly until the number you wish appears in the display, "1", "2" cup will display in order. One cup is about 8 Oz. For example, press "BEVERAGE" once, "1" appears.

(2) Press "START/ADD 30sec" to cook, buzzer sounds once. When cooking finish, buzzer sounds five times and screen will display the correct time.

## **11. PIZZA REHEAT**

(1) Press "PIZZA" repeatedly until the number you wish appears in the display, "4.0", "8.0", "14.0" will display in order. For example, press "PIZZA" once, "4.0" appears.

(2) Press "START/ADD 30sec" to cook, buzzer sounds once. When cooking finish, buzzer sounds five times and screen will display the correct time.

## **12. POTATO**

(1) Press "POTATO" repeatedly until the number you wish appears in the display, "1", "2", "3" will display in order. For example, press "POTATO" once, "1" appears.

(2) Press "START/ADD 30sec" to cook, buzzer sounds once. When cooking finish, buzzer sounds five times and screen will display the correct time.

## **13. FROZEN VEGETABLE**

(1) Press “FR VEGETABLE “ repeatedly until the number you wish appears in the display, “4.0”, “8.0”, “16.0” will display in order. For example, press “FR VEGETABLE” once, “4.0” appears.

(2) Press “START/ADD 30sec“ to cook, buzzer sounds once. When cooking finish, buzzer sounds five times and screen will display the correct time. will display the correct time. will display the correct time.

#### **14. DINNER PLATE**

(1) Press “DINNER PLATE “ repeatedly until the number you wish appears in the display, “9.0”, “12.0”, “18.0” Oz will display in order. For example, press “DINNER PLATE” once, “9.0” appears.

(2) Press “START/ADD 30sec“ to cook, buzzer sounds once. When cooking finish, buzzer sounds five times and screen will display the correct time.

#### **15. MEMORY FUNCTION**

(1) Press “0/MEMORY” to choose memory 1-3 procedure. The screen will display 1,2,3.

(2) If the procedure has been set, press “ START/ADD 30sec “ to use it. If not, continue to set the procedure. Only one or two stages can be set.

(3) If the procedure has not been set, after finishing the setting, press “Favorite” once to save the procedure and turn back to the waiting states. If press “START/ADD 30sec“ it will start cooking at once and save the procedure too.

Example: To set the following procedure as the second memory, that is memory 2. To cook the food with 80% microwave power for 3minutes and 20 seconds.

The steps are as follow:

a. In waiting states, press “0/MEMORY” twice, stop pressing until the screen displays “2”.

b. Press “ TIME COOK “ once, then press “3”, “2”, “0” in order.

c. Press “POWER“ once, “PL10” display, then press “8” and “PL8” displays.

d. Press “Favorite” to save the setting. Buzzer sounds once then turn back to waiting states. If you press “START/ADD 30sec” again, the procedure will be saved as the memory 2 and operated.

e. If the electricity is not cut off, the procedure will be saved all the time. If it is, the procedure need to reset.

f. When you want to run the saved procedure, in waiting states, press “Favorite” twice, screen displays “2”, then press “ START/ADD 30sec “ to start cooking.

Note: Auto menu can not be set in memory function.

## 16. MULTI-STAGE COOKING

At most 2 stages can be set for cooking. In multi-stage cooking, if one stage is defrosting, then defrosting shall be placed at the first stage automatically.

Note: Auto menu cannot work in the multi-stage cooking.

Example: If you want to cook with 80% microwave power for 5 minutes + 60% microwave power for 10 minutes. The cooking steps are as following:

- a. Press " TIME COOK " once, then press "5", "0", "0" to set the cooking time;
- b. Press "POWER" once, then press "8" to select 80% microwave power.
- c. Press " TIME COOK " once, then press "1", "0", "0", "0" to set the cooking time;
- d. Press "POWER" once, then press "6" to select 60% microwave power.
- e. Press "START/ADD 30sec" to start cooking

## 17. INQUIRING FUNCTION

In the microwave cooking state, press "POWER" to inquire microwave power level, and the current microwave power will be displayed. After three seconds, the oven will turn back to the previous state. In multi-stage state, the inquiring way can be done by the same way as above.

## 18. LOCK FUNCTION FOR CHILDREN

Lock: In waiting state, press "STOP/CANCEL" for 3 seconds, there will be a long "beep" denoting the entering into the children-lock state, and the lock indicator will light. The screen will display the current time or "0:00".

Unlock: In locked state, press "STOP/CANCEL" for 3 seconds, there will be a long "beep" denoting that lock is released.

## 19. COOKING END REMINDING FUNCTION

When the cooking is over, the buzzer will sound 5 "beep" to alert user the cooking is finished.

## 20. OTHER SPECIFICATIONS

- (1) In standby state, if the set clock digital tube displays current time, the icon ":" would flash; otherwise, it shows "0:00".
- (2) In setting function state, the screen displays corresponding setting.
- (3) In working or pause state, the screen displays surplus cooking time.
- (4) When the cooking is finish, the screen will display the correct time. Opening the door or pressing "STOP/CANCEL" can make the oven enter waiting state.

# MAINTENANCE

## Troubleshooting

Check your problem by using the chart below and try the solutions for each problem. If the microwave oven still does not work properly, contact the nearest authorized service center.



<b>Trouble</b>	<b>Possible Cause</b>	<b>Possible Remedy</b>
Oven will not start	<ul style="list-style-type: none"> <li>a. Electrical cord for oven is not plugged in.</li> <li>b. Door is open.</li> <li>c. Wrong operation is set</li> </ul>	<ul style="list-style-type: none"> <li>a. Plug into the outlet.</li> <li>b. Close the door and try again.</li> <li>c. Check instructions.</li> </ul>
Arcing or sparking	<ul style="list-style-type: none"> <li>a. Materials to be avoided in microwave oven were used.</li> <li>b. The oven is operated when empty.</li> <li>c. Spilled food remains in the cavity</li> </ul>	<ul style="list-style-type: none"> <li>a. Use microwave-safe cookware only.</li> <li>b. Do not operate with oven empty.</li> <li>c. Clean cavity with wet towel.</li> </ul>
Unevenly cooked foods	<ul style="list-style-type: none"> <li>a. Materials to be avoided in microwave oven were used.</li> <li>b. Food is not defrosted completely.</li> <li>c. Cooking time, power level is not suitable.</li> <li>d. Food is not turned or stirred.</li> </ul>	<ul style="list-style-type: none"> <li>a. Use microwave-safe cookware only.</li> <li>b. Completely defrost food.</li> <li>c. Use correct cooking time, power level.</li> <li>d. Turn or stir food.</li> </ul>
Overcooked foods	Cooking time, power level is not suitable.	Use correct cooking time, power level.
Undercooked foods	<ul style="list-style-type: none"> <li>a. Materials to be avoided in microwave oven were used.</li> <li>b. Food is not defrosted completely.</li> <li>c. Oven ventilation ports are restricted.</li> <li>d. Cooking time, power level is not suitable.</li> </ul>	<ul style="list-style-type: none"> <li>a. Use microwave-safe cookware only.</li> <li>b. Completely defrost food.</li> <li>c. Check to see that oven ventilation ports are not restricted.</li> <li>d. Use correct cooking time, power level.</li> </ul>

Improper defrosting	<ul style="list-style-type: none"> <li>a. Materials to be avoided in microwave oven were used.</li> <li>b. Cooking time, power level is not suitable.</li> <li>c. Food is not turned or stirred.</li> </ul>	<ul style="list-style-type: none"> <li>a. Use microwave-safe cookware only.</li> <li>b. Use correct cooking time, power level.</li> <li>c. Turn or stir food.</li> </ul>
---------------------	---	--

## IMPORTANT SAFETY INSTRUCTIONS

When using electrical appliances basic safety precautions should be followed, including the following:

1. Read all instructions before using the appliance.
2. Read and follow the specific: "PRECAUTIONS TO AVOID POSSIBLE EXPOSURE TO EXCESSIVE MICROWAVE ENERGY" found on page 4.
3. This appliance must be grounded. Connect only to properly grounded outlet. See "GROUNDING INSTRUCTIONS" found on page 6.
4. Install or locate this appliance only in accordance with the provided installation instructions.
5. Some products such as whole eggs and sealed containers - for example, closed glass jars - are able to explode and should not be heated in this oven.
6. Use this appliance only for its intended use as described in the manual. Do not use corrosive chemicals or vapors in this appliance. This type of oven is specifically designed to heat, cook or dry food. It is not designed for industrial or laboratory use.
7. As with any appliance, close supervision is necessary when used by children.
8. Do not operate this appliance if it has a damaged cord or plug, if it is not working properly, or if it has been damaged or dropped.
9. This appliance should be serviced only by qualified service personnel. Contact nearest authorized service facility for examination, repair, or adjustment.
10. Do not cover or block any openings on the appliance.
11. Do not store this appliance outdoors. Do not use this product near water - for example, near a kitchen sink, in a wet basement, near a swimming pool, or similar location.
12. Do not immerse cord or plug in water.
13. Keep cord away from heated surface.
14. Do not let cord hang over edge of table or counter.

15. When cleaning surfaces of door and oven that comes together on closing the door, use only mild, nonabrasive soaps, or detergent applied with a sponge or soft cloth.

16. To reduce the risk of fire in the oven cavity:

- 1). Do not overcook food. Carefully attend appliance when paper, plastic, or other combustible materials are placed inside the oven to facilitate cooking.
- 2). Remove wire twist-ties from paper or plastic bag before placing bag in oven.
- 3). If material inside of the oven ignite, keep oven door closed, turn oven off, and disconnect the power cord, or shut off power at the fuse or circuit breaker panel.
- 4). Do not use the cavity for storage purposes. Do not leave paper products, cooking utensils, or food in the cavity when not in use.

17. Liquids, such as water, coffee, or tea are able to be overheated beyond the boiling point without appearing to be boiling. Visible bubbling or boiling when the container is removed from the microwave oven is not always present.

THIS COULD RESULT IN VERY HOT LIQUID SUDDENLY BOILING OVER WHEN THE CONTAINER IS DISTURBED OR A UTENSIL IS INSERTED INTO THE LIQUID.

To reduce the risk of injury to persons:

- 1) Do not overheat the liquid.
- 2) Stir the liquid both before and halfway through heating it.
- 3) Do not use straight-sided containers with narrow necks.
- 4) After heating, allow the container to stand in the microwave oven for a short time before removing the container.
- 5) Use extreme care when inserting a spoon or other utensil into the container.

### **Warning**

This content is compiled from multiple sources and is provided for reference purposes only. It may not be complete or fully applicable to all situations. If you are unable to resolve your issue, please contact the product manufacturer or an authorized service provider for official support.