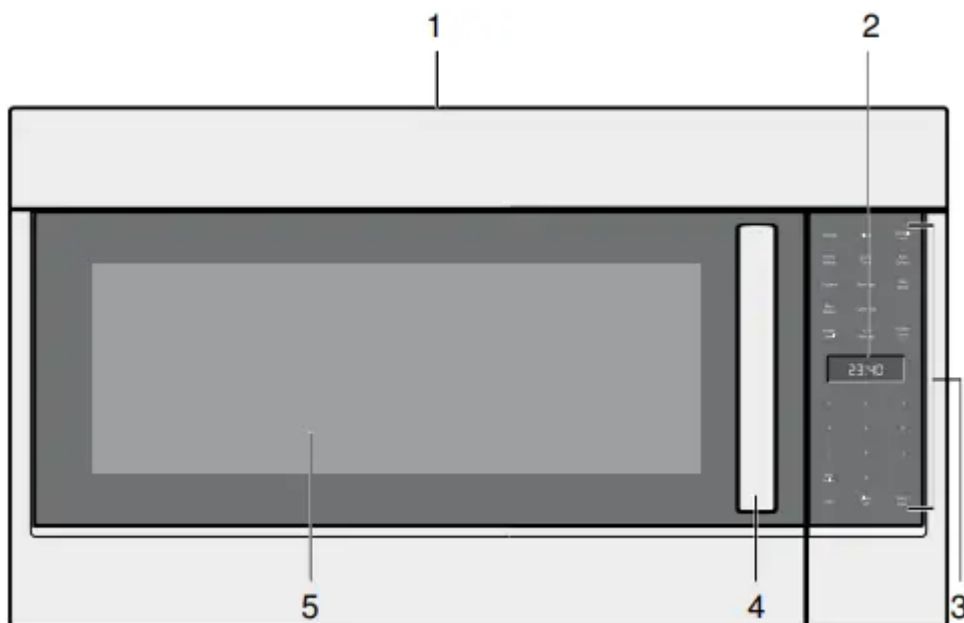


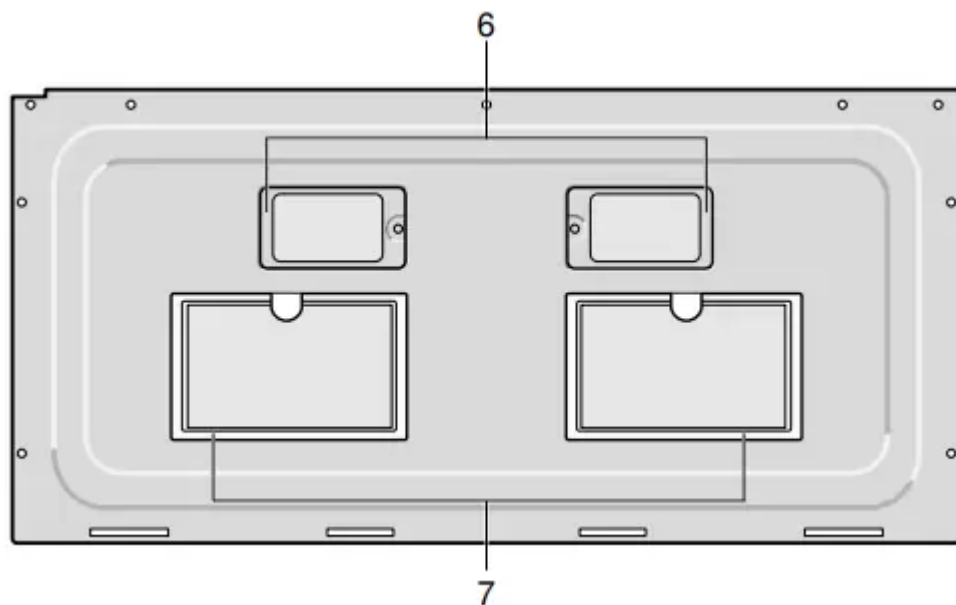
## Getting Started

### Parts

#### Front view



#### Bottom view



1. Top vent grill
2. Display
3. Control panel

4. Door handle
5. Window
6. Surface lights (LED)
7. Ventilation filters

### **Cooling Fan**

The cooling fan runs during all cooking modes. The fan can be heard when it is running, and warm air may be felt as it is released from the oven vent. The fan may also run after the oven is off.

### **Oven Vent**

The oven vent is located at the top of the unit. Warm air may be released from the vent before, during and after cooking. It is normal to see steam escaping from the vent, and condensation may collect in this area. This area may be warm when the oven is in use. Do not block the vent, since it is important for air circulation.

### **Convection Fan**

The convection fan operates during all convection modes. When the oven is operating in a convection mode, the fan turns off automatically when the door is opened.

### **Oven light (LED)**

The oven light turns off to save energy after two minutes with the door open. To turn the light back on close the door and open it again.

## Control Panel

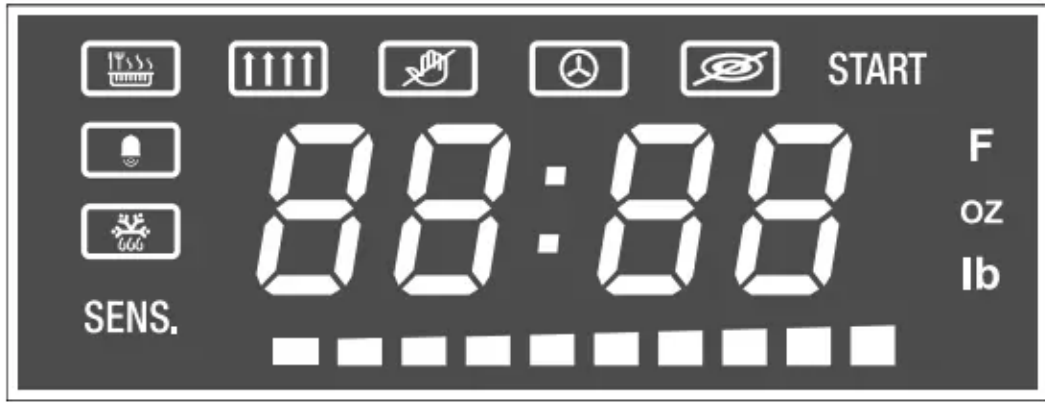


### Touch keys

You can activate a function by briefly touching the corresponding touch key. Each time you touch a key a short beep will sound. A long beep will tell you that you have made an invalid input.

<b>Touch key</b>	<b>Function</b>
<b>Settings</b>	Change basic settings
<b>Clock</b>	Set time of day
<b>Turntable (on/off)</b>	Switches turntable on or off
<b>Sensor Reheat</b>	Reheat food with automatic settings
<b>Sensor Cook</b>	Cook food with automatic settings
<b>Auto Defrost</b>	Defrost food with automatic settings
<b>Popcorn</b>	Select popcorn bag size
<b>Beverage</b>	Heat beverages, select beverage size
<b>Keep Warm</b>	Set Keep Warm feature
<b>More Modes</b>	Enter more modes for convenience cooking
<b>Convection</b>	Set Convection mode
<b>Power Level</b>	Set power level for microwave operation
<b>+30 Seconds</b>	Add 30 seconds to microwave timer
<b>Kitchen Timer</b>	Set kitchen timer
<b>0 - 9</b>	Use the number keys to enter customized values
<b>Vent (high/low)</b>	Turn kitchen ventilation feature on/off
<b>Light</b>	Turn surface light on/off
<b>Clear/Off</b>	Clear entered value/turn appliance off
<b>Start/Enter</b>	Confirm input, start operation

## Display elements



	Keep Warm mode
	Vent
	Panel lock on
	Convection
	Turntable off
	Kitchen timer
	Defrost
<b>START</b>	Confirmation with Start/Enter key required when blinking
<b>SENS.</b>	Sensing in progress
<b>F</b>	Temperature in °F
<b>oz lb</b>	Numeric display shows weight in Ounces/Pounds
	Status bar for preheating/microwave power level
	Numeric display for time, temperature or weight, depending on the unit displayed next to it

## Operation

### Setting the clock

The clock can be set in 12-hour mode.

1. Touch **Clock** once.
2. Enter the time using the number keys. Example: To set the clock to 12:41 type in 1 2 4 1.

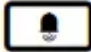
3. Touch **Clock** to confirm.

The time of day is displayed.

## Setting the Kitchen Timer

You can set a timer value of up to 99 minutes and 99 seconds.

1. Touch **Kitchen Timer**.

The  symbol lights up and **00:00** is blinking.

2. Enter the desired time using the number keys.

3. Touch **Kitchen Timer** to confirm.

The Kitchen Timer starts counting down.


Once the set time has elapsed 4 beeps will sound. To stop the beep, touch **Kitchen Timer**.

To cancel the kitchen timer, touch **Kitchen Timer** again or open the appliance door.

## Operating the Ventilation Fan

The Vent feature moves steam and other cooking vapors from the cooking surface of the range below the microwave oven.

You can set four different vent speeds.

Set the vent feature by touching Vent (high/low). The ventilation symbol  will light up on the display.

Vent level	Touch Vent (high/low) key	Display
<b>4 (high)</b>	once	<b>H I</b>
<b>3</b>	twice	
<b>2</b>	3 times	
<b>1 (low)</b>	4 times	<b>L O</b>
<b>OFF</b>	5 times	OFF

**Note:** If the temperature gets too hot around the microwave oven, the fan of the vent feature will automatically turn on at the lowest setting to cool the oven. The fan will automatically turn off when the internal parts are cool. When this occurs, the vent cannot be manually turned off.

## Turning the Surface Light on/off



The appliance is equipped with a cooking surface light, to light the surface underneath the appliance.

With the **Light** key you can set two brightness levels.

Brightness	Touch Light key
High	once
Low	twice
Off	three times

## Turning the turntable on / off

For best cooking results, leave the turntable on. It can be turned off for large dishes.

To turn the turntable off, touch **Turntable (on/off)** once. The  symbol and **OFF** lights up briefly. Touch the key again to turn the turntable on. The  symbol and **On** lights up briefly.

## Convection

Convection cooking circulates hot air through the oven cavity with a fan. The constantly moving air surrounds the food to heat the outer portion quickly, creating even browning and sealed-in flavor by the constant motion of hot air over the food surfaces.

### Cookware tips for Convection

#### ***Metal Pans:***

Recommended for all types of baked products, especially where browning is important.

Dark or dull finish metal pans are best for breads and pies because they absorb heat and produce crisper crust.


Shiny aluminum pans are better for cakes, cookies or muffins because they reflect heat and help produce a light tender crust.

#### ***Glass or glass-ceramic casseroles or baking dishes:***

Best suited for egg and cheese recipes due to the cleanability of glass.

### Setting Convection mode

Convection cooking temperature ranges from 200° F (93°C) to 450° F (232°C).

1. Touch Convection. 350° F and START are blinking, the  symbol lights up in the display.
2. Enter the desired temperature using the number keys.

## Operating the microwave

The appliance must be turned off.

1. Enter the desired cooking duration with the number keys. The timer display will fill in from right to left. Example: To set a microwave cooking time of 20 minutes and 30 seconds, enter the numbers 2 0 3 0. START is blinking.

2. You can start microwave operation with the default power level 10 by touching **Start/Enter**,

or -

you can adjust the power level. Touch **Power Level**. The default power level

*PL 10* is blinking. The segments in the bar underneath the number display also indicate the power level.

3. Enter the desired power level using the number keys. *PL* and the selected power level and START are blinking in the display



4. Touch **Start/Enter** to start microwave operation. The microwave timer will start to count down.

The microwave timer can be changed during operation by touching **+30 Seconds**.

The power level can be changed during operation. To display the set power level, touch **Power Level**.

Once the microwave time has run out, four beeps will sound. The appliance turns off and the clock is displayed.

# Cleaning and Maintenance

## Cleaning

### Cleaning Guide

- For best performance and for safety reasons, keep the oven clean inside and outside. Take special care to keep the inner door panel and oven front frame free of food and grease build-up.
- Never use abrasive scouring powder or pads on the microwave. Wipe the microwave oven inside and out with a soft cloth and warm (not hot) mild detergent solution. Rinse and wipe completely dry.
- Wipe spatters immediately with a wet paper towel, especially after cooking greasy foods like chicken or bacon.
- Clean your microwave oven weekly or more often, if needed.
- Never operate the oven without food in the oven cavity; this can damage the magnetron tube or glass tray. You may wish to leave a cup of water standing inside the oven when it is not in use to prevent damage if the oven is accidentally turned on.

Part	Recommendations
Oven cavity	<p>Keep inside (cavity) of the oven clean. Food particles and spilled liquids can stick to the oven walls, causing the oven to work less efficiently.</p> <p>Wipe up spills immediately. Use a damp, clean cloth and mild soap. <b>DO NOT</b> use harsh detergents or abrasive cleaners.</p> <p>To help loosen baked-on food particles or liquids, heat 2 cups of water (add the juice of 1 lemon if you desire to keep the oven fresh smelling) in a 4 cup microwave-safe dish at High power for 5 minutes or until boiling. Let stand in oven cavity for 1 or 2 minutes.</p>
Wire rack	<p>Wash with soapy water. Rinse thoroughly and dry, or gently rub with cleansing powder or soap-filled pads as directed.</p>
Glass turntable tray	<p>Remove glass turntable tray from the oven when cleaning the oven cavity and tray.</p> <p><b>NOTICE:</b> : To prevent the glass turntable from breaking, handle with care and do not put it in water immediately after cooking.</p> <p>Wash the glass turntable tray in warm soapy water or in the dishwasher.</p>
Turntable roller rest	<p>Clean with warm, soapy water. Rinse thoroughly and dry.</p>
Door glass	<p>Wash with soap and water or glass cleaner. Use Fantastik® or Formula 409® on a clean sponge or paper towel and wipe clean. Avoid using abrasive cleaners, like powder cleaning agents, steel wool pads and oven cleaners.</p> <p>If steam accumulates inside or outside the oven door, wipe with a soft cloth. Steam can accumulate when operating the oven in high humidity and in no way indicates microwave leakage.</p>
Painted surfaces	<p>Clean with hot soapy water or apply Fantastik® or Formula 409® to a clean sponge or paper towel and wipe clean. Avoid using abrasive cleaners, like powder cleaning agents, steel wool pads and oven cleaners.</p>
	<p>Always wipe or rub in the direction of the grain. Clean with a soapy sponge, then rinse and dry, or wipe with Fantastik® sprayed on a</p>

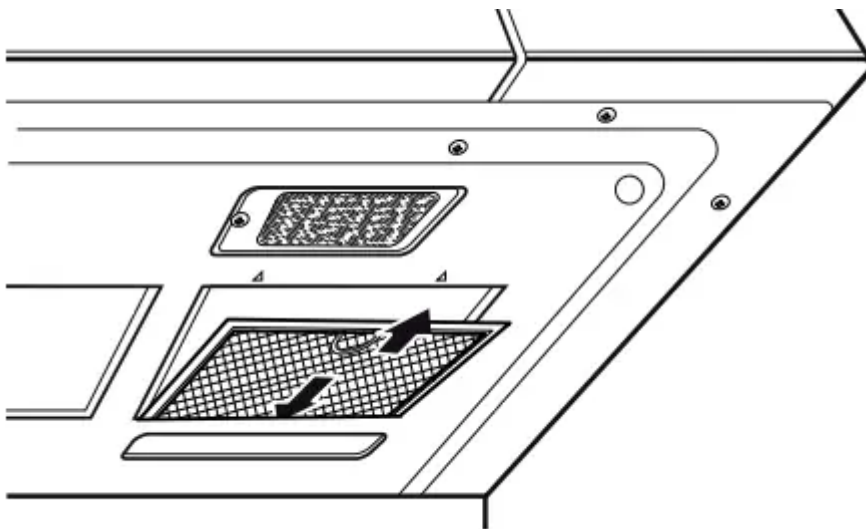


Stainless steel surfaces	paper towel. Protect and polish with Stainless Steel Magic® and a soft cloth. Remove water spots with a cloth dampened with white vinegar. <b>Do not use any cleanser that contains chlorine</b> as these may rust the stainless steel
Plastic & Controls	When cool, clean with soapy water, rinse and dry.
Printed areas (words & numbers)	Do not use abrasive cleaners or petroleum based solvents

### Cleaning the oven vent filters

The oven ventilation filters should be removed and cleaned often; generally at least once every month.

1. To remove the ventilation filters, slide the filter to the rear. Then pull filter downward and push to the other side. The filter will drop out. Repeat for the 2nd filter.



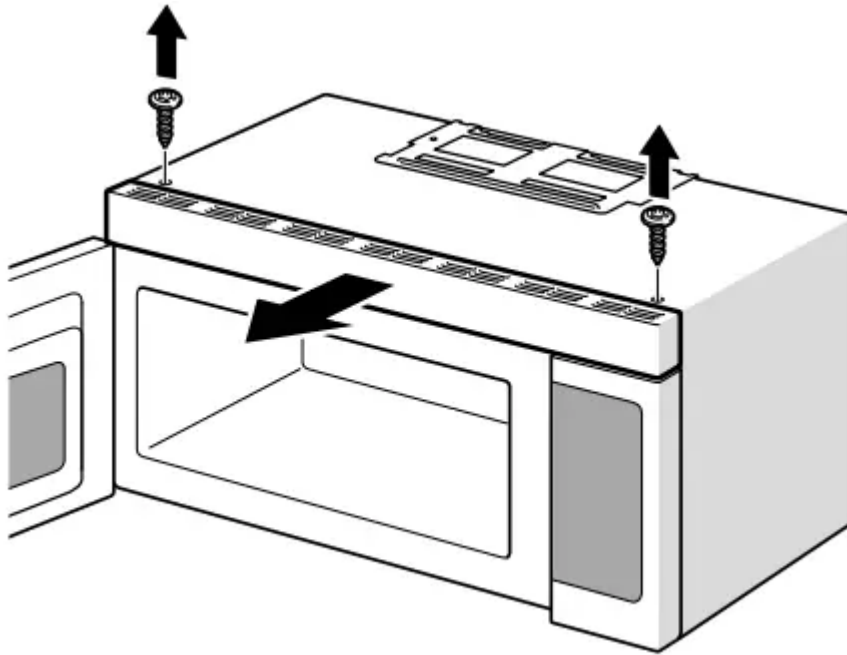
2. Soak the ventilation filters in hot water using a mild detergent. Rinse well and shake to dry. Do not use ammonia or wash in a dishwasher. The aluminum on the filter will corrode and darken.
3. To reinstall an oven ventilation filter, slide it into the side slot, then push up and toward oven to lock. Reinstall the 2nd filter using the same procedure.

## Maintenance

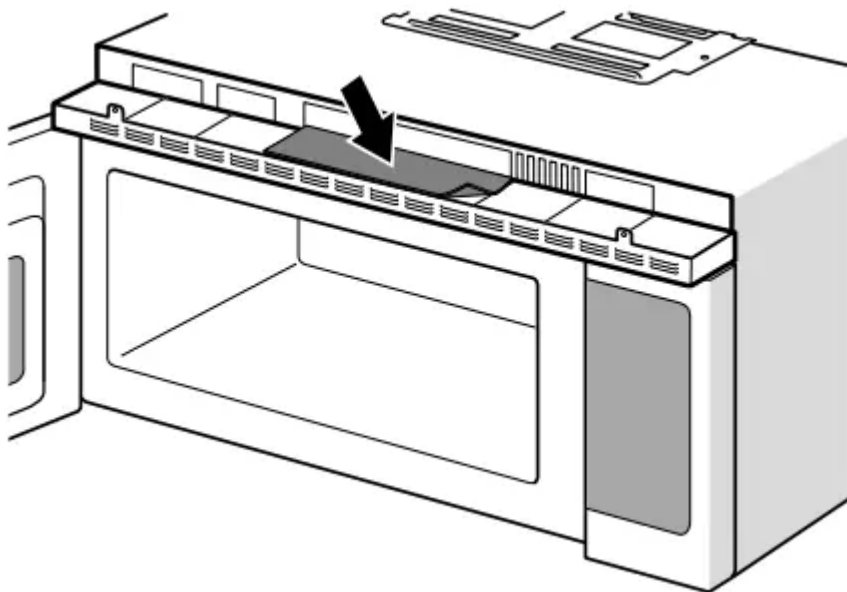
### Charcoal filter replacement

The charcoal filter, which was included with your microwave oven, is used for nonvented, recirculated installation (Room Venting). The filter should be replaced every 6 to 12 months depending on use.

1. Disconnect power to the microwave oven at the circuit breaker panel or by unplugging.
2. Remove the vent grill mounting screws.
3. Pull the vent grill away from the unit.



4. Change the charcoal filter.



5. Carefully push the vent grill back into place and replace the screws removed in Step 2.

**Note:** If no charcoal filter is installed, it is not possible to bind the odorous substances in the cooking vapors.

## **Before Calling for Service**

Before calling customer service, consider the suggestions and instructions below:

Problem	Suggestion
Neither the microwave's display nor oven operates.	<ul style="list-style-type: none"> <li>• Properly insert the plug into a grounded power outlet.</li> <li>• Remove the plug from the outlet, wait 10 seconds, then plug the microwave in again.</li> <li>• Reset the household circuit breaker or replace any blown fuses.</li> <li>• Plug a different appliance into the power outlet. If the other appliance will not operate, have a qualified electrician repair the outlet.</li> <li>• Plug the microwave into a different power outlet.</li> </ul>
Oven display works, but the oven will not operate.	<ul style="list-style-type: none"> <li>• Make sure the oven door is closed securely and completely.</li> <li>• Check to see if packing material or other materials are stuck to the door seal.</li> <li>• Check for damage to the oven door.</li> <li>• Press the <b>Clear/Off</b> key twice and attempt to re-enter cooking instructions.</li> </ul>
<p><b>Note:</b> : If the oven is set to cook for more than 30 minutes at 100% power level, it will automatically adjust itself to a 80% power level after 30 minutes to avoid overcooking.</p>	
Power goes off before the cook time has elapsed.	<ul style="list-style-type: none"> <li>• If there has been a power interruption, remove the plug from the outlet; wait 10 seconds, then plug the microwave in again. If there was a power outage, the time indicator in the display will show <b>00:00</b>.</li> <li>• Reset the clock and any cooking instructions.</li> <li>• Reset the household circuit breaker or replace any blown fuses.</li> <li>• Press the <b>Clear/Off</b> key twice and attempt to re-enter cooking instructions.</li> <li>• Plug a different appliance into the power outlet. If the other appliance will not operate, have a qualified electrician repair the outlet.</li> <li>• Plug the microwave into a different power outlet.</li> </ul>



Food is cooking too slowly.	Make sure the oven is on a separate 20 amp circuit line. Operating another appliance on the same circuit can cause a voltage drop. If necessary, move the microwave to its own circuit.
Microwave is sparking, arcing occurs.	Remove any metallic utensils, cookware or metal ties from the oven cavity. If using aluminum foil, use only narrow strips and allow at least one inch between the foil and the interior oven walls.
Turntable makes noises or sticks.	<ul style="list-style-type: none"> <li>• Clean the turntable, roller ring and oven cavity bottom.</li> <li>• Make sure the turntable and roller ring are positioned correctly.</li> </ul>
Using the microwave causes TV or radio interference.	This is similar to the interference caused by other small appliances, such as hair dryers. Move your microwave further away from other appliances, like your TV or radio
LED lights are not working.	Please contact Customer Service.

**Note:** : If the oven is set to cook for more than 30 minutes at 100% power level, it will automatically adjust itself to a 80% power level after 30 minutes to avoid overcooking

### Warning

This content is compiled from multiple sources and is provided for reference purposes only. It may not be complete or fully applicable to all situations. If you are unable to resolve your issue, please contact the product manufacturer or an authorized service provider for official support.

