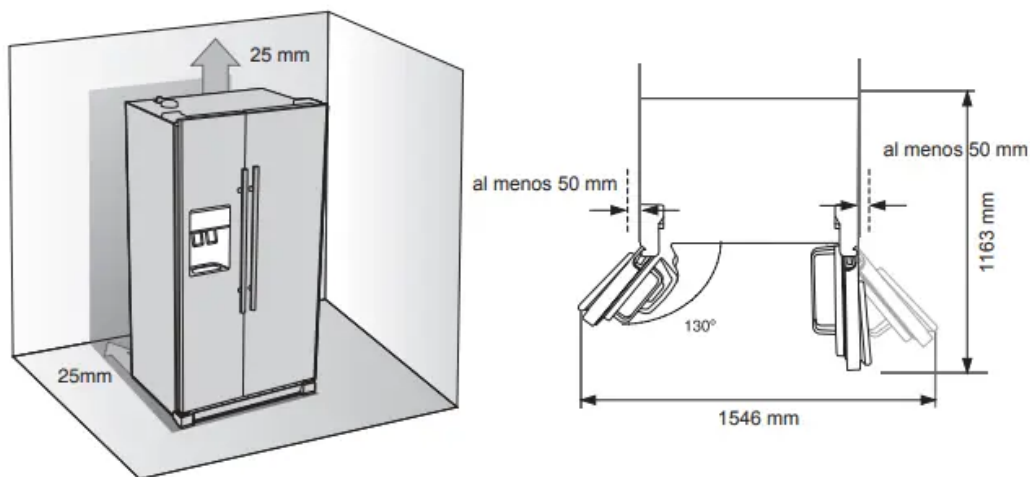


## Installation

### Clearance

Allow sufficient space to install the refrigerator on a flat surface. Overall space required in use. Refer to drawing and dimension as below.



### NOTE

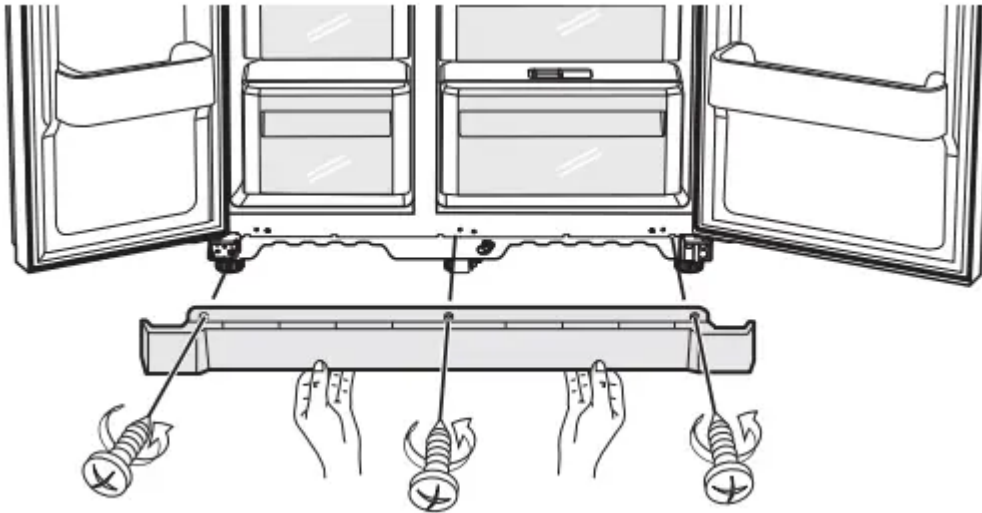
- Allow clearance to the right, left, back and top when installing. This will help reduce power consumption and keep your energy bills lower.
- Do not install the refrigerator where the temperature will go below 50°F (10°C).
- Make sure you disconnect the water supply line BEFORE removing the freezer door.

### Removing the refrigerator doors

If your entrance won't allow the refrigerator to pass easily through it, you can remove the doors. The actual image of your refrigerator may differ, depending on the model and the country.

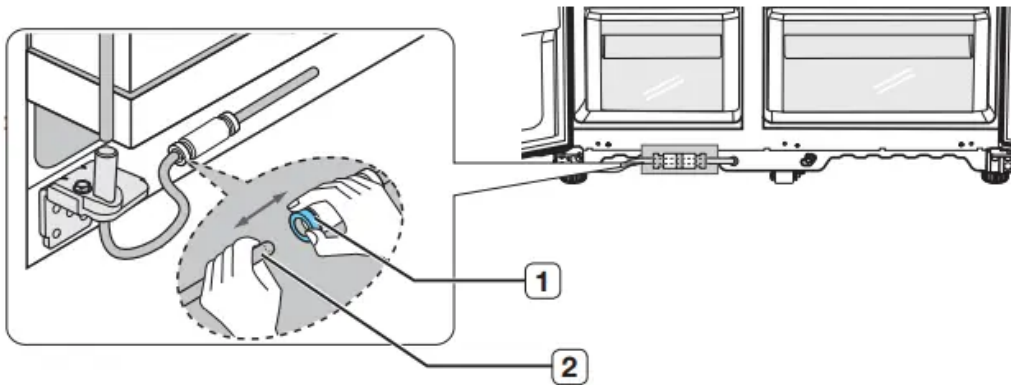
#### 1. Removing the Front Leg Cover

First, open both the freezer and refrigerator doors, and then take off the front leg cover by turning the three screws counter-clockwise.



### Separating the Water Supply Line from the Refrigerator

1. Remove the water line by pressing the coupler 1 and pulling the water line 2 away

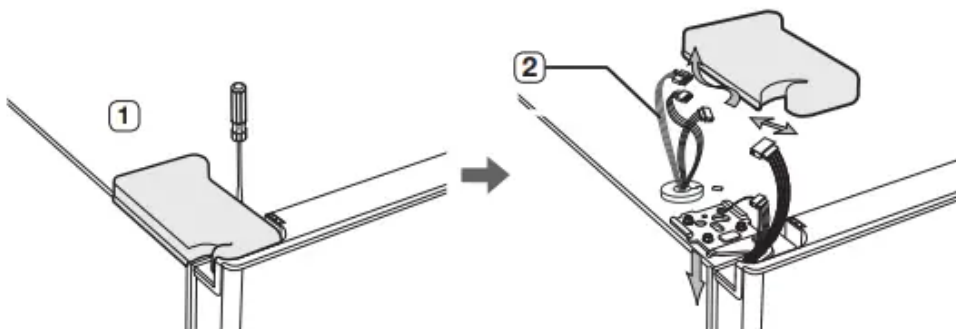


2. Removing the freezer door

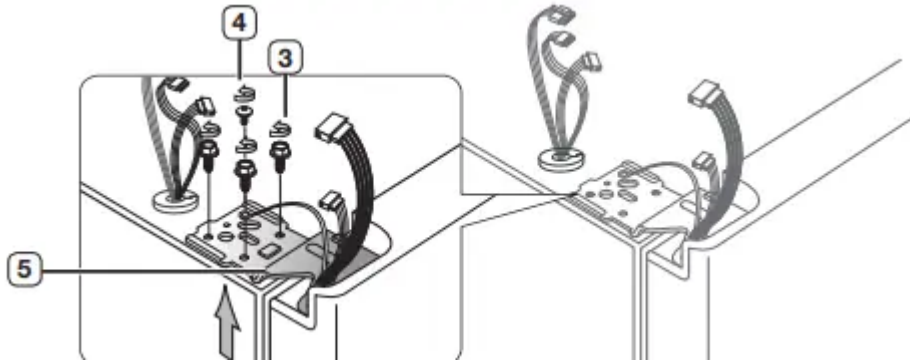
#### A few things to mention first.

- Make sure that you lift the door straight up so the hinges are not bent or broken.
- Be careful not to pinch the water tubing and wire harness on the door.
- Place doors on a protected surface to prevent scratching or damage.

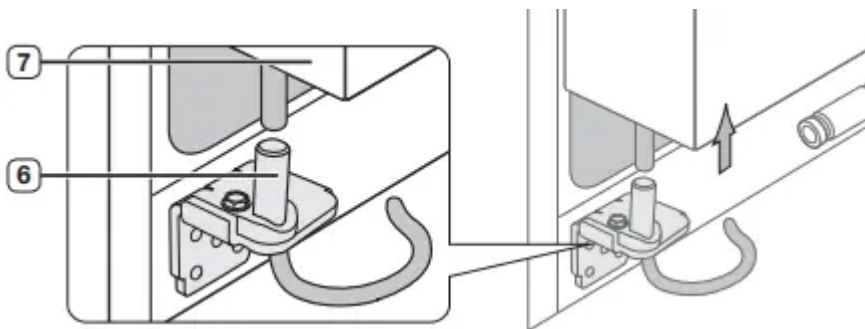
1. With the Freezer door closed, remove the upper hinge cover 1 using a screwdriver, and then disconnect the wires by gently pulling them apart 2 .



2.Remove hinge screws 3 and the ground screw 4 by turning counter clockwise, and take off the upper hinge 5 . Be careful that the door may fall on you as you are removing it

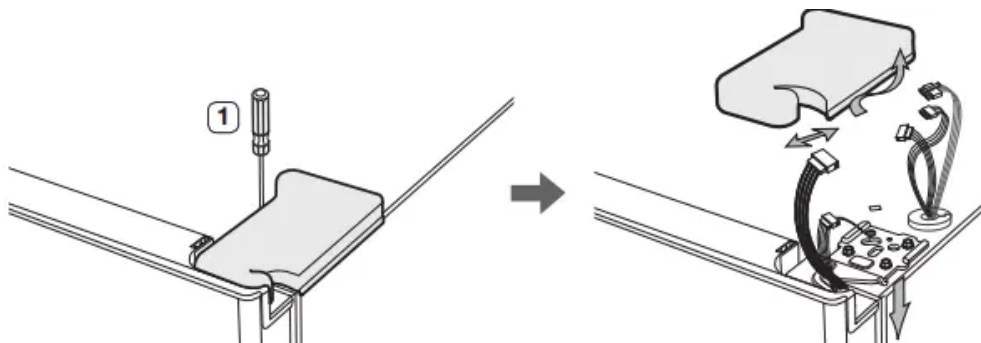


3.Next, remove the door from the lower hinge 6 by carefully lifting the door straight up 7 .

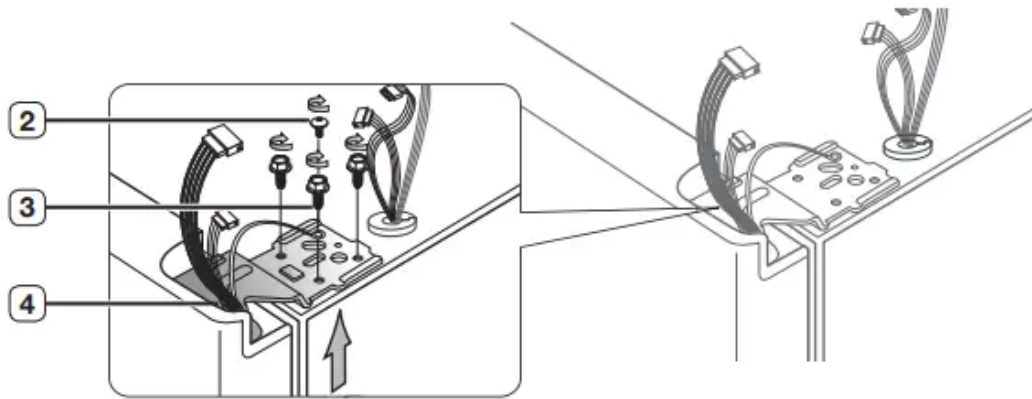


### Removing the Fridge Door

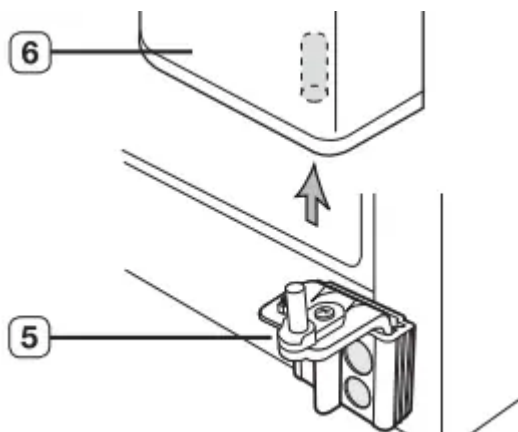
1. With the door closed, remove the upper hinge cover 1 using a screwdriver.



2.Remove hinge screws 2 and the ground screw 3 by turning counter clockwise, and take off the upper hinge 4 . Be careful that the door may fall on you as you are removing it.



3.Remove the door from the lower hinge 5 by lifting the door straight up 6 .

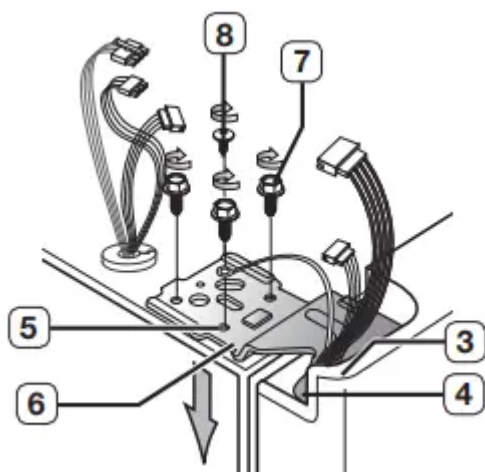


## Reattaching the refrigerator doors

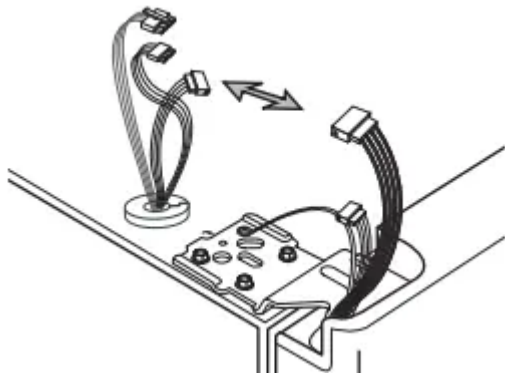
Once you have safely placed your refrigerator where you plan for it to stay, it is time to put the doors back on.

### Reattaching the Freezer Door

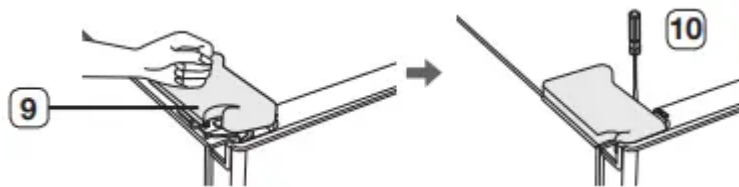
1.Insert the upper hinge shaft 3 into the hole on the corner of the freezer door 4 . Make sure the hinge is level between the upper hinge hole 5 and the hole of the cabinet 6 and reattach the hinge screws 7 and ground screw 8 by turning in a clockwise direction.



2.Reconnect the wires.

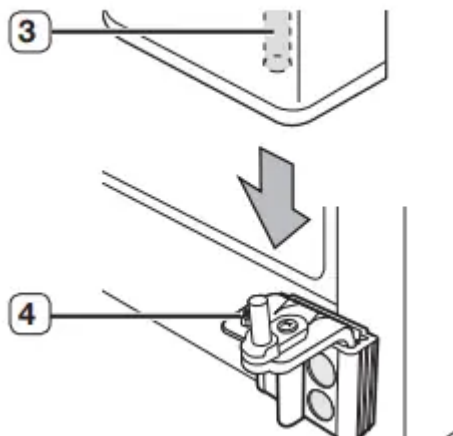


3 Place the front part of the upper hinge cover 9 on the front of the upper hinge 10 and reattach with the screw.

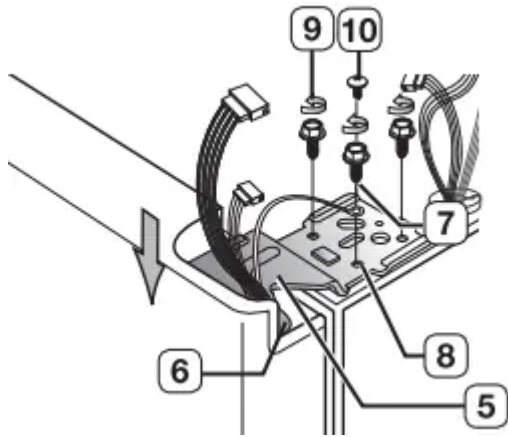


### Reattaching the Fridge Door

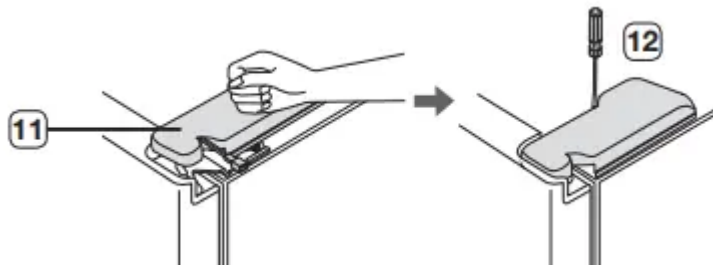
1.Fit the hole in the corner of the fridge door 3 over the lower 4 hinge .



2.Insert the upper hinge shaft 5 into the hole on the hinge 6 Make sure the hinge is level between the upper hinge hole 7 and the hole on the top of the cabinet 9 . Then,reattach hinge screws 9 and the ground screw 10 by turning it in a clock wise direction.

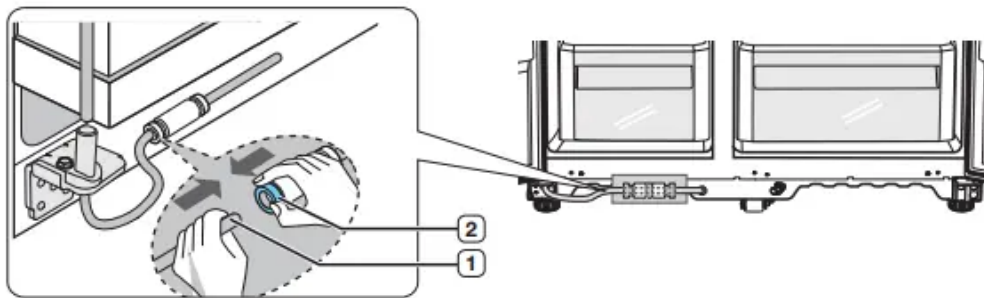


3. Place the front part of the upper hinge cover 11 on the front of the upper hinge 12 and reattach it with the screw



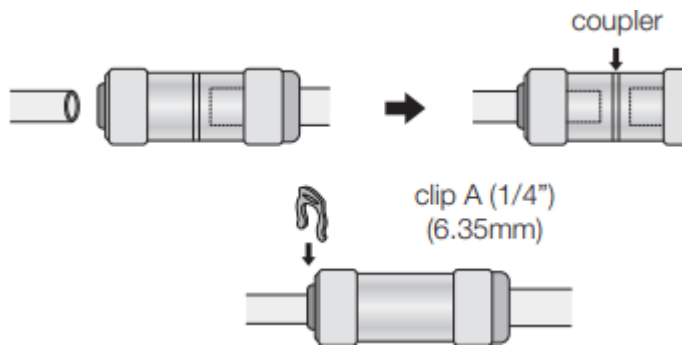
### Reattaching the Water Supply Line

1. Insert the water line 1 into the coupler 2



2. The Water Line must be fully inserted to the center of transparent coupler to prevent water leakage from the dispenser.

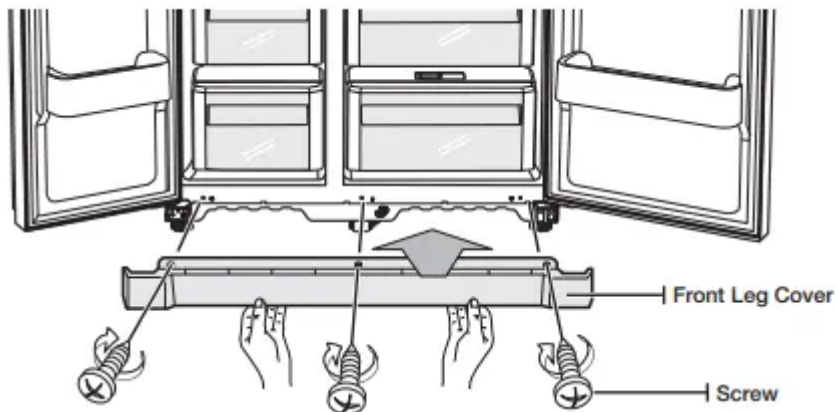
3. Insert the clip in the install pack and check that it holds the line firmly.



## Reattaching the Front Leg Cover

### NOTE

- Before attaching the cover, check water connector for leakage.
- Replace the front leg cover by turning the three screws clockwise, as shown in the figure.

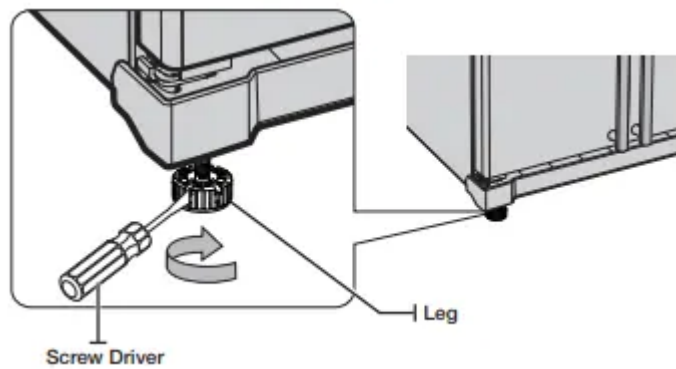


## Leveling the refrigerator

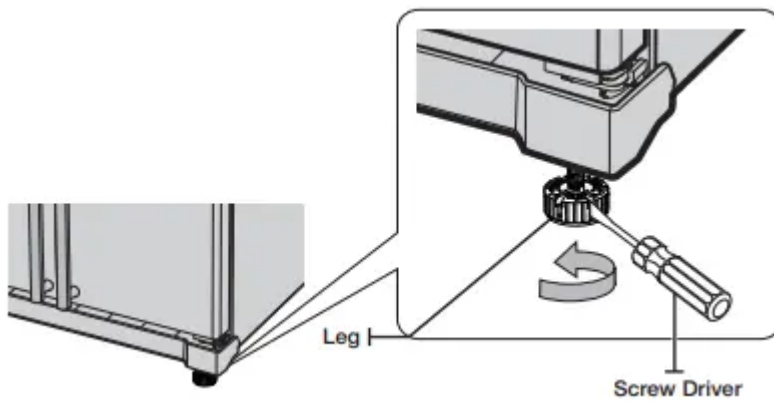
Now that the doors are back on the refrigerator, you will want to make sure the refrigerator is level so you can then make final adjustments. If the refrigerator is not level, it will not be possible to get the doors perfectly even.

### When the Freezer door is lower than the fridge

Insert a flat-blade screwdriver into a notch on the Leg, turn it clockwise or counter clockwise to level the freezer



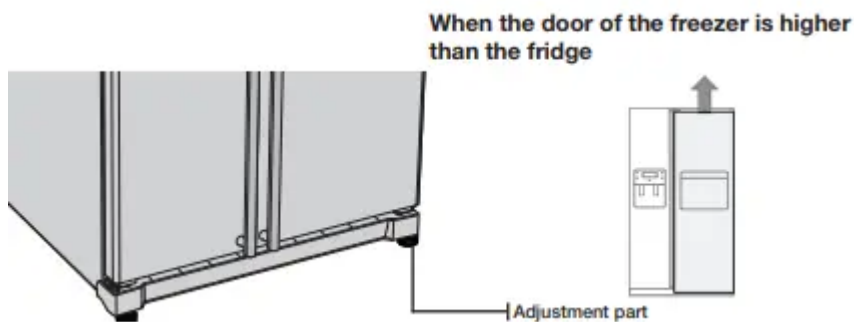
## When the Freezer door is higher than the fridge



Insert a flat-blade screwdriver into a notch on the Leg, turn it clockwise or counter clockwise to level the fridge.

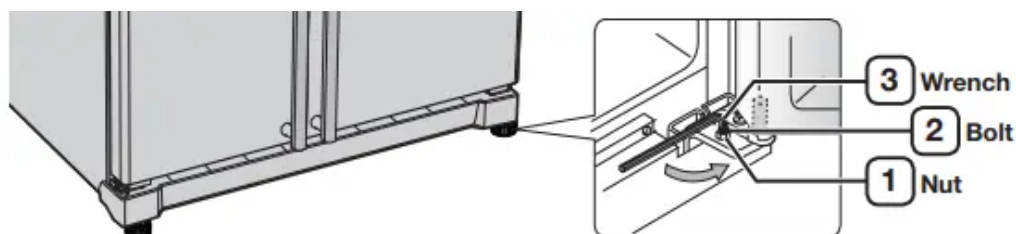
## Making minor adjustments to the doors

Remember, a leveling refrigerator is necessary for getting the doors perfectly even. If you need help, review the previous section on leveling the refrigerator.

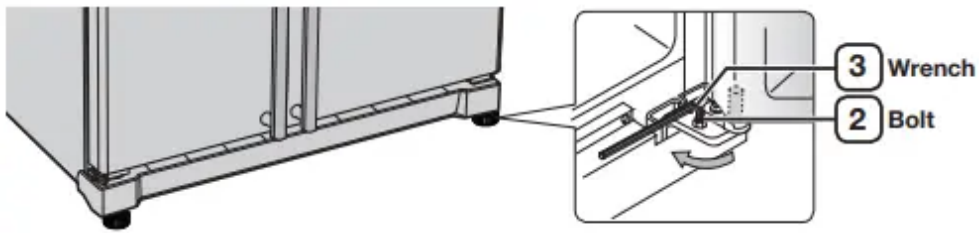


In the case of the process to correct the imbalance is the same. Open the doors and adjust them, one at a time, as follows:

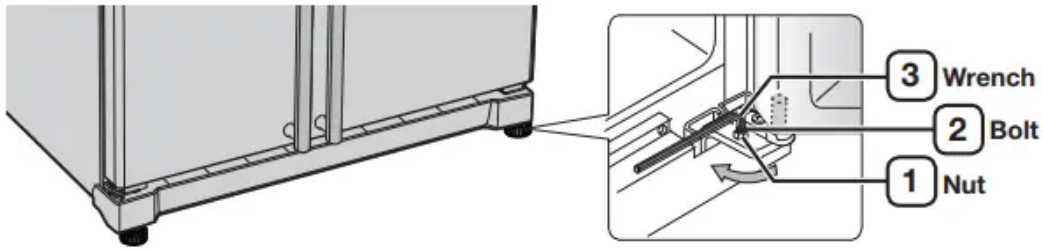
1. Unscrew the nut 1 from the lower hinge until it reaches the upper end of the bolt 2 .



2. Adjust the height difference between the doors by turning the bolt 2 clockwise or counter clockwise

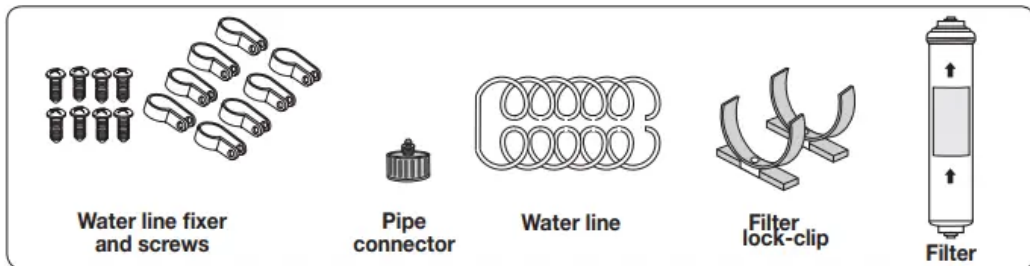


3. After adjusting the doors, turn the nut 1 clockwise until it reaches the lower end of the bolt, then tighten the bolt again with the wrench 3 to fix the nut in place 1 .



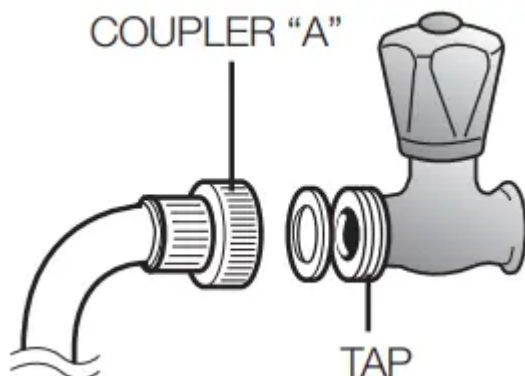
## Installing the water dispenser line (optional)

### Parts for water line Installation



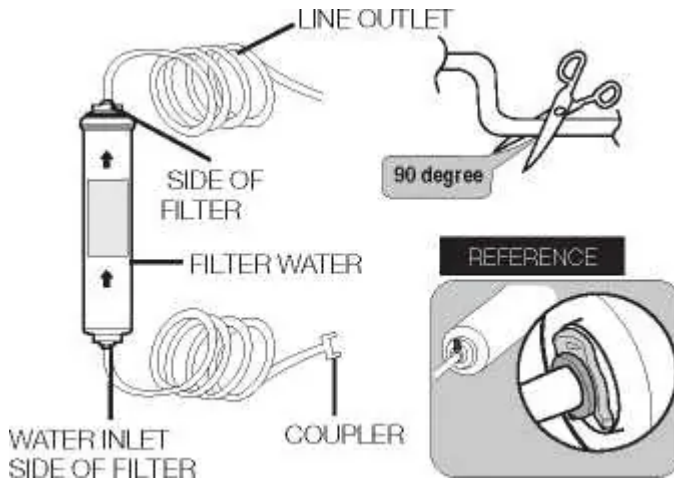
Connecting to the water supply line Connect the water pipe with coupler and tap.

1. Close the main water tap.
2. Connect coupler "A" to the tap.



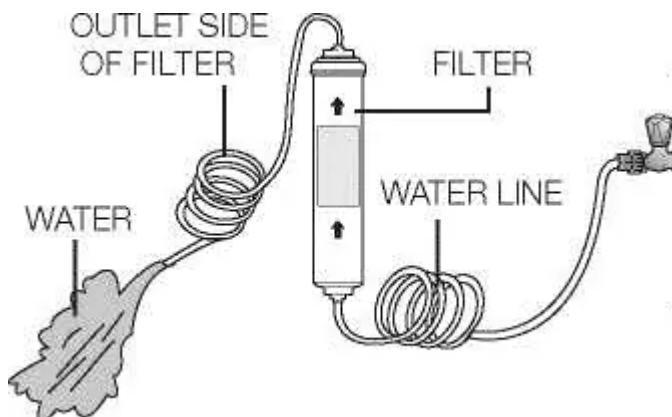
### Select the location where the filter is to install.

- If you wish to reassemble the water inlet and outlet sides of the filter during filter installation, see the reference illustration.
- Cut the water line attached to the filter to the appropriate place after measuring the distance between the filter and the cold water tap.



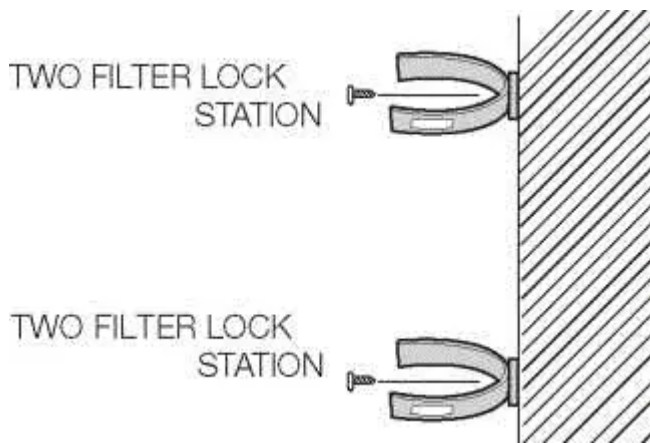
### Remove any residual matter inside the filter.

- Open the main water tap to check whether water is running through the water tube on the water inlet side of the filter.
- If water does not come out through the line, check whether the tap is open.
- Leave the tap open until clean water is running out and any residual matter that built up during manufacturing has been removed.



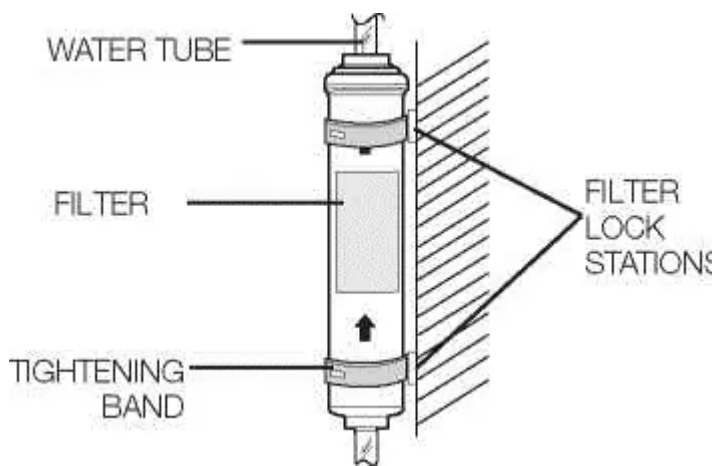
### Attach the filter lock stations.

- Hold the filter lock stations in the appropriate position (under the sink for example) and fix it tightly into place where to screw.



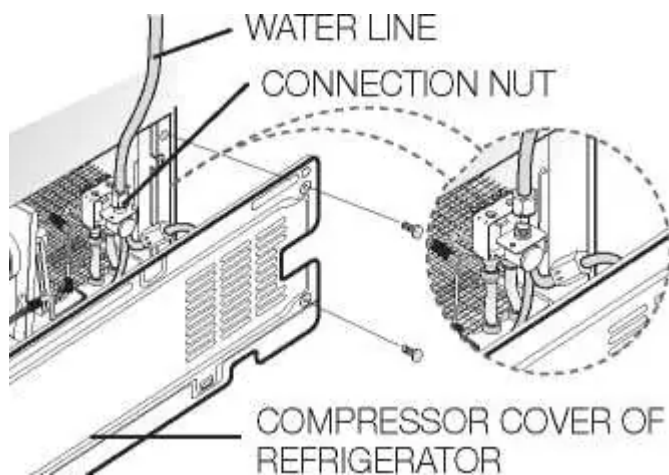
**Secure the filter in position.**

- Fix the filter in position, as shown in the figure on the right.



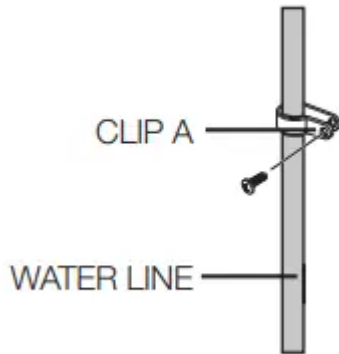
**Connect the water line to the refrigerator.**

- Remove the compressor cover of the refrigerator.
- Connect the water line to the valve, as shown in the figure.
- When connected, check if there is any leakage. If any, repeat the connection.
- Reattach the compressor cover of the refrigerator.



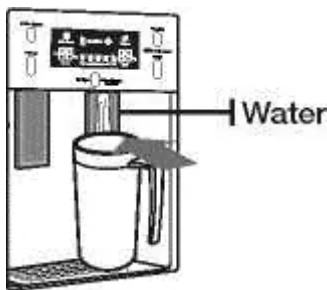
### Secure the water line.

- Using clip "A", fix the water line to the wall (the back of refrigerator).
- When the water line is secure, make sure whether the water line is not excessively bent, pinched or squashed.



### Removing any residual matter inside the water supply line after installing filter.(Optional)

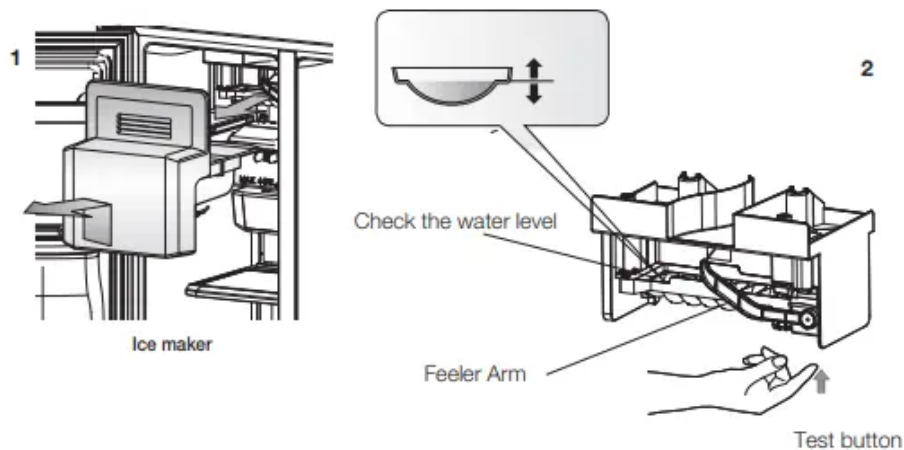
1. Turn ON the main water supply & turn OFF the valve to the water supply line.
2. Run water through the dispenser until the water runs clear (approx. 1L). This will clean the water supply system and remove air from the lines.
3. Additional flushing may be required in some households.
4. Open the refrigerator door and make sure there are no water leaks coming from the water filter.



### Check the amount of water supplied to the ice tray. (Optional)

1. Lift up the icemaker bucket and gently pull out of the freezer.
2. When you press the Test button for 1.5 seconds, the ice cube container is filled with water from the water supply tap after ice tray is twisted. Check to make sure the amount of water is correct(see the illustration below).

If the water level is too low, the ice cubes will be small. This is a water pressure problem from with in the main water pipes, not the refrigerator



## Operations

### Setting up the refrigerator

Now that you have your new refrigerator installed and in place, you are ready to set up and enjoy the full features and functions of the appliance.

By completing the following steps, your refrigerator should be fully operational. If not, first check the power supply and electricity source or try the troubleshooting section at the back of this user guide. If you have any further questions, contact your Samsung Electronics service center.

1. Place the refrigerator in an appropriate location with reasonable clearance between the wall and the refrigerator. Refer to installation instructions in this manual.
2. Once the refrigerator is plugged in, make sure the interior light comes on when you open the doors.
3. Set the temperature control to the coldest temperature and wait for an hour. The freezer should get slightly chilled and the motor should run smoothly.
4. After powering the refrigerator, it will take a few hours to reach the appropriate temperature. Once the refrigerator temperature is sufficiently cool, you can store food and drink in the refrigerator.

### USE ICE TRAY(OPTIONAL)

When the freeze temperature get zero degree below, you can use Ice Box to make ice.

1. Pull out the ice tray



2. Pour cool water into the tray until it reaches the water level indicator on the tray



3. Place it inside ice tray



4. Turn ice tray button and the ice automatically full into the below ice compartment after release. Pull out ice storage compartment for ice



1. Pull out the ice tray



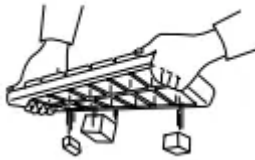
2. Pour water into the tray until it reaches the water level indicator on the tray



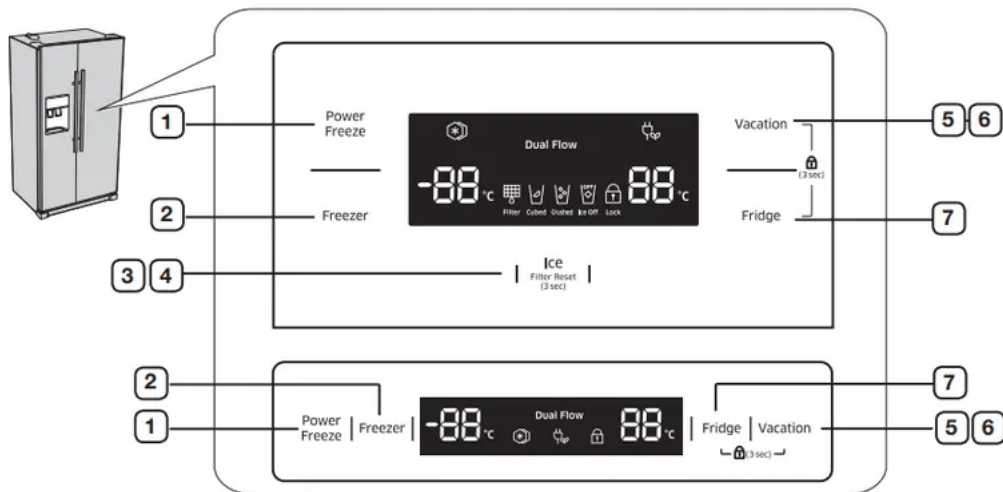
3. Place it under the freezer shelf or on the freezer shelf



4. To separate individual ice cubes, pull out the ice tray and hold the ice tray by its ends, then twist it gently

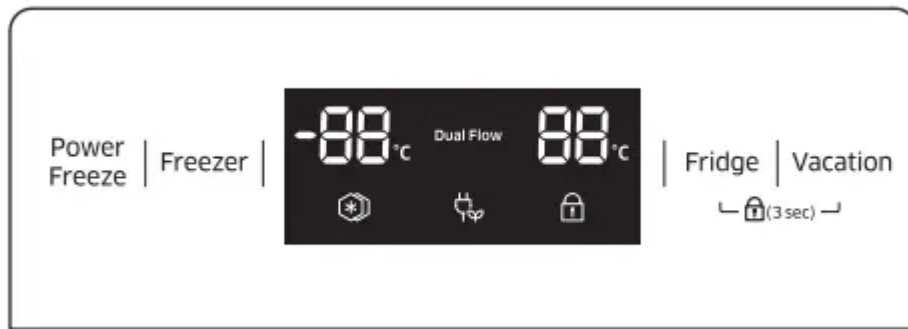


### Using the control panel (optional)



1.POWER FREEZE BUTTON	Speeds up the time needed to freeze products in the freezer. This can be helpful if you need to quickly freeze items that spoil easily or if the temperature in the freezer has warmed dramatically (For example, if the door was left open).
2.FREEZER BUTTON	Press the Freezer button to set the freezer to your desired temperature,You can set the temperature between -14°C (8°F) and -25°C (-14°F).
3.ICE TYPE BUTTON	Use this button to choose Cubed, Crushed or to turn the Ice feature off.
4.FILTER CHANGE BUTTON	When you change the filter, press this button for 3 seconds to reset the filter schedule.
5.VACATION BUTTON	If you are going on vacation or business trip or you do not need to use the refrigerator, press the Vacation button. When you select vacation button for fridge compartment off, display LED of Vacation will be on.
6.CHILD LOCK FUNCTION	By pressing the Vacation button and the Fridge button simultaneously for 3 seconds, all buttons will be locked. The Water dispenser lever and the Ice lever will not work either. To cancel this function, Press these two buttons for 3 seconds again.
7.FRIDGE BUTTON	Press the Fridge button to set the fridge to your desired temperature. You can set temperature between 1°C and 7°C (34°F and 45°F).

“88” segment on Freezer part indicates the current Freezer temperature. “88” segment on Fridge part indicates the current Fridge temperature.



## Power Freeze

This icon will light up when you activate the “Power Freeze” feature. When you don’t need requirement, just press the button again to cancel the “Power Freeze” mode.

## Child Lock

This icon will light up when you activate the Child Lock function by pressing the Vacation button or the Power Cool button and the Fridge button simultaneously for 3 seconds. Press these two buttons for 3 seconds again to reactivate.

## Filter Indicator (Optional)

When the filter indicator light is on, it is time to change the filter. Typically this happens about every 6 months. After removing the old water filter and installing a new one, reset the indicator status light by pressing the Ice Type button for about 3 seconds. The indicator will light again in about 6 months to let you know it is time to change your water filter. When you do not use the water filter, press the Ice Type button for more than 5 seconds, the Filter indicator lamp and the Filter Change letters will be off.

## Cubed Ice, Crushed Ice and turning the Ice maker off (Optional)

Enjoy cubed or crushed ice by selecting your preference from the digital control panel. If you don’t need ice, turn the feature off to save on water and energy consumption. The Ice type light indicates the type of ice (or no ice) that is currently chosen.

## Controlling the temperature

### Controlling the Freezer temperature

The freezer temperature can be set between  $-14^{\circ}\text{C}$  ( $8^{\circ}\text{F}$ ) and  $-25^{\circ}\text{C}$  ( $-14^{\circ}\text{F}$ ) to suit your particular needs. Press the Freezer button repeatedly until the desired temperature is shown in the temperature display. Keep in mind that foods like ice cream may melt at  $-16^{\circ}\text{C}$  ( $4^{\circ}\text{F}$ ).

The temperature display will move sequentially from  $-14^{\circ}\text{C}$  ( $8^{\circ}\text{F}$ ) and  $-25^{\circ}\text{C}$  ( $-14^{\circ}\text{F}$ ). When the display reaches  $-14^{\circ}\text{C}$  ( $8^{\circ}\text{F}$ ), it will begin again at  $-25^{\circ}\text{C}$  ( $-14^{\circ}\text{F}$ ).

Five seconds after the new temperature is set the display will again show the actual current freezer temperature. However, this number will change as the Freezer adjusts to the new temperature.

The temperature in two star sections are slightly higher than other freezer compartment.

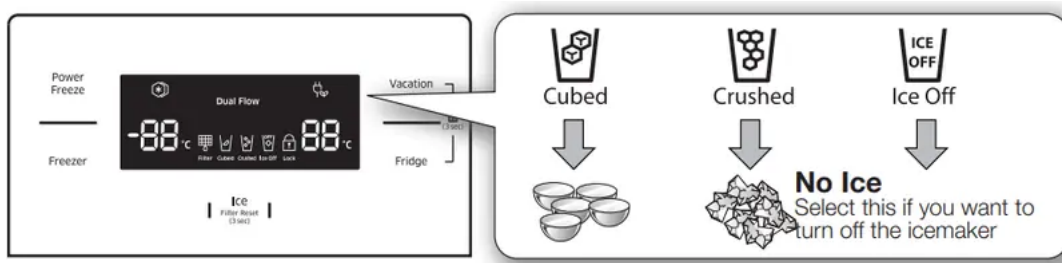
### Controlling the Fridge temperature

The refrigerator temperature can be set between 7°C (45°F) and 1°C (34°F) to suit your particular needs. Press the Fridge button repeatedly until the desired temperature is shown in the temperature display.

The temperature control process for the Fridge works just like the Freezer process. Press the Fridge button to set your desired temperature. After a few seconds, the Fridge will begin tracking towards the newly set temperature. This will be reflected in the digital display.

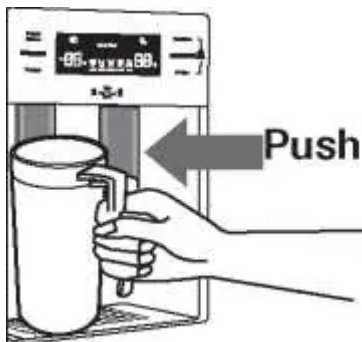
### Using the ice and cold water dispenser (freezer)

Press the Ice Type button to select the type of ice you want



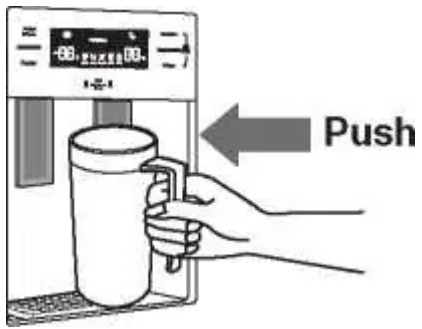
### Dispensing ice

Place your glass underneath the ice outlet and push gently against the ice dispenser lever with your glass. Make sure the glass is in line with the dispenser to prevent the ice from bouncing out.



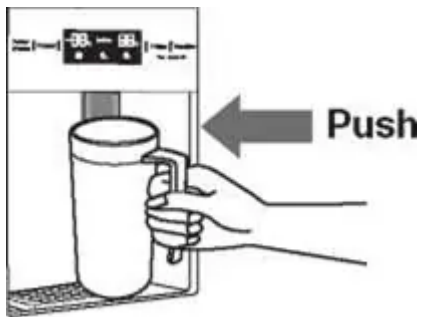
### Using the Water Dispenser

Place a glass underneath the water outlet and push gently against the water dispenser lever with your glass. Make sure the glass is in line with the dispenser to prevent the water from splashing out.

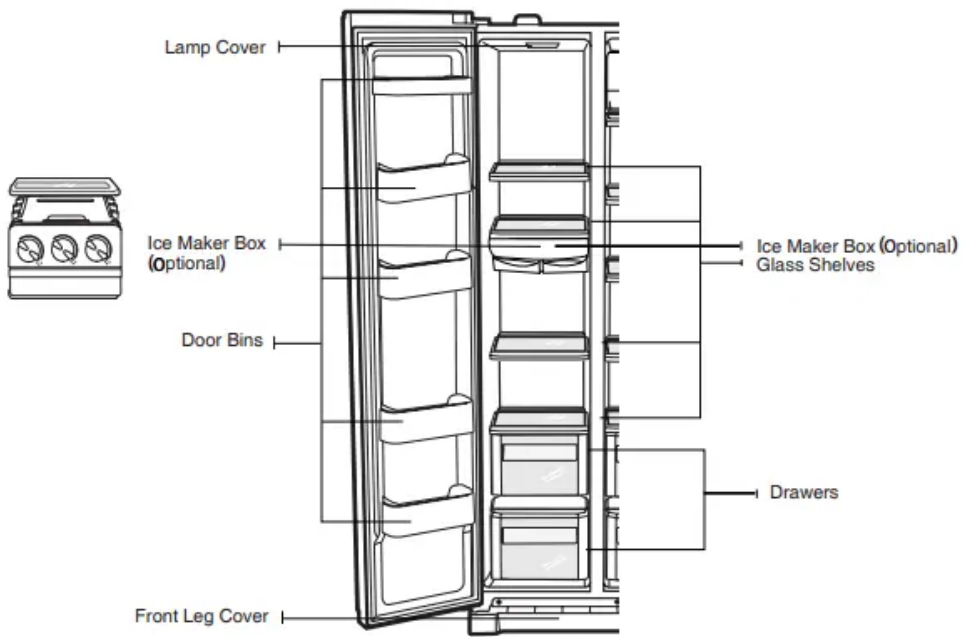
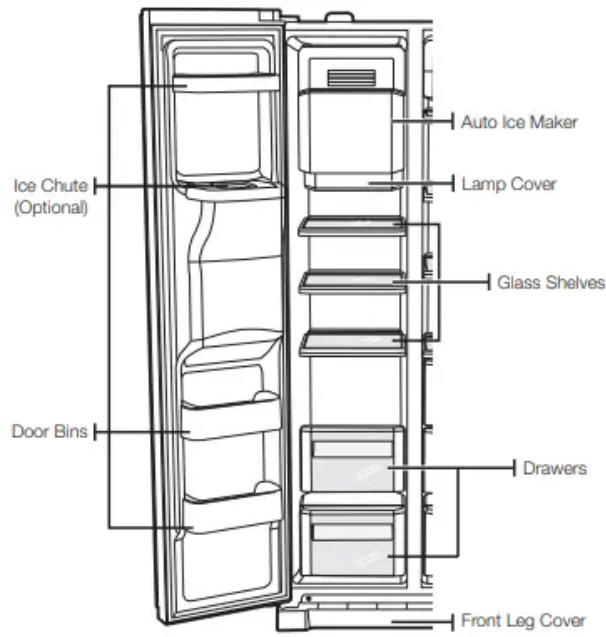


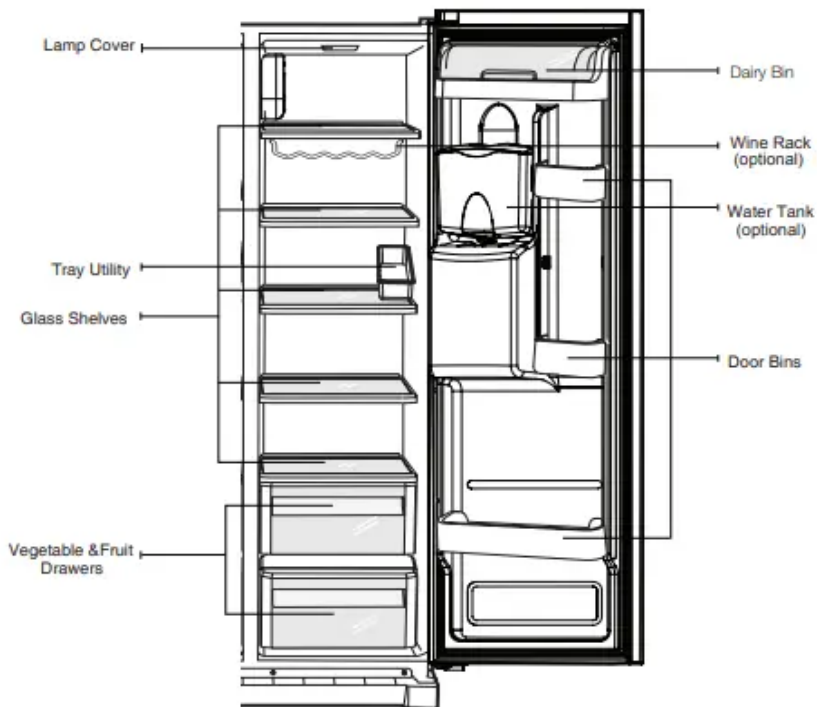
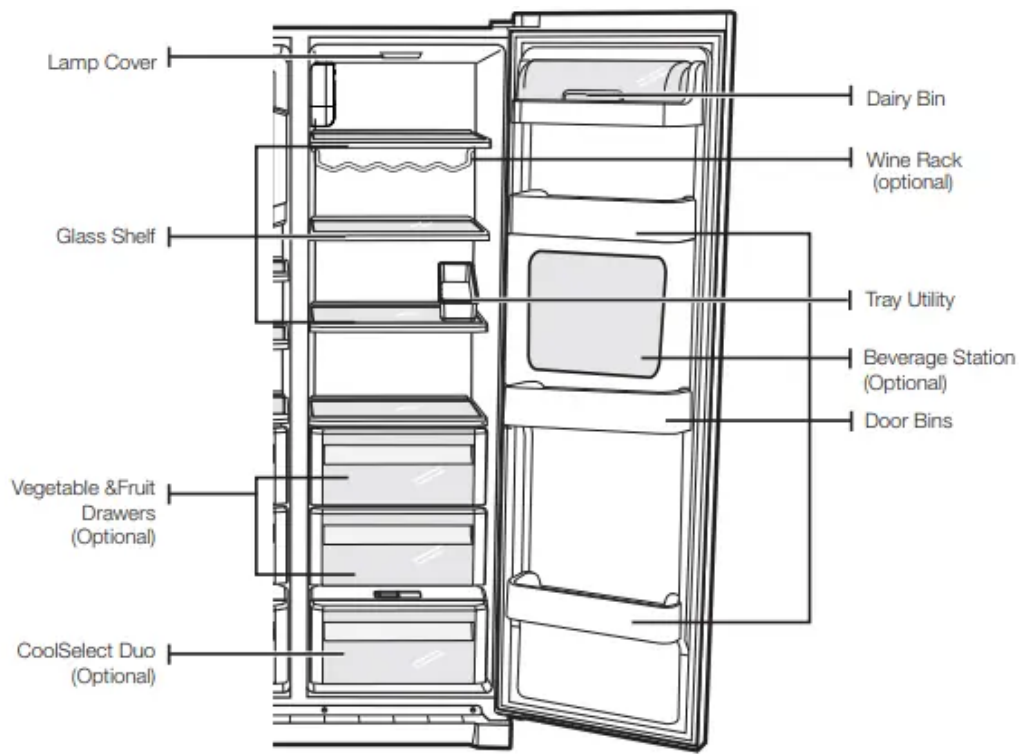
### Using the cold water dispenser (fridge)

Place a glass underneath the water outlet and push gently against the water dispenser lever with your glass. Make sure the glass is in line with the dispenser to prevent the water from splashing out.



## Shelves and bins (freezer)

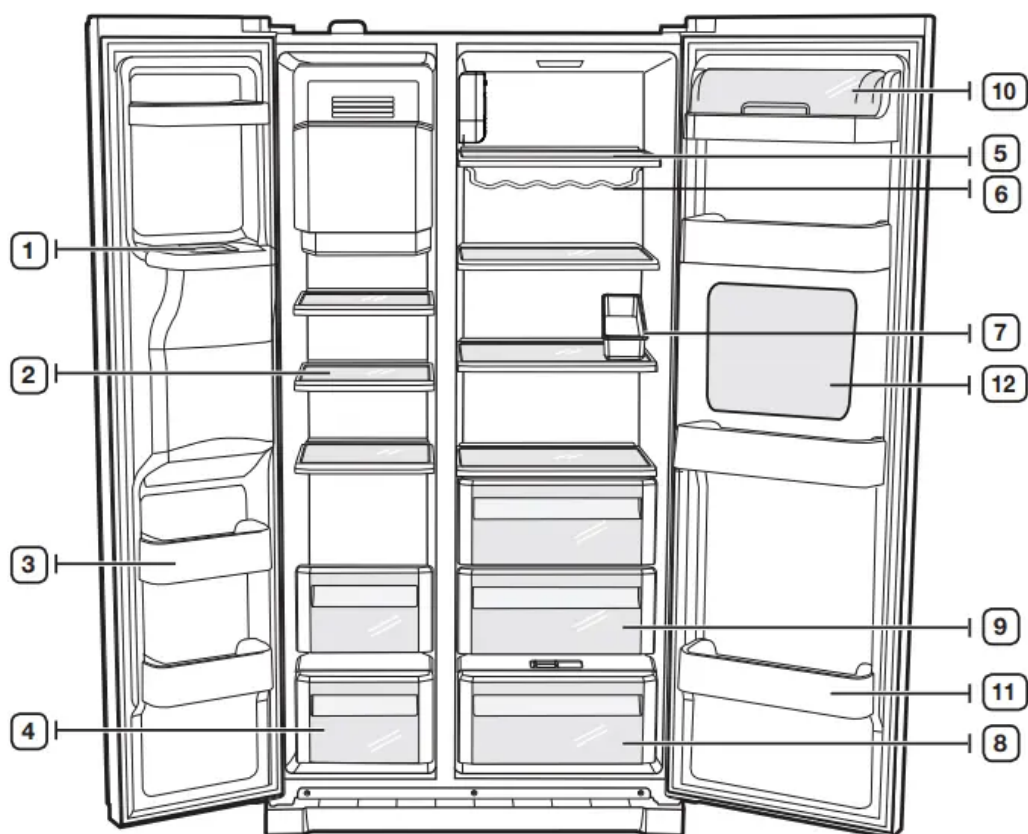




## Storing food

### Storing Food in the Freezer

The Samsung Side-By-Side Refrigerator has been designed to provide you with maximum spacesaving features and functions. Here are some of the customized compartments we have created to keep your food fresher, longer. Remember, in order to prevent odor penetration to the ice, stored food should be wrapped securely and as airtight as possible.



### Storing Food in the Freezer

1.ICE CHUTE	Do not put your fingers, hands or any other objects in the ice chute or the ice maker bucket. This may result in personal injury or material damage.
2.SHELVES	Can be used to store all types of frozen food.
3.DOOR BINS	Can be used for small packages of frozen food.
4.DRAWERS	Best used to store meats or dry foods.Stored food should be wrapped securely using foil or other suitable wrapping materials or containers.

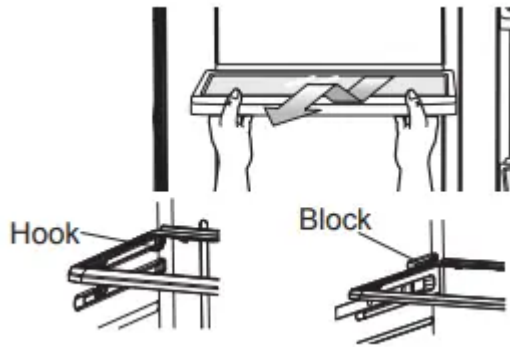
### Storing Food in the Fridge

5.SHELVES	Designed to be crack-resistant.They can be used to store all types of food and drinks.Circular marks on the glass surface are a normal phenomenon and can usually be wiped clean with a damp cloth.
6 WINE RACK (OPTIONAI)	A place in which the wine is placed.
7.TRAY UTILITY	Best place to keep eggs.Place the TRAY UTILITY on the shelf for easy access.
8.COOSELECT DUO(OPTIONAI)	Helps to preserve the taste, and prolong the freshness of your food. Use it to store meat,vegetable, poultry, fish or any other foods that are consumed on a regular basis.
9.FRUIT & VEGETABLE DRAWER	Used to preserve the freshness of your stored vegetables and fruits. It has been specifically designed to control the level of humidity within the drawer.
10.DAIRY BIN	Can be used to store smaller dairy items like butter or margarine, yogurt or cream-cheese bricks.
11.DOOR BINS	Designed to handle large, bulky items such as gallons of milk or other large bottles and containers.
12.BEVERAGE STATION (OPTIONAI)	Canbe used to store the frequently used items,such as canned beverages and snacks and allows access to these items without opening the regrigerator door.

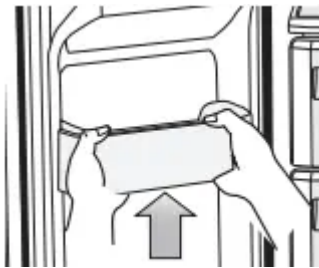
## Removing the freezer accessories

Cleaning and rearranging the interior of the freezer is a snap.

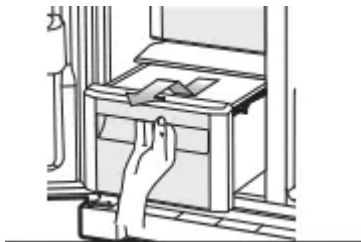
1.Remove the Glass Shelf by pulling the shelf out as far as it will go. Then, gently lift it up and remove it.



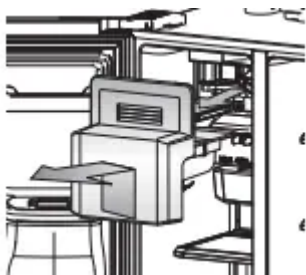
2.Remove the Door Bin by holding the door bin with both hands and then gently lift it up



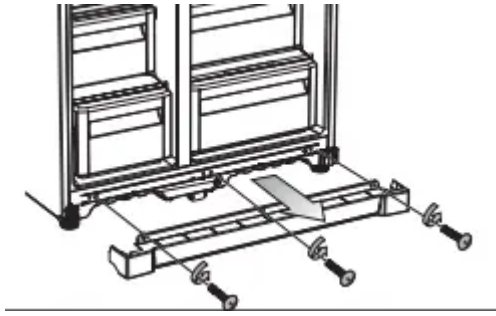
3.Remove the Plastic Drawer by pulling it out and slightly lifting it up



4.Remove the Icemaker Bucket by lifting up and pulling it out.



5.Remove the Front Leg Cover by opening both the freezer and refrigerator doors, and removing the three screws. Once the screws are free, detach the cover. To reattach the front leg cover, place it back in its original position and tighten the three screws.



## Removing the freezer accessories

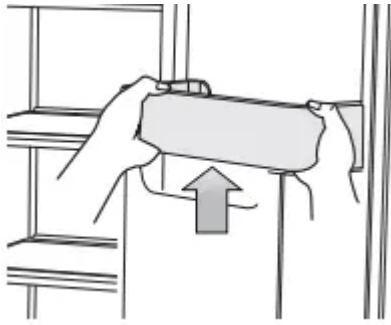
1. Remove the Glass Shelf by pulling the shelf out as far as it will go. Then, gently lift it up and gently remove it.



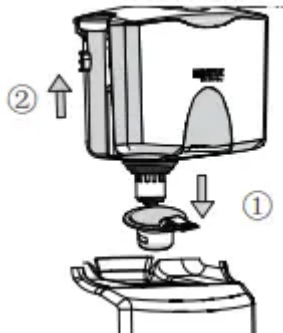
2. Remove the Vegetable & Fruit Drawer by pressing on the indentations found on the inside left and right sides of the Veggie Box/ Dry Box cover and remove by pulling forward. Holding the drawer with one hand, lift it up a little bit while pulling it forward and take it out of the refrigerator.



3. Remove the Gallon Door Bin by holding the bin with both hands and gently lifting it up



4. Push the Case Fixer handle, and lift the Water Tank up, then take it out

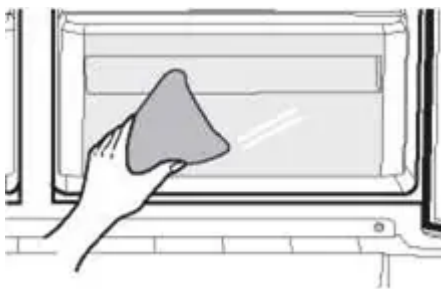


## Cleaning the refrigerator

Caring for your Samsung Side-By-Side Refrigerator prolongs the life of your appliance and helps keep it odor and germ-free.

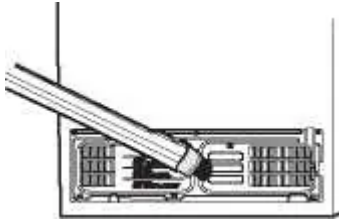
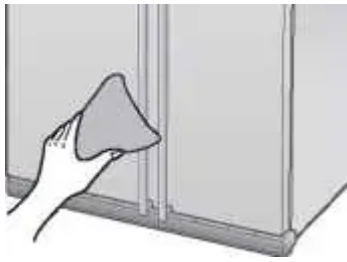
### Cleaning the Interior

Clean the inside walls and accessories with a mild detergent and then wipe dry with a soft cloth. You can remove the drawers and shelves for a more thorough cleaning. Just make sure to dry them before putting them back into place.

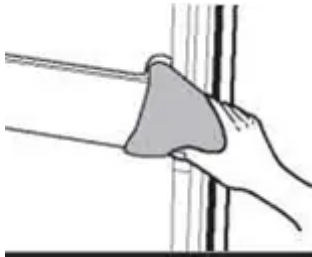


### Cleaning the Exterior

Wipe the digital panel and display panel with a clean, soft cloth. Spray water onto the cleaning cloth instead of spraying directly on the surface of the refrigerator. This helps ensure an even distribution of moisture to the surface. The doors, handles and cabinet surfaces should be cleaned with a mild detergent and then wiped dry with a soft cloth. To keep your appliance looking its best, the exterior should be polished once or twice a year.

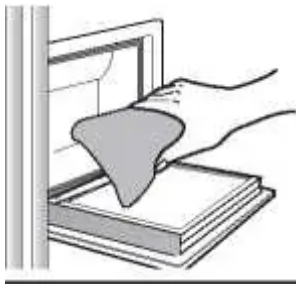


If the rubber door seals are dirty the doors may not close properly, and the refrigerator will not operate efficiently. Keep the door seals free of grit or grime by cleaning the doors with a mild detergent and damp cloth. Wipe dry with a clean, soft cloth.



### **Cleaning the Home Bar**

Use a damp cloth to clean the ice and water dispenser. Then wipe dry with a clean, soft cloth.



### **Using the doors**

The refrigerator doors are equipped with a door opening and closing feature that ensures that the doors close all the way and are securely sealed.

After opening beyond a certain point, the door will “catch” and remain open. When the door is ajar ahead of the catch that allows it to stay open, it will close automatically.

# Troubleshooting



Symptom	Action
<p><b>The refrigerator does not work at all or it does not chill sufficiently.</b></p>	<ul style="list-style-type: none"> <li>• Check that the power plug is properly connected.</li> <li>• Is the temperature control on the display panel set to the correct temperature? Try setting it to a lower temperature.</li> <li>• Is the refrigerator in direct sunlight or located too near a heat source?</li> <li>• Is the back of the refrigerator too close to the wall and therefore keeping air from circulating?</li> </ul>
<p><b>The food in the fridge is frozen.</b></p>	<ul style="list-style-type: none"> <li>• Is the temperature control on the display panel set to the correct temperature? Try setting it to a warmer temperature.</li> <li>• Is the temperature in the room very low?</li> <li>• Did you store the food with a high water content in the coldest part of the fridge? Try moving those items into the body of the fridge instead of keeping them in the CoolSelect Duo™ drawer.</li> </ul>
<p><b>You hear unusual noises or sounds.</b></p>	<ul style="list-style-type: none"> <li>• Check that the refrigerator is level and stable.</li> <li>• Is the back of the refrigerator too close to the wall and therefore keeping air from circulating?</li> <li>• Was anything dropped behind or under the refrigerator?</li> <li>• A “ticking” sound is heard from inside the refrigerator. This is normal and occurs because various accessories are contracting or expanding in relation to the temperature of the refrigerator interior.</li> </ul>
<p><b>The front corners and sides of the appliance are hot and condensation is occurring.</b></p>	<ul style="list-style-type: none"> <li>• Some heat is normal as anti-condensators are installed in the frontcorners of the refrigerator to prevent condensation</li> <li>• Is the refrigerator door ajar? Condensation can occur when you leave the door open for a long time.</li> </ul>



<p><b>Ice is not dispensing.</b></p>	<ul style="list-style-type: none"> <li>• Did you wait for 12 hours after installation of the water supply line before making ice?</li> <li>• Is the water line connected and the shut-off valve open?</li> <li>• Did you manually stop the ice making function? Make sure Ice Type is set to Cubed or Crushed.</li> <li>• Is there any ice blocked within the ice storage unit?</li> <li>• Is the freezer temperature too warm? Try setting the freezer temperature lower.</li> </ul>
<p><b>You can hear water bubbling in the refrigerator</b></p>	<ul style="list-style-type: none"> <li>• This is normal. The bubbling comes from the refrigerant coolant liquid circulating through the refrigerator.</li> </ul>



<p><b>There is a bad smell in the refrigerator.</b></p>	<ul style="list-style-type: none"> <li>• Has a food item spoiled?</li> <li>• Make sure that strong smelling food (for example, fish) is wrapped so that it is airtight.</li> <li>• Clean out your freezer periodically and throw away any spoiled or suspect food.</li> </ul>
<p><b>Frost forms on the walls of the freezer.</b></p>	<ul style="list-style-type: none"> <li>• Is the air vent blocked? Remove any obstructions so air can circulate freely.</li> <li>• Allow sufficient space between the foods stored for efficient air circulation.</li> <li>• Is the freezer door closed properly?</li> </ul>
<p><b>Water dispenser is not functioning.</b></p>	<ul style="list-style-type: none"> <li>• Is the water line connected and the shut-off valve open?</li> <li>• Has the water supply line tubing been crushed or kinked? Make sure the tubing is free and clear of any obstruction.</li> <li>• Is the water tank frozen because the refrigerator temperature is too low? Try selecting a warmer setting on the main display panel.</li> </ul>
<p><b>The alarm does not sound even though the door is open?</b></p>	<ul style="list-style-type: none"> <li>• The door alarm only sounds when the refrigerator door is ajar at an angle of more than 15 for more than 2 minutes. Initially, the alarm sounds with 10 consecutive rings, then rings 10 consecutive times every minute.</li> </ul>

**Warning**

This content is compiled from multiple sources and is provided for reference purposes only. It may not be complete or fully applicable to all situations. If you are unable to resolve your issue, please contact the product manufacturer or an authorized service provider for official support.

