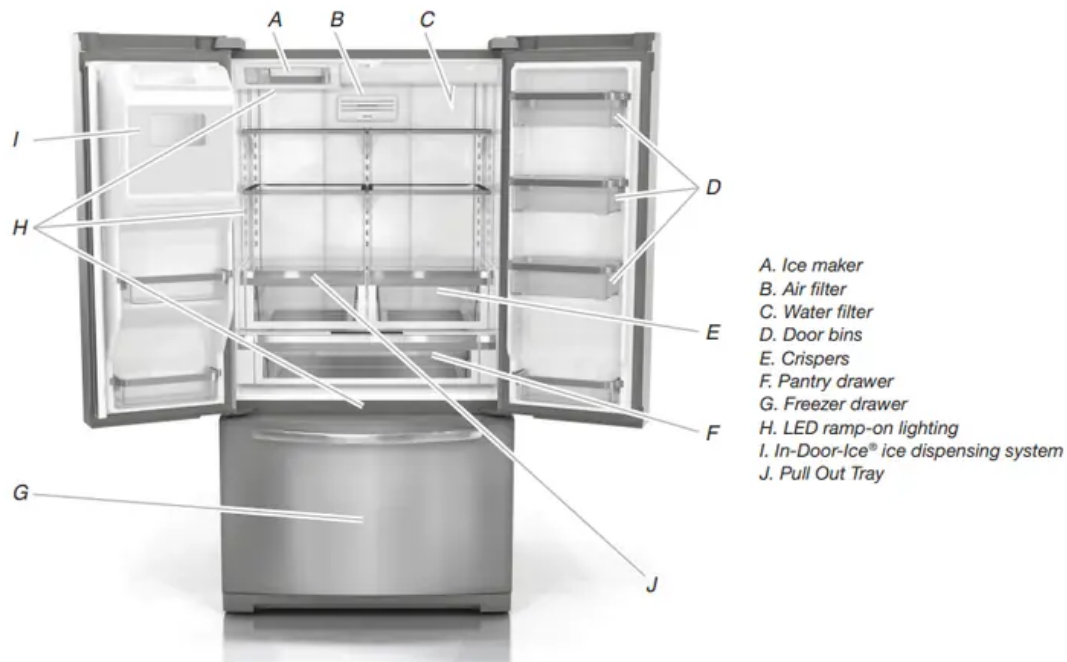


## PARTS AND FEATURES



### What's New Behind the Doors?

Your KitchenAid® French Door Refrigerator comes equipped with various innovative storage and energy efficient features.

#### Energy and Normal Operating Sounds

Your new French Door Bottom Mount refrigerator has been designed to optimize energy efficiency, and better regulate temperatures to match cooling demand. You may notice that it operates differently than your previously owned refrigerator. It is normal for the high-efficiency compressor to run for extended periods of time at varying speeds in order to consume only the energy necessary for optimum efficiency. In addition, during various stages of the cooling cycle, you may hear normal operating sounds that are unfamiliar to you.

#### More Storage Space

The French Door Bottom Mount has the most fresh food storage space available, including a full-width, temperature controlled, pantry drawer perfect for storing veggie trays or party platters. In-Door-Ice® Ice Dispensing System The ice storage bin located in the door provides an entire extra shelf of storage space and the storage bin is removable for easy access to filtered ice.

## INSTALLATION INSTRUCTIONS

#### Dual Evaporator (on some models)

The refrigerator compartment and freezer compartment have separate evaporators to provide fresh food and frozen food with separate climates. The refrigerator stays cool and humid for the optimum storage of fresh foods while the freezer stays cold and dry. Humidity from the refrigerator does not mix with dry freezer air, so frost is controlled, which reduces freezer burn. Since no air is shared between the refrigerator and freezer, the transfer of food odors and tastes from the refrigerator to the freezer is eliminated.

### **Pull Out Tray**

This full-width slide-out shelf tucked between the crispers and the lowest shelf is perfect for leftover family-sized casserole dishes, pizza boxes, and large party platters.

### **Water Filter**

NSF® Certified filter reduces chlorine taste and odor, particulates class I), lead, and mercury. Replacing the water filter every 6 months ensures clean, filtered drinking water.

### **Air Filter**

An air filter is 15 times more powerful than baking soda at reducing common food odors inside the refrigerator.

### **Produce Preserver (on some models)**

Ethylene is a natural gas produced by fruits and vegetables to promote ripening. The Produce Preserver absorbs ethylene, to delay the over-ripening of fresh produce. As a result, certain produce items will stay fresh longer.

### **Water Dispenser with Measured Fill**

The measured fill feature allows you to dispense the desired amount of filtered water.

### **LED Lighting**

The LED lights do not ever need to be replaced.

### **Shelves with under-shelf lighting (on some models)**

By moving LED lighting to a new spot under the shelves, this leading-edge technology elevates the look and feel of your refrigerator.

### **Door Alarm**

A helpful alarm sounds when the refrigerator door or freezer drawer is left ajar.

### **Power Outage Indicator**

If the power should go out while you are away from home, this indicator will let you know that the refrigerator has been without power.

## Unpack the Refrigerator

### Remove the Packaging

- Remove tape and glue residue from surfaces before turning on the refrigerator. Rub a small amount of liquid dish soap over the adhesive with your fingers. Wipe with warm water and dry.
- Do not use sharp instruments, rubbing alcohol, flammable fluids, or abrasive cleaners to remove tape or glue. These products can damage the surface of your refrigerator.
- Dispose of/recycle all packaging materials.

**When Moving Your Refrigerator:** *Your refrigerator is heavy. When moving the refrigerator for cleaning or service, be sure to cover the door with cardboard or hardboard to avoid door damage. Always pull the refrigerator straight out when moving it. Do not wiggle or “walk” the refrigerator when trying to move it, as door damage could occur.*

### Clean Before Using

After you remove all of the packaging materials, clean the inside of your refrigerator before using it. See the cleaning instructions in “Refrigerator Care.”

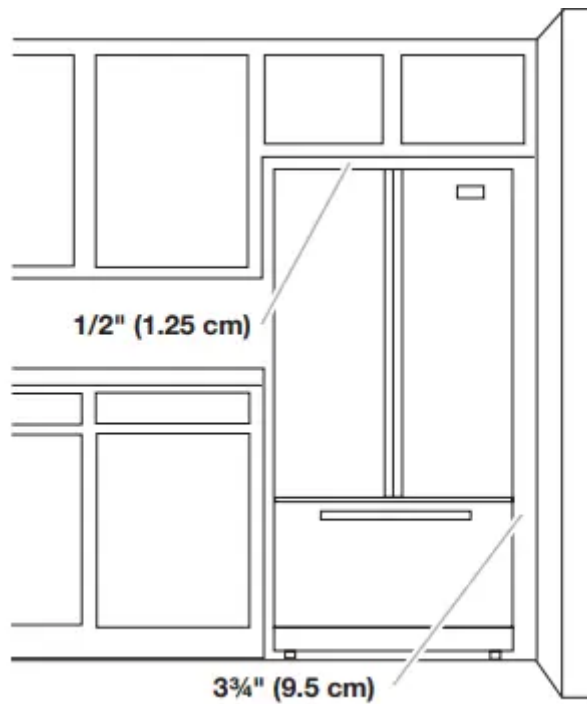
**Important information to know about glass shelves and covers:** *Do not clean glass shelves or covers with warm water when they are cold. Shelves and covers may break if exposed to sudden temperature changes or impact, such as bumping. Tempered glass is designed to shatter into many small, pebble-size pieces. This is normal. Glass shelves and covers are heavy. Use both hands when removing them to avoid dropping.*

## Location Requirements

**IMPORTANT:** This appliance is intended to be used in household and similar applications such as:

- Staff kitchen areas in shops, offices and other working environments;
- Farm houses and by clients in hotels, motels and other residential type environments;
- Bed and breakfast type environments;
- Catering and similar non-retail applications.

To ensure proper ventilation for your refrigerator, allow for a 1/2" (1.25 cm) of space on each side and at the top. Allow for a 1" (2.54 cm) space behind the refrigerator. If your refrigerator has an ice maker, allow extra space at the back for the water line connections. When installing your refrigerator next to a fixed wall, leave a 3 3/4" (9.5 cm) minimum space between the refrigerator and wall to allow the door to swing open.



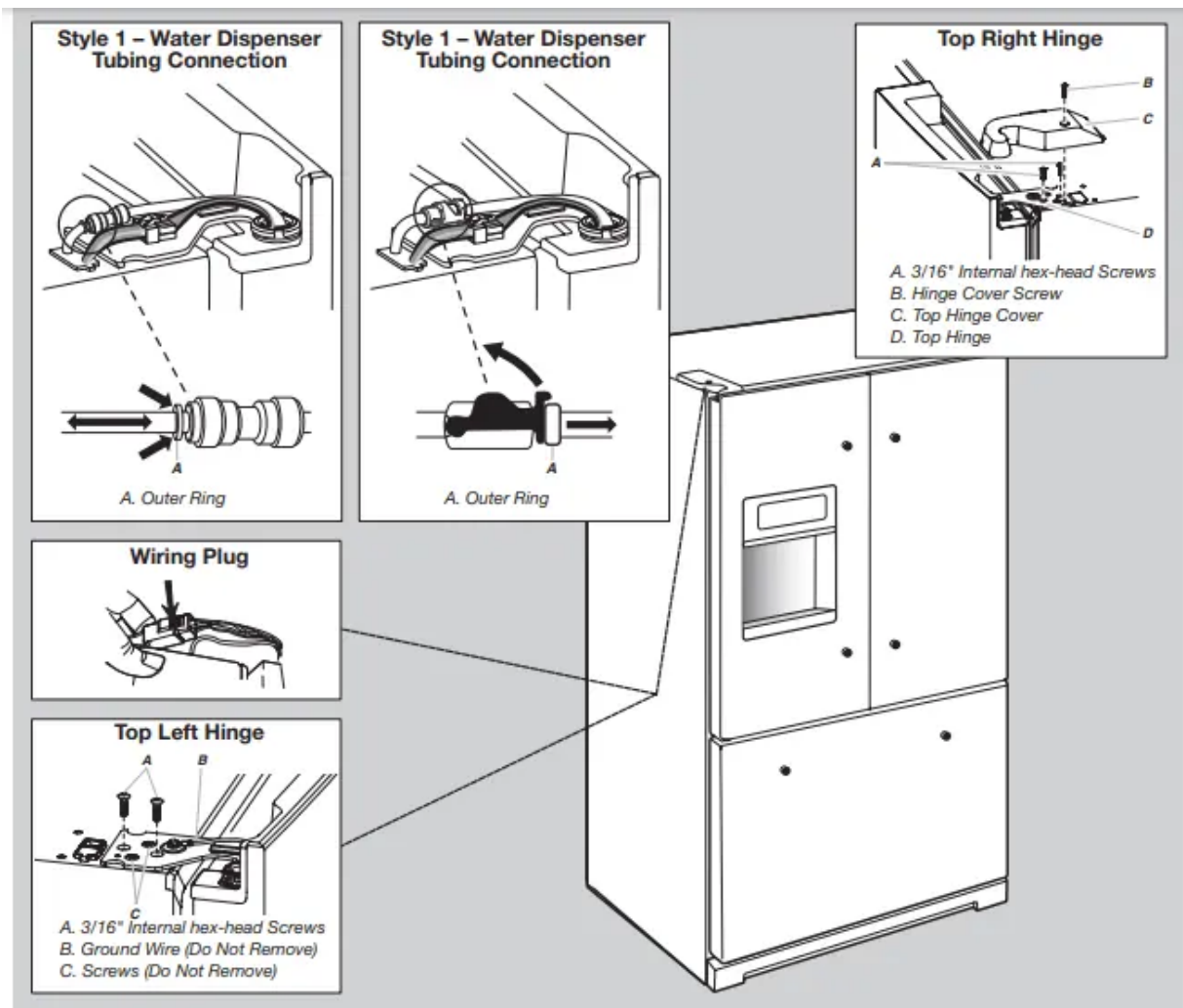
## Remove and Replace Refrigerator Doors

**NOTE:** Measure the width of your door opening, to see whether or not you need to remove the refrigerator doors to move the refrigerator into your home. If door removal is necessary, see the following instructions.

**IMPORTANT:** If the refrigerator was previously installed and you are moving it out of the home, before you begin, turn the refrigerator control OFF. Unplug the refrigerator or disconnect power. Remove food and adjustable door or utility bins from doors. Gather the required tools and read all instructions before removing doors.

**TOOLS NEEDED:** 3/16" hex- key wrench and a #2 Phillips screwdriver

### Door Removal and Replacement

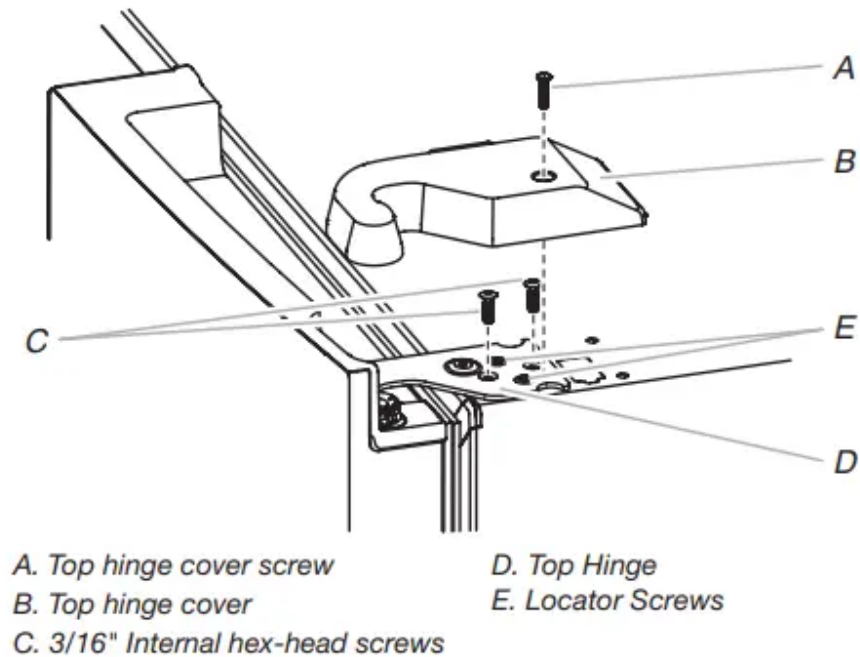


### **Door Removal and Replacement**

1. Unplug refrigerator or disconnect power.
2. Keep the refrigerator doors closed until you are ready to lift them free from the cabinet.
  - **NOTE:** Provide additional support for the refrigerator door while the hinges are being removed. Do not depend on the door gasket magnets to hold the door in place while you are working.
3. Using a Phillips screwdriver, remove the cover from the Top Hinge.

4. Using the 3/16" hex-key wrench, remove the two internal hexhead screws from the top hinge, and set aside.

- **NOTE:** Do not remove the two locator screws. These screws will help you align the hinge when you replace the door.

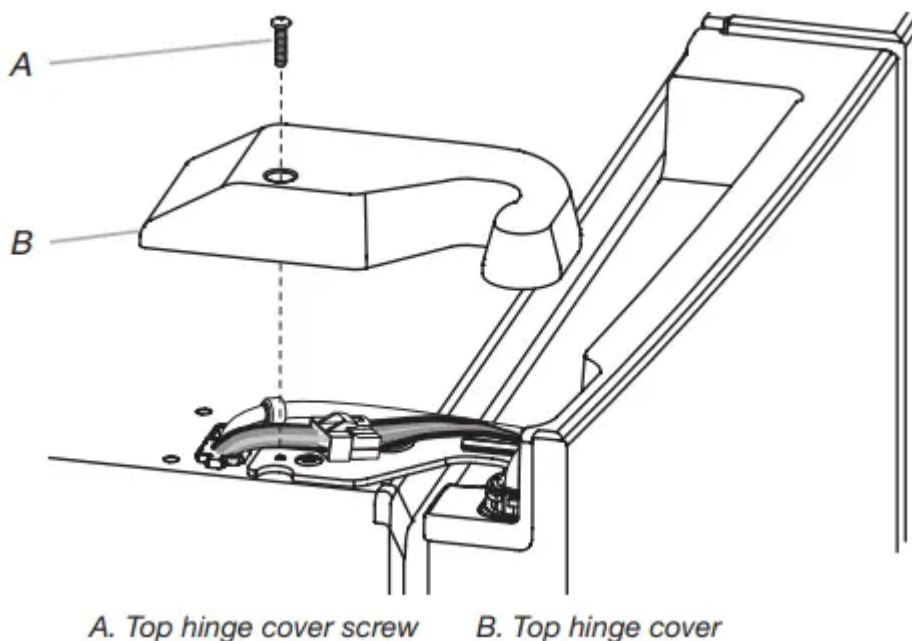


5. Lift the refrigerator door from the bottom hinge pin. The top hinge will come away with the door.

### **Remove Left-Hand Refrigerator Door**

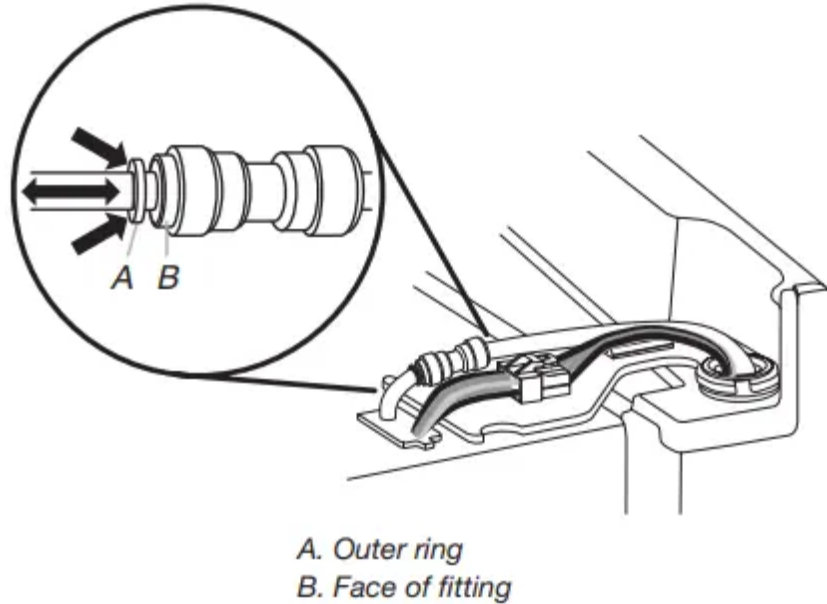
**IMPORTANT:** The tubing and wiring for the water dispenser run through the left-hand door hinge, so they must be disconnected before removing the door.

1. Using a Phillips screwdriver, remove the cover from the top hinge.

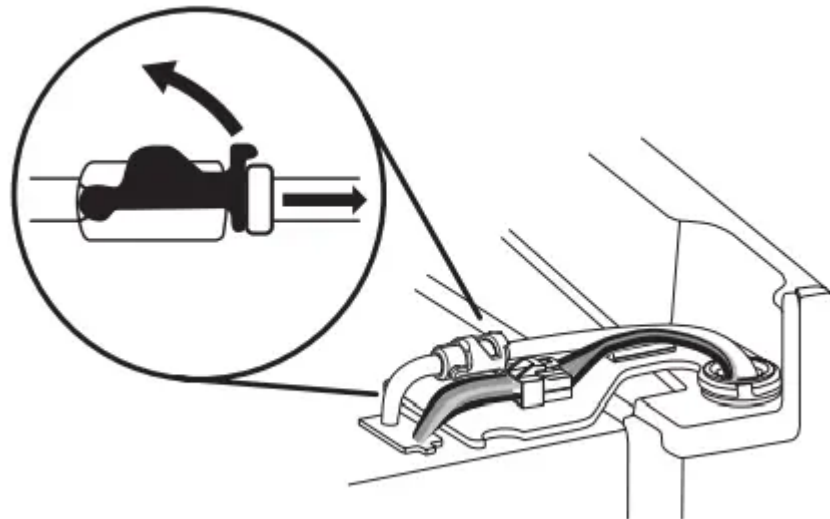


2. Disconnect the water dispenser tubing located on top of the door hinge.

- **Style 1** - Press the outer ring against the face of the fitting and gently pull the dispenser tubing free.
- **NOTE:** The water dispenser tubing remains attached to the left-hand refrigerator door.



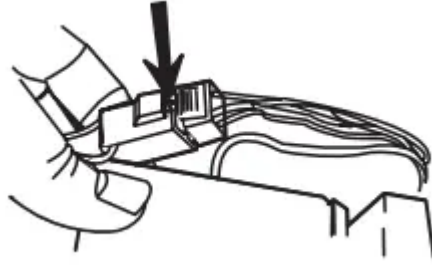
- **Style 2** - Firmly pull up on the clasp. Then, pull the tubing out of the fitting.  
**NOTE:** The water dispenser tubing remains attached to the left-hand refrigerator door.



3. Disconnect the wiring plug located on top of the door hinge.

- Grasp each side of the wiring plug. With your left thumb, press down to release the catch and pull the sections of the plug apart.

- **NOTE:** Do not remove the green, ground wire. It should remain attached to the

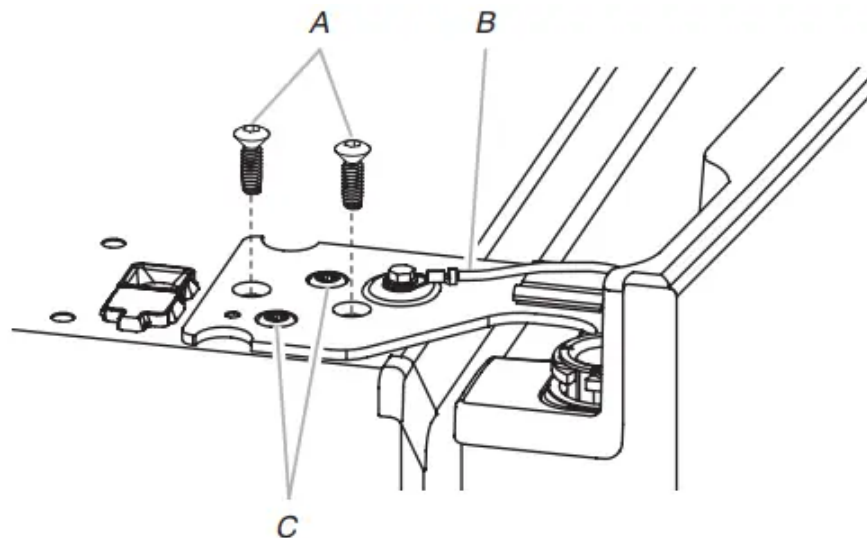


door hinge.

- Using the 3/16" hex-key wrench, remove the two internal hexhead screws from the top hinge, and set aside.

- **NOTES:**

- Provide additional support for the refrigerator door while the hinges are being removed. Do not depend on the door gasket magnets to hold the door in place while you are working.
- Do not remove the two locator screws. These screws will help you align the hinge when you replace the door.



A. 3/16" Internal hex-head screws      C. Locator screws (do not remove)  
 B. Ground wire (do not remove)

- Lift the refrigerator door from the bottom hinge pin. The top hinge will come away with the door.

- **NOTE:** It may not be necessary to remove the bottom hinges and brake feet assemblies to move the refrigerator through a doorway.
- Only if necessary, use a driver with a #2 square bit tip to remove the bottom hinges and a 3/8" nut driver to remove the brake feet screws.

### **Replace Right-Hand Refrigerator Door**

- Set the right-hand door onto the bottom hinge pin.

2. Insert the top hinge pin into the open hole in the top of the refrigerator door.
3. Using the two 3/16" internal hex-head screws, fasten the hinge to the cabinet. Do not tighten the screws completely.

### **Replace Left-Hand Refrigerator Door**

**IMPORTANT:** Do not intertwine the water tubing and wiring bundles when reconnecting them.

1. Set the left-hand door onto the bottom hinge pin.
2. Using the two 3/16" internal hex-head screws, fasten the hinge to the cabinet. Do not tighten the screws completely.
3. Reconnect the water dispenser tubing.
  - **Style 1** - Insert the tubing into the fitting until it stops and the outer ring is touching the face of fitting.
  - **Style 2** - Insert the tubing firmly into the fitting until it stops.
  - Close the clasp around the tubing. The clasp snaps into place between the fitting and the collar.
4. Reconnect the electrical wiring.
  - Push together the two sections of the wiring plug.

### **Final Steps**

1. Completely tighten the four internal hex-head screws (two on the right-hand door hinge and two on the left-hand door hinge).
2. Replace both top hinge covers.

### **Remove and Replace Freezer Drawer Front**

Depending on the width of your door opening, it may be necessary to remove the freezer drawer front to move the refrigerator into your home.

**IMPORTANT:**

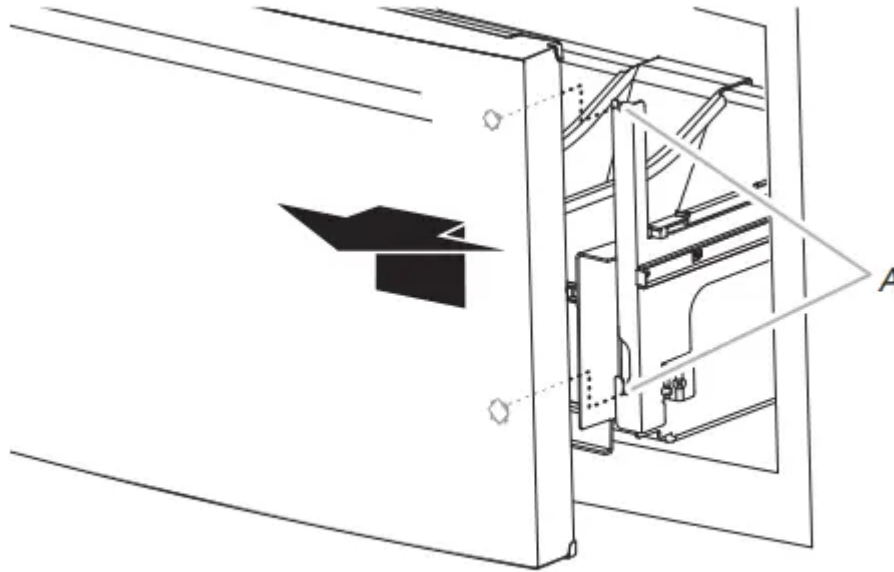
- If the refrigerator was previously installed and you are moving it out of the home, before you begin, turn the refrigerator control OFF, and unplug the refrigerator or disconnect power. Remove food from the freezer drawer.
- Two people may be required to remove and replace the freezer drawer front.

### **Tool Needed: 1/4" hex driver**

#### **Remove Drawer Front**

1. Open the freezer drawer to its full extension.
2. Remove the two screws at the top, inside the drawer front (one on the left-hand side and one on the right-hand side) that fasten the drawer front to the drawer glides.

3. Lift up on the drawer front to release the plastic studs from the drawer glide bracket slots.

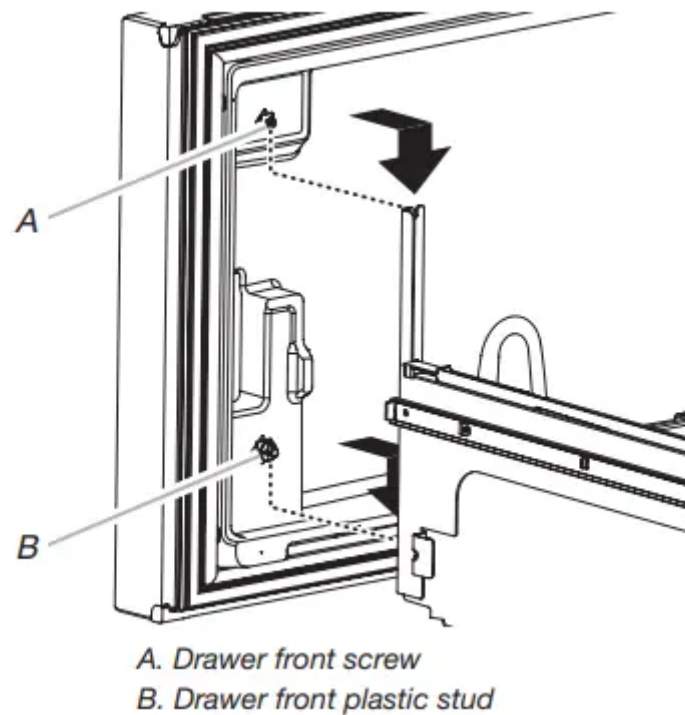


*A. Drawer glide bracket slots*

4. Slide the drawer glides back into the freezer

### **Replace Drawer Front**

1. Pull out the freezer drawer glides to their full extension.
2. Holding the drawer front by its sides, align the two plastic studs, located at the bottom, inside the drawer front, with the drawer glide bracket slots. **NOTE:** It helps if one person holds the drawer glides steady while another person aligns the drawer front and inserts the studs into the slots.
3. Replace and tighten the two screws at the top of the drawer front (one on the left-hand side and one on the right-hand side).



### Final Steps

1. Plug into a grounded 3 prong outlet.
2. Reset the controls. See “Using the Controls.”
3. Return all removable door parts to doors and the food to refrigerator.

### Electrical Requirements

Before you move your refrigerator into its final location, it is important to make sure you have the proper electrical connection.

#### Recommended Grounding Method

A 115 V, 60 Hz, AC only 15 or 20 A fused, grounded electrical supply is required. It is recommended that a separate circuit serving only your refrigerator be provided. Use an outlet that cannot be turned off by a switch. Do not use an extension cord. NOTE: Before performing any type of installation, cleaning, or removing a light bulb, turn Cooling OFF, and then disconnect the refrigerator from the electrical source. When you have finished, reconnect the refrigerator to the electrical source and turn Cooling ON. See “Using the Controls.”

### Water Supply Requirements

A cold water supply with water pressure between 35 and 120 psi (241 and 827 kPa) is required to operate the water dispenser and ice maker. If you have questions about your water pressure, call a licensed, qualified plumber.

**NOTE:** If the water pressure is less than what is required, the flow of water from the water dispenser could decrease or ice cubes could be hollow or irregular shaped.

## **Reverse Osmosis Water Supply**

**IMPORTANT:** The pressure of the water supply coming out of a reverse osmosis system going to the water inlet valve of the refrigerator needs to be between 35 and 120 psi (241 and 827 kPa).

If a reverse osmosis water filtration system is connected to your cold water supply, the water pressure to the reverse osmosis system needs to be a minimum of 40 to 60 psi (276 to 414 kPa).

- Check to see whether the sediment filter in the reverse osmosis system is blocked. Replace the filter if necessary.
- Allow the storage tank on the reverse osmosis system to refill after heavy use. The tank capacity could be too small to keep up with the requirements of the refrigerator.
  - **NOTE:** Faucet mounted reverse osmosis systems are not recommended.
- If your refrigerator has a water filter, it may further reduce the water pressure when used in conjunction with a reverse osmosis system. Remove the water filter. See “Water Filtration System.”

If you have questions about your water pressure, call a licensed, qualified plumber.

## **Connect the Water Supply**

Read all directions before you begin.

### **IMPORTANT:**

- Connect to potable water supply only.
- Plumbing shall be installed in accordance with the
- International Plumbing Code and any local codes and ordinances.
- The gray water tubing on the back of the refrigerator (which is used to connect to the household water line) is a PEX (cross-linked polyethylene) tube. Copper and PEX tubing connections from the household water line to the refrigerator are acceptable, and will help avoid off-taste or odor in your ice or water. Check for leaks.
- Install tubing only in areas where temperatures will remain above freezing.

### **TOOLS NEEDED:**

Gather the required tools and parts before starting installation.

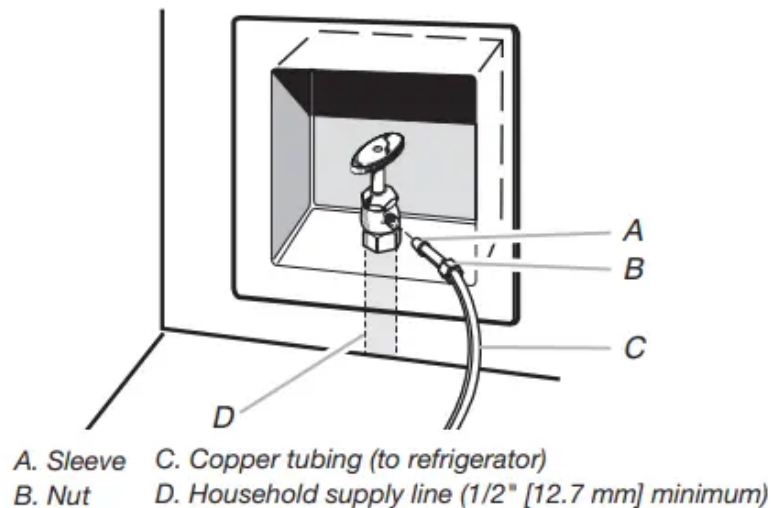
- Flat-blade screwdriver
- 7/16" and 1/2" open-end wrenches or two adjustable wrenches
- 1/4" nut driver

**NOTE:** Do not use a piercing-type or 3/16" (4.76 mm) saddle valve which reduces water flow and clogs easier.

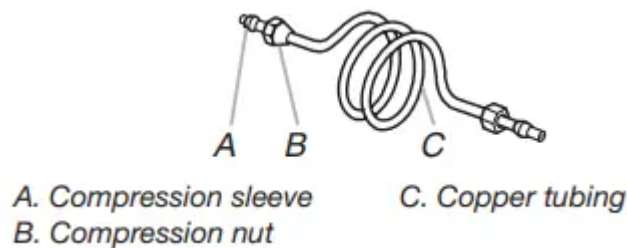
## **Connect to Water Line**

**IMPORTANT:** If you turn the refrigerator on before the water is connected, turn the ice maker OFF.

1. Unplug refrigerator or disconnect power.
2. Turn OFF main water supply. Turn ON nearest faucet long enough to clear line of water.
3. Use a quarter-turn shutoff valve or the equivalent, served by a 1/2" (12.7 mm) household supply line.
  - **NOTE:** To allow sufficient water flow to the refrigerator, a minimum 1/2" (12.7 mm) size household supply line is recommended.



4. Now you are ready to connect the copper tubing to the shutoff valve. Use 1/4" (6.35 mm) OD soft copper tubing to connect the shutoff valve and the refrigerator.
  - Ensure that you have the proper length needed for the job. Be sure both ends of the copper tubing are cut square.
  - Slip compression sleeve and compression nut onto copper tubing as shown. Insert end of tubing into outlet end squarely as far as it will go. Screw compression nut onto outlet end with adjustable wrench. Do not overtighten.



5. Place the free end of the tubing into a container or sink, and turn on main water supply to flush out tubing until water is clear. Turn OFF shutoff valve on the water pipe.
  - **NOTE:** Always drain the water line before making the final connection to the inlet of the water valve to avoid possible water valve malfunction.

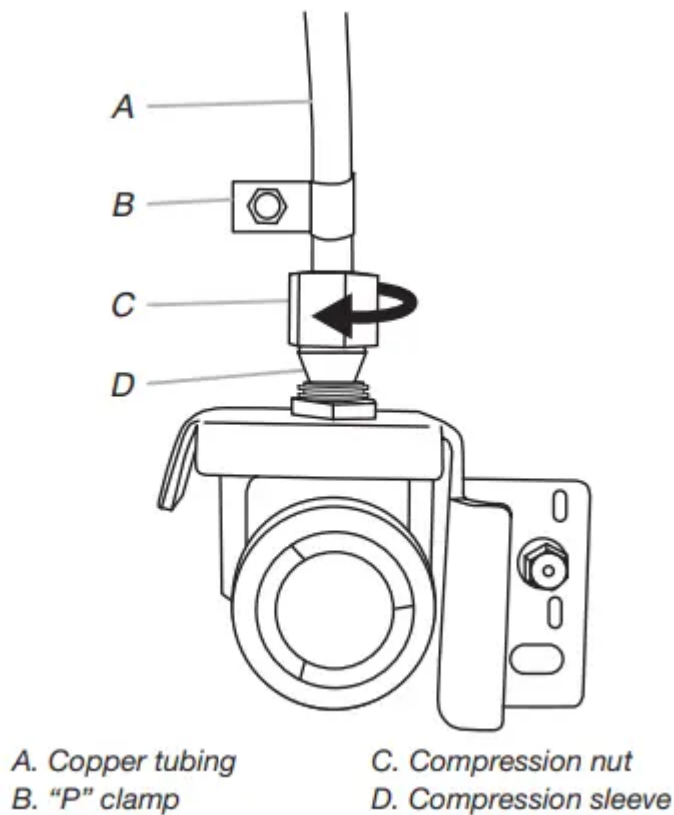
6. Bend the copper tubing to meet the water line inlet, which is located on the back of the refrigerator cabinet as shown. Leave a coil of copper tubing to allow the refrigerator to be pulled out of the cabinet or away from the wall for service.

### **Connect to Refrigerator**

Follow the connection instructions specific to your model.

#### **Style 1**

1. Remove plastic cap from water valve inlet port. Attach the copper tube to the valve inlet using a compression nut and sleeve as shown. Tighten the compression nut. Do not overtighten. Confirm copper tubing is secure by pulling on copper tubing.
2. Create a service loop with the copper tubing. Avoid kinks when coiling the copper tubing. Secure copper tubing to refrigerator cabinet with a "P" clamp.



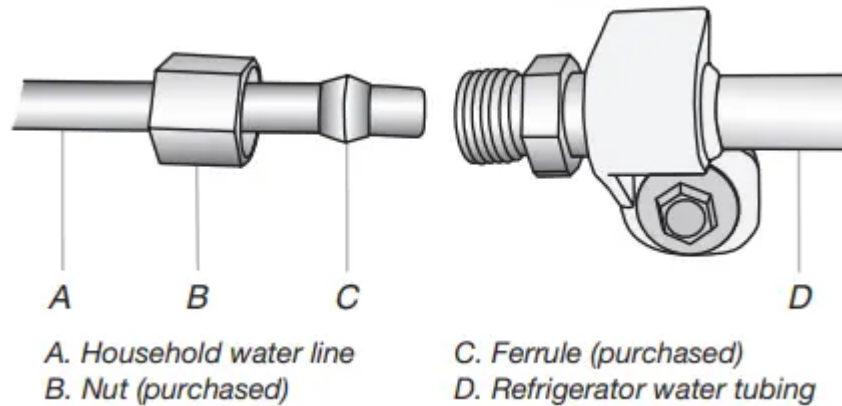
3. Turn on water supply to refrigerator and check for leaks. Correct any leaks.

#### **Style 2**

1. Unplug refrigerator or disconnect power.
2. Remove and discard the short, black plastic part from the end of the water line inlet.

3. Thread the nut onto the end of the tubing. Tighten the nut by hand. Then tighten it with a wrench two more turns. Do not overtighten.

- **NOTE:** To avoid rattling, be sure the copper tubing does not touch the cabinet's side wall or other parts inside the cabinet.



4. Install the water supply tube clamp around the water supply line to reduce strain on the coupling.
5. Turn shutoff valve ON.
6. Check for leaks. Tighten any connections (including connections at the valve) or nuts that leak.
7. On some models, the ice maker is equipped with a built-in water strainer. If your water conditions require a second water strainer, install it in the 1/4" (6.35 mm) water line at either tube connection. Obtain a water strainer from your appliance dealer.

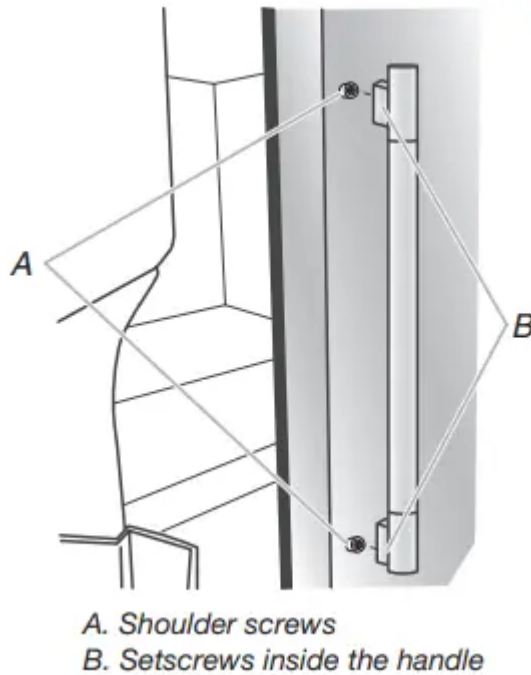
## Handle Installation and Removal

### Install Handles

**NOTE:** Handle mounting setscrews are preinstalled inside the handle.

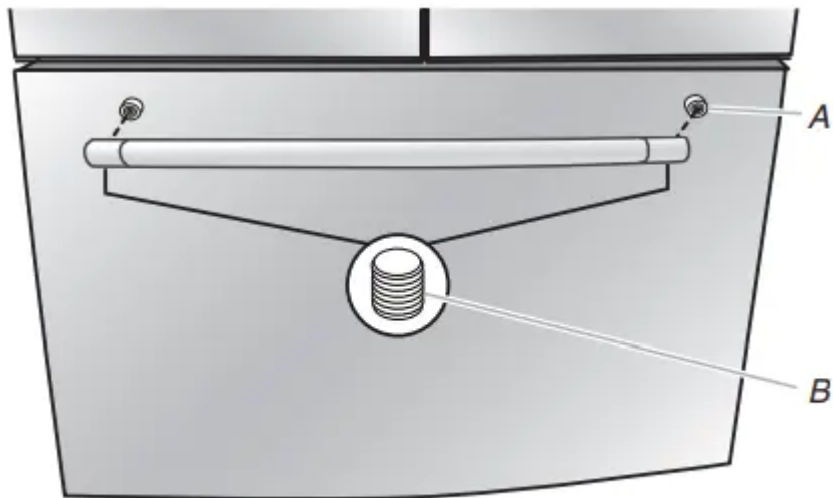
1. Remove the handles from the packaging inside the refrigerator, and place them on a soft surface.

2. Open a refrigerator compartment door. On the closed door, place a handle onto the shoulder screws so that the setscrews are facing the adjacent door.



3. Firmly push the handle toward the door until the handle base is flush against the door.
4. While holding the handle, insert the short end of the hex key into the upper hole and slightly rotate the hex key until it is engaged in the setscrew.
5. Using a clockwise motion tighten the setscrew just until it begins to contact the shoulder screw. Do not fully tighten.
6. Repeat steps 4 and 5 to fasten the lower setscrew.
7. Once both setscrews have been partially tightened as instructed in the previous steps, fully tighten both setscrews.
  - **IMPORTANT:** When the screws feel tight, tighten them an additional quarter-turn. The handle is not properly installed without this extra tightening.
8. Repeat steps 2 through 7 to install the other handle onto the adjacent refrigerator door.

9. With the drawer(s) closed, place the handle onto the shoulder screws so that the setscrews are facing down toward the floor.



*A. Shoulder screw*  
*B. Setscrews inside the handle*

10. Firmly push the handle toward the drawer until the handle base is flush against the drawer.
11. Insert the short end of the hex key into the left-hand hole and slightly rotate the hex key until it is engaged in the setscrew.



12. Using a left to right motion tighten the setscrew a quarter-turn at a time just until it begins to contact the shoulder screw. Do not fully tighten.
13. Repeat steps 11 and 12 to fasten the right-hand setscrew to the shoulder screw.
14. Once both setscrews have been partially tightened as instructed in the previous steps, fully tighten both setscrews.
- **IMPORTANT:** When the screws feel tight, tighten them an additional quarter-turn. The handle is not properly installed without this extra tightening.
15. For some models, repeat steps 9 through 14 to install a handle on the second drawer.

16. Save the hex key and all instructions.

### **Remove the Handles**

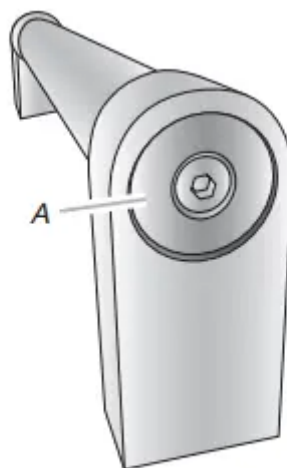
1. While holding the handle, insert the short end of the hex key into a setscrew hole and slightly rotate the hex key until it is engaged in the setscrew.
2. Using a right to left motion loosen the setscrew a quarter-turn at a time.
3. Repeat steps 1 and 2 for the other setscrew. Slowly pull the handle away from the door or drawer.
4. If necessary, use a Phillips screwdriver to remove the shoulder screws from the door.

### **Remove and Replace Handle Medallions (optional)**

The handles for your model have red medallions on the ends.

Replacement medallions are available for purchase. See “Accessories” to order.

1. Using a 1/8" hex key, remove the medallion from the end of the handle.
2. Replace medallion.
3. Using the fastener removed in Step 1, attach the medallion to the handle.



*A. Handle medallion*

## **Refrigerator Leveling, Door Closing and Alignment**

The base grille covers the adjustable brake feet and roller assemblies located at the bottom of the refrigerator below the freezer drawer. Before making any adjustments, remove the base grille and move the refrigerator to its final location.

**Tools Needed: 1/4" hex driver**

### Tools Provided: 1/8" hex-key wrench

1. Remove the base grille. Grasp the grille firmly and pull it toward you. Open the freezer drawer to access the brake feet.
  - **NOTE:** To allow the refrigerator to roll easier, raise the brake feet by turning them counterclockwise. The front rollers will be touching the floor.

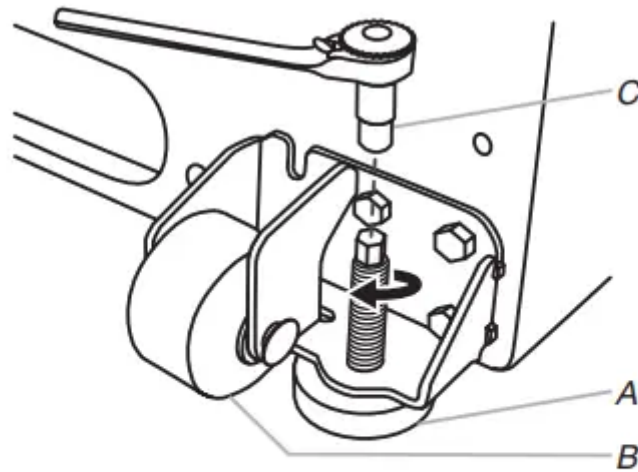


2. Move the refrigerator to its final location.
3. Lower the brake feet, by turning them clockwise, until the rollers are off the floor and both brake feet are snug against the floor. This keeps the refrigerator from rolling forward when opening the refrigerator doors or freezer drawer.
  - **IMPORTANT:** If you need to make further adjustments involving the brake feet, you must turn both brake feet the same amount to keep the refrigerator level.
4. Make sure the doors close easily. If you are satisfied with the door opening and closing, skip the next section and go to "Align the Doors." If, however, the doors do not close easily or the doors pop open, adjust the tilt.

### To Adjust the Cabinet Tilt:

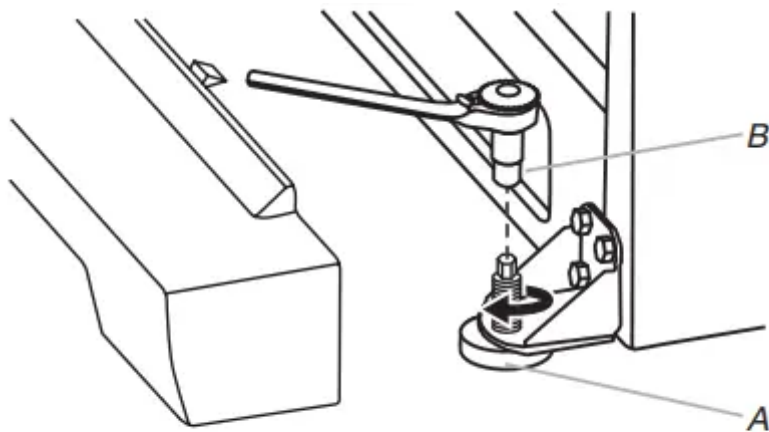
- Open the freezer drawer. Use a 1/4" hex driver to turn both brake feet clockwise the same amount. This will raise the front of the refrigerator. It may take several turns to allow the doors to close easier.
- **NOTE:** Having someone push against the top of the refrigerator takes some weight off the brake feet. This makes it easier to turn them.

### Style 1



A. Brake foot  
 B. Front roller  
 C. 1/4" Hex driver

**Style 2**



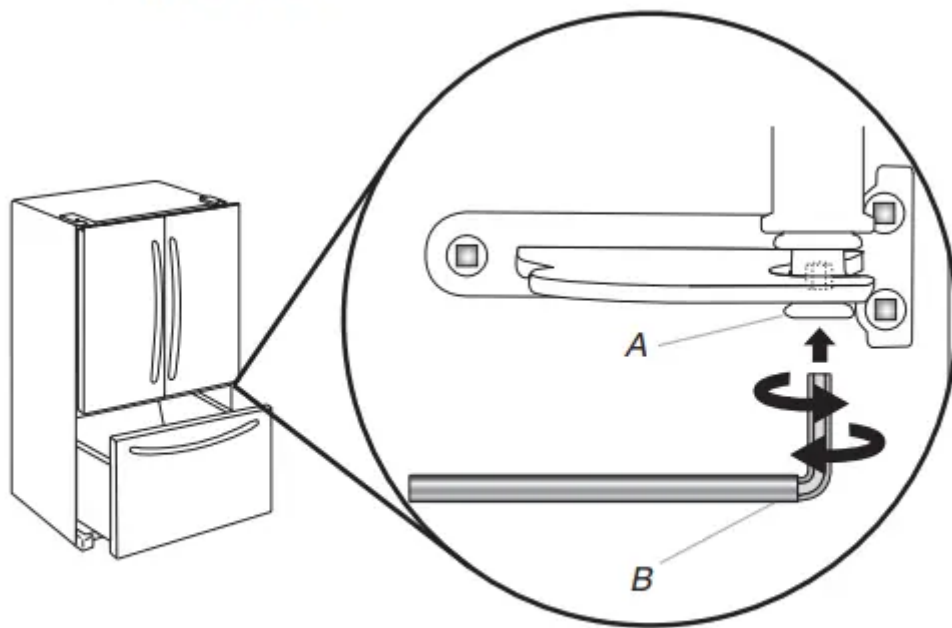
A. Brake foot  
 B. 1/4" Hex driver

5. Make sure the doors are even at the top and that the space between the bottom of the refrigerator doors and the top of the freezer drawer is even. If necessary, align the doors. T

**o Align the Doors:**

- Keeping both refrigerator doors closed, pull out the freezer drawer. Locate the bottom hinge pin of the right-hand refrigerator door. The alignment screw is inside the bottom hinge pin.
- Insert the short end of the 1/8" hex- key wrench (packed with the Door Handle Installation Instructions) into the bottom hinge pin until it is fully engaged in the alignment screw. To raise the refrigerator door, turn the hex key to the right. To lower the door, turn the hex key to the left.
- Continue to turn the alignment screw until the doors are aligned.





A. Bottom hinge pin  
B. 1/8" Hex-key wrench

6. Make sure the refrigerator is steady. If the refrigerator seems unsteady or rolls forward when the door or drawer is pulled open, adjust the brake feet.

**To Steady the Refrigerator:**

- Open the freezer drawer. Using a 1/4" hex driver, turn both brake feet clockwise the same amount until the brake feet are snug against the floor. Check again. If not satisfied, continue to adjust the brake feet by half turns of the screw until the refrigerator does not roll forward when the drawer is opened.
- **NOTE:** Having someone push against the top of the refrigerator takes some weight off the brake feet. This makes it easier to turn the screws.

7. Replace the base grille by aligning the ends of the grille with the leveling assemblies on each side and snapping the grille into place.

## REFRIGERATOR USE

### Opening and Closing Doors

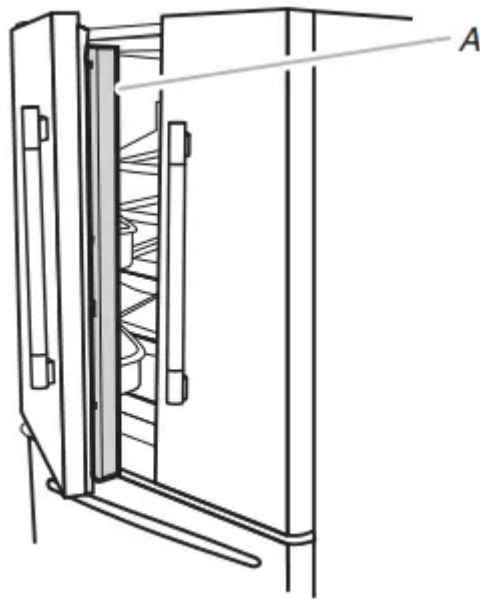
There are two refrigerator compartment doors. The doors can be opened and closed either separately or together.

There is a vertically-hinged seal on the left refrigerator door.

- When the left side door is opened, the hinged seal automatically folds inward so that it is out of the way.



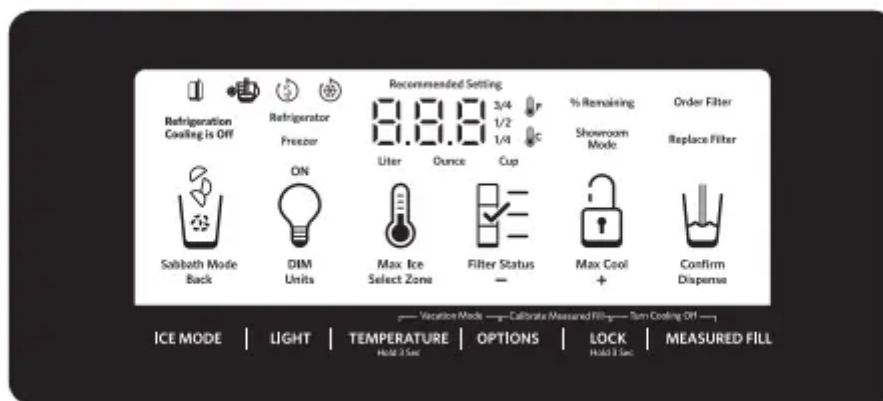
- When both doors are closed, the hinged seal automatically forms a seal between the two doors.



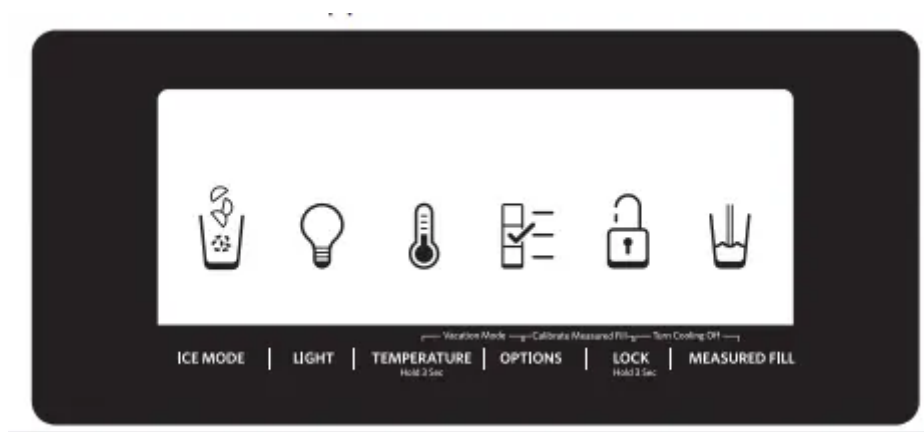
A. Hinged seal

## Using the Controls

The controls are located above the external dispenser.



**IMPORTANT:** The display screen on the dispenser control panel will turn off automatically and enter Sleep mode when the control buttons and dispenser paddles have not been used for 2 minutes or more. Press any control button to reactivate the display screen. The home screen will appear as shown.



## Viewing and Adjusting Temperature Set Points F

For your convenience, your refrigerator and freezer temperature controls are set to the recommended set points at the factory. When you first install your refrigerator, make sure the temperature controls are still set to the recommended set points. The recommended set points are 37°F (3°C) for the refrigerator and 0°F (-18°C) for the freezer.

### IMPORTANT:

- Wait 24 hours before you put food into the refrigerator. If you add food before the refrigerator has cooled completely, your food may spoil.

**NOTE:** Adjusting the set points to a colder than recommended setting will not cool the compartments any faster.

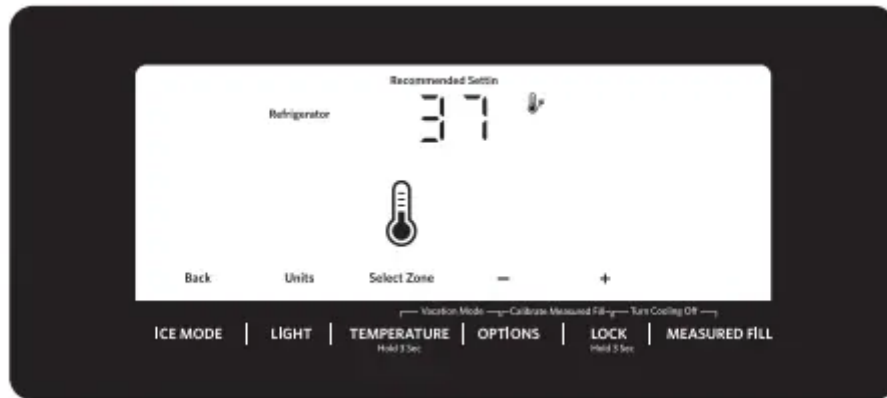
- If the temperature is too warm or too cold in the refrigerator or freezer, first check the air vents to be sure they are not blocked before adjusting the controls.
- The recommended set points should be correct for normal household use. The controls are set correctly when milk or juice is as cold as you like and when ice cream is firm.
  - **NOTE:** Areas such as a garage or porch may experience hotter or colder temperatures and higher humidity than inside the home. You may need to adjust the temperature away from the recommended set points to accommodate for these conditions.
- Wait at least 24 hours between adjustments. Recheck the temperatures before other adjustments are made.

### View Temperature Set Points

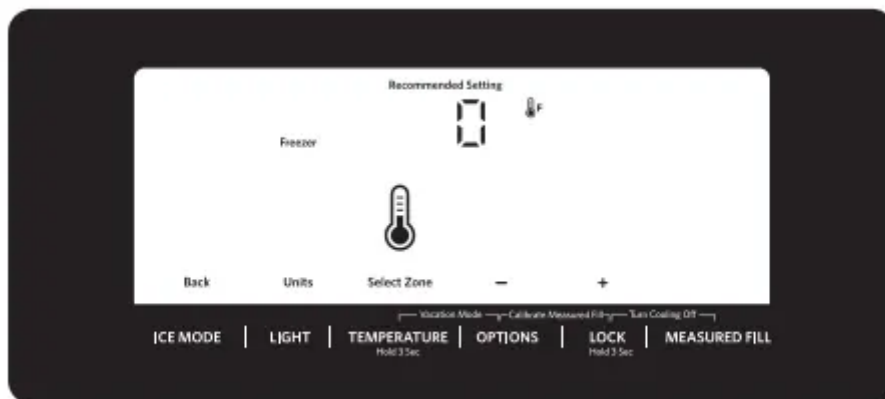
1. Press and hold TEMPERATURE for 3 seconds to activate Temperature mode.
2. When Temperature mode is activated, press TEMPERATURE to toggle between the Refrigerator zone and the Freezer zone. The display will show the temperature set point of the selected compartment, as shown.

**NOTE:** When Temperature mode is activated, to view temperatures in degrees Celsius, press the LIGHT button, under Units. To return the display setting to Fahrenheit, press the LIGHT button again.

### Recommended Refrigerator Temperature



### Recommended Freezer Temperature



### Adjust Temperature Set Points

Refrigerator set point range: 33°F to 45°F (0°C to 7°C).

Freezer set point range: -5°F to 5°F (-21°C to -15°C).

1. Press and hold TEMPERATURE for 3 seconds to activate Temperature mode.
2. When Temperature mode is activated, press TEMPERATURE to select the Refrigerator zone. The display will show the temperature set point of the selected compartment as shown.
3. Press LOCK, under plus, to raise the set point, or press OPTIONS, under minus, to lower the set point.
4. When you have finished adjusting the refrigerator set point, press TEMPERATURE to change the display to show the freezer set point. When the zone has been changed, "FREEZER" appears on the display screen.

5. Press LOCK, under the plus button, to raise the set point, or press OPTIONS, under the minus button, to lower the set point.

### Save/Confirm Temperature Settings

- When you have finished adjusting both the refrigerator and freezer set points, press MEASURED FILL “Confirm” to save the settings.

**NOTE:** To exit Temperature mode without saving changes, press the ICE MODE button under Back at any time, or allow about seconds of inactivity. The temperature mode will turn off automatically and return to the normal screen.

**When adjusting temperature set points, use the following chart as a guide:**

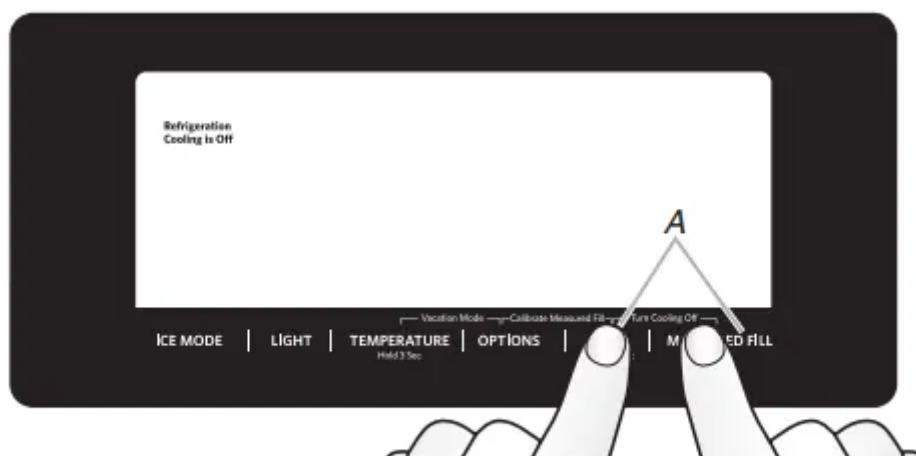
CONDITION:	TEMPERATURE ADJUSTMENT:
REFRIGERATOR too cold	REFRIGERATOR Setting 1° higher
REFRIGERATOR too warm	REFRIGERATOR Setting 1° lower
FREEZER too cold	FREEZER Setting 1° higher
FREEZER too warm / Too little ice	FREEZER Setting 1° lower

### Cooling On/Off

Your refrigerator and freezer will not cool when cooling is turned off.

- To turn cooling off, press and hold the LOCK and MEASURED FILL buttons at the same time for 3 seconds. When cooling is off, “Refrigeration Cooling is Off” will appear on the display screen as shown. **IMPORTANT:** To avoid unintentionally locking the dispenser or changing other settings, be sure to press both buttons at exactly the same time.





A. Press LOCK and MEASURED FILL at the same time.

- To turn cooling back on, press and hold LOCK and MEASURED FILL for 3 seconds again. COOLING IS OFF will disappear from the display screen.

### Options

Press the OPTIONS button to open the Options menu and select between Max Cool, Max Ice and Water Filter Status.

Press the ICE MODE button at any time to return to the normal screen.

### Max Cool

The Max Cool feature assists with periods of high refrigerator use, full grocery loads, or temporarily warm room temperatures.

- To turn on the Max Cool feature, press the OPTIONS button to enter Options mode, then press the LOCK button, under Max Cool, to activate the feature. When the feature is on, the Max Cool icon will appear on the dispenser display screen. The Max Cool feature will



remain on for 24 hours unless manually turned off.

- To manually turn off the Max Cool feature, press the OPTIONS button to enter Options mode (unless you are already in Options mode), then press LOCK again. When the feature has been turned off, the Max Cool icon will disappear from the dispenser display.

**NOTE:** Setting the freezer to a colder temperature may make some foods, such as ice cream, harder.

### Max Ice

The Max Ice feature assists with temporary periods of heavy ice use by increasing ice production.

- To turn on the Max Ice feature, press the OPTIONS button to enter Options mode, then press the TEMPERATURE button, under Max Ice, to activate the feature. When the

feature is on, the Max Ice icon will appear on the dispenser display screen. The Max Ice



feature will remain on for 24 hours unless manually turned off.

- To manually turn off the Max Ice feature, press the OPTIONS button to enter Options mode (unless you are already in Options mode), then press TEMPERATURE again. When the feature has been turned off, the Max Ice icon will disappear from the dispenser display.

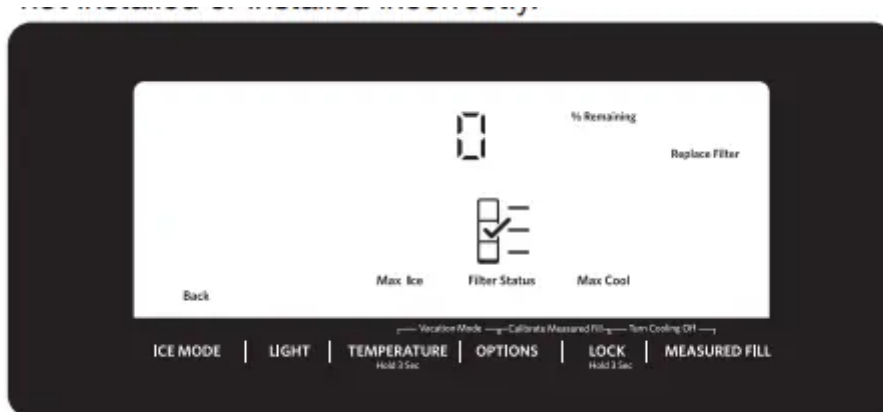
### Water Filter Status

Press FILTER STATUS to display the percentage of use remaining in the water filter (from 100% to 0%).

### ALSO

The water filter status lights will let you know when to change your water filter.

- ORDER FILTER (Yellow) - Order a replacement water filter.
- REPLACE FILTER (Red) - Replace the water filter. Replacing the disposable water filter will automatically reset the water filter status tracking feature. See “Water Filtration System.”
- **NOTE:** REPLACE FILTER will remain illuminated if a filter is not installed or installed incorrectly



### Door Ajar Alarm

The Door Ajar Alarm feature sounds an alarm when the refrigerator door(s) or freezer drawer is open for 5 minutes and cooling is turned on. The alarm will repeat every 2 minutes. Close all doors and drawer to turn it off. The feature then resets and will reactivate when either door is left open again for 5 minutes.

**NOTE:** To mute the audible alarm while keeping the doors open, such as while cleaning the inside of the refrigerator, press any button on the control panel. The alarm sound will be temporarily turned off, but the Door Ajar icon will still be displayed on the dispenser control panel.



## Water and Ice Dispensers

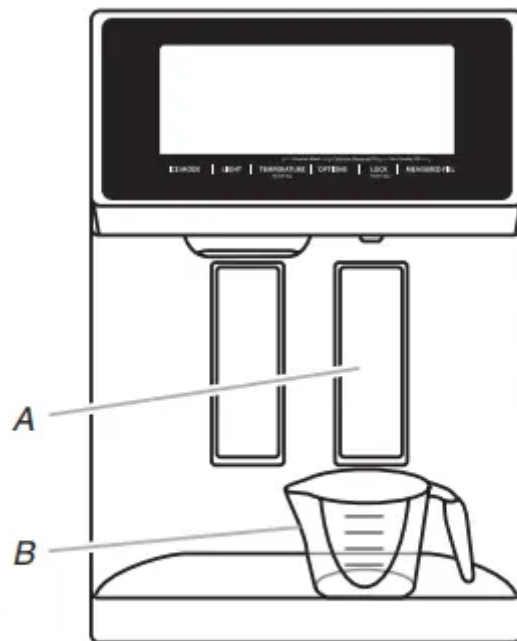
### Calibrate Measured Fill

Household water pressure may affect the accuracy of the Measured Fill feature. So, for optimum performance of your water dispenser, you must first calibrate Measured Fill.

**IMPORTANT:** Flush the water system before calibrating Measured Fill.

1. Place a sturdy measuring cup (1 cup [237 mL] size) on the dispenser tray centered in front of the water dispenser paddle.

**NOTE:** Depending on your model, a measuring cup may be provided.

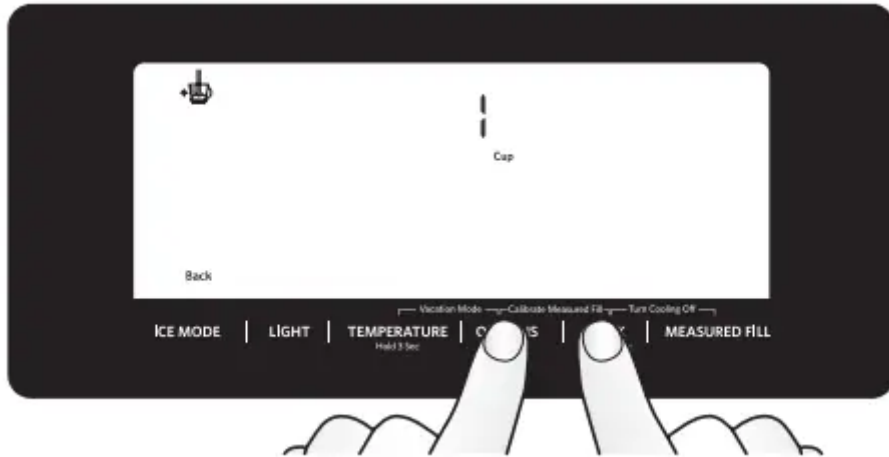


*A. Water dispenser paddle  
B. Measuring cup (1 cup)*

2. Press and hold the OPTIONS and LOCK buttons at the same time for 3 seconds. The words “Back” and “1 Cup” will appear on the display screen. Also, the Calibrate Measured Fill icon will illuminate and remain lit while the Measured Fill feature is being calibrated.

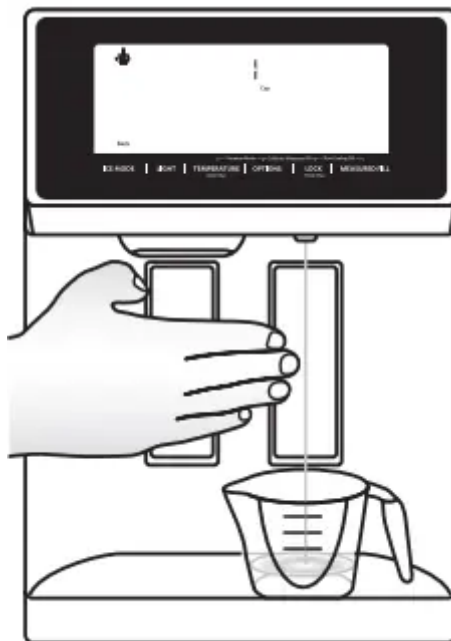


NOTE: You may press ICE MODE “Back” at any time to exit calibration mode. The Calibrate Measured Fill icon will turn off.

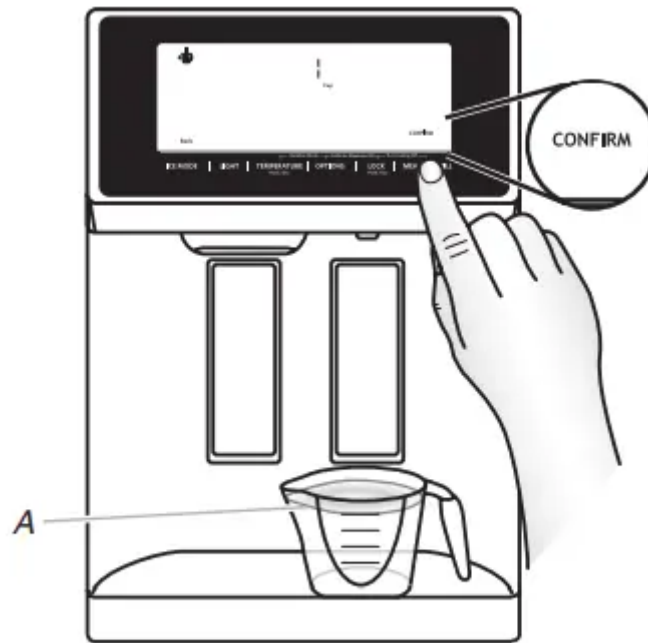


3. Press and release the water dispenser paddle, as needed, to dispense water to the 1 cup fill line.

**NOTE:** If overflowing or spilling occurs, discard the water and press ICE MODE “Back” to restart the calibration process.



4. When 1 cup of water has been correctly dispensed into the measuring cup, press the MEASURED FILL button under the word “Confirm” to confirm the calibration.



A. 1 cup of water

5. When Measured Fill calibration has been confirmed the icons will disappear and the display will return to the home screen.

**To Clean the Ice Dispenser Chute:**

Humidity causes ice to naturally clump together. Ice particles can build up until the ice dispenser chute becomes blocked.

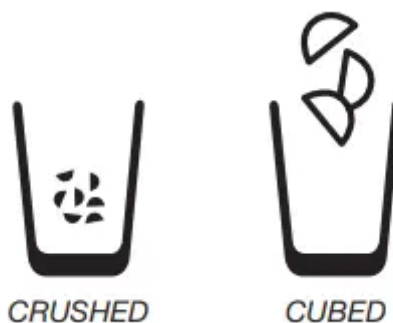
If ice is not dispensed regularly, it may be necessary to empty the ice storage bin and clean the ice delivery chute, the ice storage bin and the area beneath the storage bin every 2 weeks.

- If necessary, remove the ice clogging the storage bin and delivery chute, using a plastic utensil.
- Clean the ice delivery chute and the bottom of the ice storage bin using a warm, damp cloth and dry thoroughly

**To Dispense Ice:**

**IMPORTANT:** You do not need to apply a lot of pressure to the paddle to activate the ice dispenser. Pressing hard will not make the ice dispense faster or in greater quantities.

1. Press ICE MODE to select cubed ice (default) or crushed ice. The display screen indicates



which type of ice is selected.

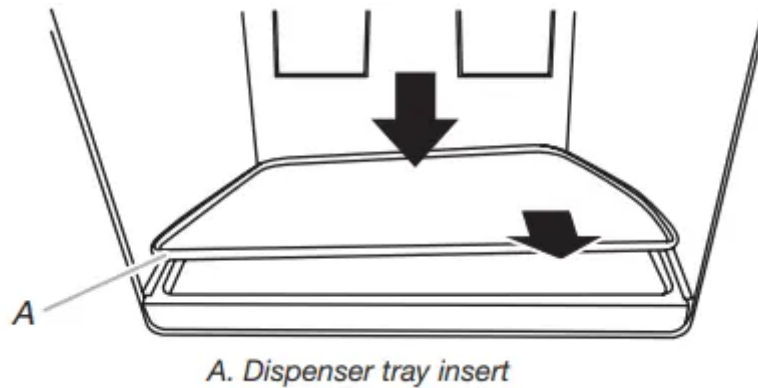


2. Press a sturdy glass against the dispenser paddle. Remove the glass to stop dispensing. Hold the glass close to the dispenser opening so ice does not fall outside of the glass. **NOTE:** When changing from crushed to cubed, a few ounces of crushed ice will be dispensed along with the first cubes

### The Dispenser Drip Tray

There is an insert in the dispenser drip tray. The insert can be removed from the drip tray to carry to the sink to empty or clean.

- Push down on the rear edge of the insert to tilt the front edge for easy removal.



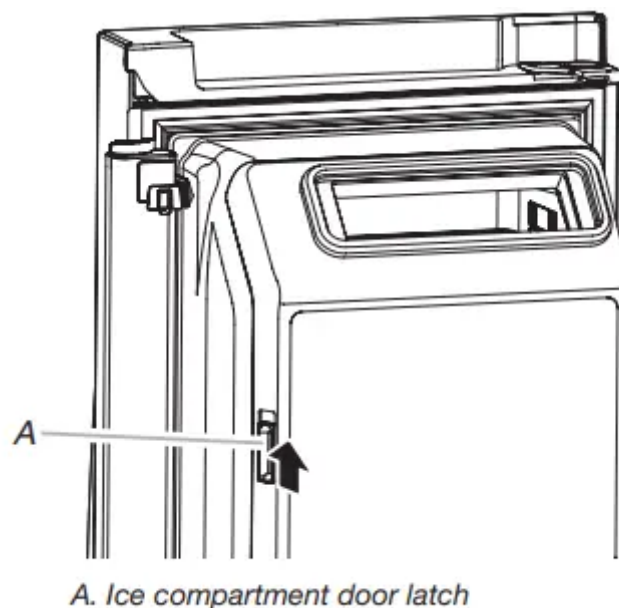
### Ice Maker and Ice Storage Bin (on some models)

#### Ice Maker in the Refrigerator (on some models)

The ice maker is located on the left-hand side of the refrigerator compartment ceiling. Ice cubes are ejected into the ice storage bin, located on the left-hand refrigerator door.

#### Turn the Ice Maker On/Off

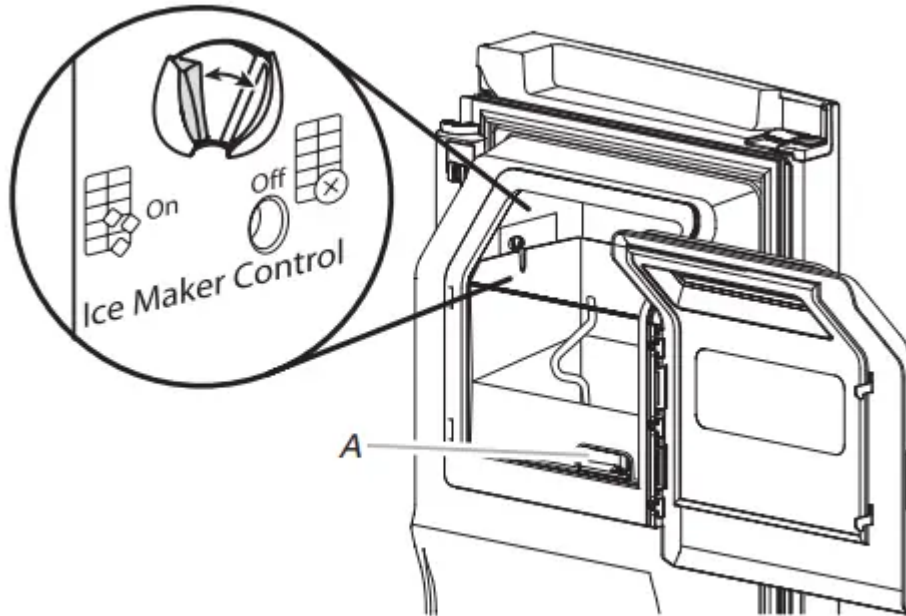
1. Push up on the latch on the left-hand side of the ice compartment to open the door.



2. Turn on the ice maker by moving the switch to the (left) ON position.

**NOTES:**

- To manually turn off the ice maker, move the control to the OFF (right) position.
- Your ice maker has an automatic shutoff. The sensor will automatically stop ice production if the storage bin is full, if the door is open or the storage bin is removed. The control will remain in the ON (left) position.



*A. Ice storage bin release latch*

3. Close the ice compartment door

**Remove and Replace the Ice Storage Bin**

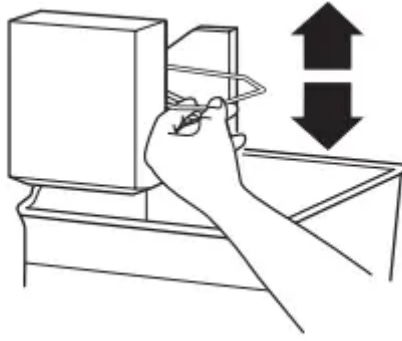
- Remove the ice storage bin by inserting your fingers into the hole at the base of the bin and squeezing the latch to release the bin from the compartment. Lift the storage bin up and pull it straight out.
- Replace the storage bin inside the ice compartment and push down to make sure it is firmly in place.

**Ice Maker in the Freezer (on some models)**

**Turn the Ice Maker On/Off**

To turn the ice maker ON, simply lower the wire shutoff arm. To manually turn the ice maker OFF, lift the wire shutoff arm to the OFF (arm up) position and listen for the click. NOTE: Your ice maker has an automatic shutoff. As ice is made, the ice cubes will fill the ice storage bin and the ice cubes will raise the wire shutoff arm to the OFF (arm up) position. Do not force the wire shutoff arm up or down.





**NOTE:** Turn off the ice maker before removing the ice storage bin to serve ice or to clean the bin. This will keep the ice cubes from dropping out of the ice maker and into the freezer compartment. After replacing the ice storage bin, turn on the ice maker.

## REFRIGERATOR CARE

### Cleaning

Both the refrigerator and freezer sections defrost automatically. However, clean both sections about once a month to avoid buildup of odors. Wipe up spills immediately

#### Interior Cleaning

1. Unplug refrigerator or disconnect power.
2. Hand wash, rinse, and dry removable parts and interior surfaces thoroughly. Use a clean sponge or soft cloth and a mild detergent in warm water. **NOTE:** Do not use abrasive or harsh cleaners such as window prays, scouring cleansers, flammable fluids, cleaning waxes, concentrated detergents, bleaches or cleansers containing petroleum products on plastic parts, interior and door liners or gaskets.
3. Plug in refrigerator or reconnect power

#### Condenser Cleaning

There is no need for routine condenser cleaning in normal home operating environments. If the environment is particularly greasy or dusty or there is significant pet traffic in the home, the condenser should be cleaned every 2 to 3 months to ensure maximum efficiency.

#### **If you need to clean the condenser:**

1. Unplug refrigerator or disconnect power.
2. Remove the base grille.
3. Use a vacuum cleaner with a soft brush to clean the grille, the open areas behind the grille and the front surface area of the condenser.
4. Replace the base grille when finished.
5. Plug in refrigerator or reconnect power.

## Lights

The lights in both the refrigerator and freezer compartments are LEDs which do not need to be replaced. If the lights do not illuminate when the door or drawer is opened, call for assistance or service.

## Vacation and Moving Care

### Vacations

If You Choose to Leave the Refrigerator On While You're Away:

1. Use up any perishables and freeze other items.
2. If your refrigerator has an automatic ice maker, and is connected to the household water supply, turn off the water supply to the refrigerator. Property damage can occur if the water supply is not turned off.
3. If you have an automatic ice maker, turn off the ice maker. NOTE: Depending on your model, raise the wire shutoff arm to OFF (up) position, or press the switch to OFF.
4. Empty the ice bin.

**If You Choose to Turn Off the Refrigerator Before You Leave:**

1. Remove all food from the refrigerator.
2. If your refrigerator has an automatic ice maker:
  - Turn off the water supply to the ice maker at least one day ahead of time.
  - When the last load of ice drops, raise the wire shutoff arm to the OFF (up) position or press the switch to OFF, depending on your model.
3. Turn off the Temperature control(s). See "Using the Controls."
4. Clean refrigerator, wipe it, and dry well. 5. Tape rubber or wood blocks to the tops of both doors to prop them open far enough for air to get in. This stops odor and mold from building up.

### Moving

When you are moving your refrigerator to a new home, follow these steps to prepare it for the move.

1. If your refrigerator has an automatic ice maker:
  - Turn off the water supply to the ice maker at least one day ahead of time.
  - Disconnect the water line from the back of the refrigerator.
  - When the last load of ice drops, raise the wire shutoff arm to the OFF (up) position or press the switch to OFF, depending on your model.
2. Remove all food from the refrigerator and pack all frozen food in dry ice.

3. Empty the ice bin.
4. Turn off the Temperature control(s). See “Using the Controls.”
5. Unplug refrigerator.
6. Clean, wipe, and dry thoroughly.
7. Take out all removable parts, wrap them well, and tape them together so they don't shift and rattle during the move.
8. Depending on the model, raise the front of the refrigerator so it rolls more easily or raise the leveling screws so they don't scrape the floor. See “Adjust the Doors or “Door Closing and Door Alignment.”
9. Tape the doors closed and tape the power cord to the back of the refrigerator.

When you get to your new home, put everything back and refer to the “Installation Instructions” section for preparation instructions. Also, if your refrigerator has an automatic ice maker, remember to reconnect the water supply to the refrigerator.

## TROUBLESHOOTING

### Operation

#### The refrigerator will not operate

- Check electrical supply
  - Plug the power cord into a grounded 3 prong outlet.
  - Do not use an extension cord.
  - Make sure there is power to the outlet. Plug in a lamp to see if the outlet is working.
  - Reset a tripped circuit breaker. Replace any blown fuses.
  - **NOTE:** If problems continue, contact an electrician.
- Check controls
  - Make sure the controls are turned on. See “Using the Controls.”
- New installation
  - Allow 24 hours following installation for the refrigerator to cool completely.
  - **NOTE:** Adjusting the temperature controls to the coldest setting will not cool either compartment more quickly.

- Refrigerator control is in Showroom mode (on some models)
  - If the refrigerator is in Showroom mode, cooling is turned off and "Showroom" will be illuminated on the control panel. See "Using the Controls" for more information.

### **The motor seems to run too much**

- High efficiency compressor and fans
  - Larger, more efficient refrigerators run longer at lower, more energy efficient speeds.
- The room or outdoor temperature is hot.
  - It is normal for the refrigerator to work longer under these conditions. For optimum performance, place the refrigerator in an indoor, temperature controlled environment. See "Location Requirements."
- A large amount of warm food has been recently added.
  - Warm food will cause the refrigerator to run longer until the air cools to the desired temperature.
- The door(s) are opened too frequently or for too long.
  - Warm air entering the refrigerator causes it to run more. Open the door less often.
- The refrigerator door or freezer drawer is ajar.
  - Make sure the refrigerator is level. See "Door Closing and "Door Alignment." Keep food and containers from blocking the door.
- The refrigerator control is set too cold.
  - Adjust the refrigerator control to a less cold setting until the refrigerator temperature is as desired.
- The door or drawer gasket is dirty, worn, or cracked.
  - Clean or change the gasket. Leaks in the door seal will cause the refrigerator to run longer in order to maintain desired temperatures.

### **The lights do not work**

- Your refrigerator is equipped with LED lighting which does not need to be replaced.
  - If there is power to the refrigerator and the lights do not illuminate when a door or drawer is opened, call for service or assistance.

- The dispenser light is set to OFF
  - On some models, the dispenser light will operate only when a dispenser paddle is pressed. If you want the dispenser light to stay on continuously, see “Water and Ice Dispensers.”
- Doors have been open longer than 10 minutes
  - Close the doors and drawer to reset, and open to resume lighted task.

**Shelves with under-shelf LEDs do not light up (on some models)**

- Shelf hooks are not fully engaged in shelf supports.
  - Check that the rear shelf hooks are completely seated into the slots in the shelf supports.
- Shelf supports, fastened to the back wall of the refrigerator cabinet, are loose
  - Check all shelf support screws to ensure they are fully tightened. Tighten all loose screws.
- Doors have been open longer than 10 minutes.
  - Close the doors and drawer to reset, and open to resume lighted task.

**Pantry Temperature Control not lit/ unresponsive**

- The refrigerator is in Cooling Off mode
- Exit Cooling Off mode. See “Using the Control(s).”
- The refrigerator 's control initialization process did not complete successfully.
  - Unplug the refrigerator, wait 5 seconds. Plug in the refrigerator, and wait 30 seconds before opening any of the refrigerator doors or touching the control panel.

**Noise**

To listen to normal refrigerator sounds, go to the Product Help/FAQ section of the brand website and search for “normal sounds.” Below are listed some normal sounds with explanations.

**The refrigerator seems noisy**

- The compressor in your new refrigerator regulates temperature more efficiently while using less energy, and operates quietly.
  - Due to this reduction in operating noise you may notice unfamiliar noises that are normal.



## **Sound of the compressor running longer than expected**

- High-efficiency compressor and fans
  - Larger, more efficient refrigerators run longer at lower, more energy efficient speeds.

## **Pulsating/Whirring**

- Fans/compressor adjusting to optimize performance during normal compressor operation
  - This is normal.

## **Popping**

- Contraction/expansion of inside walls, especially during initial cool-down
  - This is normal.

## **Hissing/Dripping**

- Flow of refrigerant, or flow of oil in the compressor
  - This is normal.

## **Vibration**

- The refrigerator may not be steady
  - Adjust the leveling screws and lower the leveling foot firmly against the floor. See “Door Closing and Door Alignment.”

## **Rattling/Banging**

- Movement of the water lines against the refrigerator cabinet, or of items placed on top of the refrigerator cabinet
  - Move excess water line away from the refrigerator cabinet or fasten excess tubing to the cabinet. See “Connecting the Water,” or remove items from the top of the refrigerator.

## **Sizzling**

- Water dripping on the heater during defrost cycle
  - This is normal.

## **Water running/Gurgling**

- May be heard when ice melts during the defrost cycle and water runs into the drain pan
  - This is normal.

## **Buzzing and Clicking**

- Heard when the water valve opens and closes to dispense water and/or fill the ice maker.
  - If the refrigerator is connected to a water line, this is normal.
  - If the refrigerator is not connected to a water line, turn off the ice maker.

## **Repetitive Clicking**

- Dual evaporator valve regulating the cooling operation
  - You may hear rapid repetitive clicking sounds as the unit switches from cooling one compartment to cooling the other. This sound is normal.

## **Creaking/Cracking/Grinding**

- May be heard as ice is being ejected from the ice maker mold
  - This is normal.

## **Clatter**

- May be heard when the ice falls into the ice storage bin
  - This is normal.

## **Temperature and Moisture**

### **Temperature is too warm**

- The refrigerator has just been installed.
  - Allow 24 hours following installation for the refrigerator to cool completely.
- Cooling is turned off.
  - Turn on cooling. See “Using the Controls.”
- The controls are not set correctly for the surrounding conditions.
  - Adjust the controls a setting colder. Check the temperature in 24 hours. See “Using the Controls.”
- The door(s) are opened often or not closed completely.
  - Allows warm air to enter refrigerator. Minimize door openings and keep doors fully closed.
- A large load of food was recently added.
  - Allow several hours for refrigerator to return to normal temperature.

### **Temperature is too cold in the refrigerator/crisper**

- The refrigerator air vent(s) are blocked.
  - If the air vent located in the top, left, rear corner of the refrigerator compartment is blocked by items placed directly in front of it, the refrigerator will get too cold. Move items away from the air vent.
- The controls are not set correctly for the surrounding conditions.
  - Adjust the controls a setting warmer. Check the temperature in 24 hours. See “Using the Controls.”
- The ice storage bin is not in the correct position.
  - See “Ice Maker and Ice Storage Bin.”

### **Temperature is too cold in the pantry drawers**

- The control is not set correctly for the items stored in drawer.
  - Adjust the temperature setting. See “Temperature Controlled Drawer” in the “Refrigerator Features” section.

### **There is interior moisture buildup**

**NOTE:** Some moisture buildup is normal.

- The room is humid
  - A humid environment contributes to moisture buildup.
- The door(s) are opened often or not closed completely.
  - Allows humid air to enter the refrigerator. Minimize door openings and close doors completely.
- The door is blocked open
  - Move food packages away from door.
- A bin or shelf is in the way
  - Push bin or shelf back into the correct position.
- Storing liquid in open containers
  - This adds humidity to the refrigerator interior. Keep all containers tightly covered.

### **There is frost/ice buildup in the freezer compartment**

- The drawer is opened often or left open.
  - Minimize drawer openings and close drawer completely after use.

- Poor door seal
  - Ensure door seals are making full contact with the refrigerator cabinet to allow for an adequate seal.
- Temperature controls are not set correctly
  - See “Using the Controls” for recommended temperature settings.

### **The ice maker is not producing ice or is not producing enough ice**

- The refrigerator is not connected to a water supply or the water supply shutoff valve is not turned on.
  - Connect refrigerator to water supply and turn water shutoff valve fully open.
- There is a kink in the water source line.
  - A kink in the line can reduce water flow. Straighten the water source line.
- The ice maker is not turned on.
  - Make sure the ice maker is on. See “Ice Maker and Ice Storage Bin.”
- The refrigerator has just been installed.
  - Wait 24 hours after ice maker installation for ice production to begin. Wait 3 days for full ice production.
- The refrigerator door is not closed completely.
  - Close the door firmly. If it does not close completely, see “The doors will not close completely.”
- A large amount of ice was recently removed.
  - Allow sufficient time for ice maker to produce more ice. See “Ice Maker and Ice Storage Bin” for ice production rates.
- An ice cube is jammed in the ice maker ejector arm.
  - Remove ice from the ejector arm with a plastic utensil.
- A water filter is installed on the refrigerator.
  - Remove the water filter and operate the ice maker. If ice volume improves, then the filter may be clogged or incorrectly installed. Replace filter or reinstall it correctly.
- A reverse osmosis water filtration system is connected to your cold water supply.
  - This can decrease water pressure See “Water Supply Requirements.”

### **The ice cubes are hollow or small**

**NOTE:** This is an indication of low water pressure.

- The water shutoff valve is not fully open.
  - Turn the water shutoff valve fully open.
- There is a kink in the water source line.
  - A kink in the line can reduce water flow. Straighten the water source line.
- A water filter is installed on the refrigerator.
  - Remove filter and operate ice maker. If ice quality improves, then the filter may be clogged or incorrectly installed. Replace filter or reinstall it correctly.
- A reverse osmosis water filtration system is connected to your cold water supply.
  - This can decrease water pressure. See “Water Supply Requirements.”
- Questions remain regarding water pressure.
  - Call a licensed, qualified plumber

#### **Off-taste, odor or gray color in the ice or water**

- Newly installed refrigerator requires flush of water system.
  - Flush the water system. See “Water and Ice Dispensers” for water system flushing instructions.
- Recently installed or replaced plumbing connections. New plumbing connections can cause discolored or off-flavored ice and water.
  - Discard the ice and wash the ice storage bin. Flush the water system with 3 gal. (12 L) of water. Allow 24 hours for the ice maker to make new ice, and discard the first 3 batches of ice produced.
- Using a water supply connection type other than recommended.
  - It is recommended to use copper tubing or Whirlpool supply line, Part Number 8212547RP. See “Connect to Water Line.”
- The ice has been stored too long.
  - Discard ice. Wash ice storage bin. Allow 24 hours for ice maker to make new ice.
- The water has been stored too long.
  - Dispense at least 1 qt (1 L) of water per week to maintain a fresh supply.
- Odor from stored food has transferred to the ice.
  - Use airtight, moisture proof packaging to store food.

- There are minerals (such as sulfur) in the water.
  - A water filter may need to be installed to remove the minerals.
- There is a water filter installed on the refrigerator.
  - Gray or dark discoloration in ice may indicate that the water filtration system needs additional flushing. Flush the water system after installing and before using a new water filter. See “Water and Ice Dispensers” for water filter flushing instructions.
- The water filter needs to be replaced.
  - Replace the disposable water filter at least every 6 months or when indicated. See “Water Filtration System.”

### **The water and ice dispenser will not operate properly**

- The refrigerator is not connected to a water supply or the water supply shutoff valve is not turned on.
  - Connect the refrigerator to the water supply and turn the water shutoff valve fully open.
- There is a kink in the water source line
  - A kink in the water line can reduce water flow from the water dispenser and result in hollow or irregular shaped ice. Straighten the water source line.
- The refrigerator has just been installed.
  - Flush and fill the water system. See “Water and Ice Dispensers.”
- The water pressure to the house is not at or above 35 psi (241 kPa).
  - The water pressure to the house determines the flow from the dispenser. See “Water Supply Requirements.”
- A reverse osmosis water filtration system is connected to your cold water supply.
  - A reverse osmosis water filtration system can decrease water pressure. See “Water Supply Requirements.”
- The water filter may be clogged.
  - Remove the water filter and operate dispenser. If water flow increases, your filter is clogged and needs to be replaced. See
- Water Filtration System.”
- The water filter is installed incorrectly
  - Remove the water filter and reinstall. See “Water Filtration
- System.”

- The refrigerator door or freezer drawer is not closed completely.
  - Close the door or drawer firmly. If it does not close completely, see “The doors will not close completely.”
- The refrigerator doors were recently removed.
  - Make sure the water dispenser wire/tube assembly has been properly reconnected at the top of the refrigerator door. See "Refrigerator Doors and Drawer."
- Ice is clogged in the ice storage bin or ice is blocking the ice delivery chute.
  - Remove the ice clogging the storage bin and delivery chute, using a plastic utensil if necessary. Clean the ice delivery chute and the bottom of the ice storage bin using a warm, damp cloth, then dry both thoroughly. To avoid clogging and to maintain a fresh supply of ice, empty the storage bin and clean both the storage bin and delivery chute every 2 weeks.

#### **The ice dispenser jams while dispensing crushed ice**

- Crushed ice is blocking the ice delivery chute.
  - Switch from crushed ice to cubed ice to clear the ice dispenser. Then switch back to crushed ice

#### **Water is leaking or dripping from the dispenser system**

**NOTE:** A few drops of water after dispensing is normal.

- The glass was not held under the dispenser long enough.
  - Hold the glass under the dispenser 2 to 3 seconds after releasing the dispenser lever.

#### **Water continues to drip from the dispenser beyond the first few drops.**

- The refrigerator has just been installed.
  - Flushing the water system removes the air from the lines which causes the water dispenser to drip. Flush the water system. See “Water and Ice Dispensers.”
- The water filter was recently installed or replaced.
  - Flushing the water system removes the air from the lines which causes the water dispenser to drip. Flush the water system. See “Water and Ice Dispensers.”

#### **Water is leaking from the back of the refrigerator**

- The water line connections were not fully tightened.
  - See “Connecting the Water.”

- Recently removed the doors and did not fully tighten water line connection
  - See “Refrigerator Doors and Drawer.”

### **Water from the dispenser is warm**

- Water from the dispenser is chilled to 50°F (10°C).
  - This is normal.
- The refrigerator has just been installed.
  - Allow 24 hours after installation for the water supply to cool completely.
- A large amount of water was recently dispensed.
  - Allow 3 hours for the water supply to cool completely.
- Water has not been recently dispensed.
  - The first glass of water may not be cool. Discard the first glass of water dispensed.
- The refrigerator is not connected to a cold water pipe.
  - Make sure the refrigerator is connected to a cold water pipe. See “Water Supply Requirements.”

### **Doors**

To view an animation showing how to adjust and align the doors, refer to the Product Help/FAQ section of the brand website and search for “door closing and door alignment.”

### **The doors will not close completely**

- The door is blocked open.
  - Move food packages away from door.
- A bin or shelf is in the way.
  - Push bin or shelf back into the correct position.
- Recently installed
  - Remove all packaging materials.

### **The doors are difficult to open**

- The door gaskets are dirty or sticky.
  - Clean gaskets and contact surfaces with mild soap and warm water. Rinse and dry with soft cloth.

### **The doors appear to be uneven**

- The doors need to be aligned, or the refrigerator needs to be leveled.
  - See “Refrigerator Leveling, Door Closing and Alignment.”

### **The refrigerator is unsteady or it rolls forward when opening and closing doors**

- The refrigerator brake feet are not snug against the floor
  - Remove the base grille. Turn both brake feet (one on each side) clockwise, the same amount, until they are snug against the floor. See “Refrigerator Leveling, Door Closing and Alignment.”

#### **Warning**

This content is compiled from multiple sources and is provided for reference purposes only. It may not be complete or fully applicable to all situations. If you are unable to resolve your issue, please contact the product manufacturer or an authorized service provider for official support.