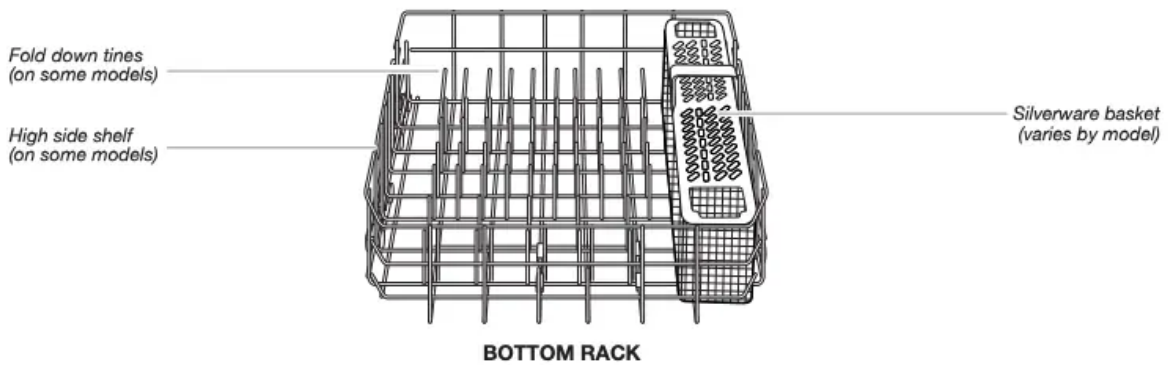
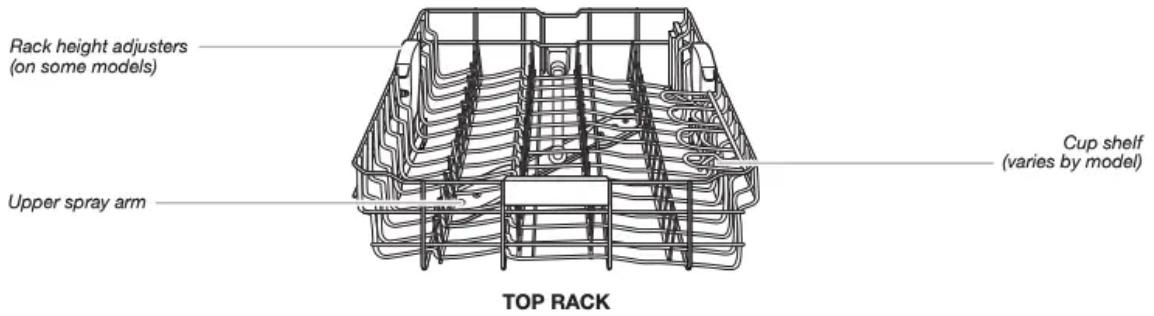
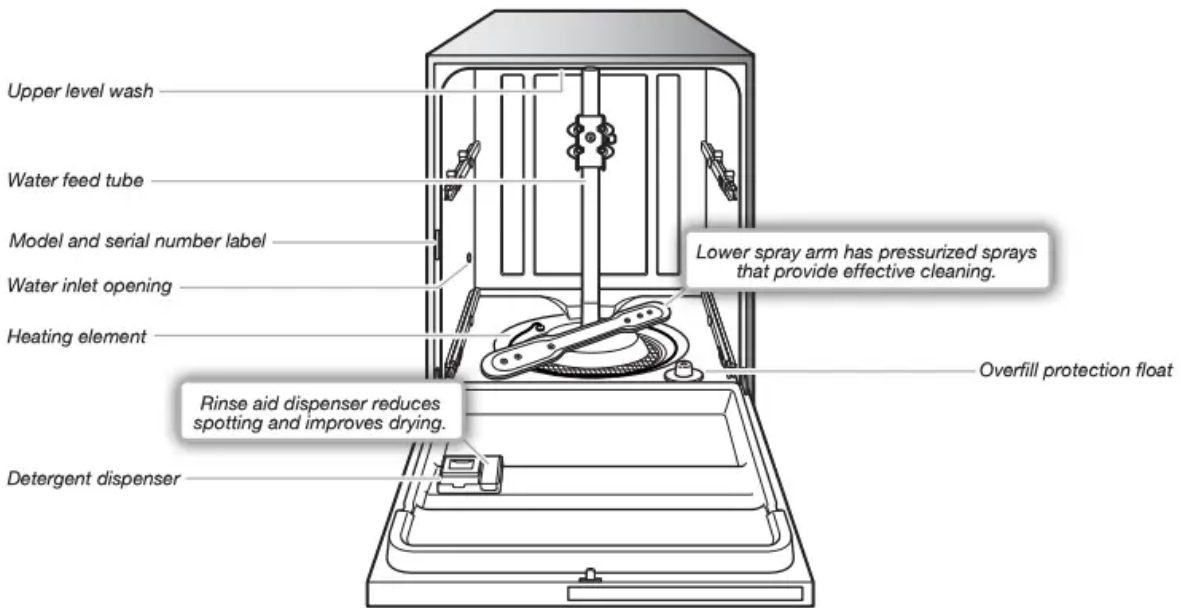


## Parts and Features



## Quick Steps

- 1 Prepare and load dishwasher.

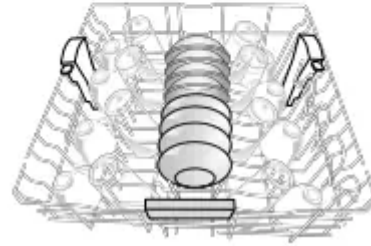




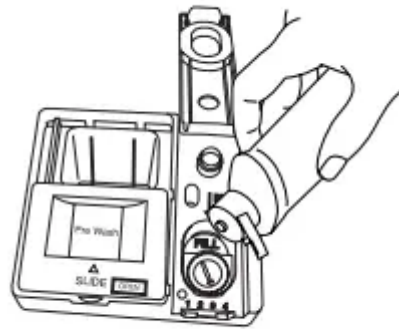
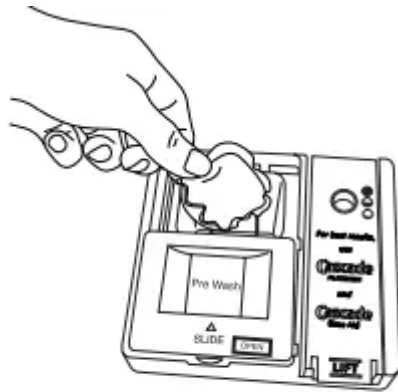
**Scrape off excess food into garbage or food disposer.**



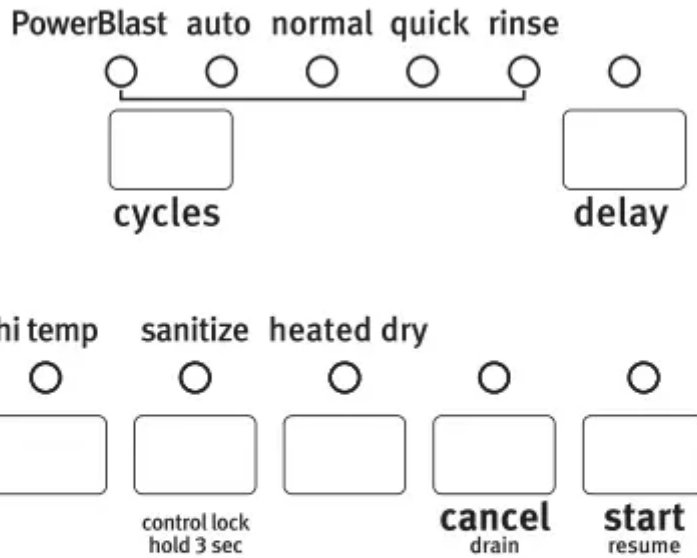
**Load dishes so that water spray will reach every surface.**



2 Add detergent and rinse aid.



3 Select a cycle and options.



The status display will glow for Wash (A), Dry (B), Lock (C), and Sanitized or Clean.

4 Start dishwasher.

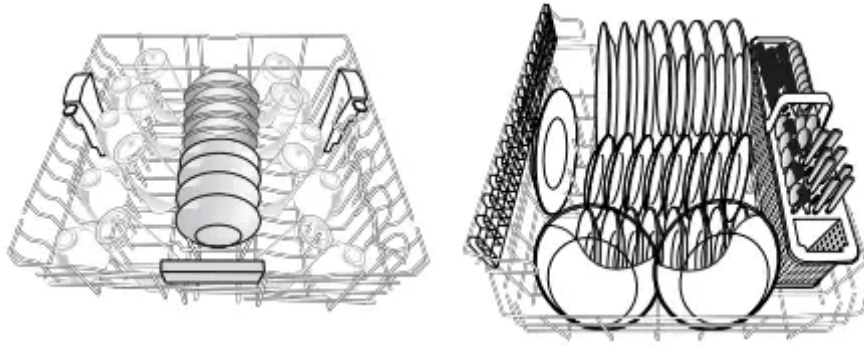


## Dishwasher Use

### STEP 1 Prepare and Load the Dishwasher

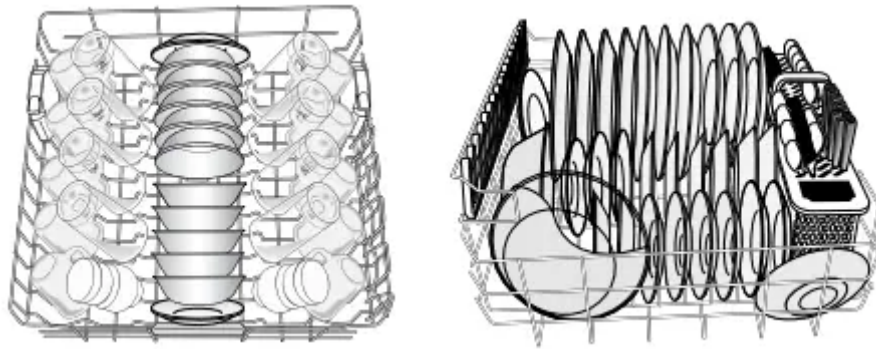
**IMPORTANT:** Remove leftover food, bones, toothpicks, and other hard items from the dishes. Remove labels from containers before washing.

**8-Place loading pattern (dishwasher rack features vary by model)**



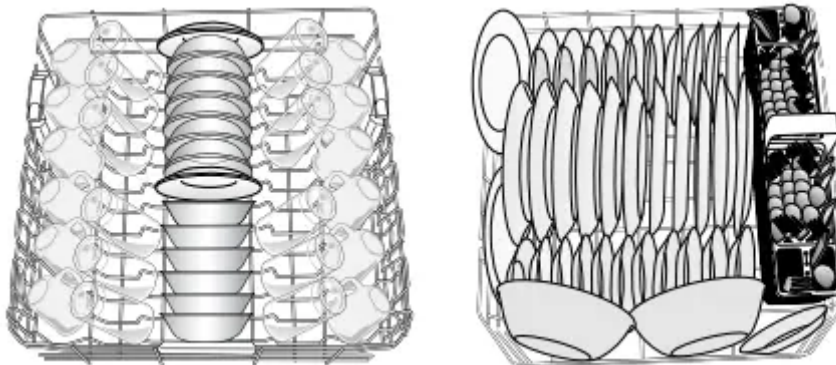
*Upper rack Lower rack*

**10-Place loading pattern (dishwasher rack features vary by model)**



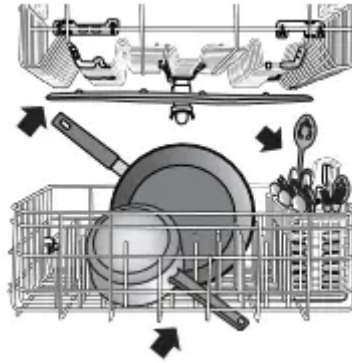
*Upper rack Lower rack*

**12-Place loading pattern (dishwasher rack features vary by model)**



*Upper rack Lower rack*

- Check that nothing blocks the upper or lower spray arm. Items in rack can block the spray arms.



- Check that when the dishwasher door is closed, no items are blocking the detergent dispenser.
- Tough soiled items should be loaded with soiled surfaces facing down and inward to the spray. This will improve cleaning and drying results.
- Avoid overlapping items like bowls or plates that may trap food.
- Place plastics, small plates, and glasses in the upper rack. Wash only plastic items marked “dishwasher safe.”
- To avoid thumping/clattering noises during operation, load dishes so they do not touch one another. Make sure lightweight load items are secured in the racks.
- When loading silverware, always place sharp items pointing down. Mix items in each section of the basket with some pointing up and some down to avoid nesting. Spray cannot reach nested items.
- Use slots in the covers and suggested loading patterns to keep your silverware separated for optimum wash.

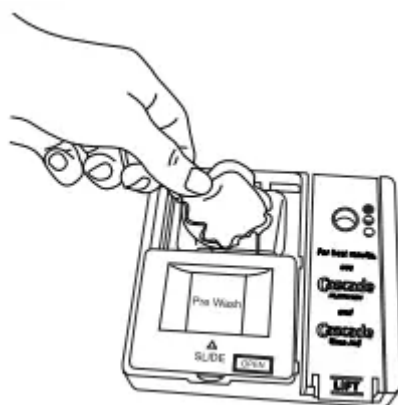


## STEP 2 Add Detergent

### Premeasured Detergents

High quality premeasured tablets and packs are recommended for improved performance.

Quality tablets and packs have been proven better than powder, liquid, or gel detergents at reducing filming on dishes. Using tablets and packs over time will start to reduce or eliminate white film. They are suitable for all hardness and soil levels. Also, by using a rinse aid, you can minimize repeat buildup of white film (not all packs and tablets contain rinse aid). Always place premeasured detergents in main compartment and slide lid closed.



**NOTE:** Follow instructions on the package when using other dishwasher detergent types. See the complete owners manual for more details about powders, liquids, and gels.

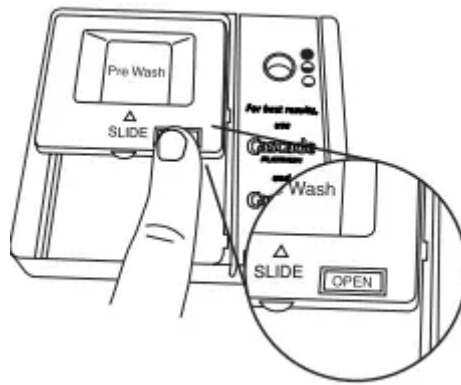
- Use automatic dishwasher detergent only. Add detergent just before starting a cycle.
- Fresh automatic dishwasher detergent results in better cleaning. Store tightly closed detergent container in a cool dry place.

#### To close lid



Place selected detergent in the dispenser. Place finger, as shown, and slide lid closed. Press firmly until it clicks.

#### To open lid



Push OPEN, as shown, and the lid will slide open.

### Powders and Gels

Water Hardness	Soil Level	Prewash Compartment*	Main Wash Compartment
<b>Soft</b> (0-4 grains per U.S. gallon)	Light	None	“Soft” fill line
	Normal	None	“Soft” fill line
	Heavy	Full	“Soft” fill line
<b>Medium</b> (5-9 grains per U.S. gallon)	Light	None	“Soft” fill line
	Normal	Full	Full**
	Heavy	Full	Full**
<b>Hard</b> (10-14 grains per U.S. gallon)	Light	Full	Full**
	Normal	Full	Full**
	Heavy	Full	Full**

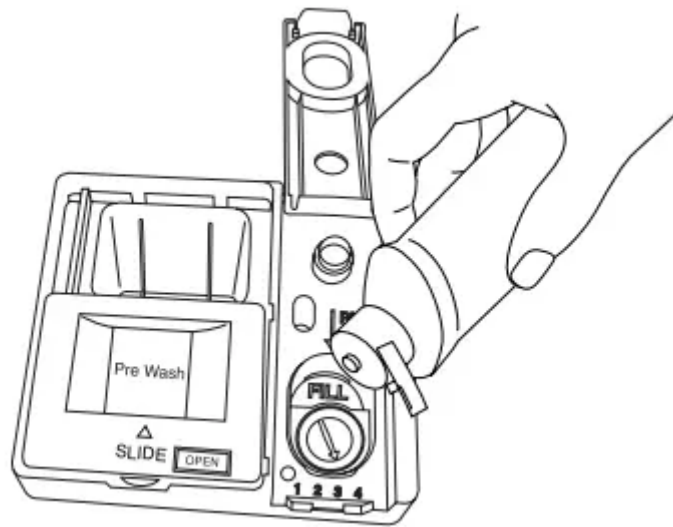
\*The prewash compartment is on top of the sliding door of the dispenser.

\*\*A full main wash compartment contains 2 Tbsp. (30 ml).

**IMPORTANT:** Extremely hard water mineral deposits (15 grains per U.S. gallon or more) can cause damage to your dishwasher and make it difficult to achieve good results. A water softener is recommended to avoid damage and achieve good results.

**NOTE:** Follow instructions on the package when using other dishwasher detergent types.

## STEP 3 Rinse Aid



**IMPORTANT:** Your dishwasher is designed to use rinse aid. The use of rinse aids greatly improves drying by allowing water to drain from the dishes after the final rinse. Rinse aid also keeps water from forming droplets that can dry as spots or streaks.

### Filling the dispenser

The dispenser holds 5 oz (150 mL) of rinse aid. Under most conditions this will last 1 to 3 months.



**NOTE:** Indicator reads correct fill level when door is completely opened.

- 1. To add rinse aid, open the rinse dispenser lid by gently pushing in the center of the lid with your thumb and pulling up on the edge.
- 2. Pour rinse aid into the opening until the dispenser is full. Do not overfill.
- 3. Clean up any spilled rinse aid. Spilled rinse aid can create excessive suds.
- 4. Then, close the dispenser by pushing down gently on the lid.



### Rinse Aid Setting

Your rinse aid dispenser is adjustable. For most water conditions, the factory setting will give good results. If you have hard water and notice calcium buildup on your dishware, you may want to try a higher setting. If you notice foam in your dishwasher, use a lower setting.

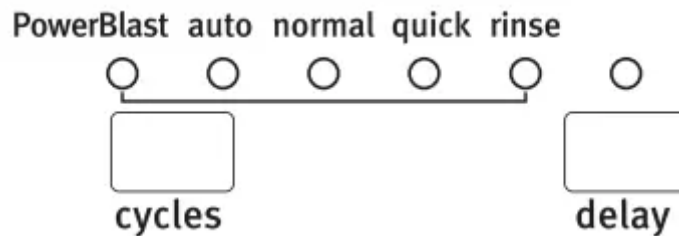
**To adjust the setting:**

Turn the arrow adjuster to a higher number to increase the amount of rinse aid.



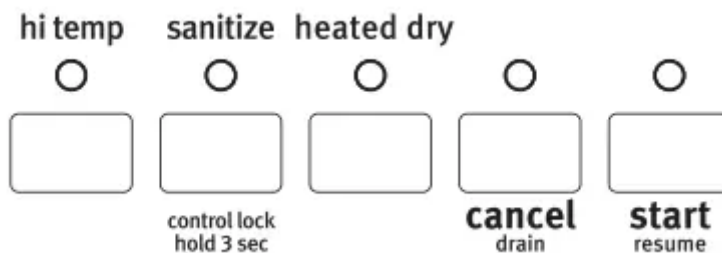
**STEP 4 Select a Cycle**

Efficient dishwashers run longer to save water and energy, just as driving a car slower saves gas. Cycle times may increase or decrease depending on selections. Estimated cycle times after calibration are listed in the “Cycle and Options Descriptions” chart in the following section. Select the desired cycle by pressing the Cycles button. Each time you press the Cycles button, it will advance to the next available cycle.



**Select Options**

See the “Cycle and Option Descriptions” charts in the following section. You can customize the cycles by pressing the options desired and pressing Start/Resume.

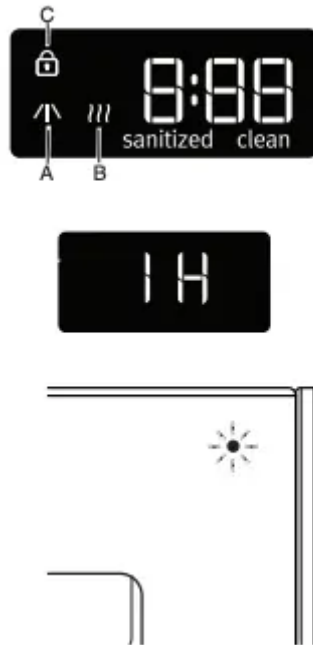


**NOTE:** To repeat the same cycle and options used previously, press START/RESUME twice.



## Follow the Progress of the Dishwasher

Progress can be followed on the status display and by an indicator light on the front panel. The status display will glow for Wash (A), Dry (B), Lock (C), Sanitized, or Clean. It will also show the estimated remaining time for the cycle in hours and minutes.



When delay is selected, the status display will show an “H” for hour and the number of hours to delay.

On models with top controls, an indicator light on the front of the door panel will glow green when a cycle is running and turns off when the cycle is complete.

## STEP 5 Start or Resume a Cycle

- Run hot water at the sink nearest your dishwasher until the water is hot. Turn off water.
- For best dishwashing results, water should be 120°F (49°C) as it enters the dishwasher.
- Press START/RESUME button. On top control models the door must be firmly closed within 4 seconds of pressing Start/Resume. If door is not closed within 4 seconds, the Start button light will flash, an audible tone will be heard, and the cycle will not start.



**IMPORTANT:** After a cycle is started (even if Delay Hours has been selected), if the door is open longer than 3 seconds, the LEDs will flash and an audible tone will sound to signal that you must press the Start/Resume button again to resume the cycle.

## Cycle and Option Descriptions




This information covers several different models. Your dishwasher may not have all of the cycles and options described

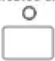
CYCLES		ESTIMATED WASH TIME* DISPLAYED	WATER USAGE GALLONS (LITERS)
PowerBlast® <input type="radio"/>	Targets toughest food soils. Use for hard-to-clean heavily soiled pots, pans, casseroles, and tableware.	3:28	9.0 (34.0)
auto <input type="radio"/>	Load and soil sensing cycle. This cycle is optimized to achieve improved cleaning with minimal water and energy for all soil levels.	2:03	4.5 (16.9)
normal <input type="radio"/>	This cycle with only the Heated Dry option selected, and without other options selected, is recommended to completely wash and dry a full load of normally soiled dishes. The energy usage label is based on this cycle and option combination.	1:51	3.8 (14.5)
quick <input type="radio"/>	For fast results, this cycle will clean light to medium soiled dishes, but use slightly more water and energy. For improved drying, select a heat dry option.	:59	5.5 (20.9)
rinse <input type="radio"/>	Use for rinsing dishes, glasses, and silverware that will not be washed right away. Do not use detergent. During cycle, the rinse action will repeatedly pause for several seconds.	:11	1.3 (4.9)

\*Cycle times may increase depending on water temperature, heavy soil condition, dish load size, and options selected. Adding options will add time to cycle. See options information.







OPTIONS	CAN BE SELECTED WITH	WHAT IT DOES	ADDED TIME TO CYCLE	ADDED WATER GALLONS (LITERS)
<input type="radio"/> delay	Available with any cycle	Delays start of a cycle up to 24 hours.	NA	NA
hi temp <input type="radio"/>	PowerBlast® Auto Normal	Raises main wash temperature from 105°F (41°C) to 129°F (54°C).	:04 to 1:16	0-1.2 (0-4.5)
sanitize <input type="radio"/> control lock hold 3 sec	PowerBlast® Auto Normal	Increases main wash temperature from 105°F (41°C) to 145°F (63°C) and final rinse from 140°F (60°C) to 156°F (69°C).	:04 to 1:15	0-3.0 (0-11.2)



At end of the cycle, the sanitized indicator or word "sanitized", on some models, will glow. If your load did not properly sanitize, the indicator will flash at the end of the cycle. This can happen if the cycle is interrupted, or if the water does not reach the required temperature. The light goes off when you open and close the door or press CANCEL.

OPTIONS	CAN BE SELECTED WITH	WHAT IT DOES	ADDED TIME TO CYCLE	ADDED WATER GALLONS (LITERS)
heated dry 	PowerBlast® Auto Normal Quick	Uses heating element and the fan (with some cycles) to speed drying times.	:12 to :46	0

### Dishwasher Feedback

CONTROL	PURPOSE	COMMENTS
	Press to start or resume a wash cycle.	If the door is opened during a cycle or power is interrupted, Start/Resume indicator light flashes. Cycle will not resume until door is closed and Start/Resume is pressed. <b>NOTE:</b> Push door firmly closed within 4 seconds of pressing Start/Resume. If door is not closed within 4 seconds, the Start/Resume button LED will flash, an audible tone will be heard, and cycle will not start.
	Press to cancel wash cycle.	Close door firmly. The dishwasher starts a 3-minute drain (if needed). Let dishwasher drain completely.
	Control Lock avoids unintended use of dishwasher between cycles or cycle and option changes during a cycle.	To turn on Lock, press and hold SANITIZE for 3 seconds. Control Lock LED will stay on, indicating that it is activated and all buttons are disabled. If you press any button while your dishwasher is locked, LED flashes 3 times. Dishwasher door can still be opened/closed while controls are locked. To turn off Lock, press and hold SANITIZE for 3 seconds. LED turns off.
		
	To follow the progress of the dishwasher cycle.	Progress will be displayed by a status display and by an indicator light on the front panel. The status display will glow for Wash (A), Dry (B), Sanitized, or Clean. It will also show the estimated remaining time for the cycle. Depending on the model, the front panel indicator will glow green when the dishwasher is running and will go off when the cycle is complete or the indicator light will glow blue for wash, red for dry, and green for cycle complete.
	On some models	Depending on the model, an indicator light on the front of the door panel will glow green when a cycle is running and turns off when the cycle is complete.

## Canceling a Cycle

1. Open the door slightly to stop the cycle. Wait for the spraying action to stop before completely opening the door.
2. Press and hold START/RESUME for 4 seconds. The Cancel/ Drain light will light up.
3. Close the door, and the dishwasher starts a drain cycle (if water remains in bottom of dishwasher). Let the dishwasher drain completely. The Cancel/Drain light turns off after minutes.

## Changing a Cycle After Dishwasher Is Started

You can interrupt a cycle and restart the dishwasher from the beginning using the following procedure.

1. Open the door slightly to stop the cycle. Wait for the spraying action to stop, then open the door completely.

2. Check that detergent dispenser cover is still closed. If cover is open, you will need to refill the detergent dispenser before restarting the new cycle.
3. Press CANCEL/DRAIN to reset the control.
4. Select new cycles and options.
5. Press START/RESUME.

### **Adding a Dish After Dishwasher is Started**

1. Open the door slightly to stop the cycle. Wait for the spraying action to stop, then open the door completely.
2. Check whether the detergent dispenser cover is still closed.
3. If it is open, the wash cycle has already started and adding a dish is not recommended. If detergent has not yet been used (detergent dispenser cover is closed), you may add a dish.
4. Press START/RESUME.

## **Dishwasher Features**

Your Maytag dishwasher may have some or all of these features.

### **Silverware basket**

Use suggested loading patterns, as shown, to better clean the silverware.



*10-place loading pattern*

Use the slots in the cover to keep the silverware separated for optimum wash.

If the silverware does not fit into the designated slots, slide the covers outward to remove them and mix silverware types to keep them separated.

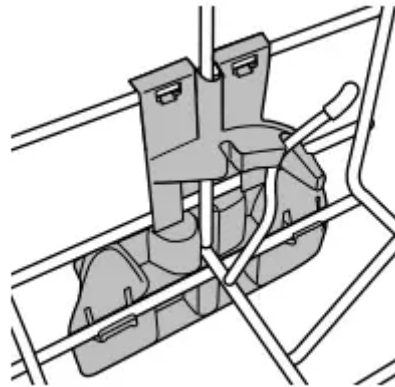
Load knives down, forks up, and alternate spoons for best cleaning results.

### **Folding Tines (on some models)**

The Folding Tines located in the back left corner (lower rack) provide convenient loading space for large, bulky items such as pots, pans, and mixing bowls.

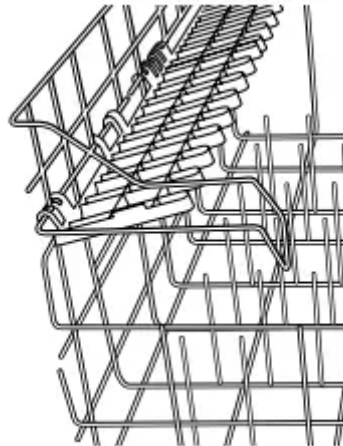
**To lower the tines:**

Gently push the tines out of each holder toward the center and lay the tines down.



### **Stack-Rack Shelves (on some models)**

Increase loading flexibility - items such as casserole dishes stay stable while the folding shelf allows you to load smaller items on top.



### **Cup Shelf**

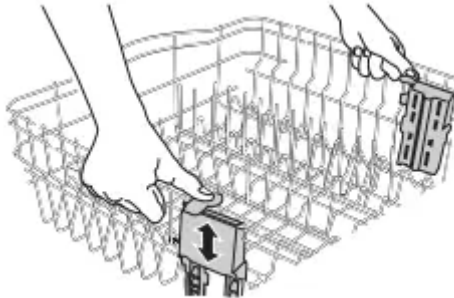
Fold down the extra shelf on the lefthand or right-hand side of the top rack to hold additional cups, stemware, or long items such as utensils and spatulas.



## Adjustable Upper Racks (on some models)

The Adjustable Upper Rack can be raised or lowered to accommodate taller plates, platters, pots, or pans in the upper or lower racks. Full size dinner plates can be loaded in the upper rack if it is in the lower position.

**NOTE:** Always unload racks before adjusting.



To raise the rack, press both rack adjusters and lift the rack until it is in the up position and level. To lower the rack, press both rack adjusters and slide the rack back to its lower position. After adjusting the upper rack, check that all spray arms turn freely

## Removable Upper Rack

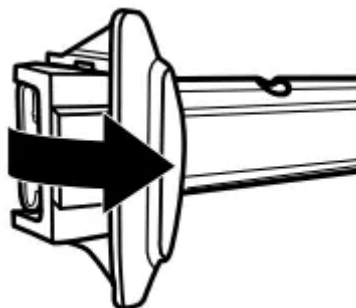
The removable rack allows you to wash larger items such as stock pots, roasters, and cookie sheets in the lower level rack.

**IMPORTANT:** Remove dishes prior to removing the upper rack from the dishwasher.

### Style A

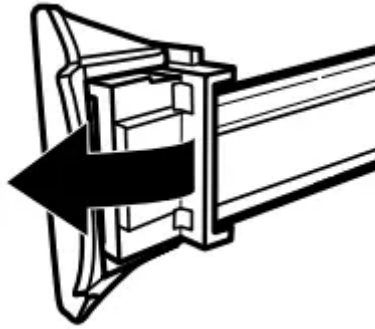
**To remove the rack:**

- 1. Roll the rack 1 /3 to 1 /2 of the way out of the tub.
- 2. Rotate the rack stops outward.
- 3. Roll the rack all the way out of the track and remove from the dishwasher.



**To replace the rack:**

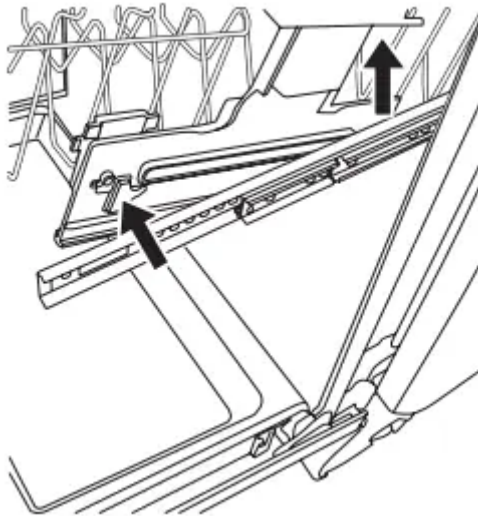
Reverse the above steps 1-3 to replace the rack into the dishwasher.



### **Style B**

#### **To remove the rack:**

- 1. To gain access to the removable tabs on the tracks/rails, pull the upper rack forward about halfway out of the tub.
- 2. On one side, press the tab on the track in and pull the front end of the rack up and out of the track. Then repeat this step on the other side to completely remove the front end of the rack.
- 3. Remove the rack by pulling the back end out using a forward and upward motion.



#### **To replace the rack:**

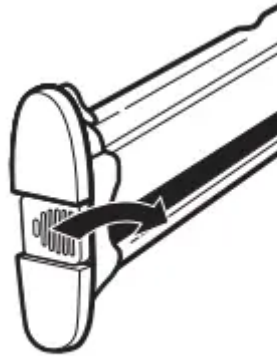
- 1. Pull the tracks forward about halfway out of the tub.
- 2. Along the sides of the racks are round attachment tabs. Align the rack's back end attachment tabs with the cutout in the track. Push down into place.
- 3. Pull the tracks completely out and align the rack's front end attachment tabs with the cutout in the track. Push down into place. You will hear a snap when the front end of the rack is secured into place on each side.

### **Style C**

### To remove the rack:

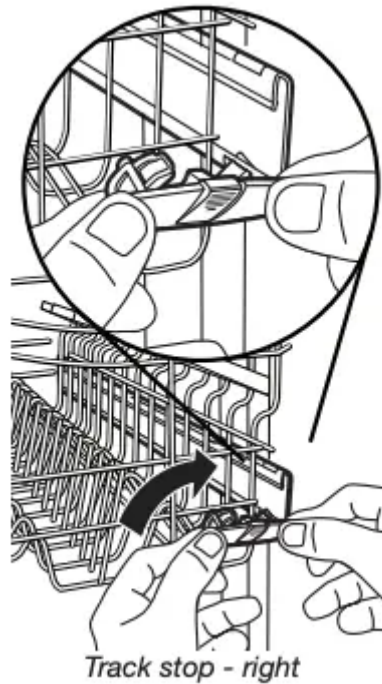
- 1. To gain access to the track stops, pull the upper rack forward about halfway out of the tub.
- 2. Press on the edge of the ridged area on the track stop while tipping the track stop toward the center of the dishwasher. This action releases a small retaining tab that locks the track stop to the track (see Track stop - left).

**NOTE:** It is helpful to use 2 hands. Take special note of the orientation of the track stops



*Track stop - left*

- 3. With the retaining tab released pull the track stop straight toward the opposite track to remove it.
- 4. After removing both track stops, carefully pull the top rack out of the tracks by rolling it toward you.
- 5. Replace the track stops by coming up from under the track and slipping the track stop into the lower slot of the track (see Track stop - right) and rotate the track stop into place. Then press on the edge of the ridged area while pushing the track stop straight toward the track. This action locks the retaining tab back into place.
- 6. Test the track stop by pulling it toward the opposite track to ensure that it is locked in place.



### To replace the rack:

- 1. Gently pull the tracks forward in dishwasher until they stop. Remove track stops. (See steps 1-3 above.)
- 2. Place the back wheels on each side of the rack into the track and roll the rack into the tracks, but do not push the rack all the way into the tub.
- 3. Insert front rack wheels on each side of the rack into the track.
- 4. Slide the rack into the dishwasher.
- 5. Replace the track stops by coming up from under the track and slipping the track stop into the lower slot of the track (see Track stop - right) and rotate the track stop into place. Then press on the edge of the ridged area while pushing the track stop straight toward the track. This action locks the retaining tab back into place.
- 6. Test the track stop by pulling it toward the opposite track to ensure that it is locked in place.

**IMPORTANT:** Be sure that the track stops are locked in place and cannot be easily removed. They keep the rack from coming out of the track.

## Dishwasher Care

### Cleaning the Exterior

Clean the exterior of dishwasher with a soft, damp cloth and mild detergent. If your dishwasher has a stainless steel exterior, a stainless steel cleaner, such as affresh®† Stainless Steel Cleaner is recommended. Avoid using abrasive cleaning products on the exterior of the dishwasher.

## Cleaning the Interior

Clean the interior of the dishwasher with a paste of powdered dishwasher detergent and water or use liquid dishwasher detergent on a damp sponge to clean the cooled-down interior.

A white vinegar rinse may remove white spots and film. Vinegar is an acid and using it too often could damage your dishwasher.

Put 2 cups (500 mL) white vinegar in a glass or dishwasher-safe measuring cup on the bottom rack. Run the dishwasher through a complete washing cycle using an air-dry or an energy-saving dry option. Do not use detergent. Vinegar will mix with the wash water.

## Dishwasher Maintenance Procedure

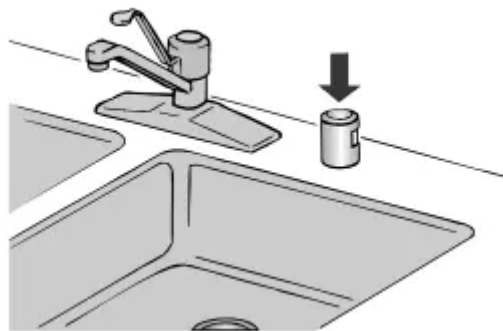
### Removal of Hard Water/Filming

Use of a monthly maintenance product such as affresh® Dishwasher Cleaner is recommended.

- Place affresh® Dishwasher Cleaner tablet in main wash compartment of detergent dispenser.
- Select a Normal cycle and start the dishwasher.

**NOTE:** Maytag recommends the use of high quality premeasured detergent tablets or packs, and the use of rinse aid for regular daily use. affresh is a registered trademark of Whirlpool, U.S.A.

If you have a drain air gap, check and clean it if the dishwasher isn't draining well.



### To Reduce Risk of Property Damage During Vacation or Extended Time Without Use

- When you will not be using the dishwasher during the summer months, turn off the water and power supply to the dishwasher.
- Make sure the water supply lines are protected against freezing conditions. Ice formations in the supply lines can increase water pressure and cause damage to your dishwasher or home.
- Damage from freezing is not covered by the warranty.
- When storing your dishwasher in the winter, avoid water damage by having your dishwasher winterized by authorized service personnel.

## Troubleshooting

First try the solutions suggested here. If you need further assistance or more recommendations that may help you avoid a service call, refer to the warranty page in this manual and scan the code with your mobile device

### **DISHWASHER DOES NOT RUN**

**NOTE:** It is normal for the dishwasher to repeatedly pause several times during a cycle. If the Start/Resume light is blinking:

- Front Control models: close the door and press START/RESUME.
- Top control models: press START/RESUME and close the door within 4 seconds.

Be sure the door is closed and latched.

- Check that there is not an interference with large casserole dishes and the wash system at the back of the dishwasher.
- Check to see if any items are protruding through the bottom or back of the rack. Also check to see if tall items are hitting the upper rack or spray arm. Adjust loading as necessary to ensure door is closed and latched.
  - Press START/RESUME or CANCEL, or open and close the door before selecting your cycle/option.
  - Controls must be awakened after a period of inactivity.
  - Be sure the Control/Lock feature is not on. If the control lock indicator is lit, press and hold SANITIZE for 3 seconds. The control lock LED will turn off and you can then operate the controls.
  - Be sure you have selected a cycle. See “Cycle and Option Descriptions” section.
  - Be sure there is power to the dishwasher. A circuit breaker or fuse may have tripped.
  - If lights other than Start/Resume blink and the unit will not run, you will need to call for service.

### **DETERGENT REMAINS IN THE DISPENSER OR TABLET IS ON BOTTOM OF TUB**

- Check for dishware such as cookie sheets, cutting boards, or large containers, etc., that may be blocking the detergent dispenser from opening properly.
- Be sure your detergent is fresh and lump free.
- If the cycle has completed, the “Clean” indicator light will be on in the status display. If it has not completed, you will need to resume the cycle by closing the door and pressing Start/Resume.

### **CYCLE RUNS TOO LONG**

## NOTES:

- To use less water and reduce energy consumption you will encounter cycles that typically run for up to 3 hours. Efficient dishwashers run longer to save water and energy, just as driving a car slower saves on gas.
- A water heater setting of 120°F (49°C) is best. The dishwasher will delay longer while heating cooler water.
- Some options will add time to the cycle. See “Cycle and Option Descriptions” section. The Heated Dry option adds approximately 45 minutes.
  - Try the Quick cycle. The Quick cycle uses more energy and water to clean the dishes in less time.
  - Run the hot water at a faucet close to the dishwasher before starting the cycle.

## **DISHWASHER NOT DRYING**

**NOTE:** Plastic and items with nonstick surfaces are difficult to dry because they have a porous surface which tends to collect water droplets. Towel drying may be necessary.

Use of rinse aid along with the Heated Dry option is needed for proper drying.

Proper loading of items can affect drying. (See specific loading instructions within this guide.)

Glasses and cups with concave bottoms hold water. This water may spill onto other items when unloading.

- Unload the bottom rack first.
- Locate these items on the more slanted side of the rack for improved results.

## **WILL NOT FILL**

- Be sure the water is turned on to the dishwasher.
- Check that the float is free from obstructions. See “Parts and Features” section.
- Check for suds in the dishwasher. If foam or suds are detected, the dishwasher may not operate properly or may not fill with water. See “Blinking Lights” in “Troubleshooting” section.

## **WATER REMAINS IN THE TUB/WILL NOT DRAIN**

Be sure the cycle has completed. (The Clean indicator light will be on in the display.) If it has not, resume the cycle by:

- Front control models: closing the door and pressing Start/Resume.
- Top control models: pressing Start/Resume and closing the door within 4 seconds.
  - If dishwasher is connected to a food waste disposer, be sure the knockout plug has been removed from the disposer inlet.
  - Check for kinks in the drain hose.

- Check for food obstructions in the drain or disposer.
- Check your house fuse or circuit breaker.

### **HARD WATER (WHITE RESIDUE ON DISHWASHER INTERIOR OR GLASSWARE)**

**NOTE:** Extremely hard water mineral deposits can cause damage to your dishwasher and make it difficult to achieve good cleaning. A water softener is strongly recommended if your hardness is grains or more. If a water softener is not installed, the following steps may help:

- Use a commercial cleaner designed for dishwashers once per month.
- Always use a rinse aid.
- Always use fresh high quality tablets or packs of detergent for improved performance.
- Use a detergent booster/water softener additive designed for dishwashers.

### **ODORS**

**NOTE:** If the dishwasher is not used daily, you can run a Rinse cycle with the partial load until a full load is ready to run.

- Run a vinegar rinse through the dishwasher by putting 2 cups (500 mL) of white vinegar in an upright glass measuring cup in the lower rack. Run a Normal cycle with the Heated Dry option turned off. Do not use detergent.
- The dishwasher may not be draining properly. See “Water Remains In The Tub/Will Not Drain” in the Troubleshooting” section.

### **NOISY**

- Surging sounds can occur periodically throughout the cycle while the dishwasher is draining.
- Normal water valve hissing may be heard periodically.
- A normal snap sound may be heard when the detergent dispenser opens during the cycle and when the door is opened at the end of the cycle.
- Improper installation will affect noise levels.
- Be sure the filters are properly installed.
- A thumping sound may be heard if items extend beyond the racks and interfere with the wash arms. Readjust the dishware and resume the cycle.

### **FOOD SOILS REMAIN ON DISHES**

- Be sure the dishwasher is loaded correctly. Improper loading can greatly decrease the washing performance. See “Dishwasher Use” section.
- Select the proper cycle and option for the type of soils. The PowerBlast™ cycle with the Hi Temp option can be used for tougher loads.
- Be sure the incoming water temperature is at least 120°F (49°C).

- Use the proper amount of fresh detergent. More detergent is needed for heavier-soiled loads and hard water conditions.
- Scrape food from dishes prior to loading (do not prerinse).

### **DISHES DIRTY/SUDS IN DISHWASHER/CYCLE NOT COMPLETE**

If foam or suds are detected by the dishwasher sensing system, the dishwasher may not operate properly or may not fill with water.

Suds can come from:

- Using the incorrect type of detergent, such as dish detergent for hand washing dishes, laundry detergent, or hand soap.
- Not replacing the rinse aid dispenser cap after filling (or refilling) the rinse aid.
- Using an excessive amount of dishwasher detergent.
- Inadequate rinsing off detergent from dishes washed by hand before loading them into the dishwasher.
  - Call for service.
  - If no water was present in the machine at any time during a heated wash cycle, the cycle will end and the Clean indicator will not come on. See “Will Not Fill” in the “Troubleshooting” section.

### **DID NOT SANITIZE**

- If the Sanitized light is blinking, the load is NOT sanitized. The cycle was interrupted in the final rinse or the temperature for your water heater is set too low. Set your water heater to 120°F (49°C).

### **DAMAGE TO DISHWARE**

- Improper loading can cause dishes to become chipped or damaged. (See specific loading instructions within this guide.)

### **BLINKING LIGHTS**

- Blinking indicators will occur when the cycle is paused or when the cycle has been interrupted by opening the door. If the Start/Resume light is blinking, press Start/Resume and close the door within seconds.
- See “Start or Resume a Cycle” in the “Dishwasher Use” section.
- If the Clean light or any other lights are blinking and the dishwasher will not run, call for service.

### **CLOUDY OR SPOTTED DISHWARE (AND HARD WATER SOLUTION)**

- Add or adjust the amount of liquid rinse aid for better drying and to reduce spotting. See “Detergent and Rinse Aid” section.

- Use the correct amount of detergent.
- Confirm that the cloudiness is removable by soaking the item in white vinegar for 5 minutes. If the cloudiness disappears, it is due to hard water. Adjust the amount of detergent and rinse aid. See Hard Water (White Residue on Dishwasher Interior or Glassware)” in the “Troubleshooting” section.
- If it does not come clear, it is due to etching (see below).
- Be sure the incoming water temperature is set at 120°F (49°C).
- Try using the Hi Temp and Sanitize options.
- To remove spotting, run a vinegar rinse through the dishwasher.
  - Wash and rinse the affected dishware and load into dishwasher. Remove all silverware and metal items. Put 2 cups (500 mL) of white vinegar in a glass measuring cup in the lower rack. Run a Normal cycle with the Heated Dry option turned off. No detergent is needed.

### **ETCHING (PERMANENT CLOUDINESS)**

- This is an erosion of the surface of the glassware and can be caused by a combination of: water that is too hot, from using too much detergent with soft water, or by pre-washing. Detergent needs food soil to act upon. If etching has occurred, the glassware is permanently damaged. To avoid further etching, adjust the detergent amount to match the water hardness, stop pre-washing, and use water heating options only when incoming water temperature is below 120°F (49°C).

### **LEAKING WATER**

- Be sure dishwasher has been installed properly and is level.
- Suds can cause the dishwasher to overflow. Measure the detergent accurately and use only detergents designed for use in a dishwasher. Less detergent is needed in soft water. Try another brand of detergent if sudsing continues.
- To avoid rinse aid leaking from the dispenser, be sure the lid is securely attached and avoid overfilling.

### **TUB IS DISCOLORED**

- High iron content in the water can discolor the tub.
- Tomato-based foods can discolor the tub or dishware. Large amounts of tomato-based foods should be removed from the dishes before loading.
- A citrus-based cleaner can be used to clean.

#### **Warning**

This content is compiled from multiple sources and is provided for reference purposes only. It may not be complete or fully applicable to all situations. If you are unable to resolve your issue, please contact the product manufacturer or an authorized service provider for official support.

---

Document generated by [ManualsFile](#)

