

## USER MANUALS

# IMPORTANT SAFETY INSTRUCTIONS SAVE THESE INSTRUCTIONS

When using an electrical steam cleaner, basic precautions should always be followed, including the following:

READ ALL INSTRUCTIONS BEFORE USING THIS STEAM CLEANER.

WARNING: TO REDUCE THE RISK OF FIRE, ELECTRIC SHOCK OR INJURY: • Fully assemble before operating.

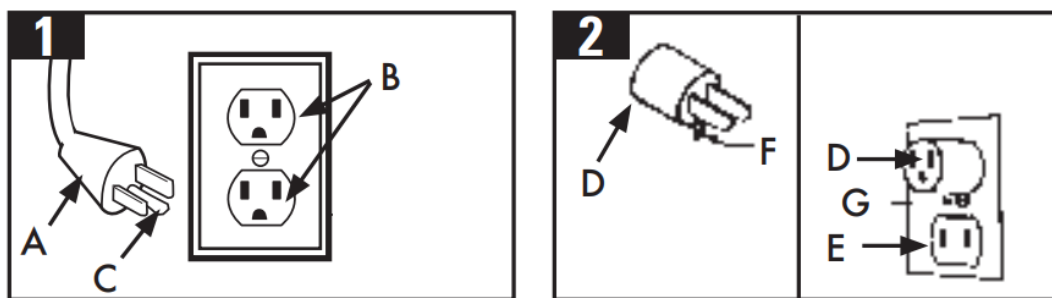
- Operate steam cleaner only at voltage specified on data label on bottom of cleaner.
- Do not leave steam cleaner when plugged in. Unplug from outlet when not in use and before cleaning or servicing.
- Do not use or store outdoors.
- Do not use for space heating purposes.
- Do not immerse in water.
- Do not allow to be used as a toy. Not intended for use by children age 12 and under. Close supervision is necessary when used near children. To avoid injury or damage, keep children away from steam cleaner, and do not allow children to place fingers or other objects into any openings.
- Use only as described in this manual. Use only manufacturer's recommended attachments and steam cleaners.
- Do not use with damaged cord or plug. If steam cleaner is not working as it should, has been dropped, damaged, left outdoors, or dropped into water, call Customer Service at 1-800-944-9200 for further instruction before continuing use.
- Do not pull or carry by cord, use cord as a handle, close a door on cord, or pull cord around sharp edges or corners. Do not place steam cleaner on cord. Do not run steam cleaner over cord. Keep cord away from heated surfaces.
- Do not unplug by pulling on cord. To unplug, grasp the plug, not the cord.
- Do not put any object into openings. Do not use with any opening blocked.
- Keep hair, loose clothing, fingers, and all parts of body away from openings.
- Turn off all controls before unplugging.
- Use extra care when cleaning on stairs. When not in use do not place cleaner on stairs or furniture, as it may result in injury or damage.
- Do not use in areas where flammable or combustible liquids, such as gasoline may be present.

- Connect to a properly grounded outlet only. See Grounding Instructions.
- Do not clean over floor electrical outlets.
- Before cleaning any electrical appliance, check and follow manufacturer's cleaning guidelines. Never apply steam to electrical parts.
- To avoid burn or injury, do not apply steam directly to any person or animal.
- Only use water to refill the Water Tank. Do not use any type of chemicals or additives in the Water Tank.
- Do not open the Water Fill Safety Cap when using the steam cleaner.
- Do not add descaling, aromatic, alcoholic solutions, cleaning solutions, scented perfumes, oils or any other chemicals to the water used in this steam cleaner as this may damage the steam cleaner or make it unsafe for use. While this steam cleaner is designed for tap water, to increase effectiveness of the steam and to avoid build up of minerals, you may use distilled water to fill steam cleaner.
- Do not use steam cleaner in an enclosed space filled with vapor given off by oilbased paint, paint thinners, some moth proofing substances, flammable dust, or other explosive or toxic vapors.
- When in use, never turn the steam cleaner over or use while on its side.
- Allow steam cleaner sufficient time to cool prior to removing the Microfiber Pad.
- Before cleaning the steam cleaner, unplug the power cord from the electrical outlet and clean with a dry or damp cloth. Do not pour water or use alcohol, benzene or paint thinner on the steam cleaner. • Do not fill Water Tank under running water, use only manufactures supplied fill cup.
- Do not completely remove safety cap when tank is hot.
- Fill tank only when cool.
- Do not turn on until tank is filled with water.
- Safety cap must always be tightened before use.
- While in use, do not incline steam cleaner more than 45 degrees.
- **WARNING:** This steam cleaner contains chemicals known to the State of California to cause cancer, birth defects or reproductive harm. WASH HANDS AFTER HANDLING.

## **GROUNDING INSTRUCTIONS**

This steam cleaner must be grounded. If it should malfunction or breakdown, grounding provides a path of least resistance for electric current to reduce the risk of electric shock. This steam cleaner is equipped with a cord having an equipment-grounding conductor (C) and grounding plug (A). The plug must be inserted into an appropriate outlet (B) that is properly installed and grounded in accordance with all local codes and ordinances.

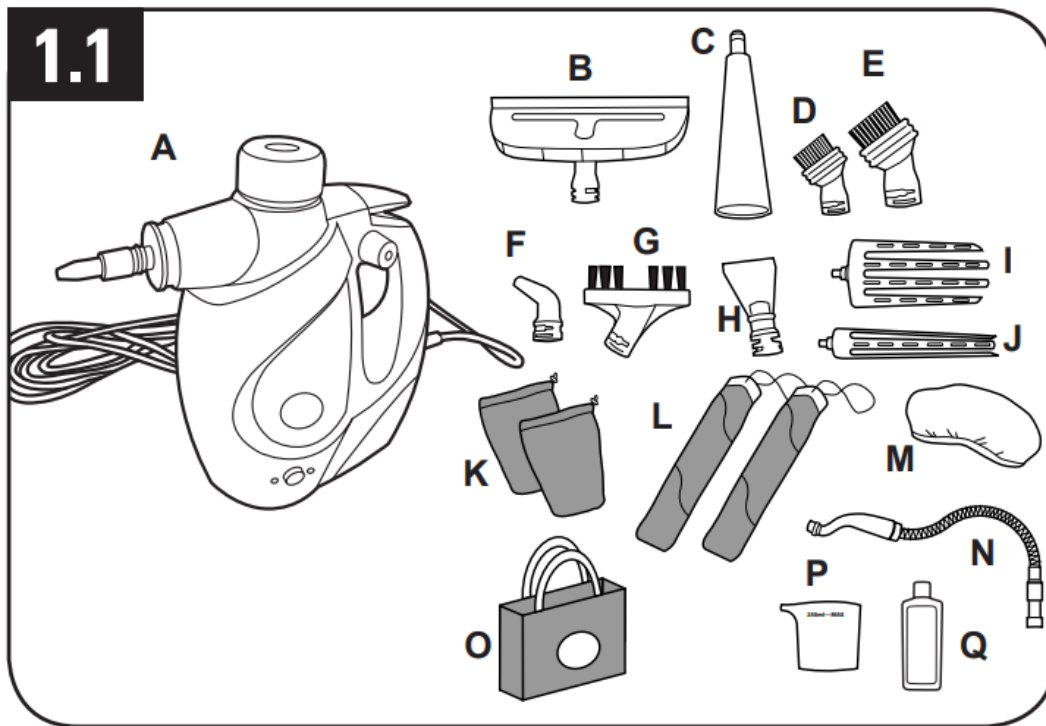
**WARNING:** Improper connection of the equipment-grounding conductor can result in the risk of electric shock. Check with a qualified electrician or service person if you are in doubt as to whether the outlet is properly grounded. Do not modify the plug provided with the steam cleaner - if it will not fit the outlet, have a proper outlet installed by a qualified electrician. This steam cleaner is for use on a nominal 120-volt circuit and has a grounding plug that looks like the plug (A) illustrated in Fig. 1. A temporary adapter (D) may be used to connect this plug to a 2-pole receptacle (E) if a properly grounded outlet is not available (Fig. 2). The temporary adapter should be used only until a properly grounded outlet (B) can be installed by a qualified electrician (Fig. 1). The green colored rigid ear, lug, or the like (F) extending from the adapter must be connected to a permanent ground (G) such as a properly grounded outlet box cover (Fig. 2). Whenever the adapter is used, it must be held in place by a metal screw. NOTE: In Canada, the use of a temporary adapter is not permitted by the Canadian Electrical Code.



**CAUTION: TO REDUCE THE RISK OF DAMAGE:**

- Store appropriately indoors in a dry place. Do not expose machine to freezing temperatures.
- With steam activated, do not allow steam cleaner to spray in one location for an extended period of time, as damage to surface can result.

## CARTON CONTENTS



Remove all parts from carton and identify each item shown.

Make sure all parts are located before disposing of packing materials.

- A. Handheld Steam Cleaner
- B. Window Squeegee/Garment Steaming Tool
- C. Turbo Nozzle Extension
- D. Small Nylon Scrub Brush
- E. Medium Nylon Scrub Brush
- F. Angle Nozzle
- G. Grout Cleaning Tool
- H. Scraping Tool
- I. Wedge (Large Surface Cleaning)
- J. Detail Cleaning Wand
- K. (2) Pads For Wedge (Standard Microfiber)
- L. (2) Pads For Wand (Standard Microfiber)
- M. Garment Steamer Cloth
- N. Hose Assembly For Wand Or Wedge With Built In Handle
- O. Storage Tote
- P. Measuring Cup



- 10. Power Button
- 11. Power Indicator Light
- 12. Water Tank

## TECHNICAL SPECIFICATION

- Model Number: WH20100
- Input Power: AC 120V / 60Hz / 10A

## HOW TO USE: STEAM CLEANER

### WARNING

Turn off, unplug, and allow steam cleaner to cool before servicing or filling tank. Do not clean over electrical outlets. Use only with Hoover® SteamPlus™ Cleaning Solution.

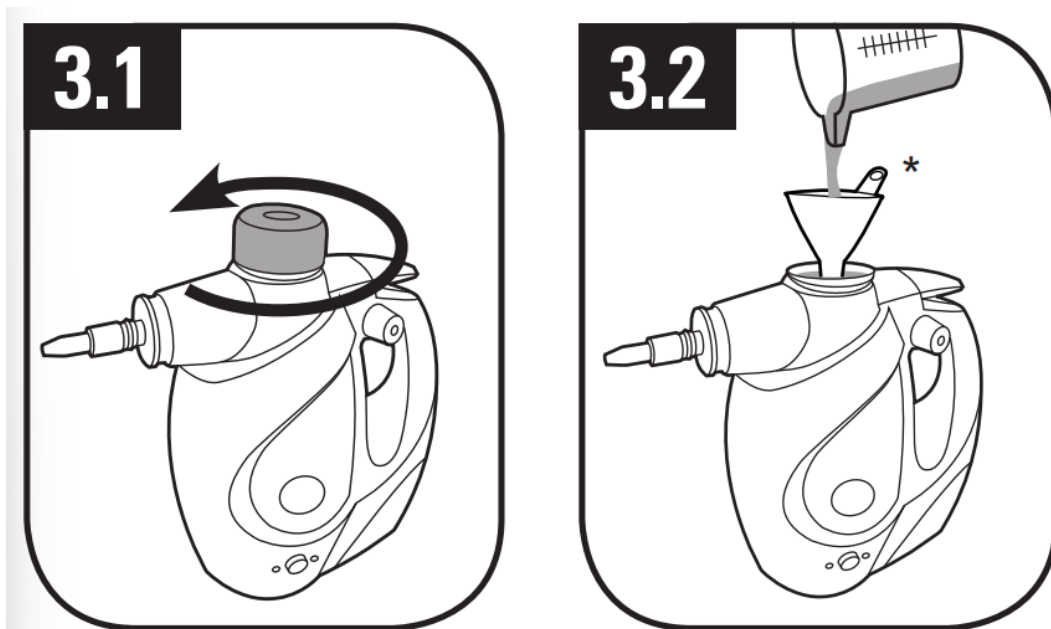
### FILLING WATER TANK

#### CAUTION

Use caution when removing Water Fill Safety Cap. Even when cap is able to be turned the steam cleaner may still be hot, especially the metal ring.

#### IMPORTANT

Do not add cleaning solution to Water Tank.



- Place the steam cleaner on a level surface. If you are filling the Water Tank during or after use, see “Refilling Water During Operation” instructions on page 7. After you have ensured the steam cleaner has cooled and pressure has been released, the Water Fill

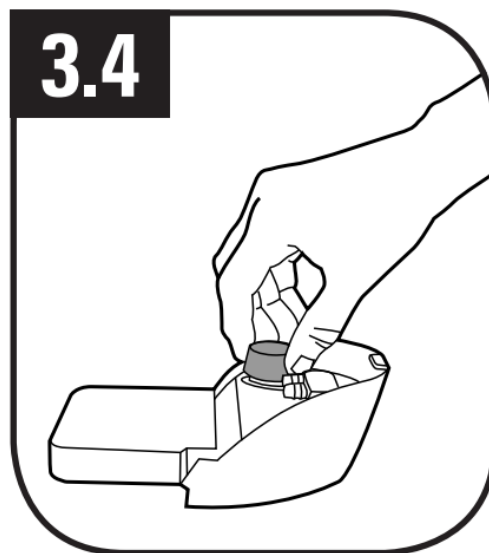
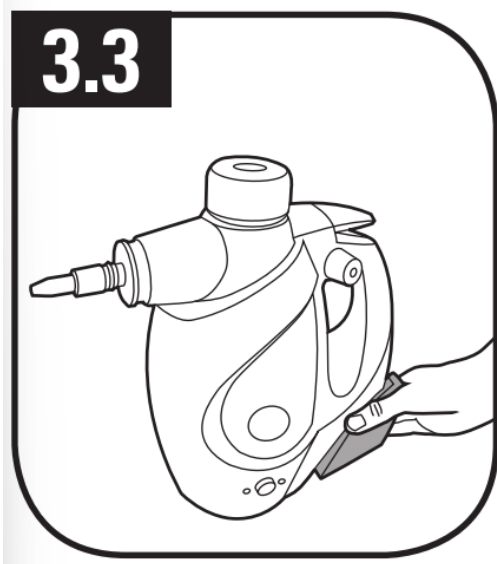
Safety Cap should turn freely for removal. Unscrew the Water Fill Safety Cap counter-clockwise (3.1).

- Add 300ml (10oz) water into the Measuring Cup, as indicated on cup, and pour the water into the Water Tank (3.2). (Max. capacity of the tank is 300ml (10oz). Do not overfill the Water Tank. Allow space to be left at the top). Overfilling may cause excess water to be emitted from the steam cleaner. When refilling the steam cleaner, make sure to empty all remaining water from the Water Tank before refilling
- Re-install the Water Fill Safety Cap in a clockwise direction and tighten until completely sealed.
- DO NOT OVERTIGHTEN SAFETY CAP

## REMOVING AND FILLING SOLUTION TANK

### IMPORTANT

Do not mix Hoover® SteamPlus™ cleaning solution with any other cleaning solution.



- Squeeze tabs on side of Solution Tank to slide tank out of steam cleaner as shown (3.3).
- Remove cap from the top of Solution Tank (3.4).
- Fill the Solution Tank with recommended Hoover® SteamPlus™ Cleaning Solution using Funnel\* and Measuring Cup. FOR OPTIMAL CLEANING RESULTS, add the solution directly into the solution tank of your Hoover® Steam Cleaner. FOR REGULAR STRENGTH, add equal parts warm tap water (not boiled) and cleaning solution to solution tank, based on tank capacity of your specific appliance.
- Replace cap ensuring that it is fully sealed.
- Replace Solution Tank by sliding it into opening and applying light pressure to the back of the tank until tabs on side of the tank lock into body of steam cleaner.

## **IMPORTANT**

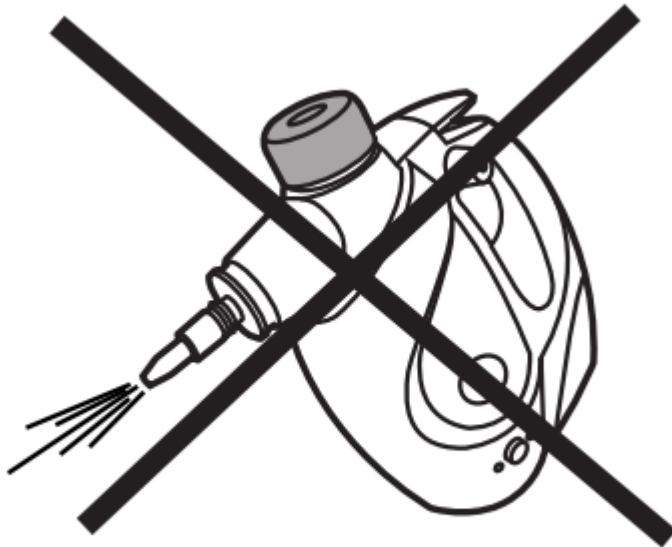
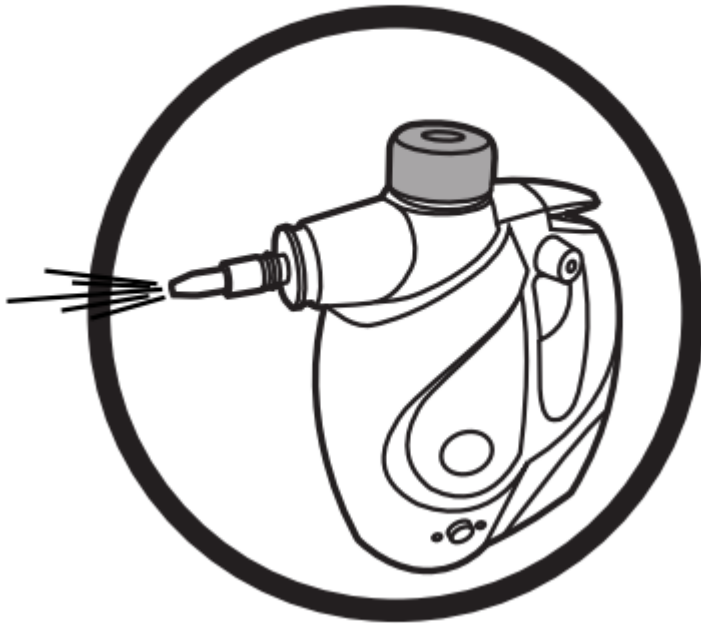
Do not leave Clean Control™ Dial in between settings. Make sure the dial clicks into the proper setting before use.

## **USING THE CLEAN CONTROL™ DIAL**

(When using with Hoover® SteamPlus™ Cleaning Solution)

- The Clean Control™ Dial controls the amount of cleaning solution that is added to the steam. It does not adjust the amount of steam, only the cleaning solution.
- If you wish to clean with steam alone, simply turn the Clean Control™ Dial to “OFF”. Now every time you press the Steam Trigger, you will release steam alone.
- If you wish to clean using Hoover® SteamPlus™ Cleaning Solution, simply turn the Clean Control™ Dial to the desired setting. Now when pressing the Steam Trigger, the steam cleaner will release the amount of solution that is indicated on the Clean Control™ Dial as well as steam.

# Correct Use



# Incorrect Use

- Press the Power Button. The blue Power Indicator Light should stay illuminated. If the light does not illuminate, check the “Troubleshooting” section for more details.
- The steam cleaner should take between 3-6 minutes to heat up to steam temperatures, which will be indicated when the green Steam Ready Indicator Light illuminates.

- When operating the steam cleaner, make sure to keep it level during use. Tilting the cleaner downward too far will cause water to be emitted from the cleaner (See image to the right).

## **WARNING**

Do not operate steam cleaner without water in Water Tank.

## **For Optimal Cleaning Performance**

(When using with Hoover® SteamPlus™ Cleaning Solution)

- Fill the Solution Tank with the Hoover® Steam Cleaning Solution as directed in “Removing and Filling Solution Tank” section on page 6. Turn Clean Control™ Dial to HIGH.

## **For Limited Disinfection**

- Use steam alone. Do not use cleaning solution. Turn Clean Control™ Dial to “OFF”.
- Use steam cleaner with hose assembly (N) and detail cleaning wand (J) with microfiber pad (L). (REF 1.1).
- Make a minimum of 4 passes at a medium pace, 2-3 seconds per 1-2” stroke. Allow to sit for 1 minute

## **REFILLING WATER DURING OPERATION**

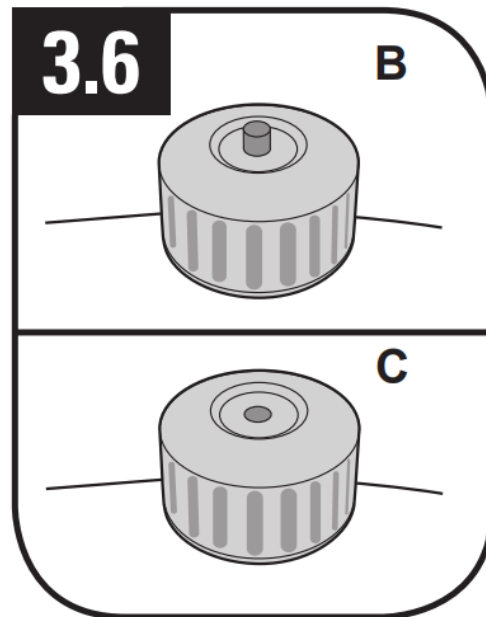
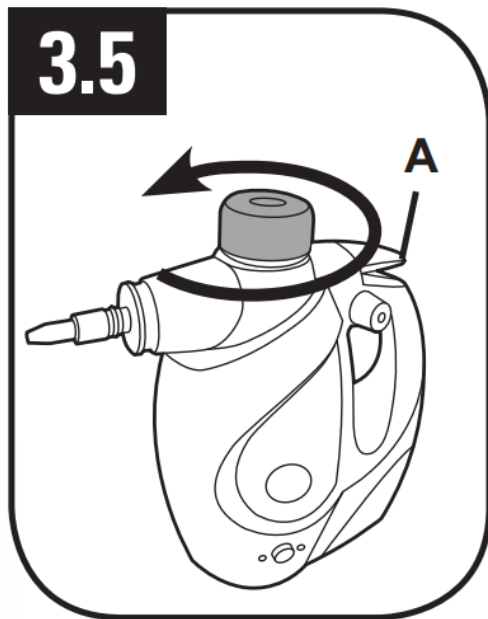
### **CAUTION**

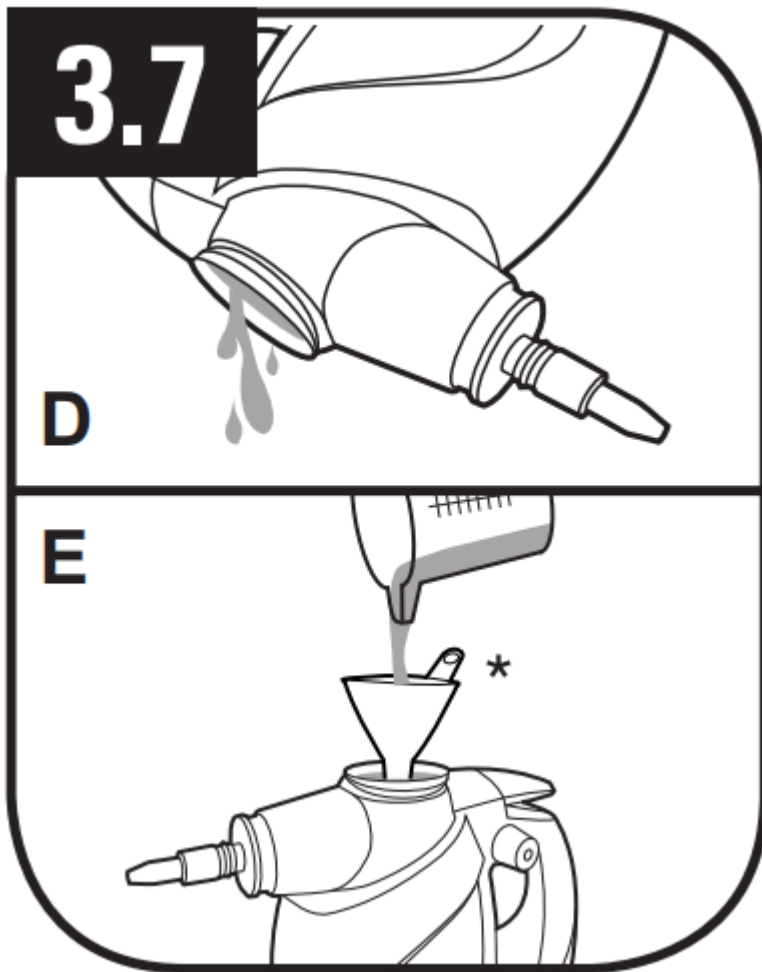
To avoid burn injury, do not refill Water Tank before steam cleaner has cooled completely. Use caution when removing Water Fill Safety Cap. Even when cap is able to be turned the steam cleaner may still be hot, especially all metal surfaces.

- Press Power Button to turn “OFF” and then unplug Power Cord from wall outlet
- Press down Steam Trigger (3.5,A) to release pressure. When Water Tank is under pressure, the Safety Pressure Indicator will rise above the surface of the cap (3.6,B). When the tank is not under pressure the Safety Pressure Indicator will be flush or below the surface (3.6,C).
- Wait 7-10 minutes until the Safety Pressure Indicator has gone down, which indicates the steam cleaner has cooled. After 10 minutes, if the Safety Pressure Indicator has not fully dropped, release residual pressure by pressing Steam Trigger. Slowly start to unscrew the Water Fill Safety Cap counter-clockwise while gently pushing on the Safety Pressure Indicator. **DO NOT FULLY UNSCREW THE WATER FILL SAFETY CAP AT THIS TIME.** Allow steam cleaner to cool an additional 5 minutes. After you have ensured the steam

cleaner has cooled and pressure has been released, the Water Fill Safety Cap should turn freely for removal. Unscrew the Water Fill Safety Cap completely.

- Remove any remaining water to avoid overfilling (3.7,D), insert Funnel\* and add 300ml (10oz) water into the Measuring Cup. Pour the water into the Water Tank (3.7,E). (Max. capacity of the tank is 300ml (10oz). Do not overfill the tank to allow space to be left at the top).
- Re-install the Water Fill Safety Cap in a clockwise direction and tighten until completely sealed.
- DO NOT OVERTIGHTEN SAFETY CAP.





**IMPORTANT:** DO NOT ADD CLEANING SOLUTION TO WATER TANK.

### **CLEANING AFTER USE**

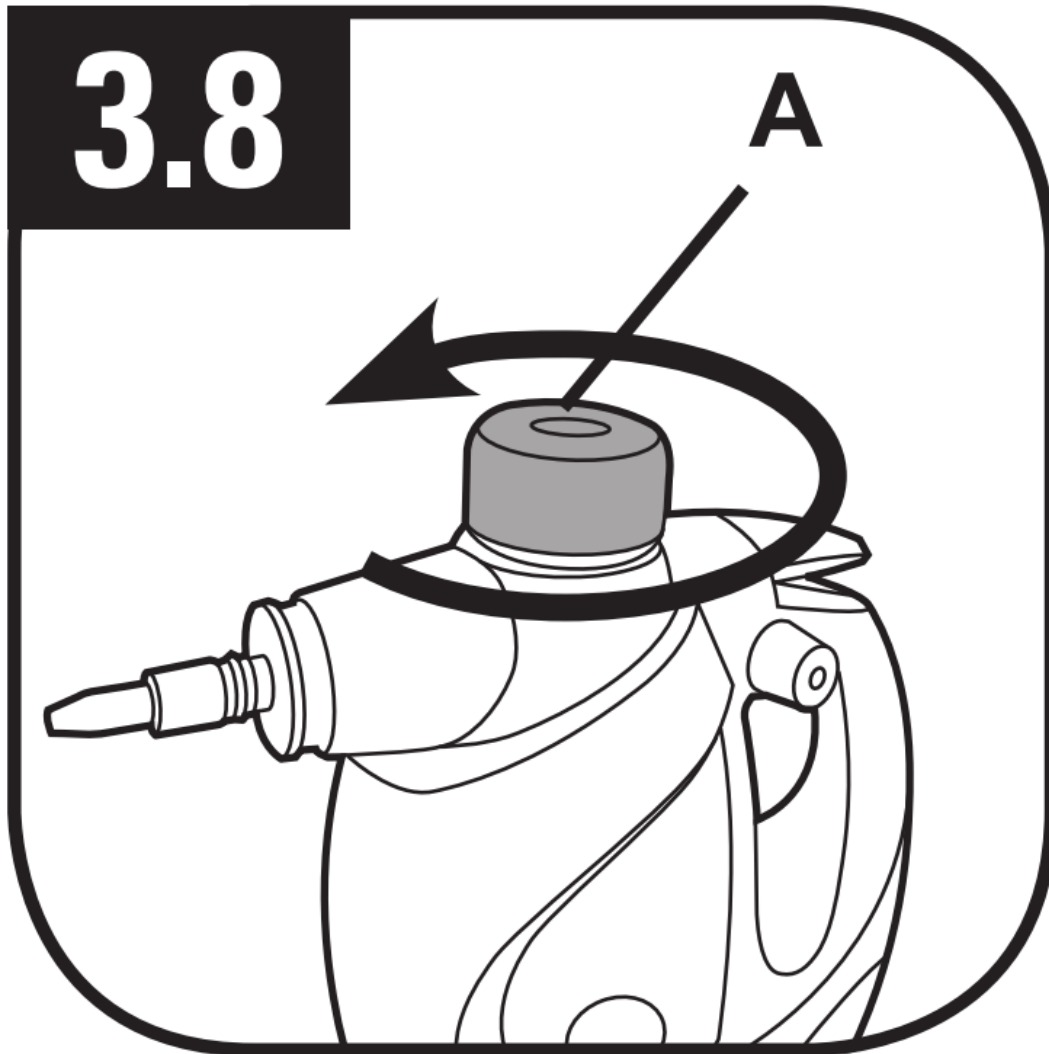
**CAUTION:** To avoid burn injury, do not refill Water Tank before steam cleaner has cooled completely. Use caution when removing Water Fill Safety Cap. Even when cap is able to be turned the steam cleaner may still be hot, especially all metal surfaces.

**IMPORTANT:** Make sure safety cap is tightened securely before continuing use or for storage

- After the steam cleaner is used, press the Power Button to turn power “OFF” and then unplug the Power Cord from wall outlet. Press down the Steam Trigger to release all pressure.
- Wait 7-10 minutes until the Safety Pressure Indicator has gone down, which indicates the steam cleaner has cooled. After 10 minutes, if the Safety Pressure Indicator has not fully dropped, release residual pressure by pressing Steam Trigger. Slowly start to unscrew the Water Fill Safety Cap counterclockwise while gently pushing on the Safety Pressure Indicator. **DO NOT FULLY UNSCREW THE WATER FILL SAFETY CAP.** Allow steam cleaner to cool an additional 5 minutes. After you have ensured the steam cleaner has

cooled and pressure has been released, the Water Fill Safety Cap should turn freely for removal. Unscrew the cap completely (3.8).

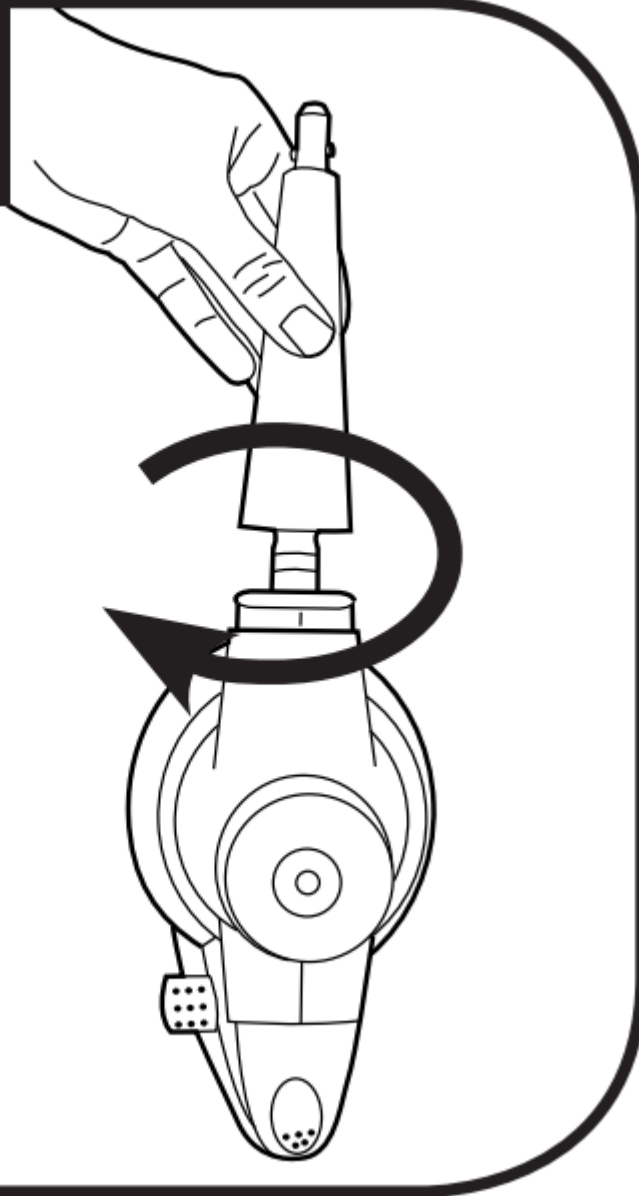
- Empty the residual water in the tank and allow to dry. Clean the external surface with a dry cloth. Re-install the Water Fill Safety Cap in a clockwise direction and tighten until completely sealed.
- DO NOT OVERTIGHTEN SAFETY CAP.



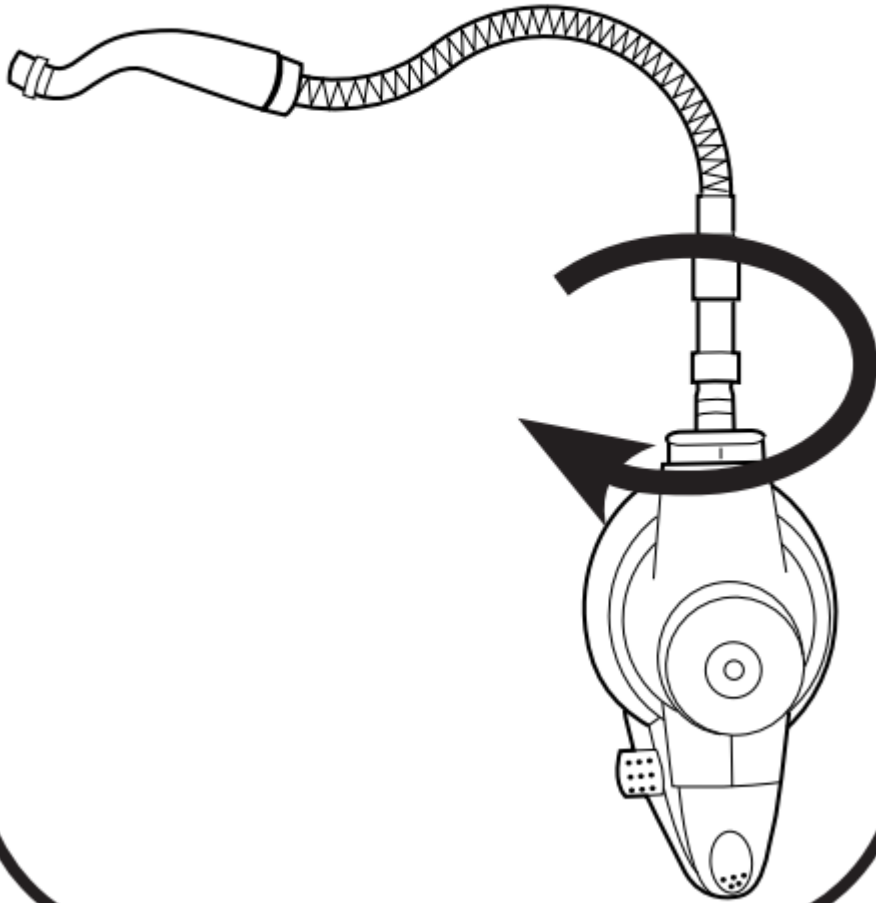
## HOW TO USE: ACCESSORIES

**CAUTION:** Turn off, unplug, and allow steam cleaner to cool before removing accessories. Always have the nozzle pointed away from you and others during installation.

4.1

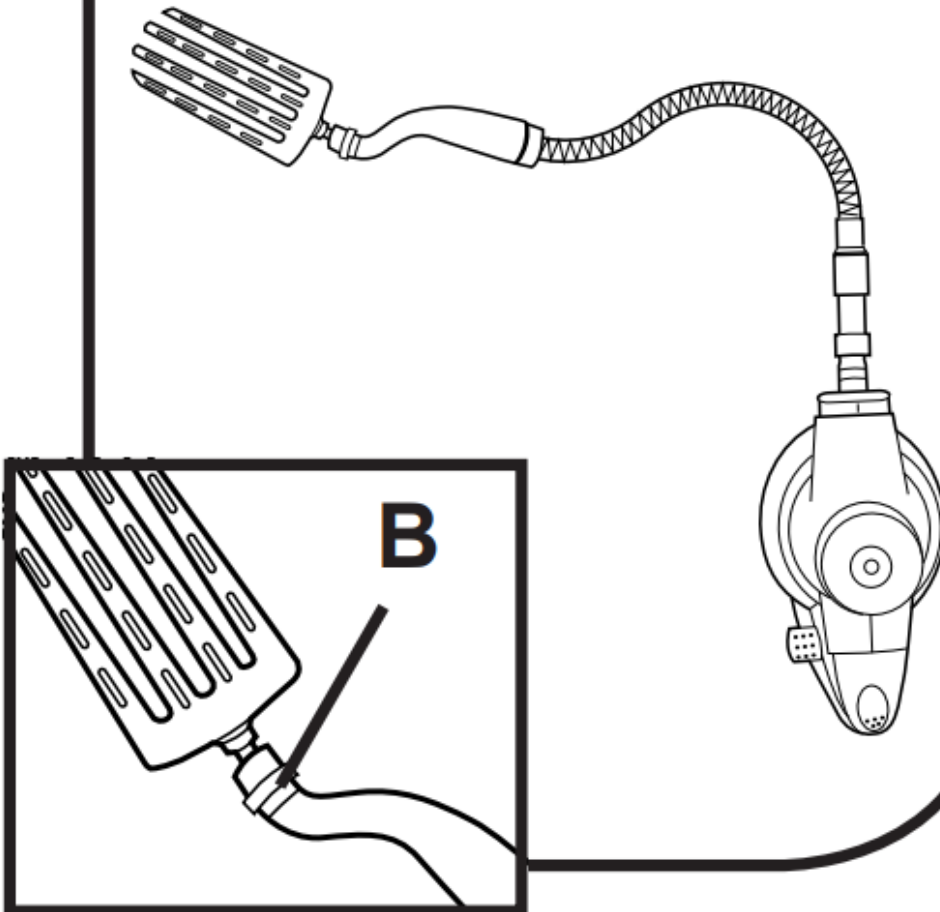


# 4.2



# 4.3

A



B

## ATTACHING ACCESSORIES

See the "Accessories Chart" on page 9 for suggested use and extensions required.

### STEAM NOZZLE

- The Steam Nozzle is permanently attached to Handheld Steam Cleaner and can be used for direct steam application or to attach desired accessories. See "Accessory Chart" on page 9 for which accessories can be attached.

## **TURBO NOZZLE EXTENSION**

### How to Attach and Remove

- Fit the Turbo Nozzle Extension over the Steam Nozzle on Handheld Steam Cleaner (4.1). Align the orientation marks and rotate clockwise until Turbo Nozzle Extension is in locked position and secure. Once Turbo Nozzle Extension is attached, use for direct steam application or attach desired accessories. See “Accessory Chart” on page 9 for which accessories can be attached.
- To remove Turbo Nozzle Extension rotate counter-clockwise and gently pull away from steam cleaner.

## **HOSE**

### How to Attach and Remove

- Fit the Hose Assembly with built in handle over the Steam Nozzle on Handheld Steam Cleaner (4.2). Align the orientation marks and rotate clockwise until hose assembly is in locked position and secure.
- To remove assembly, slide release button at the base of Hose away from steam cleaner and rotate counter-clockwise and pull away Hose.

### **Attaching Accessories to Hose Assembly with Built-In Handle**

Once Hose Assembly is attached, you can attach the wand or wedge accessories to the Hose Handle (4.3, A) (See “Accessory Chart” on page 9). To connect the wand and wedge, pull back the quick release ring (4.3, B) on handle and insert the wand or wedge. Once wand or wedge is attached, release the ring (4.3, B), attach the corresponding Microfiber Pad over frame and secure with the bungee clip. See “Accessory Chart” on page 9 for suggested use. See “Maintenance” section on page 10 for cleaning instructions.

## **ACCESSORIES CHART: EXTENSIONS AND USAGE**

**CAUTION:** Before cleaning any electrical appliance, check and follow appliance manufacturer’s cleaning guidelines. Never apply steam to electrical parts.

ACCESSORY	REQUIRED EXTENSION FOR USE			SUGGESTED USE
	NOZZLE EXTENSION	STEAM NOZZLE	HOSE	
Turbo Nozzle Extension		X		Used for direct steam application, but primarily as an extension to attach smaller accessories.
Window Squeegee/ Garment Steaming Tool	X			Shower glass doors, mirrors, glass, removing soap scum and grime. Garment tool for taking wrinkles out of garments, steaming draperies, tablecloths, and more (without solution)
Small and Medium Nylon Scrub Brushes	X			Oven, microwaves, stove tops, showers, bathtubs, faucet fixtures, tile, grout, toys, refrigerators, etc.
Small Brass Scrub Brush	X			Ovens. Cleaning metal appliances. (Scratch resistant surfaces)
Angle Nozzle	X			Stove tops, around faucet edges, grout, microwaves, sinks, hard to reach areas, etc.
Grout Cleaning Tool	X			Cleaning all grout lines, sanded on nonsanded.
Scraping Tool	X			Scraping baked on food, grime, and grease. Removing residue or other difficult substances from surfaces.
Wedge (Large Surface Cleaning) with pads			X	Cleaning counter tops, tables, cabinets, ceiling fans, range ovens, range hoods, refrigerators inside and out. Mirrors, glass doors, showers, tile walls, and cleaning non-porous, sealed, hard furniture as well as upholstery.
Detail Cleaning Wand with Pad			X	Staircase banisters railings, chandeliers, around refrigerators, microwaves, and other hard to reach

				areas. For dusting around furniture and fixtures.
Garment Steamer Cloth	X			For use when steaming garments, draperies, tablecloths, etc. (without solution)
Hose Assembl		X		Only for use with wand and wedge tools

## MAINTENANCE

This steam cleaner contains no user serviceable parts. Do not try to repair it yourself.

If steam cleaner is not working as it should, has been dropped, damaged, left outdoors, or dropped into water, call Customer Service at 1-800-944-9200 for further instruction before continuing use.

### CLEANING WAND AND WEDGE PADS

- Machine washable on “warm” setting. Always use a mild detergent.
- For best care results, lay flat to dry.

**IMPORTANT** Allow the steam cleaner to fully cool down before performing any maintenance or troubleshooting checks.

**IMPORTANT** Never use bleach or fabric softener when washing the Microfiber Cleaning Pad.

## STORAGE

- After the steam cleaner is used, press the Power Button to turn the power “OFF” and then unplug the Power Cord from the wall outlet.
- Press down the Steam Trigger to release all pressure.
- Wait 7-10 minutes until the Safety Pressure Indicator has gone down, which indicates the steam cleaner has cooled. After 10 minutes, if the Safety Pressure Indicator has not fully dropped, release residual pressure by pressing Steam Trigger. Slowly start to unscrew the Water Fill Safety Cap counter-clockwise while gently pushing on the Safety Pressure Indicator. **DO NOT FULLY UNSCREW THE WATER FILL SAFETY CAP AT THIS TIME.** Allow machine to cool an additional 5 minutes. After you have ensured the steam cleaner has cooled and pressure has been released, the Water Fill Safety Cap should turn freely for removal. Unscrew the cap completely (3.5).
- Empty the residual water in the tank and clean the external surface with a dry cloth. Allow to dry. Re-install the Water Fill Safety Cap in a clockwise direction and tighten until completely sealed.

- DO NOT OVERTIGHTEN SAFETY CAP.
- Leaving unused solution in Solution Tank will not affect performance.
- Store upright in a protected, dry area. Keep water Funnel\* and Measuring Cup for future use.

## **TROUBLESHOOTING**

USE TROUBLESHOOTING GUIDE AS A FIRST STEP TO RESOLVE ANY PROBLEMS YOU MAY BE EXPERIENCING.

If steam cleaner is not working as it should, has been dropped, damaged, left outdoors, or dropped into water, call Customer Service at 1-800-944-9200 for further instruction before continuing use.

**WARNING !** To reduce risk of personal injury - unplug steam cleaner before servicing and allow to cool.

PROBLEM	POSSIBLE REASON	POSSIBLE SOLUTION
Reduced steam or no steam	<ol style="list-style-type: none"> <li>1. Water Tank may be empty</li> <li>2. There is no power to the steam cleaner.</li> <li>3. The Water Fill Safety Cap may not be attached correctly.</li> <li>4. Steam Nozzle may be blocked.</li> </ol>	<ol style="list-style-type: none"> <li>1. Please refer to the “Refilling Water During Operation” section - page 7.</li> <li>2. Turn Power Button on or check fuse or breaker in home. 3. The Water Fill Safety Cap may not be attached correctly.</li> <li>3. Please refer to the “Refilling Water During Operation” section - page 7.</li> <li>4. With steam cleaner unplugged and all steam discharged, clean any visible debris from outlet of steam nozzle using a straightened paper clip.</li> </ol>
Steam cleaner worked intermittently and then stopped	<ol style="list-style-type: none"> <li>1. Not enough water in the tank.</li> </ol>	<ol style="list-style-type: none"> <li>1. Please refer to the “Refilling Water During Operation” section - page 7.</li> </ol>
Steam cleaner will not turn on	<ol style="list-style-type: none"> <li>1. Blown fuse or breaker.</li> <li>2. Power Cord not plugged in.</li> <li>3. Power Button is not on.</li> <li>4. Internal fuse is blown.</li> </ol>	<ol style="list-style-type: none"> <li>1. Replace fuse or reset breaker in home</li> <li>2. Plug cord into a working circuit.</li> <li>3. Press Power Button and make sure the blue light is illuminated</li> <li>4. Call a customer service representative at: 1-800-944-9200</li> </ol>
Steam cleaner is emitting water	<ol style="list-style-type: none"> <li>1. The steam cleaner is angled too far down.</li> <li>2. Too much water is in tank.</li> </ol>	<ol style="list-style-type: none"> <li>1. Keep steam cleaner level during use.</li> <li>2. Empty the water from tank and refill with 300ml (10oz) of water.</li> </ol>

## SERVICE

If you need further assistance:

If your product needs servicing within the warranty period, please contact Customer Service at 1-800-944-9200; Mon-Fri 8am-7pm EST. Always identify your steam cleaner by the complete



model number when requesting information or ordering parts. (The model number of the steam cleaner is located on the data plate)

PLEASE DO NOT RETURN THIS STEAM CLEANER TO THE STORE.

## **WARRANTY**

### **LIMITED TWO YEAR WARRANTY (Domestic Use)**

#### **WHAT THIS WARRANTY COVERS**

When used and maintained in normal household use in accordance with the Owner's Manual, your HOOVER® steam cleaner is warranted against original defects in material and workmanship for a full two years from date of purchase (the "Warranty Period"). During the Warranty Period, Hoover® will provide replacement steam cleaner or parts, at no cost to you, to correct any such defect in steam cleaners purchased in the United States, U.S. Military Exchanges and Canada.

#### **HOW TO MAKE A WARRANTY CLAIM**

If this steam cleaner is not as warranted, call 1-800-944-9200 OR visit Hoover® online at [www.hoover.com](http://www.hoover.com). For additional assistance or information concerning this Warranty, phone the Hoover® Consumer Response Center, Phone 1-800-944-9200, Mon-Fri 8am-7pm EST.

#### **WHAT THIS WARRANTY DOES NOT COVER**

This Warranty does not cover: use of the steam cleaner in a commercial operation (such as maid, janitorial and equipment rental services), pads, filter, improper maintenance of the steam cleaner, damage due to misuse, acts of God, nature, vandalism or other acts beyond the control of Hoover®, owner's acts or omissions, use outside the country in which the steam cleaner was initially purchased and resales of the steam cleaner by the original owner. This warranty does not cover pick up, delivery, transportation or house calls. This warranty does not apply to steam cleaners purchased outside the United States, including its territories and possessions, outside a U.S. Military Exchange and outside of Canada. This warranty does not cover steam cleaners purchased from a party that is not an authorized retailer, dealer, or distributor of Hoover® steam cleaners.

#### **OTHER IMPORTANT TERMS**

This Warranty is not transferable and may not be assigned. This Warranty shall be governed and construed under the laws of the state of Ohio. The Warranty Period will not be extended by any replacement or repair performed under this Warranty.

THIS WARRANTY IS THE EXCLUSIVE WARRANTY AND REMEDY PROVIDED BY HOOVER®. ALL OTHER WARRANTIES, EXPRESSED OR IMPLIED, INCLUDING WARRANTIES OF MERCHANTABILITY OR FITNESS FOR PARTICULAR PURPOSE, ARE DISCLAIMED. IN NO EVENT WILL HOOVER BE LIABLE FOR ANY SPECIAL, INDIRECT, INCIDENTAL OR CONSEQUENTIAL DAMAGES OF ANY KIND OR NATURE TO OWNER OR ANY PARTY

CLAIMING THROUGH OWNER, WHETHER BASED IN CONTRACT, NEGLIGENCE, TORT OR STRICT STEAM CLEANERS LIABILITY OR ARISING FROM ANY CAUSE WHATSOEVER. Some states do not allow the exclusion of consequential damages, so the above exclusion may not apply to you. This warranty gives you specific rights; you may also have others that vary from state to state.

**Warning**

This content is compiled from multiple sources and is provided for reference purposes only. It may not be complete or fully applicable to all situations. If you are unable to resolve your issue, please contact the product manufacturer or an authorized service provider for official support.

