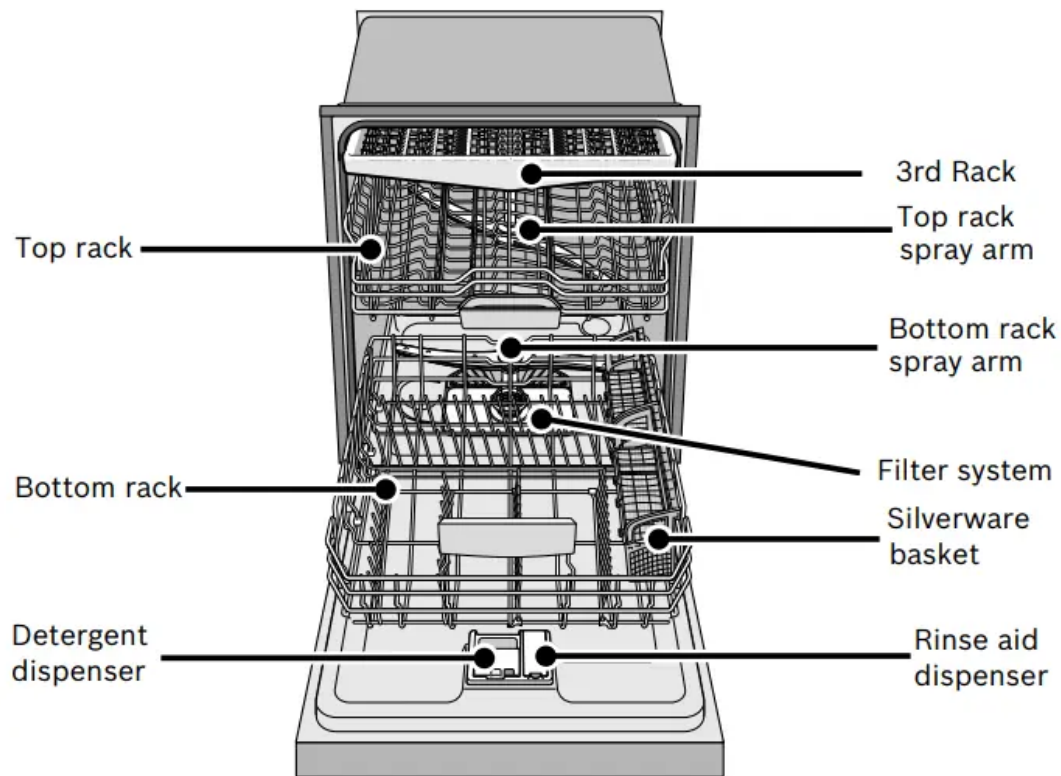


## Dishwasher Components

	Wash Cycles					
Model	Heavy	Auto	Eco	Normal	Express	Rinse
SHE65T5xUC*						
SHX65T5xUC*						
SHP65T5xUC*	•	•		•	•	•
SHP65T7xUC*						
SHP65TLxUC*						
<hr/>						
SHE68T5xUC*						
SHE68TLxUC*						
SHX68T5xUC*	•	•	•	•	•	•
SHX68TLxUC*						
SHV68T53UC						
SHV68TL3UC						

	Additional Features								
Model	Delay	Speed Perfect™	Half Load	Delicate	Sanitize	Extra Shine™	3rd Rack	InfoLight®	Silverware Basket
SHE65T5xUC*									
SHP65T7xUC*	•		•	•	•	•	•		Long
SHE68T5xUC*									
<hr/>									
SHX65T5xUC*									
SHP65T5xUC*	•		•	•	•	•	•	•	Long
SHX68T5xUC*									
SHV68T53UC									
<hr/>									
SHP65TLxUC*	•	•		•	•	•	•	•	Duo-Flex
<hr/>									
SHE68TLxUC*	•	•	•	•	•	•	•		Duo-Flex
<hr/>									
SHX68TLxUC*	•	•	•	•	•	•	•	•	Duo-Flex
SHV68TL3UC									





## Dishware Materials

NOTE: Before using your dishwasher for the first time, check the information in this section. Some items are not dishwasher safe and should be hand washed; others require special loading.

### Recommended:

**Aluminum:** Colored anodized aluminum may fade over time. Minerals in your water may cause the aluminum to darken or spot. This can usually be removed with a soap-filled steel wool pad.

**China, Crystal, Stoneware:** Some hand-painted utensils may discolor, fade or spot. Hand wash these utensils. Position fragile glassware so that it will not fall over or come in contact with other utensils during the wash cycle.

**Glass:** Milk glasses may discolor or become yellow.

**Non-stick Coatings:** Apply a light coating of vegetable oil to non-stick surfaces after drying.

**Plastics:** Make sure the plasticware is dishwasher safe.

**Stainless Steel, Sterling Silver and Silver Plates:** Load these so they do not come in contact with other metals.

### Not Recommended:

**Acrylic:** Crazeing, small cracks throughout the acrylic, may occur.

**Adhesive-Joined Pieces:** Adhesives that join materials such as plastic, wood, bone, steel, copper, tin, etc. may loosen.

Bone-Handled Utensils: Handles may separate.

Iron: Iron will rust. Hand wash and dry immediately.

Non-Dishware Items: Your dishwasher is intended for use in cleaning ONLY standard household dishware and kitchenware.

Pewter, Brass, Bronze: These items will tarnish. Hand wash and dry immediately.

Tin: Tin will stain. Hand wash and dry immediately.

Wood: Wooden bowls, wooden utensils and utensils with wooden handles can crack, warp and lose their finish.

## **Loading the Dishwasher**

Do not pre-wash items with loosely attached soiling. Remove all food particles, bones, toothpicks and excessive grease. Items having burned-on, baked-on or starchy soils may require some pretreatment. Refer to the Dishware Materials section for more information about dishware suitability.

Load only dishwasher safe items into the dishwasher. Load dishes in the dishwasher racks so the insides of bowls, pots and pans are facing the spray arms as shown. Avoid nesting and contact points between dishes. Separate items of dissimilar metals. Use care to not block movement of the spray arms.

### **Loading the Top Rack**

Ensure items do not protrude through the bottom of the racks and block the spray arms.

Note: When pushing the top rack into the dishwasher, push it until it stops against the back of the tub so the top rack spray arm connects to the water supply at the back of the tub. Do not push racks in using the door

### **Loading the Bottom Rack**

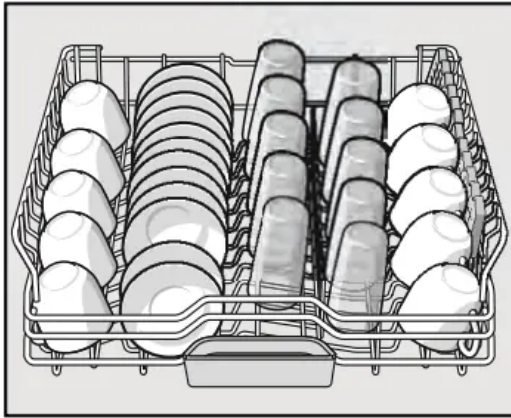
Place large items in the bottom rack. Load pots, pans and bowls upside down. Do not block vent with tall baking sheets. Load these items on the left side of the dishwasher.

### **Unloading the Dishwasher**

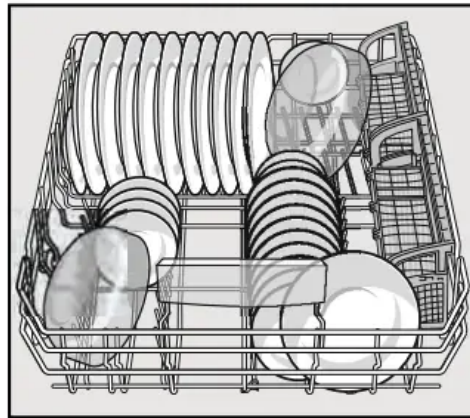
When unloading the dishwasher it is best to unload the bottom rack first. Next, unload the silverware basket followed by the top rack.

**Suggested Loading Pattern**

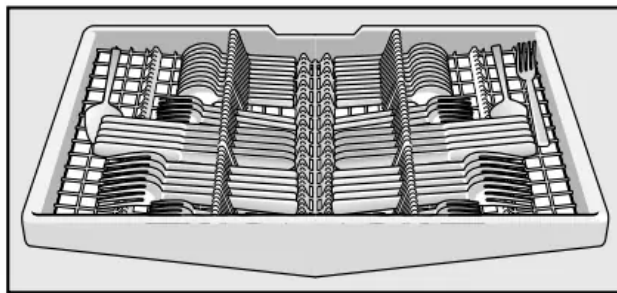
Top Rack



Bottom Rack

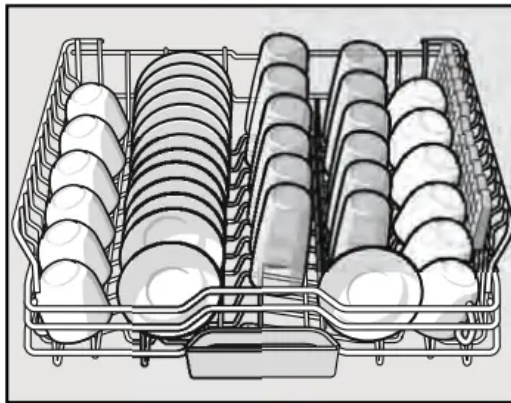


3rd Rack

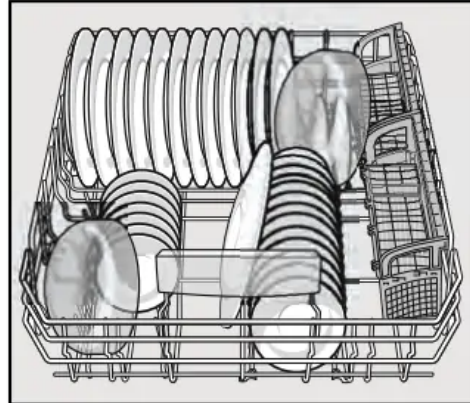


**Additional Loading Pattern**

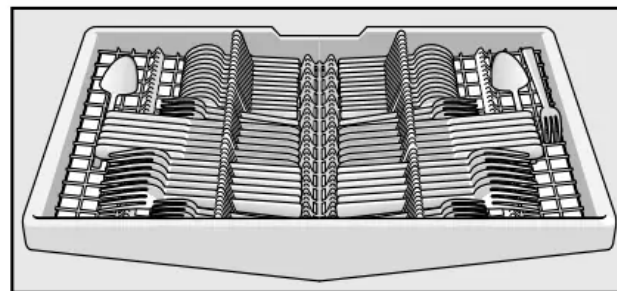
Top Rack



Bottom Rack



3rd Rack

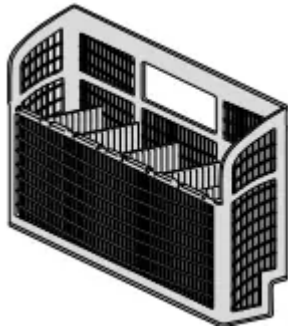


## Loading the Silverware Basket

Place knives and sharp utensils with their HANDLES UP and forks and spoons with their handles down. If large or oddly-shaped items are loaded in the silverware basket, be sure they do not nest together.

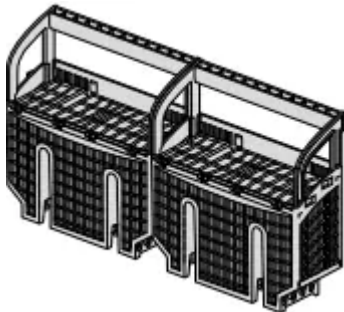
### The Long Silverware Basket

The long silverware basket fits along the side of the lower rack.



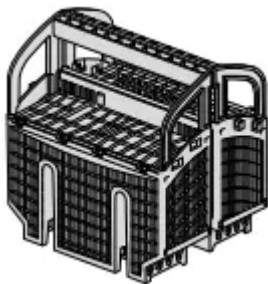
### The Duo-Flex Silverware Basket

This basket splits along its length, resulting in two halves that may be placed in a variety of positions in the lower rack, greatly increasing the lower rack's loading versatility. The basket snaps together either back to back or end to end as shown.

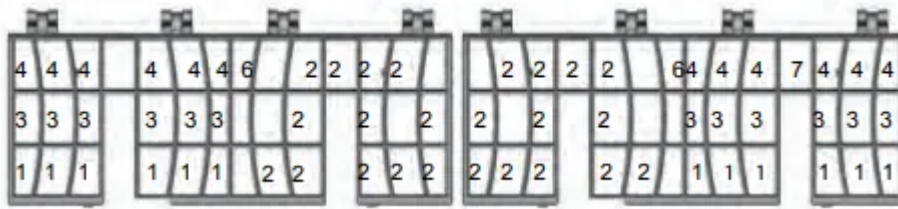


### To split the Duo-Flex Silverware Basket

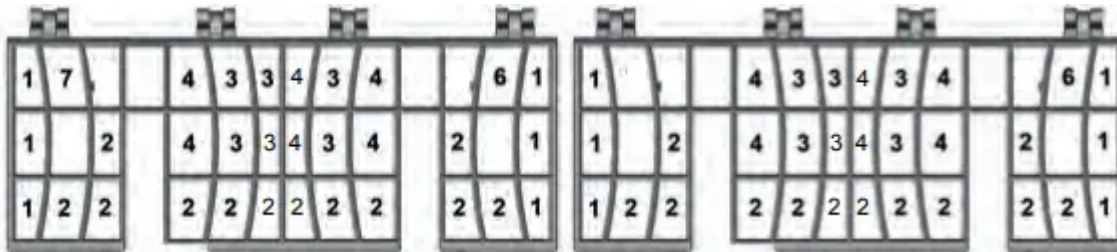
Grasp the basket and slide the two halves in opposite directions as shown at right and then pull the two halves apart.



## Loading pattern for Long Silverware Basket



## Loading pattern for Duo-Flex Silverware Basket



The basket lid may also be snapped to the handle in order to leave the basket open.



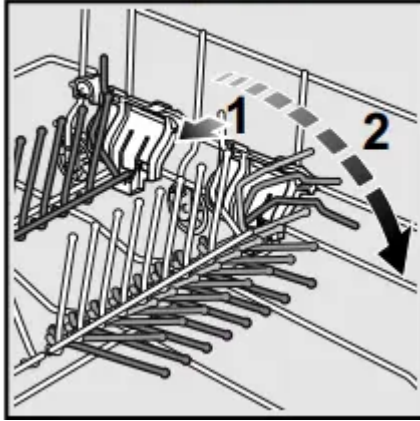
- 1- salad fork
- 2- teaspoon
- 3- dinner fork
- 4- knife
- 5 - tablespoon
- 6 - serving spoon
- 7 - serving fork

## Rack Accessories

### Flip Tines

The racks consist of tines that can be folded down depending on what you may need to load in the rack. To fold down, grasp the folding tine and release from notch. Push folding tine downward to desired position as shown in **Figure 1**.

**Figure 1**



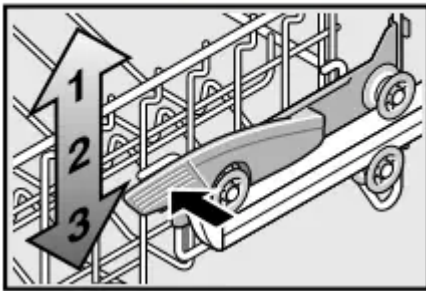
### **RackMatic®**

The height of the upper rack can be adjusted in 3 steps to create more space.

1. Pull the top rack out of the dishwasher until it stops.
2. To lower the rack, push the lever inward.
3. To raise the rack, hold the basket on the sides of the upper rack and lift up.

---

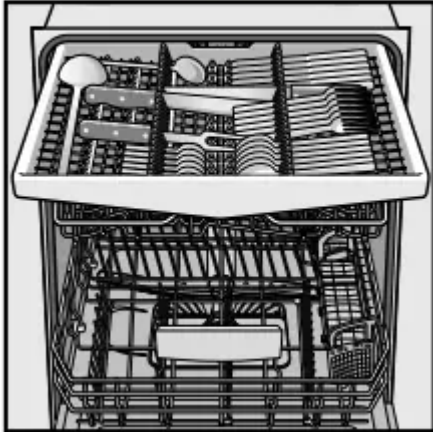
**Figure 2**



### **3rd Rack**

The 3rd Rack horizontally positions knives, spatulas and other oversized tools for improved cleaning and easier loading and unloading. Arrange cutlery in 3rd Rack as illustrated in **Figure 3**.

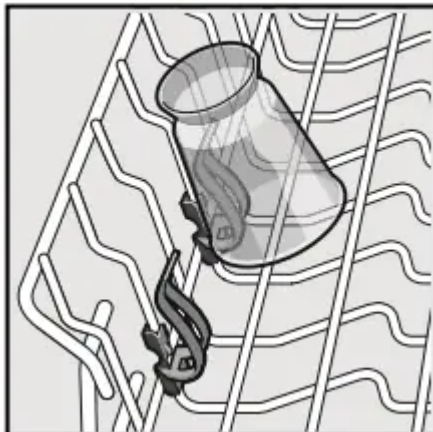
**Figure 3**



**Plastic Item Clips**

Light-weight plastic accessories (cups, lids, etc.) can be held securely by the plastic item clips. See Figure 4.

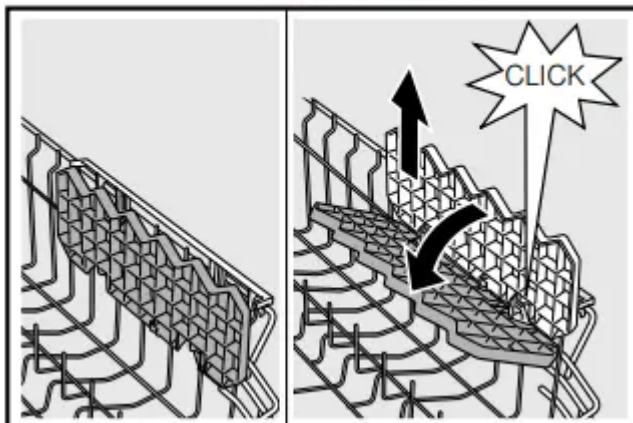
**Figure 4**



**Cup Shelves**

The shelf and the space underneath can be used for small cups or for larger serving utensils.

**Figure 5**



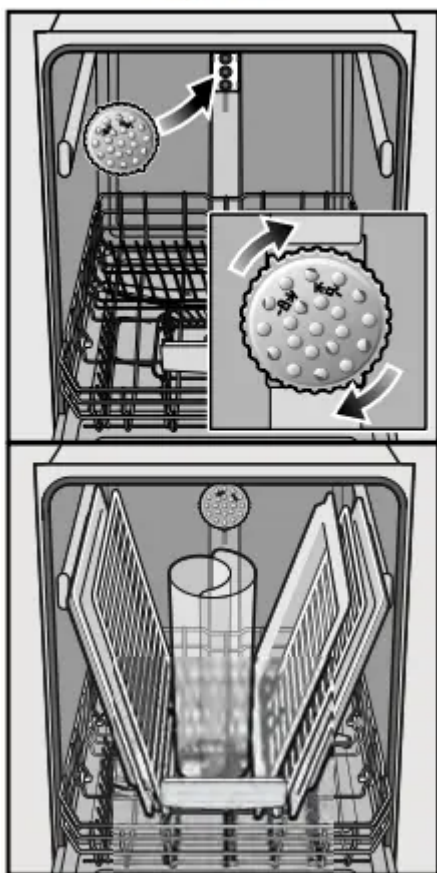
## Extra Tall Item Sprinkler

If an item is too tall to be placed in the bottom rack even with the top rack in the raised position, remove the empty top rack by pulling it out of the dishwasher until it stops. Pull the front of the rack upward and outward until the rollers are completely free of the roller guides.

Set the top rack aside and push the roller guides back into the dishwasher. Insert the Extra Tall Item Sprinkler into the top rack spray outlet and turn the sprinkler clockwise to lock into position. See **Figure 6**.

*Note: Keep the vent on the tub's right side clear by placing tall items such as plastic cutting boards and tall baking sheets on the bottom rack's left side or center.*

**Figure 6**



## Adding Detergent and Rinse Aid

### Detergent

Use only detergent specifically designed for dishwashers. For best results, use fresh powdered dishwashing detergent or detergent tabs.

This dishwasher uses less water than most, therefore, less detergent is required. With soft water, 1 tablespoon (15ml) of detergent will clean most loads. The detergent dispenser cup has lines that

measure detergent to 1 tablespoon (15ml) and 1.75 tablespoons (25ml). 3 tablespoons (45ml) of detergent will completely fill the detergent dispenser.

*Note: If you do not know the hardness of your water supply, use 15ml of detergent. Increase the amount if necessary to the least amount required to get your kitchenware clean.*

Use the measuring lines in the detergent dispenser cup as a guide to measure the amount of detergent recommended in **Table 1**.

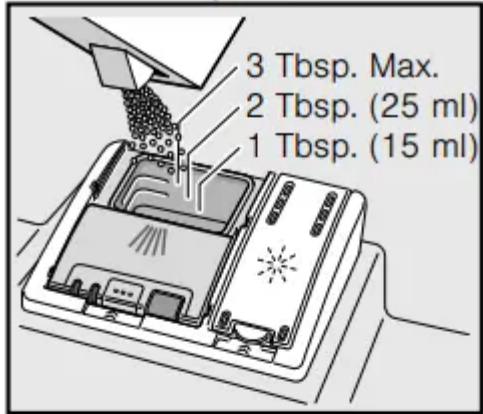
### **Adding Detergent**

- 1 tablespoon (15ml) will clean most loads.
- Do not over fill the detergent dispenser.
- When using detergent tabs, lay them such that they do not come in contact with the cover.

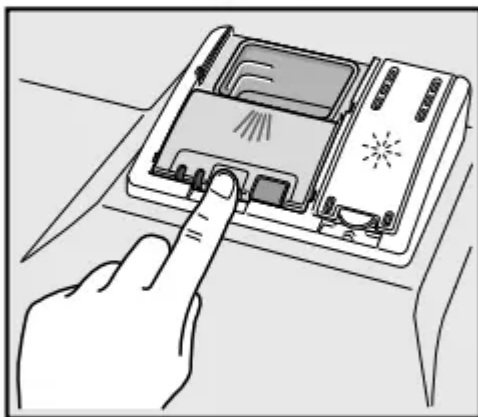
### **To Close**

- Place finger as shown in **Figure 8**.
- Slide door closed and press down firmly until it clicks.

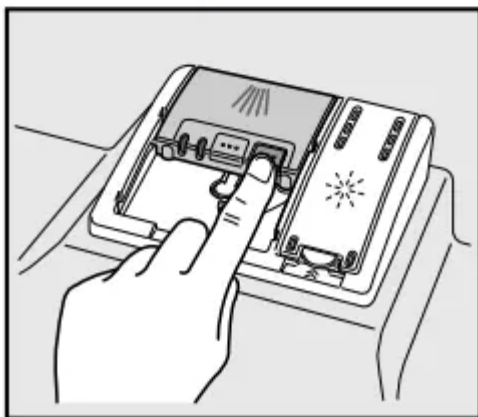
**Figure 7**



**Figure 8**



**Figure 9**



**To Open**

- Push the button as shown in **Figure 9**. Cover will slide open

**Table 1 - Recommended Detergent Amount**

<b>Wash Cycle</b>	<b>Hard Water/ Heavy Soil</b>	<b>Medium Water/ Medium Soil</b>	<b>Soft Water/ Little Soil</b>
Heavy	45ml (3tbsp)	45ml (3tbsp)	25-45ml (1.75-3tbsp)
Auto	25-45ml (1.75-3tbsp)	25ml (1.75tbsp)	15-25ml (1-1.75tbsp)
Eco	25ml (1.75tbsp)	15-25ml (1-1.75tbsp)	15ml (1tbsp)
Normal	25-45ml (1.75-3tbsp)	25ml (1.75tbsp)	15-25ml (1-1.75tbsp)
Express	25ml (1.75tbsp)	15-25ml (1-1.75tbsp)	15ml (1tbsp)
Rinse	none	none	none

### **Rinse Aid**

To achieve proper drying, always use a liquid rinse aid, even if your detergent contains a rinse aid or drying additive.

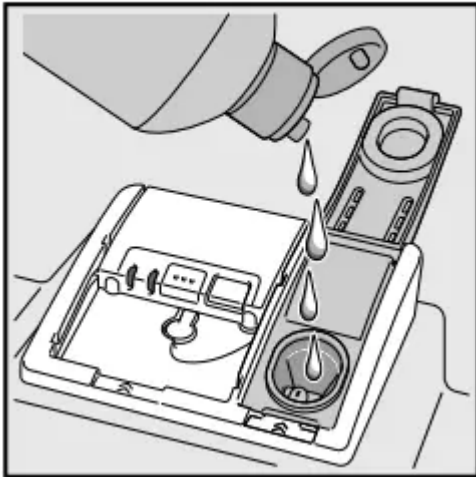
*Note: The dishwasher indicates low rinse aid by turning on the "Add Rinse Aid" indicator light. If this light is on, you need to refill the rinse aid dispenser by following the directions below.*

### **Adding Rinse Aid**

1. Add liquid rinse aid to the dispenser until it is full (see Figure 10).
2. Close the lid. Lid must be fully closed until it clicks in order to seal.
3. Wipe up any excess rinse aid that may have puddled when the dispenser reservoir is full.

The indicator light will go out a few moments after the dishwasher door is shut. See next page for instruction on how to adjust the amount of rinse aid dispensed.

**Figure 10**



### Setting the amount of rinse aid used

The amount of rinse aid dispensed can be set from “r:00” to “r:06”.

1 Press the **[On/Off]** button.

2 Hold down the “**A**” button (see page 16) and press **[Start]** until the display indicates “**d:00**”. Release both buttons.

3 Press the “**A**” button until the display shows “**r:05**”.

4 Press the “**C**” button to select the desired setting.

“r:00” = dispenser is OFF “r:04” = medium/high setting

“r:01” = lowest setting “r:05” = high setting

“r:02” = low setting “r:06” = highest setting

“r:03” = medium setting

5 Press **[Start]** to save the setting.

*Note: Using rinse aid and setting the dispenser to “r:00” may result in longer cycle times.*

## Dishwasher Cycles and Options

### Wash Cycles

**Heavy:** Best for cleaning items with baked-on food or grease. These dishes would normally require soaking.

**Auto:** With our most complex soil sensing capability, this cycle is perfect for use with mixed loads of dishware and varying amounts of food soil. This is the most flexible cycle and is a good choice for everyday use. **Eco\*:** Best for delicate dishes and glasses, the Eco cycle lowers temperature and cycle length to decrease energy usage.

**Normal:** Thoroughly cleans a full load of normally soiled dishes.

*Note: The Energy Guide Label was based on this soil sensing cycle with all available options turned off. As prescribed in the energy test procedure, the unit was tested without any Rinse Aid in the Rinse Aid dispenser. A single dose of detergent was used in the Detergent Dispenser, with no detergent used in the prewash. For models with a 3rd rack, the test was conducted with the upper rack in the middle position.*

**Express:** Cleans lightly soiled dishes and reduces overall wash time. Use this cycle to clean glasses and dessert dishware that may need to be reused at the same event.

**Rinse:** Allows you to rinse food soil off of a partial load and hold the dishes in the dishwasher until you are ready to run a full load. Do not use detergent in this cycle.

## Wash Cycle Options

**Delay:** Allows you to delay the start time of your dishwasher up to 24 hours.

**SpeedPerfect™\*:** Reduces cycle time by up to 25% while maintaining cleaning performance.

**Half Load\*:** Can reduce water consumption when washing small, lightly soiled loads that fill approximately half of the dishwasher's capacity. **Delicate:** Available only in the Heavy, Auto and Normal cycles. This cycle is best used for lightly soiled items with easy to remove food soils.

**Sanitize:** Available only in the Heavy, Auto and Normal cycles. The sanitize LED will light when sanitation requirements are met. The technical sanitation measures may also improve the drying results.

*Note: The dishwasher automatically defaults to Auto Wash when turned off and back on. If you used the sanitize option in your last cycle, the dishwasher will default to Auto Wash with the Sanitize option selected when you turn it on.*

**ExtraShine™:** Used in combination with a wash cycle (except Rinse), the Extra Shine option raises the temperature and extends the drying time to further enhance drying results and provide a brilliant shine.

\*model dependent

## Operating the Dishwasher



NOTE: For models with hidden controls, the door must be opened before changing settings and closed after changing settings.

Buttons are sensitive and should be touched gently. Avoid any grease or food particles resting on the buttons as they could activate the dishwasher. Wiping and cleaning can also activate the dishwasher. For best results, use bare, clean hands when touching the buttons.

NOTICE: Use caution when opening door during a running cycle. Hot water may splash out. Open door slowly.

### Start the dishwasher

1. Press the **[On/Off]** button. The LED of the last selected cycle flashes.
2. Select a cycle and desired options and press **[Start]**.

### Cancel a cycle

1. Press and hold the **[Start]** button for approximately 3 seconds until the display reads **"0:01"**.
2. Wait about 1 minute while the dishwasher drains.
3. Open the door and press the **[On/Off]** button.

### Interrupt a cycle

1. Press the **[On/Off]** button to turn the unit off.
2. To resume the cycle, press the **[On/Off]** button again.

### Delay Start

You can delay the start of the cycle in one hour increments up to 24 hours.

To set delay start:

1. Press the **[On/Off]** button. Select a cycle.
2. Press the **[Delay]** button until the displayed time corresponds with your requirements and press **[Start]** to activate delay start.

**h:01** = 1 hour delay

**h:24** = 24 hour delay

To cancel delay start:

1. Press the **[Delay]** button until **"h:00"** is indicated on the digital display.
2. Press **[Start]** to save setting.

### Cycle Completion Signal (hidden controls only)

1. Open the door and press the **[On/Off]** button.
2. Hold down the **"A"** button (see page 16) and press **[Start]** until the display indicates **"d:00"**. Release both buttons.
3. Press the **"A"** button until the display shows **"b:02"**.

4. Press the “**C**” button to increase or decrease the tone “**b:00**” = OFF and “**b:03**” = LOUDEST and press [**Start**] to save setting and close the door.

### **Intensive Drying**

The final rinse uses a higher temperature which improves the drying results. The running time may increase slightly.

To turn intensive drying on:

1. Press the [**On/Off**] button.
2. Hold down the “**A**” button and press [**Start**] until the display indicates “**d:00**”. Release both buttons
3. Press the “**A**” button until the display shows “**d:00**”.
4. Press the “**C**” button to turn intensive drying on or off. “**d:01**” = ON

### **Auto Power Off**

To save energy, the dishwasher is turned off 1 minute after the wash cycle ends. Auto Power Off can be adjusted from P:00 to P:02.

To change the factory setting (P:01):

1. Press the [**On/Off**] button.
2. Hold down the “**A**” button and press [**Start**] until the display indicates “**d:00**”. Release both buttons.
3. Press the “**A**” button until the display indicates “**P:01**”.
4. Press the “**C**” button until the display corresponds with your requirements.

**P:00** = dishwasher does not turn off automatically

**P:01** = dishwasher turns off automatically after 1 minute

**P:02** = dishwasher turns off automatically after 120 minutes (2 hours)

5. Press [**Start**] to save the setting.

### **InfoLight® (model dependent)**

An LED illuminates the floor to indicate the unit is running. If the appliance is installed at eye-level, the LED is not visible.

To change the setting:

1. Open the door and press the [**On/Off**] button.
2. Hold down the “**A**” button and press [**Start**] until the display indicates “**d:00**”.
3. Release both buttons.
4. Press the “**A**” button until the display shows “**1:01**”.

5. Press the “**C**” button to switch between “**1:01**” = ON and “**1:00**” = OFF and press [**Start**] to save.

## Language

To change the language of the display follow these instructions.

1. Open the door and press the [**On/Off**] button.
2. Hold down the “**A**” button and press [**Start**] until the display indicates “**d:00**”.
3. Release both buttons.
4. Press the “**A**” button until the display shows “**L:01**”.
5. Press the “**C**” button until the display corresponds with your requirements.

**L:02** = English

**L:03** = French

**L:07** = Spanish

6. Press [**Start**] to save and close the door.

## Care and Maintenance

A regular inspection and maintenance of your machine will help to prevent faults. This saves time and prevents possible future problems.

### Overall condition of the machine

Never use a steam cleaner to clean your dishwasher. The manufacturer is not responsible for any consequential damage. Regularly wipe the front of the appliance with a damp cloth - water and a small amount of liquid soap is adequate. Do not use sponges with a rough surface or abrasive detergents, as these could scratch the surfaces.

Stainless steel appliances: To prevent corrosion, avoid using sponge cloths or chlorine based cleaners. Use a stainless steel polish to seal and protect the surface.

Clean the outer edges of the inside door panel regularly to remove debris that may collect from normal loading. If spots begin to appear on the stainless steel, make sure the rinse agent is full and functioning properly.

### Filters

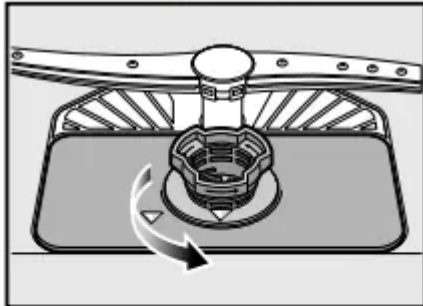
The filter system consists of a coarse filter, a flat fine filter and a micro filter. The filters keep large foreign objects in the rinsing water away from the pump. Foreign objects may occasionally block the filters.

Check the filters for residue by:

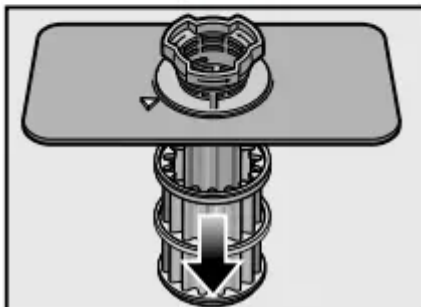
- Unscrew the filter cylinder as illustrated in Figures 11-12 and take out the filter system.

- Remove any residue and clean filters under running water.
- Reinstall filter system in reverse sequence and ensure that the arrow marks are facing each other after locking it into place.

**Figure 11**



**Figure 12**

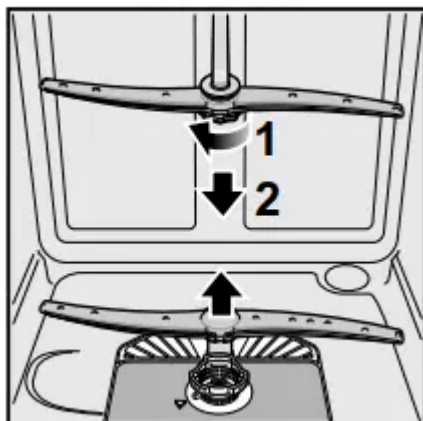


### Spray Arms

Check spray arms for grease and limescale deposits. If you find such deposits:

- Fill detergent dispenser with detergent and start the appliance without utensils in the cycle with the highest rinsing temperature (see wash cycle information table).
- Clean the appliance with detergents/appliance cleaners which are particularly suitable for use with dishwashers.
- Unscrew the spray arms and inspect as shown in Figure 13.

**Figure 13**

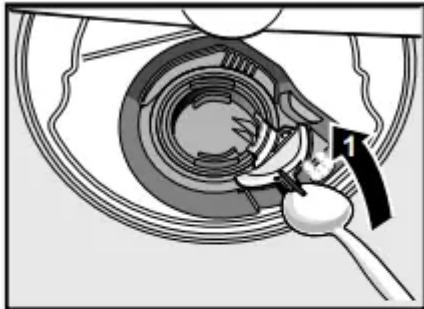


## Waste water pump

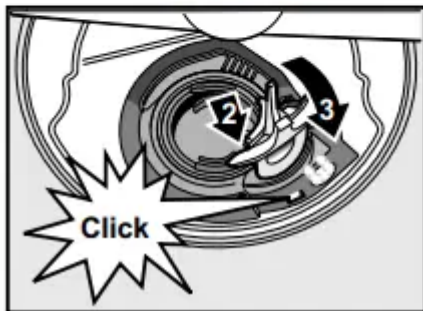
Large food remnants in the rinsing water not retained by the filters may block the waste water pump. In this case:

- Disconnect the appliance from the power supply.
- Remove the filters (see Figures 11-12).
- Scoop out standing water - use a sponge if necessary.
- Using a spoon, pry off the pump cover (see Figure 14-15) until it clicks, then grip the cover and pull upward until it resists and then pull forward.
- Check inner compartment and remove any foreign objects.
- Place cover in the original position, press down and engage.
- Reinstall filters.

**Figure 14**



**Figure 15**



## Preparing your Dishwasher for Vacation

Before leaving for vacation during warmer weather, besides turning off the main valve, also turn off water supply at the nearest point to the dishwasher. During colder weather, please follow the instructions for winterizing your unit below.

NOTICE

## Winterizing your Dishwasher

If your dishwasher will be unused for an extended period of time in a location that experiences freezing temperatures (holiday home or through a vacation period), have your dishwasher winterized by a professional servicer.

## **Self Help**

Dishwashers may occasionally exhibit problems that are unrelated to a mal function of the dishwasher itself. The following information may help you with a dishwasher problem without involving a repair professional.

Problem	Cause	Action
Dishwasher does not start	<ol style="list-style-type: none"> <li>1. Door may not be properly latched</li> <li>2. Unit may not be turned on</li> <li>3. Unit not reset or previous cycle not completed</li> <li>4. Delay start engaged</li> <li>5. Interruption of electrical power supply to dishwasher or blown fuse.</li> <li>6. The door may have been closed without first selecting a cycle</li> <li>7. Water supply may not be turned on</li> </ol>	<ol style="list-style-type: none"> <li>1. Shut the door completely un-</li> <li>2. Press the main power switch</li> <li>3. To reset, refer to “Cancel a</li> <li>4. To reset, refer to “Delay Sta</li> <li>5. Check circuit breaker</li> <li>6. Select a cycle and close the</li> <li>7. Check and turn on water su</li> </ol>
Display does not illuminate	<ol style="list-style-type: none"> <li>1. A fuse may have been blown or circuit breaker tripped</li> <li>2. Door not closed or latched <i>Note: For models with controls on top of the door, the display only illuminate when the door is opened and controls are visible.</i></li> </ol>	<ol style="list-style-type: none"> <li>1. Check the fuse or circuit breaker, replace the fuse or reset the breaker if needed</li> <li>2. Ensure door is properly latched</li> </ol>
Dishwasher seems to run a long time	<ol style="list-style-type: none"> <li>1. Incoming water is not warm enough</li> <li>2. Cycle time can vary due to soil and water conditions</li> <li>3. Rinse aid dispenser is empty</li> <li>4. Dishwasher connected to cold water supply</li> </ol> <p><i>Note: Refer to “Wash Cycle Information” section in this manual for typical cycle lengths.</i></p>	<ol style="list-style-type: none"> <li>1. Before starting a cycle, run hot water at the faucet closest to the dishwasher</li> <li>2. Sensors in the dishwasher may not detect a good water temperature during the cycle time to ensure a good wash</li> <li>3. Add rinse aid</li> <li>4. Verify dishwasher is connected to hot water plumbing</li> </ol>
Dishes are not getting clean enough	<ol style="list-style-type: none"> <li>1. Spray arm movement obstructed</li> <li>2. Spray arm nozzles clogged</li> <li>3. Improper use of detergents</li> <li>4. Filters could be clogged</li> <li>5. Dishes are nested or loaded too close together</li> <li>6. Selected wash cycle is not suitable for food soil conditions</li> </ol>	<ol style="list-style-type: none"> <li>1. Ensure that spray arm movement is not obstructed by rotating spray arms before starting cycle</li> <li>2. Remove the spray arms and clean them according to the “Cleaning and Maintenance” section of the manual</li> <li>3. Increase or decrease detergent amount according to water hardness</li> <li>4. Clean the filters according to the “Cleaning and Maintenance” section of the manual</li> </ol>



- |  |  |   |
|--|--|---|
|  |  | <ol style="list-style-type: none"><li>5. Rearrange load such that w<br/>in the dishwasher - see "Load<br/>the manual</li><li>6. Refer to "Wash Cycle Inform</li></ol> |
|--|--|---|



Streaks on glassware or residue on the dishes	1. Incorrect rinse aid setting	1. Depending on the agent dispenser. Refer section in the manual
Dishes are not getting dry enough	1. Rinse aid dispenser is empty 2. Improper loading of dishes <i>Note: Plastic or Teflon do not typically dry as well as other items due to their inherent properties.</i>	1. Add rinse aid - the use the Auto cycle, use 2. Rearrange load to "Loading the Dishwasher" <i>Note: Select models improve drying performance</i>
Odor	1. Food debris is present at the bottom of the dishwasher 2. Food particles are present near the door seal 3. Residual water is present at the bottom of the dishwasher 4. Drain hose is obstructed	1. Remove the filters "Maintenance" section 2. Refer to "Care and 3. Ensure the unit has cycle 4. Remove any obstruction qualified personnel. Manual/Regular cycle unit place an 8oz. cup of water top rack and then finish
Dishwasher not filling with water or "Check water supply" display lights up	1. Restriction in the water supply system 2. Previous wash cycle was not completed 3. Delay start is active 4. Household water supply turned off	1. Ensure that the water under kitchen sink) is line has no kinks or c 2. Refer to the "Operation manual 3. Cancel the delay start completes 4. Turn on water supply
Fascia panel discolored or marked	1. Abrasive cleaner used	1. Use mild detergent
Noise during wash properly	1. Dishes may not be arranged	1. Water circulation system items are banging into

cycle

refer to the “Loading  
for optimal arrangement

<p>Water leaks</p>	<ol style="list-style-type: none"> <li>1. Suds</li> <li>2. Door seal could be pulled away from track</li> <li>3. Condensation vent is blocked</li> <li>4. Improper installation</li> </ol>	<ol style="list-style-type: none"> <li>1. Wrong type of detergent res only dishwasher detergents. If a tablespoon of vegetable oil at and run the desired cycle.</li> <li>2. Ensure the door seal is in th</li> <li>3. Ensure that condensation v</li> <li>4. Have proper installation ver (water supaly, drain system, le</li> </ol>
<p>Tub stains</p>	<ol style="list-style-type: none"> <li>1. Stains on the dishwasher interior are due to water hardness</li> <li>2. Silverware in contact with tub</li> </ol>	<ol style="list-style-type: none"> <li>1. Concentrated lemon juice o 'stains'. Run Normal cycl the cycle ard then place an 8c lemon solution on the top rack be done periodically to avoid l</li> <li>2. Ensure that silverware does tub while running a cycle.</li> </ol>
<p>Detergent dispenser cover will not shut</p>	<ol style="list-style-type: none"> <li>1. Improper operation of detergent cover</li> <li>2. Previous cycle has not been finished or cycle was interrupted</li> </ol>	<ol style="list-style-type: none"> <li>1. Refer to “Adding Detergent manual for instructions on ope dispenser</li> <li>2. Refer to the “Operating the manual</li> </ol>
<p>Unable to desired cycle</p>	<ol style="list-style-type: none"> <li>1. Previous cycle has not finished</li> </ol>	<ol style="list-style-type: none"> <li>1. Refer to the “Operating the the manual</li> </ol>
<p>Touch sensitive “buttons” not activating easily or activating without being touched</p>	<ol style="list-style-type: none"> <li>1. Water or other liquid on the surface.</li> <li>2. “Buttons” not being activated properly.</li> </ol>	<ol style="list-style-type: none"> <li>1. Wiping the fascia may caus clean when possible. If you m dry immediately. Never pour w</li> <li>2. Press the center of the “but fingertip. A beep will sound to been made. Touching the “but</li> </ol>



*Note: There is a built in delay  
launching several actions at o  
their hand (or a cleaning cloth*

### **Warning**

This content is compiled from multiple sources and is provided for reference purposes only. It may not be complete or fully applicable to all situations. If you are unable to resolve your issue, please contact the product manufacturer or an authorized service provider for official support.

---

Document generated by [ManualsFile](#)