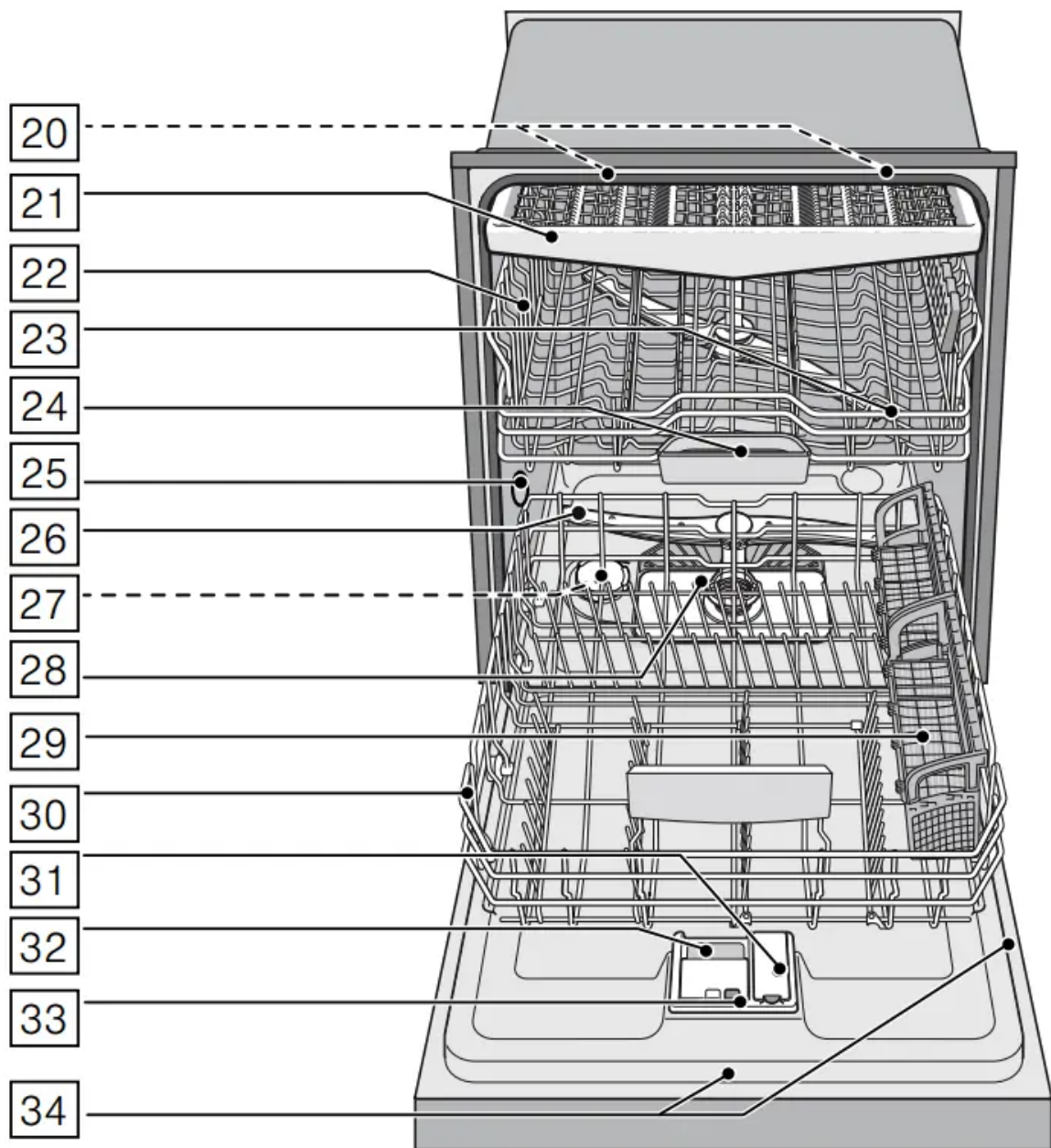


Not Recommended

Acrylic	Crazing or small cracks throughout the acrylic, may occur.
Adhesive-Joined Pieces	Adhesives that join materials such as plastic, wood, bone, steel, copper, tin, etc. may loosen.
Bone-Handled Utensils	Handles may separate.
Iron	Iron will rust. Hand wash and dry immediately.
Non-Dishware Items	Your dishwasher is intended for use in cleaning ONLY standard household dishware and kitchenware.
Pewter, Brass, Bronze	These items will tarnish. Hand wash and dry immediately.
Tin	Tin will stain. Hand wash and dry immediately.
Wood	Wooden bowls, wooden utensils and utensils with wooden handles can crack, warp and lose their finish.

Dishwasher User Manual

Parts



Operating panel

1. On/Off button
2. Wash cycles
3. Digital display
4. Delay start button
5. Wash cycle options
6. Start button

Dishwasher interior components

20 Interior light *	27 Dispenser for special salt*
21 Third rack	28 Filters
22 Upper rack	29 Silverware basket
23 Upper spray arm	30 Lower rack
24 Detergent tab tray	31 Rinse aid dispenser
25 Vent hole	32 Detergent dispenser
26 Lower spray arm	33 Lock for detergent dispenser
	34 Rating plate

Display indicators

0:00	Cycle time remaining
Clean	Lights up when dishes are clean
Sanitize	Lights up when sanitation requirements are met
Add Rinse Aid	Lights up when rinse aid is low

Menu overview



Use the function keys A, B and C to change the settings.

Setting	Factory setting	Description
<i>r</i> Rinse aid <i>r:00 - r:06</i>	<i>r:05</i>	Amount of rinse aid affects drying. When using Multitabs, select setting 0.
<i>d</i> Intensive drying <i>d:00 - d:01</i>	<i>d:00 / Off</i>	Improved drying for glasses and plasticware.
<i>b</i> Cycle completion signal <i>b:00 - b:03</i>	<i>b:02</i>	Signal sounds when wash cycle is complete.
<i>l</i> Info light <i>l:00 - l:01</i>	<i>l:01 / On</i>	Light is projected to signal an active wash cycle.
<i>P</i> Auto power off <i>P:00 - P:02</i>	<i>P:01</i>	Dishwasher switches off automatically after wash cycle is complete.

Rinse Aid

To achieve proper drying, always use a liquid rinse aid, even if your detergent contains a rinse aid or drying additive.

Note: The dishwasher indicates low rinse aid by turning on the Rinse Aid indicator on the display 3. If this indicator lights up, you need to refill the rinse aid dispenser 31 by following the directions below.

1. Open the rinse aid dispenser by pressing on the latch of the lid and pull it open.	
2. Add liquid rinse aid to the dispenser until it is full. Do not overfill.	
3 Close the lid. Lid must be fully closed until it clicks in order to seal.	
4 Wipe up any excess rinse aid that may have puddled when the dispenser reservoir is full. The indicator light will go out a few moments after the dishwasher door is shut. Tip: For easier pouring, remove lid from the rinse aid bottle.	

NOTICE

Do not fill the rinse aid dispenser with detergent. Doing so will damage the dishwasher.

Setting the amount of rinse aid used

1. Open the door.
2. Press the On/Off button
3. Hold down the function key and press the Start button until the display indicates **d:0x** (x can be any number).
4. Release both buttons.
5. Press the function key until the display shows **r:05**.
6. Press the function key to select the desired setting.
7. Press the Start button to save the setting.

Loading the Dishwasher

Dishware material

Recommended

Aluminum Colored anodized aluminum may fade over time.

Minerals in your water may cause the aluminum to darken or spot. This can usually be removed with a soap-filled steel wool pad.

China, Crystal, Stoneware

- Some hand-painted utensils may discolor, fade or spot. Hand wash these utensils.
- Position fragile glassware so that it will not topple over or come in contact with other utensils during the wash cycle.

Glass Milk glass may discolor or become yellow.

Non-stick Coatings

Apply a light coating of vegetable oil to non-stick surfaces after drying.

Plastics Make sure the plasticware is dishwasher-safe.

Stainless Steel, Sterling Silver and Silver Plates

Load these so they do not come in contact with other metals, stainless steel dishwasher tub walls or the inner door.

Not Recommended

Not Recommended	
Acrylic	Crazing or small cracks throughout the acrylic, may occur.
Adhesive-Joined Pieces	Adhesives that join materials such as plastic, wood, bone, steel, copper, tin, etc. may loosen.
Bone-Handled Utensils	Handles may separate.
Iron	Iron will rust. Hand wash and dry immediately.
Non-Dishware Items	Your dishwasher is intended for use in cleaning ONLY standard household dishware and kitchenware.
Pewter, Brass, Bronze	These items will tarnish. Hand wash and dry immediately.
Tin	Tin will stain. Hand wash and dry immediately.
Wood	Wooden bowls, wooden utensils and utensils with wooden handles can crack, warp and lose their finish.

Loading the racks

For best dishwashing results, observe the following when loading the dishwasher:

- Do not pre-wash items with loosely attached food soil.
- Remove all food particles, bones, toothpicks and excessive grease.
- Pre-treat items having burned-on, baked-on or starchy soils.
- Load dishes in the dishwasher racks so the insides of bowls, pots and pans are facing the spray arms.
- Avoid nesting and contact points between dishes.
- Separate items of dissimilar metals. Use care to not block movement of the spray arms.

- Only wash household dishware and kitchenware rated as dishwasher-safe.

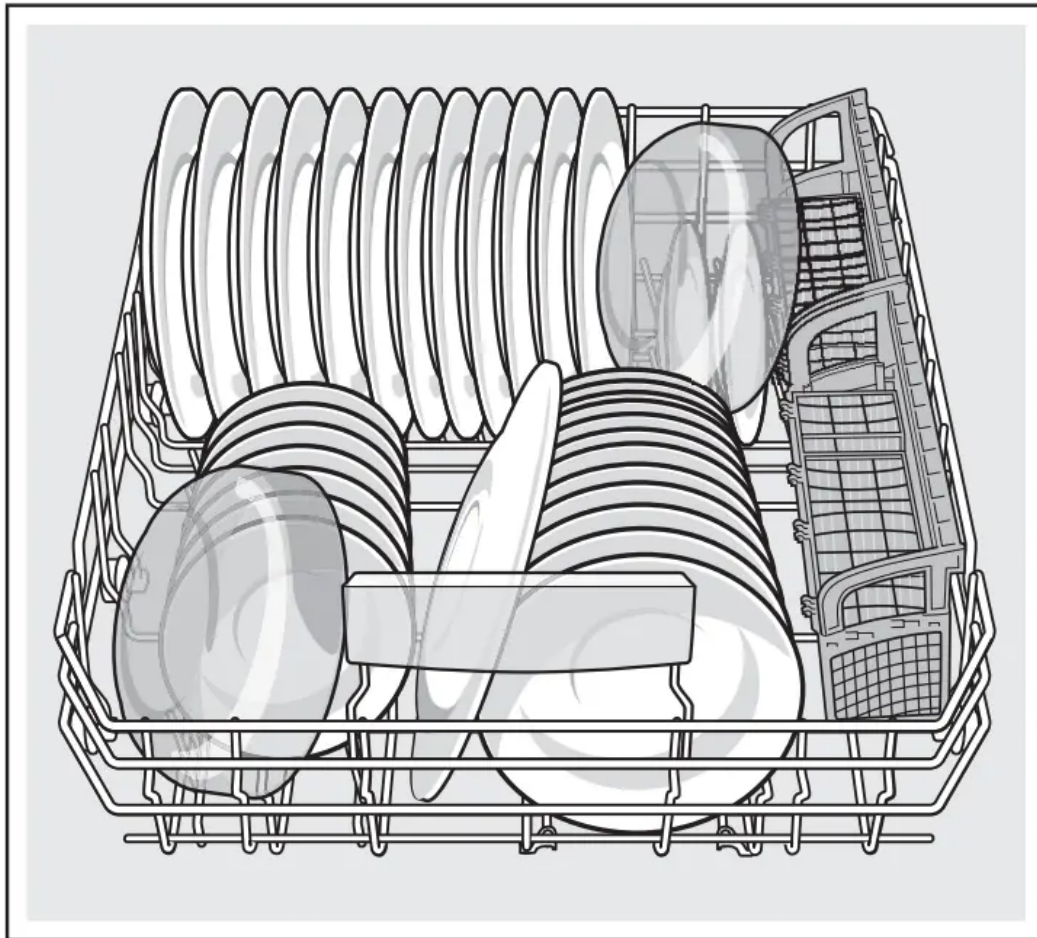
NOTICE

To avoid dishwasher damage, do not load the dishwasher with paper products, plastic bags, packing materials or anything other than normal, dishwasher safe dishware

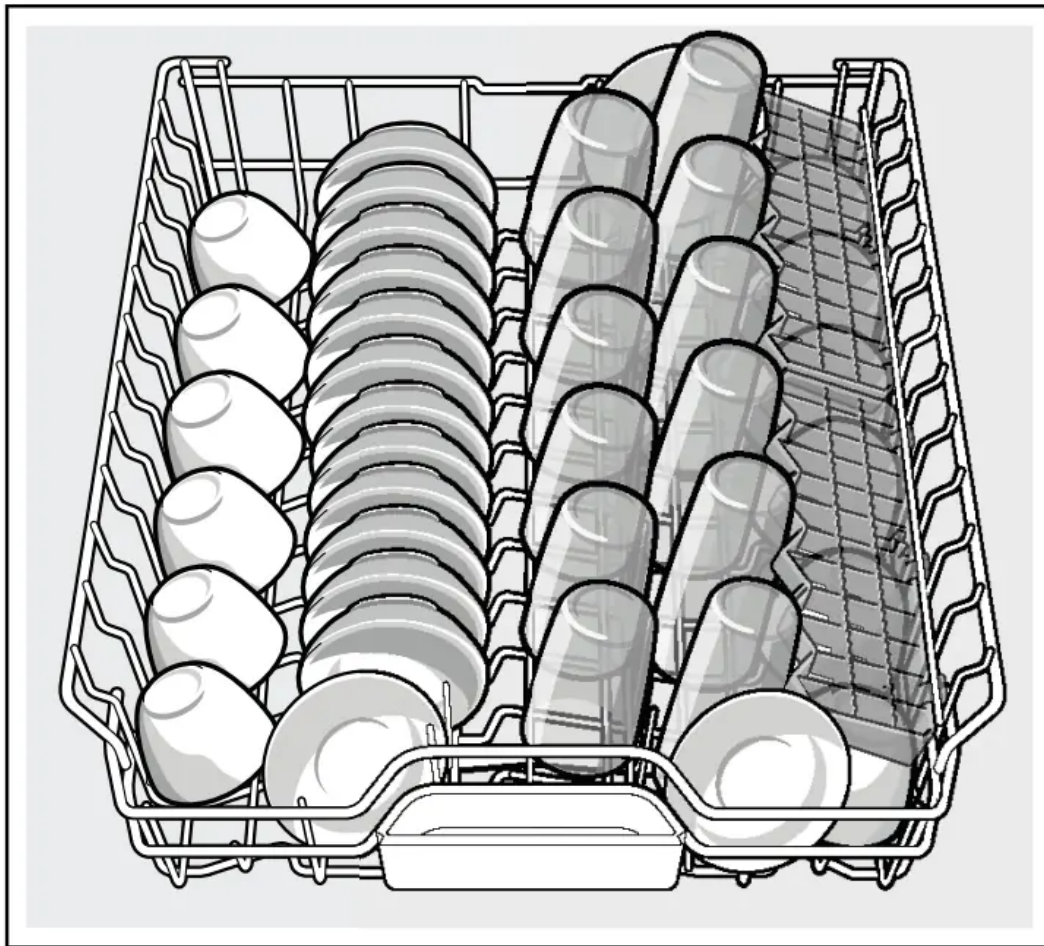
Recommended loading pattern

12 place setting

Lower rack (30)

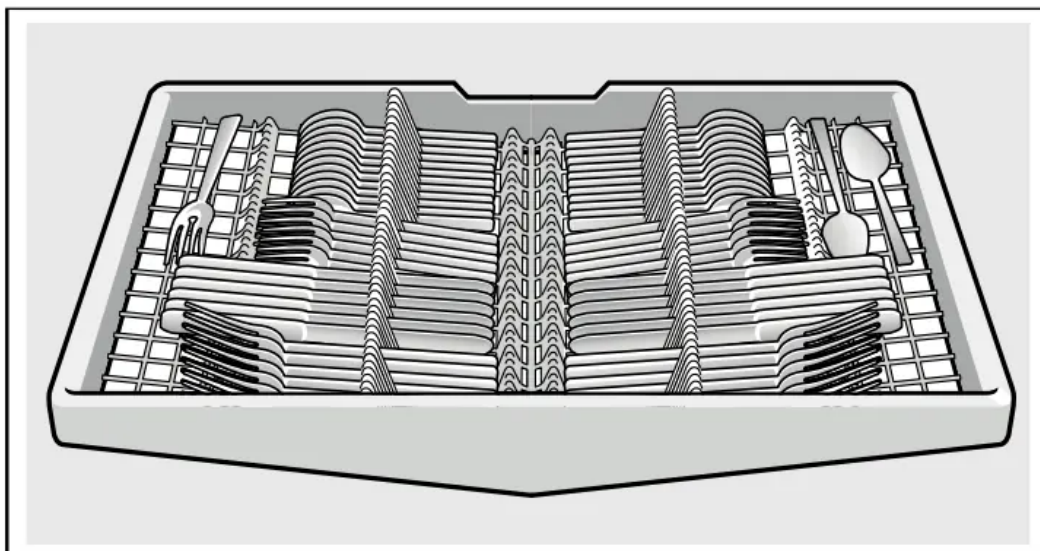


Upper rack (22)



Note: Folding the cup shelves down will allow the cups to sit at an increased angle and reduce water pooling on cup bottoms.

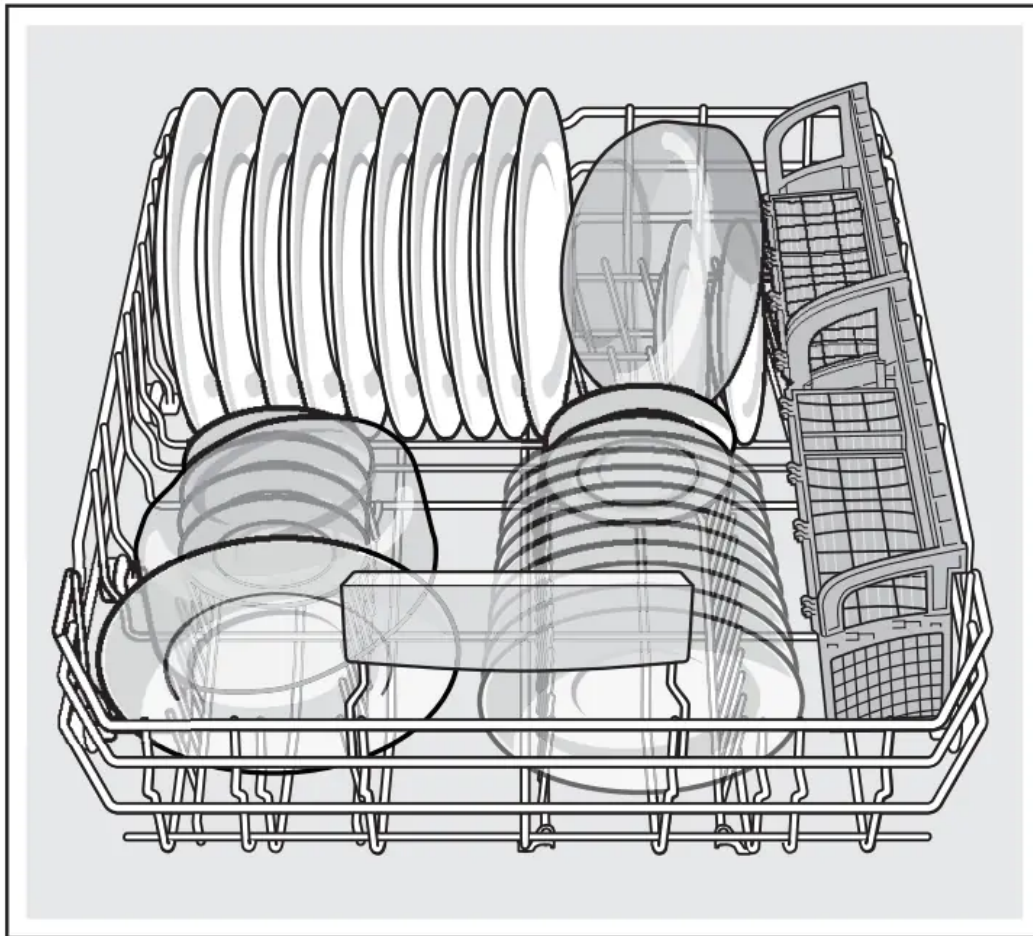
Third rack (21)



Additional loading pattern

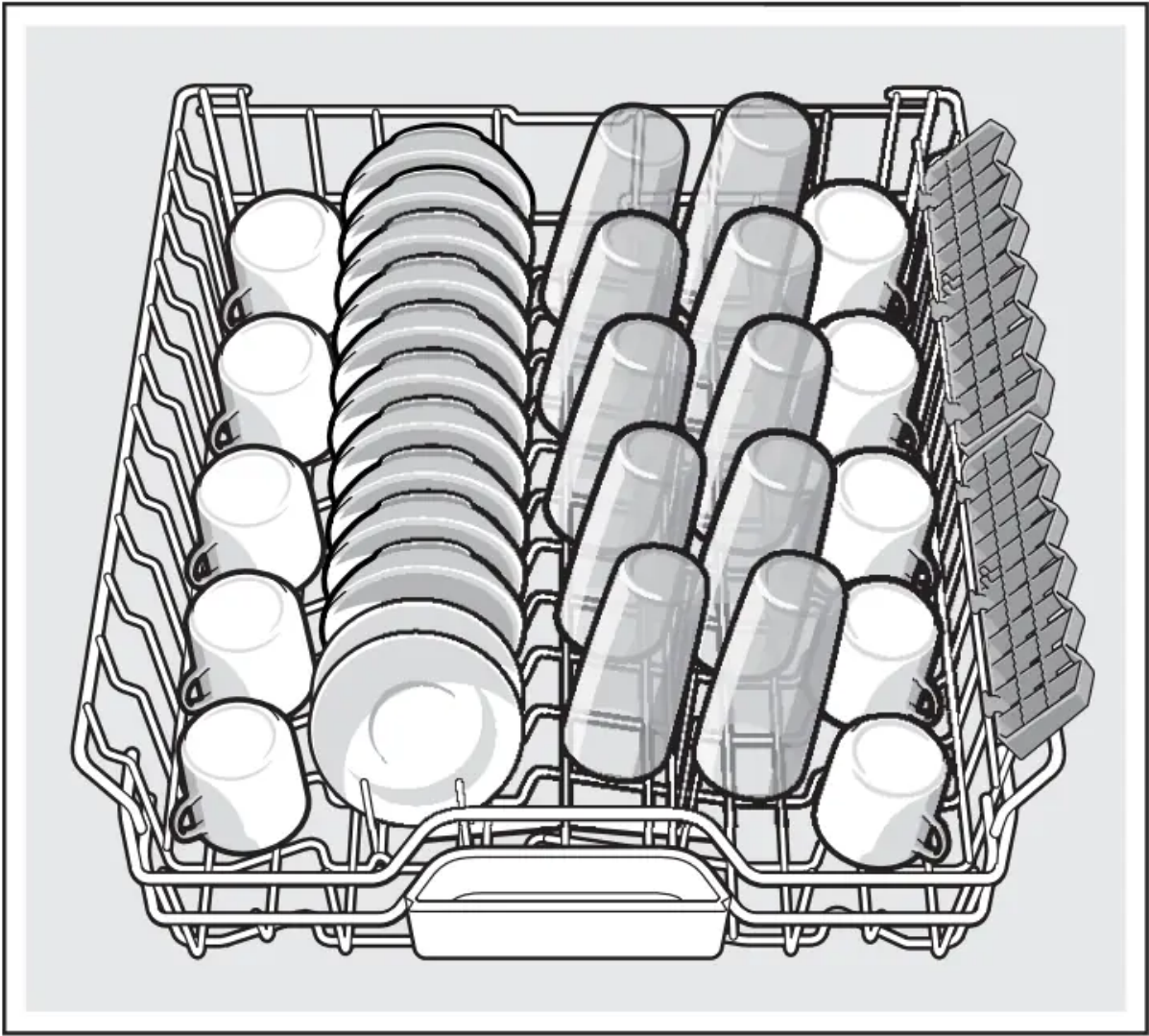
10 place setting

Lower rack (30)



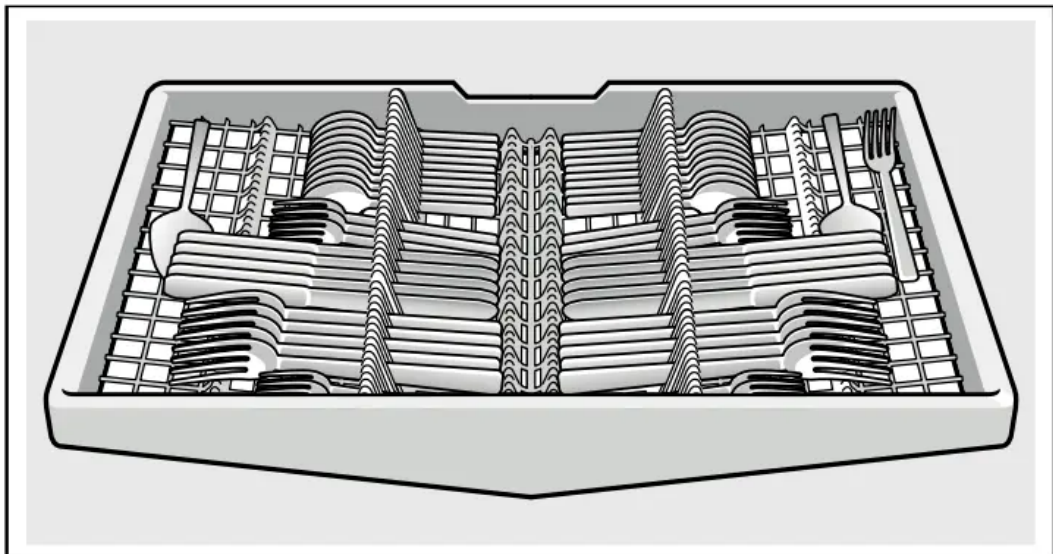
Upper rack (22)





Note: Folding the cup shelves down will allow the cups to sit at an increased angle and reduce water pooling on cup bottoms.

Third rack (21)



Loading the silverware basket

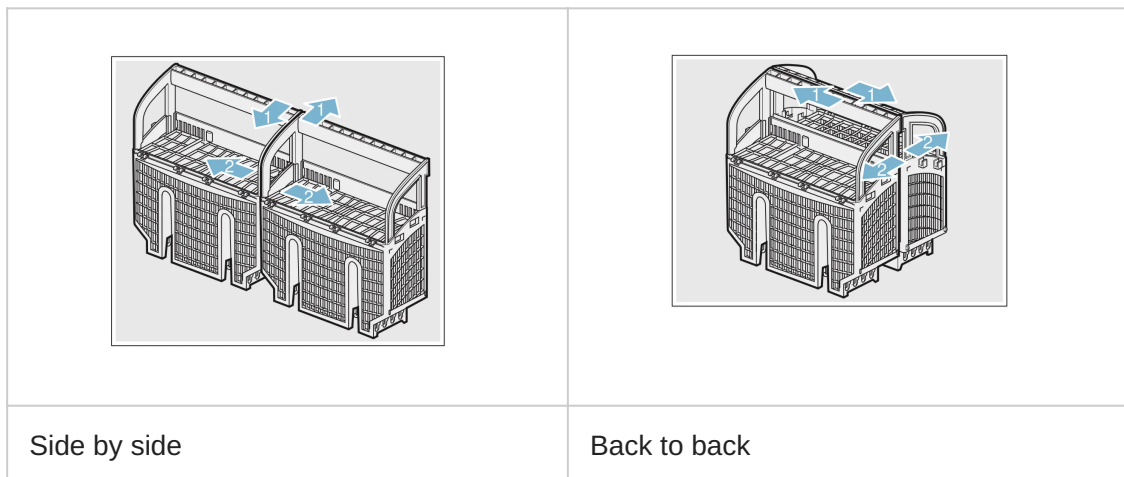
Place knives and sharp utensils with their handles up and forks and spoons with their handles down. If large or oddly-shaped items are loaded in the silverware basket, be sure they do not nest together.

WARNING RISK OF INJURY!

The sharp points and edges of knives and other sharp utensils can cause serious injury. Load knives and other sharp utensils with edges down. Do not allow children to handle or play near knives and sharp utensils.

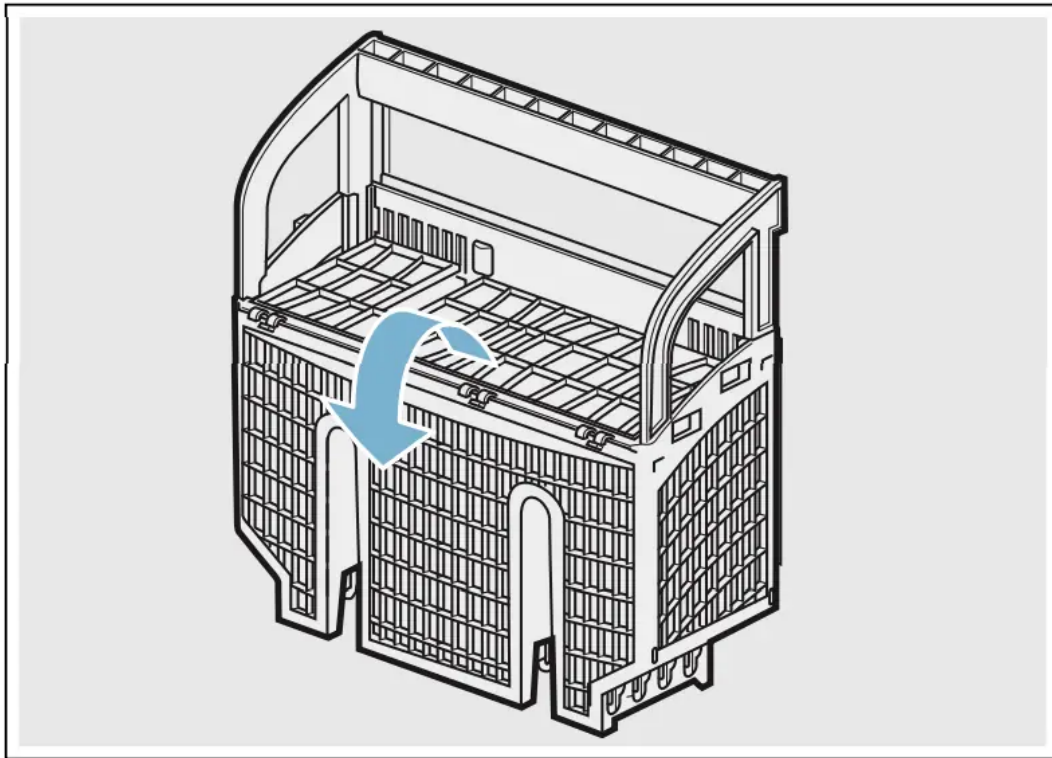
The Double Flex silverware basket

- This basket splits along its length, resulting in two halves that may be placed in a variety of positions in the Lower rack (30), greatly increasing the lower rack's loading versatility.
- The basket snaps together either side by side or back to back.
- To split the Double Flex silverware basket:
- Grasp the basket and slide the two halves in opposite directions and then pull the two halves apart.



Hold the two halves side by side or back to back, so that the tab on one basket can slip into the notch on the other basket. Push the two halves in opposite directions until they click.

Note: The silverware basket lid may also be folded downward in order to leave the basket open.

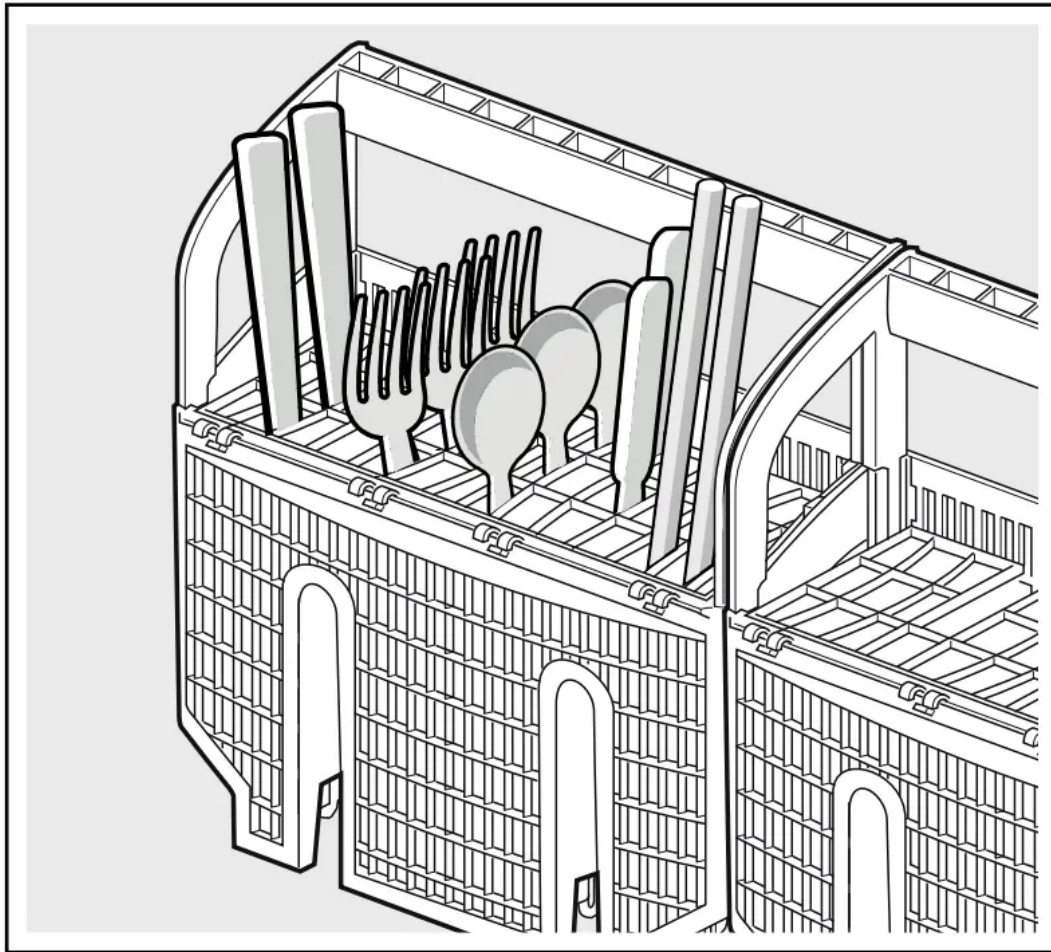


This dishwasher is equipped with a silverware drawer that should accommodate most silverware loading needs.

However, if you are washing while the silverware drawer has been removed, or with excess silverware, a silverware basket is also included.

When loading the silverware basket you should avoid excessive contact points and nesting of similar items allowing two spoons to rest inside one another).

A good way to avoid excessive contact points is to load the silverware basket with the lids closed, inserting each piece of silverware into one of the individual slots as shown.



Unloading the dishwasher

When unloading the dishwasher, to prevent water from dripping onto dry dishes, unload the Lower rack (30) first. Next, unload the silverware basket (29) followed by the Upper rack (22), and then the Third rack (if equipped).

Note: Dishes are more likely to chip when unloading before cooling.

Adjusting the height of the rack

If required, the height of the upper rack (22) can be adjusted to create more space for taller utensils either in the upper or lower rack.

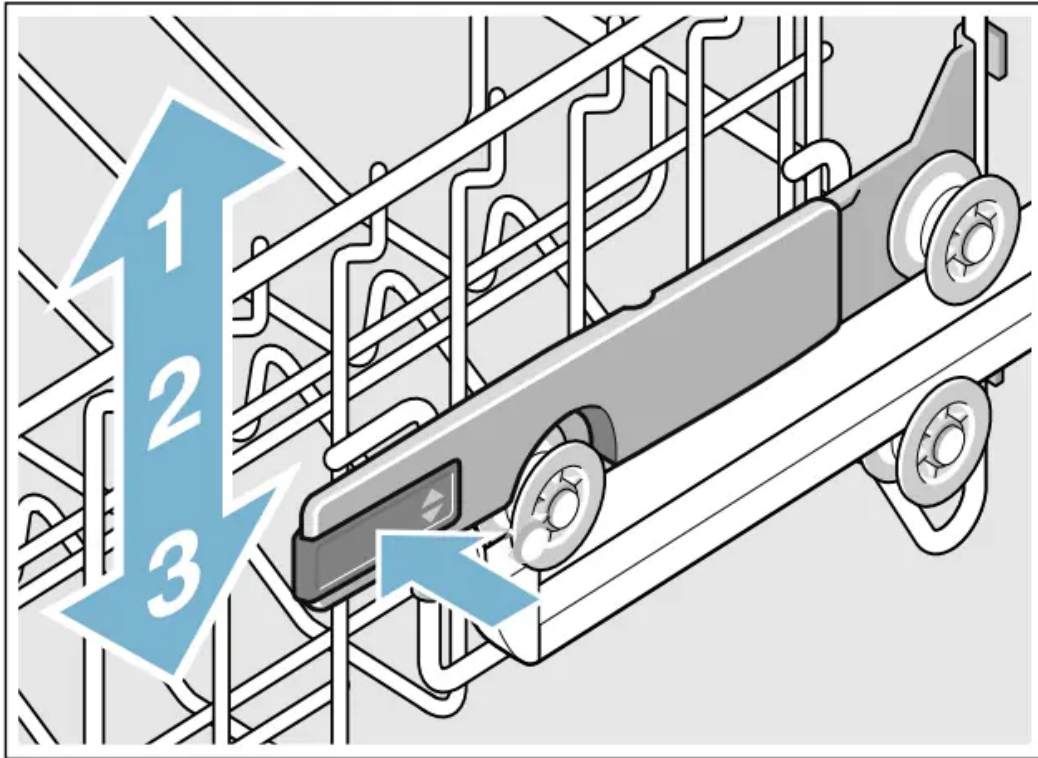
With silverware basket	Upper rack	Lower rack
Setting 1 max. ø	9.4 in (24 cm)	13.4 in (34 cm)
Setting 2 max. ø	10.4 in (26.5 cm)	12 in (30.5 cm)
Setting 3 max. ø	11.4 in (29 cm)	11 in (28 cm)

With third rack	Upper rack	Lower rack
Setting 1 max. ø	7 in (18 cm)	13.4 in (34 cm)
Setting 2 max. ø	8 in (20.5 cm)	12 in (30.5 cm)
Setting 3 max. ø	9 in (23 cm)	11 in (28 cm)

RackMatic®

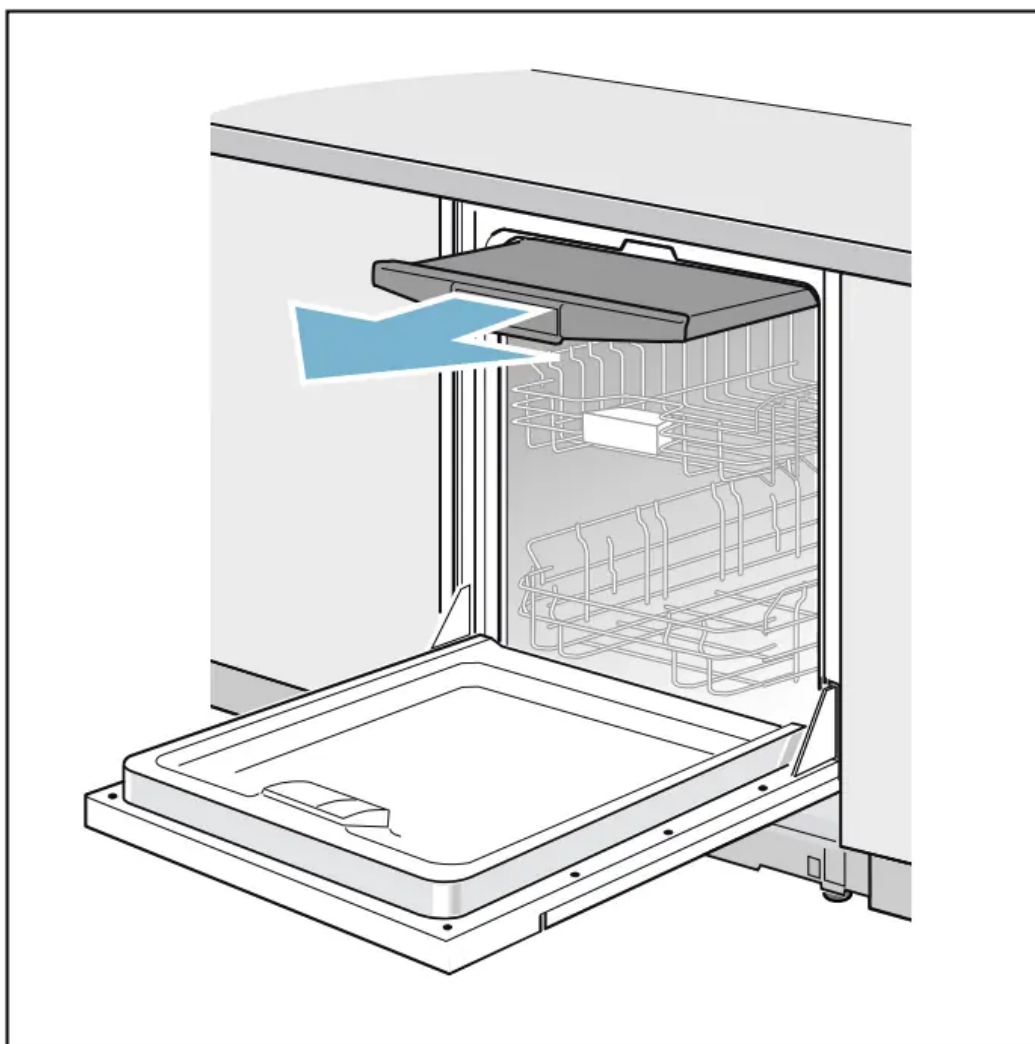
The height of the upper rack (22) can be adjusted in 3 steps to create more space.

1. Pull the Upper rack out of the dishwasher until it stops.
2. To lower the rack, push the RackMatic® lever inward.
3. To raise the rack, hold the basket on the sides of the Upper rack and lift it up.



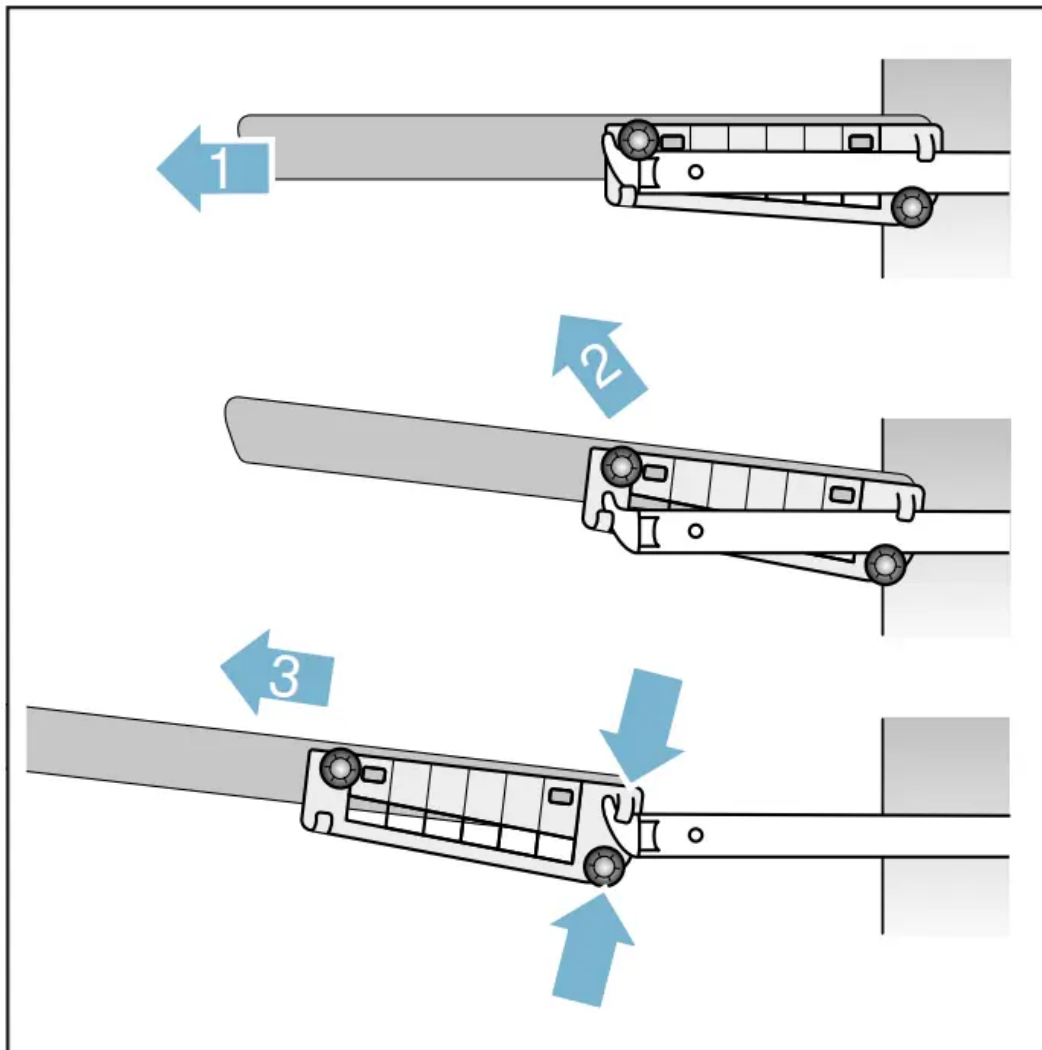
Note: Check spray arm for clearance after adjustment.

Removing/Installing Third rack (21)



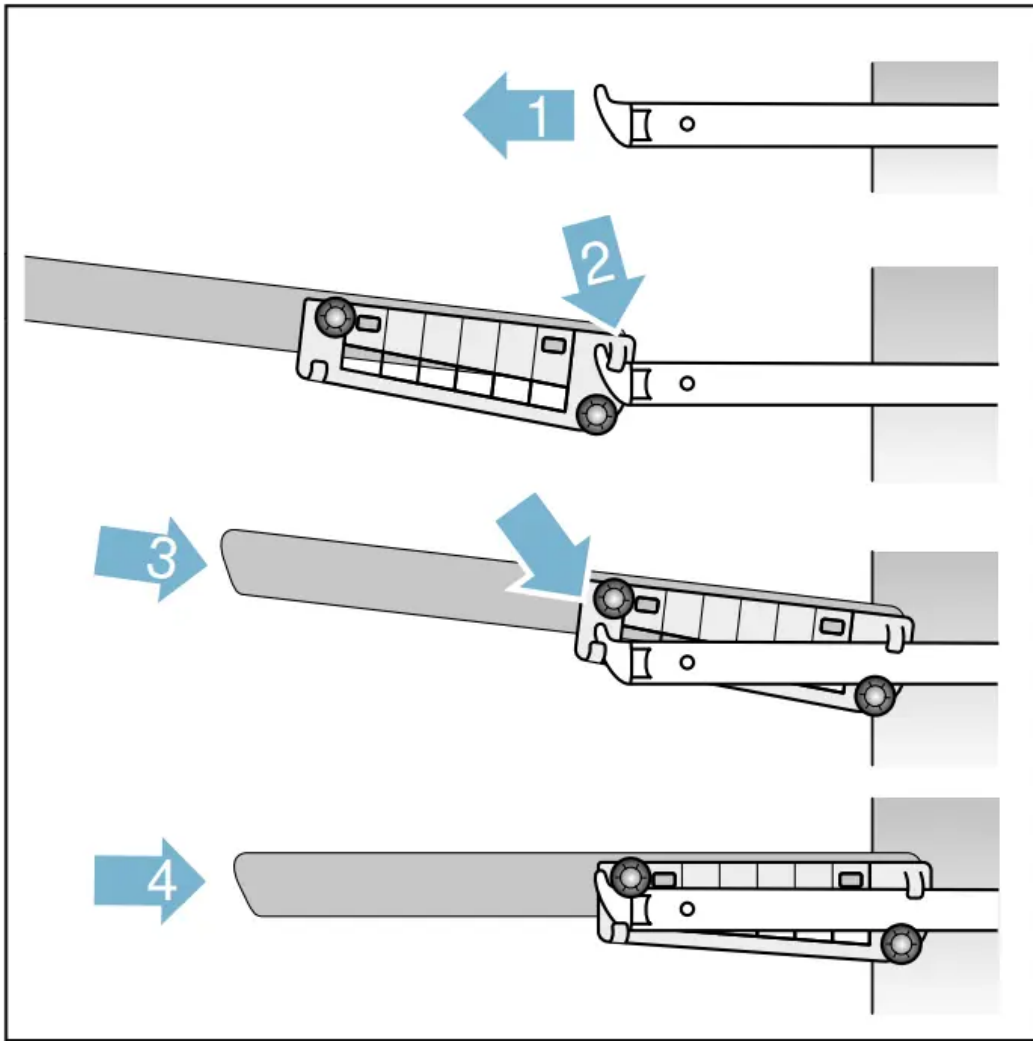
Removing third rack (21)

1. Pull out Third rack all the way (1).
2. Lift upper rollers over the stopper hooks of both rails (2).
3. Pull Third rack (out forward and upward so the the holding hooks and the lower rollers of the rack slide over the stopper hooks of both rails (3).

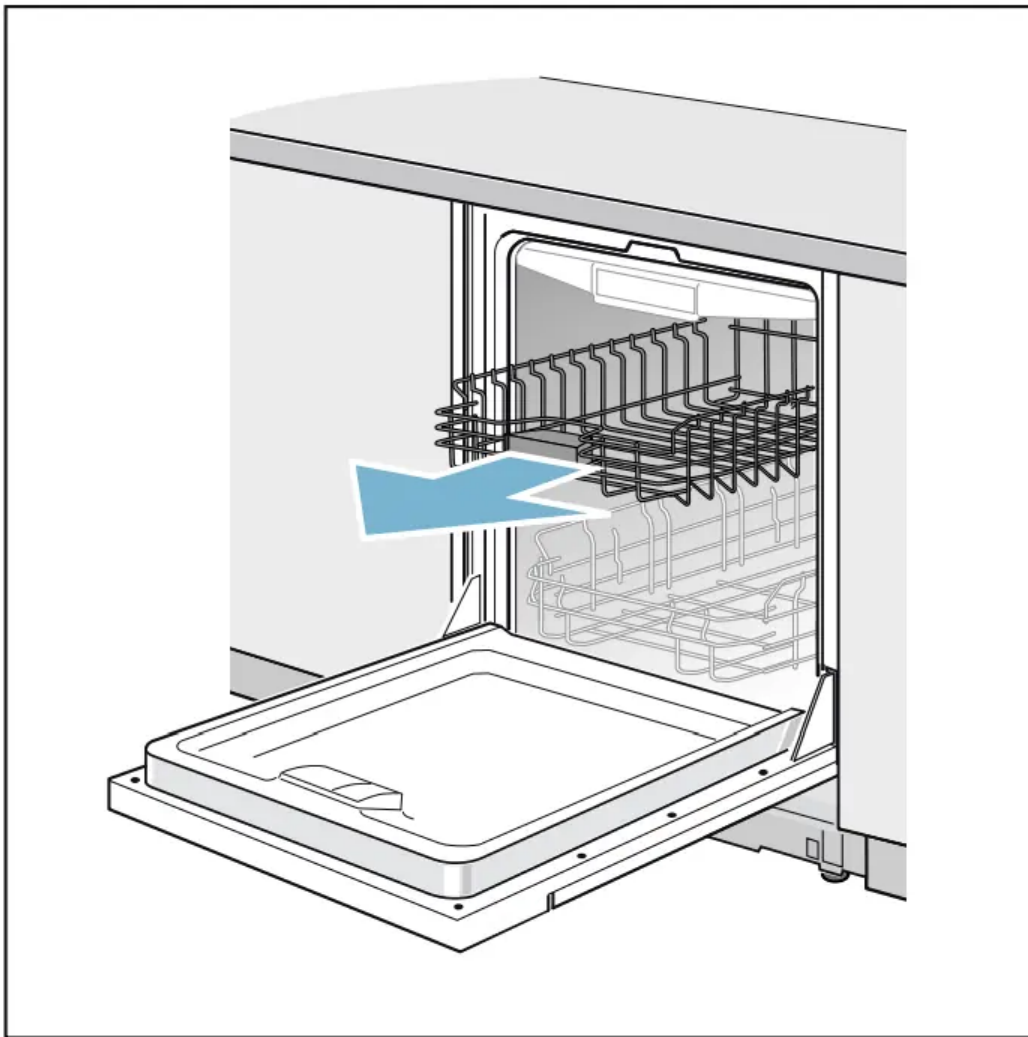


Installing third rack (21)

1. Pull out Third rack rails all the way (1).
2. Insert Third rack at an angle. Make sure that the stopper hooks of both rails slide in between the holding hooks and the lower rollers of the Third rack (2).
3. Slide Third rack in and lift the upper rollers over the front stopper hooks of both rails (3).
4. Push in Third rack (4).

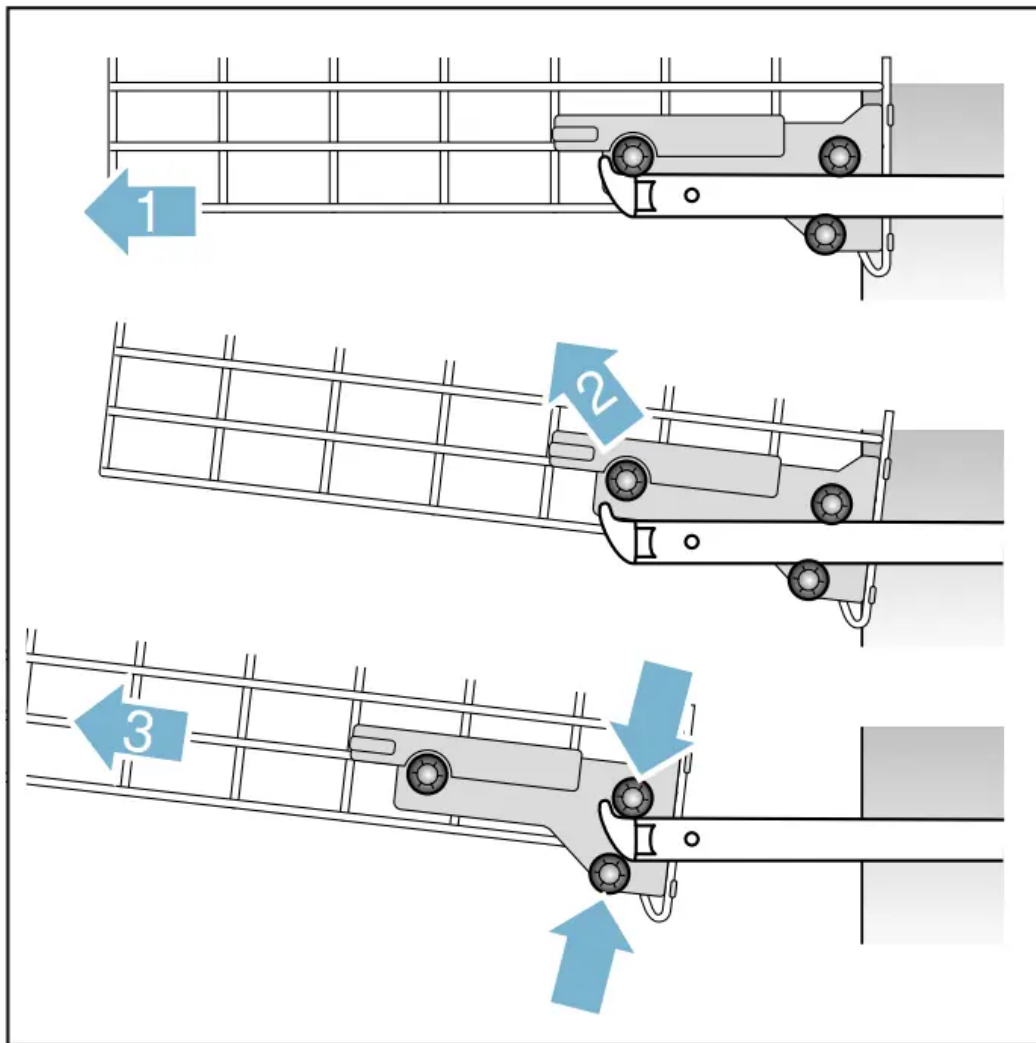


Removing/Installing Upper rack (22) with Rackmatic®



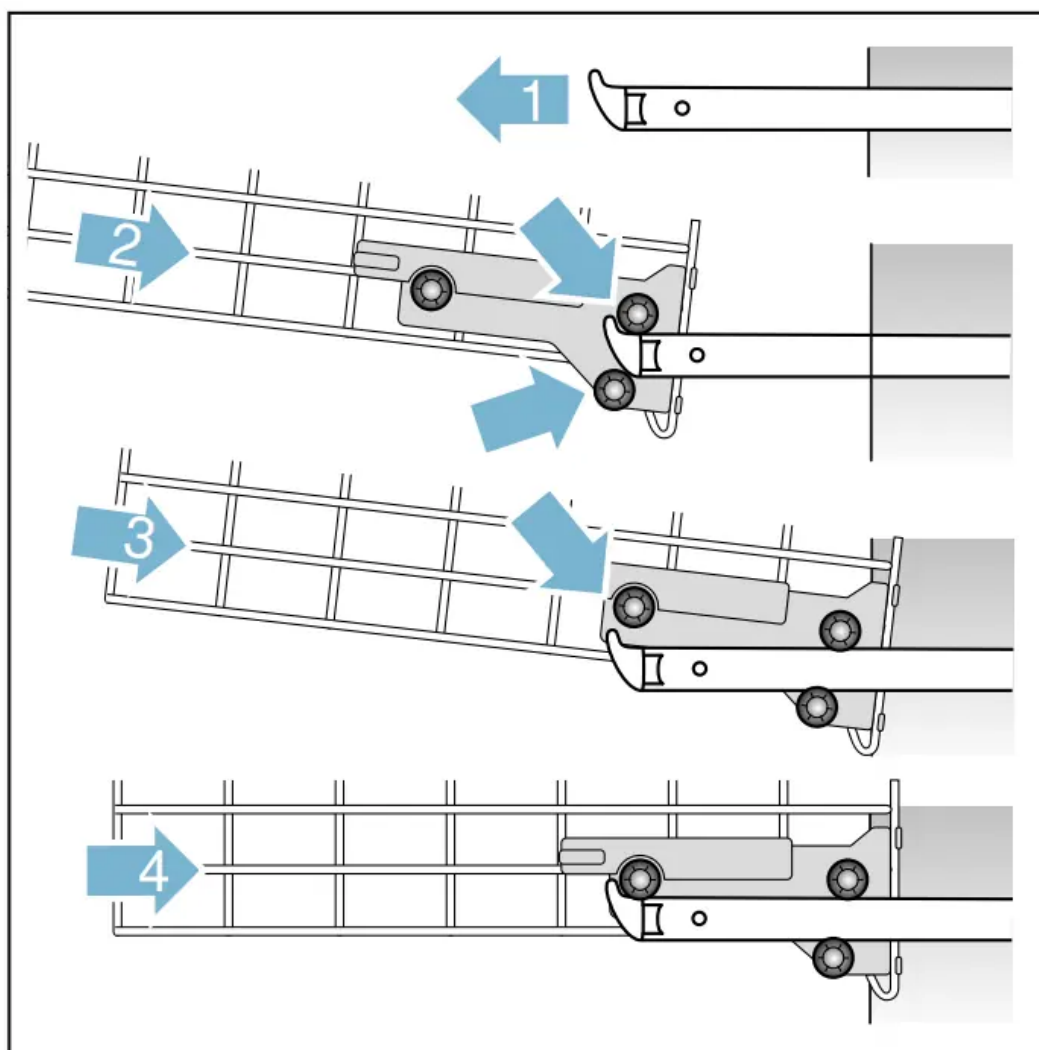
Removing upper rack (22)

1. Pull out Upper rack all the way (1).
2. Lift front rollers over the stopper hook of the rail (2).
3. Pull out Upper rack forwards and upwards so that the upper and lower rollers of the rack slide over the stopper hooks of both rails (3).



Installing Upper rack (22)

1. Pull out Upper rack rails all the way (1).
2. Insert Upper rack at an angle. Make sure that the stopper hooks of both rails slide in between the upper and lower rollers on the rear side of the rack (2).
3. Slide Upper rack in and lift the upper rollers over the front stopper hooks of both rails (3).
4. Push in Upper rack (4).

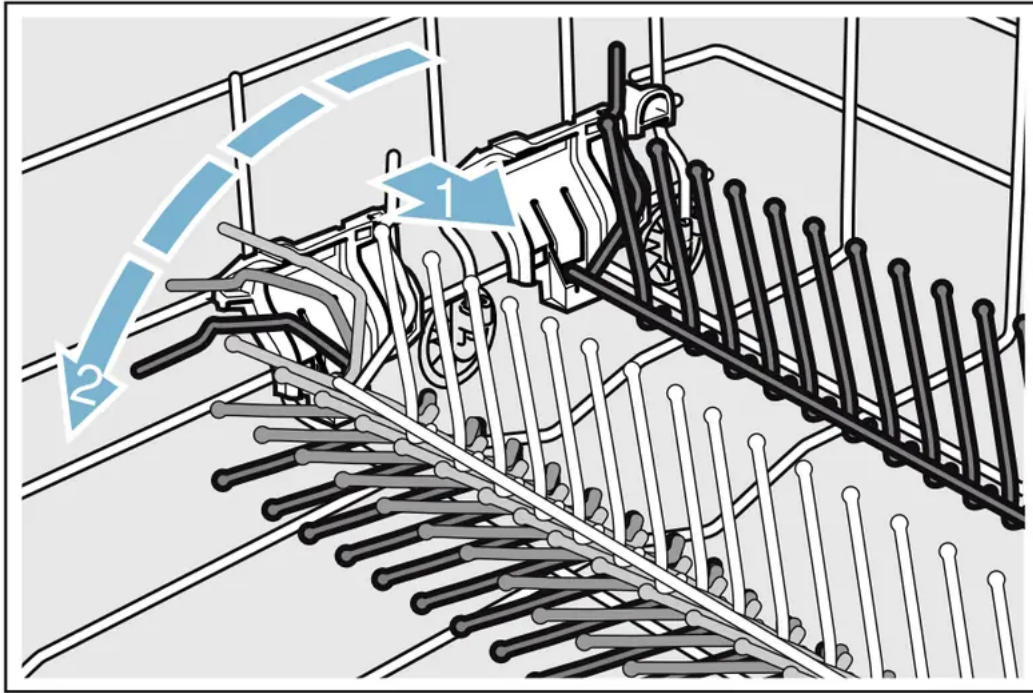


Rack accessories

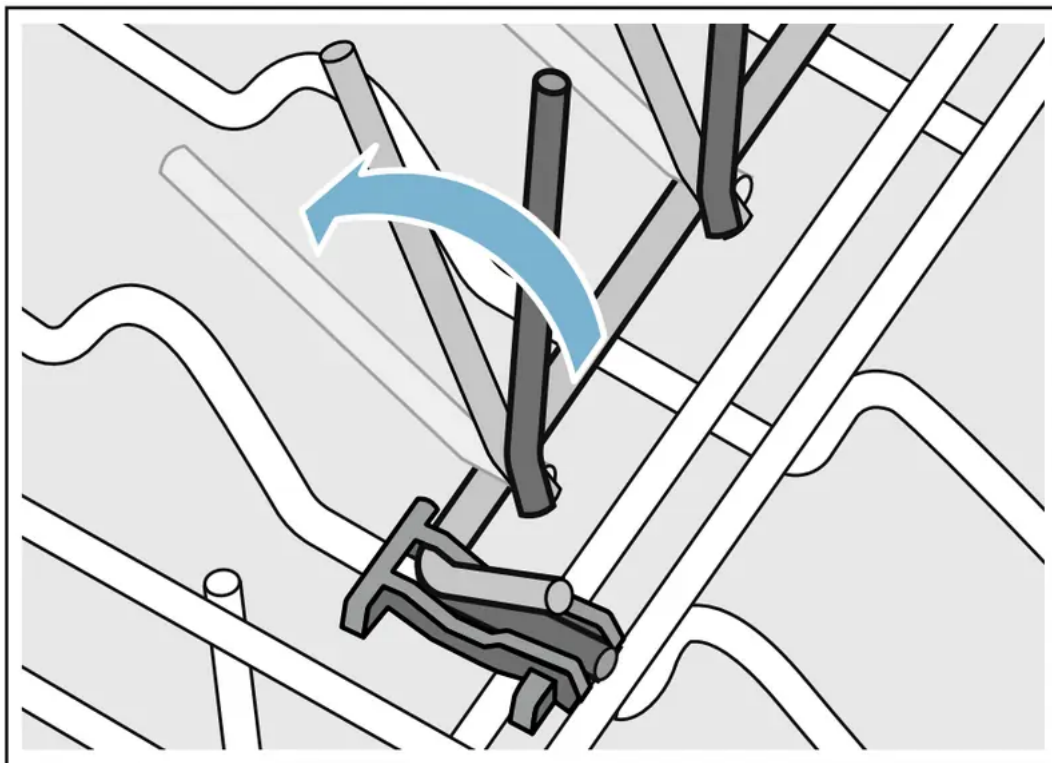
Flip tines

The upper and lower rack are fitted with flip tines that can be folded down depending on what you may need to load in the rack.

Lower rack flip tines: To fold down, pull flip tine gently forward and release it from the notch. Push the flip tine downward. To fold up, push flip tines into an upright position until the holder engages in the notch.

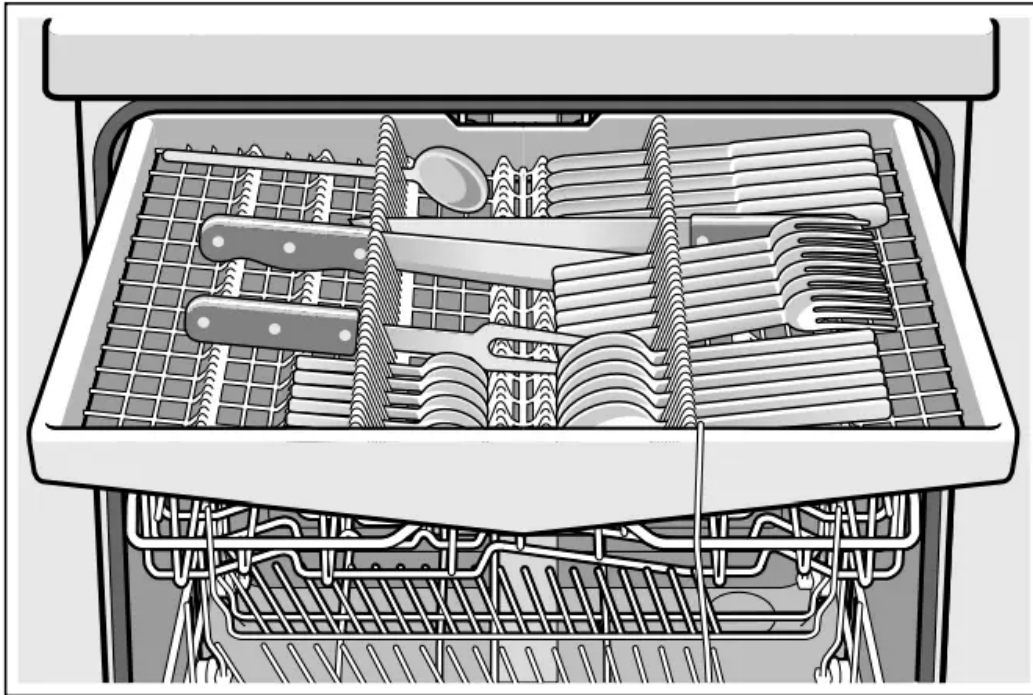


Upper rack flip tines: To fold down, push flip tines downward with gentle pressure. To fold up, push flip tines into an upright position until the holder engages in the notch.



Third rack (21)

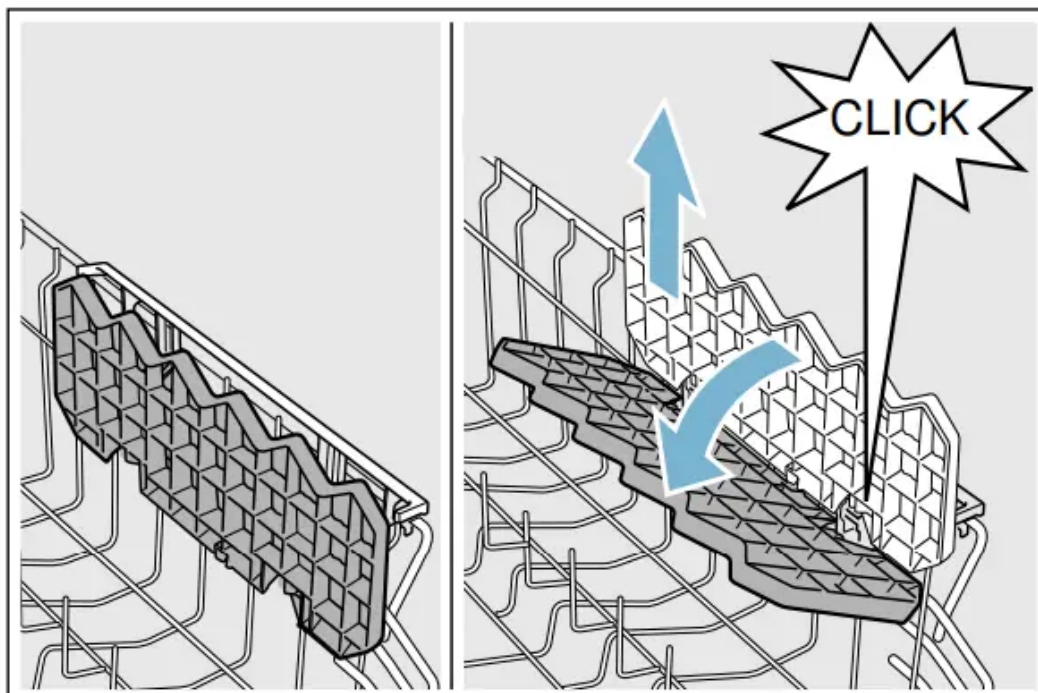
- The third rack (21) horizontally positions knives, spatulas and other oversized tools for improved cleaning and easier loading and unloading.
- Arrange cutlery in third rack as illustrated.



You can fold down the side shelves to provide more room for taller items of silverware. The front rows of prongs can be folded down to provide room for wider handles.

Cup shelves

The cup shelves and the space underneath them can be used for small cups or for larger serving utensils.



Detergent

Use only detergent specifically designed for dishwashers. For best results, use fresh powdered dishwashing detergent or detergent tabs.

NOTICE

To avoid dishwasher damage:

- Do not use hand dishwashing products in your dishwasher.
- Do not use too much detergent if your water is soft. Using too much detergent with soft water may cause etching in glassware and fine china.

This dishwasher uses less water than most, therefore, less detergent is required. With soft water, 1.75 tablespoons (25 ml) of detergent will clean most loads. The detergent dispenser cup has lines that measure detergent to 1 tablespoon (15 ml) and 1.75 tablespoons (25 ml). 3 tablespoons (45 ml) of detergent will completely fill the detergent dispenser.

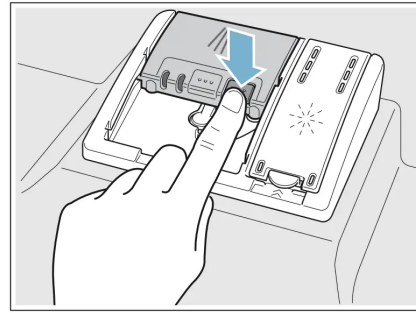
Note: If you do not know the hardness of your water supply, use 1.75 tablespoons of detergent. Increase the amount if necessary to the least amount required to get your kitchenware clean.

Wash Cycle	Hard Water/ Heavy Soil	Medium Water/ Medium Soil	Soft Water/ Little Soil
Heavy	3 tbsp (45 ml)	3 tbsp (45 ml)	1.75 - 3 tbsp (25 - 45 ml)
Auto	1.75 - 3 tbsp (25 - 45 ml)	1.75 tbsp (25 ml)	1 - 1.75 tbsp (15 - 25 ml)
Normal	1.75 - 3 tbsp (25 - 45 ml)	1.75 tbsp (25 ml)	1 - 1.75 tbsp (15 - 25 ml)
Clean30®	1.75 tbsp (25 ml)	1 - 1.75 tbsp (15 - 25 ml)	1 tbsp (15 ml)
Rinse	none	none	none

Adding detergent

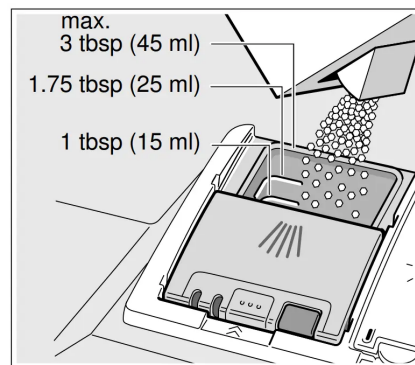
1. If the detergent dispenser (32) is still closed, push the button (33) to open it

Note: Make sure the detergent dispenser is dry and clear of detergent residue.

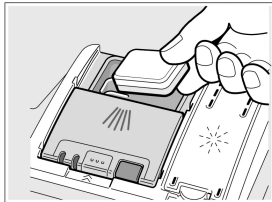


2. Pour detergent into the dry detergent dispenser (32) only.

Add detergent. Do not overfill the detergent dispenser.

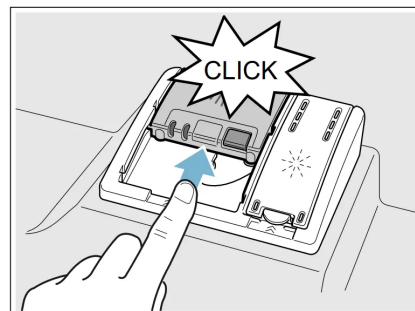


When using detergent tabs, lay them such that they do not come in contact with the cover, insert a detergent tab flat, not on its side.



Note: Do not place detergent tabs or utensils in the detergent tab tray (24). Place tabs or other detergent forms directly in the detergent dispenser (32).

3. Close the lid by placing the finger on the lid as shown. Slide the lid closed and press down firmly until it clicks.

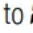


The detergent dispenser will open automatically at the ideal time for the set cycle. The powder or liquid detergent is distributed in the appliance

and is dissolved, detergent tabs will fall into the detergent tab tray (24) where it dissolves during the cycle.

Tip: If the dishware is only lightly soiled, slightly less than the indicated amount of detergent is usually adequate.

Dishwasher Cycles

Wash cycle	Recommended use	Possible wash cycle option
Heavy	Best for cleaning items with baked-on food or grease. These dishes would normally require soaking or hand scouring.	all
Auto	Smartest cycle, with most flexible soil sensing, which is ideal for mixed dishware and food soils.	all
Normal (see note at bottom of table)	Recommended for daily, regular or typical use to completely wash a full load of normally soiled dishes.	all Note: In order to obtain optimal performance with minimum energy consumption, it is recommended to disable all available options and settings, except Auto Power Off - set to P:0  1 → "Auto power off" on page 29
Clean30®	Cleans lightly soiled dishes and reduces overall wash time. Use this cycle to clean glasses and dessert dishware that may need to be reused at the same event.	Delay Extra Dry
Rinse	Use this cycle if you need to pre-rinse dishes to avoid odors. Place unrinsed dishes inside the dishwasher and select the Rinse cycle. Uses less water than hand rinsing and very low energy.	Delay

Note: The Energy Guide label was based on the Normal soil sensing cycle as follows: The unit was tested without any rinse aid (liquid) in the rinse aid dispenser (31). A single dose of detergent was inserted into the detergent dispenser (32), with no detergent being used in the prewash. The unit was not subjected to truncated testing per the definitions in the test procedure. We recommend that dish loads such as the one in the energy certification test have the rack position set in the highest position.

Dishwasher Cycle Options

Delay

Allows you to delay the start time of your dishwasher up to 24 hours.

Half Load

Can reduce water consumption when washing small, lightly soiled loads that fill approximately half of the dishwasher's capacity.

Sanitize

Increases the temperatures and retains them for an extra long time to obtain a defined disinfecting performance. Continuous use of this function increases the hygiene status.

This additional option is ideal for cleaning items such as chopping boards and baby bottles.

Using the Sanitize option may also improve drying. The cycle time and energy usage may be increased.

Extra Dry

Used in combination with a wash cycle (except Rinse), the Extra Dry option raises the temperature and extends the drying time to further enhance drying results and provide a brilliant shine. The energy usage may be increased.

ExtraScrub

This option increases pressure and temperature in the Lower rack (30) for intensive cleaning.

Wash Cycle Information

To save energy, this dishwasher has EcoSense where the sensors in the dishwasher automatically adjust the cycle length, temperature and water changes based on the amount of food soil and the incoming water temperature. The "Smart Control" makes decisions that can cause the cycle time and water usage to adjust intermittently. Wash cycle times are based on 120°F (49° C) water supply. If your household water supply is different than 120°F (49°C), your dishwasher's cycle times may be impacted.

	Heavy	Auto	Normal	Clean30®	Rinse
Cycle time min.	110 - 135	105 - 129	130 - 135	30	9
Water usage gal/L	4.9-6.4/ 18.6-24.2	3.4-6.4/ 12.9-24.1	2.3-5.5/ 8.8-21.0	2.7/ 10.3	1.1/ 4.1
Wash temp. °F/°C	151-160/ 66-71	127-131/ 53-55	113-131/ 45-55	113/ 45	in-coming
Rinse temp. °F/°C	162/ 72	153-162/ 67-72	156/ 69	126/ 52	in-coming

	Heavy	Auto	Normal	Clean30®	Rinse
Half Load					
Cycle time min.	114	90-105	90-99	N/A	N/A
Water usage gal/L	4.7/ 17.9	2.7-4.4/ 10.2-16.5	2.8-3.7/ 10.8-13.9	N/A	N/A
Rinse temp. °F/°C	162/ 72	131-151 55-60	162/ 72	N/A	N/A
Delicate					
Cycle time min.	105 - 130	90 - 105	110 - 120	N/A	N/A
Water usage gal/L	4.9-6.4/ 18.6-24.2	3.5-6.5/ 13.1-24.5	2.3-5.5/ 8.8-21.0	N/A	N/A
Rinse temp. °F/°C	140/ 60	149 65	140-149/ 60-65	N/A	N/A
Sanitize					
Cycle time min.	130-150	125-150	135-155	N/A	N/A
Water usage gal/L	4.9-6.4/ 18.6-24.2	3.4-6.4/ 12.9-24.1	2.3-5.5/ 8.8-21.0	N/A	N/A
Rinse temp. °F/°C	162/ 72	162/ 72	162/ 72	N/A	N/A
Extra Dry					
Cycle time min.	130-150	125-150	135-155	50	N/A
Water usage gal/L	4.9-6.4/ 18.6-24.2	3.5-6.5/ 13.1-24.5	2.4-5.5/ 8.8-20.8	2.8/ 10.5	N/A
Rinse temp. °F/°C	162/ 72	162/ 72	162/ 72	162/ 72	N/A

Delicate

This option's reduced time and temperature are best for lightly soiled items with easy to remove food soils.

The option also reduces the likelihood of cloudy glasses. Rinse aid is recommended for the high gloss drying function (even when using combination detergents).

Operating the Dishwasher

Protection against unintentional operation

Your dishwasher is equipped with a function that helps to prevent unintentional operation (e.g. by children).

After setting the dishwasher, the dishwasher door has to be closed within 4 seconds, otherwise the operation will be paused. There will be a signal on the control panel advising you to press the Start button again and close the door.

- This function will be activated when:
- pressing Start to begin a wash cycle
- setting Delay time and pressing Start
- opening the door while Delay time is active
- opening the door during a wash cycle.

Note: This function cannot be deactivated.

Operating the touch buttons

- Buttons are sensitive and should be touched gently. Avoid any grease or food particles resting on the buttons as they could activate the dishwasher.
- Wiping and cleaning can also activate the dishwasher. For best results, use bare, clean hands when touching the buttons.
- To clean the touch buttons wipe them with a dry or slightly damp cloth.

AquaSensor

AquaSensor is an optical measuring device which measures the cleanliness of the rinse water.

The AquaSensor is used according to the wash cycle. If the AquaSensor is active, “clean” rinse water can be transferred to the next rinse and water consumption can be reduced by 0.8–1.5 gal (3–6 liters). If the rinse water is not yet clear, the water is drained and is replaced with fresh water. In the automatic wash cycles the temperature and running time can also be adjusted to the degree of soiling.

Switching the appliance on

1. Turn the water supply on fully.
2. Press the On/Off button (1)
3. The AUTO wash cycle has been preset as a default whenever the appliance starts. This wash cycle remains selected if no other wash cycle button (2) is pressed. Select any desired option.
4. Press Start button (6). Wash cycle sequence starts.

Note: Your dishwasher is protected against unintentional operation. If the appliance door remains open for more than 4 seconds after pressing the Start button, the operation will be paused. Close the appliance door and press the Start button (6) again.

Time display

When a wash cycle is selected the remaining wash cycle time is shown on the display (3).

The wash cycle time is determined during the wash cycle by the water temperature, the amount of dishes, as well as the degree of soiling and may vary (depending on the selected wash cycle).

Delay Start

You can delay the start of the cycle in one hour increments up to 24 hours.

To set Delay start:

1. Open the door and press the
2. On/Off button (1). Select a cycle.
3. Press the Delay button from the wash cycle options (5) until the displayed time corresponds with your requirements.
4. Press the Start button (6) to activate Delay start.

To cancel Delay start:

1. Open the door and press the Delay button until **h:00** is indicated on the digital display (3).
2. Press the Start button (6) to save setting.

Note: Your dishwasher is protected against unintentional operation. If the appliance door remains open for more than 4 seconds after pressing the Start button, the operation will be paused. Press the Start button again and close the appliance door.

Wash cycle end

The wash cycle has ended when the display (3) reads **0:00**.

If the signal tone has been set, the wash cycle end is also indicated by a buzzer.

6:00	Off
6:01	low
6:02	medium
6:03	loud

To change the signal volume:

1. Open the door.
2. Press the On/Off button (1)
3. Hold down function key A and press Start button (6) until the display (3) indicates **d:0x** (x can be any number). Release both buttons.
4. Press function key A until the display shows **b:02**.
5. Press function key C. Each time the button is pressed the set value increases by one level; when it reaches the value **b:03**, the display jumps back to **b:00**
6. Press Start button (6) to save the setting.

Auto power off

This setting determines the length of time the control panel stays illuminated after the cycle is complete. To save energy the recommended setting is **P:01**

This setting can be adjusted from **P:00** to **P:02**

P:00	dishwasher does not turn off automatically
P:01	dishwasher turns off automatically after 1 minute
P:02	dishwasher turns off automatically after 120 minutes (2 hours)

To change the setting:

1. Press the On/Off button (1)
2. Hold down the function key A and press the Start button (6) until the display 3 indicates **d:0x** (x can be any number).
3. Release both buttons.
4. Press the function key A until the display (3) indicates **P:0x**
5. Press the function key C until the display (3) corresponds with your requirements.
6. Press the Start button (6)

Switching off the appliance

Short time after the end of the wash cycle:

1. Open the door.

2. Switch off On/Off button (1)
3. Turn off water supply.
4. Remove the utensils when they have cooled down.

WARNING RISK OF INJURY!

To avoid risk of injury, always use caution when opening the door during or following a wash cycle as hot water or steam may escape. Do not fully open the door until water noises have stopped and steam has subsided.

Interrupting the wash cycle

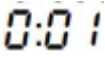
CAUTION

Expansion (overpressure) may cause the appliance door to open and/or water to escape! If the door was opened on an appliance which has a hot water connection or is heated, always leave the door ajar for several minutes and then close.

1. Open the door.
2. Switch off On/Off switch (1).
The LED's go out. The wash cycle is saved.
3. To continue the wash cycle, switch on the On/Off switch (1) again.
4. Close the door.

Note: Your dishwasher is protected against unintentional operation. If the appliance door remains open for more than 4 seconds after pressing the Start button, the operation will be paused. Press the Start button again and close the appliance door.

Cancel a cycle (Reset)

1. Press and hold Start button (6) for approximately 3 seconds until the display reads

2. Wait about 1 minute while the dishwasher drains.
3. Press On/Off button (1)
4. You may now power the dishwasher back on and begin a new cycle if desired.

Changing the wash cycle

When the Start button (1) has been pressed, the wash cycle cannot be changed. The only way a wash cycle can be changed is by terminating the wash cycle (Reset).

InfoLight®

While the wash cycle is running, a light spot shines on the floor under the appliance door.

Do not open the appliance door until the light point is no longer visible on the floor.

If the appliance door is not completely closed, the light spot flashes*.

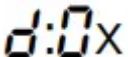
If the appliance is installed at eye-level, with flush furniture front, the light point is not visible.

In darkened rooms, some light scattering may be visible. This is normal and cannot be changed.

You can switch the Infolight on or off.

1:00 Off
1:01 low

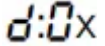
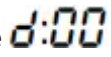
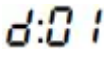
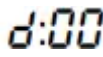
To change the setting:

1. Open the door.
2. Press the On/Off button (1)
3. Hold down function key A and press Start button (6) until the display (3) indicates  (x can be any number). Release both buttons.
4. Press function key A until the display shows
5. Press the function key C to switch the InfoLight® feature on or off
6. Press Start button (6) to save the setting.

Intensive drying

The final rinse uses a higher temperature which improves the drying result. The cycle time may increase slightly. (Caution if utensils are delicate!)

This feature has two settings: On/Off

1. Open the door.
2. Press the On/Off button (1).
3. Hold down function key A and press Start button (6) until the display (3) indicates  (x can be any number).
4. Release both buttons.
5. Press function key A until the display (3) indicates the factory set value .
6. Press function key C to switch the Extra dry feature on  or off .
7. Press Start button (6) to save setting.

Care and Maintenance

Overall condition of the dishwasher

NOTICE

- Never use a steam cleaner to clean your dishwasher. The manufacturer is not liable for any resulting damage.
- Regularly wipe the front of the appliance with a damp cloth - water and a small amount of liquid soap is adequate. Do not use sponges as they could scratch the surfaces.
- Do not use bleach-based wipes as they could damage the surface or printing.
- Stainless steel appliances: To prevent corrosion, do not use sponges or chlorine based cleaners. Use a stainless steel polish to seal and protect the surface. Do not use chlorine based cleaners or wipes.
- Clean the outer edges of the inside door panel regularly to remove debris that may collect from normal loading. If spots begin to appear on the stainless steel, make sure the rinse agent is full and functioning properly.
- Clean the door seal regularly with a damp cloth to remove food particles that may collect from normal loading and cause odor. A soiled door seal may not seal properly.

WARNING

Use caution when removing parts for cleaning as some debris may be sharp.

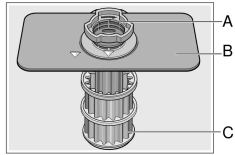
Filters

The Bosch® filter system (28) is designed to prevent the need to pre-rinse normally attached food soils from your dishes. Simply scrape leftover food soils off of dishware before loading. This process will conserve time, water and the energy require to heat your household water supply.

Your dishwasher filter system is designed to filter 100% of the water entering the spray arms to provide a continuous supply of clean water to remove food soils from your dishware.

Filter components

The filter system (28) consists of three parts.



A Large Object Trap

Prevents objects that should not be placed in your dishwasher from damaging the dishwasher pump system or clogging your household drain.

B Flat Fine Filter

Prevents food particles from entering the wash chamber and directs particles toward the micro filter.

C Micro Filter

Directs the smallest of particles to the household plumbing drain.

Cleaning intervals

The filter system (28) is designed to minimize maintenance while providing premium cleaning performance and minimum energy consumption.

Depending on use habits and water hardness, the filter system will require some maintenance to sustain premium cleaning performance.

Your filter system may need to be cleaned when:

- You notice food soils remaining on the filter system or objects trapped in the Large Object Trap.
- A drop in cleaning performance or a gritty film forms on the dishware.

When washing normally attached food soils that have been scraped before loading, in a household that runs the dishwasher every other day, your filter should be cleaned:

Cleaning interval	Use this setting,
3-6 times a year	if you rinse before loading
4-12 times a year	if you only scrape before loading
12 times a year	if you have hard water



Note: Clean the filter after washing loads with large amounts of food soils or loads with a heavy starch content, like potatoes and pasta, to maintain optimal performance.

To check or clean the filter system:

	1 Unscrew the Large Object Trap as illustrated and remove the entire filter system.
--	---

2 Remove any residue and clean filters by rinsing under running water. Note: do not use abrasive brushes or steel wool, etc., as they may damage the filter.

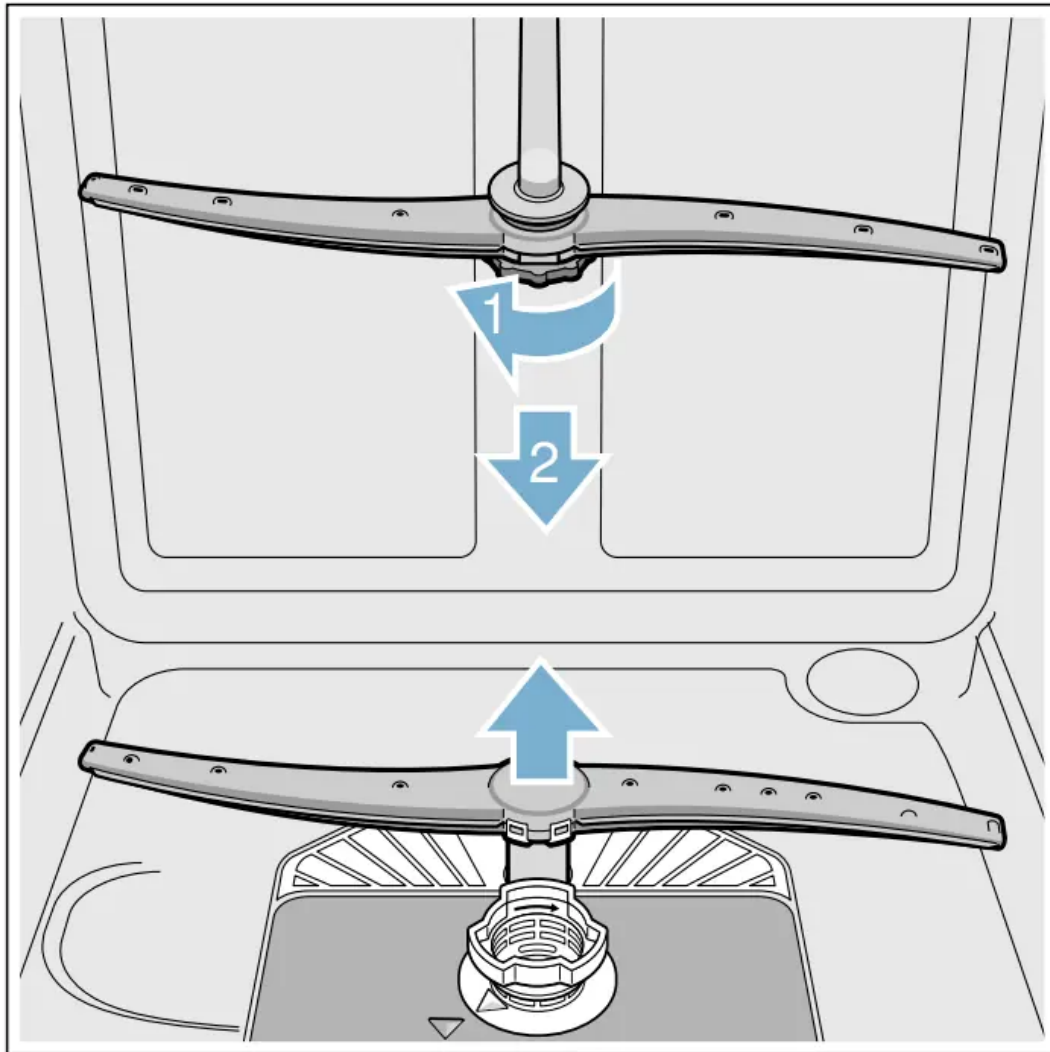
3 Reinstall the filter system in reverse sequence and lock into place by screwing the Large Object Trap until the marking arrows align.

Spray arms

Check spray arms (23), (26) for grease and limescale deposits. If you find such deposits:

- Fill detergent dispenser (32) with detergent and start the appliance without utensils in the cycle with the highest rinsing temperature
- Clean the appliance with detergents/appliance cleaners which are particularly suitable for use with dishwashers.
- Unscrew the upper spray arm (23) and pull off the lower spray arm (26) as shown. Inspect for deposits.

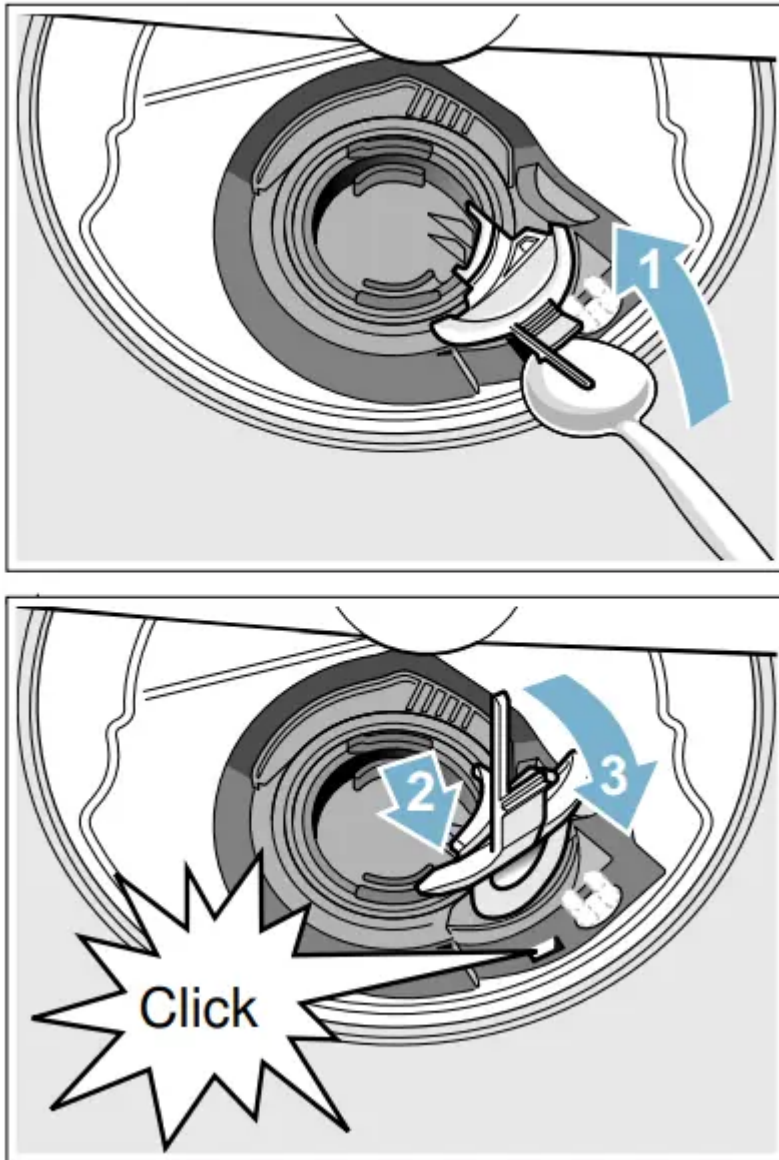




Drain pump

Large food remnants in the rinsing water not retained by the filters may block the waste water pump. In this case:

- Disconnect the appliance from the power supply. Remove the filters
- Scoop out standing water - use a sponge if necessary.
- Using a spoon, pry off the pump cover until it clicks, then grip the cover and pull upward until it resists and then pull forward.



- Check inner compartment and remove any foreign objects.

WARNING

Use caution when removing parts for cleaning as some debris may be sharp.

- Place cover in the original position, press down and engage.
- Reinstall filters.

Note: The drain pump will not work properly if the drain pump cover is not snapped in completely until it clicks.

Preparing your unit for vacation

NOTICE

Before leaving for vacation during warmer weather, besides turning off the main valve, also turn off water supply at the nearest point to the dishwasher. Do not leave soiled dishware in unit and leave

door slightly open. During colder weather, please follow the instructions for winterizing your unit below.

Winterizing your unit

NOTICE

If your dishwasher will be unused for a period of time in a location that experiences freezing temperatures (holiday home or through a vacation period), have your dishwasher winterized by a professional service.

Troubleshooting

Causes of Damage

NOTICES

- Never use steam cleaning products to clean your dishwasher. The manufacturer will not be liable for the possible damages or consequences.
- Bleach-based wipes can cause stainless-steel doors and tubs to rust.
- Using harsh chemicals e.g. bleach), abrasive cleaners, scouring pads (metal or plastic), or abrasive cloths/paper towels can damage your dishwasher's exterior door panel, fascia panel and buttons.
- To avoid dishwasher damage, do not load the dishwasher with paper products, plastic bags, packing materials or anything other than normal, dishwasher safe dishware and kitchenware.

Dishwasher does not start

Door may be ajar or not be properly latched.

>>> Close door securely until door latch clicks.

No power to the dishwasher (display won't come on). Fuse may have been blown, circuit breaker may have tripped, power cord may have been unplugged or dishwasher may have been turned off.

>>> Replace blown fuse or reset tripped circuit breaker. Plug power cord into outlet securely. Press the on/off button (1) to turn the dishwasher on.

Can't select a wash cycle since the previous wash cycle may not have finished or the dishwasher hasn't been reset.

>>> Reset the dishwasher by pressing and holding the START button for at least three seconds

Delay start or Child lock may be activated.

>>> Reset Delay start or Child lock functions (refer to the appropriate section in this manual).

The door may have been closed without selecting a wash cycle.

>>> Select a wash cycle and close the door.

Water supply may not be turned on or connected.

>>> Check and turn on water supply.

Wash cycle won't resume after door was opened and closed.

The door has been open for more than 4 seconds after pressing the Start button.

>>> Press Start button again to resume cycle.

Display does not illuminate

A fuse may have been blown or circuit breaker tripped.

>>> Check the fuse or circuit breaker box and replace the fuse or reset the breaker if necessary.

Door not closed or latched. Note: For models with controls on top of the door, the display only illuminates when the door is opened and controls are visible.

>>> Ensure door is properly latched and completely closed.

Dishwasher seems to run a long time

Incoming water is not warm enough.

>>> Before starting a cycle, run hot water faucet at the sink closest to the dishwasher.

Cycle time depends on wash cycle chosen and amount of soil on dishes (dishwasher sensors increase cycle times to ensure dishes are clean when heavy soil is detected).

>>> Scrape food off of dishes and use less intensive wash cycles.

Rinse aid dispenser (31) is empty, or rinse aid setting = 0. Without rinse aid, wash cycle defaults to longest time with most number of washes and rinses.

>>> Add rinse aid and change rinse aid setting depending on water hardness.

Dishwasher is connected to cold water supply.

>>> Connect dishwasher to hot water supply.

Dishes are not getting clean enough

Spray arms are blocked or misaligned where they cannot rotate freely.

>>> Make sure spray arms (23), (26) can rotate freely.

Little or no water spray due to clogged spray arm nozzle.

>>> Clean out spray arm nozzles and filters of all debris and obstructions.

Little or no water spray due to clogged or misaligned filters (28)

>>> Clean filters and make sure they're installed correctly

Dishes are nested or placed too closely together and racks are overfilled.

>>> Space dishes apart so spray jets can reach the surface of the dishes and dishes don't contact each other

Improper or ineffective wash cycle or detergent used.

>>> Choose a more intensive wash cycle and use appropriate dishwasher detergents.

Detergent is made less effective due to hard water.

>>> Install a water softener and choose a more intensive wash cycle.

Removable spots or streaks on glasses and silverware.

Too much rinse aid causes streaks and too little rinse aid can cause spots.

>>> Add rinse aid and check rinse aid setting (recommended setting 4-5).

Mineral deposits from hard water.

>>> Install a water softener.

Water from top (3rd) or upper rack dripped on racks below.

>>> Unload lower rack 1st, upper rack 2nd and top (3rd) rack last.

Dishes not dry.

Rinse aid dispenser (31) is empty or incorrect rinse aid amount is set.

>>> Add rinse aid or adjust setting - the use of rinse agent improves drying, use the Auto cycle, use the Sanitize option.

Extra Dry heat option not chosen.*

>>> Activate Extra Dry heat option.*

Water collected in depressions on the dishes and silverware.

>>> Arrange dishes in upper rack to slope so water can drain.

Door was opened or dishes removed before wash cycle was completed.

>>> Wait until wash cycle ends before opening door or removing dishes.

Plastics don't absorb heat like cutlery or china and don't dry as well.

>>> Use more intensive wash cycles (with hotter rinse water) or activate Extra Dry heat option.*

Silverware not arranged properly in the silverware basket or top rack

>>> Arrange silverware properly and separate them so they don't contact each other.

Odor

Note: Water testing is done in the factory. Occasionally water may still appear in dishwasher at purchase which may create an odor.

Food debris in the dishwasher sump and door seal.

>>> Clean sump filters, sump and door seal as needed

Food debris left on dishes too long.

>>> Run dishwasher more frequently.

Not using rinse aid or using improper detergent.

>>> Use rinse aid and the proper detergent.

Residual standing water in the sump

>>> Make sure previous wash cycle has finished.

Drain line is clogged or drain hose is kinked, clogged or blocked. Or drain hose was not installed with a high loop

>>> Unclog drain line or replace drain hose. Be sure drain hose is installed with high-loop. **Note:** If odor still persists, run the Normal/ Regular cycle until it flushes and interrupt the cycle and place an 8 oz. cup of distilled white vinegar solution on the upper rack and then finish the cycle.

Dishwasher isn't filling with water (or "Check water supply" display occurs)

Water supply hose is kinked.

>>> Install new supply hose (without kinks)

Previous wash cycle was not completed or current wash cycle was interrupted.

>>> Complete wash cycle or reset dishwasher

Delay start or Child lock may be activated.

>>> Reset Delay start or Child lock functions (refer to the appropriate sections in this manual).

Water supply line is clogged.

>>> Unclog water line.

Water supply was turned off.

>>> Turn on water supply

Fascia panel discolored or marked

Panel was cleaned with bleach-based wipes or abrasive cleaners/cleaning pads.

>>> Use mild detergents with soft damp cloth.

Noise from dishes rattling or water striking tub walls.

Dishes weren't loaded properly, allowing dishes to hit each other or spray arms

>>> Load dishes properly into racks.

Light dishes or lightly loaded racks allow dishes to move or water sprays to strike tubs.

>>> Load more dishes or distribute dishes more evenly/securely in the dishwasher.

Water leaks from tub or from around door.

Suds from using the wrong detergent (i.e. dish) or overfilling/spilling rinse aid.

>>> Use an appropriate dishwasher detergent, don't overfill rinse aid and clean any spilled rinse aid. If suds still persist, add one tablespoon of vegetable oil and run the desired cycle.

Door seal was misaligned or pulled from its track.

>>> Make sure the door seal is securely inserted into its track.

Condensation vent is blocked.

>>> Clean out vent and move tall items like trays away from the vent.

Improper installation.

>>> Have an authorized service professional remount the dishwasher

White limescale on dishes, tub, racks or door.

White residue coats dishwasher interior and racks wheels squeak from lime scale deposits in hard water.

>>> Use a dishwasher cleaner every few months. If dishwasher has a water softener, increase the setting..

Hard water kept 3 in 1 detergent or Eco detergent from being effective.

>>> Use separate dishwasher detergent, rinse aid and dishwasher softener salt (if dishwasher has a softener).

Under dosing of detergent.

Use more detergent or change to a more effective detergent.

Rinse temperature is too low.

Select more intensive wash cycles with higher washing temperatures.

Detergent dispenser cover will not shut

Cover guides are blocked by sticky detergent residue.

>>> Remove detergent residue.

Unable to select desired cycle

Previous cycle not finished

>>> See Operating the Dishwasher

Touch sensitive keys not activating easily or activating without being touched * optional feature which may or may not be included with your dishwasher.

Water or other liquid on the surface.

>>> Wiping the fascia with a wet cloth may cause unwanted activation. wipe the fascia with a soft, dry cloth when possible. If you must use a damp cloth to clean, dry immediately. Never pour water on the controls.

Touch keys not being activated properly.

>>> Press the center of the touch key with the flat area of your fingertip. A beep will sound to indicate that the selection has been made. Touching the keys lightly should work. Note: There is a built-in delay to prevent someone from launching several actions at once by accidentally wiping their hand (or a cleaning cloth) across the control panel.

Warning

This content is compiled from multiple sources and is provided for reference purposes only. It may not be complete or fully applicable to all situations. If you are unable to resolve your issue, please contact the product manufacturer or an authorized service provider for official support.