

## Quick Start Guide Whirlpool Washer

### **NOTES:**

- Deep Water Wash is not available in the Normal cycle. Selecting the Normal cycle with Deep Water Wash will result in auto sensing of the water level.
- See “Cycle Guide” in the Use and Care Guide for more information about cycles, settings, and options. ot all cycles, settings, and options are available with all models. Read your Use and Care Guide before using your washer

### **WARNING**

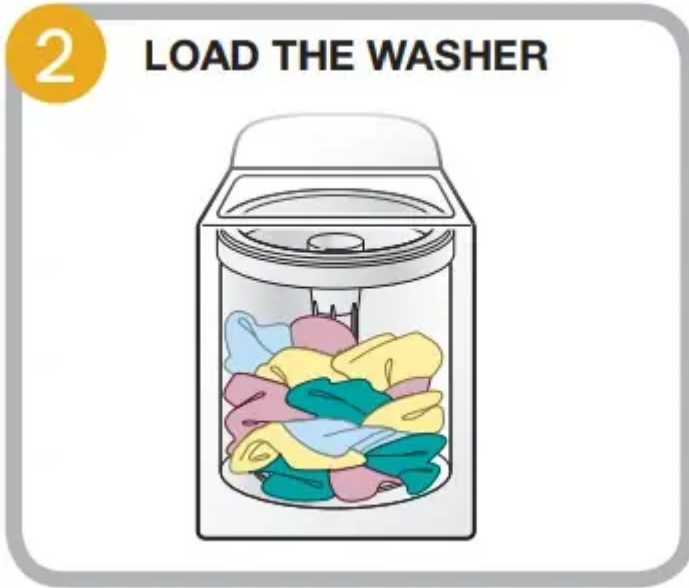
- Never place items in the washer that are dampened with gasoline or other flammable fluids.
- No washer can completely remove oil.
- Do not dry anything that has ever had any type of oil on it (including cooking oils). Doing so can result in death, explosion, or fire.

## Using Your High-Efficiency Washer

### ADD THE DETERGENT



## LOAD THE WASHER



### ADD BLEACH AND FABRIC SOFTENER (If desired)



**Bleach**



**Fabric Softener –  
With Dispenser**

Add liquid fabric softener before beginning the cycle. Follow manufacturer's instructions to determine amount, then dilute liquid fabric softener by filling dispenser to underside of rim with warm water. Fabric softener will automatically be added during the final rinse.



**Fabric Softener –  
Without Dispenser**

Add fabric softener during the final rinse. Press START/ PAUSE to pause the washer. Lift lid and add measured recommended amount of liquid fabric softener. Close lid and press START/PAUSE again to start the washer.

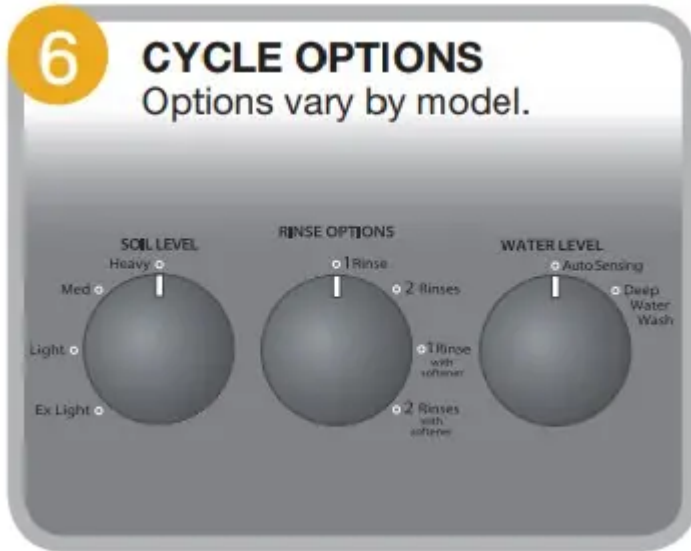
**SELECT CYCLE** Cycles vary by model.



**SELECT WASH TEMP**

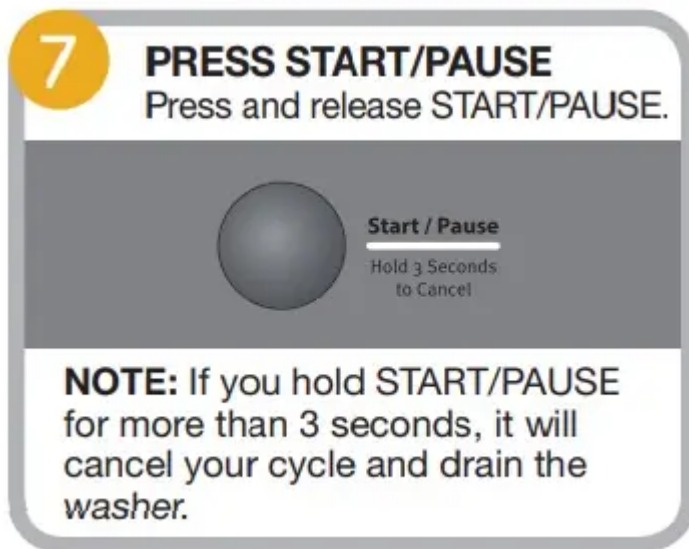


**CYCLE OPTIONS** Options vary by model.



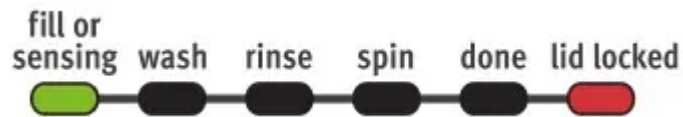
### PRESS START/PAUSE

Press and release START/PAUSE.



**NOTE:** If you hold START/PAUSE for more than 3 seconds, it will cancel your cycle and drain the washer.

## ADD A GARMENT



During Fill/Sensing or Wash phase, open the lid, add a garment, close the lid, and the cycle will resume.

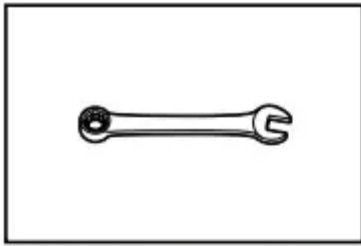
**NOTE:** The washer will not fill with the lid open. During the Spin cycle, the lid will be locked.

**IMPORTANT:** If lid is left open for more than 10 minutes, the wash cycle will cancel and the water will pump out.

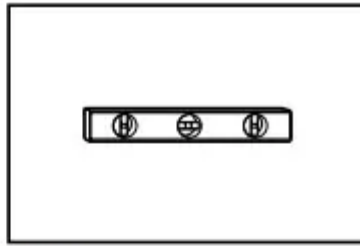
## INSTALLATION REQUIREMENTS

### Tools and Parts.

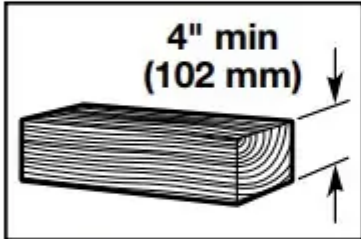
Tools needed:



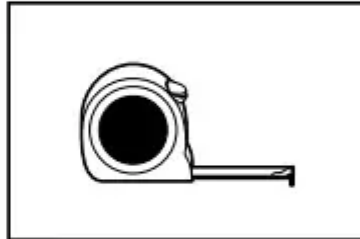
Adjustable or open end wrench  $\frac{9}{16}$ " (14 mm)



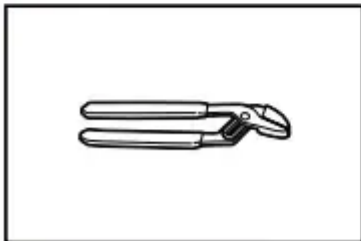
Level



Wood block

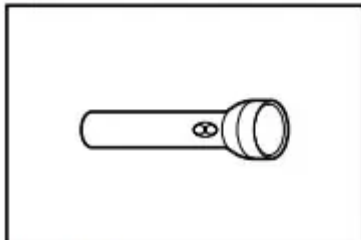


Ruler or measuring tape



Pliers that open to  $1\frac{3}{4}$ " (44.5 mm)

**Optional tools:**



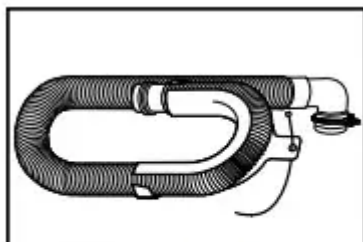
Flashlight



Bucket

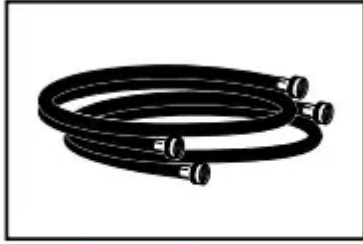
**Parts supplied:**

**NOTE:** All parts supplied for installation are in cardboard insert in the top of the washer.



Drain hose with clamp, U-form, and cable tie

**Parts needed:** (Not supplied with washer)



**Inlet hoses with  
flat washers**

To order, please refer to toll-free phone numbers on back page of your Use and Care Guide.

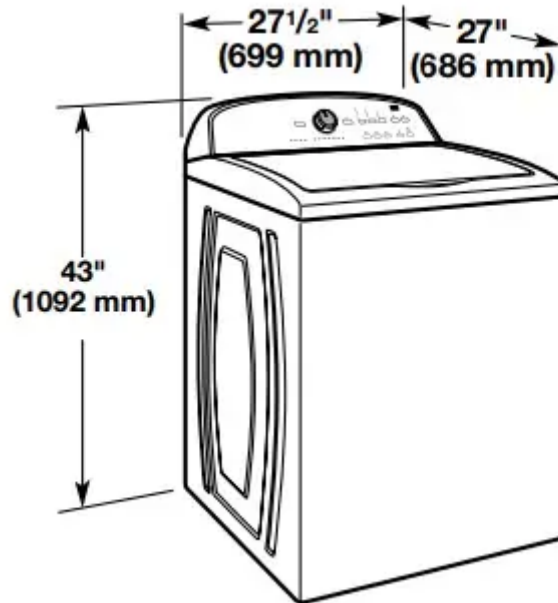
- 8212656RP 10 ft. (3.0 m) Inlet hose, Black EPDM (2 pack)
- 8212641RP 5 ft. (1.5 m) Inlet hose, Black EPDM (2 pack)
- 8212646RP 4 ft. (1.2 m) Inlet hose, Black EPDM (2 pack)
- 8212545RP 5 ft. (1.5 m) Inlet hose, Red and Blue EPDM (2 pack)
- 8212487RP 5 ft. (1.5 m) Nylon braided inlet hose (2 pack)
- 8212638RP 6 ft. (1.8 m) Nylon braided inlet hose, space saving 90° elbow, hypro-blue steel couplings (2 pack)
- 8212637RP 6 ft. (1.8 m) Inlet hose, Black EPDM, space saving 90° elbow, hypro-blue steel couplings (2 pack)

**Alternate parts:** (Not supplied with washer)

Your installation may require additional parts. To order, please refer to toll-free numbers on back page of your Use and Care Guide

### **Location Requirements**

Select proper location for your washer to improve performance and minimize noise and possible “washer walk”. Install your washer in a basement, laundry room, closet, or recessed area.

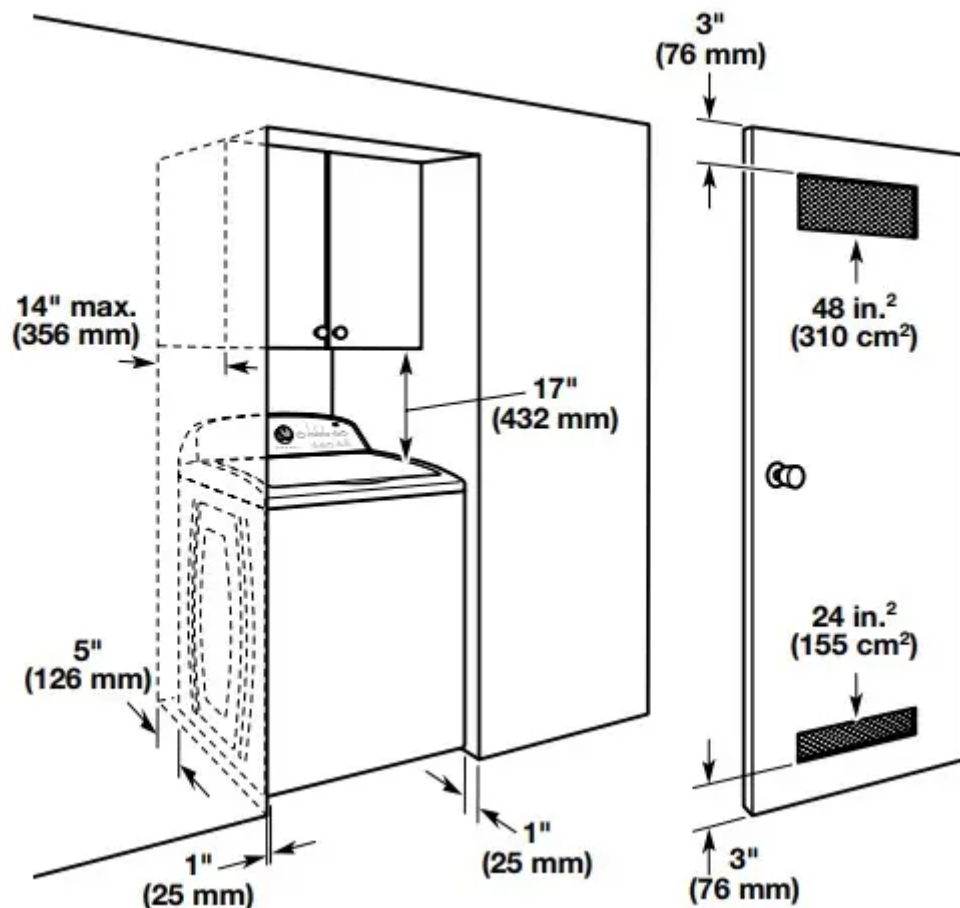


You will need:

- A water heater set to 120° F (49° C).
- A grounded electrical outlet located within 4 ft (1.2 m) of power cord on back of washer.
- Hot and cold water faucets located within 3 ft (0.9 m) of hot and cold water fill valves on washer, and water pressure of 20-100 psi (138-690 kPa).
- A level floor with maximum slope of 1" (25 mm) under entire washer. Installing on carpet is not recommended.
- Floor must support washer's total weight (with water and load) of 315 lbs (143 kgs).

**IMPORTANT:** Do not install, store, or operate washer where it will be exposed to weather or in temperatures below 32° F (0° C). Water remaining in washer after use may cause damage in low temperatures. See "Washer Care" in your Use and Care Guide for winterizing information. Proper installation is your responsibility.

### **Recessed area or closet installation**



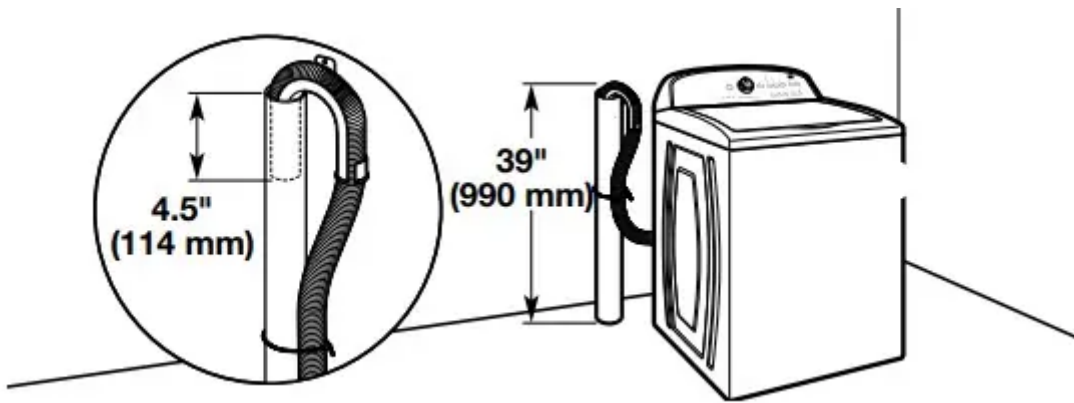
Dimensions show recommended spacing allowed, except for closet door ventilation openings which are minimum required. This washer has been tested for installation with spacing of 0" (0 mm) clearance on the sides. Consider allowing more space for ease of installation and servicing, and spacing for companion appliances and clearances for walls, doors, and floor moldings. Add spacing of 1" (25 mm) on all sides of washer to reduce noise transfer. If a closet door or louvered door is installed, top and bottom air openings in door are required

### Drain System

Drain system can be installed using a floor drain, wall standpipe, floor standpipe, or laundry tub. Select method you need.

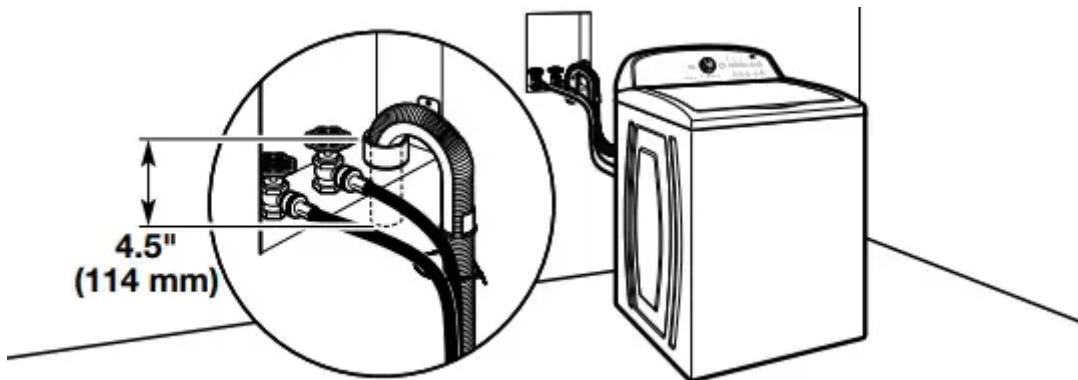
#### Floor standpipe drain system





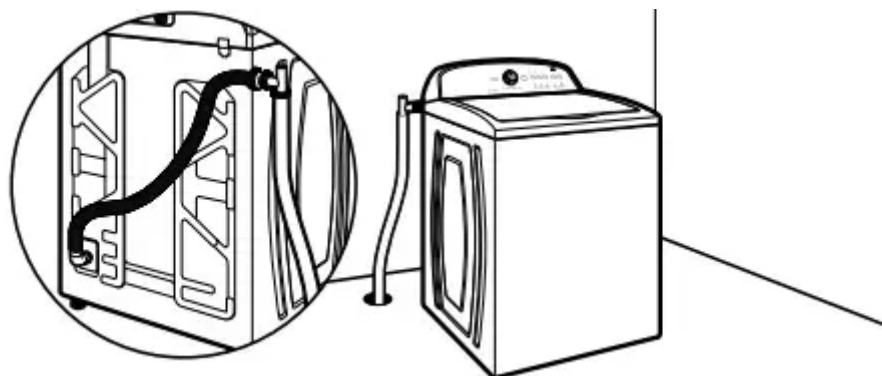
Minimum diameter for a standpipe drain: 2" (51 mm). Minimum carry-away capacity: 17 gal. (64 L) per minute. Top of standpipe must be at least 39" (990 mm) high; install no higher than 96" (2.44 m) from bottom of washer. If you must install higher than 96" (2.44 m), you will need a sump pump system. It is the responsibility of the installer to install and secure the drain hose into the provided plumbing/drain in a manner that will avoid the drain hose coming out of or leaking from the plumbing/drain.

#### Wall standpipe drain system



See requirements for floor standpipe drain system.

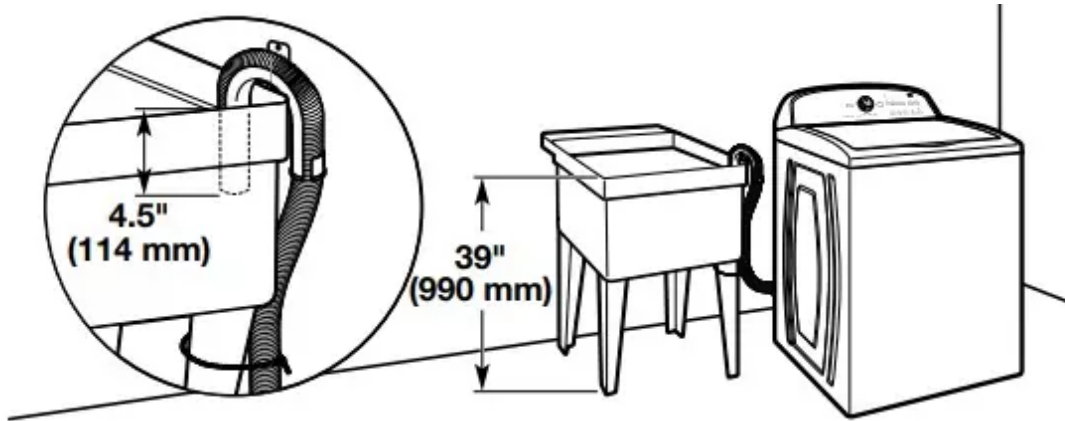
#### Floor drain system



Floor drain system requires a Siphon Break Kit (Part Number 285834), 2 Connector Kits (Part Number 285835), and an Extension Drain Hose (Part Number 285863) that may be purchased separately. To order, please see toll-free phone numbers in your

Use and Care Guide. Minimum siphon break: 28" (710 mm) from bottom of washer.  
(Additional hoses may be needed.)

### Laundry tub drain system



Minimum capacity: 20 gal. (76 L). Top of laundry tub must be at least 39" (990 mm) above floor; install no higher than 96" (2.44 m) from bottom of washer. **IMPORTANT:** To avoid siphoning, no more than 4.5" (114 mm) of drain hose should be inside standpipe or below the top of wash tub. Secure drain hose with cable tie.

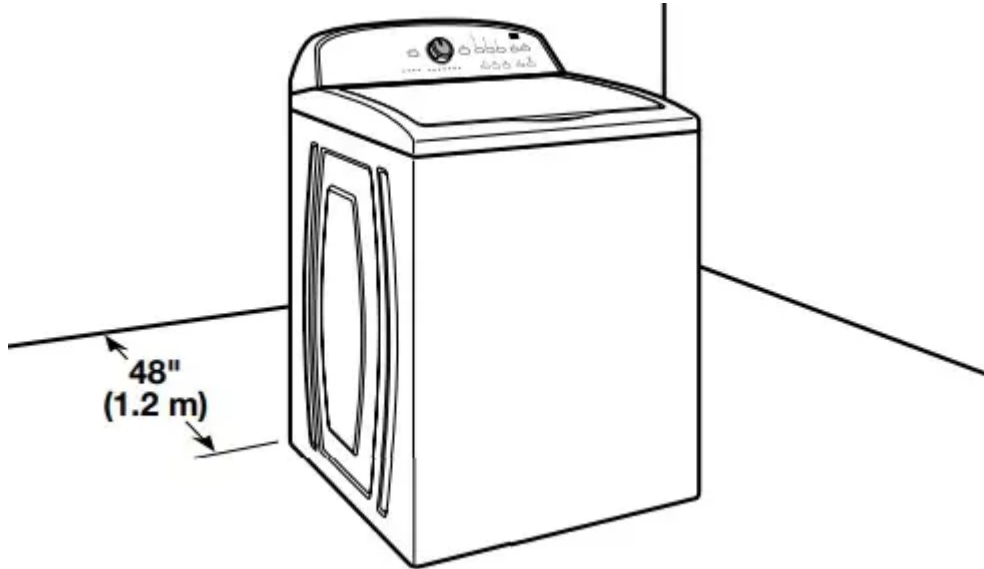
### Electrical Requirements

- A 120 volt, 60 Hz., AC only, 15- or 20-amp, fused electrical supply is required. A time-delay fuse or circuit breaker is recommended. It is recommended that a separate circuit breaker serving only this appliance be provided.
- This washer is equipped with a power supply cord having a 3 prong grounding plug.
- To minimize possible shock hazard, the cord must be plugged into a mating, 3 prong, grounding-type outlet, grounded in accordance with local codes and ordinances. If a mating outlet is not available, it is the personal responsibility and obligation of the customer to have the properly grounded outlet installed by a qualified electrician.
- If codes permit and a separate ground wire is used, it is recommended that a qualified electrician determine that the ground path is adequate.
- Do not ground to a gas pipe.
- Check with a qualified electrician if you are not sure the washer is properly grounded.
- Do not have a fuse in the neutral or ground circuit.

## INSTALLATION INSTRUCTIONS

Before you start: remove shipping materials It is necessary to remove all shipping materials for proper operation and to avoid excessive noise from washer.

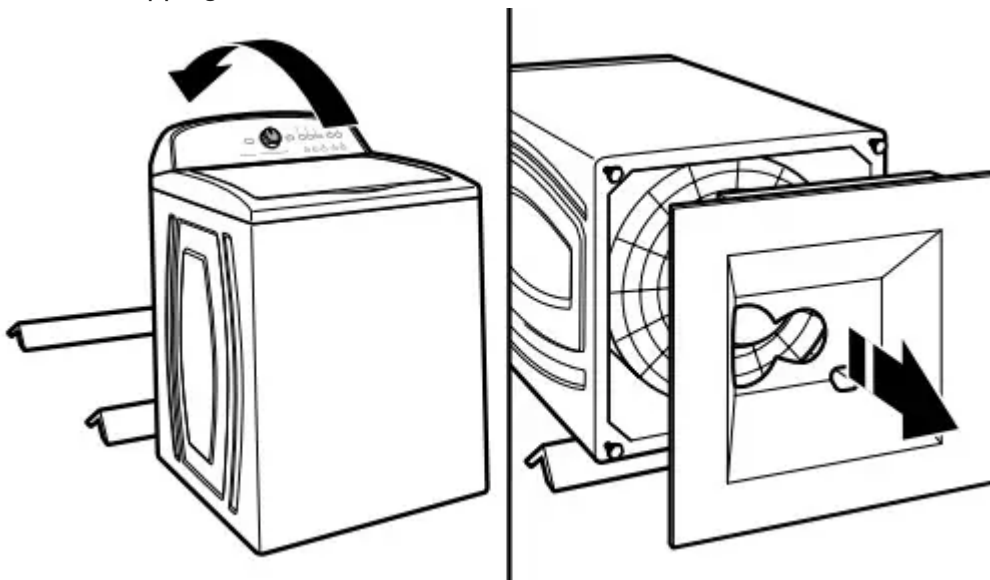
### 1. Move washer



Move washer to within 4 ft (1.2 m) of its final location; it must be in a fully upright position.

**NOTE:** To avoid floor damage, set washer onto cardboard before moving it and make sure lid is taped shut.

### 2. Remove shipping base

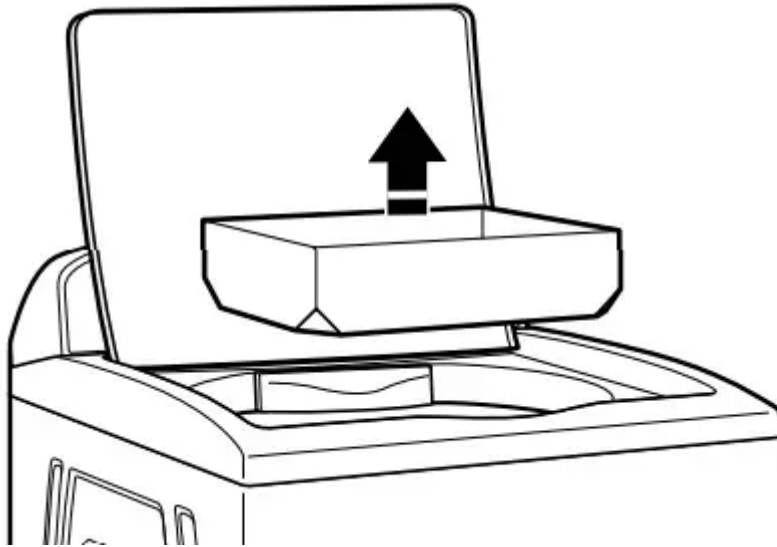


To avoid damaging floor, place cardboard supports from shipping carton on floor behind washer. Tip washer back and place on cardboard supports. Remove shipping base. Set washer upright.

**IMPORTANT:** Removing shipping base is necessary for proper operation. If your washer

includes a sound shield, please refer to the instructions included with the sound shield to install it at this time.

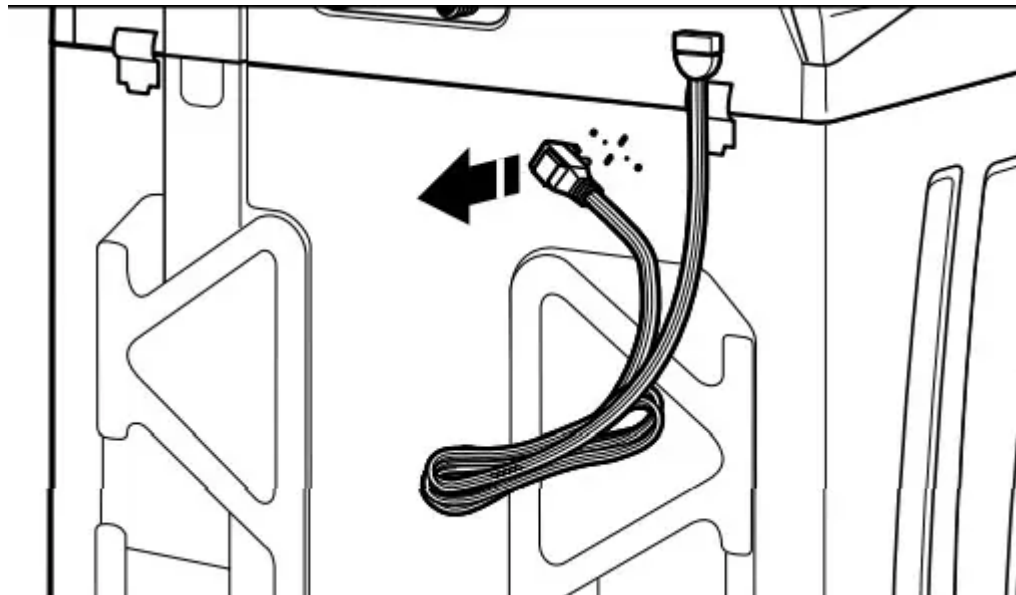
3. Remove packing tray from tub



Remove tape from washer lid, open lid and remove cardboard packing tray from tub. Be sure to remove all parts from tray.

**NOTE:** Keep tray in case you need to move washer later.

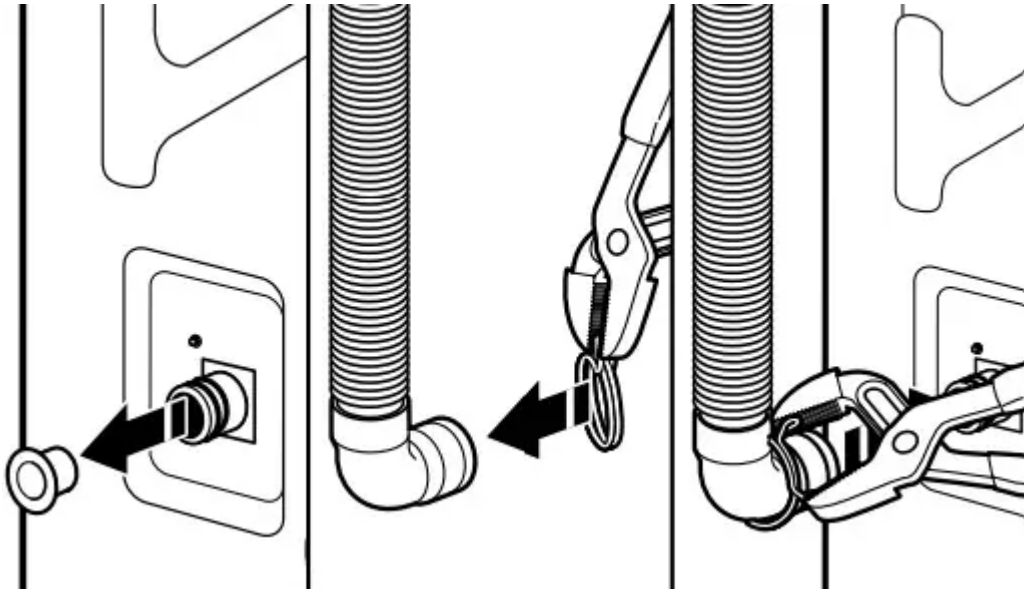
4. Free power cord



Firmly grasp power cord plug and pull to free from rear panel. Gently place power cord over console to allow free access to back of washer.

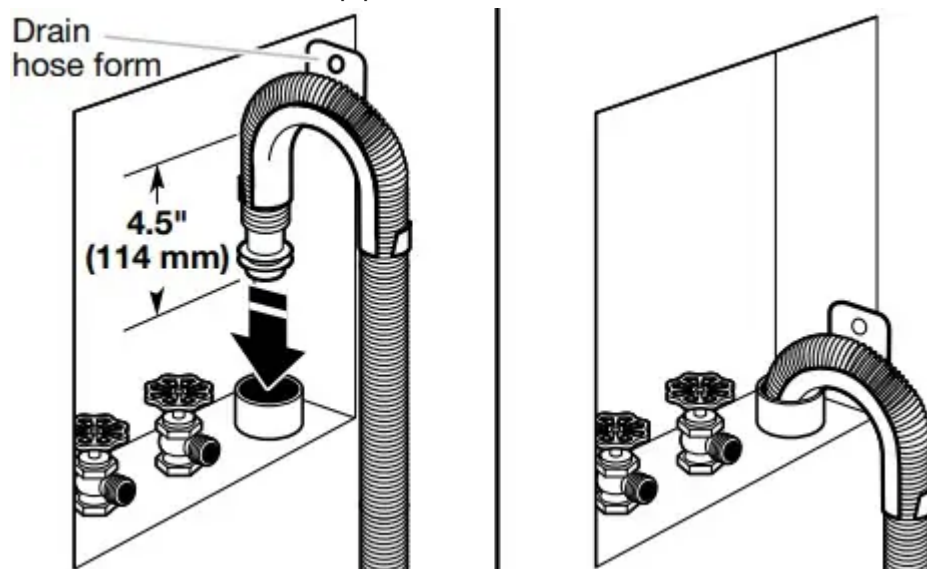
**Connect Drain Hose**

5. Attach drain hose to drain port



Remove the red plastic plug from the black drain port on the back of the washer. If clamp is not already in place on elbow end of drain hose, slide it over end as shown. Squeeze clamp with pliers and slide black elbow end of drain hose onto black drain port and secure with clamp. For a laundry tub or standpipe drain, go to step 6. For a floor drain, remove the preinstalled drain hose form as shown in Step 7. You may need additional parts with separate directions. See “Tools and Parts”.

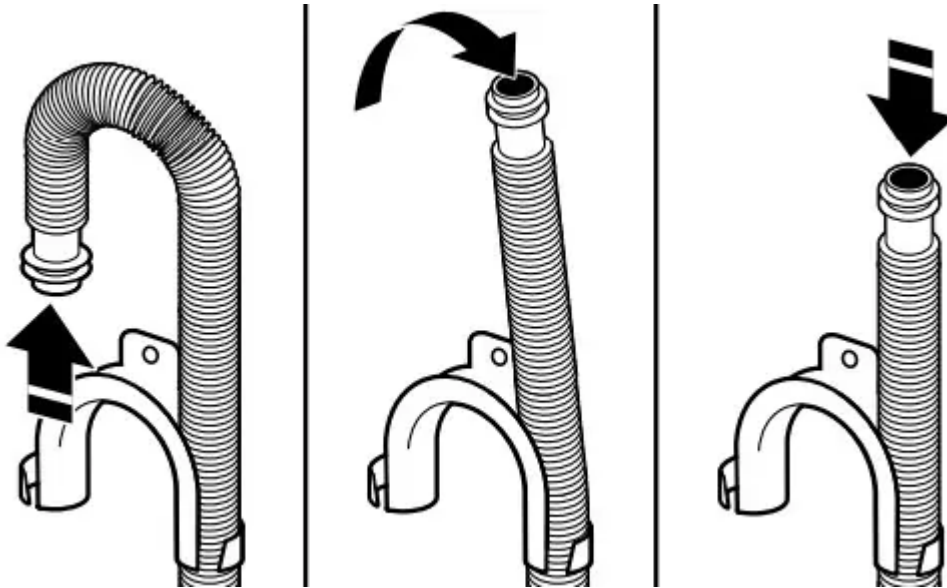
6. Place drain hose in standpipe



Place hose into standpipe (shown in picture) or over side of laundry tub.

**IMPORTANT:** 4.5" (114 mm) of drain hose should be inside standpipe; do not force excess hose into standpipe or lay on bottom of laundry tub. Drain hose form must be used.

7. Remove drain hose form (floor drain installations only)



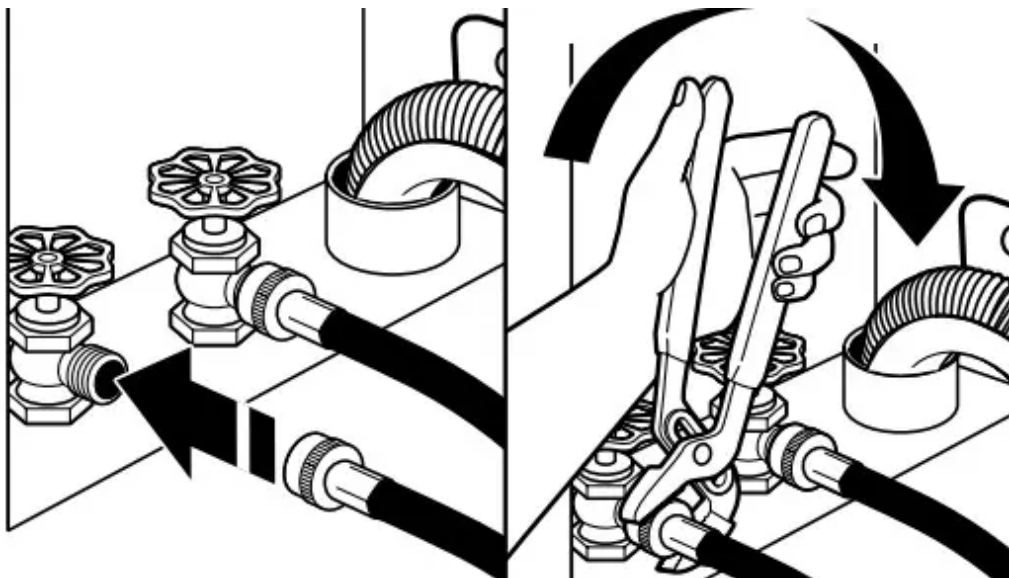
For floor drain installations, you will need to remove the drain hose form from the end of the drain hose. You may need additional parts with separate directions. See “Tools and Parts”.

**Connect Inlet Hoses**

Washer must be connected to water faucets with new inlet hoses with flat washers (not provided). Do not use old hoses.

**NOTE:** Both hoses must be attached and have water flowing to inlet valves. If you are only connecting to a cold water faucet, you must use a Y-adapter (not provided).

8. Connect inlet hoses to water faucets



Attach hose to hot water faucet. Screw on coupling by hand until it is seated on washer. Use pliers to tighten couplings an additional two-thirds turn. Repeat this step with second hose for cold water faucet.

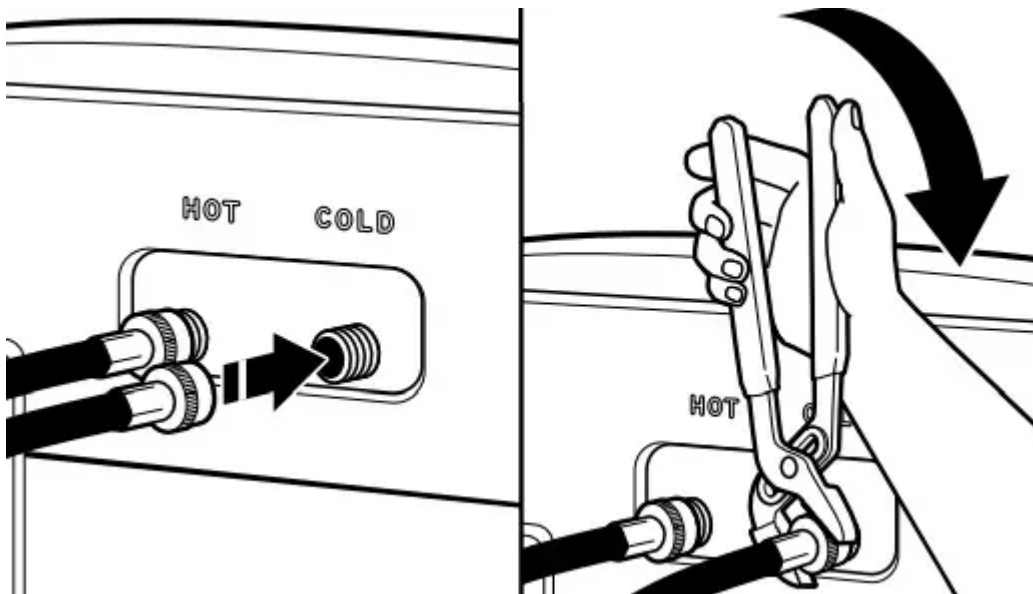
**IMPORTANT:** Do not overtighten or use tape or sealants on valve when attaching to faucets or washer. Damage can result.

9. Clear water lines



Run water for a few seconds through hoses into a laundry tub, drainpipe, or bucket to avoid clogs. Water should run until clear. Make note of which hose is connected to hot water to help in attaching hoses to washer correctly

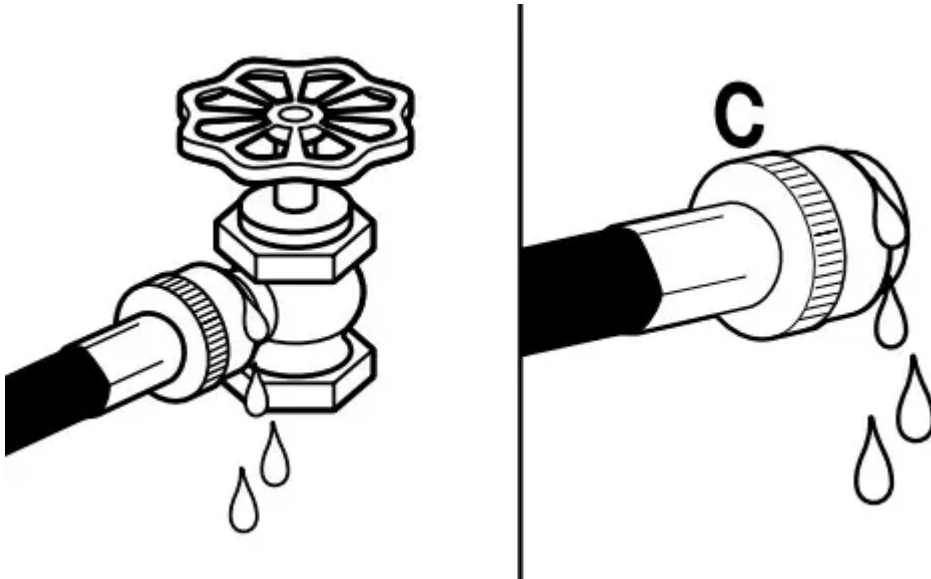
10. Connect inlet hoses to washer



Attach hot water hose to hot water inlet valve marked with a red ring. Screw coupling by hand until it is snug. Use pliers to tighten couplings an additional two-thirds turn. Repeat with cold water inlet valve.

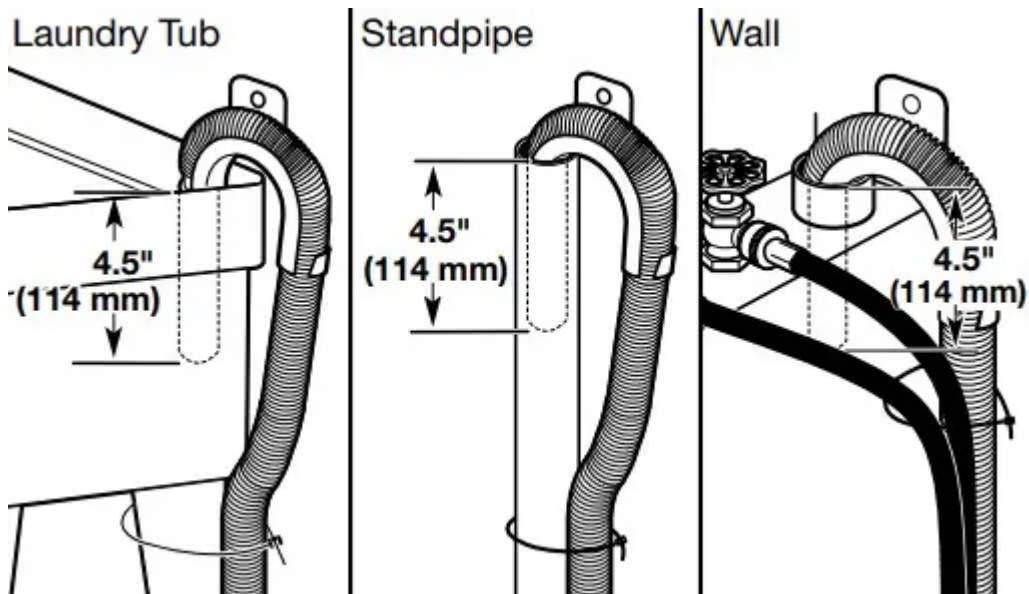
**IMPORTANT:** To reduce risk of hose failure, replace the hoses every 5 years. Record hose installation or replacement dates for future reference. n Periodically inspect and replace hoses if bulges, kinks, cuts, wear, or leaks are found.

11. Check for leaks



Turn on water faucets to check for leaks. A small amount of water may enter washer. It will drain later.

12. Secure drain hose



Secure drain hose to laundry tub leg, drain standpipe, or inlet hoses for wall standpipe with cable tie.

**Level Washer**

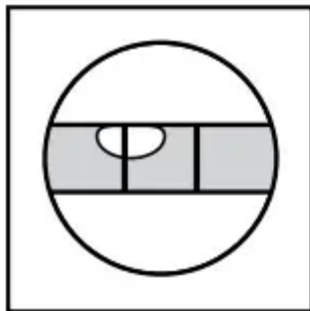
**IMPORTANT:** Level washer properly to reduce excess noise and vibration.



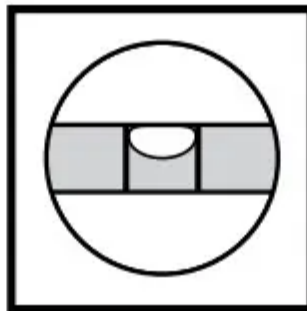
13. Check levelness of washer



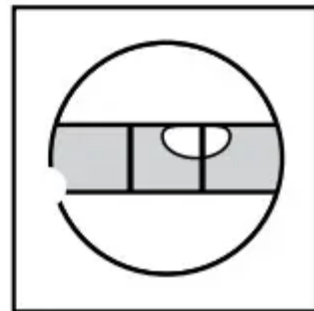
Move the washer to its final location. Place a level on top edges of washer. Use side seam as a guide to check levelness of sides. Check levelness of front using lid, as shown. Rock washer back and forth to make sure all four feet make solid contact with floor. If washer is level, skip to step 15, (on models with metal feet) or step 16 (on models with plastic feet).



Not Level

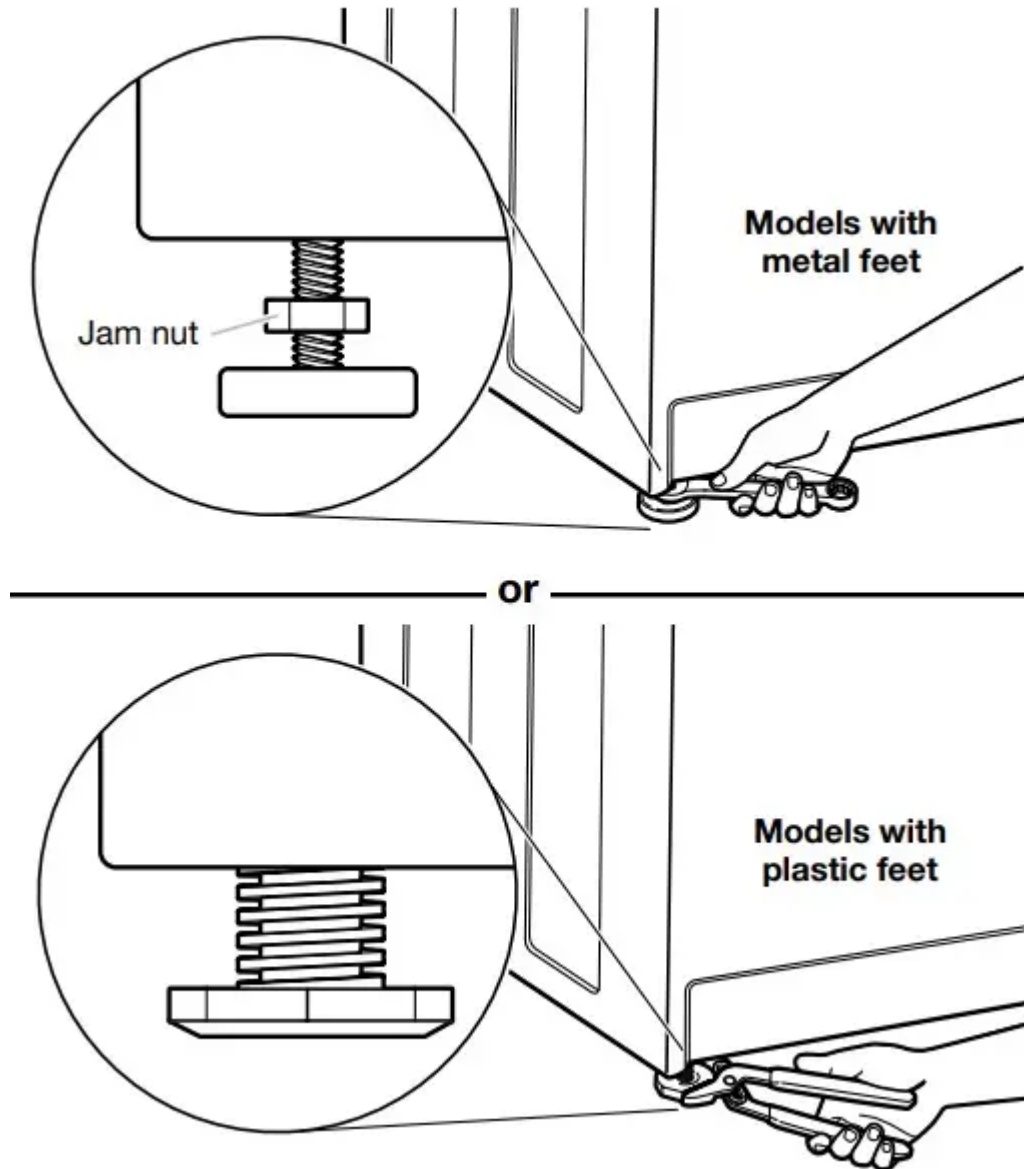


**LEVEL**



Not Level

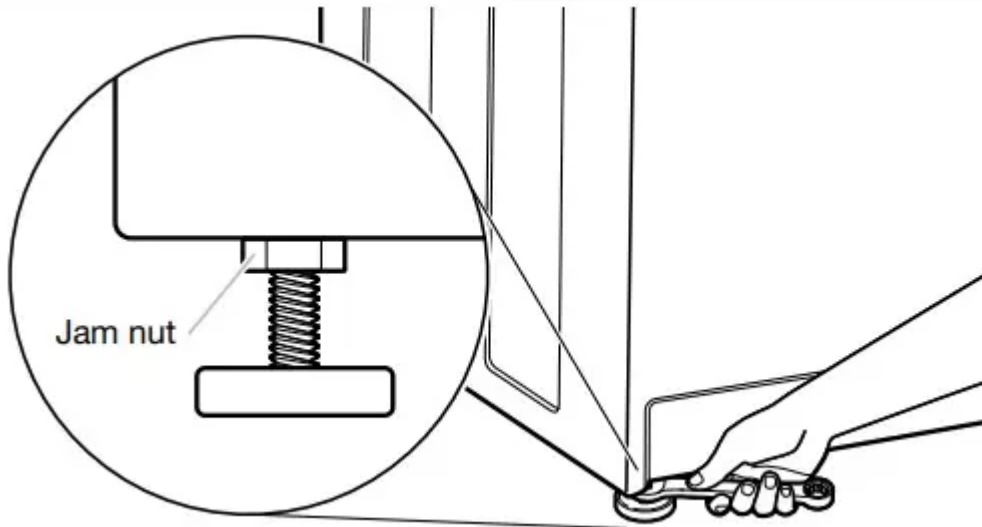
#### 14. Adjust leveling feet



If washer is not level: On models with metal feet, use a 9/16" or 14 mm open-end or adjustable wrench to turn jam nuts clockwise on feet until they are about 1/2" (13 mm) from the washer cabinet. Then turn the leveling foot clockwise to lower the washer or counterclockwise to raise the washer. On models with plastic feet, use adjustable pliers to turn the plastic leveling foot counterclockwise to lower the washer or clockwise to raise the washer. On all models, recheck levelness of washer and repeat as needed.

**HELPFUL TIP:** You may want to prop up front of washer about 4" (102 mm) with a wood block or similar object that will support weight of washer.

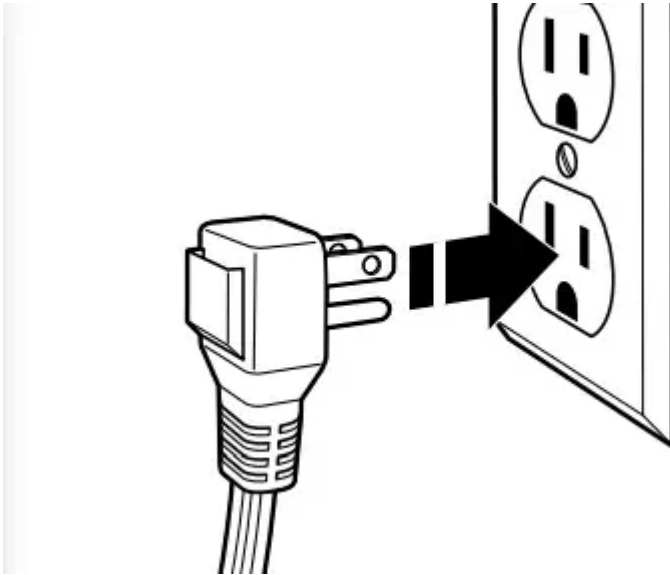
## 15. Tighten leveling feet



On models with metal feet, when washer is level, use a 9/16" or 14 mm open-end or adjustable wrench to turn jam nuts counterclockwise on leveling feet tightly against washer cabinet.

**HELPFUL TIP:** You may want to prop washer with wooden block.

## 16. Plug into a grounded 3 prong outlet



### Complete Installation Checklist

- Check electrical requirements. Be sure you have correct electrical supply and recommended grounding method.
- Check that all parts are now installed. If there is an extra part, go back through steps to see what was skipped.
- Check that you have all of your tools.
- Check that shipping materials were completely removed from washer.

- Check that water faucets are on.
- Check for leaks around faucets and inlet hoses.
- Remove protective film from console and any tape remaining on washer.
- Check that washer is plugged into a grounded 3 prong outlet.
- Dispose of/recycle all packaging materials.
- Read “Washer Care” in your Use and Care Guide.
- To test and clean your washer, measure 1/2 of normal recommended amount of powdered or liquid detergent and pour it into washer basket or detergent dispenser (on some models). Close lid. Select any cycle. Start washer and allow to complete full cycle.

**Warning**

This content is compiled from multiple sources and is provided for reference purposes only. It may not be complete or fully applicable to all situations. If you are unable to resolve your issue, please contact the product manufacturer or an authorized service provider for official support.