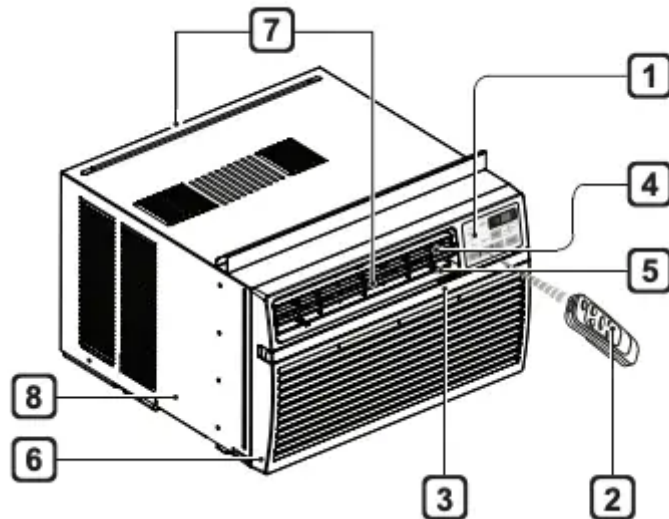


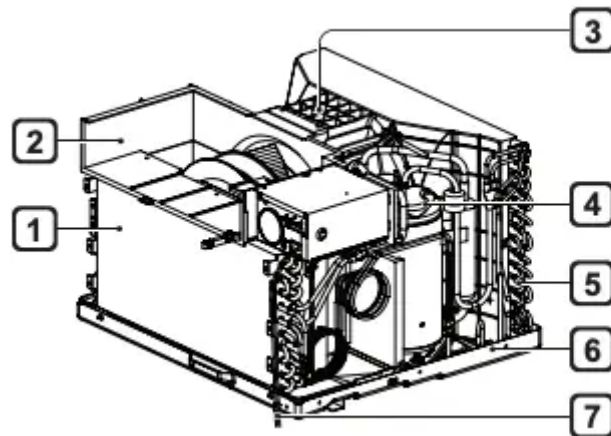
## PRODUCT OVERVIEW

### Exterior Parts



1. Control Panel
2. Remote Controller
3. Air Filter
4. Vertical Air Deflector (Horizontal Louver)
5. Horizontal Air Deflector (Vertical Louver)
6. Front Grille
7. Air Outlet
8. Cabinet

## Interior Parts



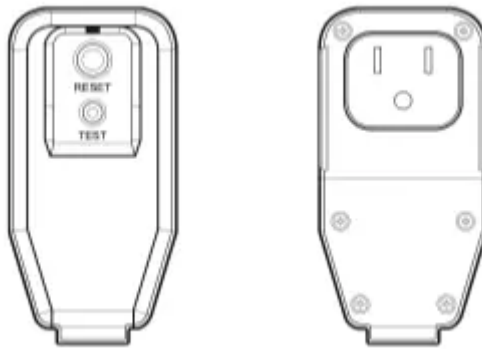
1. Evaporator
2. Air Guide
3. Brace
4. Compressor
5. Condenser
6. Base Pan
7. Power Cord


## INSTALLATION

### Electrical Data

Power cord may include a current interrupter device. TEST and RESET buttons are provided on the plug case. The device should be tested on a periodic basis by first pressing the TEST button and then the RESET button. If the TEST button does not trip or if the RESET button will not stay engaged, discontinue use of the air conditioner and contact a qualified service technician.

**for 120 V**



Use Wall Receptacle	Power Supply
 <p data-bbox="325 860 855 1003">Standard 120 V, 3-wire grounding receptacle rated 15 A / 120 VAC / 60 Hz</p>	<p data-bbox="895 770 1259 913">Use 15 A, time delay fuse or 15 A, circuit breaker.</p>

**WARNING**

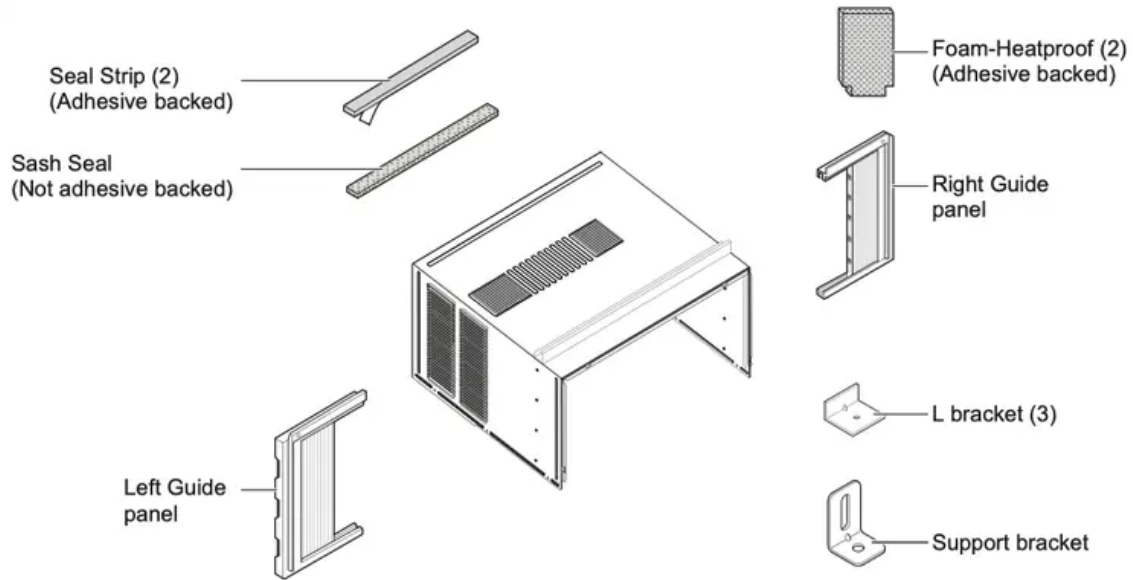
- This appliance should be installed in accordance with the National Electrical Code.
- Use of extension cords could cause serious injury or death.
  - Do not use an extension cord with this window air conditioner.
  - Do not use surge protectors or multi-outlet adapters with this window air conditioner.
- Never push the TEST button during operation. Doing so can damage the plug.
  - Do not remove, modify, or immerse this plug. If this device trips, the cause should be corrected before further use.

**CAUTION**

- The conductors inside this cord are surrounded by shields, which monitor leakage current. These shields are not grounded. Periodically examine the cord for any damage. Do not use this product in the event the shields become exposed. Avoid shock hazard. This unit cannot be user-serviced. Do not open the tamperresistant sealed portion. All warranties and performance will be voided. This unit is not intended to be used as an ON/OFF switch.



## Installation Overview



## Accessories



Type 'A' Screws  
(11)



Type 'B' Screws  
(5)

## Tools Needed



Phillips-head  
screwdriver



Flat-blade screwdriver



Adjustable wrench



Level



Tape measure



Cutting knife



Scissors



Pencil

## Clearance

Proper clearance enhances the cooling efficiency of the product.

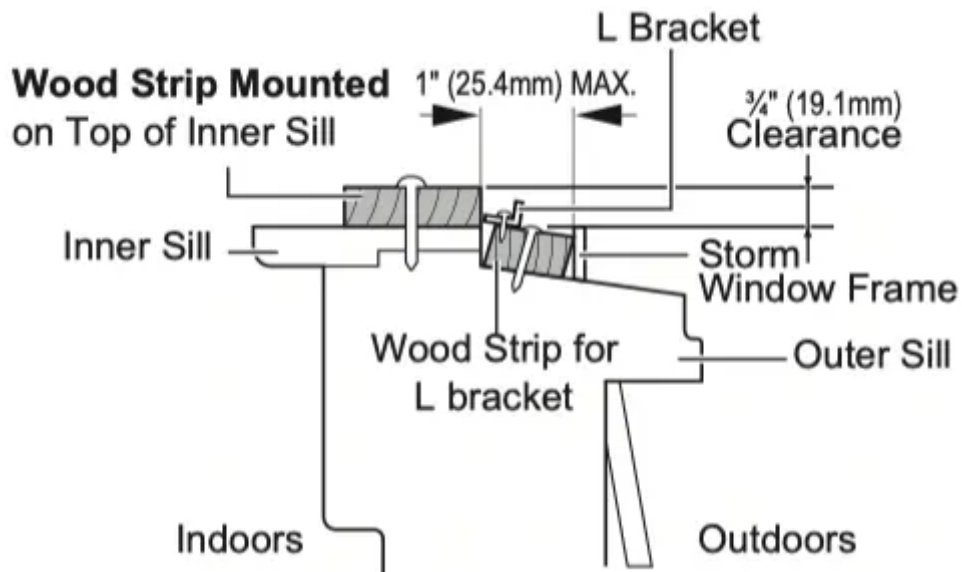
1. If storm window presents interference, fasten a 2" wide wood strip to the inner window sill across the full width of the sill. The wood strip should be thick enough to raise the height of

the window sill so that the unit can be installed without interference by the storm window frame.

2. The top of the wood strip on the inside sill should be approximately  $\frac{3}{4}$ " higher than the storm window frame or wood strip on the outside sill to help condensation to drain properly to the outside.

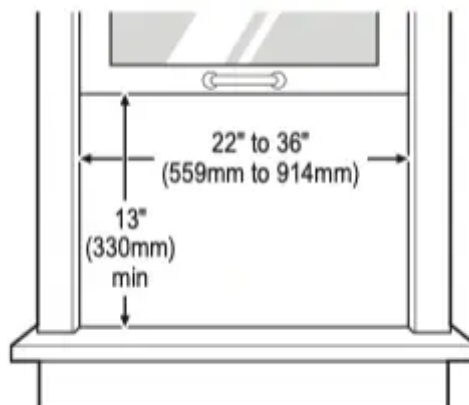
3. Install a second wood strip (approximately 6" long by 1  $\frac{1}{2}$ " wide and same thickness as first strip) in the center of the outer sill flush against the back off the inner sill. This will raise the L bracket as shown.

4. If the distance between STORM WINDOW FRAME and WOOD STRIP MOUNTED ON TOP OF INNER SILL is more than 1", two of wood strip are not necessary.



## Window Requirements

• This unit is designed for installation in standard double hung windows with actual opening widths from 22" to 36". The upper and lower window sashes must open sufficiently to allow a clear vertical opening of 13" from the bottom of the upper sash to the window sill.



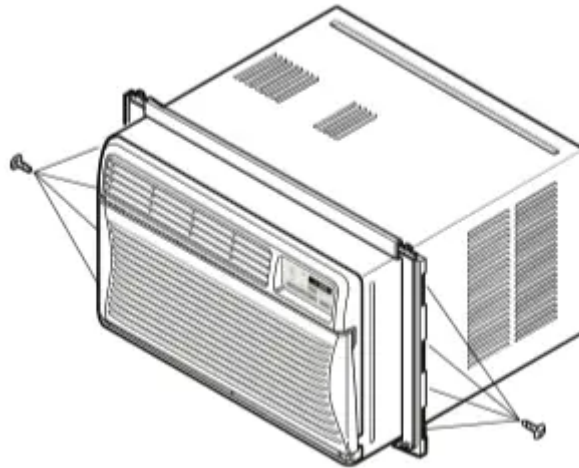
## NOTE



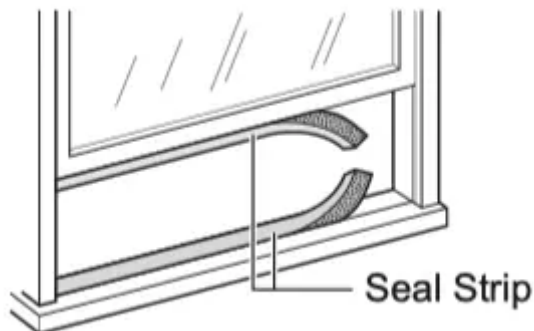
- This product is a WINDOW AIR CONDITIONER. As such, a standard single-hung or double-hung window is required for proper installation. No-window installations, including using sleeves, holes in walls, and other installations are not recommended.

## Preparation of Chassis

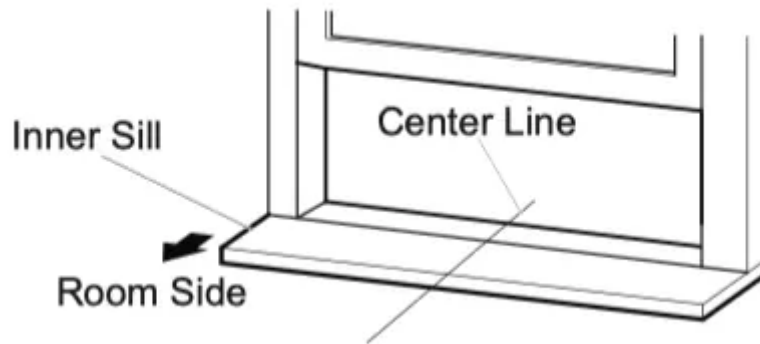
1. Insert the guide panels into the guides of the air conditioner. Fasten the curtains to the unit with screws (Type A).



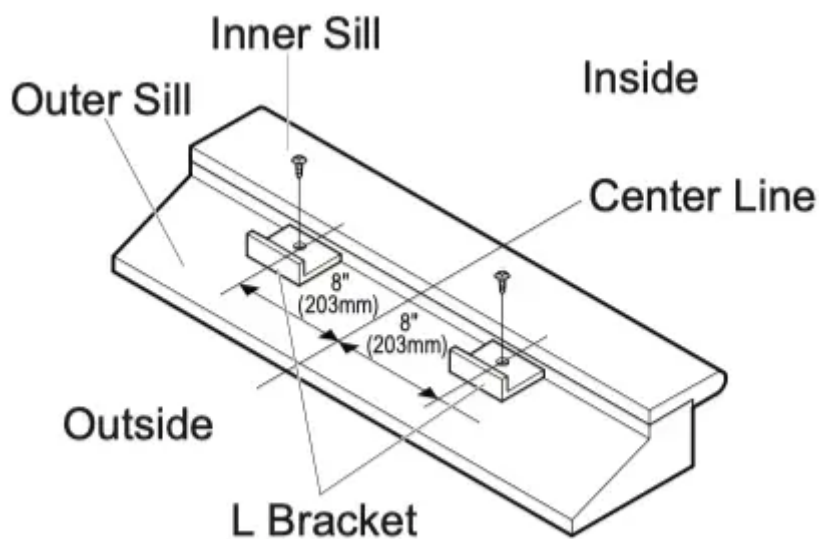
2. Cut the adhesive-backed seal strip to the window length. Remove the backing from seal strip and attach the seal strip to the underside of the window sash and bottom of window frame.



3. Open the window and mark center line on the center of the inner sill.



4. Install the L bracket behind the inner window sill, with short side of bracket as shown. Use the 2 screws (Type A) provided.



**NOTE**

- The bracket helps to hold unit securely in place. Be sure to place bracket edge flush against back of inner sill.

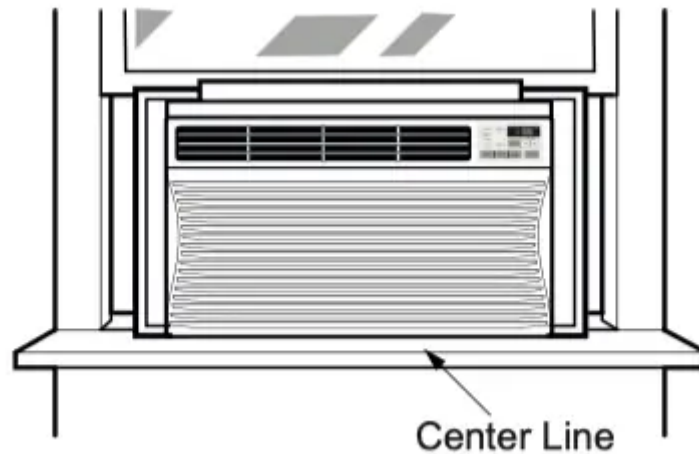
**Unit Installation**

**CAUTION**

- During the following step, hold unit firmly until window sash is lowered to top channel behind side panel frames. Personal injury or property damage may result if unit falls from window.

1. Carefully lift the air conditioner and slide it into the open window. Make sure the bottom guide of the air conditioner drops into the notches of the L bracket.

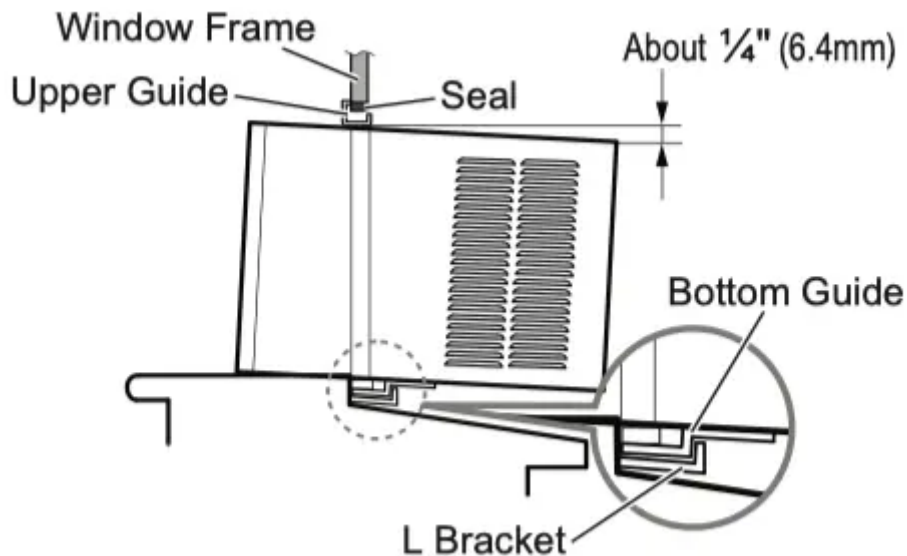




**NOTE**

- When the air conditioner drops into the L bracket, the air conditioner will be centered in window opening.

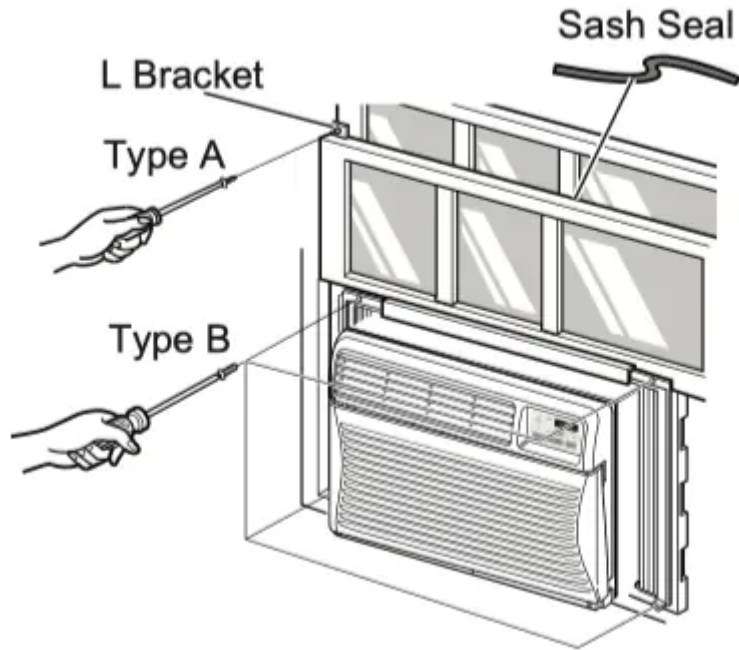
2. While steadying the air conditioner, carefully bring the window sash down behind the upper guide of the air conditioner. When the air conditioner is properly installed, it should tilt slightly down at the back. If it is set correctly in the window, it will hang lower in the back automatically. If it does not, there is a problem with the installation.



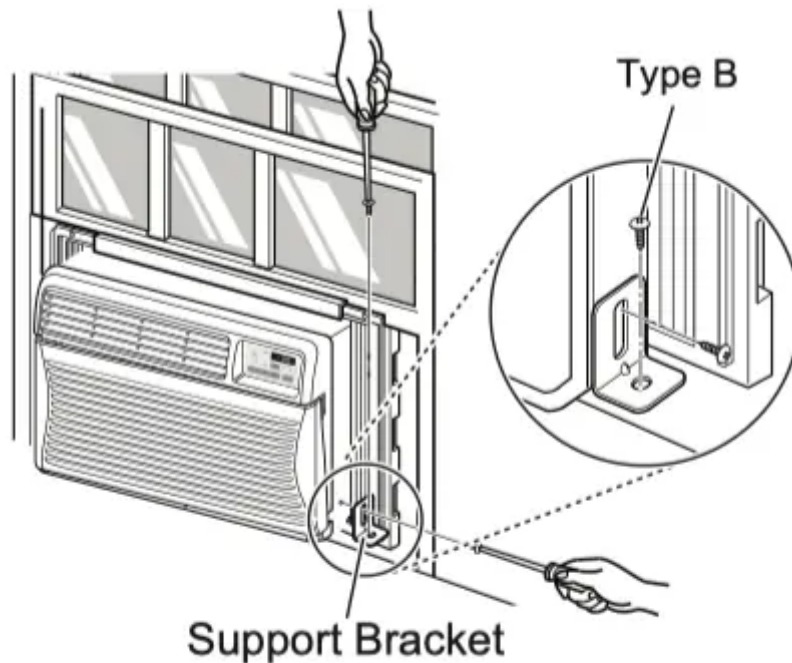
3. Extend the guide panels to fill the window opening using 4 screws (Type B) to secure them.

4. Cut the sash seal to the window width. Stuff the sash seal between the glass and the window to prevent air and insects from getting into the room. Fasten the L bracket using a screw (Type A). Remove the screws that secure the cabinet and base pan in the right side.





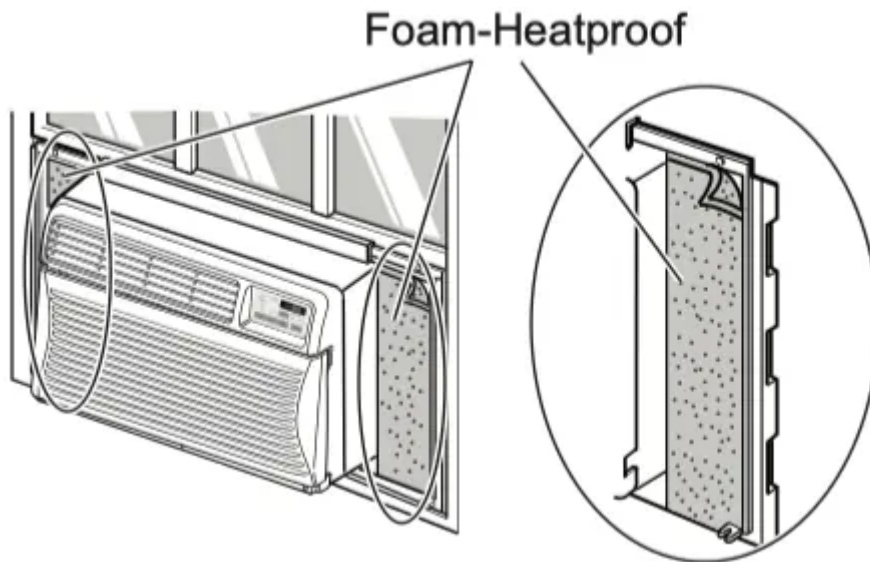
5. Fasten the support bracket using a screw removed from the air conditioner cabinet. Attach the support bracket to the inner window sill with a screw (Type B).



6. Cut the adhesive-backed Foam-Heatproof to match the size of the guide panels. Remove the backing from the Foam-Heatproof and attach it to the guide panels.

**NOTE**

- Foam-Heatproof improves the cooling capability of the unit.

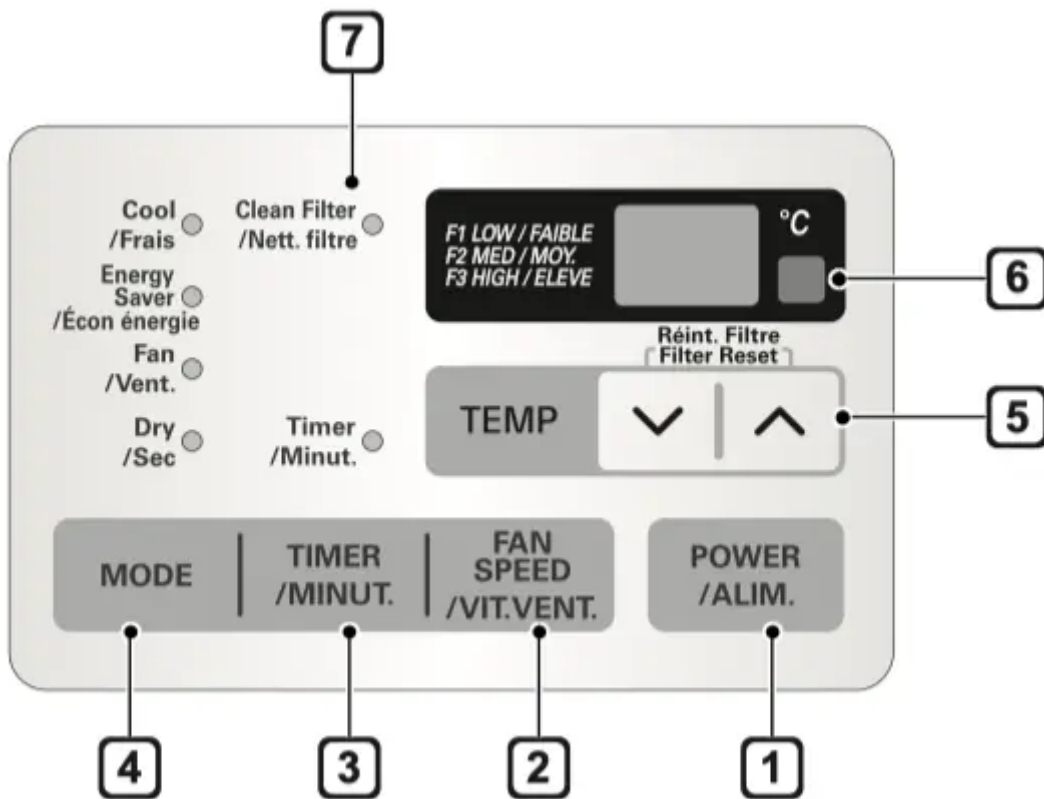


**NOTE**

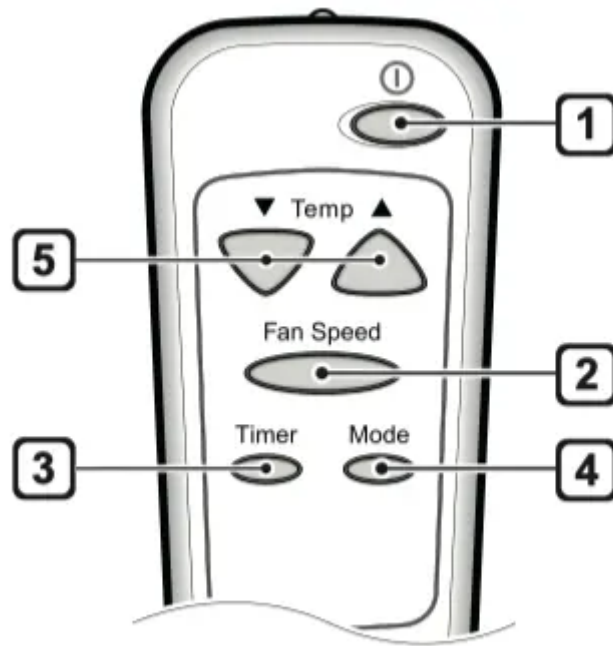
- See the 'Electrical Data' section for information on attaching the power cord to an electrical outlet.

**OPERATION**

**Control Panel and Remote Control**



## Remote Control



### 1. Power

Operation starts when this button is pressed and stops when you press the button again.

### 2. Fan Speed

Use to set the fan speed to Low (F1), MED (F2), High (F3).

### 3. ON/OFF Timer

**Delay ON** - When the air conditioner is off, it can be set to automatically turn on from 1 to 24 hours at its previous mode and fan settings.

**Delay OFF** - When the air conditioner is on, it can be set to automatically turn on from 1 to 24 hours.

### NOTE

- Each press of the Timer button advances the timer by 1 hour. After the last press the display returns to the temperature setting.

### 4. Operation Mode Selector

Push the Mode button to rotate between Energy Saver / Cool / Fan / Dry.



**Energy Saver** - The fan stops when the compressor stops cooling. Approximately every 3 minutes the fan will turn on and check the room air temperature if cooling is needed.

**Cool** - Compressor runs and cools the room. Use the  $\wedge$  |  $\vee$  and FAN buttons to set the desired temperature and circulation fan speed.

**Fan** - Fan circulates air but the compressor does not run. Use the FAN button to set the desired fan speed.

**Dry** - Dry mode is used to remove humidity from the room without additional cooling. Once the set temperature is reached, the compressor and circulation fan turns off. Fan speed is pre-set and cannot be adjusted.

## 5. Temperature Control

The thermostat monitors room temperature to maintain the desired temperature. The thermostat can be set between 60 °F–86 °F (16 °C–30 °C). Press  or  arrows to increase or decrease temperature setting.

## 6. Remote Control Sensor

## 7. Clean Filter

The Clean Filter LED lights up to notify you that the filter needs to be cleaned. After cleaning the filter, press Temp and together on the control panel to turn off the Clean Filter light.

### NOTE

- The filter reset must be done using the control panel, not the remote control.
- This feature is a reminder to clean the air filter for more efficient operation. The LED light turns on after 250 hours of operation.

### NOTE

- Auto Restart: If the air conditioner turns off due to a power outage, it will restart automatically once the power is restored, with the same settings as were set before the unit turned off.
- Energy Saver: The unit defaults to the Energy Saver mode each time the unit is switched on except in Fan mode or when power is restored after an electrical power outage.
- The remote control will not function properly if the AC infrared sensor is exposed to direct light or if there are obstacles between the remote controller and the air conditioner.

## Wireless Remote Control

### Inserting Battery

1. Remove the cover from the back of the remote controller.



2. Insert one battery.



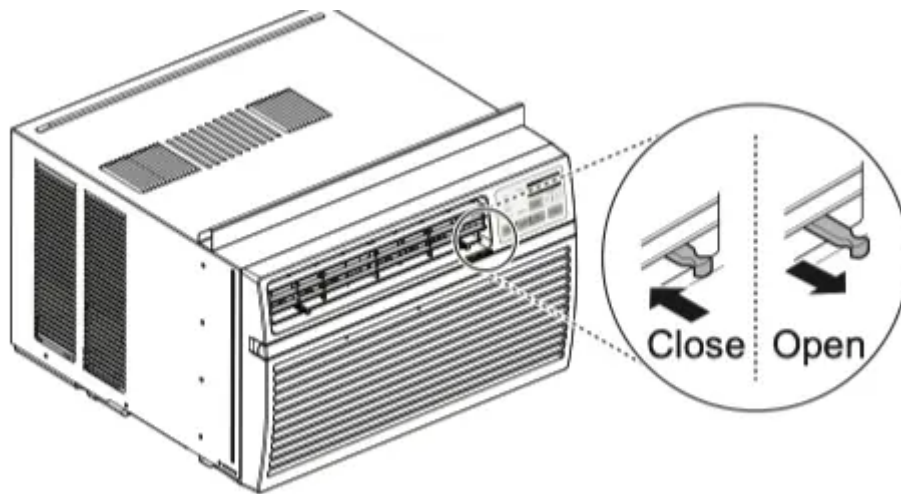
3. Reattach the cover.

#### NOTE

- Be sure that the (+) and (-) directions are correct.
- Be sure that the battery is new.
- Do not use a rechargeable battery.
- In order to prevent discharge, remove the battery from the remote control if the air conditioner is not going to be used for an extended period of time.
- Keep the remote control away from extremely hot or humid places.
- To maintain optimal operation of the remote control, the remote sensor should not be exposed to direct sunlight.

#### Ventilation

Push the ventilation lever in to the closed position to maintain the best cooling performance. Pull the ventilation lever out to open the vent and draw fresh air into the room.

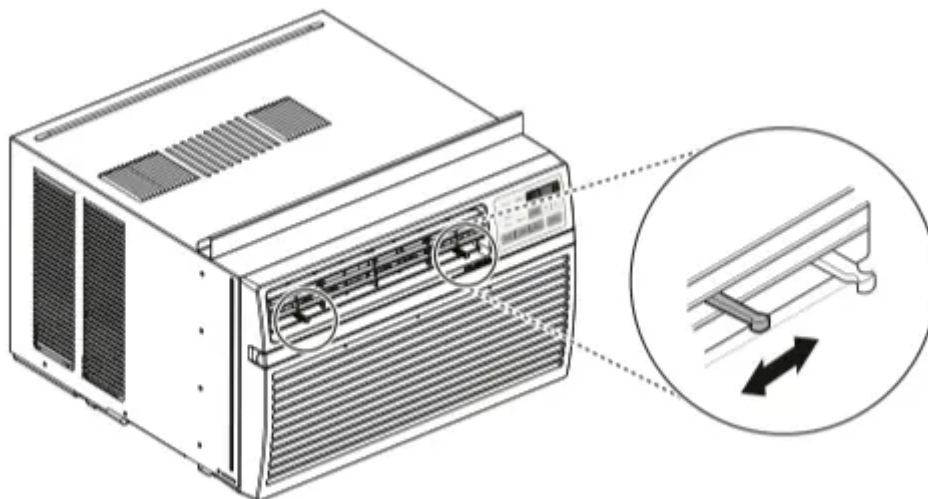


## **Air Direction**

Airflow can be adjusted by changing the direction of the air conditioner's louvers.

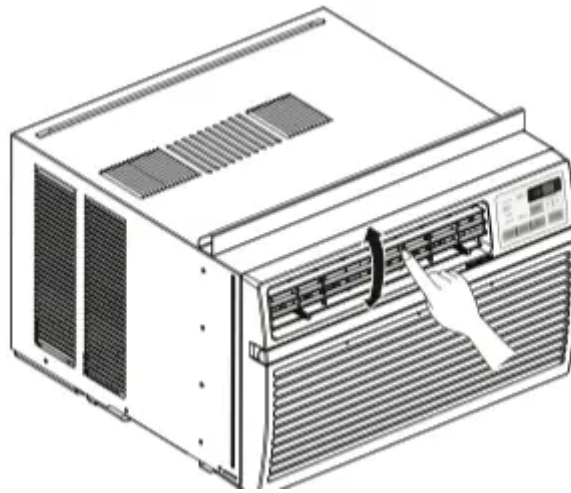
### **Adjusting Horizontal Airflow Direction**

The horizontal airflow is adjusted by moving the levers of the vertical louvers to the left or right.



### **Adjusting Vertical Airflow Direction**

Touch the horizontal louvers to adjust the airflow up or down.



## NOTE

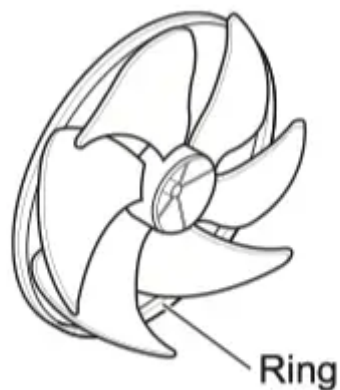
- When the weather is extremely hot, the unit may turn off automatically to protect the compressor.

## Additional Features

### Slinger Fan

This air conditioner is equipped with a slinger fan. (See drawing.)

The fan's outer ring picks up the condensed water from the base pan if the water level gets high enough. The water is then picked up by the fan and expelled through the condenser, making the air conditioner more efficient.



## MAINTENANCE

### WARNING

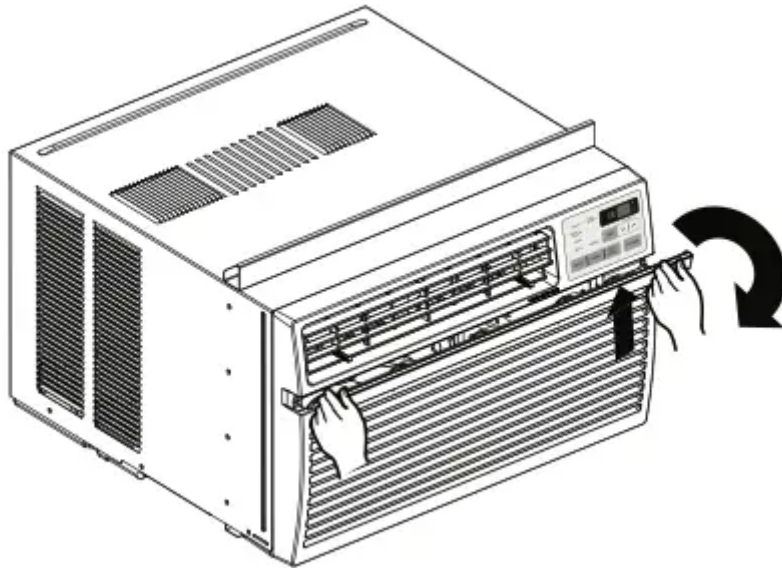
Before cleaning or performing maintenance, disconnect the power supply and wait until the fan stops.

## Air Filter

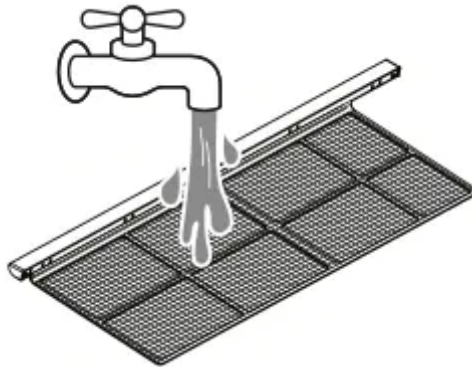
Check the air filter at least twice a month to see if cleaning is necessary. Trapped particles in the filter can build up and block the airflow, reducing cooling capacity and causing an accumulation of frost on the evaporator.

### Cleaning the Air Filter

1. Remove the air filter from the front grille by pulling the filter forward and then up slightly.



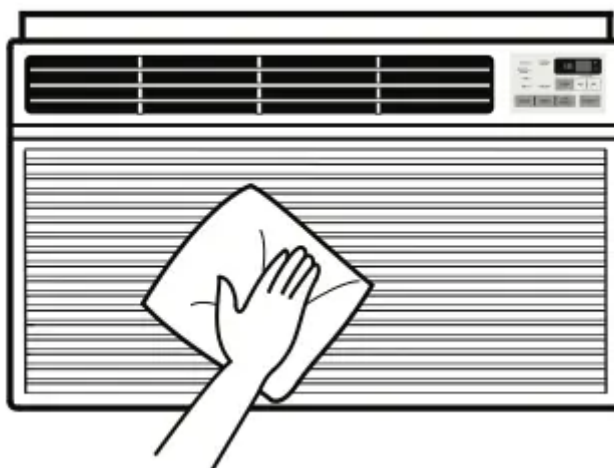
2. Wash the filter using lukewarm water below 40 °C (104 °F).



3. Gently shake the excess water from the filter and replace.

### Cleaning the Air Conditioner

- Wipe the front grille and inlet grille with a cloth dampened in a mild detergent solution.
- Wash the cabinet with mild soap or detergent and lukewarm water, then polish using liquid appliance wax.



## NOTE

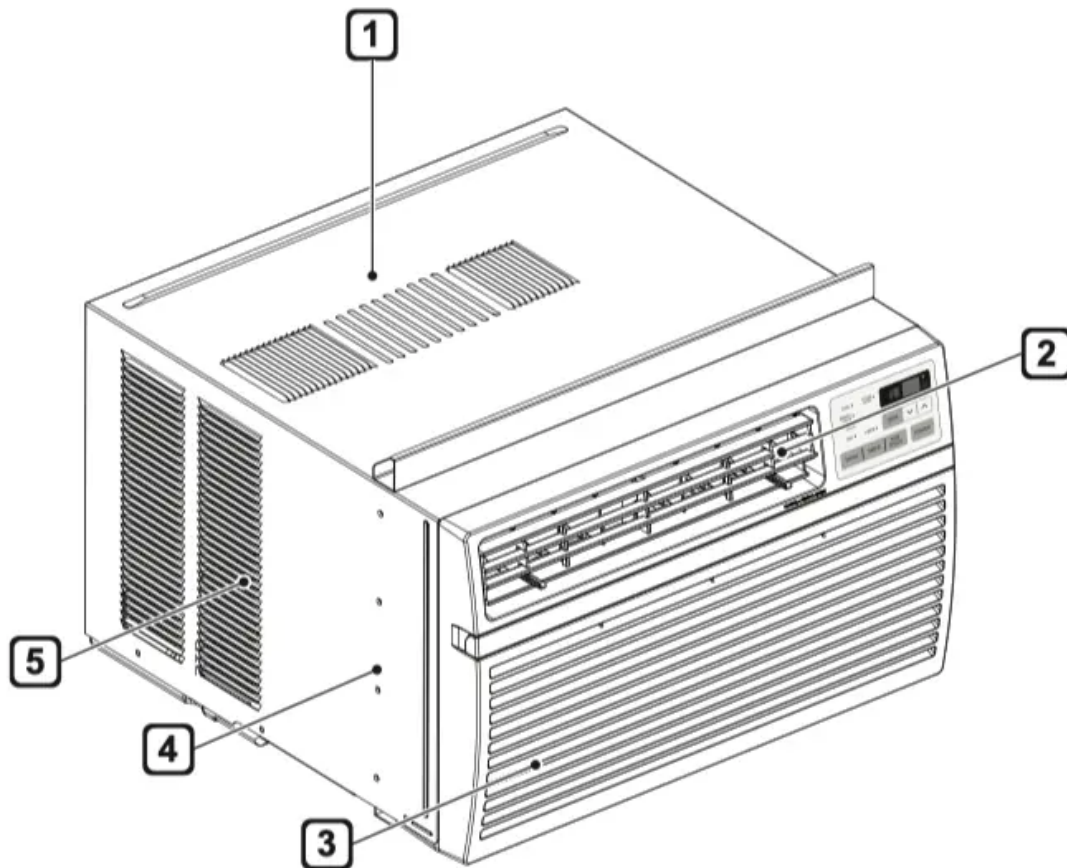
- To ensure continued peak efficiency, the condenser coils (outside of unit) should be checked periodically and cleaned if clogged with soot or dirt from outside air.
- For repair and maintenance, contact an Authorized Service Center. See the warranty page for details or call 1-888-LG-CANADA (542 2623). Have your model number and serial number available. They should be written on page 22 of this manual.

## TROUBLESHOOTING

### Before Calling for Service

The appliance is equipped with an automatic error-monitoring system to detect and diagnose problems at an early stage. If the appliance does not function properly or does not function at all, check the following before you call for service.

## Normal Sounds You May Hear



### 1. High Pitched Chatter

Today's high efficiency compressors may have a high pitched chatter during the cooling cycle.

### 2. Sound of Rushing Air

At the front of the unit, you may hear the sound of rushing air being moved by the fan.

### 3. Gurgle/Hiss

Gurgling or hissing noise may be heard due to refrigerant passing through evaporator during normal operation.

### 4. Vibration

Unit may vibrate and make noise because of poor wall or window construction or incorrect installation.

### 5. Pinging or Swishing

Droplets of water hitting condenser during normal operation may cause pinging or swishing sounds.

<b>Problem</b>	<b>Possible Cause</b>	<b>Solutions</b>
<b>Air conditioner does not start.</b>	The air conditioner is unplugged.	Make sure the air conditioner plug is pushed completely into the outlet.
	The fuse is blown/ circuit breaker is tripped.	Check the house fuse/circuit breaker box and replace the fuse or reset the breaker.
	Power failure.	If power failure occurs, turn the mode control to off. When power is restored, wait 3 minutes to restart the air conditioner to prevent tripping of the compressor overload.
	The current interrupter device is tripped.	Press the RESET button located on the power cord plug. If the RESET button will not stay engaged, discontinue use of the air conditioner and contact a qualified service technician.
<b>Air conditioner does not cool as it should.</b>	Airflow is restricted.	Make sure there are no curtains, blinds, or furniture blocking the front of the air conditioner.
	The temp control may not be set correctly.	Set the desired temperature to a level lower than the current temperature.
	The air filter is dirty.	Clean the filter at least every 2 weeks. See the 'MAINTENANCE' section.
	The room may have been hot.	When the air conditioner is first turned on, you need to allow time for the room to cool down.
	Cold air is escaping.	Check for open furnace floor registers and cold air returns.

	Cooling coils have iced up.	See 'Air conditioner freezing up' below.
<b>Air conditioner freezing up.</b>	The cooling coils are iced over.	Ice may block the air flow and obstruct the air conditioner from properly cooling the room. Set the mode control at High Fan or High Cool.
<b>Water drips outside.</b>	Hot, humid weather.	This is normal.
<b>Water drips indoors.</b>	The air conditioner is not tilted to the outside.	For proper water disposal, make sure the air conditioner slants slightly from the cabinet front to the rear.
<b>Water collects in base pan.</b>	Moisture removed from air and drains into base pan.	This is normal for a short period in areas with little humidity; normal for a longer period in very humid areas.
<b>Air conditioner turns on and off rapidly.</b>	Dirty air filter - air restricted.	Clean air filter.
	Outside temperature extremely hot.	Refer to installation instructions or check with installer.
<b>Noise when unit is cooling.</b>	Air movement sound.	This is normal. If too loud, set to lower FAN setting.
	Window vibration - poor installation.	Refer to installation instructions or check with installer.
<b>Remote sensing deactivating prematurely.</b>	Remote control not located within range.	Place remote control within 20 feet & 120° radius of the front of the unit.
	Remote control signal obstructed.	Remove obstruction.
<b>Room too cold.</b>	Set temperature too low.	Increase set temperature.

## NOTE

- You can refer to the Energy Star program in detail at [energystar](http://energystar.gov)

- If you see "CH" in the display, please call 1-888-LG-CANADA(542 2623).

**Warning**

This content is compiled from multiple sources and is provided for reference purposes only. It may not be complete or fully applicable to all situations. If you are unable to resolve your issue, please contact the product manufacturer or an authorized service provider for official support.

---

Document generated by [ManualsFile](#)

