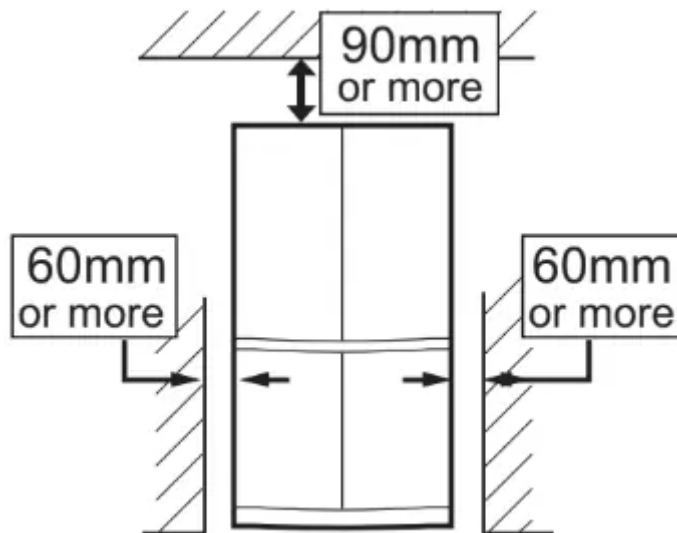


Installation

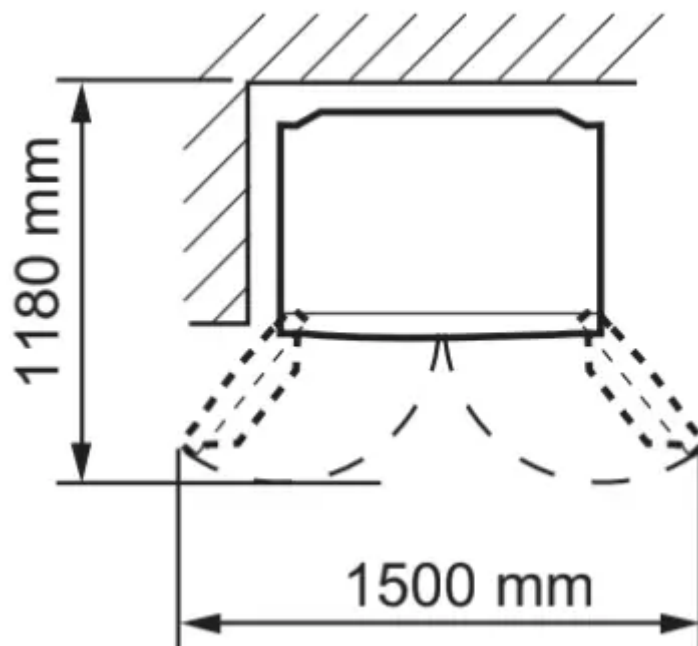
1. Keep adequate ventilation space around the refrigerator.

- The figure shows the minimum required space for installing the refrigerator. The amount of space around the refrigerator affects the amount of power consumption.
- Insufficient spacing will decrease cooling efficiency and increase energy consumption. This may reduce the life of the unit and void warranty.
- If using the refrigerator in the smaller space dimension than figured, it may cause temperature rise in the unit, loud noise and failure.
- The space between the rear of the refrigerator and the wall should be 60mm or more, and less than 75mm.

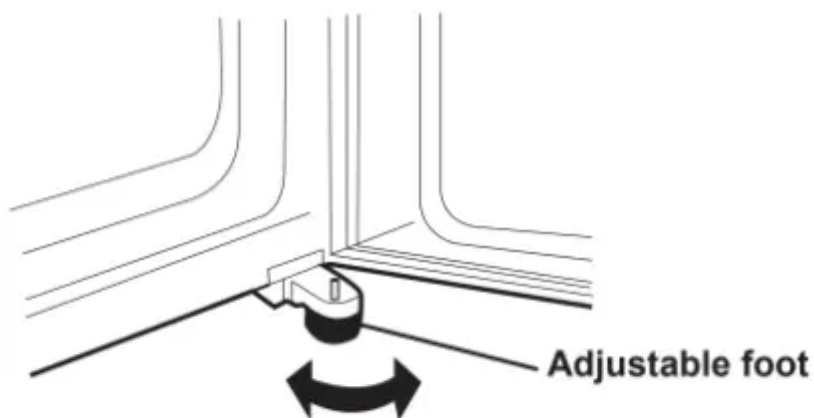
If the space is wider than 75mm, you may get injured by touching the compressor and its peripheral parts which are extremely hot during the operation.



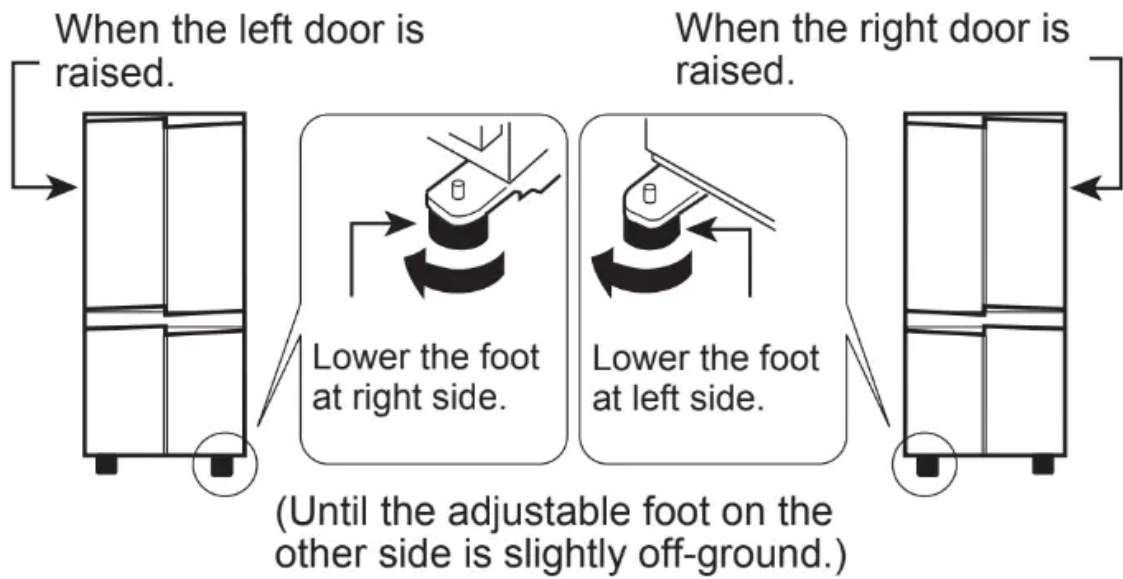
Overall space required in use



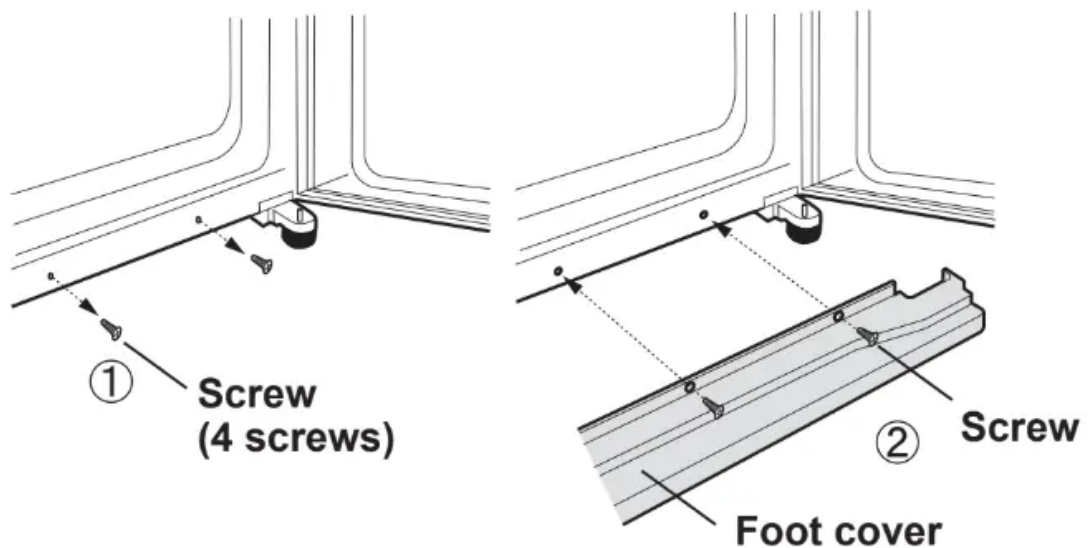
2. Use the two front adjustable feet to place the refrigerator flatly and firmly on the floor.



3. When right and left doors are not properly aligned, adjust using the adjustable feet.

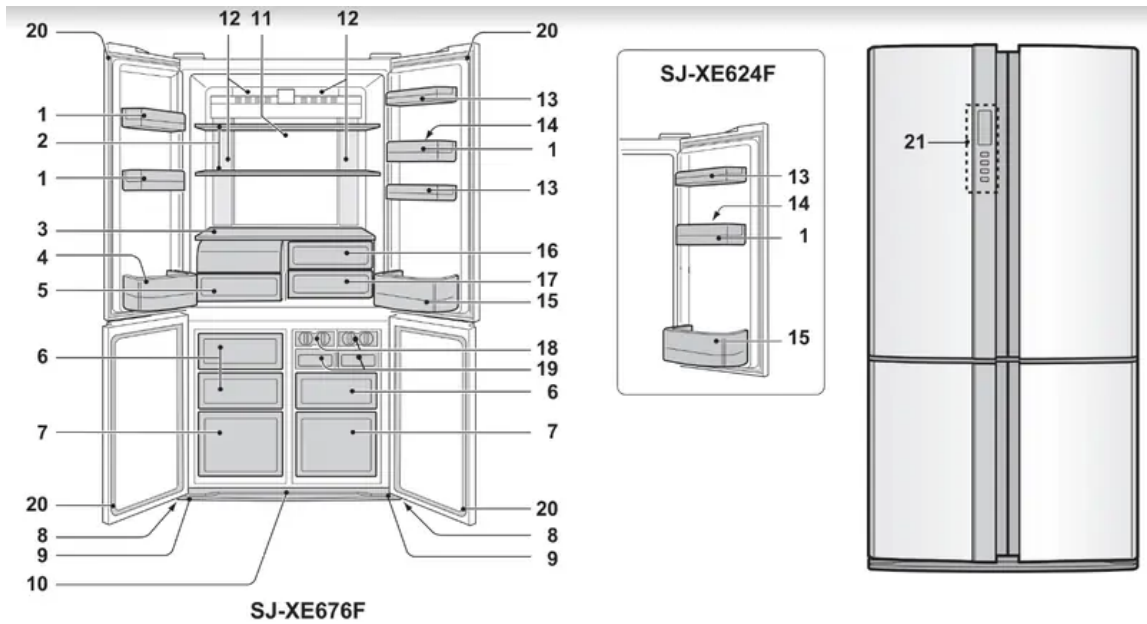


4. Remove the 4 screws of the lower part of the cabinet and use these screws to set the foot cover. (The foot cover is packed inside the refrigerator compartment.)



5. Connect the power plug to a 230/240 volt. 10 amp. power point.

Description



1. Door pocket (3 pcs)
2. Refrigerator shelf (2 pcs)
3. Shelf
4. Bottle pocket (left)
5. Fruit and vegetable crisper

The cover of the fruit and vegetable crisper opens as the case is pulled.



6. Freezer case (small) (3 pcs)
7. Freezer case (large) (2 pcs)
8. Caster (4 pcs)

The casters allow the refrigerator to move back and forth.



9. Adjustable foot (2 pcs)

10. Foot cover

11. Hybrid cooling panel

The panel cools the refrigerator compartment indirectly from the rear. In this way, food is cooled gently without being exposed to cold air flow.

12. Light

13. Utility pocket

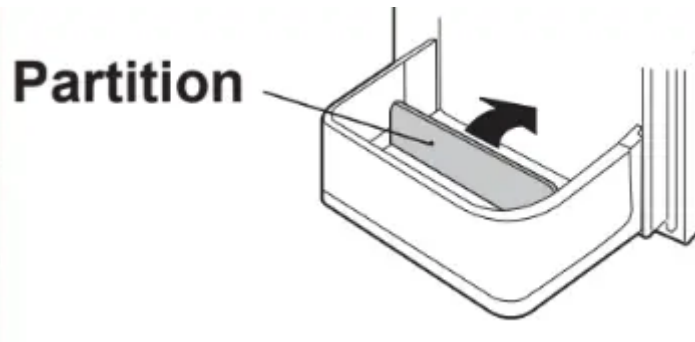
SJ-XE676F : 2 pcs

SJ-XE624F : 1 pc

14. Egg holder

15. Bottle pocket (right)

To store large-size bottles, move the partition all the way back.



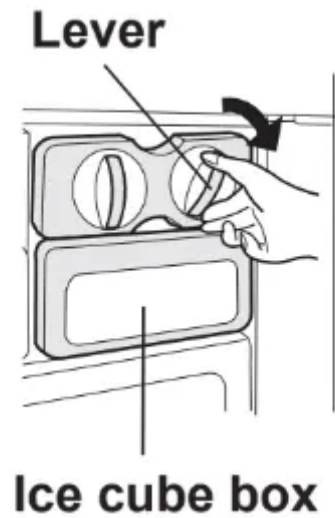
16. Fresh case (upper)

17. Fresh case (lower)

18. Ice cube maker (2 pcs)

1. Do not overfill this tray with water. Otherwise the ice cubes will join together when frozen.

2. When ice cubes are made, turn the lever clockwise to put the ice into the ice cube box.



19. Ice cube box (2 pcs)

Note

To prevent the ice cube box from being damaged, do not pour oil into the box or make ice in it.

20. Magnetic door seal (4 pcs)

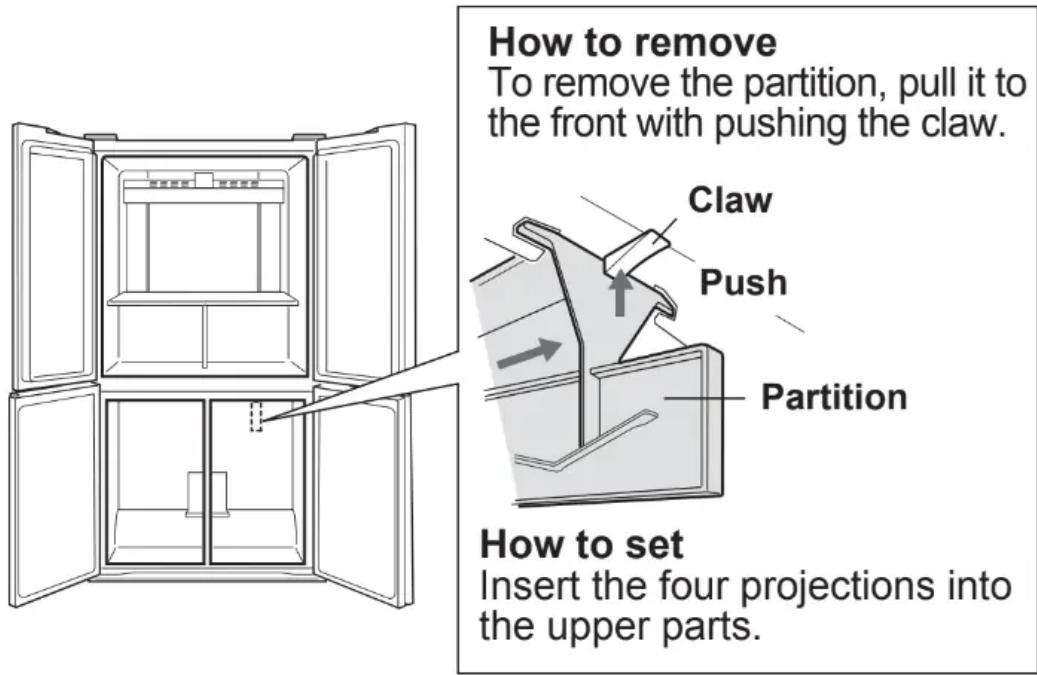
21. Control panel

Deodorising unit

Deodorising catalyst is installed on the routes of cold air.

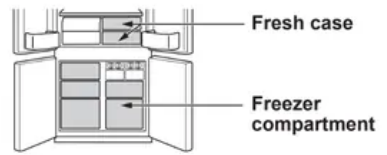
There is no need to operate and clean.


If you wish to store large items within your freezer



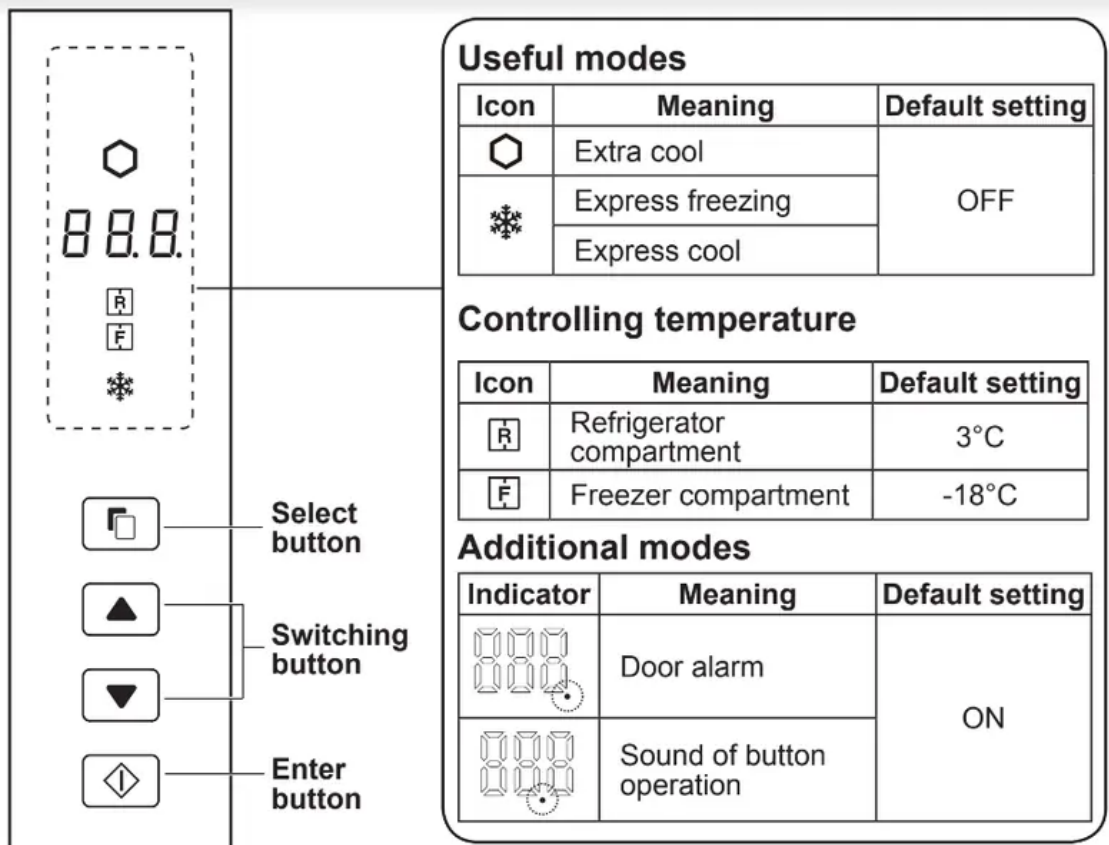
Useful modes

- ⬡ **Extra cool**
- ❄️ **Express freezing**
- ❄️ **Express cool**



	Extra cool	Express freezing	Express cool
Feature	<p>This mode is to cool beverages or foods to ice-cold.</p> <p>Note : Food with high-moisture may freeze.</p>	<p>This mode speeds up the time to freeze food.</p>	<p>This mode is to cool beverages or foods quickly.</p>
Point of use	Fresh case	Freezer compartment	<p>Freezer compartment</p> <p>Caution : Do not place glass bottles. There is a high risk that they may burst.</p>
Operating time	6 hours *1	2 hours *1	30 minutes
	<ul style="list-style-type: none"> • This mode ends automatically. • The alarm does not sound. 		<p>This mode ends automatically.</p> <p>The alarm sounds.</p> <p>To stop the alarm *2</p>  <p>Press enter button.</p>
After the operation completed	<p>There is no need for taking beverages or foods out.</p>		<p>Be sure to take the beverages and foods out when the alarm sounds.</p> <p>If the beverages and foods are left in the freezer compartment over approximately 30 minutes, they may freeze.</p>
At the time of power failure during the operation	<p>This mode is automatically cancelled.</p>		<p>This mode is automatically restarted from the previous state at the time of re-power.</p>

Control panel



Note

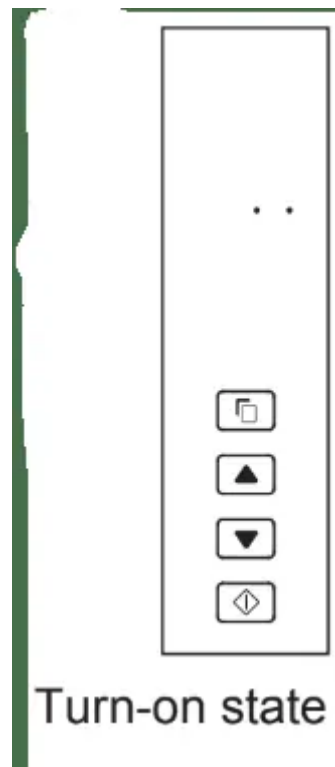
When you press one of the buttons, all icons flash once and show the standby display. If the refrigerator stops because of power failure, the modes except for Extra Cool and Express Freezing function the same way as before at the time of re-power.

Operation is invalid while the refrigerator door is open.

Mode icons or indicators in operation light up on the standby display.

When Express cool is in operation, the icon flashes on the standby display.

When there is no operation for approximately 1 minute, the display returns to the standby display automatically. The standby display turns off if there is no operation for another 1 minute.



Turn-on state

Operations of useful modes

		Display		
1	Select the mode icon.		(e.g. Extra cool) Flashing	
	2	Select on/off.		(off)
		3	Complete the setting. (Beep)	Mode icon turns on. "Express cool" only (Flashing)
	"Express cool" only Complete the setting by pressing for 3 seconds or more. (Beep, Beep, Beep)		Mode icon turns off on the standby display.	

When button is pressed, the icons change in the order shown as below.

Standby display

F ← R

: Useful modes

Operation of additional modes

	Summary	Cancel operation	Display
Door alarm	<ul style="list-style-type: none"> When the refrigerator or freezer door is left open for over 1 minute, door alarm sounds once, and again after 1 minute. If the door is left open for approx. 3 minutes, the alarm sounds continuously. The alarm stops after the door is closed. 	Press and simultaneously for 3 seconds or more. (Beep, Beep, Beep)	The indicator turns off.
Sound of button operation	<ul style="list-style-type: none"> When you want to switch off button operation sound. 	Press and simultaneously for 3 seconds or more. (Beep, Beep, Beep)	The indicator turns off.

Controlling temperature

The refrigerator controls its temperature automatically. However, you can adjust the temperature as below.

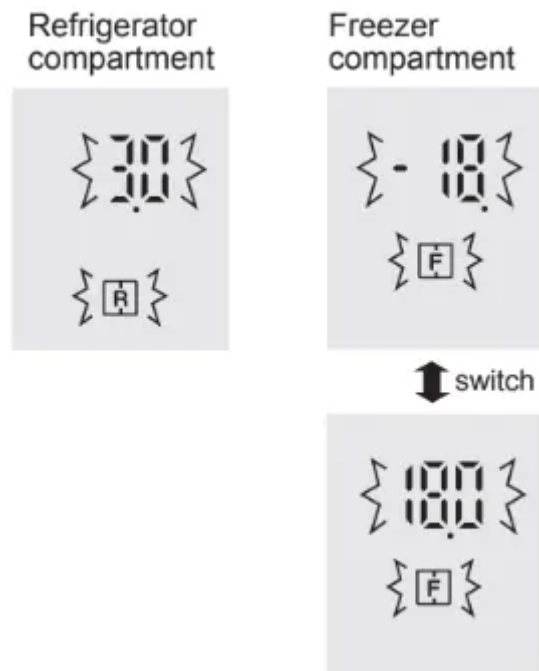


The current preset temperature returns to the “Default setting” (The display is indicated as the picture on the right.)

b. Press  or  and set the temperature.

c. Complete the setting. (Same as step 3 of “Basic operations”.)

Follow the steps a to c again if you want to adjust the temperature in steps of 1°C.

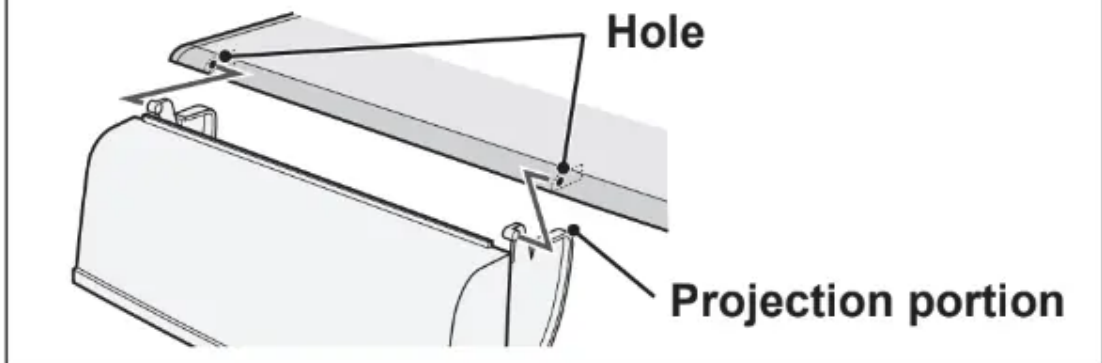


Care and cleaning

Cleaning

- Remove the accessories (e.g. shelves) from the cabinet and the door. Wash them with warm soapy dishwashing water. After that, rinse them in clean water and dry. (Only fruit and vegetable shelf is not removable.)

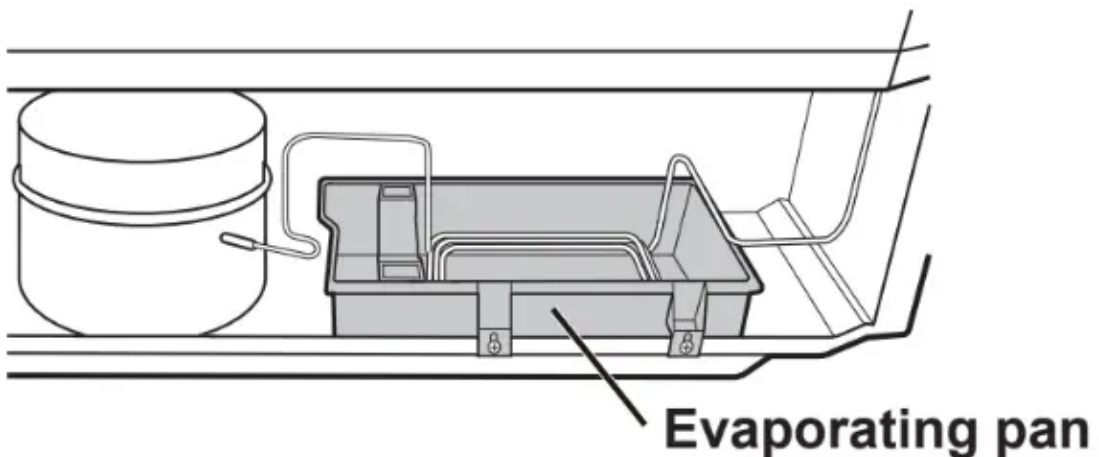
How to remove the fruit and vegetable crisper cover



- Clean the inside with a cloth soaked in warm soapy dishwashing water. Then, use cold water to wipe off soapy water thoroughly.
- Wipe the exterior with a soft cloth each time it gets dirty.
- Clean the Magnetic door seal with a toothbrush and warm soapy dishwashing water.
- Wipe the control panel with a dry cloth.

Before transporting

Wipe up water in the evaporating pan. Before wiping up the water, wait more than 1 hour after pulling out the power plug because the refrigeration cycle equipment is extremely hot. (The evaporating pan is located on the rear of the product.)



Switching off your refrigerator

If the refrigerator needs to be switched off for an extended period, the following steps should be taken to reduce the growth of mould:

1. Remove all food.
2. Remove the power plug from the power point.

3. Clean and dry the interior thoroughly.
4. Ensure that all the doors are wedged open slightly for air circulation.

Defrosting

Defrosting is automatically operated by a unique energy saving system.

When the compartment light is blown

Contact the service agent approved by SHARP to replace the light. The light is not to be replaced other than by a qualified service personnel.

Before you call for service

Before calling for service, check the following points.

Problem	Solution
The outside of the cabinet is hot when touching.	It is normal. The hot pipe is in the cabinet in order to prevent dew generation.
When there is refrigerator noise.	<p>It is normal for the refrigerator to make the following sounds.</p> <ul style="list-style-type: none"> • Loud noise is made by the compressor when its operation starts <ul style="list-style-type: none"> ◦ Sound becomes quieter after a while. • The compressor makes loud noise once a day. <ul style="list-style-type: none"> ◦ Operating sound is made immediately after automatic defrost operation. • Sound of flowing fluid (gurgling sound, fizzing sound) <ul style="list-style-type: none"> ◦ Sound of refrigerant flowing in pipes (sound may become louder from time to time). • Cracking or crunching sound, squeaking sound <ul style="list-style-type: none"> ◦ Sound produced by expansion and contraction of inner walls and internal parts during cooling.
Frost or dew appears inside or outside the refrigerator.	<p>This may occur in one of the following cases. Use a wet cloth for wiping frost and a dry cloth for wiping dew.</p> <ul style="list-style-type: none"> • When the ambient humidity is high. • When the door is frequently opened and closed. • When foods containing plenty of moisture are stored. (Wrapping is required.)



<p>The foods in the refrigerator compartment freeze.</p>	<ul style="list-style-type: none"> • Is the refrigerator operated for a long time with refrigerator temperature control set at 0°C? <ul style="list-style-type: none"> ◦ Change the temperature control back to around 3°C. • Is the refrigerator operated for a long time with freezer temperature control set at -21°C? <ul style="list-style-type: none"> ◦ Change the temperature control back to around -18°C. • If ambient temperature is low, foods may freeze even if the refrigerator compartment is set at 6°C.
<p>Odours in the compartment.</p>	<ul style="list-style-type: none"> • Wrapping is required for the foods with strong odours. • Deodorising unit cannot remove all odours.
<p>If door alarm does not stop.</p>	<ul style="list-style-type: none"> • The alarm stops after the door is closed.

Specification

		SJ-XE624F	SJ-XE676F
Rated voltage (V~)		220 - 240	220 - 240
Rated frequency (Hz)		50	50
Rated current (A)		1.7 - 1.8	1.7 - 1.8
Rated input of heating systems (W)		173 - 206	173 - 206
Defrosting input (W)		173 - 206	173 - 206
Climate class		T	T
Refrigerant		R600a	R600a
Charge (g)		70	70
Insulation blowing gas		Cyclo pentane	Cyclo pentane
Rated storage volume (L)		552	600
Rated gross volume (L)		624	676
Group (AS / NZS 4474.1)		5B	5B
Net weight (kg)		100	103
Overall dimensions (mm)	Height	1720	1830
	Width	892	892
	Depth	771	771
Dimensions with handles, protrusions (mm)	Height	1720	1830
	Width	897	897
	Depth	778	778

Warning

This content is compiled from multiple sources and is provided for reference purposes only. It may not be complete or fully applicable to all situations. If you are unable to resolve your issue, please contact the product manufacturer or an authorized service provider for official support.