

## Getting started

Features and appearance will vary throughout this manual



### 1 Load Dishwasher

For best dishwashing results, follow the loading guidelines found in the Loading section. No pre-rinsing of normal food soil is required. Scrape off hard soils, including bones, toothpicks, skins, and seeds. Remove leafy vegetables, meat trimmings, and excessive amounts of grease or oil.

### 2 Add Detergent

Add needed amount of detergent to the detergent dispenser. Use high quality detergents such as Cascade® Platinum™ ActionPacs™ or Finish® Quantum® Automatic Dishwashing Detergent. See **Dispensers** section.

### 3 Add Rinse Agent

Add rinse agent such as **Finish® Jet-Dry® Rinse Aid** to the rinse agent dispenser. See **Dispensers** section. **NOTE:** The use of rinse aid can further enhance the dishwasher's drying performance.

### 4 Select Cycle

Press the Cycle/Select Cycle pad for the desired wash cycle. The light next to the Cycle/Select Cycle pad will be lit to indicate which wash cycle has been selected.

**NOTE:** Cycle times vary based on soil level, water temperature, and options selected.

The cycle may be selected with the door in the open position. The cycle will not start until the Start pad is pressed and the door is closed within 4 seconds.

#### AutoSense

- This cycle automatically senses the soil level and adjusts the wash cycle accordingly.  
\*Time range: 1 hour 50 minutes - 2 hours 5 minutes.

## Heavy

- This cycle is meant for heavily soiled dishes, cookware, pots, or pans with dried-on or baked-on soils. Everyday dishes are safe to be used in this cycle. This cycle uses improved dry, which can extend the cycle time. \*Time: 2 hours 30 minutes.

## Normal

- This cycle is meant for daily, regular, or typical use to completely wash a full load of normally soiled dishes and is designed to conserve both water and energy. Normal was used to rate the energy efficiency of this dishwasher. \*Time: 1 hour 20 minutes.

## Light

- This cycle is for light to medium soiled dishes. It is safe for china and crystal. \*Time: 50 minutes.

## Rinse (on some models)

- For rinsing partial loads that will be washed later. Do not use detergent. Detergent is not dispensed during the rinse cycle. \*Time: 15 minutes.

\*Washing time only. Does not include drying time, Auto Hot Start, or options. NOTE: If the incoming water temperature is too low, the Auto Hot Start feature may add up to 11 minutes of additional time.

## Express (on some models)

- This cycle will quickly wash lightly soiled dishes. \*Time: 32 minutes. For faster drying, select Power Dry. The final rinse temperature will be increased. Power Dry will add 15 minutes to the cycle time. When the Clean light comes on, open the door, pull the racks out, and the dishes will “flash” dry in approximately five minutes

## eWash (on some models)

- This cycle will efficiently wash dishes using about 2 gallons of water and .8 KWhr. Selecting Power Dry with this cycle adds an energy efficient 1 1/2 hour dry period. Drying is accomplished with an efficient 2 watt fan. \*Time: 1 hour 3 minutes. \*Washing time only. Does not include drying time, Auto Hot Start, or options. NOTE: If the incoming water temperature is too low, the Auto Hot Start feature may add up to 11 minutes of additional time.

## 5

### Select Options

The light by the selected pad will be lit to indicate which Option has been selected.

## Normal Temp (on some models)

- This option is for normally soiled dishes, optimizes wash performance while conserving energy

### **Wash Temp Boost or Boost Temp**

- This option increases the temperature to help clean heavily soiled dishes and will increase the cycle time by 20 to 50 minutes. Option may be turned On or Off during the wash cycle. This option will also improve dry performance on the Normal cycle.

### **Wash Temp Sani or Sanitize Temp**

- This option raises the water temperature in the final rinse to sanitize your dishware but may increase cycle time by 60 minutes. The cycle length will vary depending on the temperature of your inlet water.
- **NOTE:** This option is monitored for sanitization requirements. If the cycle is interrupted during or after the main wash portion or if the incoming water temperature is so low that adequate water heating cannot be achieved, the sanitizing conditions may not be met. In these cases, the Sanitized light will not illuminate at the end of the cycle. Utilizing this option will modify the cycle to meet the requirements of Section 6, NSF 184 for soil removal and sanitization efficacy.  
**NOTE:** NSF certified residential dishwashers are not intended for licensed food establishments.
- **NOTE:** Certified residential dishwashers are not intended for licensed food establishments.

### **Heated Dry Off (on some models)**

- Shuts off the drying option. Dishes air dry naturally and energy is saved. Opening the door at the end of the cycle can improve drying performance. **NOTE:** The use of rinse aid can further enhance the dishwasher's drying performance.

### **Heated or Power Dry On**

- This option can be selected by pressing the Dry button once to illuminate the Heated light. This setting will greatly improve your dry performance for daily, regular or typical dishes. The heated dry option will typically add 48 minutes to your cycle time. This option is not available with the Rinse cycle. **NOTE:** The use of rinse aid can further enhance the dishwasher's drying performance. Heated Dry was selected to rate the energy efficiency of this dishwasher.

### **Steam (Prewash) (on some models)**

- For use with heavily soiled and/or dried-on, baked-on soils. This option **MUST** be selected **PRIOR** to starting the cycle. The Steam option adds up to 30 minutes to the cycle time. This option is available with Heavy, AutoSense, and Normal cycles.

### **Pre Soak** (on some models)

- Use this option to improve wash performance with heavy or dried-on soils. This option is available on Heavy, AutoSense, and Normal cycles and may add up to 30 minutes to the cycle time.

### **Wash Zones** (on some models)

- Selecting either the Upper or Lower Wash Zones will target dishwashing of just one rack. This will shorten the cycle time and conserve energy. This option should be used when dishes are placed in only one rack.

### **Bottle Wash** (on some models)

- This option increases the time that the bottle jets are on and may add up to 23 minutes to the cycle time. Use this to wash difficult to clean, dishwasher safe baby bottles, sport bottles, tall coffee cups, etc. See use recommendations in the Loading section.

### **Delay Hours**

- Delays the start of a wash cycle up to 8 to 12 hours depending on model. Press Delay Hours, to select the number of hours, then press Start one time and close door to begin countdown. The cycle will start once allotted time has expired.

### **Control Lock**

- You can lock the controls after you have started a cycle to prevent cycle changes. You can also lock the controls to prevent selections from being made. For example, children cannot accidentally start the dishwasher by pressing pads with this option selected.
- To LOCK the dishwasher control, depending on the model, press and hold the 1 or 2 buttons indicated on the controls for 3 seconds. On some models, it will be the Heated Dry, another the Steam and Wash Temp buttons, and another model is the Pre-Soak and Bottle Wash buttons. The Control Lock light will turn on to indicate the control is locked.
- To UNLOCK the dishwasher control, depending on the model, press and hold the 1 or 2 buttons indicated on the controls for 3 seconds. The Control Lock light will turn off to indicate the control is unlocked.

## **6**

### **Start Dishwasher**

#### **Start**

- Door can be open to select the desired options. Press the Start pad and close the door within 4 seconds to start the cycle or begin the Delay Hours countdown. The wash cycle will begin shortly after closing the door. If the door is opened, the illuminated lights will turn off if a pad is not pressed within 30 seconds. To activate the display, press any pad.

## Interrupt or Pause

- To interrupt or pause a dish cycle, slowly open the door. Opening the door will cause the wash cycle to pause. The dishwasher will beep every minute to remind you to close the door. To restart or resume the cycle, press Start, and close the door within 4 seconds.

## Cancel

- To cancel a wash cycle, press and hold the Start pad for 3 seconds and close door. The dishwasher will drain, emit a beep sound, and the wash cycle light will turn OFF.

# 7

## Cycle Indicator Lights and Sounds

### Sanitized or Cycle Sanitized

- Displayed at end of the cycle when Wash Temp Sani (Sanitize) has been selected and dishwasher has met requirements for sanitization. See Wash Temp Sani (Sanitize), for complete description. Opening the door or pressing any key while the door is closed will turn off the light.

### Clean or Cycle Complete

- Displayed when a wash cycle is complete. The light stays ON as a reminder that the dishes are clean. Opening the door or pressing any key while the door is closed will turn the light off.

### Low Rinse Aid (on some models)

- Displayed when rinse agent is low or empty. See page 8 for Use a Rinse Agent. To turn indicator off, press the Pre-Soak or Steam button 7 times within 5 seconds. Repeat this process to turn the Low Rinse Aid indicator back on

### Cycle Status (on some models)

- The indicator light on the door front will change color to indicate the wash status. During the wash cycle, the indicator light will be amber. When the wash cycle is complete, the light will change to green.

## Sounds

- The dishwasher will emit a sound to indicate cycle completion, button presses, and door ajar. To mute all sounds, press the Heated Dry or Power Dry button 7 times within 5 seconds. Repeat this process to turn sounds back on.

### Sabbath/ Door Wake Up Mode (on some models)

- To turn this option ON/OFF, press and hold the Start and Wash Temp pads for 5 seconds, close the door and wait 3 minutes for the dishwasher to go into sleep mode. In the OFF mode, the control display, control sounds, and interior lights (on some models) will not respond to the door opening/closing. This mode can be used when observing

certain religious holidays such as the Sabbath. To activate the control and interior lights (on some models), press any button.

## Using the dishwasher.

### Check the Water Temperature

The entering water should be at least 120°F (49°C) and not more than 150°F (66°C) for effective cleaning and to prevent dish damage. Check the water temperature with a candy or meat thermometer.

Turn on the hot water faucet nearest the dishwasher, place the thermometer in a glass and let the water run continuously into the glass until the temperature stops rising.

### Use a Rinse Agent

Rinse agents, such as **Finish® Jet-Dry® Rinse Aid** are designed for great drying action and to protect against spots and film build-up on your dishes, glasses, flatware, cookware, and plastic.

### Filling the Rinse Agent Dispenser

The rinse agent dispenser holds 3.5 oz. (104 ml) of rinse agent. Under normal conditions, this will last approximately one month.

1. Make sure the dishwasher door is fully open.
2. Open the rinse agent dispenser door.
3. Slowly add rinse agent until the cup is full. You may need to pause several times to allow rinse aid to settle. **NOTE:** Indicator window does not light up.
4. Clean up any spilled rinse agent with a damp cloth to prevent foam from forming inside the dishwasher.
5. Close the rinse agent dispenser door.



### Rinse Aid Setting

The amount of rinse agent released into the final wash can be adjusted. If water drops or hard water spots remain on dishes after the dry cycle, increase the setting.



### To adjust the setting

Open the Rinse Agent dispenser door; then turn the adjuster clockwise to increase the amount of rinse agent, counterclockwise to reduce the amount of rinse agent.



### Leak Protection (on some models)



If a leak is detected, the dishwasher will drain and the cycle will stop. The display will show "LEAK DETECTED". Call for service.

### Detergent Dispenser

The detergent dispenser is located in the center of the dishwasher door. It has two compartments. The main wash compartment is found inside the detergent dispenser. To open, press the button on the side of the dispenser. The pre-wash compartment is on the lid of the detergent dispenser. Use the pre-wash compartment only when your water is extremely hard or when you have a heavy soiled load. The pre-wash compartment is not used when tablet or packet detergents are used.

**NOTE:** Do not block detergent dispenser with large or tall dishware.



You may use tablet, packet, powder, liquid or gel automatic dishwasher detergent. Make sure you use only detergents specifically labeled for use in automatic dishwashers. Never use liquid hand dish detergent in an automatic dishwasher. Sudsing and poor wash performance will result with the use of improper detergents.

Detergents should be stored in a dry location and in their original container to prevent loss of effectiveness. Place detergent in the cup just prior to starting the dishwasher and then close the cover. The cover will open during the wash cycle.

### **Filling the Detergent Dispenser**

GE Appliances recommends using high quality detergent in tablet or packet form. Independent testing has shown this form of detergent is very effective in the dishwasher. Cascade® Platinum™ ActionPacs™ or Finish® Quantum® Powerball® are examples of this type of detergent. However, some single dose detergents are not designed for shorter cycles. If you experience wash-out issues with these tablets or packets, follow the instructions below: GE Appliances recommends using detergent in tablet or packet form. Independent testing has shown this form of detergent is very effective in the dishwasher. Finish® Quantum® Powerball® is an example of this type of detergent. Simply put a tablet or packet into the main wash compartment and close the detergent cup cover. Please notice that the tablet or packet must be placed in the main wash compartment of the detergent cup. If the tablet or packet is placed in the prewash compartment or tossed in the bottom of the dishwasher, the detergent will be flushed down the drain in a very short period of time and will thus be wasted. Wash performance will be very poor as a result.

If you choose to use detergent in powder, liquid or gel form, the amount of detergent you use will be determined by the hardness of your water, the temperature of your water, and the food soil load inside the dishwasher. Contact your water company to get information about the hardness of the water in your area. Water hardness is measured in grains per gallon. Use this information and the table above to determine the amount of detergent to use. You may purchase a hard water test strip from GE Appliances. Call 877-959-8688 and ask for part number WD01X10295. In Canada, call 800-661-1616.

Number of Grains/Gal.	Detergent Cup(s) to Fill
Less than 4	Fill cup to 1/3 full
4 to 8	Fill cup to 2/3 full
8 to 12	Fill cup completely full
Greater than 12	Fill both main wash cup and pre wash cup



Using too much detergent with very soft and/or very hot water may cause a condition called etching on your glassware. Etching is a permanent cloudiness in your glassware. This condition is irreversible. However, using too little detergent will cause poor wash performance.

Use the table as a starting point and then adjust the amount of detergent you use. Use just enough to get good wash performance. Using just the right amount of detergent will provide great wash performance without wasting detergent or etching glassware.

**DO NOT USE HAND DISH DETERGENT**



**NOTE:** Using a detergent that is not specifically designed for dishwashers will cause the dishwasher to fill with suds. During operation, these suds will spill out of the dishwasher vents, covering the kitchen floor and making the floor wet.

Because so many detergent containers look alike, store the dishwasher detergent in a separate space from all other cleaners. Show anyone who may use the dishwasher the correct detergent and where it is stored.

While there will be no lasting damage to the dishwasher, your dishes will not get clean using a dishwashing detergent that is not formulated for automatic dishwashers.

## **About Appliance Communication**

### **WiFi Connect (on some models) (for customers in the United States)**

Your dishwasher is **GE Appliances WiFi Connect** capable. A WiFi communication card is built into the product allowing it to communicate with your smartphone for remote monitoring, control and notifications.

This device complies with Part 15 of the FCC Rules. Operation is subject to the following two conditions:

1. This device may not cause harmful interference, and
2. This device must accept any interference received, including interference that may cause undesired operation.

This equipment has been tested and found to comply with the limits for a Class B digital device, pursuant to Part 15 of the FCC Rules. These limits are designed to provide reasonable protection against harmful interference in a residential installation. This equipment generates uses and can radiate radio frequency energy and, if not installed and used in accordance with the instructions, may cause harmful interference to radio communications. However, there is no guarantee that interference will not occur in a particular installation. If this equipment does cause harmful interference to radio or television reception, which can be determined by turning the equipment off and on, the user is encouraged to try to correct the interference by one or more of the following measures:

- Reorient or relocate the receiving antenna.
- Increase the separation between the equipment and receiver.
- Connect the equipment into an outlet on a circuit different from that to which the receiver is connected.
- Consult the dealer or an experienced radio/television technician for help.

**Labelling:** Changes or modifications to this unit not expressly approved by the manufacturer could void the user's authority to operate the equipment.

## Loading the dishwasher.

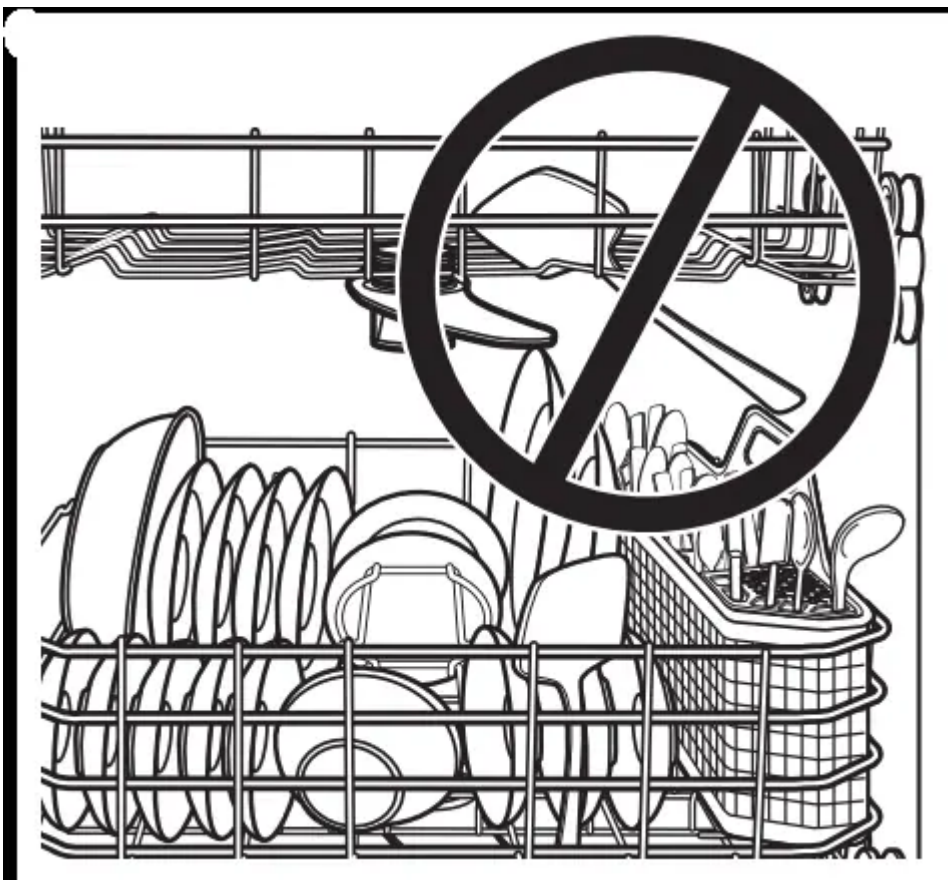
For best dishwashing results, follow these loading guidelines. Features and appearance of racks and silverware baskets may vary from your model.

### Upper Rack

The upper rack is primarily for glasses, cups, and saucers. For best wash performance, tilt cup and glass openings toward the center of the rack. Other items such as pots, pans, and plates may be placed in the upper rack. This is also a secure place for dishwasher-safe plastic items. The upper rack can be used for odd sized utensils. Sauce pans, mixing bowls, and other similarly shaped items should be placed face down for best wash performance. Ensure small plastic items are secure so that they cannot fall on the heater at the bottom of the dishwasher, potentially damaging the item. Some models are equipped with a hidden heater, so dishwasher safe plastic items can be placed in the lower rack.

**IMPORTANT:** Ensure items in the upper rack do not interfere with the 3rd Rack (on some models) when loading and unloading

**IMPORTANT:** Ensure that items do not protrude through the bottom of the rack or silverware basket where they will block the rotation of the middle spray arm. This could result in noise during operation and/ or poor wash performance





### Bottle Jets

The Bottle Wash system (on some models) is the ideal location to position baby bottles and tall sports bottles. The Bottle Wash clips hold bottles with small openings in place so water jets are directed inside the bottles to clean hard to reach areas. Clips can be installed or removed by simply slipping the clip opening over the top of the nozzle.

Sports bottle held in place over a Bottle Wash clip



Baby bottle held in place under a Bottle Wash clip



The upper rack allows 2" of adjustment up or down to accommodate large items. The upper rack may be lowered by pushing the long flaps on each side of the rack. This will allow you to lower the rack (see fig. Upper Rack). To raise the rack, lift up on the rack until the rack locks in place.



To add flexibility in loading, the utility shelf (on some models) may be placed in the up or down position or unfolded and placed in the lower unfolded position. The shelf may also be used to secure stemware such as wine glasses. Because these stemware items come in various sizes, slowly push the rack in to ensure the items do not bump into the edges of the dishwasher, which may cause damage to the items.





Place the slots in the utility shelf clips over the vertical rack wires and push down to attach utility shelf onto second wire of rack



The fold down tines (on some models) provide flexibility for extra-large and hard-to-fit items. The tine rows can be adjusted to a vertical or lay-down position.



For best dishwashing results, follow these loading guidelines. Features and appearance of racks and silverware baskets may vary from your model.

### **8 Place Settings - Upper Rack**

**Models - GDT580, GDT680, PDT720, GDT740, PDT750 & CDT725**



### **10 Place Settings - Upper Rack**

**Models - GDT580, GDT680, PDT720, GDT740, PDT750 & CDT725**



**12 Place Settings - Upper Rack**

**Models - GDT580, GDT680, PDT720, GDT740, PDT750 & CDT725**





For best dishwashing results, follow these loading guidelines. Features and appearance of racks and silverware baskets may vary from your model.

### **Lower Rack**

The lower rack is best used for plates, saucers and cookware items. Large items, such as broiler pans and baking racks should be placed along the sides of the rack. If necessary, oversized glasses and mugs can be placed in the lower rack to maximize loading flexibility. Plates, saucers and similar items should be placed between the tines in the direction that allows the item to remain secure in the rack.

The lower rack fold down tines (on some models) can be adjusted to different upright angles or placed flat to provide flexibility for hard-to-fit or extra-large items.

**NOTE: Do not load large items in the lower rack where they may block the wash jets from rinsing out the detergent dispenser.**



The reversible tine blocks (on some models) are designed to allow greater flexibility in loading dishes. The direction of the tine blocks can be changed to match your preferred loading direction as shown in Figure A or Figure B:



Figure A

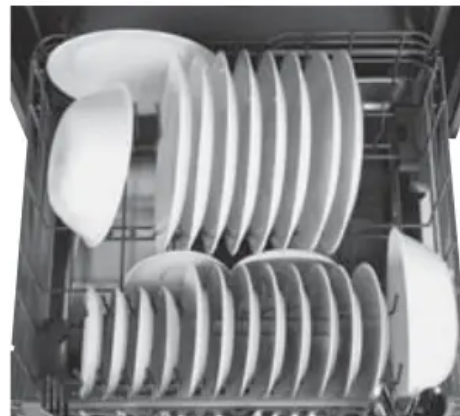
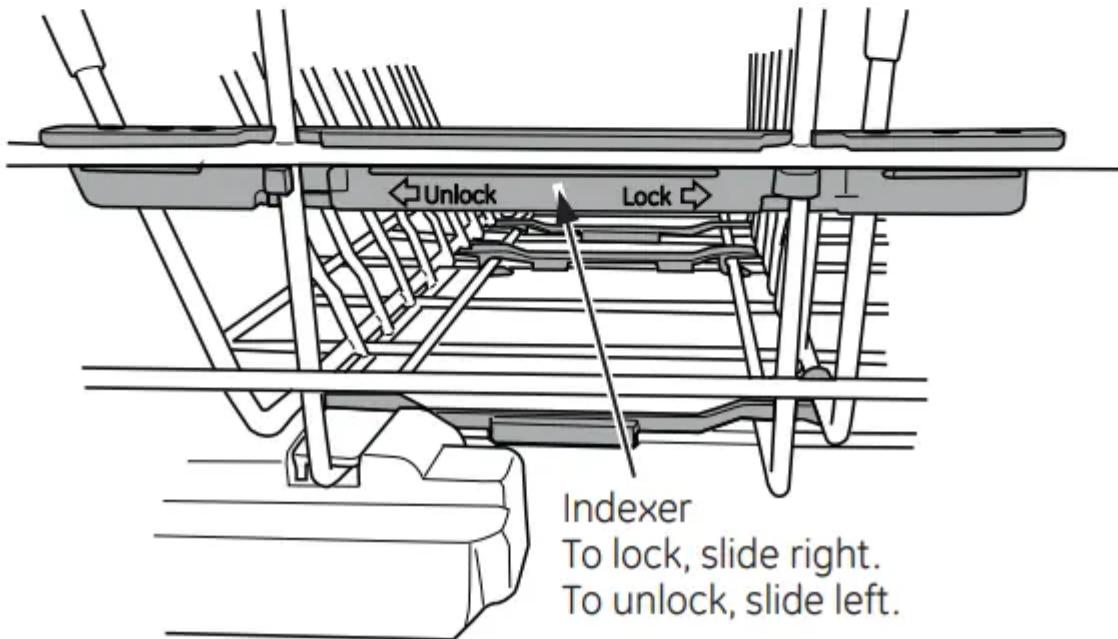


Figure B

To adjust the tine block direction, remove the clips securing the tine blocks to the racks by pulling up on the tab, then gently flex the retaining wire from the center to unseat the tine block from the lower rack. The tine block may be turned in the opposite direction to reverse loading direction. Secure the tine block to the rack using the same process and be sure to snap the clips back in place.



To change the direction of the fold down tines, lower the tines, then pull away from the bar clips that secure the tines to the rack and remove. Reverse the direction of the tines, orienting the handle on the opposite side of the rack. Reattach the tines to the bar clips by pushing the tines back until they click in place. The indexer will also need to be switched to the opposite side of the dishwasher. To remove the indexer, simply slide it in the direction labeled “unlock.” Then, align the indexer with the rack on the other side and slide in the direction that says “lock” in order to reattach the indexer to the rack.



**IMPORTANT:** It is important to ensure that items do not protrude through the bottom of the rack or the silverware basket where they will block the rotation of the lower spray arm. Also, ensure that large plates, pots, or tall items don't hit the mid spray arm. This could result in noise during operation and/or poor wash performance.

### 8 Place Settings - Lower Rack

**Models - GDT580, GDT680, PDT720, GDT740, PDT750 & CDT725**





**10 Place Settings - Lower Rack**

**Models - GDT580, GDT680, PDT720, GDT740, PDT750 & CDT725**



**12 Place Settings - Lower Rack**

**Models - GDT580, GDT680, PDT720, GDT740, PDT750 & CDT725**



For best dishwashing results, follow these loading guidelines. Features and appearance of racks and silverware baskets may vary from your model.

### **3rd Rack(on some models)**

The 3rd rack is the recommended location for silverware and may have 1 or 2 trays (depending on model). The tray(s) may be removed by fully extending the 3rd rack, grasping both the front and back handles and gently lifting out of the rack. For racks with 2 trays, ensure the deepest part of the trays are toward the center of the rack.



**IMPORTANT NOTES:**

- Do not allow cutlery of different materials to touch each other in the 3rd rack. Doing so may cause discoloration of the cutlery.
- The tray is only meant to be used with a GE Appliances 3rd rack dishwasher to hold large utensils, cooking utensils, and other small items. Using the tray for any other purpose could result in damage to the tray or damage to anything interacting with the tray.
- Ensure that the 3rd rack is fully closed before shutting the dishwasher door. Shutting the door with the rack partially extended could cause damage to the dishwasher.

**2-Tray 3rd Rack**



**1-Tray 3rd Rack**

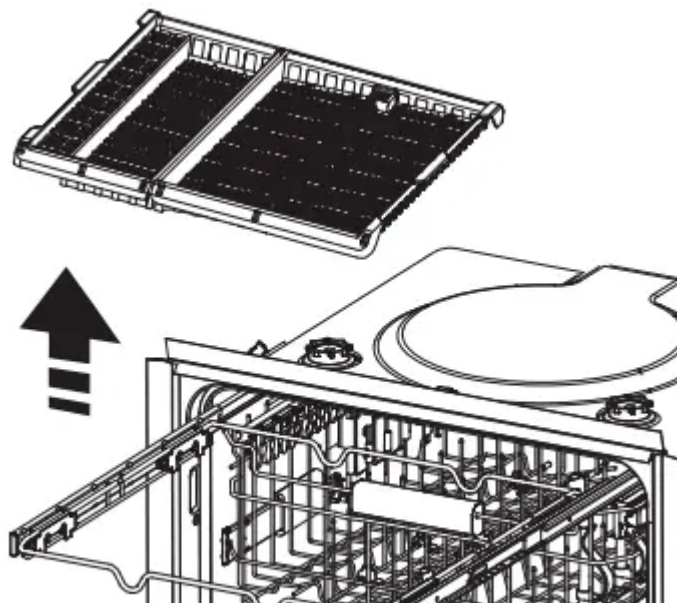




The 3rd rack is also removable to allow extra large items to be placed in the upper rack:

**To remove the 2-tray 3rd rack:**

1. Remove silverware tray - see previous page.



2. Push the rack all the way to one side so that a gap between it and the side rail forms on the other side. Align the side rail posts with the center of the clips on the rack and lift

straight up.



3. Continuing to hold the rack in the lifted position, repeat on the other side.

4. Once the rack is removed, push the side rails all the way back into the dishwasher.

For best dishwashing results, follow these loading guidelines. Features and appearance of racks and silverware baskets may vary from your model.

**To remove the 1-tray 3rd rack:**





1. With the rack fully extended, lift the front of the rack so that the rack roller wheels clear the retaining hook.
2. Continue to pull the rack until the remaining rack roller wheels clear the retaining hook.
3. Replace the rack by aligning the rack roller wheels on the retaining hook and rack rails – Ensure all roller wheels are located on top of the rack rails.

### Silverware Basket



Place flatware in the removable silverware basket. Sharp objects, such as forks and knives, may be placed with the handles facing up, in order to protect your hands. For the best wash performance, place other items such as spoons with the handles facing down. Avoid allowing items to nest together, which may keep them from being properly washed. When loading, distribute items evenly in the basket.



Place flatware in the removable silverware basket. Sharp objects, such as forks and knives, may be placed with the handles facing up, in order to protect your hands. For the best wash performance, place other items such as spoons with the handles facing down. Avoid allowing items to nest together, which may keep them from being properly washed. When loading, distribute items evenly in the basket.

**IMPORTANT:** Do not load large or tall utensils where they may block the detergent dispenser, mid spray arm, or become trapped between the door and the gasket when the door is closed.



Silverware/flatware is loaded using the silverware basket lids. This ensures great wash performance of the silverware. Loading in this manner prevents nesting and makes sure all items are washed uniformly

**Silverware Basket - 8 Place Settings**

**Models - GDT580, GDT680, PDT720, GDT740, PDT750 & CDT725**



**Silverware Basket - 10 Place Settings**

**Models - GDT580, GDT680, PDT720, GDT740, PDT750 & CDT725**



### Silverware Basket - 12 Place Settings

Models - GDT580, GDT680, PDT720, GDT740, PDT750 & CDT725



**NOTE:** Refer to the 3rd Rack in this Loading The Dishwasher section.

## Care and cleaning

### Cleaning the Exterior Door Panel

Before cleaning the front panel, make sure you know what type of panel you have. Refer to the last two letters of your model number. You can locate your model number on the left-hand tub wall just inside the door. If your model number ends with BB, CC, WW, SA or ES then you have a painted door panel. If your model number ends with SS, then you have a Stainless Steel door panel. If your model number ends with II, then you have an Integrated door panel. Follow the instructions below for cleaning the door panel for your specific model. Painted Door Panel (model numbers ending in BB–black, CC–bisque, WW–white, SA–silver or ES–slate) Use a clean, soft, lightly dampened cloth, then dry thoroughly.

**Stainless Steel Door Panel** (model numbers ending in SS)

**For cleaning rust and tarnish**, cleaners with oxalic acid such as Bar Keepers Friend Soft Cleanser™ will remove rust, tarnish and small blemishes. Use only a liquid cleanser free of grit

and rub in the direction of the brush lines with a damp soft sponge. Do not use appliance wax or polish on the stainless steel.

**For other blemishes and marks**, use Stainless Steel Magic or a similar product using a clean soft cloth. Do not use appliance wax, polish, bleach or products containing chlorine on Stainless Steel. You can order Stainless Steel Magic # WX10X29 through GE Parts by calling 877.959.8688. In Canada, call 1-800-661-1616.

#### **Integrated Door Panel** (model numbers ending in II)

This is a custom installed door panel, and you will need to refer to the cabinet manufacturers recommendations for proper cleaning

### **Cleaning the Control Panel**

To clean the control panel, use a lightly dampened cloth.

Then dry thoroughly.

### **Cleaning the Dishwasher Interior**

To clean and de-odorize your dishwasher, use citric acid or Lemi Shine®\*, a detergent additive. Lemi Shine will break up mineral deposits, and remove hard water film and stains. You can order citric acid #WD35X151 through GE Parts by calling 877-959-8688 or visiting [GEApplianceparts.com](http://GEApplianceparts.com). In Canada, call 1-800-661-1616. You can purchase Lemi Shine at your local grocery store or by calling GE at the numbers above and ask for WX10X10019

### **Stainless Steel Inner Door and Tub**

The stainless steel used to make the dishwasher tub and inner door provides the highest reliability available in a GE dishwasher. If the dishwasher tub or inner door should be scratched or dented during normal use, they will not rust or corrode. These surface blemishes will not affect their function or durability

### **Cleaning the Filters**

Inspect and clean the filters periodically. This should be done every other month or more depending on usage. If there is a decrease in wash performance or dishes feel gritty, this is also an indication the filters need to be cleaned.



*Appearance may vary*

### **Ultra-Fine Filter Assembly**

To clean the Ultra-Fine Filter, remove the bottom rack. Twist counterclockwise and remove the Ultra-Fine Filter. Rinse filter with warm soapy water and use a sponge to carefully remove any stubborn particles. Scrubbing with scouring pads or brushes can damage the filter. Once cleaned, replace the Ultra-Fine Filter, and twist clockwise to lock in place.

### **Fine Filter**

To clean the Fine Filter (mesh plate), remove the bottom rack. Remove the Ultra-Fine Filter. Twist counterclockwise each of the two retaining posts located toward the back bottom of the tub, and remove the Fine Filter. Rinse filter with warm soapy water. Scouring pads or brushes can scratch the filter surface but a soft brush or sponge may be needed to remove stubborn soils or calcium deposits caused by hard water. Once cleaned, replace the Fine Filter, the Ultra-Fine Filter, and twist clockwise the two retaining posts into place.

## Protect Against Freezing

If your dishwasher is left in an unheated place during the winter, ask a service technician to:

1. Turn off electrical power to the dishwasher. Remove fuses or trip circuit breaker.
2. Turn off the water supply and disconnect the water inlet line from the water valve.
3. Drain water from the water inlet line and water valve. (Use a pan to catch the water.)
4. Reconnect the water inlet line to the water valve.

### Does Your Dishwasher Have an Air Gap?

An air gap protects your dishwasher against water backing up into it if a drain clogs. The air gap is not a part of the dishwasher. It is not covered by your warranty. Not all plumbing codes require air gaps, so you may not have one.



*Check the air gap any time your dishwasher isn't draining well.*

### The air gap is easy to clean.

1. Turn off the dishwasher and lift off the air gap cover.
2. Remove the plastic cap under the cover and clean with a toothpick.
3. Replace the cap and cover when the air gap is clean.

## Before you call for service...

### Troubleshooting Tips... Before you call for service

Problem	Possible Cause	What To Do
Start status indicator light flashing	The door was opened or the cycle was interrupted.	<ul style="list-style-type: none"> <li>• Press the <b>Start</b> button once and close the door within 4 seconds to start the dishwasher.</li> <li>• Press the <b>Start</b> button a second time if the dishwasher is running only if you want to restart the cycle.</li> </ul>
Dishwasher BEEPS once every minute (on some models)	This is a reminder that your dishwasher door has been left open during operation. It will continue beeping until you press Start and close the door.	<ul style="list-style-type: none"> <li>• Press <b>Start</b> and close the door.</li> </ul>
Display shows “LEAK DETECTED”	Possible leak is detected	<ul style="list-style-type: none"> <li>• Some models are equipped with leak detection and the cycle will be cancelled if a leak is detected. The display will show “LEAK DETECTED”. Call for service.</li> </ul>
Beeping at the end of the cycle (on some models)	This is normal. Dishwasher will beep twice at the end of the cycle.	<ul style="list-style-type: none"> <li>• To turn off the double beep indicator, press and hold the <b>Heated Dry</b> pad 5 times within 5 seconds. A triple beep will sound to indicate that the double beep option has been turned on or off.</li> </ul>
Dishes and flatware not clean	Ultra-Fine Filter or Fine Filter is clogged	<ul style="list-style-type: none"> <li>• See the <b>Care and Cleaning</b> section for more information.</li> </ul>
	Low inlet water temperature	<ul style="list-style-type: none"> <li>• Make sure inlet water temperature is at least 120°F (see the <b>USING THE DISHWASHER</b> section). Turn on the hot water faucet near the dishwasher, let run until the water temperature stops rising. Then start the dishwasher and turn off the faucet. This ensures the water is hot. Select <b>Wash Temp Boost</b> if available.</li> </ul>



	<p><b>Water pressure is temporarily low</b></p>	<ul style="list-style-type: none"> <li>• Turn on a faucet. Is water coming out slowly than usual? If so, wait until it is normal before using your dishwasher. Check water pressure to the dishwasher. It should be 20-120 psi.</li> </ul>
	<p><b>Air gap or disposer clogged</b></p>	<ul style="list-style-type: none"> <li>• Clean the air gap or flush the disposer.</li> </ul>
	<p><b>High drain loop or air gap not installed</b></p>	<ul style="list-style-type: none"> <li>• Refer to the Installation Instructions for drain line installation.</li> </ul>
	<p><b>Improper rack loading</b></p>	<ul style="list-style-type: none"> <li>• Make sure large dishware does not block the detergent dispenser or the wash arm. See the <b>Loading</b> section.</li> </ul>
	<p><b>Poor performing detergent</b></p>	<ul style="list-style-type: none"> <li>• Use a highly rated detergent such as <b>Quantum® Automatic Dishwasher Detergent</b>.</li> </ul>
<p><b>Spots and filming on glasses and flatware</b></p>	<p><b>Extremely hard water</b></p>	<ul style="list-style-type: none"> <li>• Use rinse agents such as <b>Finish® Rinse Aid</b> to prevent spots and prevent build-up.</li> <li>• If water is extremely hard, a softener may be required.</li> </ul>
	<p><b>Low inlet water temperature</b></p>	<ul style="list-style-type: none"> <li>• Make sure water temperature is at least 120°F (49°C).</li> </ul>
	<p><b>Overloading or improper loading of the dishwasher</b></p>	<ul style="list-style-type: none"> <li>• Load dishwasher as shown in the <b>Loading</b> section.</li> </ul>



	<p><b>Old or damp powder detergent</b></p>	<ul style="list-style-type: none"> <li>• Make sure detergent is fresh. Use detergent such as <b>Finish® Quantum Automatic Dishwashing Detergent</b>.</li> </ul>
	<p><b>Rinse agent dispenser empty</b></p>	<ul style="list-style-type: none"> <li>• Refill with rinse agent such as <b>Finish® Dry® Rinse Aid</b>.</li> </ul>
	<p><b>Too little or low performing detergent</b></p>	<ul style="list-style-type: none"> <li>• Make sure you use the proper amount of rated detergent.</li> </ul>
<p><b>Cloudiness on glassware</b></p>	<p><b>Combination of soft water and too much detergent</b></p>	<ul style="list-style-type: none"> <li>• This is called etching and is permanent. To prevent this from happening, use a water softener if you have soft water. Wash glassware on the shortest cycle that will get it clean.</li> </ul>
	<p><b>Low performing phosphate-free detergent</b></p>	<ul style="list-style-type: none"> <li>• See <b>A white film on glassware, or the interior</b> in this <b>TROUBLESHOOTING</b> section.</li> </ul>
	<p><b>Water temperature entering the dishwasher exceeds 150°F(66°C)</b></p>	<ul style="list-style-type: none"> <li>• This could be etching. Lower the water temperature.</li> </ul>
<p><b>Suds in the tub</b></p>	<p><b>Wrong detergent</b></p> 	<ul style="list-style-type: none"> <li>• Use only automatic dishwasher detergent to avoid sudsing. <b>Finish® Quantum Automatic Dishwashing Detergent</b> has been specifically formulated for use in all GE Appliances dishwashers.</li> <li>• To remove suds from the tub, open the dishwasher and let suds dissipate. Remove water by pressing <b>Start</b> and closing the door for 30 seconds. Open the door, press <b>Start</b> for 3 seconds, and close the door if necessary.</li> </ul>
	<p><b>Rinse agent was spilled</b></p>	<p>Always wipe up rinse agent spills immediately.</p>

<p><b>Detergent left in dispenser cups</b></p>	<p><b>Dishes are blocking the detergent cup</b></p>	<ul style="list-style-type: none"> <li>• Reposition the dishes, so the water lower spray arm can flush the detergent dispenser.</li> <li>• See the <b>Loading</b> section.</li> <li>• Reposition dishware that may be blocking the detergent dispenser cup door from opening.</li> <li>• See the <b>Loading</b> section.</li> <li>• Don't place large bowls or pots directly in front of the detergent dispenser</li> </ul>
<p><b>Black or gray marks on dishes</b></p>	<p><b>Aluminum utensils have rubbed against dishes</b></p>	<ul style="list-style-type: none"> <li>• Remove marks with a mild, abrasive cleaner.</li> </ul>
<p><b>Dishes don't dry</b></p>	<p><b>Low inlet water temperature</b></p>	<ul style="list-style-type: none"> <li>• Make sure inlet water temperature is at least 120°F.</li> <li>• Select <b>Heated Dry</b> or <b>Dry Boost</b>.</li> <li>• Use <b>Wash Temp Boost</b>.</li> <li>• Select a higher cycle, such as <b>Steam Clean</b> or <b>Heavy</b>.</li> </ul>
	<p><b>Rinse agent dispenser is empty</b></p>	<ul style="list-style-type: none"> <li>• Check the rinse agent dispenser and add if required.</li> </ul>
	<p><b>Additional drying time is needed</b></p>	<ul style="list-style-type: none"> <li>• Leave door closed after the Clean cycle to allow the fan to run an additional 30 minutes (on some models).</li> <li>• <b>Note:</b> If you open the door, this fan cycle will be cancelled.</li> </ul>
<p><b>Control panel responded to inputs but dishwasher never filled with water</b></p>	<p><b>Door may not be completely closed</b></p>	<ul style="list-style-type: none"> <li>• Make sure the door is firmly closed.</li> </ul>
	<p><b>Water valve may be turned off</b></p>	<ul style="list-style-type: none"> <li>• Make sure water valve (usually located under the sink) is turned on.</li> </ul>



	<b>Flood float may be stuck</b>	<ul style="list-style-type: none"> <li>Remove Ultra-Fine filter and lightly clean it under the ultra fine filter that looks like a mesh. Replace the filter.</li> </ul>
<b>Stained tub interior</b>	<b>White film on inside surface— hard water minerals</b>	<ul style="list-style-type: none"> <li>GE Appliances recommends <b>Finish Rinse Aid</b> to help prevent hard water deposits from forming.</li> <li>Run dishwasher with citric acid to remove mineral deposits. Citric acid (Part <b>WD35X151</b>) can be ordered through GE Appliances Parts. See back cover for more information. Alternatively, purchase <b>Dishwasher Cleaner</b> and follow the instructions on the label.</li> </ul>
<b>Dishwasher won't run</b>	<b>Fuse is blown or circuit breaker is tripped</b>	<ul style="list-style-type: none"> <li>Replace fuse or reset circuit breaker. Remove any other appliances from the circuit.</li> </ul>
	<b>Power is turned off</b>	<ul style="list-style-type: none"> <li>In some installations, the power to the dishwasher is provided through a switch often located next to the disposer. Make sure it is on.</li> </ul>
	<b>Control panel is locked</b>	<ul style="list-style-type: none"> <li>Unlock control panel. See the <b>Get Started</b> section.</li> </ul>
	<b>Possible leak is detected</b>	<ul style="list-style-type: none"> <li>Some models are equipped with a leak detector and the cycle will be cancelled if a leak is detected. The display will show "LEAK DETECTED". Call for service.</li> </ul>



	<b>Proper Start sequence was not followed</b>	<ul style="list-style-type: none"> <li>• See the Using the dishwasher section.</li> </ul>
<b>Control panel lights go off when you're setting controls</b>	<b>Time too long between touching of selected buttons</b>	Each pad must be touched within 30 seconds of others. To relight, touch any pad again or touch the lock and unlock (top control).
<b>Water standing in the bottom of the tub</b>	<b>Air gap is clogged</b>	Clean the air gap. See the <b>Care and Cleaning</b> section.
	<b>High drain loop or air gap not installed</b>	Refer to the Installation Instructions for proper installation.
<b>Water won't pump out of the tub</b>	<b>Drain is clogged</b>	<p>If you have an air gap, clean it. See the <b>Care and Cleaning</b> section.</p> <p>If the dishwasher drains into a disposer, run the disposer clear. Check to see if your kitchen sink is draining properly. If not, you may need a plumber.</p>
<b>Steam</b>	<b>This is normal</b>	Warm, moist air comes through the vent during the wash cycle and when water is being pumped out. This is normal for drying.
<b>Sanitized light does not illuminate at the end of the cycle</b>	<b>The door was opened and the cycle was interrupted during final rinse</b>	Do not interrupt the cycle by opening the dishwasher during the wash cycle.
	<b>The incoming water temperature was too low</b>	Raise the water heater temperature to between 120°F and 150°F.
<b>Noise</b>	<b>Normal operating sounds:</b> <b>Beeping at the end of the cycle (on some models)</b> <b>Detergent cup opening</b> <b>Water entering dishwasher</b> <b>Motor stops and starts at various times during cycle</b>	These are all normal. No action is required.



	<p><b>Spray arms start and stop at various times Drain pump sounds during pump out</b></p> <p><b>Drain pump starts and stops several times during each drain</b></p>	
	<p><b>Rattling dishes when the spray arm rotates</b></p>	<p>Make sure dishes are properly loaded. See section.</p>
	<p><b>Rattling silverware against door during wash</b></p>	<p>Tall utensils may be placed in the upper rack bumping against inner door during wash cycle.</p>
<p><b>A white film on glassware, dishware and the interior</b></p>	<p><b>This problem is likely caused by a low quality phosphate-free dishwasher detergent</b></p>	<p>To remove the white film, run your dishes through a dishwasher cycle with citric acid. Use a <b>WD</b> acid kit found online. Otherwise, use <b>Finish® Dishwasher Cleaner</b> found at your local grocery store. Pour the citric acid in the detergent cup and cover. Place the filmed but otherwise clean glassware and dishware in the dishwasher. Leave silverware and other metal items out of the dishwasher. Turn the dishwasher on and let it run through a complete cycle without detergent. The glassware, dishware and dishwasher should come out film free. Alternatively, a vinegar rinse may be used. Pour 1 cup of vinegar in the dishwasher just after the detergent cup opens and the dishwasher complete its cycle.</p> <p>This may be repeated several times a year.</p> <p>The use of a rinse agent such as <b>Finish® Rinse Aid</b> may help minimize a repeat build-up. Also, the use of a highly rated detergent such as <b>Quantum® Automatic Dishwashing Detergent</b> may help prevent film build-up.</p>

**Warning**



This content is compiled from multiple sources and is provided for reference purposes only. It may not be complete or fully applicable to all situations. If you are unable to resolve your issue, please contact the product manufacturer or an authorized service provider for official support.

---

Document generated by [ManualsFile](#)

