

## **IMPORTANT SAFETY INSTRUCTIONS**

READ AND SAVE THESE SAFETY INSTRUCTIONS BEFORE USING THIS FAN

When using electrical appliances, basic precautions should always be followed to reduce the risk of fire, electric shock, and injury to persons, including the following:

FOR US MODELS ONLY – This product employs overload protection (fuse). A blown fuse indicates an overload or short-circuit situation. If the fuse blows, unplug the product from the outlet. Replace the fuse as per the user servicing instructions (follow product marking for proper fuse rating) and check the product. If the replacement fuse blows, a short-circuit may be present and the product should be discarded or returned to an authorized service facility for examination and/or repair.

1. Use this fan only as described in this manual. Other use not recommended as it may cause fire, electric shock or injury to persons.
2. This product is intended for household use ONLY and not for commercial, industrial or outdoor use.
3. To protect against electric shock, do not place fan in window, immerse unit, plug or cord in water or spray with liquids.
4. This appliance has a polarized plug (one blade is wider than the other). To reduce the risk of shock, this plug is intended to fit only one way in a polarized outlet. If the plug does not fit fully in the outlet, reverse the plug. If it still does not fit, contact a qualified electrician.

DO NOT attempt to defeat this safety feature.

5. Close supervision is necessary when any appliance is used by or near children.
6. Turn the fan OFF and unplug the fan from the outlet when not in use, when moving the fan from one location to another and before cleaning.
7. To disconnect the fan, first turn the unit OFF, grip the plug and pull it from the wall outlet. Never pull the plug by the cord.
8. Do not operate the fan in the presence of explosive and/or flammable fumes.
9. Do not place the fan or any parts near an open flame, cooking or other heating appliance.
10. Do not operate the fan with a damaged cord or plug or if the product malfunctions, is dropped or damaged in any manner (see warranty).
11. Avoid contact with moving fan parts.
12. The use of attachments not recommended by the manufacturer may be hazardous.
13. Place the fan on a dry level surface.

14. Do not hang or mount fan on a wall or ceiling.
15. Do not operate if the fan housing is damaged.
16. A loose fit between the AC outlet (receptacle) and plug may cause overheating and a distortion of the plug. Contact a qualified electrician to replace loose or worn outlet.
17. Do not operate any fan with a damaged cord or plug. Discard any damaged fan, return the fan to the retailer where the fan was purchased, or request a return authorization to return to Kaz USA, Inc. for examination and/or repair.
18. Do not run fan cord under carpeting. Do not cover cord with throw rugs, runners, or similar coverings. Do not route cord under furniture or appliances. Arrange cord away from traffic areas and where it will not be tripped over.

**WARNING:** To Reduce The Risk of Fire or Electric Shock, Do Not Use This Fan With Any Solid-State Speed Control Device, other than the one supplied.

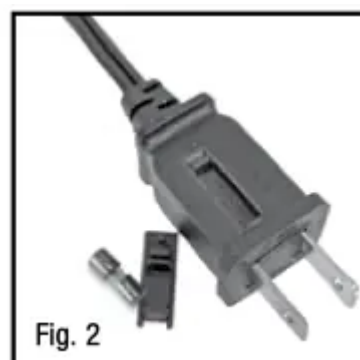
### **FUSED SAFETY PLUG - FOR US ONLY**

**Thank you for your purchase.**

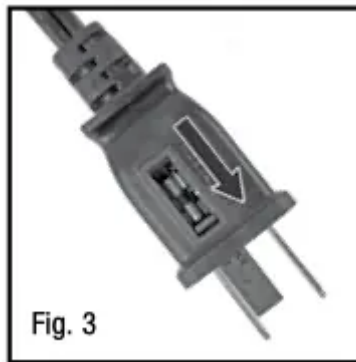
This fan features a fused safety plug which is designed to cut off electric current to the fan if an electrical fault occurs. Please see below for more information on how to properly use your fan and replace the safety plug fuse, if needed.

### **USER SERVICING INSTRUCTIONS**

- Grasp plug and remove from the receptacle or other outlet device. Do not unplug by pulling on cord.
- If your fan loses power and you suspect that the fuse on your fan has blown, you should first remove the spare fuse holder attached to the cord plug (Fig. 1). Remove the spare fuse from the plastic spare fuse holder, and set the spare fuse aside (Fig. 2).



- You can gain access to the blown fuse by sliding open the door found on the side of the plug. Slide the door outward until the blown fuse is fully visible (Fig. 3).

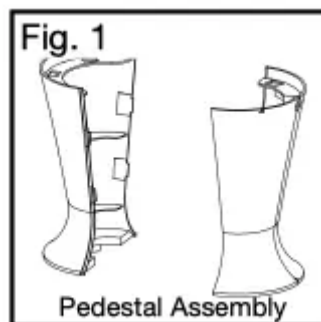


- Carefully remove the blown fuse and snap the replacement fuse into place. Risk of fire. Replace fuse only with 2.5 Amp, 125 volt fuse (provided with product). Fully close the fuse door by sliding back into place. Discard the blown fuse. The plug should now be ready for normal use.
- Risk of fire. Do not replace attached plug. Contains a safety device (fuse) that should not be removed. Discard product if the attached plug is damaged.
- If you need further information on how or when to replace the fuse in the safety plug, please contact Kaz Consumer Relations Department by visiting our website at kaz or calling 1-800-477-0457.

## ASSEMBLY INSTRUCTIONS

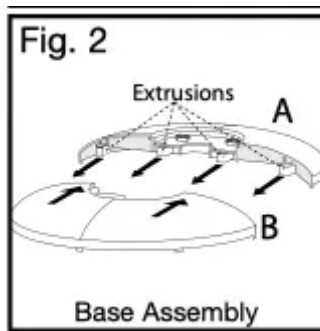
### A. Pedestal Assembly

- Line up the left and right pedestal assembly and firmly snap together (Fig. 1).



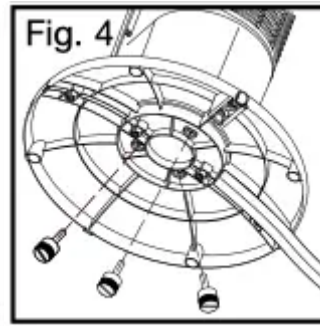
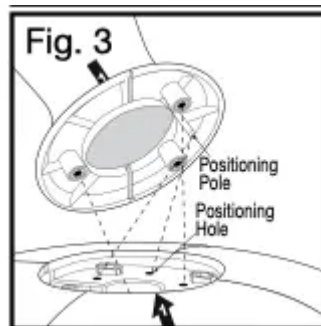
### B. Base Assembly

- Align the two portions of the circular base and snap together by gently pushing the 4 extrusions (Fig. 2, Item A) into the adjacent circles of the connecting piece (Fig. 2, Item B).



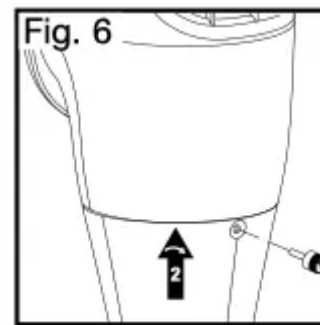
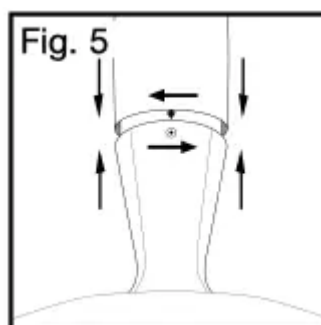
### C. Securing the Pedestal to the Base

- Align the 3 screw holes on bottom of pedestal with the 3 holes in the base such that the power cord holder is at the rear of the unit . (Fig. 3)
- Secure the base assembly to the pedestal by inserting and tightening the 3 screws in the 3 holes located on the bottom of the base (Fig. 4).



### D. Securing the Tower Fan to the Pedestal

- Carefully turn the fan on its side and place on a table. Place the power cord through the center of the pedestal and base assembly.
- Align the pedestal with the tower fan so that the one locking screw hole on the pedestal body is aligned with the rear of the tower fan unit. Firmly hold the base steady and rotate the pedestal assembly clockwise to lock the tower fan to the pedestal assembly (Fig. 5).
- Secure the pedestal to the tower fan by inserting and tightening 1 screw in the opening located near the top rear of the pedestal assembly (Fig. 6).

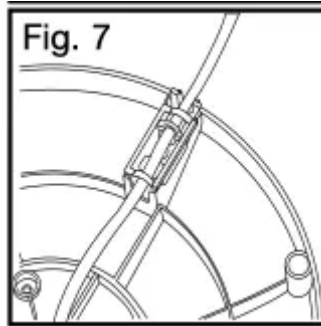


### E. Securing the Cord to the Base

- With the fan still on its side, locate the cord holding bracket on the bottom of the base.

- Gently pull any slack out of the power cord, place the power cord securely in the holding bracket and secure the power cord bracket over the power cord (Fig. 7).
- Return the tower fan to its upright position.

**Note:** Do not operate the tower fan unless it is in its proper, upright position.

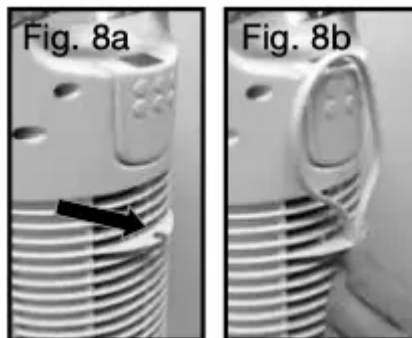


## CORD MANAGEMENT

The cord management feature is located on the back side of the fan.

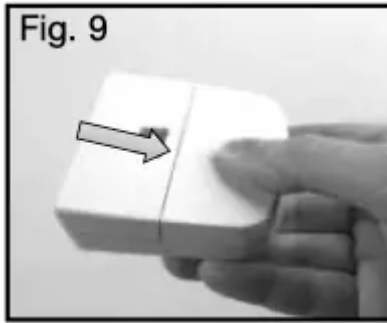
Simply double up the excess cord length, and place the two pieces of cord in the notch (Fig 8b).

The notch will hold the cord so that the excess length will not drag on the ground.



## REMOTE CONTROL BATTERY INSTALLATION/ REPLACEMENT INSTRUCTIONS

- Remove battery door by sliding downward in direction of arrow.
- Insert 2 AAA batteries into the remote following the directional guides in the recessed slots (Fig. 9). Batteries are included.
- Replace battery door by sliding upward opposite of arrow direction until door snaps in place.




**NOTE:** DO NOT MIX OLD AND NEW BATTERIES. DO NOT MIX ALKALINE, STANDARD (CARBON-ZINC) OR RECHARGEABLE (NICKEL-CADMIUM) BATTERIES.

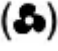
SEE RECYCLERS IN YOUR AREA FOR PROPER DISPOSAL OF BATTERIES.

## FAN OPERATION

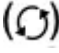
### On/Off

To turn fan on, press the Power button  located on the left side of the control panel.

### Speed Control

The fan will automatically start on “Sleep” speed when initially turned on. To adjust the speed up or down, press the Fan Speed button  repeatedly to increase level.


### Oscillation

To activate the Oscillation feature, press the Oscillation button  once.

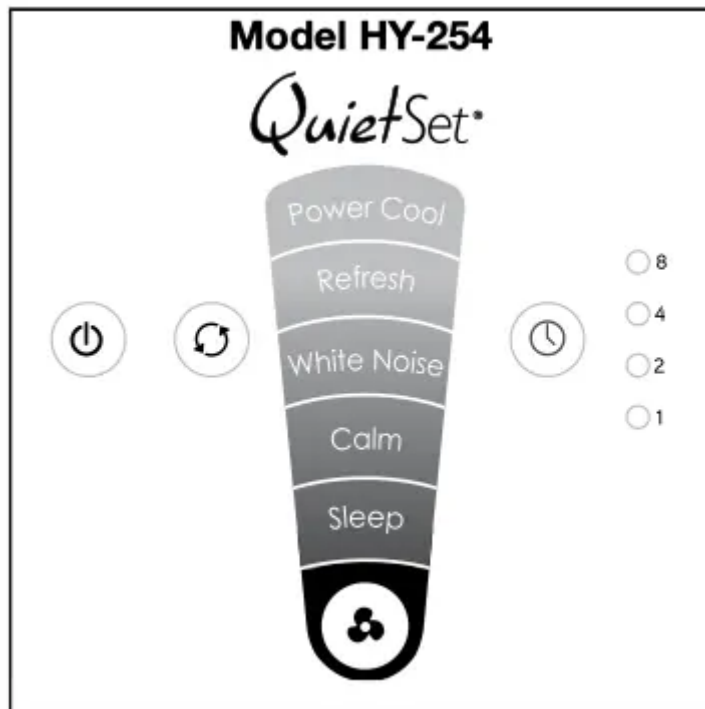
Press the Oscillation button again to turn the Oscillation feature off.

### Timer

Choose from 1, 2, 4, or 8 hour settings by performing the following function:

- 1 hour: Press the Timer button  once.
- 2 hours: Press the Timer button twice.
- 4 hours: Press the Timer button a third time.
- 8 hours: Press the Timer button a fourth time.

Press the Timer button a fifth time to turn the Timer feature off.



## REMOTE CONTROL OPERATION

### On/Off

Press the Power button (⏻) once to turn the fan on. Press the Power button a second time to turn the fan off.



### Speed Control

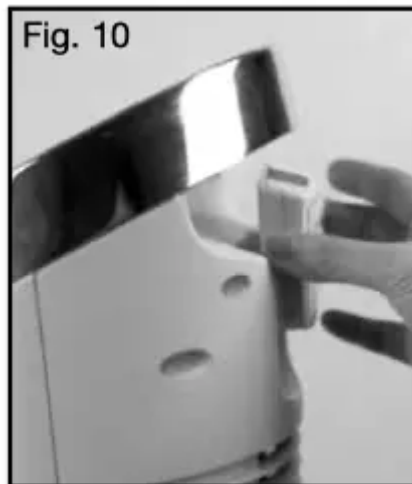
The fan will automatically start on “Sleep” speed when initially turned on. To adjust the speed up or down, press the Fan Speed button (⚙️) repeatedly to increase level

### Oscillation

To activate the Oscillation feature, press the Oscillation button (↺) once. Press the Oscillation button again to turn the Oscillation feature off.

## Remote Control Storage

When it is not in use, the remote control may be stored in the recessed area located behind the controls (Fig. 10).



## USER SERVICING INSTRUCTIONS

### CLEANING AND STORAGE

- Ensure the fan is turned off and unplugged.
- Use only a soft cloth to gently wipe the outer surfaces of the fan clean.
- To clean between the grills and fan blade area, we recommend using a pipe cleaner, flexible dust wand, vacuum cleaner or compressed air to gently remove the dust.
- To clean the rear grill use a soft dry cloth.
- DO NOT immerse the fan in water and never allow water to drip into the motor housing.
- DO NOT use gasoline, paint thinner or other chemicals to clean the fan.
- For storage, you may leave the fan assembled and covered to protect it from dust. Store the fan in a cool, dry place.

#### Warning

This content is compiled from multiple sources and is provided for reference purposes only. It may not be complete or fully applicable to all situations. If you are unable to resolve your issue, please contact the product manufacturer or an authorized service provider for official support.