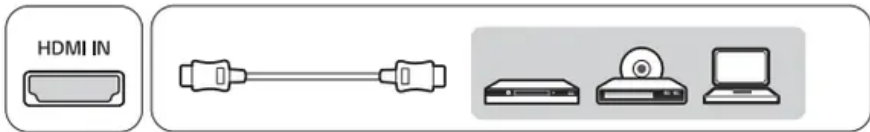
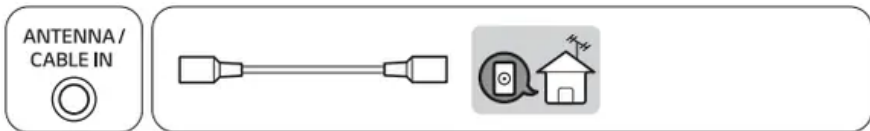
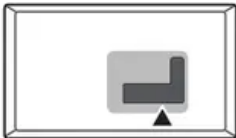
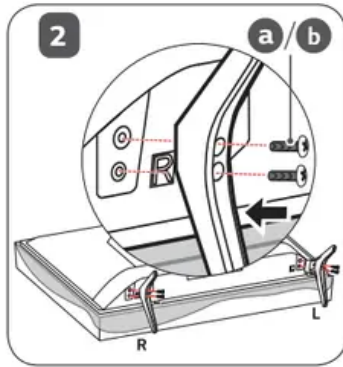
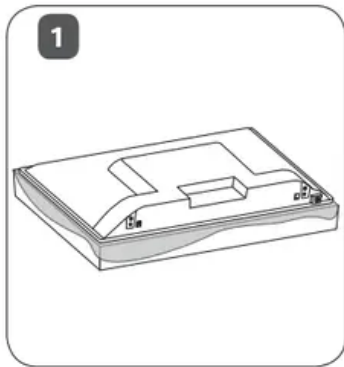
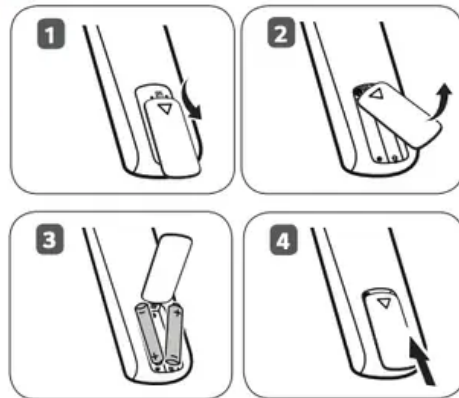
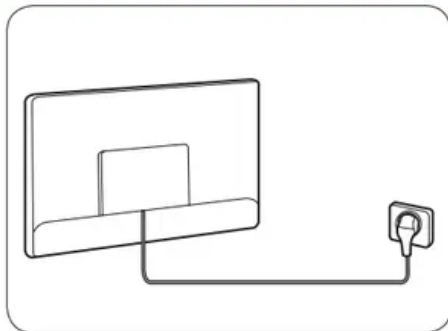
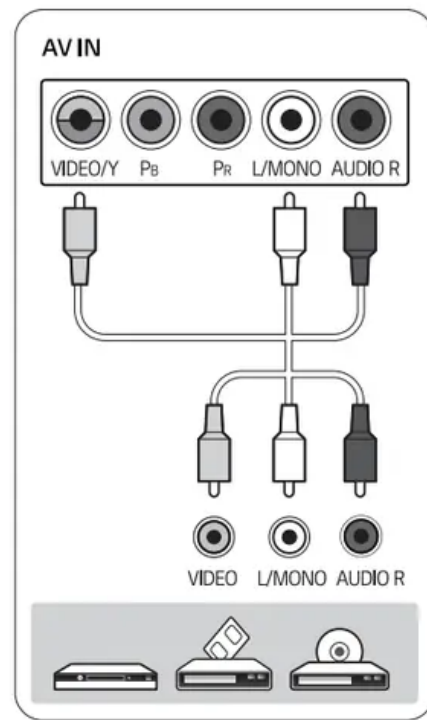
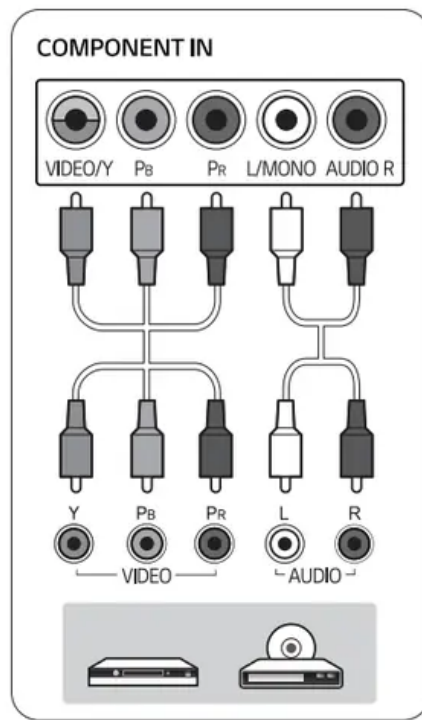
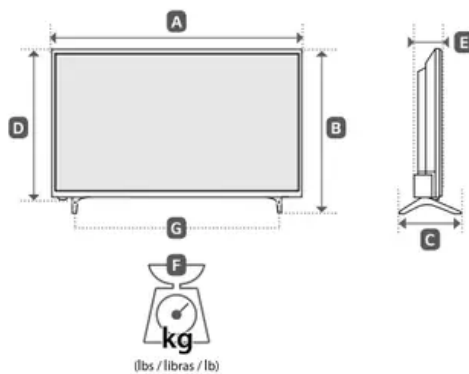
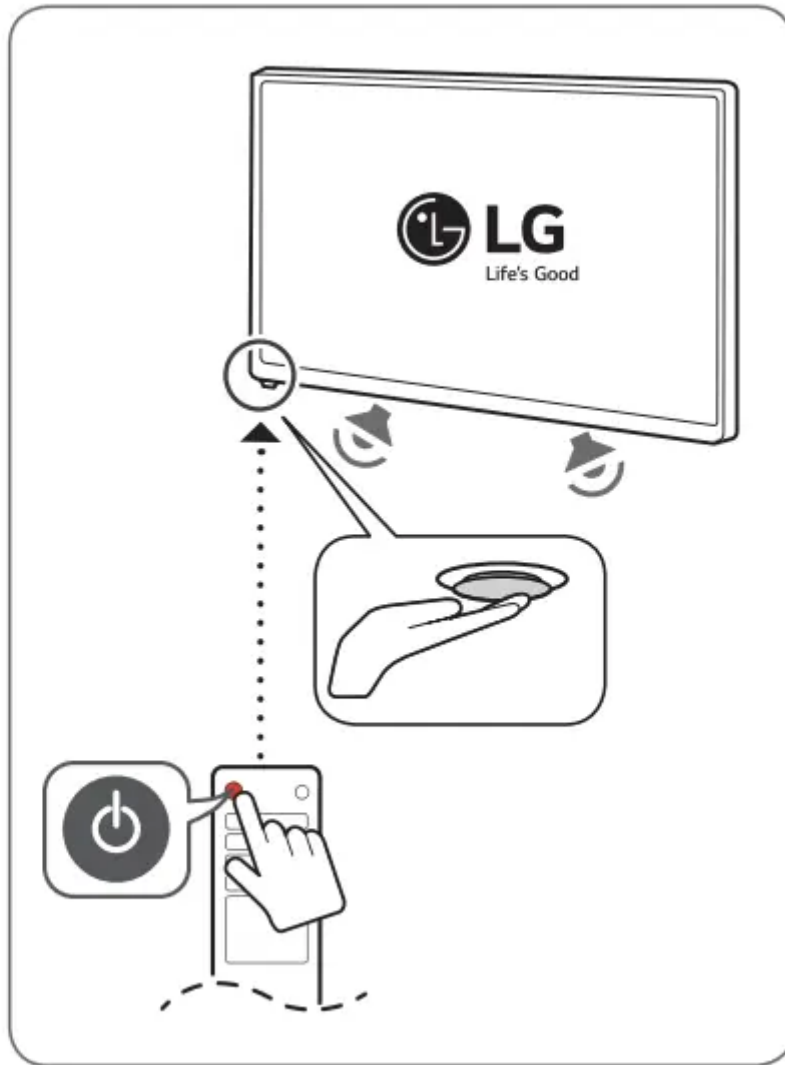


Owner 's Manual for LED TV





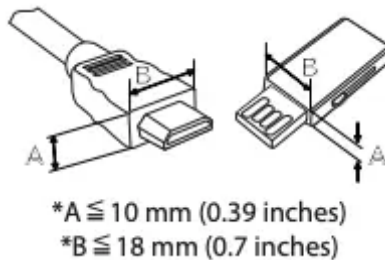


A B C D E : mm (inches / pulgadas / po)
F G : kg (lbs / libras / lb)

Preparing

- Image shown may differ from your TV.
- Your TV's OSD (On Screen Display) may differ slightly from that shown in this manual.

- The available menus and options may differ from the input source or product model that you are using.
- New features may be added to this TV in the future.
- The items supplied with your product may vary depending upon the model.
- Product specifications or contents of this manual may be changed without prior notice due to upgrade of product functions.
- For an optimal connection, HDMI cables and USB devices should have bezels less than 10 mm (0,39 inches) thick and 18 mm (0.7 inches) width.
- Use an extension cable that supports USB 2.0 if the USB cable or USB flash drive does not fit into your TV's USB port.
- Use a certified cable with the HDMI logo attached. If you do not use a certified HDMI cable, the screen may not display or a connection error may occur.
- Recommended HDMI cable types
 - High-Speed HDMI®/™ cable
 - High-Speed HDMI®/™ cable with Ethernet



- Do not use any unapproved items to ensure the safety and lifespan of the product.
- Any damages or injuries by using unapproved items are not covered by the warranty.
- Some models appear to have a thin film on the screen. It is actually part of the screen; do not remove it.
- When attaching the stand to the TV set, place the screen facing down on a cushioned table or flat surface to protect the screen from scratches.
- Make sure that the screws are fastened tightly. (If they are not fastened securely enough, the TV may tilt forward after being installed.)
- Do not fasten the screws with excessive force otherwise they may be worn out and become loose.

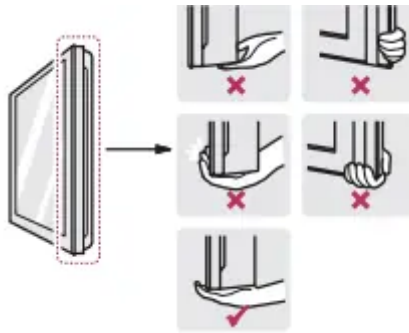
Lifting and Moving the TV

When moving or lifting the TV, read the following to prevent the TV from being scratched or damaged and for safe transportation regardless of its type and size.

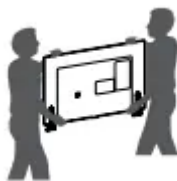
- It is recommended to move the TV in the box or packing material that the TV originally came in.
- Before moving or lifting the TV, disconnect the power cord and all cables.
- When holding the TV, the screen should face away from you to avoid damage.



- Hold the top and bottom of the TV frame firmly. Make sure not to hold the transparent part, speaker, or speaker grille area.



- Use at least two people to move a large TV.
- When transporting the TV by hand, hold the TV as shown in the following illustration.



- When transporting the TV, do not expose the TV to jolts or excessive vibration.
- When transporting the TV, keep the TV upright; never turn the TV on its side or tilt towards the left or right.
- When handling the TV, be careful not to damage the protruding buttons.

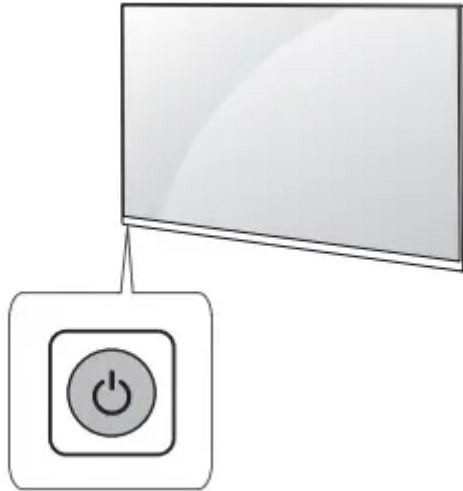


- Avoid touching the screen at all times, as this may result in damage to the screen.
- Do not place the product on the floor with its front facing down without padding. Failure to do so may result in damage to the screen.

- Do not move the TV by holding the cable holders, as the cable holders may break, and injuries and damage to the TV may occur. (Depending upon model)

Using the Button

You can operate the TV by pressing the button.



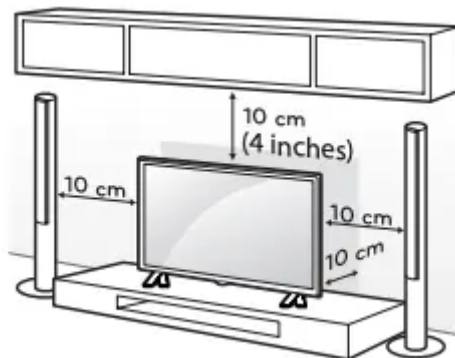
Basic Functions



Power On / Off (Press)

Mounting on a Table

1. Lift and tilt the TV into its upright position on a table.
 - Leave a 10 cm (4 inches) (minimum) space from the wall for proper ventilation.



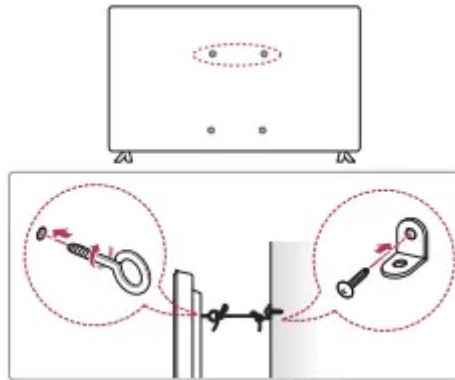
2. Connect the power cord to a wall outlet.



Do not apply foreign substances (oils, lubricants, etc.) to the screw parts when assembling the product. (Doing so may damage the product.)

Securing the TV to a Wall (optional)

(Depending upon model)



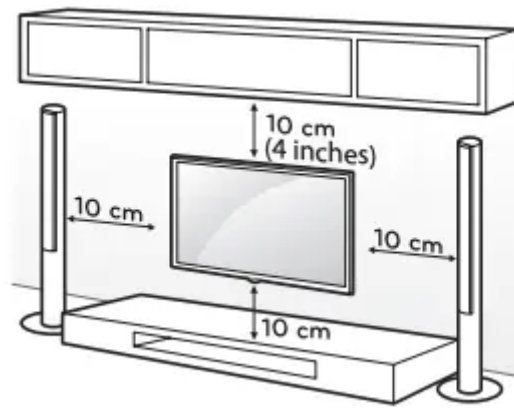
1. Insert and tighten the eye-bolts or TV brackets and bolts on the back of the TV.
 - If there are bolts inserted at the eye-bolts position, remove the bolts first.
2. Mount the wall brackets with the bolts to the wall. Match the location of the wall bracket and the eye-bolts on the rear of the TV.
3. Connect the eye-bolts and wall brackets tightly with a sturdy rope or cable. Make sure to keep the rope parallel to the flat surface.



- Make sure that children do not climb on or hang on the TV.
- Use a platform or cabinet that is strong and large enough to support the TV securely.
- Brackets, bolts, and ropes are optional. You can obtain additional accessories from your local dealer.

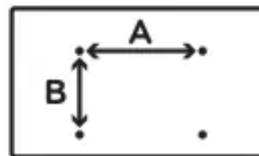
Mounting on a Wall

An optional wall mount can be used with your LG Television. Consult with your local dealer for a wall mount that supports the VESA standard used by your TV model. Carefully attach the wall mount bracket at the rear of the TV. Install the wall mount bracket on a solid wall perpendicular to the floor. If you are attaching the TV to other building materials, please contact qualified personnel to install the wall mount. Detailed instructions will be included with the wall mount. We recommend that you use an LG brand wall mount. The LG wall mount is easy to adjust or to connect the cables. When you do not use LG's wall mount bracket, use a wall mount bracket where the device is adequately secured to the wall with enough space to allow connectivity to external devices. If you are using a non-adjustable mount, attach the mount to the wall. Attach the cables to the TV first, then attach the TV to the mount.



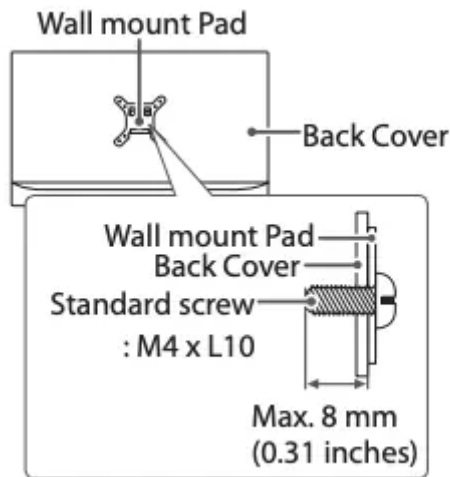
Make sure to use screws and wall mounts that meet the VESA standard. Standard dimensions for the wall mount kits are described in the following table.

Model	32LJ500B	43LJ5000 43LJ500M	28LJ400B 28LJ430B 28MT42DF
VESA (A x B)	100 x 100	200 x 200	100 x 100
Standard screw	M4	M6	M4
Number of screws	4	4	4
Wall mount bracket (optional)	LSW140B	LSW240B MSW240	RW120



- Remove the stand before installing the TV on a wall mount by performing the stand attachment in reverse.

- Screw length from outer surface of back cover should be under 8 mm (0.31 inches). (For 28LJ400B, 28LJ430B, 28MT42DF)



Connections (Notifications)

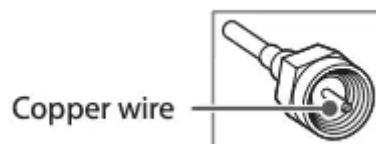
You can connect various external devices to the TV. Supported external devices are: HD receivers, DVD players, VCRs, audio systems, USB storage devices, PC, gaming devices, and other external devices. For more information on external device's connection, refer to the manual provided with each device.

- If you record a TV program on a DVD recorder or VCR, make sure to connect the TV signal input cable to the TV through a DVD recorder or VCR. For more information about recording, refer to the manual provided with the connected device.
- The external device connections shown may differ slightly from illustrations in a manual.
- Connect external devices to the TV regardless about the order of the TV port.
- If you connect a gaming device to the TV, use the cable supplied with the gaming device.
- Refer to the external equipment's manual for operating instructions.

Connecting to an Antenna or Cable

Connect an antenna, cable, or cable box to watch TV while referring to the following. The illustrations may differ from the actual items and an RF cable is optional.

- Make sure not to bend the copper wire of the RF cable.



- Complete all connections between devices, and then connect the power cord to the power outlet to prevent damage to your TV.
- Use a signal splitter to use 2 TVs or more.
- DTV Audio Supported Codec: MPEG, Dolby Digital, HE-AAC

Other Connections

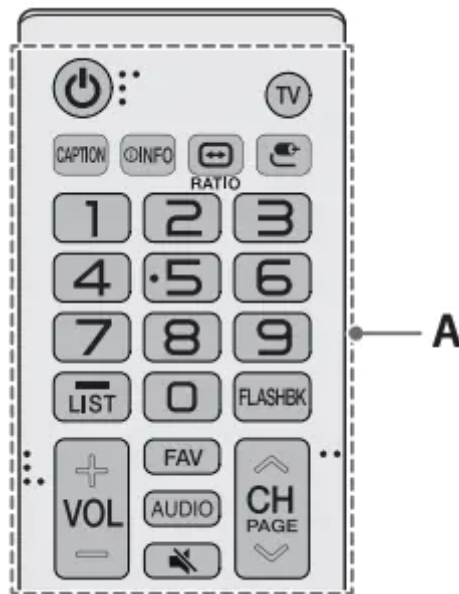
Connect your TV to external devices. For the best picture and audio quality, connect the external device and the TV with the HDMI cable.

- HDMI Audio Supported Format: AC3 (32 kHz / 44.1 kHz / 48 kHz), PCM (32 kHz / 44.1 kHz / 48 kHz / 96 kHz) (Depending upon model)

Remote Control

(Some buttons and services may not be provided depending upon models or regions.)

The descriptions in this manual are based on the buttons on the remote control. Please read this manual carefully and use the TV correctly. To install batteries, open the battery cover, replace batteries (1.5 V AAA) matching the \oplus and \ominus ends to the label inside the compartment, and close the battery cover. Failure to match the correct polarities of the battery may cause the battery to burst or leak, resulting in fire, personal injury, or ambient pollution. To remove the batteries, perform the installation actions in reverse. This remote uses infrared light. When in use, it should be pointed in the direction of the TV's remote sensor.



A

⏻ (Power) Turns the TV on or off.

TV Returns to the last TV channel.

CAPTION Activates or deactivates the subtitles.

ⓘ (INFO) Shows information on the current program.

⏏ (RATIO) Resizes an image.

📺 (Input) Shows information on the current program.

Number button Enters numbers.

— (Dash) Inserts a dash between numbers such as 2-1 and 2-2.

LIST Accesses the saved channel list.

FLASHBK Alternates between the two last channels selected (pressing repeatedly).

+ VOL - Adjusts the volume level.

FAV Accesses your favorite channel list.

AUDIO Digital signal: Changes the audio language.

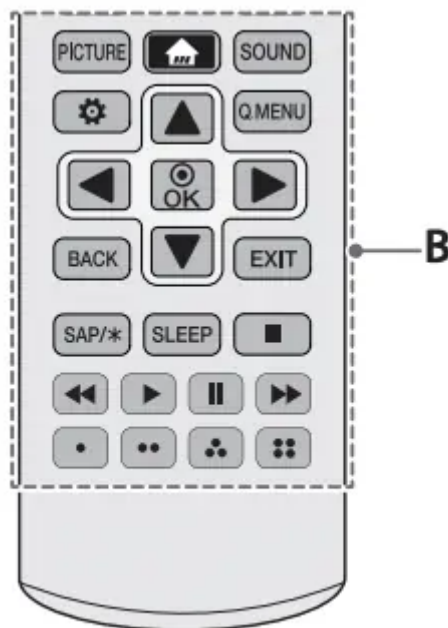
Analog signal: Changes the MTS sound.

🔇 (Mute) Mutes all sounds.

^ CH v Scrolls through the saved channels.

^ PAGE v Moves to the previous or next screen.

B



PICTURE Changes the picture mode.

 (Home) Accesses the Home menu.


SOUND Changes the sound mode.

 (Settings) Accesses the setting menu.

Q.MENU Accesses the quick menu.

Navigation button (up / down / left / right)

Scrolls through menus or options.

 Selects menus or options and confirms your input.


BACK Returns to the previous screen.

EXIT Clears all on-screen displays and returns to TV viewing.

SAP/* Enables SAP (Secondary Audio Program) Feature.

SLEEP Sets the length of time until the TV to turns off.

 Control buttons for media contents

 These access special functions in some menus.

Settings

To select Picture Mode

 (Settings) ► Picture ► Picture Mode Settings ► Picture Mode

Select the picture mode optimized for the viewing environment or the program.

- Vivid Heightens contrast, brightness, and sharpness to display vivid images.
- Standard Displays images in standard levels of contrast, brightness and sharpness.
- Cinema / Game Displays the optimum picture for movie or game.
- Sports Optimised picture mode for football matches. The pitch and kits are presented in vibrant colours, with crystal-clear images even for fast movements.
- Depending upon the input signal, the available range of picture modes may differ.

Setting the Picture Mode

 (Settings) ► Picture ► Picture Mode Settings

This feature allows you to adjust the selected picture mode in detail.

- Backlight Controls the level of screen brightness by adjusting the backlight. The closer to 100, the brighter the screen. Decrease the Backlight to reduce energy consumption.
- Contrast Adjusts the contrast of the bright and dark areas of the picture. The closer to 100, the higher the contrast.
- Brightness Adjusts the overall screen brightness. The closer to 100, the brighter the screen.
- Sharpness Adjusts the sharpness of the image. The closer to 50, the sharper and clearer the image.
- Color Tones down or up the colors displayed on the screen. The closer to 100, the deeper the color.
- Tint Adjusts the color balance between red and green displayed on the screen. The closer to Red the more red the color will be. The closer to Green 50, the more green the color will be.
- Color Temperature Adjusts the overall tone of the screen as desired. In Expert mode, detailed fine-tuning can be set via Gamma method, etc.
- The settings you specify only applies to the currently selected input mode. To apply your current picture settings to all input modes, select Apply to all inputs.
- Depending upon input signal or other picture settings, the range of detailed items for adjustment may differ.

To set expert control

 (Settings) ► Picture ► Picture Mode Settings ► Expert Controls

For each picture mode, the screen can be calibrated; or for a special screen, picture settings can be adjusted. Select the desired Picture Mode.

- Dynamic Contrast Adjusts the contrast to the optimal level according to the image's brightness.
- Dynamic Color Adjusts colors to make the image appear in more natural colors.
- Gamma Sets the gradation curve according to the output of picture signal in relation to the input signal.
- Depending upon input signal or other picture settings, the range of detailed items for adjustment may differ.

To set additional picture options

 (Settings) ► Picture ► Picture Mode Settings ► Picture Options

Adjusts detailed setting for images.

- Noise Reduction Eliminates noise in the picture.
- MPEG Noise Reduction Eliminates noise generated while creating digital picture signals.
- Black Level Adjusts the brightness and contrast of the screen to suit the black level.
- Real Cinema Optimizes the screen for movie viewing.
- Depending upon input signal or other picture settings, the range of detailed items for adjustment may differ

Initializing picture settings

 (Settings) ▶ Picture ▶ Picture Mode Settings ▶ Picture Reset

Initializes picture settings that the user customizes.

Each picture mode is reset. Select the desired picture mode to reset.

Setting the Screen Size

 (Settings) ▶ Picture ▶ Aspect Ratio

Selects the screen aspect ratio

- 16:9 Displays an aspect ratio of 16:9.
- Original Changes the aspect ratio to 4:3 or 16:9 depending upon the input video signal.
- 4:3 Displays an aspect ratio of 4:3.
- Zoom Resizes the image to fit the screen width. The top and bottom parts of the image may be cut off.
- Just Scan Displays video images in the original size without removing parts of the edge of the image. (This function works in DTV/Component/ HDMI (720p / 1080i / 1080p) Mode.)
 - If you select Just Scan, you may see image noises at the edge of the original signal.
- Viewing content from an external device or, for an extended period of time, having fixed text such as the program name or using an aspect ratio of 4:3 may result in image sticking.
- Available picture size may differ depending on the input signal.

To use Energy Saving Feature

 (Settings) ▶ Picture ▶  Energy Saving

Reduces power consumption by adjusting peak screen brightness.

- Off Turns off the Energy Saving.
- Minimum / Medium / Maximum Applies the pre-set Energy Saving.
- Screen Off Screen is turned off and only sound is played. Press any button on the remote control to turn the screen back on.

To use picture test

 (Settings) ► Picture ► Picture Test

Conducts Picture Test first to verify that image signal output is normal. When the test image is normal, check connected external devices or broadcast signal.

Selecting Sound Mode

 (Settings) ► Sound ► Sound Mode Settings ► Sound Mode

Adjusts TV audio to an optimal level based on a selected sound mode.

- Standard Optimizes the sound for all types of content.
- Cinema Optimizes the sound for cinemas.
- Sports Optimizes the sound for sports.
- Music Optimizes the sound for music.
- Game Optimizes the sound for gameplay.

To adjust audio balance

 (Settings) ► Sound ► Sound Mode Settings ► Balance

Adjust the volume of the left and right speakers.

Using the Sound Effect function

 (Settings) ► Sound ► Sound Mode Settings

The user can select various sound effects.

- Treble Controls the dominant sounds in the output. When you turn up the treble, it will increase the output to the higher frequency range.
- Bass Controls the softer sounds in the output. When you turn up the bass, it will increase the output to the lower frequency range.
- Reset Reset the sound effect settings.
- This is only available if Sound Mode is set to Standard.

To set Auto Volume

 (Settings) ▶ Sound ▶ Auto Volume

Sets Auto Volume to On and volume output from channel to channel is automatically adjusted for convenient TV watching when clicking through different channels.

To use sound test

 (Settings) ▶ Sound ▶ Sound Test

Try Sound Test to verify that sound signal output is normal. When the test sound is normal, check connected external devices or broadcast signal.

To set up the channels automatically

 (Settings) ▶ Channels ▶ Auto Tuning

Memorizes automatically the channels being broadcast.

- The channels will not be memorized properly if the antenna/cable is not installed correctly.
- Auto Tuning memorizes the channels that are currently being broadcast.
- If Lock System is turned on, a pop-up window will appear asking for password.

To set up the channels at manually

 (Settings) ▶ Channels ▶ Manual Tuning

Adjusts channels manually and saves the results. For digital broadcasting, signal strength, etc. can be checked.

Editing the channels

 (Settings) ▶ Channels ▶ Channel Manager

Edits the saved channels.

To set Language

 (Settings) ▶ General ▶ Language

You can select the language of the menu displayed on the screen and the digital sound broadcasting.

- Menu Language Selects a language for the display text.

- Audio Language [In Digital mode Only] Selects the desired language when watching digital broadcasting containing several voice languages.

To set current time

 (Settings) ▶ General ▶ Time & Date ▶ Set Automatically

Checks or changes the time while watching TV.

- Synchronizes the TV clock to the digital time information sent by the TV station.
- Time / Date / Time Zone Sets the time and date manually if the auto setup does not correspond to the current time or region.
- Daylight Saving Daylight Saving Time refers to the practice of setting the clocks forward one hour from standard time during the summer months.

To use Sleep Timer

 (Settings) ▶ General ▶ Timers ▶ Sleep Timer

Turns off the TV after a prescribed number of minutes.

- To deactivate the Sleep Timer, select Off.

To turn on/off the TV

 (Settings) ▶ General ▶ Timers ▶ Timer Power On / Timer Power Off

You can set the Power On/Off time for the TV.

- Select Off if you are not going to set Timer Power On / Timer Power Off.
- To set Timer Power On / Timer Power Off, set the current time correctly.

Requesting service

 (Settings) ▶ General ▶ About This TV

For information on requesting service, refer to the TV's menu.

To set Power Indicator

 (Settings) ▶ General ▶ Standby Light

Turns on/off the standby light in the front panel of the TV.

To change the TV Mode

 (Settings) ▶ General ▶ Home/Store Mode

Selects Home Mode or Store Mode.

- When in use in home, please select Home Mode.
- Store Mode is for store display.

To return to initial settings

 (Settings) ► General ► Reset to Initial Settings

Returns to initial default mode by deleting all optional setup. Once initialization is completed, the TV will turn off and on by itself.

- When Lock System is in place, a pop-up window appears and asks for password.
- Do not turn off the power during initialization.

To set the password

 (Settings) ► Safety ► Set Password

Set or change the TV password.

- The initial password is set to 0000.

To set the Lock System

 (Settings) ► Safety ► Lock System

Permits only specific programs by blocking channels or external input.

At first, set Lock System to On.

- Set the movie and TV rating level by select relevant option from Movie Lock, Children TV Program Locks and General TV Program Locks. For downloadable videos, select Downloadable Rating to set up the rating level.
- A channel can be blocked by setting up Channel Locks.
- A input source can be blocked by setting up Input Locks.

To set the caption

 (Settings) ► Accessibility ► Closed Caption

View captions when the TV station provides captioned programming. Program captions work only on digital/analog broadcasts or external input.

Change Closed Caption to On and select caption settings.

- **Mode**

CC 1-4 (Closed Captioning) / Text 1-4: Displays the audio portion of a TV program as text on the TV screen. CC1 is the most common mode in use.

Field 1 data channels: two Captions (CC1, CC2), two Text (T1, T2).

Field 2 data channels: two Captions (CC3, CC4), two Text (T3, T4).

Service 1-6: This is only available for the digital broadcasting system.

- Digital Mode Options: Set up the size and color of the captions on Digital Mode Options. Please select Set By Program or Custom. Select Custom to adjust minute options such as the captions' size and color.

To use Audio Guidance

 (Settings) ► Accessibility ► Audio Guidance

When the Audio Guidance is set to On, the TV will announce its current status (Channel, Volume) by voice.

To remove the USB device

Q.MENU ► USB Device

Once the message that the USB device was removed is displayed, remove the device from the TV.

- After selecting to remove USB device, the USB storage device cannot be read. Remove the USB storage device and then reconnect it.

Warning when using USB storage devices

- USB storage devices with a built-in auto recognition program or its own driver may not work.
- Some USB storage devices may not work or may work improperly.
- Use only those USB storage devices formatted with FAT16, FAT32 or NTFS File System provided by Windows.
- For external USB HDD, use devices with less than 5V-rated voltages and 500 mA-rated current.
- It is recommended to use USB flash drive with 32 GB or less and USB HDD with 2 TB or less.
- If a USB HDD with power-saving function does not work properly, turn the power off and on. For more information, refer to the user manual of USB HDD.
- Data in the USB storage device can be damaged so back up important files in other devices. Data maintenance is the user's responsibility. The manufacturer is not responsible for data loss.

My Media Supported Files

- External supported subtitle formats: .srt (SubRip), .ssa/.ass (SubStation Alpha), .smi (SAMI), .sub (SubViewer1 , MicroDVD, DVDSubtitleSystem, SubIdx(VobSub)), .txt (TMPlayer) 1 SubViewer 1.0 & 2.0 Only
- Internal supported subtitle formats: .dat/.mpg/.mpeg/.vob (DVD Subtitle), .ts/.trp/.tp (DVB Subtitle), .mp4 (DVD Subtitle, UTF-8 Plain Text), .mkv (ASS, SSA, UTF-8 Plain Text, VobSub, DVD Subtitle), .avi (XSUB, XSUB+)

Supported Photo Formats

- Category: .jpg [Available file type] Progressive JPEG [Photo size] Minimum: 2 x 2, Maximum: 1,024 (W) x 768 (H)
- Category: .jpeg [Available file type] Baseline JPEG [Photo size] Minimum: 2 x 2, Maximum: 15,360 (W) x 8,640 (H)
- Category: .bmp [Available file type] BMP [Photo size] Minimum: 2 x 2, Maximum: 9,600 x 6,400 [Pixel Depth] 1/4/8/16/24/32 bpp
- Category: .png [Available file type] Interlaced, Non-Interlaced [Photo size] Minimum: 2 x 2, Maximum: Interlaced: 1,200 x 800, Non-Interlaced: 9,600 x 6,400
- BMP and PNG format files may be slower to display than JPEG, especially in high resolution.

Supported Audio Formats

- File type: .mp3 [Bit rate] 32 Kbps - 320 Kbps [Sample freq.] 16 kHz - 48 kHz [Support] MPEG1/2/2.5 Layer3
- File type: .ac3 [Bit rate] 32 Kbps - 640 Kbps [Sample freq.] 32 kHz, 44.1 kHz, 48 kHz [Support] AC3
- File type: .m4a, .aac [Sample freq.] 8 kHz - 48 kHz [Support] AAC
- File type: .flac [Bit rate] < 1.6 Mbps [Sample freq.] 8 kHz - 48 kHz [Support] FLAC
- File type: .wav [Bit rate] 64 Kbps - 1.5 Mbps [Sample freq.] 8 kHz - 48 kHz [Support] PCM
- When moving to a folder containing videos while playing music, the music may stop playing.

Supported Video Formats

- Maximum: 1,920 x 1,080p @ 30p (only Motion JPEG 640 x 480 @ 30p)
- .mpg, .mpeg [Video] MPEG-1, MPEG-2, MPEG-4 [Audio] MPEG1/2/2.5 Layer3, AC3, AAC, LPCM
- .avi [Video] MJPEG, MPEG-4, H.263, XViD, H.264, MPEG-1, MPEG-2 [Audio] MPEG1/2/2.5 Layer3, AC3, AAC, LPCM

- .ts [Video] MPEG-2, H.264, HEVC [Audio] MPEG1/2/2.5 Layer3, AC3, AAC, LPCM
- .mov, .mkv [Video] MPEG-4, H.263, H.264, HEVC, MPEG-1, MPEG-2, XViD [Audio] MPEG1/2/2.5 Layer3, AC3, AAC, LPCM
- .dat [Video] MPEG-1, MPEG-2 [Audio] MPEG1/2/2.5 Layer3, AC3, AAC, LPCM
- .mp4 [Video] MPEG-4, H.264, MPEG-1, MPEG-2 [Audio] MPEG1/2/2.5 Layer3, AC3, AAC, LPCM
- .vob [Video] MPEG-1, MPEG-2 [Audio] MPEG1/2/2.5 Layer3, AC3, AAC, LPCM
- .3gp [Video] H.264, MPEG-4 [Audio] MPEG1/2/2.5 Layer3, AC3, AAC, LPCM
- .flv [Video] H.264 [Audio] MPEG1/2/2.5 Layer3, AC3, AAC, LPCM
- Some codecs may not be supported depending on model.
- Some subtitles created by users may not work properly.
- The video and subtitle files should be placed in the same folder. Assign the same names to the video and subtitle files for proper display.
- Streams containing GMC (Global Motion Compensation) or Qpel (Quarterpel Motion Estimation) are not supported.
- Only H.264/AVC profile levels 4.1 and lower are supported.
- Video files that exceed 50 GB (Gigabyte) are not supported for playback. The file size limit is dependent on the encoding environment.
- [This feature is available on certain models only.] The DTS is supported only for playback of USB and HDMI video files.
- The DTS support may vary depending on your country and model.

Troubleshooting

Cannot control the TV with the remote control.

- Check if anything such as tape has been placed over the receiver.
- Check if there is any obstacle between the product and the remote control.
- Replace the batteries with new fresh ones.

No image display and no sound is produced.

- Check if the product is turned on.
- Check if the power cord is connected to a wall outlet.
- Check if there is a problem in the wall outlet by connecting other products.

The TV turns off suddenly.

- Check the power control settings. The power supply may be interrupted.
- Check if the Sleep Timer / Timer Power Off feature is activated in the Timers settings.

- If there is no signal while the TV is on, the TV will turn off automatically after 15 minutes of inactivity.

Abnormal Display

- If the TV feels cold to the touch, there may be a small flicker when it is turned on. This is normal; there is nothing wrong with TV. Some minute dot defects may be visible on the screen, appearing as tiny red, green, or blue spots. However, they have no adverse effect on the TV's performance. Avoid touching the LCD screen or holding your finger(s) against it for long periods of time. Doing so may produce some temporary distortion effects on the screen.
- This panel is an advanced product that contains millions of pixels. In a very few cases, you could see fine dots on the screen while you're viewing the TV. Those dots are deactivated pixels and do not affect the performance and reliability of the TV.
- Displaying a still image for a prolonged period of time may cause an image sticking. Avoid displaying a fixed image on the TV screen for an extended length of time.

Generated Sound

- **Cracking noise** A cracking noise that occurs when watching or turning off the TV is generated by plastic thermal contraction due to temperature and humidity. This noise is common for products where thermal deformation is required.
- **Electrical circuit humming/panel buzzing** .A low level noise is generated from a highspeed switching circuit, which supplies a large amount of current to operate a product. It varies depending upon the product. This generated sound does not affect the performance and reliability of the product.

Warning

This content is compiled from multiple sources and is provided for reference purposes only. It may not be complete or fully applicable to all situations. If you are unable to resolve your issue, please contact the product manufacturer or an authorized service provider for official support.