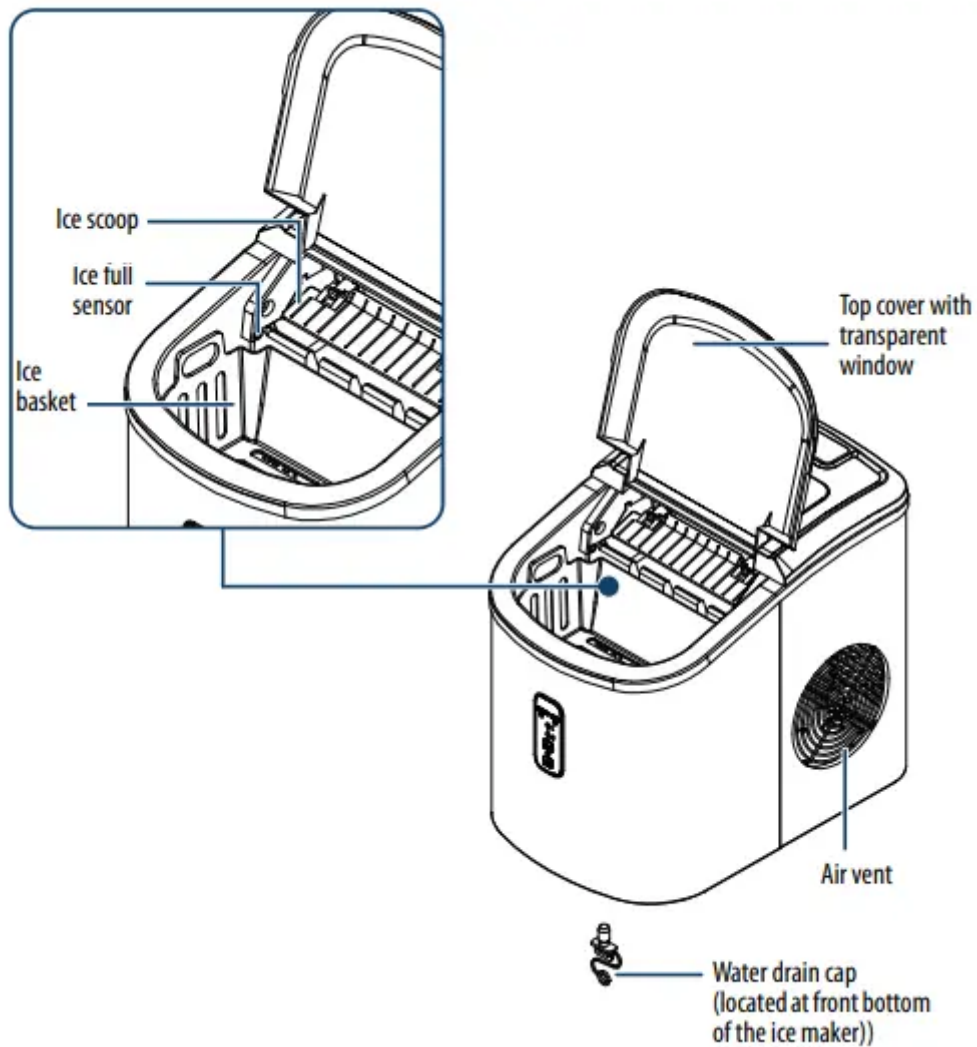


USER GUIDE Ice Maker

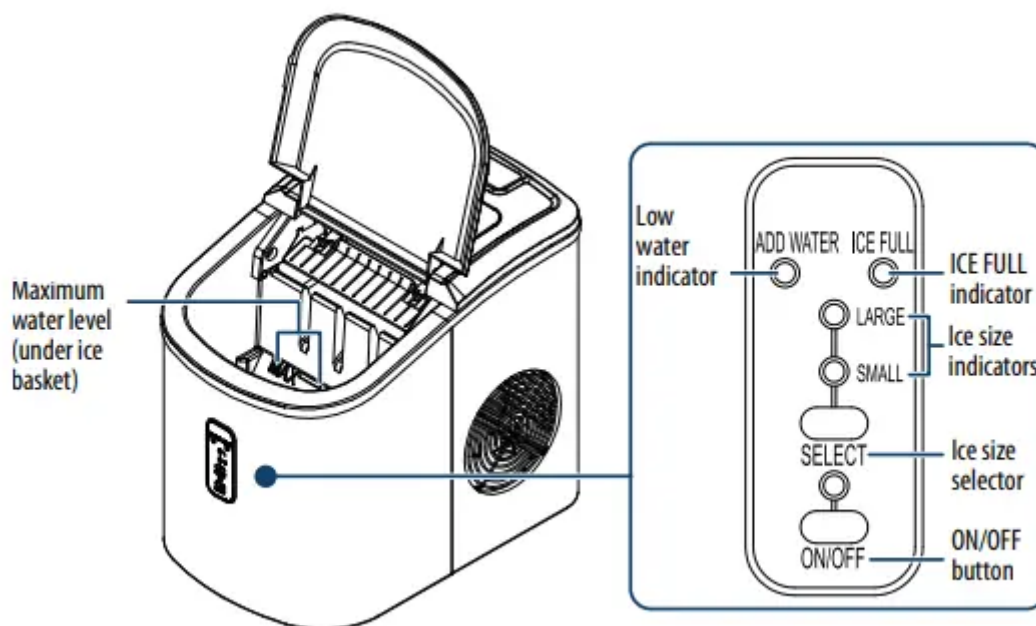
Features

- Produces up to 26 lbs. of ice a day
- Stores up to 1.1 lbs of ice at a time
- Water recycling system with a 2.11 quart reservoir
- Control panel with LED display
- Removable ice basket
- Low power consumption

Components



Control and display panel



Using your ice maker

Preparing your ice maker

1. Remove the exterior and interior packaging.
2. Make sure that the ice basket and ice scoop are inside. If any parts are missing, please contact customer service.
3. Remove the tape holding the ice scoop and ice basket.
4. Clean the tank and ice basket with diluted detergent, warm water, and a soft cloth.
5. Put the ice maker on a flat and level surface, out of direct sunlight and other sources of heat (such as a stove, furnace, or radiator). Make sure that the ice maker is positioned so that the plug is accessible and there is at least four inches (10 cm) of gap on all sides of the ice maker.
6. Allow one hour for the refrigerant fluid to settle, then plug the ice maker in to a grounded wall outlet.

Making ice: Prior to using your ice maker each time, wipe out the interior with a clean, damp cloth.

1. Open the cover and remove the ice basket.
2. Pour tap water into the tank up to the maximum water level mark.
3. Press the ON/OFF button to turn on your ice maker. The indicator above the button turns on to show that the ice maker is running.
4. Press the SELECT button to choose the size of ice produced. The ice making cycle takes from 6 to 13 minutes to complete, depending on the ice cube size selected and the

room temperature. The ice maker stops when the ice basket is full (the ICE FULL indicator turns on). Notes

- If the room temperature is below 60° F (15.6° C), select the SMALL ice cube size to prevent the ice cubes from sticking together.
 - Press and hold the SELECT button for five seconds to run 10 continuous cycles, even when the ICE FULL indicator is on.
5. Discard the first few batches of ice the first time you use the ice maker, or the first time you use it after an extended period of time. Caution
- Direct sunlight or reflected sunlight may cause the infrared sensor to malfunction. If the unit does not stop making ice cubes even when full, move the ice maker to a darker location.
 - You must change the water in the tank at least every 24 hours to ensure a reasonable hygiene level and avoid bad smelling ice.

Maintaining your ice maker

- Your ice maker is designed for year-round use with only minimal cleaning and maintenance.
- When you first receive it, wipe the outside with a mild detergent and warm water, then wipe dry with a dry cloth. Do this periodically to keep your ice maker looking new.
- Caution: To prevent damage to the finish, do not use:
 - Gasoline, benzine, thinner, or other similar solvents.
 - Abrasive cleaners.

Cleaning the interior of your ice maker

1. Unplug the ice maker.
2. Take out the ice basket.
3. Clean the interior with diluted detergent, warm water, and a soft cloth.
4. Use clean water to rinse the inside parts, then drain the water by unplugging the drain cap on the front bottom side.
5. Dry the interior with a clean soft cloth.
6. When the machine is not to be used for a long time, drain the water completely and dry the interior.

Tips on saving energy

- Locate your ice maker in the coolest area of the room, away from heat producing appliances or heating ducts and out of the direct sunlight.

- Make sure that the appliance is sufficiently ventilated, with adequate air circulation behind it.

Troubleshooting

Caution: Do not try to repair ice maker yourself. Doing so invalidates the warranty.

Problem	Possible cause	Possible solution
The ADD WATER indicator is on	The ice maker is out of water.	Turn the ice maker off, add water to the Maximum water level mark, then press the ON/OFF button to turn on the ice maker
The ICE FULL indicator is on	The ice basket is full.	Remove the ice from the ice basket.
The ice cubes stick together	The ice making cycle is too long.	Stop the ice maker, wait for the ice to melt, then restart the ice maker after selecting SMALL sized ice cubes.
	The water temperature is too cold.	Replace the water with warmer water.
The ice maker runs through its normal cycle, but no ice is formed	The room temperature or water temperature is too high.	The room temperature should be 50°F-105° F (10°-40.6° C), water temperature should be 40° F - 90° F (4.44° C - 32.2° C).
The ice maker won't stop making ice	Direct or reflected sunlight can cause the sensor to malfunction.	Move the ice maker to a darker location.

Specifications

Enclosure	NS-IMP26BK7 - plastic NS-IMP26SS7 - stainless steel
Net Weight	17.8 lbs. (8.1 kg)
Power requirements	120 V ~ 60 Hz
Current	Ice making - 1.5 A Ice harvest - 2.0 A
Dimensions (W x D x H)	9.53 x 14.09 x 12.91 in. (24.2 x 35.8 x 32.8 cm)
Shape of the ice	Round

Question & answer

1. Does insignia ice maker keep ice frozen?

- A: Since the ice maker doesn't keep the ice frozen once the ice is in the tray, when you transfer the ice to a container in the freezer, you need to move physically move the ice around with your fingers or other utensil.

2. How long does insignia ice maker take to make ice?

- A: it takes about 8 minutes to make ice.

3. Do you leave portable ice makers on all the time?

- If you're wondering if you can leave a portable ice maker on, the easy answer is that yes, you can.

4. Can you leave Insignia ice maker on?

- You need to leave it plugged in and running all the time if you want ice. If the unit is powered off the ice will melt and the water will return to the reservoir. This is just like your refrigerator or freezer in that it needs to be on all the time.

5. Why does it take 24 hours for a ice maker to make ice?

- The refrigerator and icemaker must be at the proper temperature. If just installed, the icemaker itself could take 24 hours to get cold enough to produce ice. The icemaker mold must reach 16 degrees F before a cycle will begin.

Warning

This content is compiled from multiple sources and is provided for reference purposes only. It may not be complete or fully applicable to all situations. If you are unable to resolve your issue, please contact the product manufacturer or an authorized service provider for official support.

Document generated by [ManualsFile](#)

