

INSTALLATION INSTRUCTION

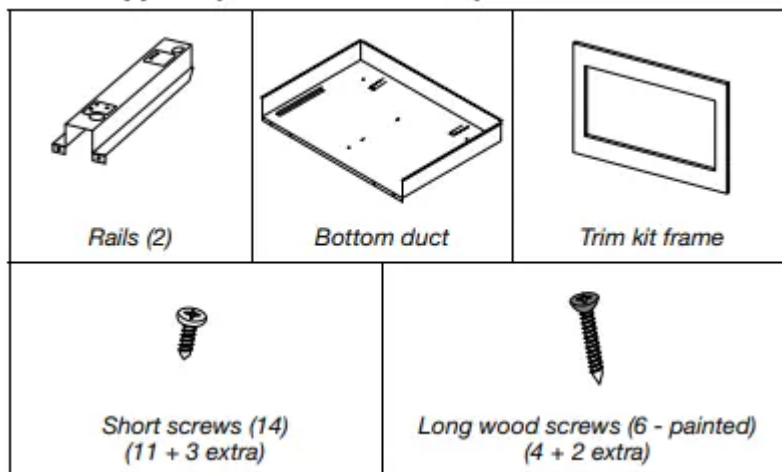
Tools and Parts

Tools Needed

Gather the required tools and parts before starting installation. Read and follow the instructions provided with any tools listed here

- Measuring tape
- Pencil
- Phillips screwdriver
- Drill
- 7/64" drill bit

Parts Supplied (not shown to scale)

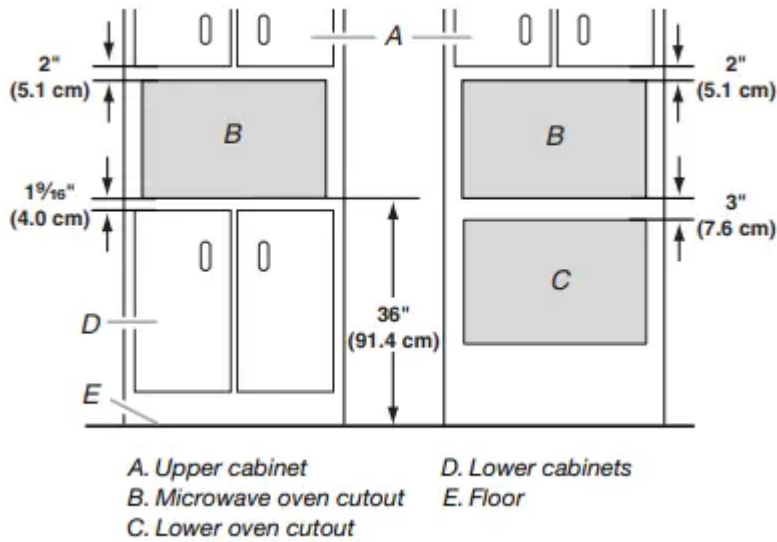


Location Requirements

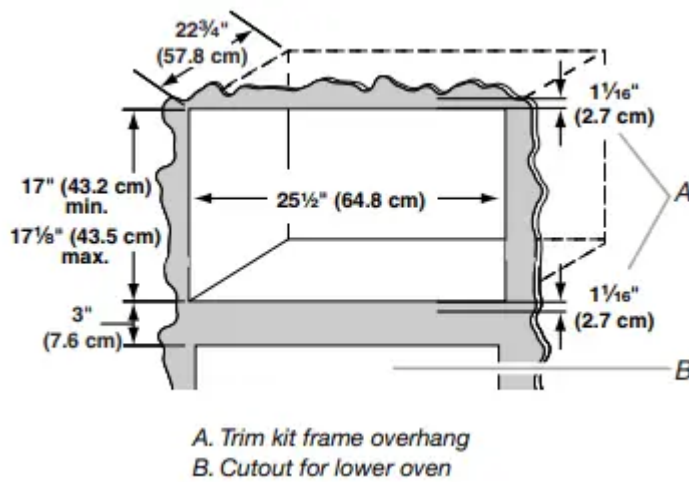
The microwave oven may be installed over a built-in oven. If installing over a built-in oven, make sure there is a minimum of 3" (7.6 cm) between the top of the lower oven cutout and the microwave oven cutout floor.

The microwave oven may also be installed in a cabinet by itself (without a built-in oven below). For best usability, we recommend a minimum distance of 36" (91.4 cm) from the floor to the cutout floor.

Make sure the surrounding cabinetry has clearance to open and close freely. Allow a clearance of at least 1 $\frac{9}{16}$ " (4.0 cm) below the cutout floor (3" [7.6 cm] for installation above a built-in oven), and a clearance of at least 2" (5.1 cm) above the cutout opening.



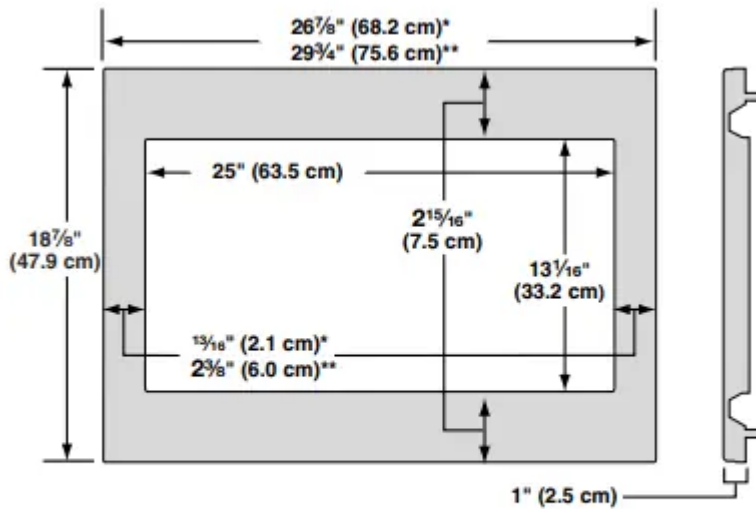
Required Cutout Dimensions



NOTES:

- Height dimension is critical: 17" (43.2 cm) minimum, 17¹/₈" (43.5 cm) maximum.
- Width and depth measurements have $\pm 1/16$ " (2 mm) tolerance.
- 3" (7.6 cm) minimum dimension is from lower oven cutout ceiling to microwave oven cutout floor.
- Trim kit frame extends 1¹/₁₆" (2.7 cm) above and below the cutout opening.

Trim Kit Frame Dimensions




*27" (68.6 cm) trim kit

**30" (76.2 cm) trim kit

Electrical Requirements

⚠ WARNING



Electrical Shock Hazard

Plug into a grounded 3 prong outlet.

Do not remove ground prong.

Do not use an adapter.

Do not use an extension cord.

Failure to follow these instructions can result in death, fire, or electrical shock.

Observe all governing codes and ordinances.

Required:

- A 120 volt, 60 Hz, AC only, 15- or 20-amp electrical supply with a fuse or circuit breaker.

Recommended:

- A time-delay fuse or time-delay circuit breaker.

- A separate circuit serving only this microwave oven.

GROUNDING INSTRUCTIONS

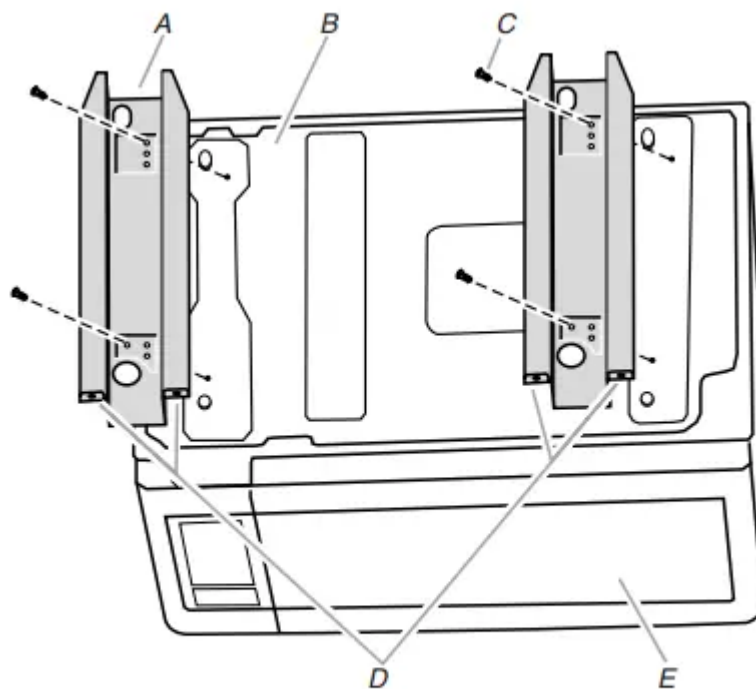
- **For all cord connected appliances:** The microwave oven must be grounded. In the event of an electrical short circuit, grounding reduces the risk of electric shock by providing an escape wire for the electric current. The microwave oven is equipped with a cord having a grounding wire with a grounding plug. The plug must be plugged into an outlet that is properly installed and grounded.

WARNING: Improper use of the grounding plug can result in a risk of electric shock. Consult a qualified electrician or serviceman if the grounding instructions are not completely understood, or if doubt exists as to whether the microwave oven is properly grounded.

Do not use an extension cord. If the power supply cord is too short, have a qualified electrician or serviceman install an outlet near the microwave oven.

Prepare Microwave Oven

1. Unplug microwave oven before proceeding with installation.
2. Remove any loose items inside microwave oven.
3. Gently turn microwave oven onto its top, with the door facing forward (toward installer).
4. Align the #33 holes on the microwave oven bottom with the #33 holes on the rails, as shown, making sure the flanges are forward and pointing up.



A. Rails (2)

B. Microwave oven bottom

C. Short screws (4)

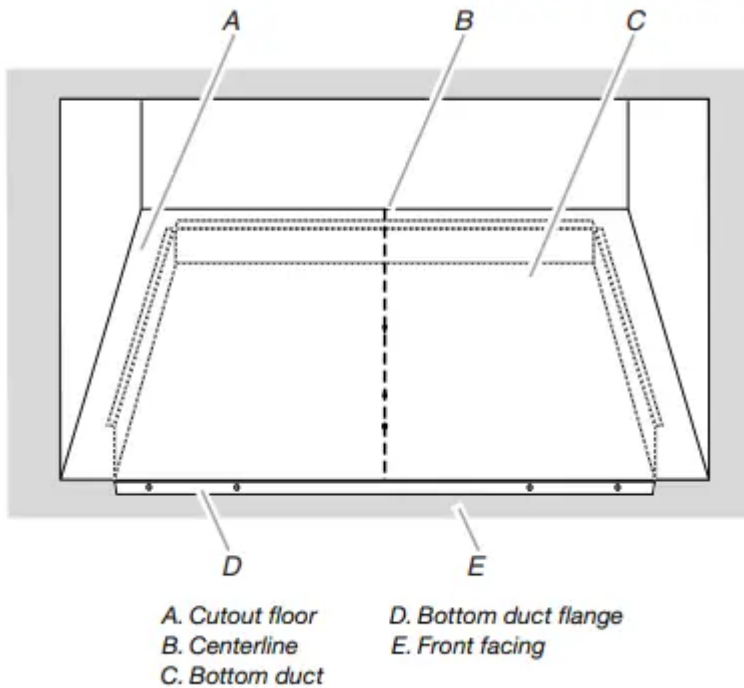
D. Flanges

E. Door

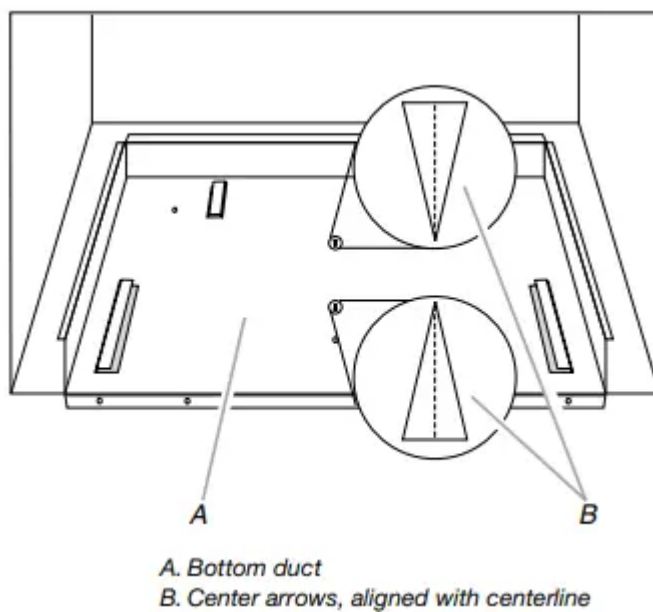
5. Secure the rails to the microwave oven bottom using four short screws through the #33 hole sets.

Prepare Cutout/Cabinet Opening

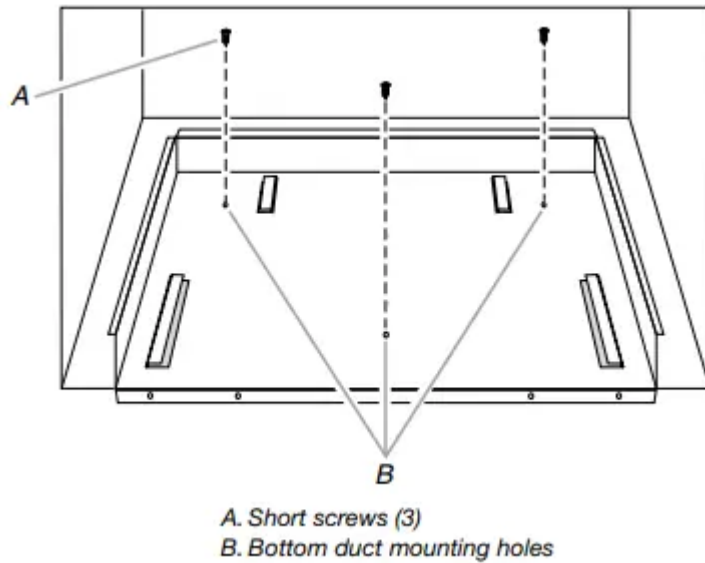
1. On the cutout floor, find and mark the centerline.
2. Place the bottom duct in the opening, with the flange resting against the bottom front facing of the opening.



3. Align the center arrows on the bottom duct with the centerline drawn in Step 1 above.



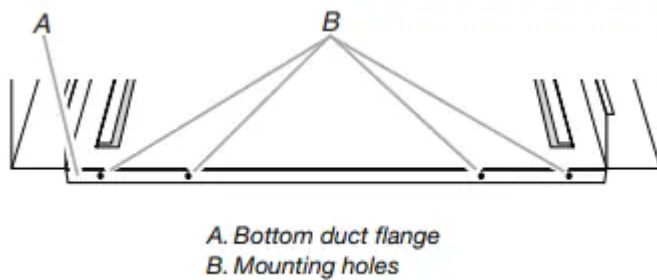
4. Mark the three mounting holes through the bottom duct onto the cutout floor.



5. Using 7/64" drill, drill pilot holes into the three holes marked in Step 4.

6. Realign and install the bottom duct with three short screws.


7. Using 7/64" drill, drill pilot holes through the four mounting holes of the bottom duct flange into the bottom front facing of the cutout/cabinet opening.



Install the Microwave Oven

1. Gently return microwave oven to its upright position.
2. Position microwave oven near cutout opening.

⚠ WARNING



Electrical Shock Hazard

Plug into a grounded 3 prong outlet.

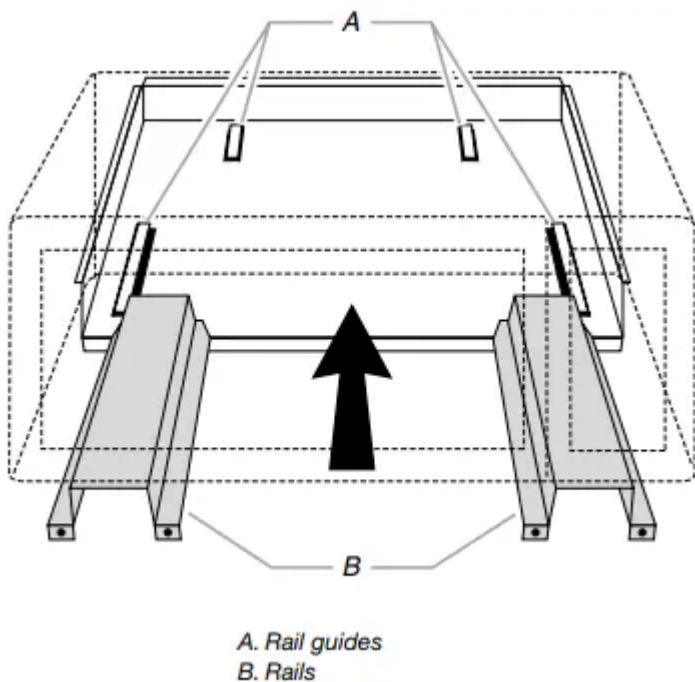
Do not remove ground prong.

Do not use an adapter.

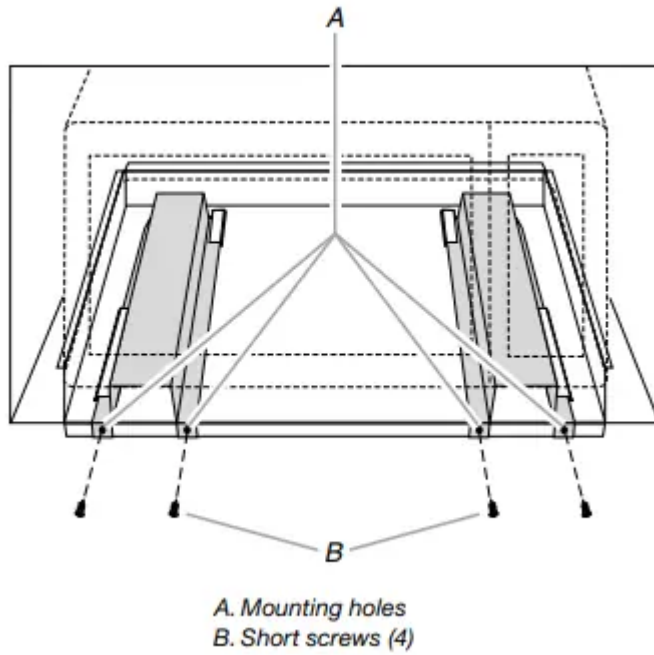
Do not use an extension cord.

Failure to follow these instructions can result in death, fire, or electrical shock.

3. Plug in microwave oven.
4. Align the rails with the rail guides on the bottom duct.

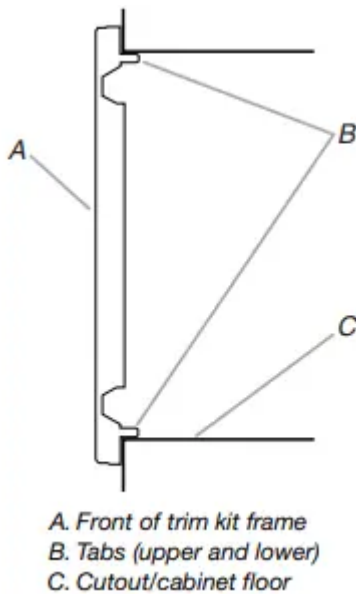


5. Slide the microwave oven back and into place. The mounting holes of the rail flanges and bottom duct flange will align against the bottom front facing of the cutout/cabinet opening.
6. Secure the microwave oven to the cutout/cabinet by installing four short screws into the mounting holes.



Install Trim Kit Frame

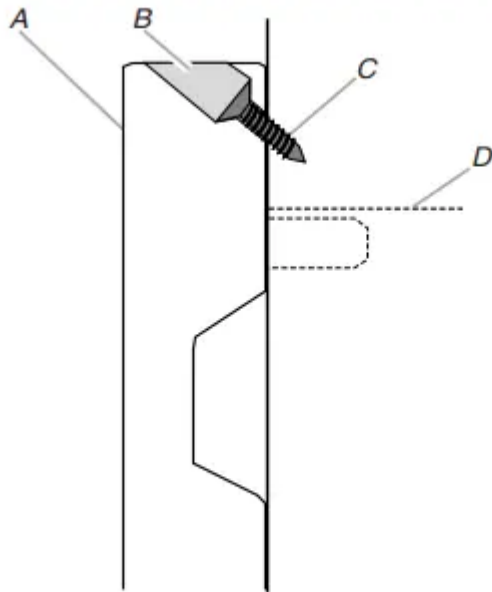
1. Position trim kit frame over the opening so that the lower tabs rest on the cutout floor, as shown.



2. Holding the trim kit frame in place, use 7/64" drill to drill four pilot holes into the front facing of the cutout/cabinet through the mounting hole guides in the upper and lower corners of the trim kit frame.

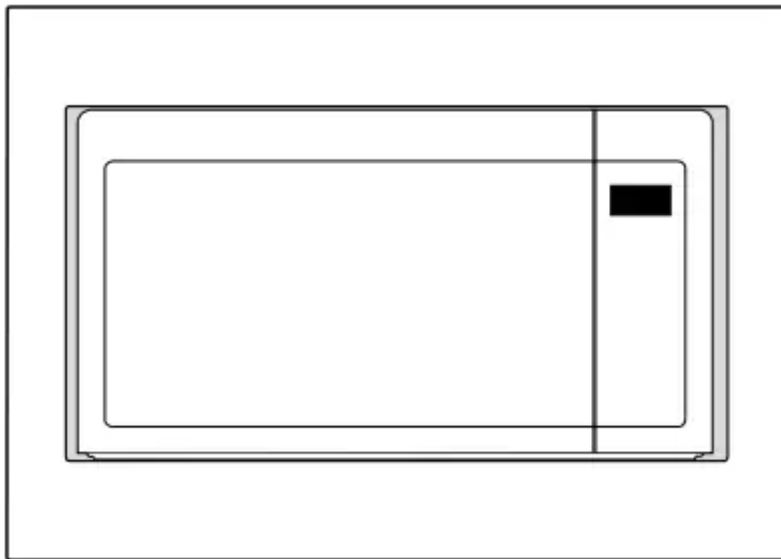
NOTES:

- The holes will be drilled downward from the top, and upward from the bottom at an angle of about 45°.
- To avoid damage to the trim kit frame, do not overtighten screws.



A. Trim kit frame
 B. Mounting hole guide
 C. Long wood screw (4 - painted)
 D. Cutout ceiling

3. Secure trim kit frame to cutout/cabinet by installing four long wood screws (painted) into the pilot holes drilled in Step 2 above.



Installation is now complete. Replace any loose items that have been removed from microwave oven cavity. Save these Installation Instructions for future reference

Warning

This content is compiled from multiple sources and is provided for reference purposes only. It may not be complete or fully applicable to all situations. If you are unable to resolve your issue, please contact the product manufacturer or an authorized service provider for official support.



