

## User Manual Refrigerator

# INSTALLATION INSTRUCTIONS

### Water Supply Requirements

Read all directions before you begin.

Gather the required tools and parts before starting installation. Read and follow the instructions provided with any tools listed here.

Tools Needed: flat-blade screwdriver,  $\frac{7}{16}$ " and  $\frac{1}{2}$ " open-end wrenches or 2 adjustable wrenches,  $\frac{1}{4}$ " nut driver and drill bit, cordless drill.

#### **IMPORTANT:**

- If you turn on the refrigerator before the water line is connected, turn OFF the ice maker
- All installations must meet local plumbing code requirements.
- Use copper tubing and check for leaks. Install copper tubing only in areas where the household temperatures will remain above freezing.

**NOTE:** Your refrigerator dealer has a kit available with a  $\frac{1}{4}$ " (6.35 mm) saddle-type shut-off valve, a union, and copper tubing. Before purchasing, make sure a saddle-type valve complies with your local plumbing codes. Do not use a piercing-type or  $\frac{3}{16}$ " (4.76 mm) saddle valve which reduces water flow and clogs more easily.

#### **Water Pressure**

**IMPORTANT:** A cold water supply with water pressure between 30 and 120 psi (207 and 827 kPa) is required to operate the ice maker.

**NOTE:** If the water pressure is less than what is required, ice cubes could be hollow or irregular shaped. If you have questions about your water pressure, call a licensed, qualified plumber.

#### **Reverse Osmosis Water Supply**

If a reverse osmosis water filtration system is connected to your cold water supply, the water pressure to the reverse osmosis system needs to be a minimum of 40 to 60 psi (276 to 414 kPa).

- Check to see whether the sediment filter in the reverse osmosis system is blocked. Replace the filter if necessary.
- Allow the storage tank on the reverse osmosis system to refill after heavy usage.

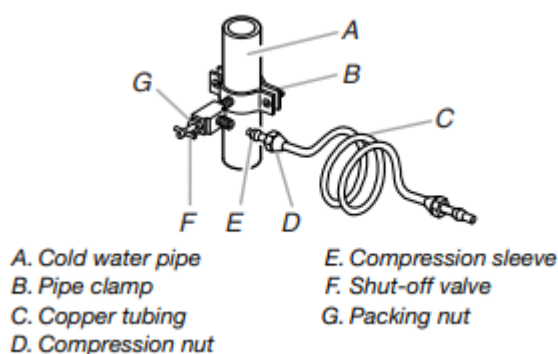
## Connect the Water Supply

### Connect to Water Line

1. Unplug refrigerator or disconnect power.
2. Turn off main water supply. Turn on nearest faucet long enough to clear line of water.
3. Locate a ½" to 1¼" (1.25 cm to 3.18 cm) vertical cold water pipe near the refrigerator.

### IMPORTANT:

- Make sure it is a cold water pipe.
  - Horizontal pipe will work, but the following procedure must be followed: Drill on the top side of the pipe, not the bottom. This will help keep water away from the drill. This also keeps normal sediment from collecting in the valve.
4. Determine the length of copper tubing you need. Measure from the connection on the lower right rear of the refrigerator to the water pipe. Add 7 ft (2.1 m) to allow for cleaning. Use ¼" (6.35 mm) O.D. (outside diameter) copper tubing. Be sure both ends of copper tubing are cut square.
  5. Using a cordless drill, drill a ¼" hole in the cold water pipe you have selected

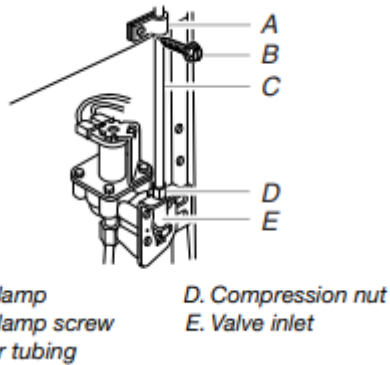


6. Fasten the shut-off valve to the cold water pipe with the pipe clamp. Be sure the outlet end is solidly in the ¼" drilled hole in the water pipe and that the washer is under the pipe clamp. Tighten the packing nut. Tighten the pipe clamp screws slowly and evenly so the washer makes a watertight seal. Do not overtighten or you may crush the copper tubing.
7. Slip the compression sleeve and compression nut on the copper tubing, as shown. Insert the end of the tubing into the outlet end squarely as far as it will go. Screw compression nut onto outlet end with adjustable wrench. Do not overtighten.
8. Place the free end of the tubing in a container or sink, and turn on the main water supply. Flush the tubing until water is clear. Turn off the shut-off valve on the water pipe. Coil the copper tubing.

### Connect to Refrigerator

1. Unplug refrigerator or disconnect power.

2. Attach the copper tubing to the valve inlet using a compression nut and sleeve, as shown. Tighten the compression nut. Do not overtighten.
3. Use the tube clamp on the back of the refrigerator to secure the tubing to the refrigerator, as shown. This will help avoid damage to the tubing when the refrigerator is pushed back against the wall.
4. Turn shut-off valve on.
5. Check for leaks. Tighten any connections (including connections at the valve) or nuts that leak.



6. The ice maker is equipped with a built-in water strainer. If your water conditions require a second water strainer, install it in the ¼" (6.35 mm) water line at either tube connection. Obtain a water strainer from your nearest appliance dealer

### Complete the Installation

1. Plug into a grounded 3 prong outlet.

**NOTE:** Allow 24 hours to produce the first batch of ice. Discard the first three batches of ice produced. Allow 3 days to completely fill the ice container.

## Refrigerator Doors

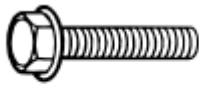
Depending on the width of your doorway, you may need to remove the doors to move the refrigerator into your home. Also, the door hinges are factory installed on the right-hand side. If you want the door to open from the other direction, you must reverse the door swing.

### IMPORTANT:

- Before you begin, turn off the refrigerator control, unplug refrigerator or disconnect power. Remove food and any adjustable door or utility bins from doors.
- Depending on your model, your refrigerator has either Style 1–Contour Doors or Style 2–Standard Doors. Reference the graphic specific to your model later in this section following “Final Steps.” NOTE: A Reversibility Kit, which includes a new Brand Badge and hole covers, is available.

Tools Needed:  $\frac{5}{16}$ " hex-head socket wrench, #2 Phillips screwdriver, flat-blade screwdriver,  $\frac{5}{16}$ " open-end wrench, flat 2" putty knife.

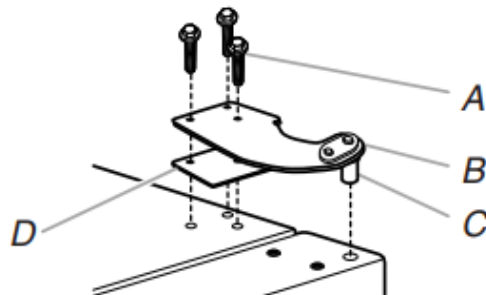
## Remove Doors and Hinges



*$\frac{5}{16}$ " Hex-Head Hinge Screw*

1. Unplug refrigerator or disconnect power.
2. Using a hex-head socket wrench, remove the three  $\frac{5}{16}$ " hex-head hinge screws from the top hinge and lift up to remove the hinge. See Top Hinge graphic.

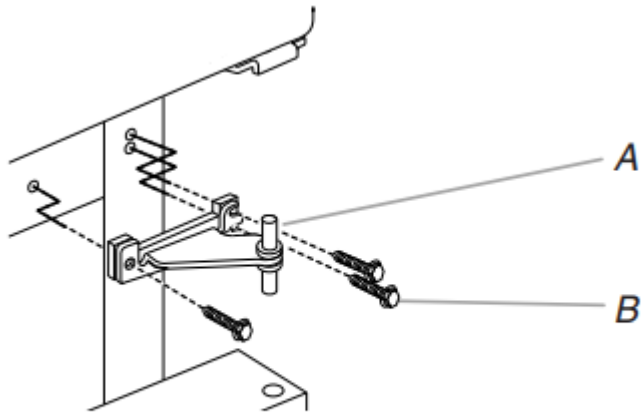
**NOTE:** Provide additional support for the refrigerator door while the hinges are being removed. Do not depend on the door gasket magnets to hold the door in place while you are working.



*A.  $\frac{5}{16}$ " hex-head hinge screws  
B. Top hinge*

*C. Hinge pin  
D. Spacer*

3. Lift the freezer door off of the center hinge and set it aside.
4. Remove the washer from the top of the center hinge pin.
5. Using a hex-head socket wrench and an open-end wrench, remove the three screws from the center hinge and remove the hinge. Set aside.

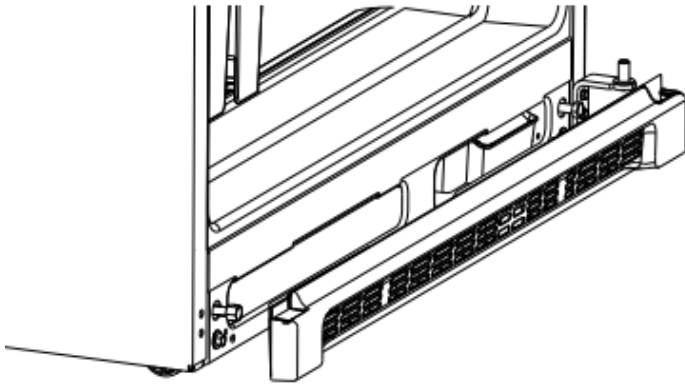


*A. Center hinge*

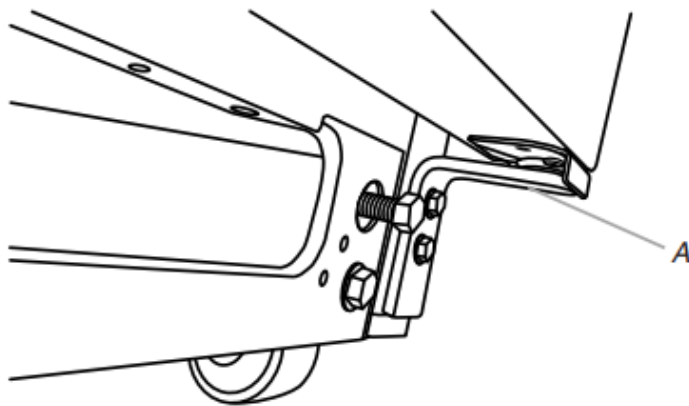
*B. 5/16" hex-head hinge screws*

6. Lift the refrigerator door off of the bottom hinge and set it aside.

7. Open refrigerator door and remove base grille from the bottom front of the refrigerator.



8. Using a hex-head socket wrench, remove the two 5/16" hex-head hinge screws attaching the bottom hinge to the cabinet and remove the hinge from the bottom of the refrigerator door.



*A. Bottom hinge*

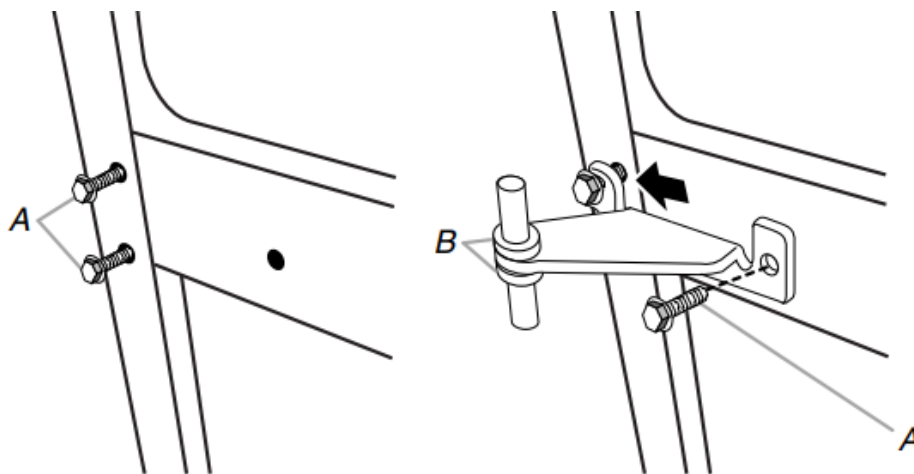
**Reverse Doors (optional)**

See complete graphics later in these instructions.

### Reverse Center Hinge

1. Remove the three dome caps and screws from the handle side; use them to fill the holes created when the hinge screws were removed.
2. Using the three  $\frac{5}{16}$ " hex-head hinge screws removed in Step 1, insert two screws halfway into the holes, leaving space to insert the center hinge.
3. Slide the center hinge (from the right) onto the screws, insert the third screw, and then tighten all screws completely.

**NOTE:** Make sure the washers are in place on both the top and bottom pins of the center hinge.



A.  $\frac{5}{16}$ " hex-head hinge screws  
B. Washers

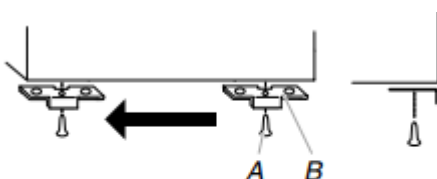
### Reverse Freezer Door

1. Remove the three cabinet hole plugs from the top of the cabinet and place them in the hinge holes on the opposite side.



A. Cabinet hole plugs

2. Remove the door stop from the bottom of the freezer door.



A. Door stop screw  
B. Door stop

3. Move the door stop to the opposite side, making sure that the hole in the door stop plate is aligned perfectly with the hole for the center hinge pin.
4. Using the screw removed in Step 2, fasten the door stop to the bottom of the freezer door.

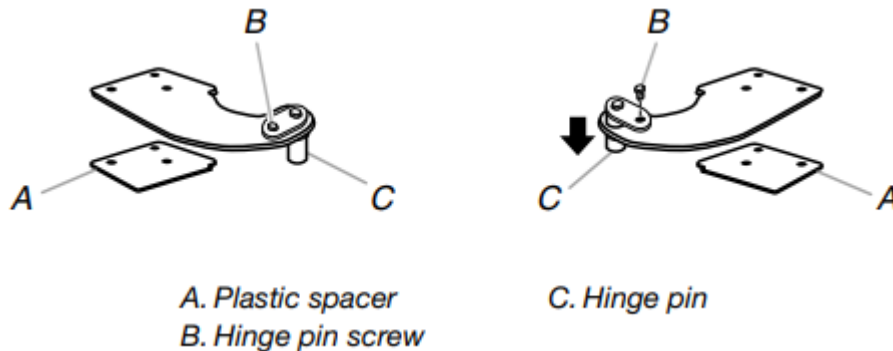
### Reverse Refrigerator Door

1. Remove door hinge hole plug from refrigerator door. Move to opposite side hinge hole.
2. Remove the door stop from the bottom of the refrigerator door.
3. Replace the door stop on the opposite side of the refrigerator door, making sure that the hole in the door stop plate is aligned perfectly with the hole for the bottom hinge pin.
4. Using the screw removed in Step 6, fasten the door stop to the bottom of the refrigerator door

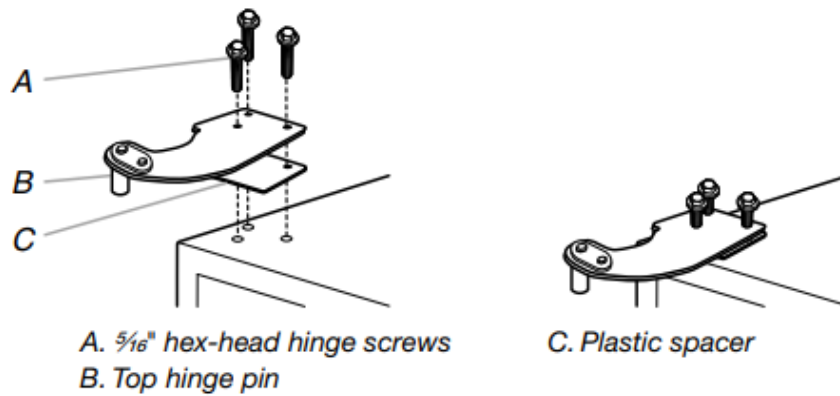
### Replace Doors and Hinges

#### Reverse Top Hinge

1. Remove the screw attaching the hinge pin to the hinge. Turn the hinge over so that it is pointing in the opposite direction.
2. Place the plastic spacer beneath the hinge so that it will be between the hinge and the cabinet, making sure the holes are aligned.



3. Fasten the top hinge to the opposite side of the cabinet, inserting the screws only halfway, so you will be able to replace and align the freezer door later.

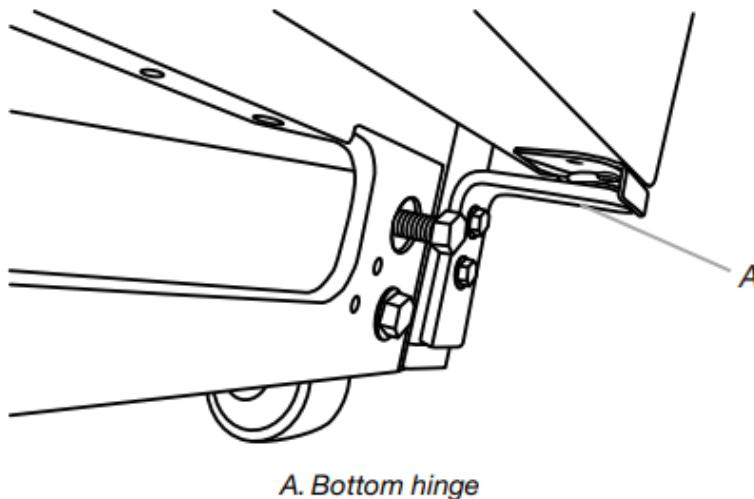


### Install Refrigerator Door

1. Replace the parts for the bottom hinge as shown. Tighten screws.

**NOTE:** Provide additional support for the doors while the hinges are being moved. Do not depend on the door magnets to hold the doors in place while you are working.

2. Lower the bottom of the refrigerator door onto the bottom hinge pin.



3. Measure the distance from the bottom of the refrigerator door to the floor. The distance should be approximately 3½" (88 mm).

**NOTE:** If necessary, loosen the bottom hinge without removing the screws, adjust the door to the correct height, and then fully tighten the screws.

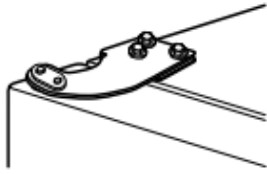
4. Assemble the parts for the center hinge as previously shown and tighten all screws. See Center Hinge graphic.

### Install Freezer Door

1. Place washer on the upper hinge pin of the center hinge.

2. Place the freezer door on the upper hinge pin of the center hinge.

3. Insert the top hinge pin into the drilled hole in the top of the freezer door. Do not tighten the screws completely.

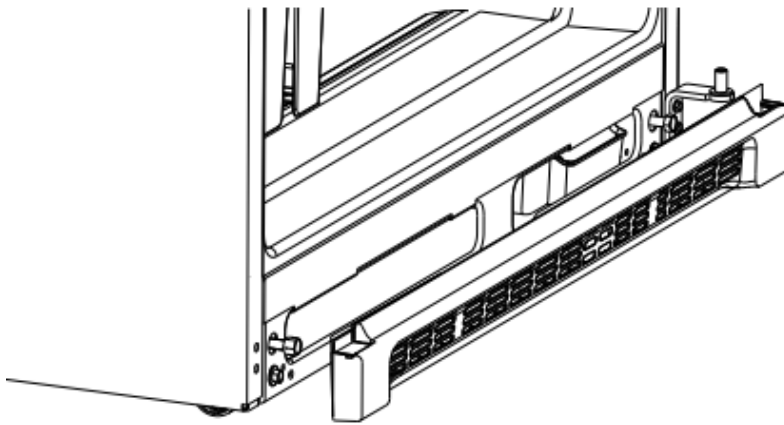


4. Align the doors so that the bottom of the freezer door aligns evenly with the top of the refrigerator door. Tighten all screws.

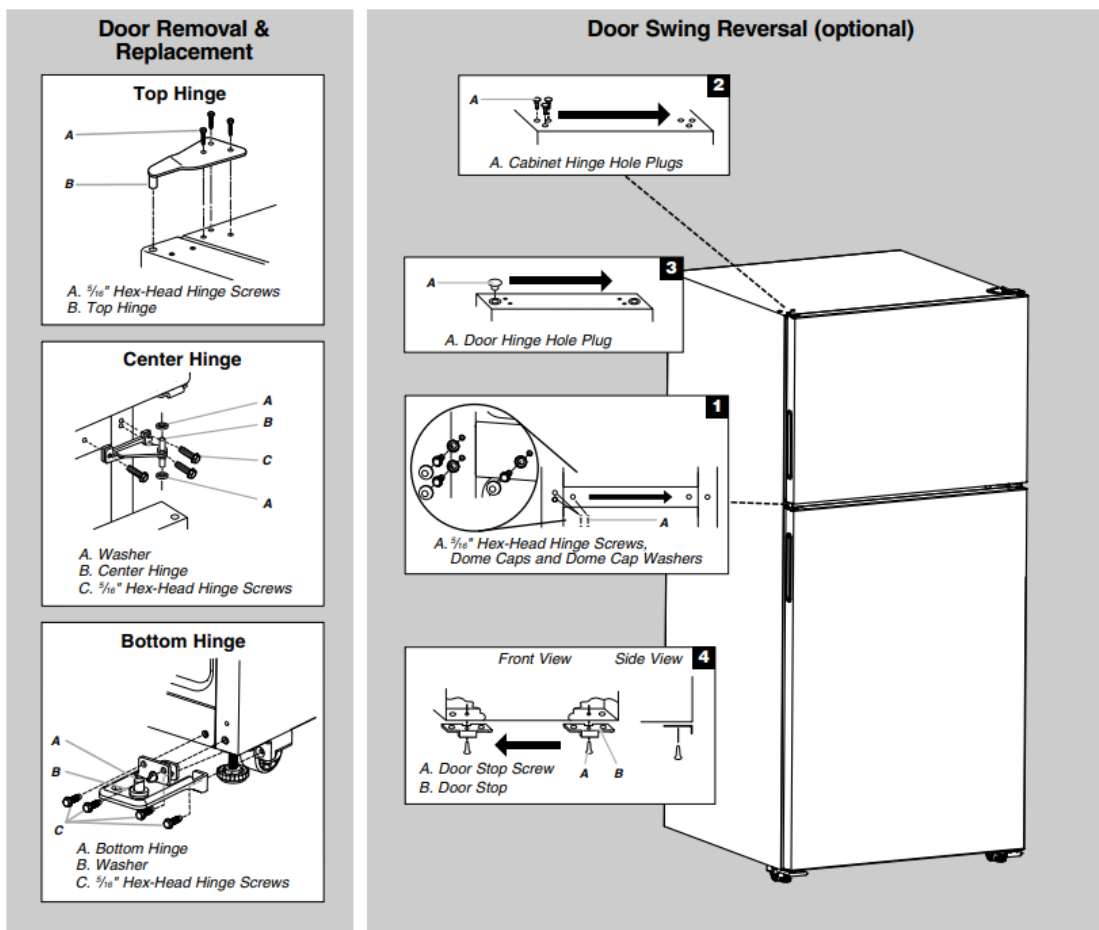
**NOTE:** The distance between the doors should be approximately  $\frac{5}{8}$ " (16 mm).

### Final Steps

1. Remove the cover from the base grille. Move cover to the opposite side.
2. Push the base grille toward the cabinet until it is flush.



3. Plug in the refrigerator or reconnect the power.
4. Reset the controls. See "Using the Controls."
5. Return all removable door parts to doors and food to refrigerator.



## Reversibility Kit Instructions

If your model came with a Reversibility Kit, please use the Brand Badge Placement template and the following instructions to install the Brand Badge on the opposite side of the freezer door.

### Parts Included:

- Brand badge removal tool
- Brand badge template
- Door handle hole plug

### Tools Needed:

- Scissors
- Masking tape

### Freezer Door

1. Using the removal tool (provided), remove the brand badge from the freezer door by lifting up the right-hand side and peeling the badge away from the door from right to left.

**NOTE:** To avoid scratching the door, do not use a sharp or metallic object to pry the brand badge from the door.

2. Rub a small amount of liquid dish soap over any adhesive residue with your fingers. Rinse the door with warm water and dry with a soft cloth.
  3. Cut the template along the dotted lines that match the shape of the brand badge.
  4. Align the edges of the template with the side and top of the freezer door, and then tape the template to the door.
- NOTE:** When the template is correctly aligned, the hole in the door, where the handle was, will be within the cutout of the template, as shown.
5. Using the cutout as a guide, press the brand badge onto the freezer door making sure that the hole is completely covered.
  6. Slowly remove the template.

## Adjust the Doors

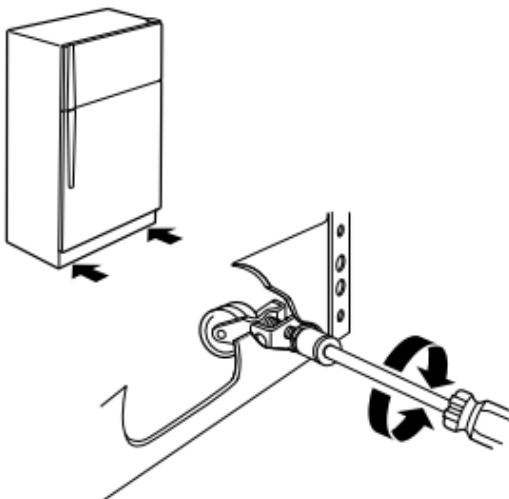
**IMPORTANT:** Your refrigerator complies with American Disabilities Act (ADA) guidelines.

### Door Closing

Your refrigerator has two front adjustable levelers - one on the right and one on the left. If your refrigerator seems unsteady or you want the doors to close easier, adjust the refrigerator's tilt using the following instructions:

1. Remove the base grille. See the Base Grille graphic in "Refrigerator Doors." The two leveling screws are part of the front roller assemblies which are at the base of the refrigerator on either side.
2. Use a socket driver to adjust the leveling screws. Turn the leveling screw to the right to raise that side of the refrigerator or turn the leveling screw to the left to lower that side. It may take several turns of the leveling screws to adjust the tilt of the refrigerator.

**NOTE:** Having someone push against the top of the refrigerator takes some weight off the leveling screws and rollers which makes it easier to adjust.



3. Open both doors again to make sure they close as easily as you like and that they stay closed. If not, tilt the refrigerator slightly more to the rear by turning both leveling screws to the right. It may take several more turns.

**NOTE:** To keep the refrigerator level, you should turn both leveling screws the same amount.

4. Replace the base grille

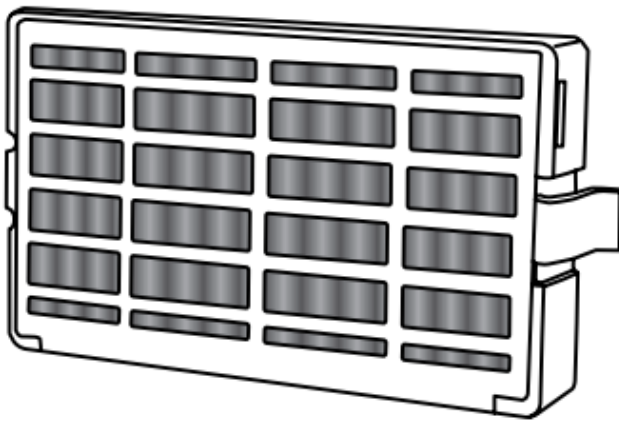
### Door Aligning

If the space between your doors looks uneven, you can adjust it using the following instructions:

1. Depending on your model, remove the top hinge cover. Loosen the top hinge screws using a  $\frac{5}{16}$ " socket or wrench.
2. Have someone hold the door in place or put a spacer between the doors while you tighten the top hinge screws.
3. Replace the top hinge cover, if removed in Step 1.

### Install Air Filter

On some models, your refrigerator's accessory packet includes an air filter, which must be installed prior to use. On some models, the air filter is already installed at the factory.



The air filter reduces the buildup of odors. This helps to maintain a cleaner environment inside the refrigerator.

### Installing the Air Filter

The filter should be installed behind the vented door which is located (depending on your model) along either the rear or left interior wall near the top of the refrigerator compartment.

1. Remove the air filter from its packaging.
2. Lift open the vented door.
3. Snap the filter into place.

## Replacing the Air Filter

The disposable air filter should be replaced every 6 months.

To order a replacement air filter, contact us using the assistance/service information following the warranty.

1. Remove the old air filter by squeezing in on the side tabs
2. Remove the old status indicator.
3. Install the new air filter and reset the status indicator using the instructions in the previous sections.

## REFRIGERATOR USE

### Using the Controls

Your refrigerator has two controls that affect the temperature. The Temperature control is located at the top front of the refrigerator compartment and the Airflow control is located on the back wall of the freezer compartment.

#### **IMPORTANT:**

- The recommended setting should be correct for normal household refrigerator use. The controls are set correctly when milk or juice is as cold as you like and when ice cream is firm.
- Wait 24 hours for your refrigerator to cool completely before adding food. If you add food before the refrigerator has cooled completely, your food may spoil.

**NOTE:** Adjusting the refrigerator and freezer temperature controls to a colder than recommended setting will not cool the compartments any faster.

- If the temperature is too warm or too cold in the refrigerator or freezer, first check the air vents to be sure they are not blocked before adjusting the controls.

#### **Temperature Control**

For your convenience, the temperature control is preset at the factory. When you first install your refrigerator, make sure the control is still preset as shown

## Recommended Setting



### Cooling Off/On

- To turn cooling off, press and hold TEMP SETTING for 4 seconds until all lights turn on for 1 second. To turn cooling back on, press and hold TEMP SETTING again for 4 seconds.

**NOTE:** Neither compartment will cool when the control is set to OFF.

### Adjusting the Temperature Control

If you need to adjust the temperature in either the refrigerator or freezer compartment, use the settings listed in the following chart as a guide.

**NOTE:** Except when starting the refrigerator, do not adjust the control more than one setting at a time. Wait 24 hours between adjustments for the temperature to stabilize.

- Press TEMP SETTING to toggle between the four LED lights which indicate the temperature setting. Reading from left to right, the LED in the first position is the least cold. The LEDs indicate increasingly colder settings as you continue to the right until all four LEDs are illuminated.

**NOTE:** For the first to fourth setting, only one LED of the four LEDs will be lit. All four LEDs will be lit when you have reached the coldest setting.

CONDITION/REASON:	ADJUSTMENT:
REFRIGERATOR too warm	Temp control one setting higher
FREEZER too warm/ too little ice	Airflow or Temp control one setting higher
REFRIGERATOR too cold	Temp control one setting lower
FREEZER too cold	Airflow or Temp control one setting lower

### Additional Feature

#### PowerCold™ Feature

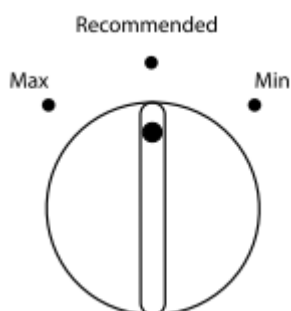
The PowerCold™ feature sets the freezer and refrigerator to the lowest temperature settings to assist with periods of high refrigerator use, full grocery loads, or temporarily warm room temperatures.

- To turn on the PowerCold™ feature, press TEMP SETTING continually until all the LED lights are blinking ON/OFF progressively from left to right. Press TEMP SETTING again to return to the COLD set point.

NOTE: Depending on the environment conditions, the PowerCold™ feature will remain activated up to 24 hours. When the feature turns off, the temperature will return to the recommended set point.

#### Airflow Control

The Airflow control regulates the amount of air flowing between the freezer and the refrigerator compartments. When you plug in the refrigerator for the first time, turn the Airflow control to the Recommended setting.



## Adjusting the Airflow Control

If you want to temporarily increase the cold airflow to a specific compartment, adjust the control.

- Max - Increase airflow to the freezer.
- Min - Increase airflow to the refrigerator.

**IMPORTANT:** Once the performance is achieved, return the Airflow control to the Recommended setting to keep the refrigerator operating at optimum efficiency

CONDITION/REASON:	ADJUSTMENT:
Heavy ice use	Max
Hot room temperature	Max - to maintain ice making production rate
Large quantity of groceries	Min - to quickly chill food and beverages

## Ice Maker (on some models)

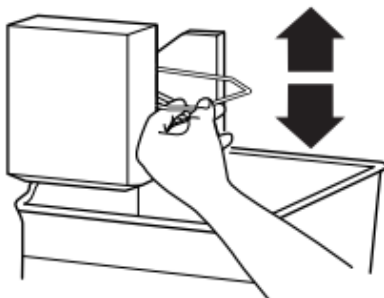
### Turning the Ice Maker On/Off

**NOTE:** Do not force the wire shut-off arm up or down.

- To turn on the ice maker, simply lower the wire shut-off arm.

**NOTE:** Your ice maker has an automatic shutoff. As ice is made, the ice cubes will fill the ice storage bin and the ice cubes will raise the wire shut-off arm to the Off (arm up) position.

- To manually turn off the ice maker, lift the wire shut-off arm to the Off (arm up) position and listen for the click to make sure the ice maker will not continue to operate.



**NOTE:** Turn off the ice maker before removing the ice storage bin to serve ice or to clean the bin. This will keep the ice cubes from dropping out of the ice maker and into the freezer compartment. After replacing the ice storage bin, turn on the ice maker.

### Ice Production Rate

- **NORMAL Ice Production:** The ice maker should produce approximately 8 to 12 batches of ice in a 24-hour period. If ice is not being made fast enough, turn the Freezer control toward a higher (colder) number in half number steps. (For example, if the control is at 3, move it to between 3 and 4.) Wait 24 hours and, if necessary, gradually turn the Freezer control to the highest setting, waiting 24 hours between each increase.
- **MAXIMUM Ice Production (on some models):** The ice maker should produce approximately 16 to 20 batches of ice in a 24-hour period. If your refrigerator has the maximum ice production feature, push the switch to MAX.

### Remember

- Allow 24 hours to produce the first batch of ice. Allow 3 days to completely fill the ice storage bin. Discard the first three batches of ice produced.
- The quality of your ice will be only as good as the quality of the water supplied to your ice maker. Avoid connecting the ice maker to a softened water supply. Water softener chemicals (such as salt) can damage parts of the ice maker and lead to poor quality ice. If a softened water supply cannot be avoided, make sure the water softener is operating properly and is well maintained.
- Do not store anything on top of the ice maker or in the ice storage bin.

## REFRIGERATOR FEATURES

Your model may have some or all of these features.

Important information to know about glass shelves and covers: Do not clean glass shelves or covers with warm water when they are cold. Shelves and covers may break if exposed to sudden temperature changes or impact, such as bumping. Tempered glass is designed to shatter into many small, pebble-size pieces. This is normal. Glass shelves and covers are heavy. Use both hands when removing them to avoid dropping.

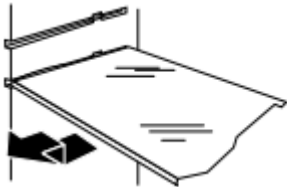
### Refrigerator Shelves

The shelves in your refrigerator are adjustable to match your individual storage needs.

Storing similar food items together in your refrigerator and adjusting the shelves to fit different heights of items will make finding the exact item you want easier. It will also reduce the amount of time the refrigerator door is open, and save energy.

**To remove and replace a shelf:**

1. Remove items from the shelf.
2. Slide the shelf straight out to the stop.
3. Depending on your model, lift back or front of the shelf past the stop. Slide shelf out the rest of the way.
4. Replace the shelf by sliding the back of the shelf into the track in the wall of the cabinet.
5. Guide the front of the shelf into the shelf track. Be sure to slide the shelf in all the way.



## Deli Drawer

### To remove and replace the deli drawer:

1. Slide deli drawer out to the stop.
2. Lift front of deli drawer with one hand while supporting bottom of drawer with other hand. Slide drawer out the rest of the way.
3. Replace the drawer by sliding it back in fully past the drawer stop.

### Meat Storage Guide

Store most meat in original wrapping as long as it is airtight and moisture-proof. Rewrap if necessary. See the following chart for storage times. When storing meat longer than the times given, freeze the meat.

Fresh fish or shellfish..... Use same day as purchased

Chicken, ground beef, variety meats (liver) .....1-2 days

Cold cuts, steaks/roasts .....3-5 days

Cured meats.....7-10 days

Leftovers - Cover leftovers with plastic wrap, aluminum foil, or plastic containers with tight lids.

## Crisper

### Crisper Drawers

#### To remove and replace the crisper drawer:

1. Slide the crisper drawer straight out to the stop. Lift the front and slide the drawer out the rest of the way.

2. Replace the drawer by sliding the drawer in fully past the stop.

### **Crisper Cover**

#### **To remove and replace the crisper cover:**

1. Remove the crisper(s).
2. Pull the glass straight out.
3. Replace the glass by pushing it straight in.

### **Crisper Humidity Control**

You can control the amount of humidity in the moisture-sealed crisper. Adjust the control to LOW or HIGH. LOW (open) lets moist air out of the crisper for best storage of fruits and vegetables with skins.

- Fruit: Wash, let dry and store in refrigerator in plastic bag or crisper. Do not wash or hull berries until they are ready to use. Sort and keep berries in original container in crisper or store in a loosely closed paper bag on a refrigerator shelf.
- Vegetables with skins: Place in plastic bag or plastic container and store in crisper.

HIGH (closed) keeps moist air in the crisper for best storage of fresh, leafy vegetables.

- Leafy vegetables: Wash in cold water, drain, and trim or tear off bruised and discolored areas. Place in plastic bag or plastic container and store in crisper.

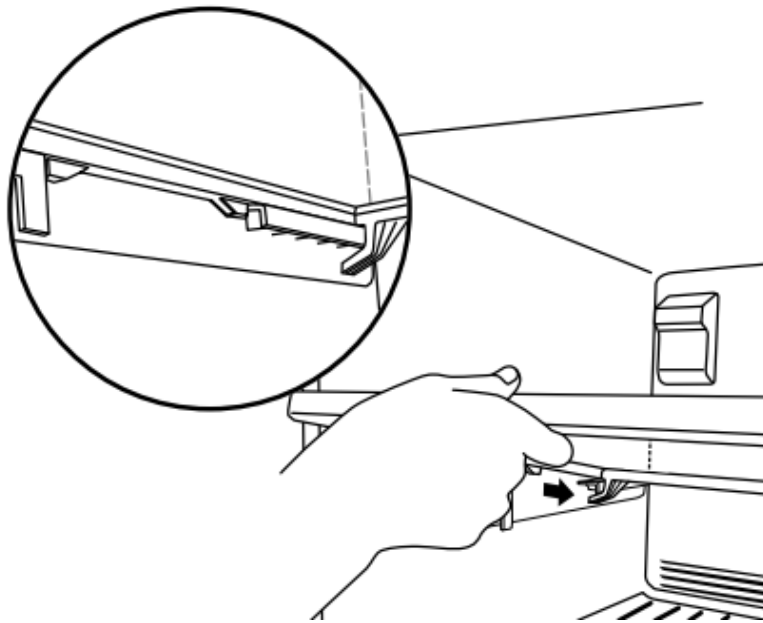
## **FREEZER FEATURES**

Your model may have some or all of these features.

### **Glass Freezer Shelf**

#### **To remove and replace a glass shelf:**

1. Lift the front of the shelf to raise the shelf tabs up and out of the opening in each shelf track. Slide the shelf out the rest of the way.
2. Replace the shelf by tilting the back end downward to align the back shelf tab under the track on each side of the freezer. Gently push the shelf into the freezer until the two center shelf tabs are positioned within the opening in each track. Lower the shelf to rest on the shelf tracks.



### Frozen Food Storage Guide

Storage times will vary according to the quality and type of food, the type of packaging or wrap used (should be airtight and moisture-proof), and the storage temperature. Seal the package or container securely to avoid taste and odor transfer throughout the product. Ice crystals inside a sealed package are normal. This simply means that moisture in the food and air inside the package have condensed, creating ice crystals.

Put no more unfrozen food into the freezer than will freeze within 24 hours (no more than 2 to 3 lbs of food per cubic foot [907 to 1,350 g per L] of freezer space). Leave enough space in the freezer for air to circulate around packages. The freezer door must close tightly.

NOTE: For more information on preparing food for freezing, check a freezer guide or reliable cookbook.

## DOOR FEATURES

Your model may have some or all of these features.

### Door Rails

The door rails may be removed for easier cleaning.

#### To remove and replace the rails:

1. Depending on your model, remove the rails by pushing in slightly on the front of the bracket while pulling out on the inside tab. Repeat these steps for the other end.
2. Replace the rails by aligning the ends of the brackets with the buttons on the sides of the door liner. Firmly snap bracket and assembly onto the tabs above the shelf as shown.

## Door Bins

### To remove and replace the bins:

1. Remove the bin by lifting it and pulling it straight out.
2. Replace the bin by sliding it in above the desired support and pushing it down until it stops.

## Utility Compartment

The utility compartment may be removed for easier cleaning.

### To remove and replace the utility compartment:

1. Remove the utility compartment by squeezing against one side while raising the utility compartment up and pulling it straight out.
2. Replace the utility compartment by positioning one side in the lock and sliding in the opposite side until it stops.

## REFRIGERATOR CARE

### Cleaning

Both the refrigerator and freezer sections defrost automatically. However, clean both sections about once a month to avoid buildup of odors. Wipe up spills immediately.

#### IMPORTANT:

- Because air circulates between both sections, any odors formed in one section will transfer to the other. You must thoroughly clean both sections to eliminate odors. To avoid odor transfer and drying out of food, wrap or cover foods tightly.
- For stainless steel models, stainless steel is corrosion resistant and not corrosion-proof. To help avoid corrosion of your stainless steel, keep your surfaces clean by using the following cleaning instructions.

#### To Clean Your Refrigerator:

**NOTE:** Do not use abrasive or harsh cleaners such as window sprays, scouring cleansers, flammable fluids, muriatic acid, cleaning waxes, concentrated detergents, bleaches, or cleansers containing petroleum products on exterior surfaces (doors and cabinet), plastic parts, interior and door liners, or gaskets. Do not use paper towels, scouring pads, or other harsh cleaning tools.

1. Unplug refrigerator or disconnect power.
2. Hand wash, rinse, and dry removable parts and interior surfaces thoroughly. Use a clean sponge or soft cloth and a mild detergent in warm water.

3. Clean the exterior surfaces.

**Painted metal:** Wash painted metal exteriors with a clean, soft cloth or sponge and a mild detergent in warm water. Rinse surfaces with clean, warm water and dry immediately to avoid water spots.

**Stainless steel:** Wash stainless steel surfaces with a clean, soft cloth or sponge and a mild detergent in warm water. Rinse surfaces with clean, warm water and dry immediately to avoid water spots.

**NOTE:** When cleaning stainless steel, always wipe in the direction of the grain to avoid cross-grain scratching.

4. There is no need for routine condenser cleaning in normal home operating environments. If the environment is particularly greasy or dusty, or there is significant pet traffic in the home, the condenser should be cleaned every 2 to 3 months to ensure maximum efficiency.

If you need to clean the condenser:

- Remove the base grille.
- Use a vacuum cleaner with a soft brush to clean the grille, the open areas behind the grille and the front surface area of the condenser.
- Replace the base grille when finished.

5. Plug in refrigerator or reconnect power.

## Changing the Light Bulb

**IMPORTANT:** Depending on your model, the light bulb in the your new refrigerator may use LED technology. If your model uses LED lighting and the light does not illuminate when the refrigerator door is opened, call for assistance or service. See Warranty for phone numbers.

### Refrigerator Compartment Light

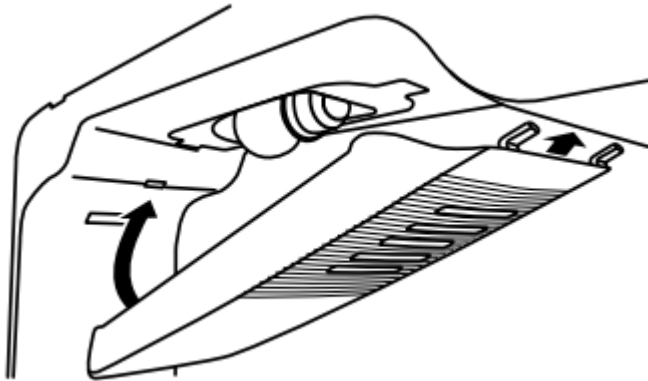
The refrigerator light bulb is located behind the control.

1. Unplug refrigerator or disconnect power.
2. Remove the light shield by squeezing in on the sides and pulling it straight down.
3. Remove the light bulb and replace it with an appliance bulb of the same size and shape.
  - To replace the bulb in the refrigerator compartment with an LED light bulb, order part number W10565137 (3.6 watts).

**NOTE:** Some LED replacement bulbs are not recommended for wet/damp environments. The refrigerator and freezer compartments are considered to be wet/damp environments. If using a brand of LED bulb other than the Whirlpool recommended LED bulb, before installation, read and follow all instructions on the LED packaging.

- If an incandescent bulb is used to replace an LED bulb, use only incandescent bulbs for household appliances with a maximum of 60 watts.

4. Replace the light shield.



5. Plug in refrigerator or reconnect power.

### Freezer Compartment Light

1. Unplug refrigerator or disconnect power.
2. Remove the light shield (on some models).
  - Top of the freezer compartment - Slide the light shield toward the back of the compartment to release it from the light assembly.
3. Remove the light bulb and replace it with an appliance bulb of the same size and shape.
  - To replace an LED light bulb in the freezer compartment, order part number W10574850 (2.0 watts).

**NOTE:** Some LED replacement bulbs are not recommended for wet/damp environments. The refrigerator and freezer compartments are considered to be wet/damp environments. If using a brand of LED bulb other than the recommended LED bulb, before installation, read and follow all instructions on the LED packaging.

- To replace an LED bulb with an incandescent bulb, use only incandescent bulbs for household appliances with a maximum of 25 watts.
4. Replace the light shield.
  5. Plug in refrigerator or reconnect power

## Vacation and Moving Care

### Vacations

#### If You Choose to Leave the Refrigerator On While You're Away:

1. Use up any perishables and freeze other items.

2. If your refrigerator has an automatic ice maker and is connected to the household water supply, turn off the water supply to the refrigerator. Property damage can occur if the water supply is not turned off.

3. If you have an automatic ice maker, turn off the ice maker.

NOTE: Raise the wire shut-off arm to Off (up) position.

4. Empty the ice bin.

**If You Choose to Turn Off the Refrigerator Before You Leave:**

1. Remove all food from the refrigerator.

2. If your refrigerator has an automatic ice maker:

- Turn off the water supply to the ice maker at least one day ahead of time.
- When the last load of ice drops, raise the wire shut-off arm to the Off (up) position.

3. Turn off the Temperature control(s). See “Using the Control(s).”

4. Clean refrigerator, wipe it, and dry well.

5. Tape rubber or wood blocks to the tops of both doors to prop them open far enough for air to get in. This stops odor and mold from building up.

**Moving**

When you are moving your refrigerator to a new home, follow these steps to prepare it for the move.

1. If your refrigerator has an automatic ice maker:

- Turn off the water supply to the ice maker at least one day ahead of time.
- Disconnect the water line from the back of the refrigerator.
- When the last load of ice drops, raise the wire shut-off arm to the Off (up) position.

2. Remove all food from the refrigerator and pack all frozen food in dry ice.

3. Empty the ice bin.

4. Turn off the Temperature control(s). See “Using the Control(s).”

5. Unplug refrigerator.

6. Clean, wipe, and dry thoroughly.

7. Take out all removable parts, wrap them well, and tape them together so they don't shift and rattle during the move.

8. Depending on the model, raise the front of the refrigerator so it rolls more easily OR raise the leveling screws so they don't scrape the floor. See “Adjust the Door(s)” or “Door Closing and Door Alignment.”



9. Tape the doors closed and tape the power cord to the back of the refrigerator.

When you get to your new home, put everything back and refer to the “Installation Instructions” section for preparation instructions. Also, if your refrigerator has an automatic ice maker, remember to reconnect the water supply to the refrigerator.

## TROUBLESHOOTING

### The refrigerator will not operate

- **Not connected to an electrical supply** - Plug the power cord into a grounded 3 prong outlet. Do not use an extension cord.
- **No power to the electrical outlet** - Plug in a lamp to see if the outlet is working.
- **Household fuse blown or circuit breaker tripped?** Replace the fuse or reset the circuit breaker. If the problem continues, call an electrician.
- **Control is not turned on** - Turn on the refrigerator control. See “Using the Controls” in the User Guide.
- **New installation?** Allow 24 hours following installation for the refrigerator to cool completely.

NOTE: Adjusting the temperature controls to coldest setting will not cool either compartment more quickly.

### The motor seems to run too much

- Your new refrigerator may run longer than your old one due to its high-efficiency compressor and fans. The unit may run even longer if the room is warm, a large food load is added, doors are opened often, or if the doors have been left open.

### The refrigerator is noisy

Refrigerator noise has been reduced over the years. Due to this reduction in operating noise, you may notice unfamiliar noises that are normal. Following are some normal sounds with an explanation:

- **Buzzing** - heard when the water valve opens to fill the ice maker
- **Pulsating** - fans/compressor adjusting to optimize performance
- **Hissing/Rattling** - flow of refrigerant, movement of water lines, or from items placed on top of the refrigerator
- **Sizzling/Gurgling** - water dripping on the heater during defrost cycle
- **Popping** - contraction/expansion of inside walls, especially during initial cool-down
- **Water running** - may be heard when ice melts during defrosting and water runs into the drain pan
- **Creaking/Cracking** - occurs as ice is being ejected from the ice maker mold

### **The doors will not close completely**

- **The door is blocked open** - Move food packages away from door. Push bin or shelf back into the correct position. Make sure the crisper cover is fully pushed in so that the back rests on the supports.

### **The doors are difficult to open**

- **Gaskets are dirty or sticky** - Clean gaskets and contact surfaces with mild soap and warm water. Rinse and dry with soft cloth.

### **Temperature is too warm**

- **New installation?** Allow 24 hours following installation for the refrigerator to cool completely.
- **Door(s) opened often or not closed completely** - Allows warm air to enter refrigerator. Minimize door openings and keep doors fully closed.
- **A large amount of warm food has been recently added** - Allow several hours for refrigerator to return to normal temperature
- **Controls set correctly for the surrounding conditions?** Adjust the controls a setting colder. Check temperature in 24 hours. See “Using the Controls.”

### **There is interior moisture buildup**

**NOTE:** Some moisture buildup is normal.

- **Humid room?** Contributes to moisture buildup.
- **Door(s) opened often or not closed completely** - Allows humid air to enter the refrigerator. Minimize door openings and keep door fully closed.

### **The ice maker is not producing ice or not enough ice**

- **The ice maker is not connected to a water supply** - Connect refrigerator to water supply and turn water shut-off valve fully open.
- **A kink in the line can reduce water flow** - Straighten the water source line.
- **Ice maker is not turned on** - Make sure the ice maker wire shut-off arm or switch (depending on model) is in the On position.
- **New installation** - Wait 24 hours following ice maker installation for ice production to begin. Wait 3 days for full ice production.
- **Large amount of ice recently removed** - Allow sufficient time for ice maker to produce more ice.
- **Ice cube jammed in the ice maker ejector arm** - Remove ice from the ejector arm with a plastic utensil.
- **A reverse osmosis water filtration system connected to your cold water supply can decrease water pressure** - See “Water Supply Requirements.”

## The ice cubes are hollow or small(on some models)

NOTE: This is an indication of low water pressure.

- **The water valve is not completely open** - Turn the water shut-off valve fully open.
- **A kink in the line can reduce water flow** - Straighten the water source line.
- **A reverse osmosis water filtration system connected to your cold water supply can decrease water pressure** - See “Water Supply Requirements.”
- If questions remain regarding water pressure, call a licensed, qualified plumber.

## Off-taste, odor, or gray color in the ice

- **New plumbing connections can cause discolored or off-flavored ice** - Discard the ice and wash the ice storage bin. Allow 24 hours for the ice maker to make new ice, and discard the first three batches of ice produced.
- **Ice stored too long can develop an off-taste** - Discard ice. Wash ice bin. Allow 24 hours for ice maker to make new ice.
- **Food odor transferring to ice** - Use airtight, moisture-proof packaging to store food.
- **There are minerals (such as sulfur) in the water** - A water filter may need to be installed to remove the minerals

### Warning

This content is compiled from multiple sources and is provided for reference purposes only. It may not be complete or fully applicable to all situations. If you are unable to resolve your issue, please contact the product manufacturer or an authorized service provider for official support.