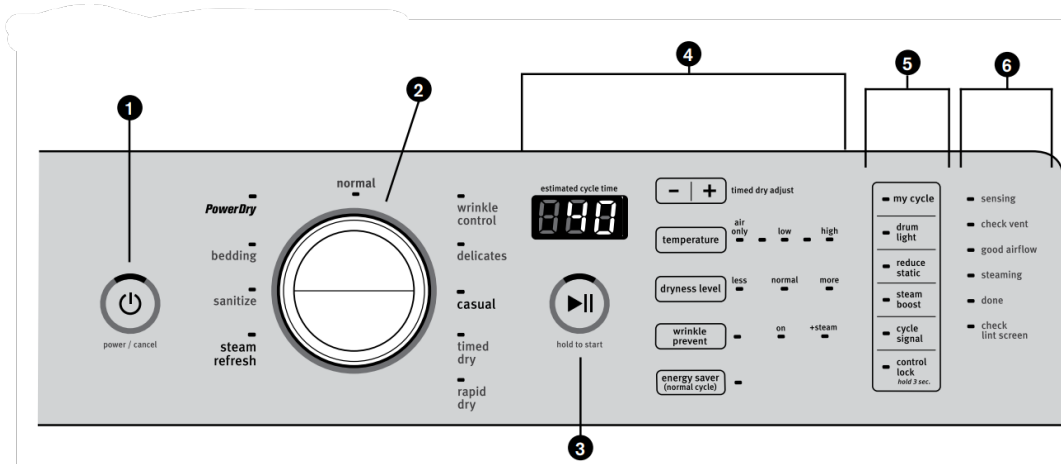


CONTROL PANEL AND FEATURES

Not all features and cycles are available on all models.

NOTE: The control panel features a sensitive surface that responds to a light touch of your finger. To ensure your selections are registered, touch the control panel with your finger tip, not your fingernail. When selecting a setting or option, simply touch its name.



1. POWER/CANCEL

Touch to turn the dryer on and off. Touch to stop/cancel a cycle at any time.

2. CYCLE CONTROL KNOB

Turn the knob to select a cycle for your laundry load. Sensor Cycles are Power Dry, Normal, Delicates, Sanitize (on some models), Bedding (on some models), and Wrinkle Control (on some models). Timed Cycles are Timed Dry and Rapid Dry. The Steam Cycle (on some models) is Refresh. See “Cycle Guide” for detailed descriptions of cycles.

3. START/PAUSE

Touch and hold until the LED comes on to start a cycle, or touch once while a cycle is in process to pause it.

4. LED DISPLAY AND SETTINGS

When you select a cycle, its settings will light up and the Estimated Cycle Time (for Sensor Cycles) or actual time remaining (for Timed Cycles) will be displayed. On 2-digit displays, for times longer than 99 minutes, hours will be displayed followed by minutes.

See “Cycle Guide” for available settings on each cycle. Not all settings are available with all cycles.

-/+ (Timed Dry Adjust)

Touch “+” or “-” with Timed Cycles to increase or decrease the length of a Timed Dry or Rapid Dry cycle.

Temperature

When using Timed Cycles or Refresh, you may select a dry temperature based on the type of load you are drying. Use the warmest setting safe for the garments in the load. Follow garment label instructions.

NOTE: Sensor Cycles use a preset temperature that is not adjustable.

Dryness Level

When using Sensor Cycles (except for the Sanitize cycle), you may select a Dryness Level based on the type of load you are drying.

NOTE: Dryness Level is for use with Sensor Cycles only

Wrinkle Prevent

If you will be unable to remove a load immediately, touch Wrinkle Prevent to add up to 140 minutes of periodic tumbling to help reduce wrinkling. On some cycles, you may select the “With Steam” setting to add a short steam cycle after 60 minutes to help smooth out wrinkles.

Energy Saver

Touch to activate the Energy Saver option, which allows you to increase your energy savings by using a slightly lower heat level. Energy Saver will increase drying times by approximately 40 minutes; the LED Display will reflect this time.

Energy Saver is only available for Normal. For optimal energy, turn on the Energy Saver option. For optimal time, turn off the Energy Saver option.

NOTE: Energy savings may vary across loads.

5. OPTIONS

Use to select available options for your dryer. Not all cycles and options are available on all models.

My Cycle

If you have a favorite cycle with custom settings that you use frequently, you can use the My Cycle feature to keep your preferred settings ready to use. To save the cycle press and hold MY CYCLE (approximately 3 seconds) until a beep sounds and the letters “SET” are displayed on your machine. When selecting My Cycle refer to the LCD display for additional options and settings.

Drum Light

Touch to turn the LED drum light on or off. The light will also turn on when the door is open, and turn off automatically after about 5 minutes.

Reduce Static

Touch to add the Reduce Static option to selected Sensor cycles (see “Cycle Guide”). The dryer will automatically tumble, pause, and introduce a small amount of moisture into the load to help reduce static. This option adds approximately 8 minutes to the total cycle time.

Steam Boost

Steam Boost adds steam to the end of the Heavy Duty, Bedding, or Normal cycle to help smooth wrinkles. Steam Boost can be used with High or Medium heat settings. This option adds approximately 15 minutes to the total cycle time.

Cycle Signal

Use this to turn the signal indicating the end of a drying cycle on or off.

NOTE: You may also turn off the tones that sound when a feature, setting, or option is touched. Touch and hold Cycle Signal for about one second to turn sounds on or off.

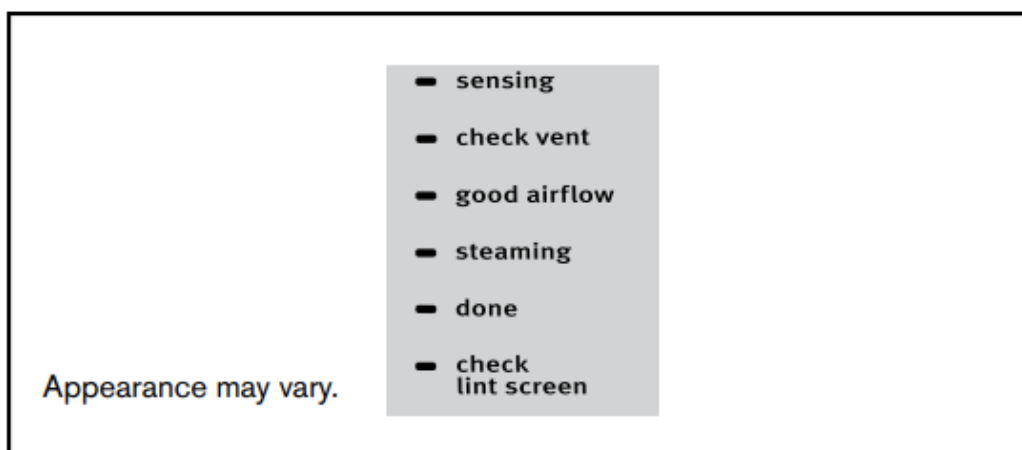
Control Lock

Use to lock the controls of the dryer and avoid an accidental change in cycle options or preferences during a drying cycle.

Touch and hold CONTROL LOCK for 3 seconds to lock or unlock the controls of the dryer. During this time, the LED Display will count down 3-2-1. Once the controls are locked, the LED Display will display “Lc” or “Loc.”

NOTE: The Control Lock function may be enabled when recovering from a power failure. To unlock the control, touch and hold CONTROL LOCK for at least 3 seconds.

6. CYCLE STATUS INDICATORS



The Cycle Status Indicators show the progress of a cycle. Not all indicators are available on all models.

Sensing

The Sensing indicator will light during Sensor Cycles to indicate that the moisture sensor on the dryer is operating. This indicator will not light during Timed Cycles or options such as Wrinkle Prevent.

Check Vent

This indicator will show the status of airflow through the dryer and the dryer vent system for the dryer's life. During the sensing phase at the beginning of the cycle, the Check Vent light will come on if a blocked vent or low airflow issue is detected. This light will stay on for the entire cycle. The light will be cleared when selecting a new cycle, touching POWER, or opening the door after the cycle has completed. This feature is available during Sensor and Steam cycles only. For more information on maintaining good airflow, see "Check Your Vent System for Good Airflow".

NOTE: If there are other error issues during a cycle, the Check Vent indicator will not light up. See "Troubleshooting" section.

Good Airflow

This indicator will light if there is no major vent blockage.

Steaming

This indicator will light when a steam function is active.

NOTE: Steam is not available on all cycles.

Done

This will indicate that the selected cycle has ended and the load may be removed from the dryer. If Wrinkle Prevent has been selected, the dryer may continue to tumble the load, even if the Done indicator is lit.

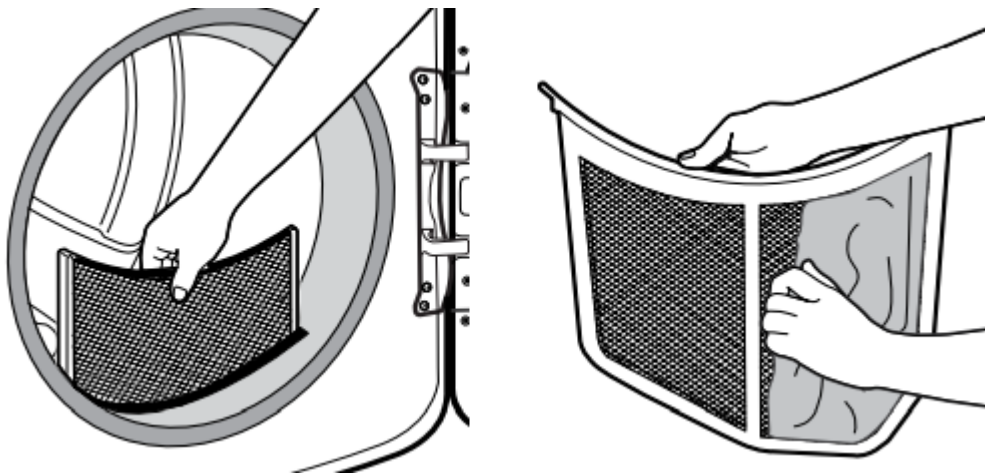
Check Lint Screen

The Check Lint Screen indicator will light when the drying cycle is complete as a reminder to clean the lint screen.

USING YOUR DRYER

WARNING: To reduce the risk of fire, electric shock, or injury to persons, read the **IMPORTANT SAFETY INSTRUCTIONS** before operating this appliance.

1. Clean the lint screen



Clean the lint screen before each load. Pull the lint screen straight up. Roll lint off the screen with your fingers. Do not rinse or wash screen to remove lint. Wet lint is hard to remove. Push the lint screen firmly back into place.

For additional cleaning information, see “Dryer Care.”

2. Load the dryer



Appearance may vary.

Open the door by pulling on the handle. Place laundry in the dryer. Add a dryer sheet to wet load if desired. Close the door.

IMPORTANT: Do not tightly pack the dryer. Items need to tumble freely. Tightly packing can lead to poor drying performance and may increase wrinkling and tangling

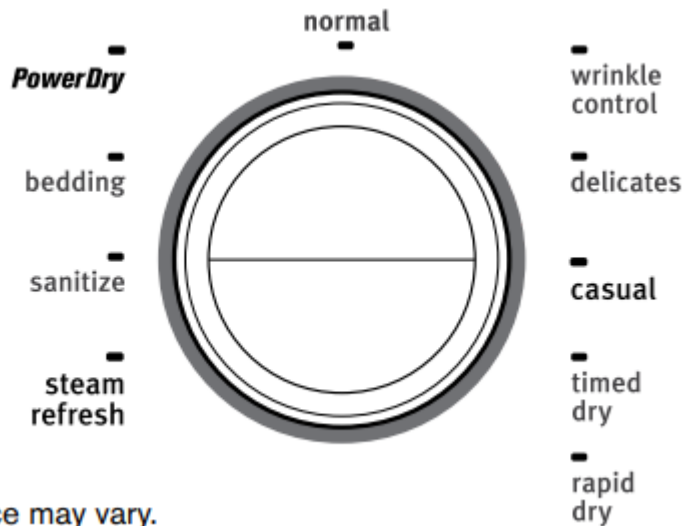
3. Touch POWER/CANCEL



power / cancel

Touch POWER/CANCEL to turn on the dryer.

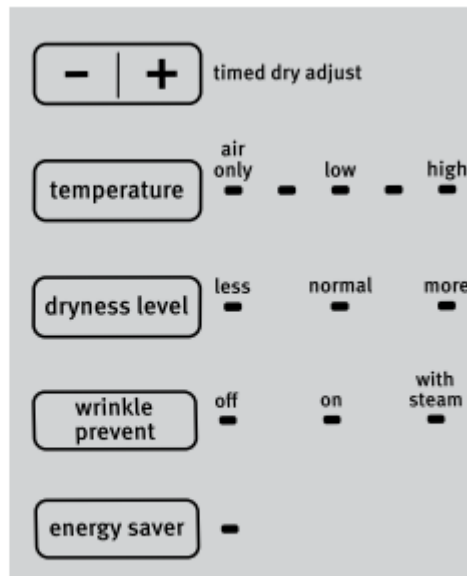
4. Select the desired cycle



Appearance may vary.

Select the desired cycle for your load. See the “Cycle Guide” for more information about each cycle. Not all cycles are on all models.

5. Adjust cycle settings, if desired



Appearance may vary.

You may adjust different settings, depending on whether you have selected a Sensor Cycle, Timed Cycle, or Steam Cycle (on some models). See the “Cycle Guide” for detailed information.

NOTE: Not all options and settings are available with all cycles. Not all cycles are on all models.

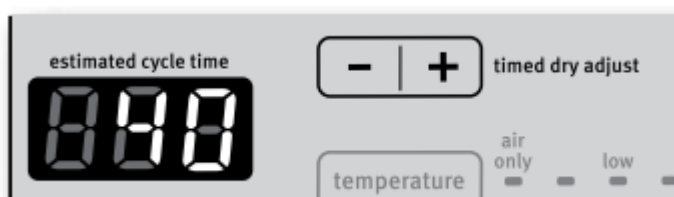
Sensor Cycles:

You can select a different dryness level, depending on your load. Touch DRYNESS LEVEL to scroll to More, Normal, or Less. Selecting More, Normal, or Less automatically adjusts the dryness level at which the dryer will shut off. Once a dryness level is set, it cannot be changed without stopping the cycle.

Sensor cycles give the best drying in the shortest time. Drying time varies based on fabric type, load size, and dryness setting. Drying time is estimated and may change throughout the cycle. Drying time can not be changed on Sensor Cycles.

NOTE: Sensor Cycles use a preset temperature that is not adjustable.

Timed Cycles:



When you select a Timed Cycle, the time appears in the display. Touch + and – to increase or decrease the time in 1-minute increments. Touch and hold to change the time in 5-minute increments.

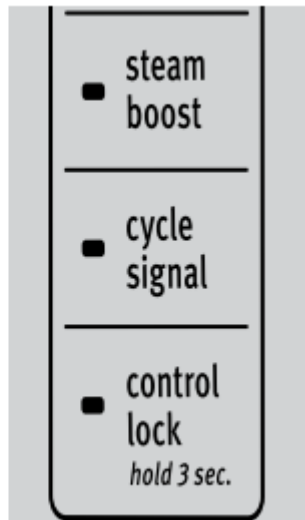
The temperature may be changed by touching Temperature until the desired dry temperature is lit. Once a cycle has started, the temperature can be changed after first pausing the cycle.

Steam Cycles (on some models):

Select Steam Refresh to reduce odors and light wrinkles in dry loads.

Do not add dryer sheets. Cycle time is estimated and may change throughout the cycle. Cycle time cannot be changed on Steam Cycles.

6. Select any additional options



Appearance may vary.

The display will show the settings for the selected cycle. To adjust a setting, touch its name – Reduce Static, or Steam Boost.

NOTE: Not all options and settings are available with all cycles.

7. Touch and hold START/PAUSE to begin cycle

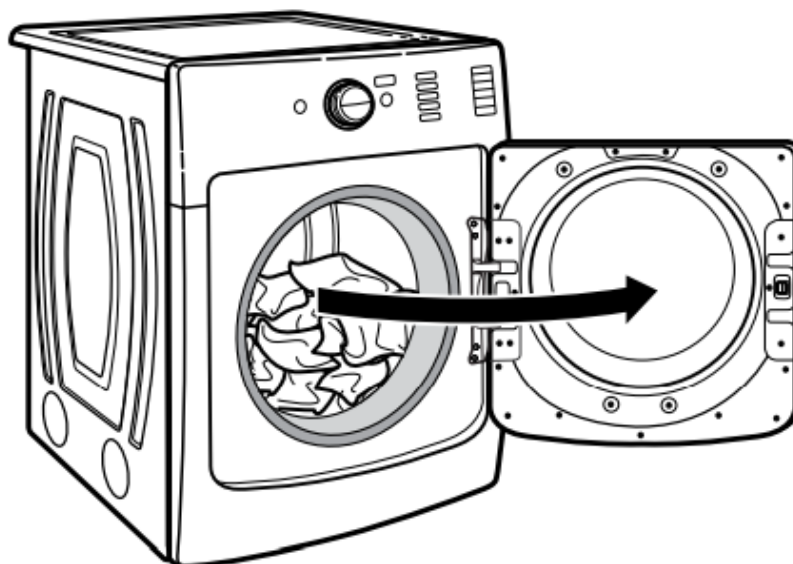


hold to start

Touch and hold START/PAUSE to begin the cycle.

8. Remove garments promptly after cycle is finished





Appearance may vary.

Promptly remove garments after cycle has completed to reduce wrinkling.

Changing the Sensor Cycle settings to increase drying time

If all your loads on all Sensor Cycles are consistently not as dry as you would like, you may change the default settings to increase the default dryness level.

Your sensor drying settings can be adjusted to adapt to different installations, environmental conditions, or personal preference. This change is retained and will affect all of your Sensor cycles, not just the current cycle/load. There are 5 drying settings, which are displayed using the time display:

- 01** Factory preset dryness level.
- 02** Slightly drier clothes, 15% more drying time.
- 03** Much drier clothes, 30% more drying time.
- 04** Slightly wetter clothes, 15% less drying time.
- 05** Much wetter clothes, 30% less drying time.

To change the drying settings:

NOTE: The settings cannot be changed while the dryer is running or paused. The dryer must be in standby mode (power is off) to adjust the default settings.

1. Before starting a cycle, touch and hold DRYNESS LEVEL for 6 seconds.
2. Touch DRYNESS LEVEL to select the dryness level shown in the time display: 01, 02, 03, 04 or 05.
3. Touch START/PAUSE to save the new dryness level setting

ADDITIONAL FEATURES

USING THE DRYING RACK

To purchase a drying rack for your dryer, order by calling 1-877-944-7566. You will need your model and serial number and the purchase date. Remove and discard any packing material before use.

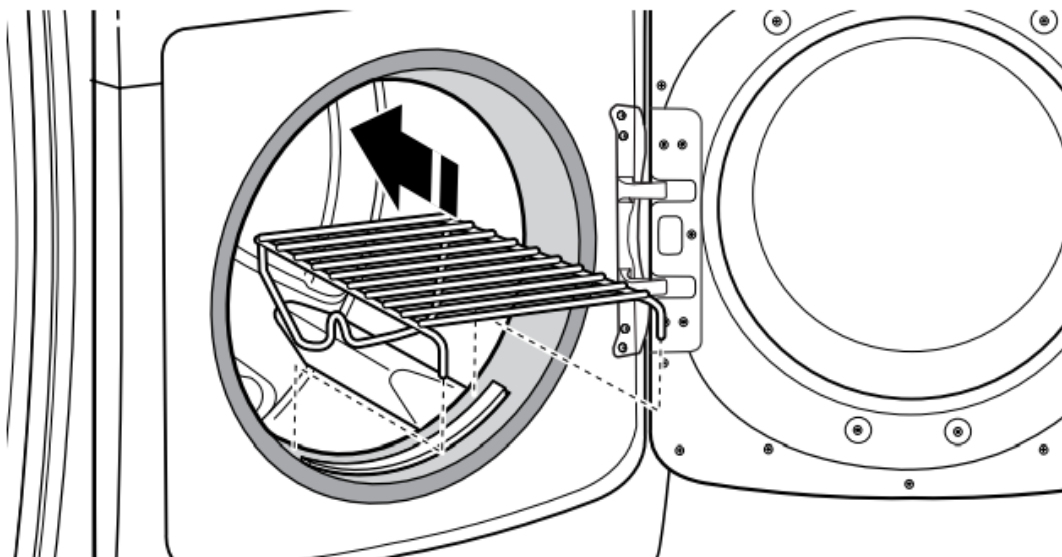
Use the Drying Rack for items that you do not want to tumble dry, such as sweaters and tennis shoes. When you use the drying rack, the drum continues to turn, but the rack remains stationary.

The drying rack is intended for use with the Timed Dry cycle only. The drying rack cannot be used with Sensor cycles.

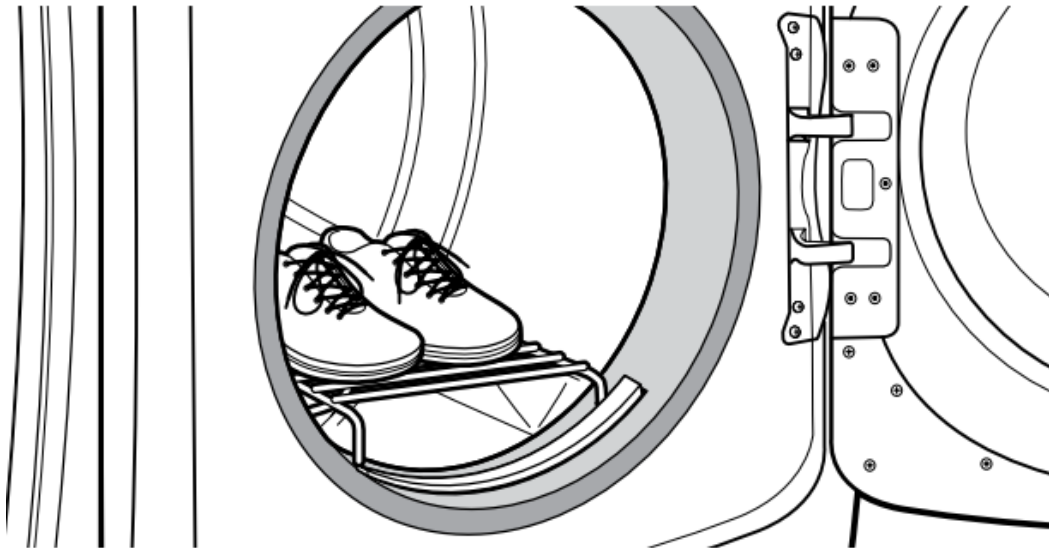
To use the drying rack:

IMPORTANT: Do not remove the lint screen.

1. Open dryer door.



2. Align the two hooks on the front of the drying rack with the holes in the dryer door opening and press down fully into holes. Rest the rear support on the dryer back ledge.



3. Place wet items on top of the drying rack. Allow space around items for air to circulate. The drying rack does not move, but the drum will rotate; be sure to leave adequate clearance between items and the inside of the dryer drum. Make sure items do not hang over the edges or between drying rack grille.
4. Close the door.
5. Select a Timed Dry/Air Only/Air Dry, or Low Temperature cycle. Items containing foam, rubber, or plastic must be dried on a clothesline or by using the Air Only setting or Air Dry cycle, depending on model.
6. When the cycle is selected, the Estimated Time Remaining display shows the default time. You can change the actual time in the cycle by increasing or decreasing the cycle time.
7. Start the dryer.

NOTE: Check the lint screen and remove any lint accumulated from items dried on the drying rack after the cycle is finished.

DRYER CARE

CLEANING THE DRYER LOCATION

Keep dryer area clear and free from items that would block the air flow for proper dryer operation. This includes clearing piles of laundry in front of the dryer.

CLEANING THE DRYER INTERIOR

To clean dryer drum

1. Use a mild hand dish detergent mixed at a low concentration with very warm water, and rub with a soft cloth.

2. Rinse well with a wet sponge or towel.
3. Tumble a load of clean clothes or towels to dry drum

OR

Use a microfiber cloth and hot water in a spray bottle to clean the drum and a second microfiber towel to dry

NOTE: Garments that contain unstable dyes, such as denim blue jeans or brightly colored cotton items, may discolor the rear of the dryer interior. These stains are not harmful to your dryer and will not stain future loads of clothes. Dry unstable dye items inside out to avoid transfer of dye.

REMOVING ACCUMULATED LINT

From Inside the Dryer Cabinet

Lint should be removed every 2 years, or more often, depending on dryer usage. Cleaning should be done by a qualified appliance servicer.

From the Exhaust Vent

Lint should be removed every 2 years, or more often, depending on dryer usage.

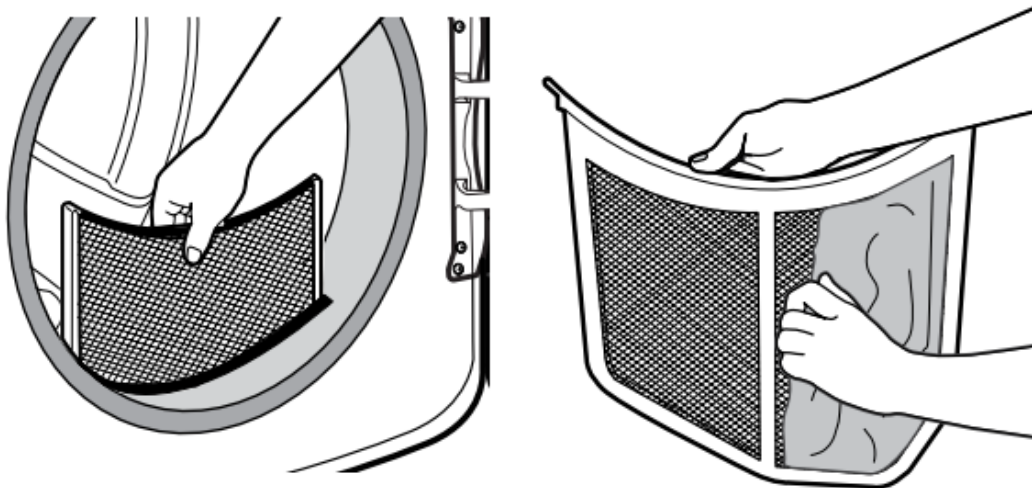
CLEANING THE LINT SCREEN

Every load cleaning

The lint screen is located in the door opening of the dryer. The control panel has an indicator light to remind you to clean the lint screen after each load. When the light is flashing, clean the lint screen. A screen blocked by lint can increase drying time.

To clean:

1. Pull the lint screen straight up. Roll lint off the screen with your fingers. Do not rinse or wash screen to remove lint. Wet lint is hard to remove.



2. Push the lint screen firmly back into place.

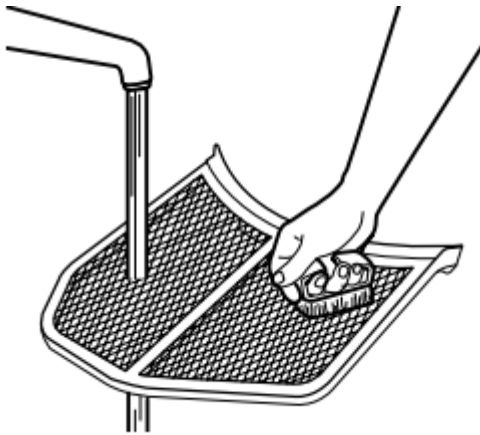
AS NEEDED CLEANING

Laundry detergent and fabric softener residue can build up on the lint screen. This buildup can cause longer drying times for your clothes, or cause the dryer to stop before your load is completely dry. The screen is probably clogged if lint falls off while the screen is in the dryer.

Clean the lint screen with a nylon brush every 6 months, or more frequently, if it becomes clogged due to a residue buildup.

To wash:

1. Roll lint off the screen with your fingers.
2. Wet both sides of lint screen with hot water.
3. Wet a nylon brush with hot water and liquid detergent. Scrub lint screen with the brush to remove residue buildup



4. Rinse screen with hot water.
5. Thoroughly dry lint screen with a clean towel. Reinstall screen in dryer.

NON-USE, STORAGE, AND MOVING CARE

Install and store your dryer where it will not freeze. Because some water may stay in the hose, freezing can damage your dryer. If storing or moving your dryer during freezing weather, winterize it.

Non-Use or Storage Care

Operate your dryer only when you are at home. If you will be on vacation or not using your dryer for an extended period of time, you should:

1. Unplug dryer or disconnect power.
2. Clean lint screen. See "Cleaning the Lint Screen."

3. Turn off the water supply to the dryer. This helps to avoid unintended flooding (due to a water pressure surge) while you are away.

Moving Care

For power supply cord-connected dryers:

1. Unplug the power supply cord.
2. Gas models only: Close shut-off valve in gas supply line.
3. Gas models only: Disconnect gas supply line pipe and remove fittings attached to dryer pipe.
4. Gas models only: Cap the open gas supply line.
5. Steam models only: Shut off water faucet.
6. Disconnect the water inlet hose from faucet, then drain the hose. Transport hose separately.
7. Make sure leveling legs are secure in dryer base.
8. Use tape to secure dryer door.

For direct-wired dryers:

1. Disconnect power.
2. Disconnect wiring.
3. Steam models only: Shut off water faucet.
4. Steam models only: Disconnect the water inlet hose from faucet; then drain the hose. Transport hose separately.
5. Make sure leveling legs are secure in dryer base.
6. Use tape to secure dryer door.

Reinstalling the Dryer

Follow the Installation Instructions to locate, level, and connect the dryer.

SPECIAL INSTRUCTIONS FOR STEAM MODELS

Water Inlet Hose

Replace inlet hose and hose screen after 5 years of use to reduce the risk of hose failure. Periodically inspect and replace inlet hose if bulges, kinks, cuts, wear, or leaks are found.

When replacing your inlet hose, record the date of replacement.

To Winterize the Dryer

1. Unplug dryer or disconnect power.

2. Shut off water faucet.
3. Disconnect water inlet hose from faucet and drain.

To Use the Dryer Again

1. Flush water pipes. Reconnect water inlet hose to faucet. Turn on water faucet.
2. Plug in dryer or reconnect power as described in the Installation Instructions.



TROUBLESHOOTING



If you experience	Possible Causes	Solution
Dryer Operation		
Dryer will not run	Door not closed completely.	Make sure the dryer door is closed completely.
	START/PAUSE not touched firmly or held long enough.	Touch and hold START/PAUSE 2-5 seconds.
	Household fuse is blown or circuit breaker has tripped.	There may be 2 household fuses or circuit breakers for the dryer. Check that both fuses are intact and that both circuit breakers have not tripped. Replace the fuses or reset the circuit breaker. If the problem continues, call an electrician.
	Incorrect power supply.	Electric dryers require 240-volt power supply. Call a qualified electrician.
Dryer will not heat	Household fuse is blown or circuit breaker has tripped.	The drum may be turning, but you may not feel heat. Electric dryers use 2 household fuses or circuit breakers. Replace the fuses or reset the circuit breaker. If the problem continues, call an electrician.
	Incorrect power supply.	Electric dryers require 240-volt power supply. Call a qualified electrician.
	Supply line valve not open.	For gas dryers, make sure that the valve on the gas supply line is open.
Unusual Noise		
Humming or whining noise with Steam cycle selected (on some models)	Water pump or water inlet valve (depending on model) on dryer is running.	The water pump or water inlet valve on the dryer runs during the Steam function. If the dryer has been installed or unused for an extended period, the water inlet valve may be louder and run longer. This is normal.



		NOTE: The valve may make this noise even if the water line is connected.
Thumping noise	Dryer hasn't been used in a while.	This is due to temporary flat spots on the drum. The thumping sound will diminish after a few cycles.
Rattling or vibrating noise	A small object caught between the edges of dryer drum.	Check the front and rear edges of the drum for objects. Clean out pockets before laundering.
	Dryer isn't properly leveled.	The dryer may vibrate if not properly installed. See the Installation Instructions. All four dryer feet must be in firm contact with the floor.
	Clothing is balled up in dryer.	When balled up, the load will bounce, causing the drum to vibrate. Separate the load items and redistribute.
Clicking noise	Gas valve operating.	On gas dryers, you may hear the gas valve click as it opens and closes. This is normal.
Loud humming or increased noise during cycle	Load is packed tightly or exhaust vent is blocked.	Reduce load size to recommended load size. See the "Load Size Guide." Run the dryer for 5-10 minutes. Hold your hand to the outside exhaust hood to check air movement. If you do not feel air movement or air movement is not strong, clean the exhaust system of lint or replace exhaust vent with rigid metal or flexible metal vent. See the Installation Instructions.
Dryer Results		
Clothes are not drying satisfactorily or drying times are too long	Energy Saver option is on.	For optimal drying times, turn off Energy Saver. For optimal energy, turn on Energy Saver.
	Lint screen is clogged with lint.	Clean lint screen before each load.



	<p>The exhaust vent or outside exhaust hood is clogged with lint, restricting air movement.</p>	<p>Run the dryer for 5-10 minutes. Hold your hand to the outside exhaust hood to check air movement. If you do not feel air movement or air movement is restricted, clean the exhaust system of lint or replace exhaust vent with rigid metal or flexible metal vent.</p> <p>See the Installation Instructions.</p>
--	---	---



Clothes are not drying satisfactorily or drying times are too long (cont.)	The exhaust vent is not the correct length.	Check that the exhaust vent is not too long or has too many turns. Long venting will increase drying time. See the Installation Instructions.
	The exhaust vent diameter is not the correct size.	Use 4" (102 mm) diameter vent material.
	The dryer is not level.	Clothes not contacting the moisture sensor. Sensor cycles. See "Level Dryer" in the Installation Instructions.
	The Air Only temperature setting or Air Dry cycle (depending on model) has been selected.	Select the correct temperature for the type of garments being dried. See "Cycle Guide" in the Installation Instructions.
	The load is too large and heavy to dry quickly.	Separate the load to tumble freely.
	Fabric softener sheets are blocking the grille.	The air outlet grille is just inside the door behind the lint screen. Check that it is not blocked by a fabric softener sheet. Use only one fabric softener sheet, and only once.
	The dryer is located in a room with temperature below 45°F (7°C).	Proper operation of dryer cycles requires a room temperature above 45°F (7°C).
	The dryer is located in a closet.	Closet doors must have ventilation openings at the top and bottom of the door. The front of the door must have a minimum of 1" (25 mm) of airspace, and for rear installations, the rear of the dryer requires ventilation. See the Installation Instructions.
Cycle time is too short	The load may not be contacting the sensor strips on Sensor Cycles.	Level the dryer. See the Installation Instructions. The four dryer feet should be in firm contact with the floor.



	<p>Steam models only: Clothes are coming out of the Refresh cycle with damp or wet spots.</p>	<p>Under certain environmental or installation conditions, you may experience underdrying. Select a longer cycle, medium drying temperature, for 5 minutes.</p>
	<p>The Sensor Cycle is ending early.</p>	<p>Change the dryness level setting on Sensor Cycle. Increasing or decreasing the dryness level changes the amount of drying time in a cycle. If the Sensor Cycle is consistently ending too early, see also “Sensor Cycle” for Sensor Cycle settings to increase drying time.</p>
Lint on load	<p>Lint screen is clogged with lint.</p>	<p>Clean lint screen before each load.</p>
Stains on load	<p>Improper use of fabric softener.</p>	<p>Add dryer fabric softener sheets at the beginning of the cycle. Fabric softener sheets added to a load can stain your garments. Do not use fabric softener sheets with steam cycles.</p>
Stains on drum	<p>Loose dyes in clothes.</p>	<p>Drum stains are caused by dyes in clothes (e.g., blue jeans). These will not transfer to other clothes.</p>
Loads are wrinkled	<p>The load was not removed from dryer at the end of the cycle.</p>	<p>Steam models only: Select Refresh Cycle for a load with water and heat. This cycle helps reduce wrinkles from loads left in the dryer.</p> <p>NOTE: Refer to garment care label instructions. Clean-only garments are not recommended for Refresh Cycle.</p>
	<p>The dryer was tightly packed.</p>	<p>Dry smaller loads that can tumble freely.</p>
	<p>Steam models only: For steam cycles, the water is not properly connected with the dryer.</p>	<p>Make sure water is connected to the dryer. The water inlet hose is connected to both the dryer's water inlet valve. Check that the water is turned on.</p>



Odors	Recent painting, staining, or varnishing in the area where your dryer is located.	Ventilate the area. When the odors or fumes are removed from the area, rewash and dry the clothing.
	Steam models only: For steam cycles, the water is not properly connected with the dryer.	Make sure water is connected to the dryer. Check that the water inlet hose is connected to both the wall and the dryer's water inlet valve. Check that the water is turned on.
	Odors are left in garments after wearing.	Steam models only: To remove odors left in garments after wearing, select Refresh. The Refresh cycle is designed for reducing wrinkles from loads left in the dryer for a long time.
Load too hot	Load removed before cooldown portion of cycle complete.	Allow the dryer to complete the cooldown portion of the cycle before removing the load.
	Using Timed Dry cycle with a high temperature setting.	Select a Sensor cycle with a lower heat setting to avoid overdrying the load.

Dryer Displaying Code Message or Cycle Status Indicator Lights Up

"PF" (power failure)	The drying cycle has been interrupted by a power failure.	Touch and hold START/PAUSE to restart the cycle. NOTE: The Control Lock function may be active when recovering from a power failure. To deactivate the control, touch and hold CONTROL LOCK for 3 seconds.
"L" or "L2" Diagnostic Code (low or no line voltage condition)	There may be a problem with your home power supply, keeping the dryer's heater from turning on.	The dryer will continue to run when this code is present. Touch any setting or option on the control to clear the code from the display and return to the normal cycle time remaining. Try the following: Check to see if a household fuse or circuit breaker has tripped. Electrically reset household fuses or breakers. Replace blown fuses and reset the circuit breaker.

		<p>Confirm that the power cord is properly plugged into a grounded outlet. Refer to the Installation Instructions for more information.</p> <p>Select a Timed Dry heated cycle, and start the dryer.</p> <p>If the message persists, consult a qualified electrician.</p>
<p>Check Vent indicator is lit.</p>	<p>The lint screen or vent is clogged; the vent is crushed or kinked or has too many turns.</p>	<p>The dryer will continue to run when this message is cleared. Error code is present.</p> <p>Touch any setting or option name to clear the message from the display and return to the estimated time to dry.</p> <p>Try the following:</p> <ul style="list-style-type: none"> • Clean lint screen. • Check to see if the vent run from the dryer to the exterior wall is crushed or kinked. • Confirm that the vent run from the dryer to the exterior wall is free of lint and debris. • Confirm that the exterior vent exhaust is free of lint and debris. • Confirm that your vent system falls within the manufacturer's recommended run length and number of turns for the type of vent you are using. For more information, see "Vent System" in the Installation Instructions for more details. • Select a Timed Dry heated cycle, and start the dryer. • If the message persists, have your venting run cleaned.
<p>"F# E#" (F1 E1, F3 E1, etc.) variable service codes</p>	<p>The dryer is in need of service.</p>	<p>If a code beginning with an "F" appears, and the code is alternating between F# and E#, the dryer has detected a problem that requires service.</p>



<p>“Loc” or “Lc”</p>	<p>The Control Lock is enabled.</p>	<p>Touch and hold CONTROL LOCK for 3 seconds to unlock the controls of the dryer. During this time, the LED Display will count down 3-2-1. When the Control Lock is disabled, the LED Display will clear.</p>
----------------------	-------------------------------------	---

Warning

This content is compiled from multiple sources and is provided for reference purposes only. It may not be complete or fully applicable to all situations. If you are unable to resolve your issue, please contact the product manufacturer or an authorized service provider for official support.

