

## BEFORE USING FOR THE FIRST TIME

Do not position this appliance with its rear panel directly against a wall. For good circulation and operating efficiency, the ventilation grilles must never be blocked.

Remove all packaging and place the BeefEater outdoor display fridge on a stable, secure flat surface. Position the BeefEater outdoor display fridge away from heat sources, where the unit is well-ventilated and protected from moisture, or extremes of heat or cold. The outdoor display fridge may not function properly if the ambient temperature rises above 40° for prolonged periods of time.

When installed in a BeefEater Outdoor Kitchen, ensure the vents behind the outdoor display fridge are clear, clean and not obstructed from the other side, such that air circulation is enabled.

Do not use an extension lead. If the mains cable will not reach the nearest socket, either rearrange your installation layout or ask a qualified electrician to fit a new socket.

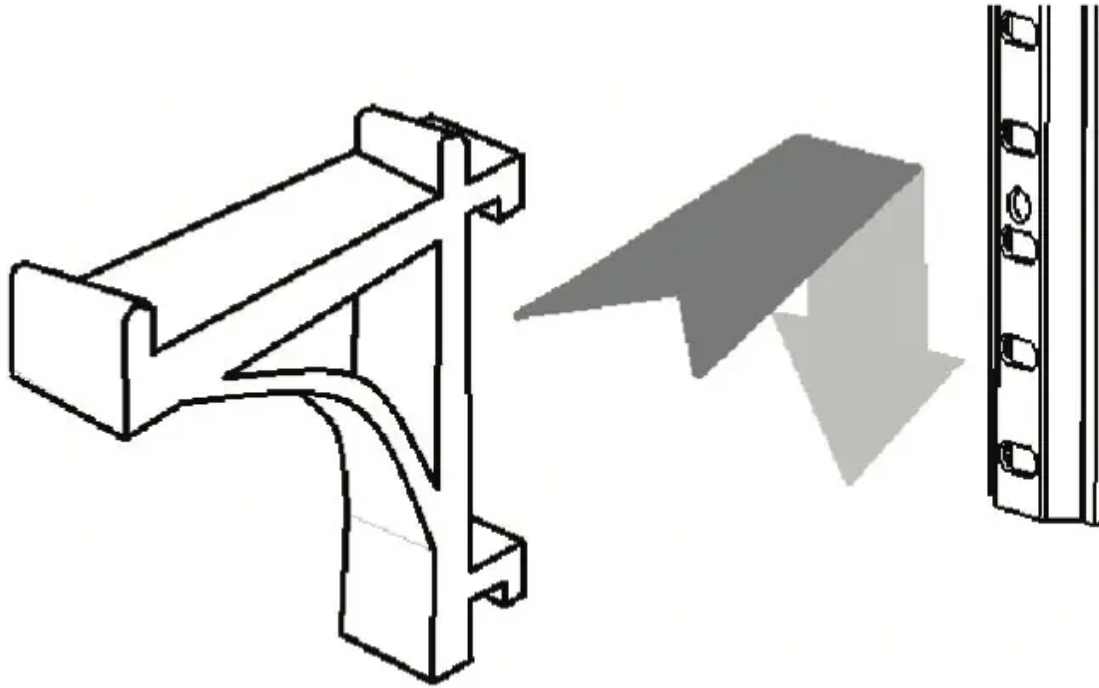
If power is cut off, wait for at least 5 mins before plugging the unit in again to avoid damaging the compressor.

Do not place combustible, explosive or volatile articles, corrosive acid or alkali, or liquid in glass containers into the BeefEater outdoor display fridge. Always exercise caution if adjusting the temperature.

**IMPORTANT:** Allow the outdoor display fridge to stand still and upright for 8 hours before plugging it into the power.

### Preparation

Position the Shelf-Supports inside the racks on the sides as illustrated below, at your required level, and then place the shelves firmly on the supports.



The maximum load for a shelf is 40kg.

**NOTE:** check that the refrigerator is functioning correctly before installing shelves and filling it.

### Cleaning

1. Unplug your BeefEater outdoor display fridge from power source and remove any items from inside. It is best to place these temporarily in another refrigerator.
2. Wash the inner compartment with warm water and neutral mild detergent. DO NOT allow the control panel, cables or plug to get wet.

**IMPORTANT:**

NEVER use corrosive detergents, wire blasters, or abrasive scourers to clean your BeefEater outdoor display fridge.

NEVER use metal or sharp implements to scrape any part of the fridge.

3. Dry all surface thoroughly.
4. To ensure trouble-free operation the condenser should be cleaned every three months where appropriate using a vacuum hose. The condenser is located behind lower grill of the cabinet. In exceptionally dusty

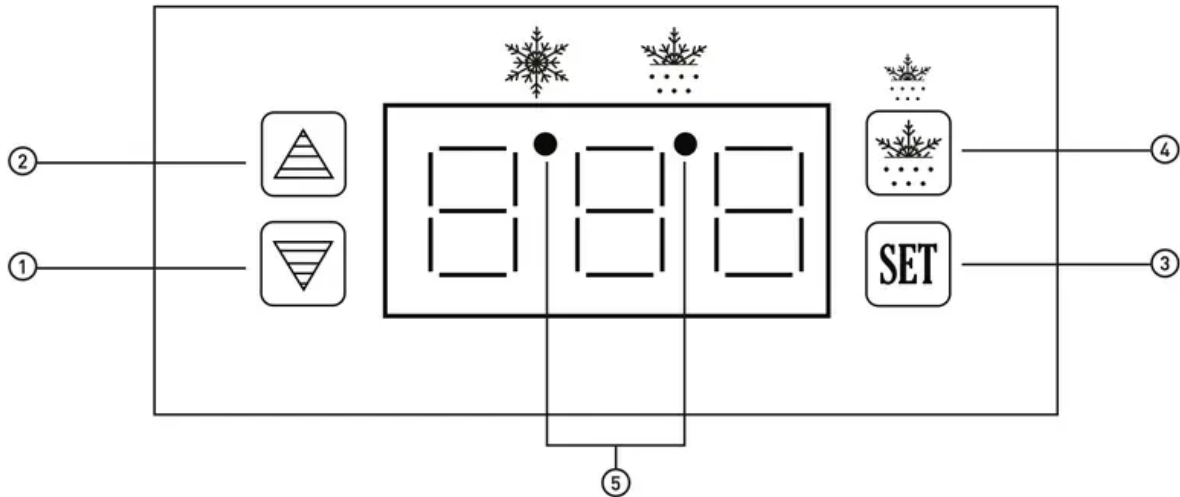
**IMPORTANT:** It is recommended that areas around the condenser are cleaned more often.

5. Use mild soapy water to clean the gasket and seals around the door.
6. The external surfaces of the fridge can be cleaned with warm water and mild detergent, or with a suitable Stainless-Steel cleaning material.

## ELECTRIC CONTROL


The electric controller is located outside the unit on the bottom, right-hand side front plinth.

It looks like this:




1. DOWN control
2. UP control
3. SET control
4. DEFROST control
5. Indicator lights

During normal operation the controller display will show the temperature inside the refrigerator.

A small indicator light  will illuminate under the 'cooling' symbol to confirm the fridge is in its normal cooling mode, and compressor is running.





**NOTE:** The fridge is built to automatically defrost and prevent any ice forming on the Evaporator.

It will automatically run a 'Defrost cycle for 20min once every 8 hours.



When in a 'Defrost' cycle, the indicator light will illuminate under the 'Defrost' symbol .

### Operation of the controller




To set the desired temperature of the fridge

- Press the  button once. A 'beep' will sound, and the display will start to flash.
- Use   buttons to set to the desired temperature.
- Press  again to complete the operation, or just leave it for 5–10 seconds, and the display will revert back to showing internal temperature, while new settings saved.

### To manually activate 'Defrost' cycle

- Press the  button and hold it. a 'beep' will sound as soon as pressed.
- Hold button pressed for 10 – 20 seconds, until a second 'beep' can be heard.
- The indicator light will now illuminate under the 'defrost'  symbol and the fridge is into 'defrost' cycle.
- 'Defrost' will run for 20mins, and then automatically revert to normal operation.

### To manually change back to normal operating mode from the 'defrost' mode

- Press the  button again, a 'beep' will sound.
- Hold button pressed for 10 – 20 seconds, until a second 'beep' is heard.
- Both indicator lights under the 'defrost' symbol and under the 'cooling' symbol will now flash  while the fridge is gearing up to switch back to normal operation.
- After 5 – 20 minutes, only the indicator light  will illuminate under the 'cooling' symbol to confirm the fridge is back in its normal cooling mode.

### IMPORTANT

- The fridge will go through a normal periodical defrosting cycle, and a manual defrosting operation is only require in most extreme cases. It is better to avoid if not necessary.
- While in the 'defrost' mode, the fridge cooling power is reduced working. The automatic cycles ensure the defrosting is done in the most efficient manner, a when required. It is not recommended to leave the fridge in the manually set defrost mode for prolonged periods of time.

**NOTE:** The controller allows you to choose a desired operating temperature of between -2°C and 8°C. BeefEater do not recommend to operate the fridge on settings of below 4°C, as such setting will cause content of the fridge to freeze, and will result in unnecessary strain on the cooling systems, and undue high energy consumption.

It is advisable to keep the cover over the controller closed when not being accessed, so no unintended operation or damage will occur.

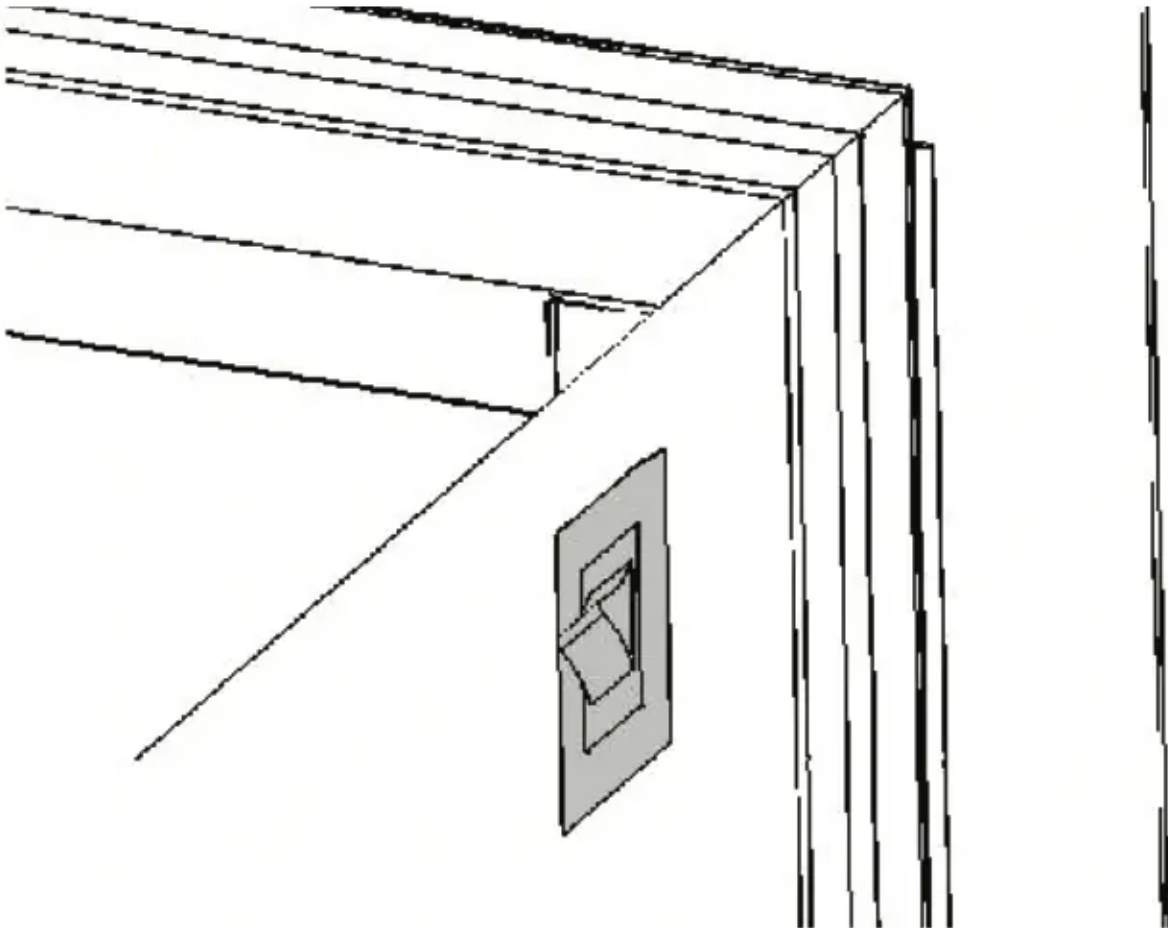
In normal operation the controller turns the compressor off at the set temperature and back on after the temperature had risen a few degrees. As such, the reading in the controller is always a couple of degrees above set-point and that is perfectly okay.

When the temperature was reached and the compressor is in its 'off' cycle, no indicator light will illuminate.

# OPERATING THE LIGHT

## Internal fridge light

The light inside the fridge can be turned On and Off using the light switch found on the right-hand side internal wall of the fridge.



## Replacing Lamps

Your BeefEater outdoor display fridge is using long-life, energy-saving LED light tube. Should you need to replace this light, please contact your nearest BeefEater stockist or service agent for a suitable replacement part.

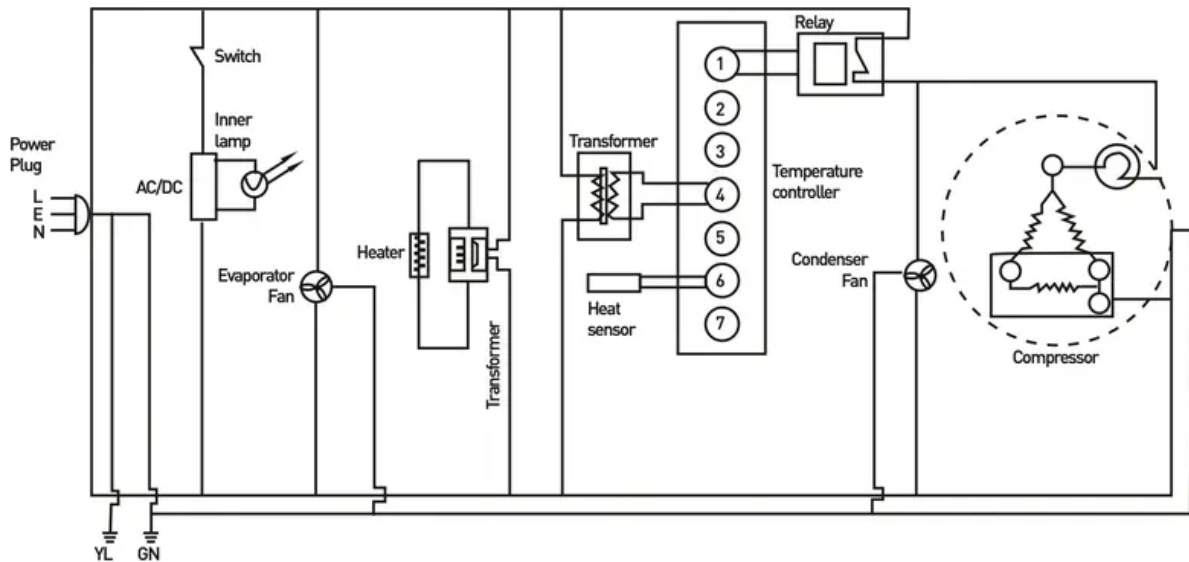
To change the light tube:

1. Unplug the power plug and ensure the light switch is off.
2. Remove the screws on both end of the light cover.
3. Take off the lamp cover, pull out the wires slightly.
4. Gently pull out the connector at the end of the light tube.
5. Insert the connector into the new lamp, place the lamp cover and fasten it.

## Technical Information

**NOTE:** Your BeefEater outdoor display fridge is built to eliminate any fog accumulating on the glass doors, so vision through the doors is never obstructed. This is achieved by heating the outer surface of the door slightly, and as such it is normal for the door to feel slightly warm for the touch.

| MODEL            | BF1130         | BF2200         | BF3310         |
|------------------|----------------|----------------|----------------|
| Climate class    | 5M2            | 5M2            | 5M2            |
| Storage volume   | 118L           | 190L           | 307L           |
| Protection class | I              | I              | I              |
| Voltage          | 220-240v, 50Hz | 220-240v, 50Hz | 220-240v, 50Hz |
| Input power      | 182w           | 213w           | 408w           |
| Light bulb power | 3.3w           | 2.5w           | 4.5w           |
| Input current    | 0.95A          | 1.2A           | 2.1A           |
| IP Rating        | IPX4           | IPX4           | IPX4           |
| Refrigerant      | R600a/55g      | R600a/68g      | R600a/90g      |
| Dimensions       | 840x555x520mm  | 840x855x520mm  | 840x1350x520mm |
| Foaming agent    | Cyclopentane   | Cyclopentane   | Cyclopentane   |



### Warning

This content is compiled from multiple sources and is provided for reference purposes only. It may not be complete or fully applicable to all situations. If you are unable to resolve your issue, please contact the product manufacturer or an authorized service provider for official support.

