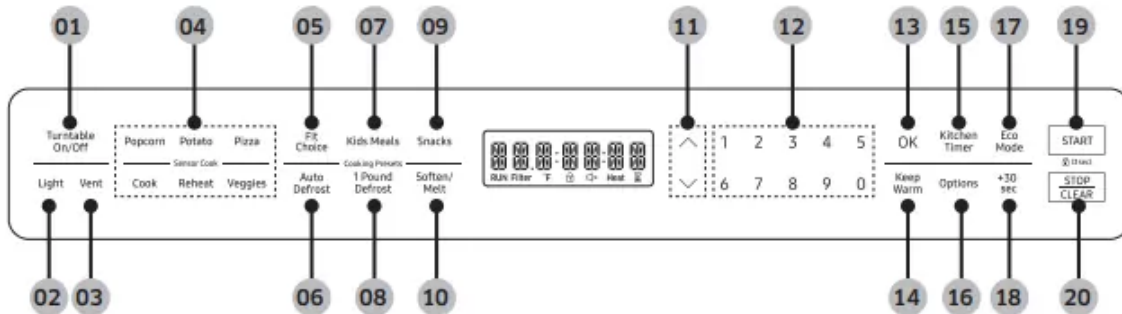


Setting up your new microwave oven

- Setting up your microwave oven damp cloth
- Open the door by pulling the handle on the right side of the door.
- Wipe the inside of your microwave oven with a damp cloth. indentation pre-assembled roller ring
- Install the pre-assembled ring into the indentation at the center of the microwave oven. glass tray
- Place the glass tray securely in the center of the pre-assembled roller ring



Setting the time

1. Your microwave oven is equipped with a built-in clock. Set the clock when first installing your microwave oven and after a power failure. The time is displayed whenever the microwave oven is not being used.
2. Press the Options button.
3. Press the 9 button.
4. Press the OK button.
5. Use the numeric buttons to enter the current time. You need to press at least three numbers to set the clock. For example, if the current time is 5:00, press 5, 0, 0.
6. The display will show 5 : 00.
7. Press the OK button.
8. Using my setting feature
9. You can customize your new microwave oven to suit your preferences.

To customize:

1. Press the Options button.



2. Press one of the numeric buttons to select a function you want to customize.
3. Press the OK button.
4. Press one of the numeric buttons to select a setting.
5. Press the OK button.

Using the stop/clear button

- The STOP/CLEAR button allows you to clear instructions you have entered.
- It also allows you to pause your microwave oven's cooking cycle, so that you can check the food.
- To pause the oven during cooking, press the STOP/CLEAR button once. To restart, press the START button.
- To stop cooking, erase instructions, and return the oven display to the time of day, press the STOP/CLEAR button twice.
- To clear instructions you have just entered, press the STOP/CLEAR button once, and then re-enter the instructions.
- To cancel a timer setting, press the STOP/CLEAR button once.
- Using the child lock
- The Child Lock function allows you to lock all buttons except Eco Mode so that the microwave oven cannot be operated by children accidentally. The oven can be locked at any time.

Activating / Deactivating

- If you want to activate or deactivate the child lock function, press the START button for 3 seconds. The display will show 'CHILD
- LOCK ON' or 'CHILD LOCK OFF' when the oven is locked or unlocked, and then redisplay the time.

Using the kitchen timer

- Your microwave has a built-in timer function - the Kitchen Timer. Use the Kitchen
- Timer for timing up to 99 minutes, 99 seconds.
- Press the Kitchen Timer button.
- Use the numeric buttons to set the time you want the timer to run.
- Max time 99 minutes, 99 seconds.)
- Press the OK button.
- The display counts down, and then beeps when the time has elapsed.

To cancel the timer setting :

- STOP/CLEAR button once.

- Using the microwave +30 sec. feature
- This feature offers a convenient way to heat food in set time increments at the
- High power level (100 % power).
- Press the +30 sec button for each additional 30 seconds you want the food to be cooked for. (For example, press the button twice to cook for one minute.)
- Press the START button.

NOTE

- When the oven is operating, if you press the +30 sec button, the cooking time will be increased by 30 seconds.

Using the more/less feature

1. The More or Less feature allows you to adjust the pre-set cooking time. It works with 1 and 2 stage cooking, regular microwave cooking, and Keep Warm.
2. Use the More or Less feature only after cooking has begun.
3. To ADD more time to a cooking procedure, press the More button ().
4. Each time you press the More button the cooking time will be increased by 10 seconds.
5. To REDUCE the time of a cooking procedure, press the Less button ().
6. Each time you press the Less button the cooking time will be decreased by 10 seconds.

Using the eco mode

- Eco Mode reduces standby power usage.
- When you press the Eco Mode button once, the display will go out and the microwave shifts to a mode which minimizes power usage. To cancel the Eco Mode, press the
- Eco Mode button once again, or press any other button.

Turning on the vent

1. The vent fan removes steam and other vapors that result from cooking on the rangetop below.
2. Press the Vent button once for boost fan speed, twice for high fan speed, three times for medium fan speed, and four times for low fan speed. Press the Vent button 5 times to turn the fan off.

NOTE

- The exhaust fan's speed will decrease when the oven's cooking function is activated.

NOTE

1. The Vent Fan protects the microwave from excess heat. It automatically turns on if it senses too much heat. If you have turned the fan on, you may find that you cannot turn it off.

2. The fan will automatically turn off when the internal parts are cool. It may stay on for 30 minutes or more after the cooktop and microwave controls are turned off.

Using the 1 pound defrost button

1. To thaw 1.0 lbs of frozen food, press this button, and the microwave automatically sets the defrosting time, power level, and standing time.
2. Press the 1 Pound Defrost button. The display shows: 1.0 LB.
3. Press the START button to start defrosting.
4. The oven will beep and the display will read TURN THE FOOD OVER during the defrosting process. Open the oven door, and turn the food over. Press the
5. START button to resume the defrosting process.
6. If you do not turn the food over when
7. TURN THE FOOD OVER is displayed, press the START button to continue the defrosting process. The microwave will not continue until you press START.

Using the sensor cooking buttons

1. The Sensor Cooking buttons let you cook favorite foods using preset power levels and times at the touch of a button.
2. If the food is not thoroughly cooked or reheated when you use the auto cook feature, complete the cooking process by selecting a power level and cooking the food for an additional amount of time.
3. Put the food on the tray.
4. Press the category button that corresponds to the food you want to cook.
5. Select the Cook Number designated for that food. To select, press the Up/Down buttons or the appropriate numeric buttons. For example, to reheat a casserole, after selecting Reheat, select
6. See the tables on this page and the following page for details.
7. Press the START button. The microwave oven will automatically operate for the preprogrammed time.

Multi-stage cooking

1. Your oven allows you to set two different cooking stages, each with its own time length and power level. The power level lets you control the heating intensity from
2. Warm to High.
3. Follow steps 1, 2, and 3 from the “One-stage cooking” section.
4. Press the OK button to move to the second stage.
5. Follow steps 1, 2, 3, and 4 from the “One-stage cooking” section.

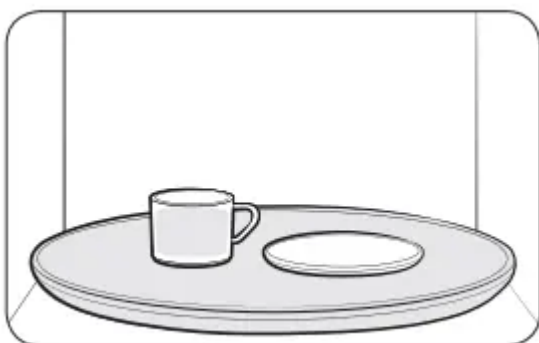
Using the soften/melt button

1. Press the Soften/Melt button.
2. Press the Up/Down buttons or numeric buttons to select the item. (Refer to the
3. Soften/Melt table below for a list of the items.)
4. Press the OK button.
5. Press the Up/Down buttons or numeric buttons to select the amount. You can cook only 1 serving using the Melt
6. Chocolate, Soften Butter, and Soften
7. Cream Cheese options. (Refer to the
8. Soften/Melt table for the serving size.)
9. Press the START button to begin cooking.

Cookware guide

Testing utensils

- If you are not sure whether a dish is microwave-safe or not, you can perform this test:
- Fill a 1 cup glass measuring cup with water and put it inside your oven, next to the dish you want to test.
- Set the microwave to 1 minute using the numeric buttons, and then press the START button. This will heat the glass and dish for one minute at High power.
- When the microwave stops, the water should be warm and the dish you are testing should be cool. If the dish is warm, then it is absorbing microwave energy and is not acceptable for use in the microwave.



Stirring

- Stir foods such as casseroles and vegetables while cooking to distribute heat evenly. Food at the outside of the dish absorbs more energy and heats more quickly, so stir from the outside to the center. The oven will turn off when you open the door to stir your food.

Arrangement

- Arrange unevenly shaped foods, such as chicken pieces or chops, with the thicker, meatier parts toward the outside of the turntable where they will receive more microwave energy.
- To prevent overcooking, place thin or delicate parts toward the center of the turntable.

Shielding

- Shield food with narrow strips of aluminum foil to prevent overcooking.
- Areas that need shielding include poultry wing-tips, the ends of poultry legs, and the corners of square baking dishes. Use only small amounts of aluminum foil. Larger amounts can damage your oven.

Turning

1. Turn foods over midway through cooking to expose all parts to microwave energy.
2. This is especially important with large items such as roasts.

Standing

- Food cooked in the microwave builds up internal heat and continues to cook for a few minutes after the oven stops. Let food stand to complete cooking, especially food such as roasts and whole vegetables. Roasts need this time to complete cooking in the center without overcooking the outer areas.
- All liquids, such as soup or hot chocolate, should be shaken or stirred when cooking is complete. Let liquids stand a moment before serving. When heating baby food, stir well and test the temperature before serving.

Adding Moisture

1. Microwave energy is attracted to water molecules. Food that is uneven in moisture content should be covered or allowed to stand so that the heat disperses evenly.
2. Add a small amount of water to dry food to help it cook.

Venting

- After covering a dish with plastic wrap, vent the plastic wrap by turning back one corner so excess steam can escape.

Cleaning and maintaining your microwave oven

Keeping your microwave oven clean improves its performance, wards off unnecessary repairs, and lengthens its life.

Cleaning the exterior

It's best to clean spills on the outside of your microwave oven as they occur. Use a soft cloth and warm, soapy water. Rinse and dry.

CAUTION: Do not get water into the vents. Never use abrasive products or chemical solvents such as ammonia or alcohol as they can damage the appearance of your microwave.

WARNING: Unplug the microwave plug before cleaning.

Cleaning under your microwave oven

Regularly clean grease and dust from the bottom of your microwave using a solution of warm water and detergent.

Cleaning the control panel

Wipe with a damp cloth and dry thoroughly. Do not use cleaning sprays, large amounts of soap and water, abrasives, or sharp objects on the panel as it is easily damaged.

Cleaning the door and door seals

Always ensure that the door seals are clean and that the door closes properly. Take particular care when cleaning the door seals to ensure that no particles accumulate and prevent the door from closing correctly. Wash the glass door with very mild soap and water. Be sure to use a soft cloth to avoid scratching.

NOTE: If steam accumulates inside or outside the oven door, wipe with a soft cloth. Steam can accumulate when you operate the oven when humidity is high and in no way indicates microwave leakage.

Cleaning the interior

To avoid injury, ensure that the microwave oven has cooled down before cleaning it.

Remove the glass tray from the oven when cleaning the oven or tray. To prevent the tray from breaking, handle it with care and do not put it in water immediately after cooking. Wash the tray carefully in warm sudsy water or in the dishwasher.

Cleaning the turntable and roller rings

Clean the roller rings periodically and wash the turntable as required. The turntable can be washed safely in your dishwasher.

Storing and repairing your microwave oven

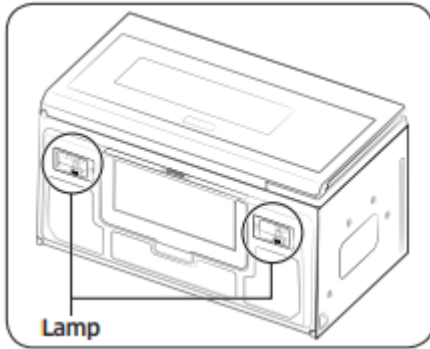
If you need to store your microwave oven for a short or extended period of time, choose a dust-free, dry location. Dust and dampness may adversely affect the functionality of the microwave parts.

WARNING: Do not repair, replace, or service any part of your microwave oven yourself. Allow only a qualified service technician to perform repairs. If the oven is faulty and needs servicing, or you are in doubt about its condition, unplug the oven from the power outlet and

contact your nearest service center. Do not use the oven if the microwave oven is damaged, in particular, if the door or door seals are damaged or the door does not close properly. This can be caused by a broken hinge, a worn out seal or distorted/bent casing. Do not remove the oven from its casing. This microwave oven is for home use only and is not intended for commercial use.

Replacing the cooktop/night light

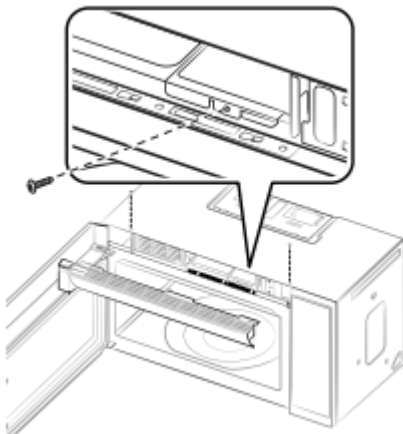
When replacing the cooktop/night light, make sure that you are wearing gloves to avoid injury from the heat of the lamp.



1. Unplug the oven or turn off the power at the main power supply.
2. Remove the screw from the light cover and lower the cover.
3. Disconnect the wire connectors.
4. Remove the screw securing the LED lamp board.
5. Replace the LED lamp board.

Replacing the oven light

When replacing the oven light, make sure that you are wearing gloves to avoid injury from the heat of the lamp.



1. Unplug the oven or turn off the power at the main power supply.

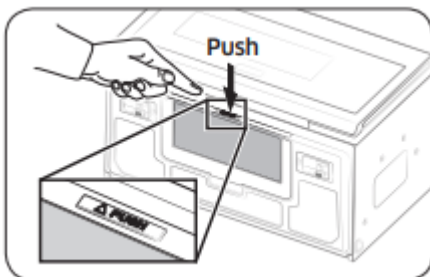
2. Open the door.
3. Remove the vent cover mounting screws (2 middle screws).
4. Slide the vent grille to the left, then pull it straight out.
5. Remove the charcoal filter, if present.
6. Remove the screw securing the lamp cover.
7. Remove the lamp by pulling it out gently.
8. Replace the lamp with a 50 watt halogen lamp.
9. Replace the lamp holder.
10. Replace the vent grille and re-insert the 2 screws.
11. Plug the oven in or turn on the power at the main power supply. Reset the clock.

Cleaning the grease filter

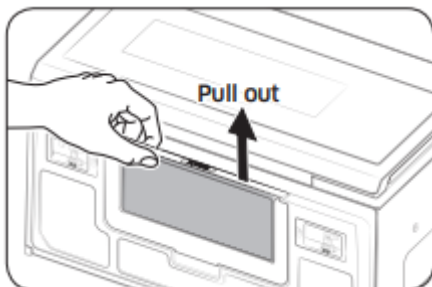
Your microwave oven has reusable grease filter. The grease filter should be removed and cleaned at least once a month or as required. To order a new grease filter, contact Samsung Parts at 1-800-627-4368 or your Samsung dealer. You can also order online at www.samsungparts.com.

WARNING: To avoid the risk of personal injury or property damage, do not operate the oven hood without the filter in place.

1. To remove the filter, push the front of the grease filter case where it says "PUSH".

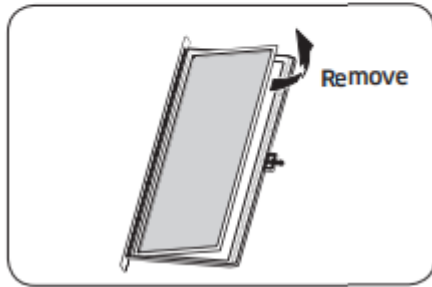
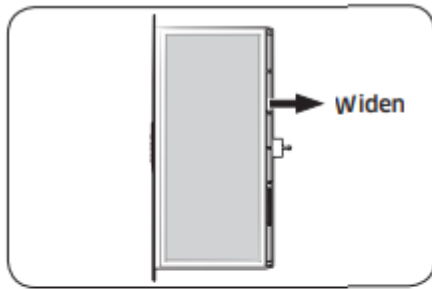


2. Pull the filter case out of the microwave oven.

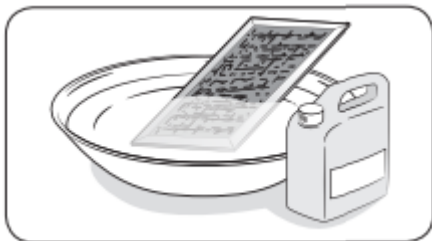


3. Remove the filter from the filter case by widening the case, as shown below. Then, soak the grease filter in hot water mixed with a mild detergent. Rinse well and shake to dry. If

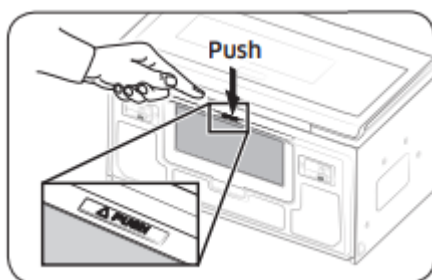
necessary, brush the filter lightly to remove embedded dirt. When the filter is dry, put it back in the filter case.



WARNING: Do not use ammonia or put the grease filter in the microwave oven to dry. The aluminum will darken.

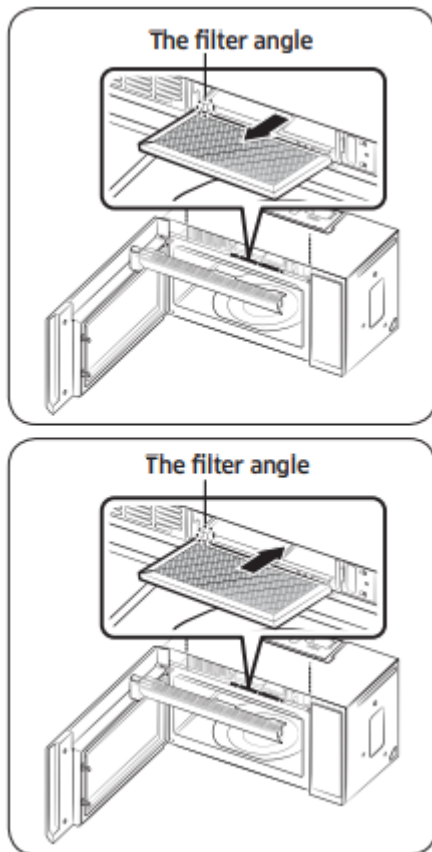


4. To re-insert the filter into the microwave oven, slide the filter case into the frame slot, and then push it inside.



Replacing the charcoal filter

If your oven is vented to the inside, the charcoal filter should be replaced every 6 to 12 months and more often if necessary. The charcoal filter cannot be cleaned.



1. Unplug the oven or turn off the power at the main power supply.
2. Open the door.
3. Remove the vent grille mounting screws (2 middle screws).
4. Slide the vent grille to the left, then pull it straight out. 5. Push the hook and remove the old filter.
5. Slide a new charcoal filter into place. The filter should rest at the angle shown.
6. Replace the vent grille and 2 screws, and then close the door. Plug the oven in or turn on the power at the main power supply. Reset the clock.

Troubleshooting

Check points

If you encounter a problem with your oven, first check the tables starting below and try the recommendations. If a problem persists, or if an information code keeps appearing on the display, contact a local Samsung service center.

Problem	Cause	Action
General		
The buttons cannot be pressed properly.	Foreign matter may be caught between the buttons.	Remove the foreign matter and try again.
	For touch models: Moisture is on the exterior.	Wipe the moisture from the exterior.
	The Child Lock is activated.	Deactivate the Child Lock.
The time is not displayed.	Power is not supplied.	Make sure power is supplied. Confirm the microwave is plugged in. Check your fuses or circuit breakers.
	The Eco (power-saving) function is set.	Turn off the Eco function.
The oven does not work.	Power is not supplied.	Make sure power is supplied. Confirm the microwave is plugged in. Check your fuses or circuit breakers.
	The door is open.	Close the door and try again.
	The door open safety mechanisms are covered by foreign matter.	Remove the foreign matter and try again.
The oven stops while in operation.	The user has opened the door to turn food over.	After turning over the food, press the START button again to start operation.
The power turns off during operation.	The oven has been cooking for an extended period of time.	After the oven has cooked for an extended period of time, let the oven cool.

	The cooling fan is not working.	Listen for the sound of the cooling fan.
	Trying to operate the oven without food inside.	Put food in the oven.
	There is not enough ventilation space around the oven.	There are intake/exhaust outlets on the front and rear of the oven for ventilation. Check the installation guide and make sure that the microwave is far enough away from walls and cabinets for proper ventilation.
	Several appliances or devices are plugged into the same outlet.	Unplug all other appliances or devices from the outlet.
There is no power to the oven.	Power is not supplied.	Make sure power is supplied. Confirm the microwave is plugged in. Check your fuses or circuit breakers.
There is a popping sound during operation, and the oven doesn't work.	Cooking food in a sealed container or using a container with a tight lid.	Do not cook food in sealed containers or in containers with tight lids. Expanding steam from the cooking food can cause the containers to burst or the lids to pop off.
The oven exterior gets too hot during operation.	There is not enough ventilation space around the oven.	There are intake/exhaust outlets on the front and rear of the oven for ventilation. Check the installation guide and make sure that the microwave is far enough away from walls and cabinets for proper ventilation.
	Objects are on top of the oven.	Remove all objects on the top of the oven.

<p>The door cannot be opened properly.</p>	<p>Food residue is stuck between the door and oven interior.</p>	<p>Clean the oven the door.</p>
<p>The oven does not heat.</p>	<p>The oven may not work if too much food is being cooked or improper cookware is being used.</p>	<p>To test the oven, put one cup of water in a microwave-safe container, put the container in the oven, and then run the microwave for 1-2 minutes to check whether the water is heated. If the water is heated, reduce the amount of food and start the function again. Use a cooking container with a flat bottom.</p>
<p>Heating is weak or slow.</p>	<p>The oven may not work if too much food is being cooked or improper cookware is being used.</p>	<p>To test the oven, put one cup of water in a microwave-safe container, put the container in the oven, and then run the microwave for 1-2 minutes to check whether the water is heated. If the water is heated, reduce the amount of food and start the function again. Use a cooking container with a flat bottom.</p>
<p>The warm function does not work.</p>	<p>The oven may not work if too much food is being warmed or improper cookware is being used.</p>	<p>To test the oven, put one cup of water in a microwave-safe container, put the container in the oven, and then run the microwave for 1-2 minutes to check whether the water is heated. If the water is heated, reduce the amount of food and start the function again. Use a cooking container with a flat bottom.</p>



<p>The thaw function does not work.</p>	<p>The oven may not work if too much food is being thawed or improper cookware is being used.</p>	<p>To test the oven, put one cup of water in a microwave-safe container, put the container in the oven, and then run the microwave for 1-2 minutes to check whether the water is heated. If the water is heated, reduce the amount of food and start the function again. Use a cooking container with a flat bottom.</p>
<p>The interior light is dim or does not turn on.</p>	<p>The door has been left open for a long time.</p>	<p>The interior light may automatically turn off when the Eco function operates. Close and reopen the door or press the STOP/CLEAR button.</p>
	<p>The interior light is covered by foreign matter.</p>	<p>Clean the inside of the oven and check again.</p>
<p>A beeping sound occurs during cooking.</p>	<p>If the Auto Cook function is being used, this beeping sound means it's time to turn over the food.</p>	<p>After turning over the food, press the START button again to restart operation.</p>
<p>The oven is not level.</p>	<p>The oven is installed on an uneven surface.</p>	<p>Make sure the oven is installed on flat, stable surface.</p>
<p>There are sparks during cooking.</p>	<p>Metal containers are used during cooking or thawing.</p>	<p>Do not use metal containers.</p>
<p>When power is connected, the oven immediately starts to work.</p>	<p>The door is not properly closed.</p>	<p>Close the door and check again.</p>
<p>There is electricity coming from the oven.</p>	<p>The power source or power outlet is not properly grounded.</p>	<p>Make sure the power source and power outlet are properly grounded.</p>

There is water dripping.	Water or steam may be generated by the cooking or defrosting process, depending on the food. This is not an oven malfunction.	Let the oven cool and then wipe with a dry dish towel.
There is steam coming through a crack in the door.	Water or steam may be generated by the cooking or defrosting process, depending on the food. This is not an oven malfunction.	Let the oven cool and then wipe with a dry dish towel.
There is water left in the oven.	Water or steam may be generated by the cooking or defrosting process, depending on the food. This is not an oven malfunction.	Let the oven cool and then wipe with a dry dish towel.
The brightness inside the oven varies.	Changes in brightness reflect changes in power output. Power output changes depending on the functions in use.	Power output changes during cooking are not malfunctions.
Cooking is finished, but the cooling fan is still running.	To ventilate the oven, the cooling fan continues to run for about 3 minutes after cooking is complete.	This is not an oven malfunction.
Pressing the START button operates the oven.	This happens when the oven is not operating.	The microwave oven is designed to start operating when you press the START button if it was not operating.
Turntable		
While turning, the turntable comes out	There is no roller ring, or the roller ring is not properly in place.	Install the roller ring properly and then try again.

of place or stops turning.		
The turn table drags while turning.	The roller ring is not properly in place, there is too much food, or the container is too large and touches the inside of the microwave.	Install the roller ring properly. Adjust the amount of food. Do not use containers that are too large.
The turn table rattles while turning and is noisy.	Food residue is stuck to the bottom of the oven.	Remove any food residue stuck to the bottom of the oven.

Information codes

If the microwave oven fails to operate, you may see an information code on the display. Check the table below for the code, and then follow the directions.

Code	Description	Action
C-10	The GAS sensor is open.	Unplug the power cord of the oven, and then contact a local Samsung service center.
	The GAS sensor is shorted.	
C-F0	The microwave has sensed an internal communications failure.	Unplug the power cord of the oven, and then contact a local Samsung service center.
C-F2	A touch button has malfunctioned.	Press STOP/CLEAR, and then try the button again.

Specifications

Model	ME21M706BA*/AA	ME21M706BA*/AC
Oven Cavity	2.1 cu ft	
Controls	10 power level, including Defrost	
Timer	99 minutes, 99 seconds	
Power Source	120 VAC, 60 Hz	
Power Consumption	1700 Watt Microwave	1500 Watt Microwave
Microwave Power Output	1000 Watts	950 Watts
Cook Top Light	LED lamp (2 EA)	
Oven Light	50 Watt halogen lamp	
Oven Cavity Dimensions (inches)	22 1/8" (W) x 10 13/16" (H) x 14 27/32" (D)	
Outside Dimensions (inches)	29 7/8" (W) X 17 1/2" (H) X 16 1/2" (D)	
Shipping Dimensions (inches)	33 11/32" (W) X 20 25/32" (H) X 19 3/8" (D)	
Net/Shipping Weight	60 lbs. / 67.2 lbs. (27.2 kg / 29.4 kg)	

Warning

This content is compiled from multiple sources and is provided for reference purposes only. It may not be complete or fully applicable to all situations. If you are unable to resolve your issue, please contact the product manufacturer or an authorized service provider for official support.

