

Before installation

Read through the following instructions before installing the dryer, and keep this manual for future reference.

WARNING: Certain internal parts are intentionally not grounded and may present a risk of electric shock only during servicing. Service Personnel - Do not contact the following parts while the appliance is energized: Control board, Motor, Drain pump.

Key installation requirements

- A grounded electrical outlet.
- A power cord for electric dryers (except in Canada).
- A sink or drain pipe if you want to drain the water captured during drying through the supplied long drain hose.

WARNING: Remove the door from all discarded appliances to prevent a child from suffocating.

Location considerations

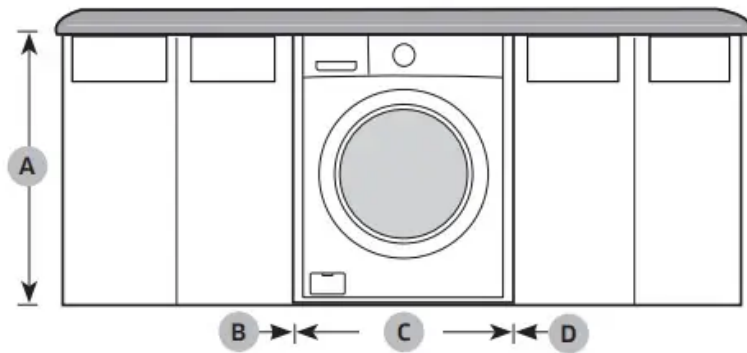
- Adequate clearances between the dryer and adjacent walls or other surfaces.
- Adequate air circulation for ventilation.
- Away from water and weather.

WARNING

- Keep the dryer area clear of combustible materials, gasoline, and other flammable vapors and liquids.
- Do not install other fuel-burning appliances around or in the same place as the dryer.
- Place dryer at least 18 in (460 mm) above the floor for a garage installation.

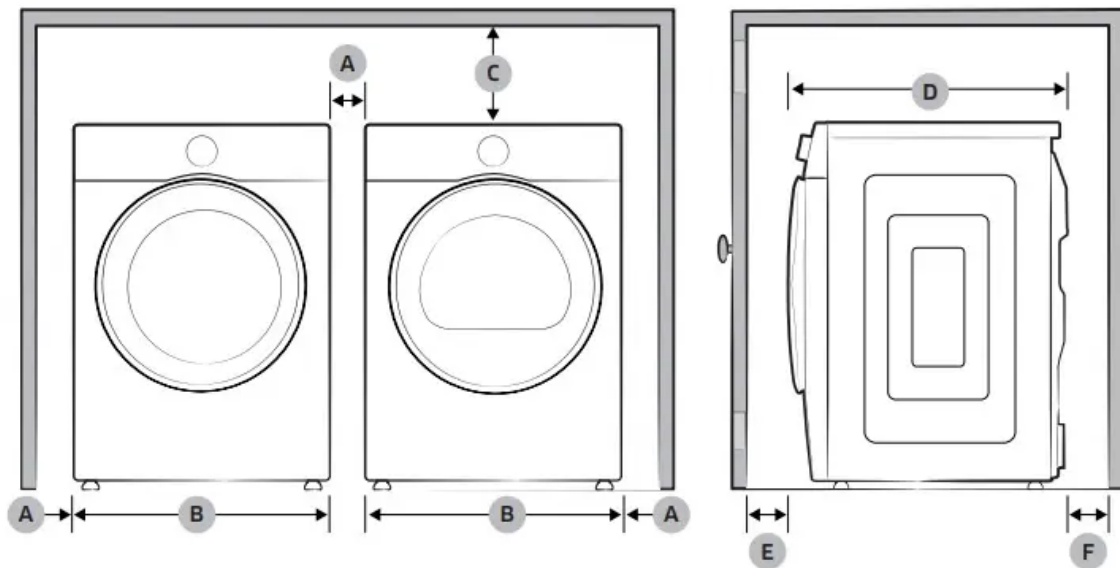
Alcove or closet installation Minimum clearances between the dryer and adjacent walls or other surfaces are: 1" (25 mm) in front, 1" (25 mm) on top, 1"(25 mm) on either side, and 2" (50 mm) in the back. The closet front must have two unobstructed air openings for a combined minimum total area of 72 in² (465 cm²) with 1" (2.5 cm) minimum clearance on the top and bottom. A louvered door with equivalent space clearance is acceptable.

Undercounter installation



A	34.4 in. (875 mm)	C	23.6 in. (600 mm)
B	1 in. (25 mm)	D	1 in. (25 mm)

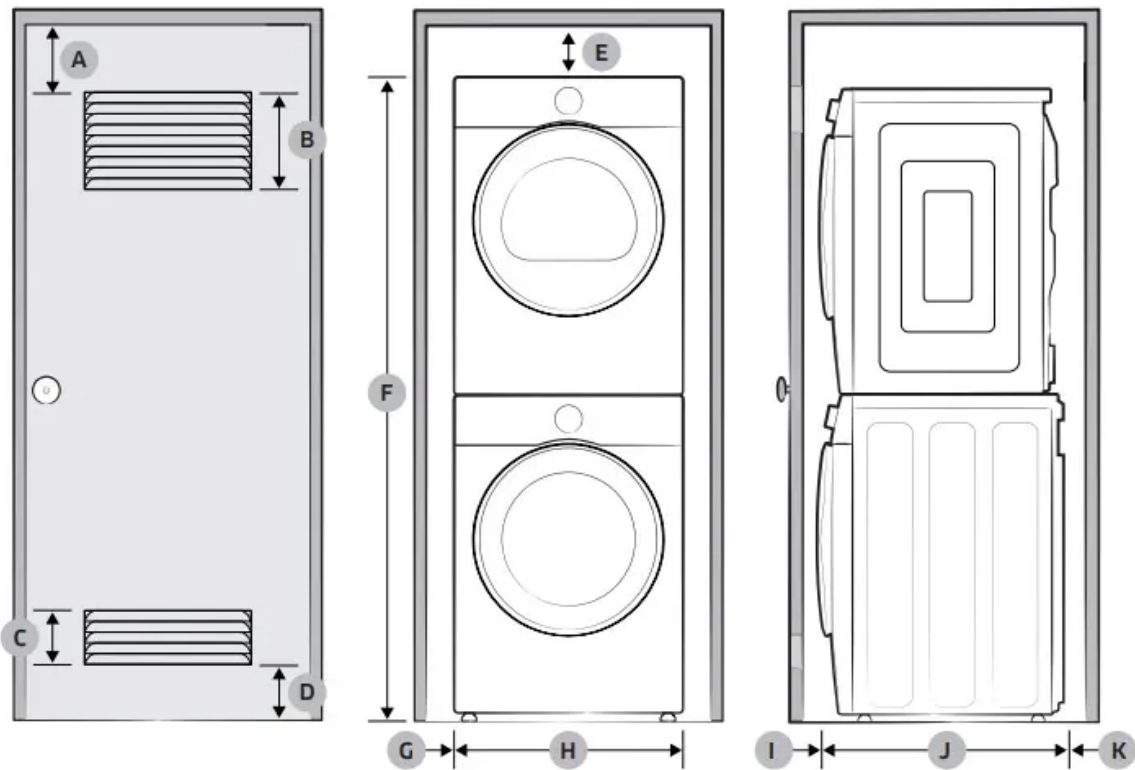
Side by side installation



A*	1 in. (25 mm)	D	25.6 in. (650 mm)
B	23.6 in. (600 mm)	E	1 in. (25 mm)
C	1 in. (25 mm)	F	2 in. (50 mm)

* This Clearance is not applicable to standalone dryer.

Stacked installation (Model: SK-DH)



A	3 in. (76 mm)	G	1 in. (25 mm)
B	48 in ² . (310 mm ²)	H	23.6 in. (600 mm)
C	24 in ² . (155 mm ²)	I	1 in. (25 mm)
D	3 in. (76 mm)	J	27.1 in. (688 mm)
E	6 in. (152 mm)	K	2 in. (50 mm)
F	67 in. (1702 mm)		

WARNING: Samsung's washers and dryers can be stacked to maximize usable space. You can purchase an optional stacking kit from your Samsung retailer.

Electrical requirements

The wiring diagram is located on the plate under the control panel or rear frame.

WARNING

- Improperly connecting the equipment grounding conductor can result in a risk of electric shock. Check with a qualified electrician or serviceman if you are in doubt as to whether your dryer is properly grounded. Do not modify the plug provided with your dryer – if it doesn't fit the outlet, have a proper outlet installed by a qualified electrician.
- To prevent unnecessary risk of fire, electrical shock, or personal injury, all wiring and grounding must be done in accordance with local codes, or in the absence of local codes, in accordance with the National Electrical Code, ANSI/ NFPA No. 70-Latest

Revision (for the U.S.) or the Canadian Electrical Code CSA C22.1 – Latest Revisions and local codes and ordinances. It is your responsibility to provide adequate electrical service for your dryer.

Grounding

This dryer must be grounded. In the event of a malfunction or breakdown, the ground will reduce the risk of electrical shock by providing a path of least resistance for the electrical current.

WARNING

- Your dryer has an optional cord with an equipment-grounding conductor and a grounding plug. This cord is sold separately.
- The plug must be plugged into an appropriate outlet that is properly installed and grounded in accordance with all local codes and ordinances.
- Do not modify the plug provided with your dryer – if it doesn't fit the outlet, have a proper outlet installed by a qualified electrician.
- If a power cord is not used and the electric dryer is to be permanently wired, the dryer must be connected to a permanently grounded metal wiring system, or an equipment grounding conductor must be run with the circuit conductors and connected to the equipment grounding terminal or lead on the dryer.

Electrical connections:

- Before operating or testing, follow all grounding instructions in the “Grounding” section. An individual branch (or separate) circuit serving only your dryer is recommended.
- Do not use an extension cord.
- U.S. only: Most U.S. dryers require a 240 volt, 60 Hz AC approved electrical service. Some require 208 volt, 60 Hz approved electrical service. The electric service requirements can be found on the data label located behind the door. A 30-ampere fuse or circuit breaker on both sides of the line is required.
 - If a power cord is used, the cord should be plugged into a 30-ampere receptacle.
 - The power cord is not provided with U.S. electric model dryers. This cord is sold separately.
- **WARNING: Risk of Electric Shock** When local codes allow, you can connect the dryer's electrical supply with a new power supply cord kit, marked for use with a dryer, that is U.L. listed and rated at a minimum of 240 volts, 30-amperes with three No. 10 copper

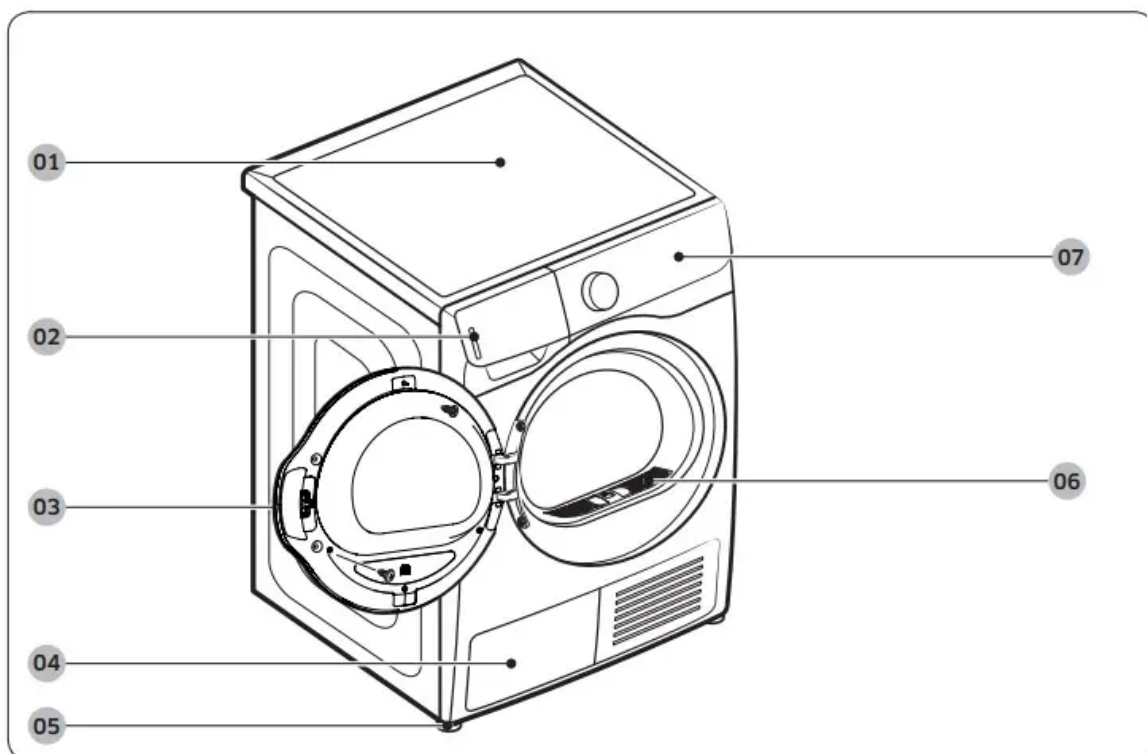
wire conductors terminated with closed loop terminals, open-end spade lugs with turned up ends, or with tinned leads.

- Do not reuse a power supply cord from an old dryer. The power cord electric supply wiring must be supported at the dryer cabinet by a suitable UL-listed strain relief.
 - Grounding through the neutral conductor is prohibited for (1) new branch-circuit installations, (2) mobile homes, (3) recreational vehicles, and (4) areas where local codes prohibit grounding through the neutral conductor. (Use a 4-prong plug for a 4 wire receptacle, NEMA type 14-30R.)
- Canada Only
 - A 240 volt, 60 Hz AC approved electrical service fused through a 30-ampere fuse or circuit breaker on both sides of the line is required.
 - All Canadian models are shipped with the power cord attached. The power cord should be plugged into a 30-ampere receptacle.
- NOTE: In Canada, you may not convert a dryer to 208 volts.

Installation

What's included: Carefully unpack the dryer. Keep all packaging materials away from children. The parts and location of parts shown below may differ from your dryer. Before installation, make sure the dryer has all the parts listed here. If the dryer and/or parts are damaged or missing, contact the nearest Samsung customer service center.

Dryer at a glance



01 Top cover

03 Door

05 Levelling Leg

07 Control Panel

02 Water Tank

04 Heat exchanger

06 Lint filter

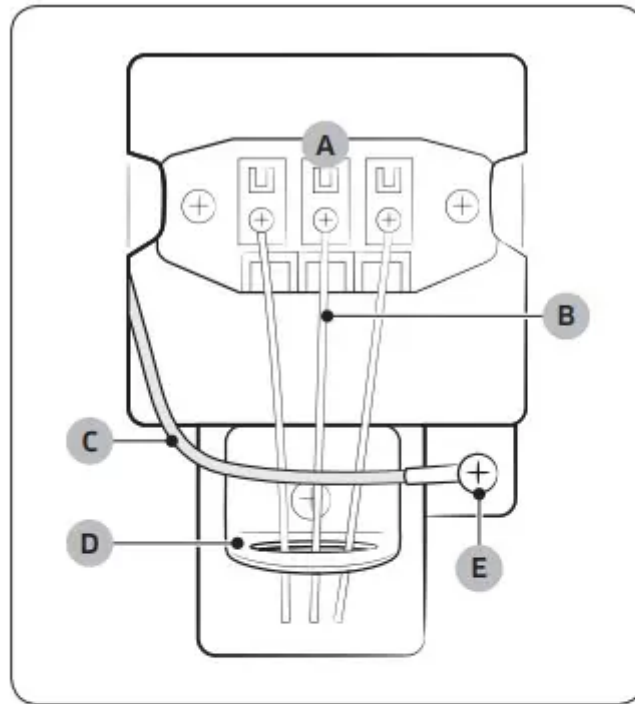
Step-by-step installation

Make sure you have a qualified technician install the dryer. Step by step installation instructions start below.

STEP 1 Connect the electrical wiring

- First, read through the “Electrical requirements” section, and then follow the instructions on this page or the next page. Instructions for a 3-wire system are on this page. Instructions for a 4-wire system are on the next page.

For a 3-wire system



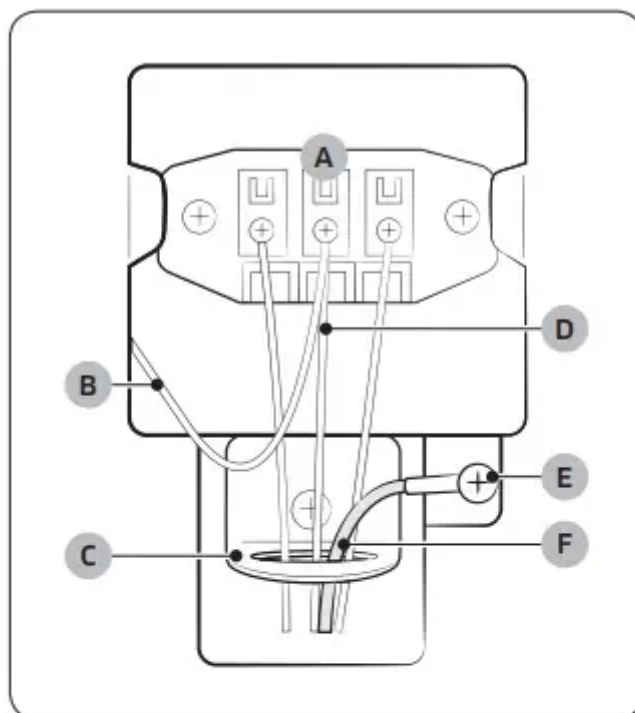
- A.** Center silver-colored terminal block screw
- B.** Neutral wire (white or center wire)
- C.** Neutral grounding wire (white or green/yellow)
- D.** $\frac{3}{4}$ " (1.9 cm) UL-listed strain relief
- E.** External ground connector

1. Loosen or remove the screws from the center terminal block.
2. Connect the neutral wire (white or center wire) of the power cable to the center, silver-colored terminal screw of the terminal block. Tighten the screws.
3. Connect the other wires to outer terminal block screws. Tighten the screws.
4. Tighten the strain relief screws.
5. Insert the terminal block cover into the rear panel of the dryer. Then, secure the cover with a hold-down screw.

CAUTION

- To convert from the 4-wire system to 3-wire system, connect the ground strap to the terminal block support to ground the dryer frame to the neutral conductor.
- Ring-type terminals are recommended. If using strap terminals, make sure they are tightened.

For a 4-wire system



- A.** Center silver-colored terminal block screw
- B.** Neutral grounding wire (white or green/yellow)
- C.** $\frac{3}{4}$ " (1.9 cm) UL-listed strain relief
- D.** Neutral wire (white or center wire)
- E.** External ground connector
- F.** Green or bare copper wire of power cord

1. Remove the external ground connector's screw, and connect the ground wire (green or unwrapped) of the power cable to the screw. Loosen or remove the screws from the center terminal block.
2. Connect the neutral wire (white or center wire) and ground wire (white) to the center, silver-colored terminal screw of the terminal block. Tighten the screw.
3. Connect the other wires to the outer terminal block screws. Tighten the screws.
4. Tighten the strain relief screws.
5. Insert the tab of the terminal block cover into the rear panel of the dryer. Then, secure the cover with a holddown screw.

WARNING

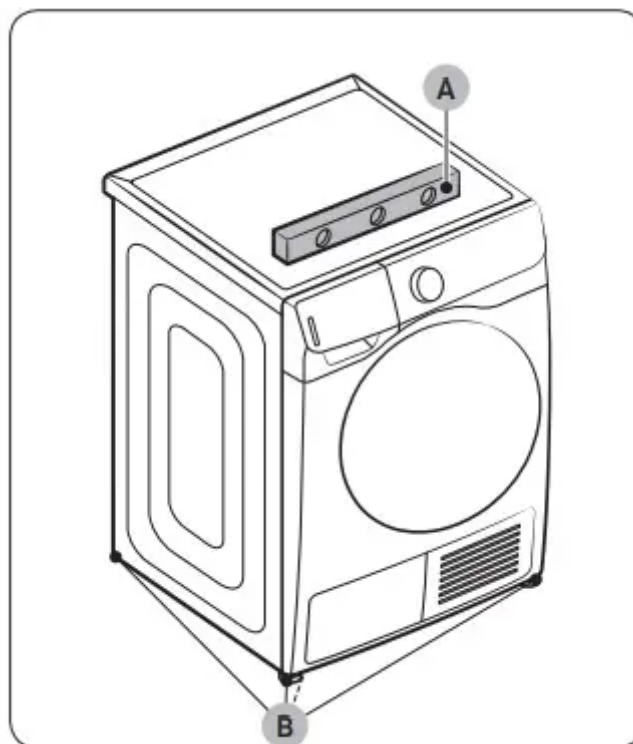
- All U.S. models are designed for a 3-wire system connection. The dryer frame is grounded to the neutral conductor at the terminal block. A 4-wire system connection is

required for new or remodeled construction, mobile homes, or if local codes do not permit grounding through neutral. If you use the 4-wire system, you cannot ground the dryer frame to the neutral conductor at the terminal block.

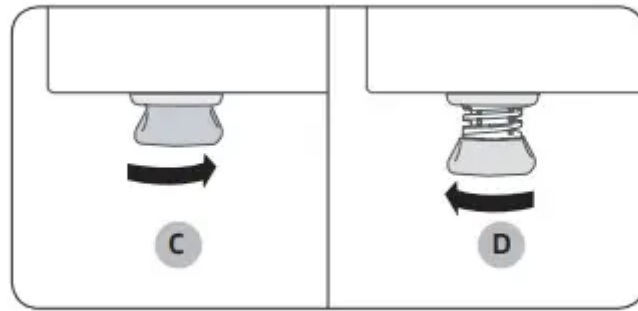
- Remove the terminal block cover plate.
- Insert the power cord with a UL-listed strain relief through the hole provided in the cabinet near the terminal block.
- A strain relief must be used.
- Do not loosen the nuts already installed on the terminal block. Be sure they are tight.
- Use a 3/8" (1 cm) deep well socket.

STEP 2 Level the dryer

Before you install the dryer, make sure you have read the Installation requirements on page 9. Please note that the following instructions are for installation without using a drain hose. For instructions on using a drain hose, see the next section, Drain hose (if necessary) on page 20. For convenience, consider installing the dryer next to your washer.



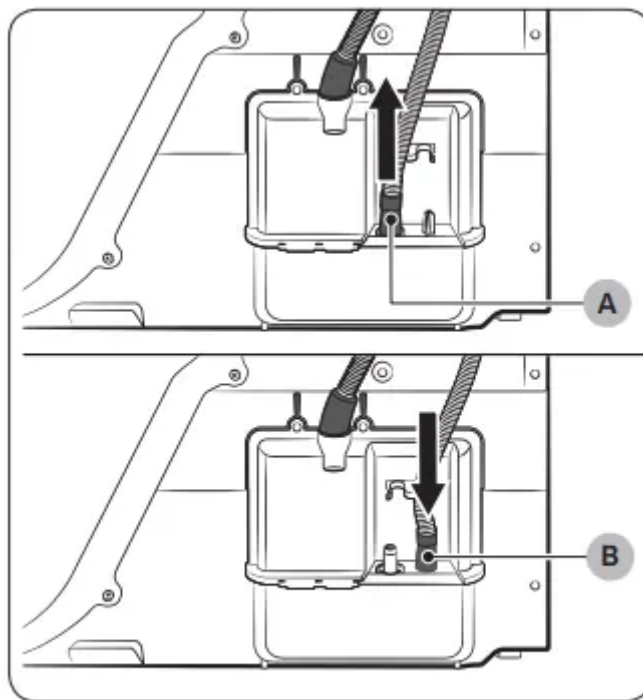
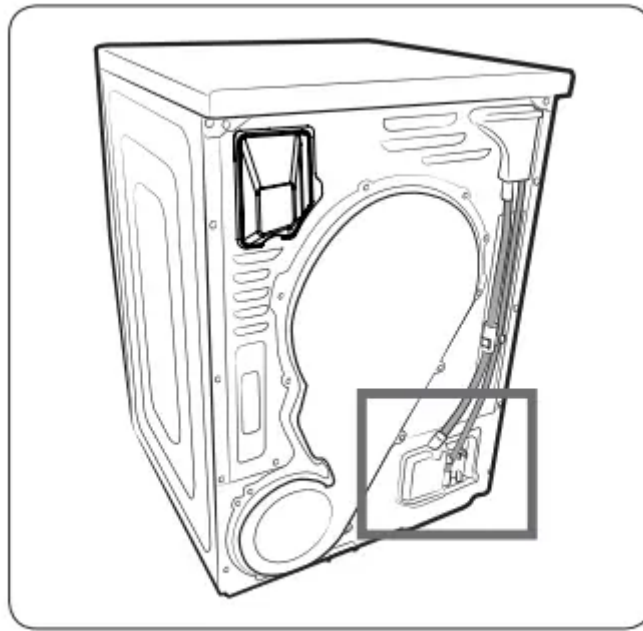
1. Carefully move the dryer to the desired location.
2. Use a level (A) and check the levelness of the dryer from side to side and front to back.
3. If the dryer is not level, adjust the levelling legs (B). Turning a leg counterclockwise retracts the leg. Turning a leg clockwise extends the leg.
4. Once the dryer is level, make sure the dryer stands firmly on the floor.
5. Plug in the dryer.



NOTE

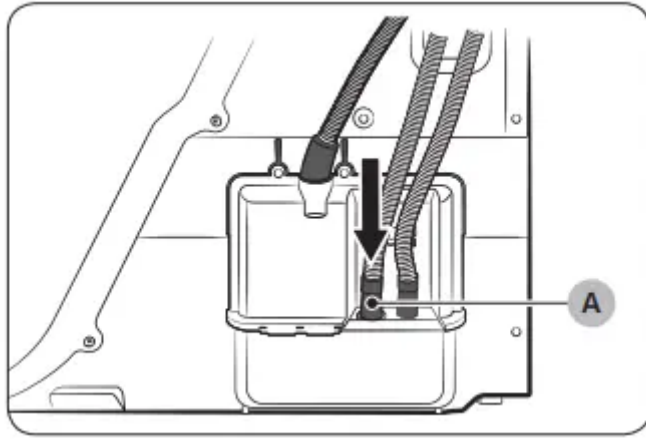
- The dryer can be levelled using either or both of the front and rear legs of the dryer.
- To set the dryer to the same height as the washer, fully retract (C) the levelling legs by turning them counter clockwise, then loosen (D) the legs by turning them clockwise.
- Extend the levelling leg only as much as necessary. Extending the levelling leg more than necessary can cause the dryer to vibrate.

Drain hose (if necessary)



Important: This dryer comes with a built in water tank that stores water captured by the dryer from drying clothes. The water tank must be emptied manually before or after each load. See page 45. However, you can install the provided long drain hose as described below and have the water empty directly into a nearby sink or drain pipe automatically.

1. Remove the drain hose from hole (A), and insert it into hole (B).

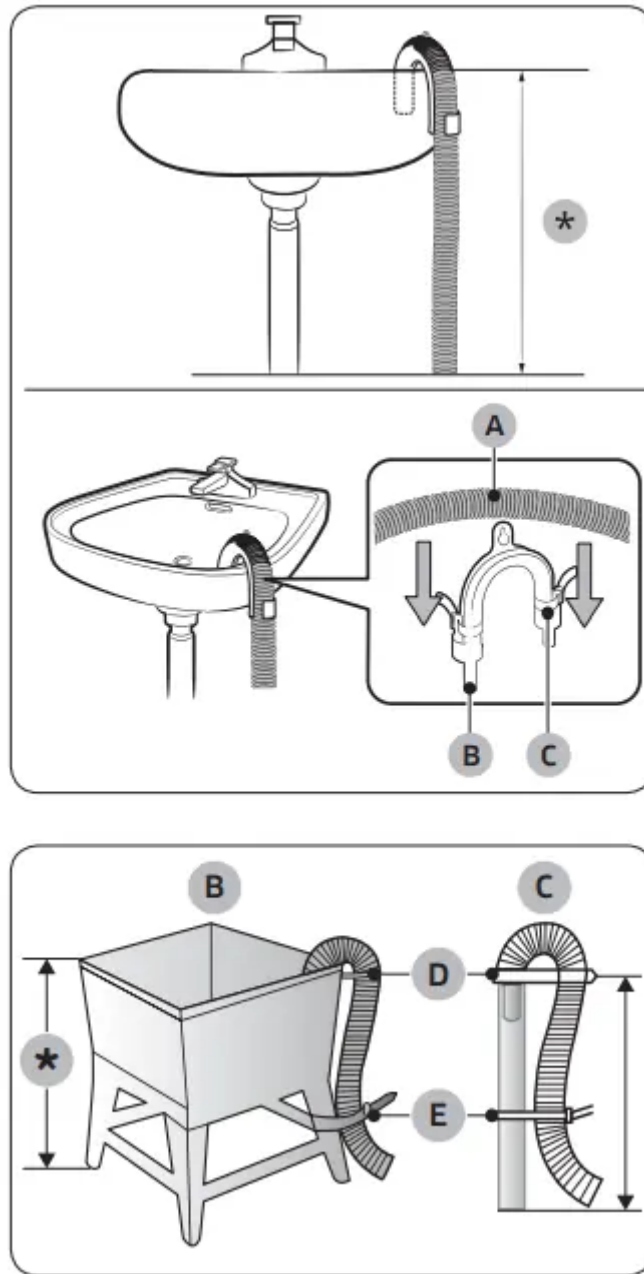


2. Insert one end of the accessory hose (the long drain hose) into hole (A).

3. Position the other end (the outlet) over a laundry sink or connect it to the drain pipe of a laundry sink. See the instructions below or on the next page.

Over a laundry sink:



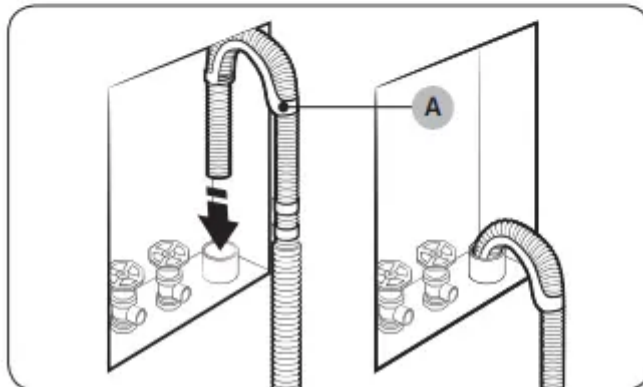
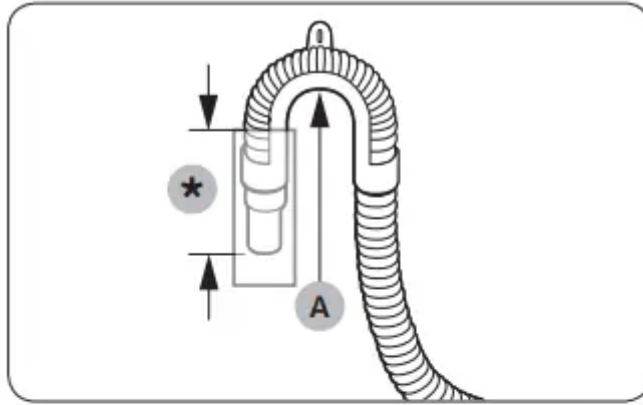


1. Make sure to place the end of the accessory hose no more than 3 ft. (90 cm) above the bottom of dryer.
2. To bend the accessory hose so that it hooks over the edge of the sink, use the supplied plastic hose guide (B) and secure the guide to the wall with a hook or to the tap with a piece of string. Assemble the drain hose (A) and the hose guide (B) and fix them with the cable-tie (C).

CAUTION: Do not extend the drain hose by connecting another hose to it. Water can leak from the connected area. If you need more length, use a longer drain hose.

In a standpipe or laundry tub: The laundry tub (B) or standpipe (C) must be no higher than 35.4 In (90 cm). Make sure the drain hose and the standpipe are not airtight.

NOTE D: Hose retainer / E: Tie straps

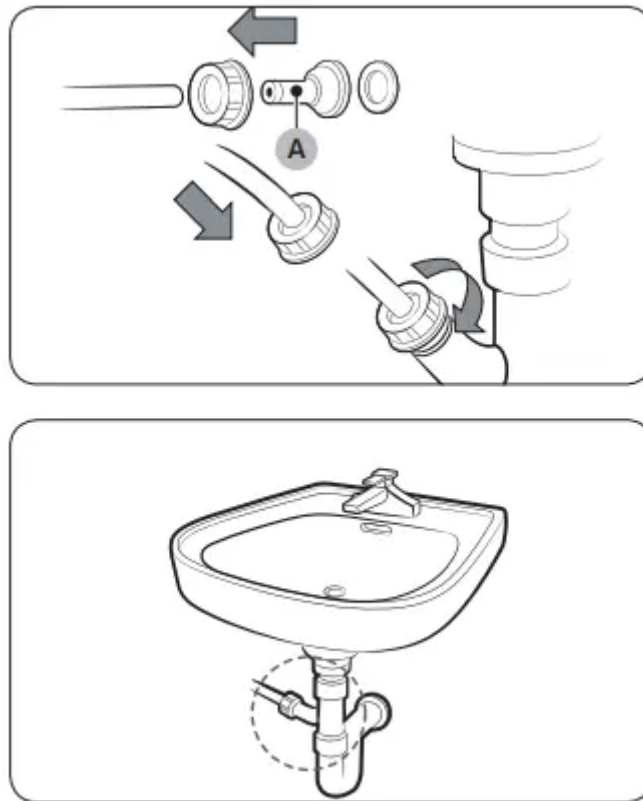


CAUTION

- Connect the hose guide (A) within 6 in. (15 cm)* of the end of the drain hose. If the drain hose is extended beyond the end of the hose guide, mold or microorganisms could spread inside the dryer.
- The drain hose can be installed up to 35.4 in. (90 cm) high, but the draining capability can be reduced at the maximum height. Too much water remaining in Dryer may cause malfunction.

Wall standpipe drain system: The drain hose can be placed into a wall standpipe drain system. To keep the end of the drain hose bent, use the supplied hose guide (A). Secure the guide to the wall using a hook to ensure stable drainage.

By using the drain pipe of the laundry sink:



1. Assemble the hose connector (A), and attach it to the end of the accessory hose as shown. **CAUTION** To prevent water leaks, make sure to connect the hose and the connector firmly.
2. Connect the hose adaptor directly to the drain pipe of the laundry sink.

Installation checklist

- The dryer is plugged into a properly grounded outlet.
- All packaging material is completely removed and properly disposed.
- The dryer is level and standing firmly on the floor.
- The long drain hose is installed if you want water captured by the drying process drained automatically.
- Start the dryer to make sure that it runs, heats, and shuts off.
- Run a TIME DRY cycle for 20 minutes to see if the HC information code is displayed. If this is the case, contact a local service center.
- After installation, we recommend that you wait at least 1 hour before using the dryer.

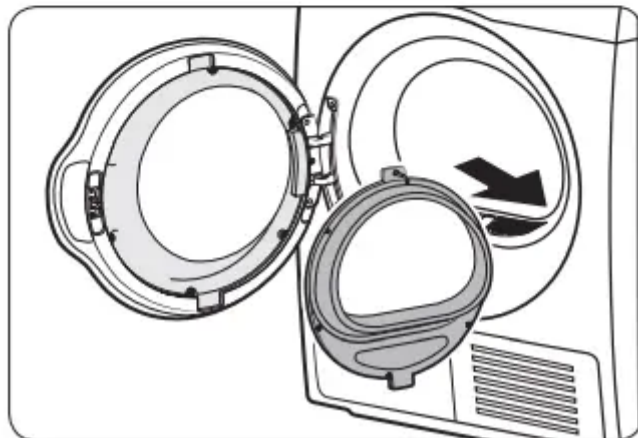
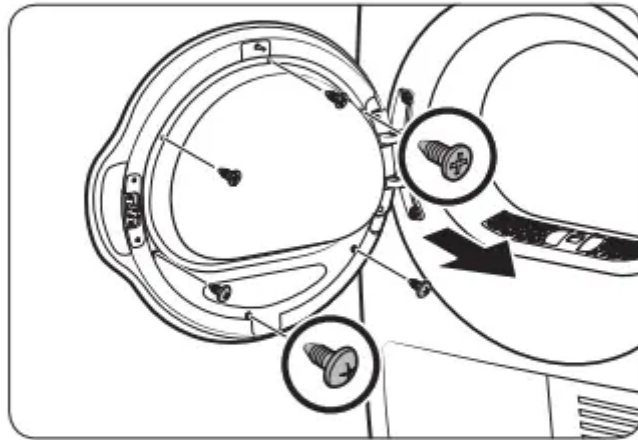
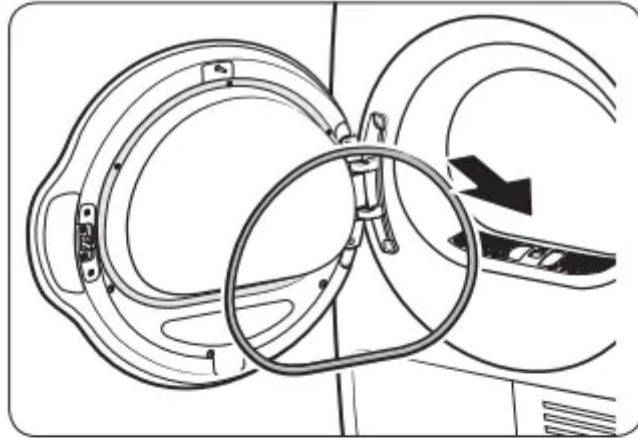
Before using the dryer

- Make sure no accessory remains inside the drum.
- Plug in the power cord just before operating the dryer.
- Do not block the air inlet hole of the cooling grill at the front of the dryer.

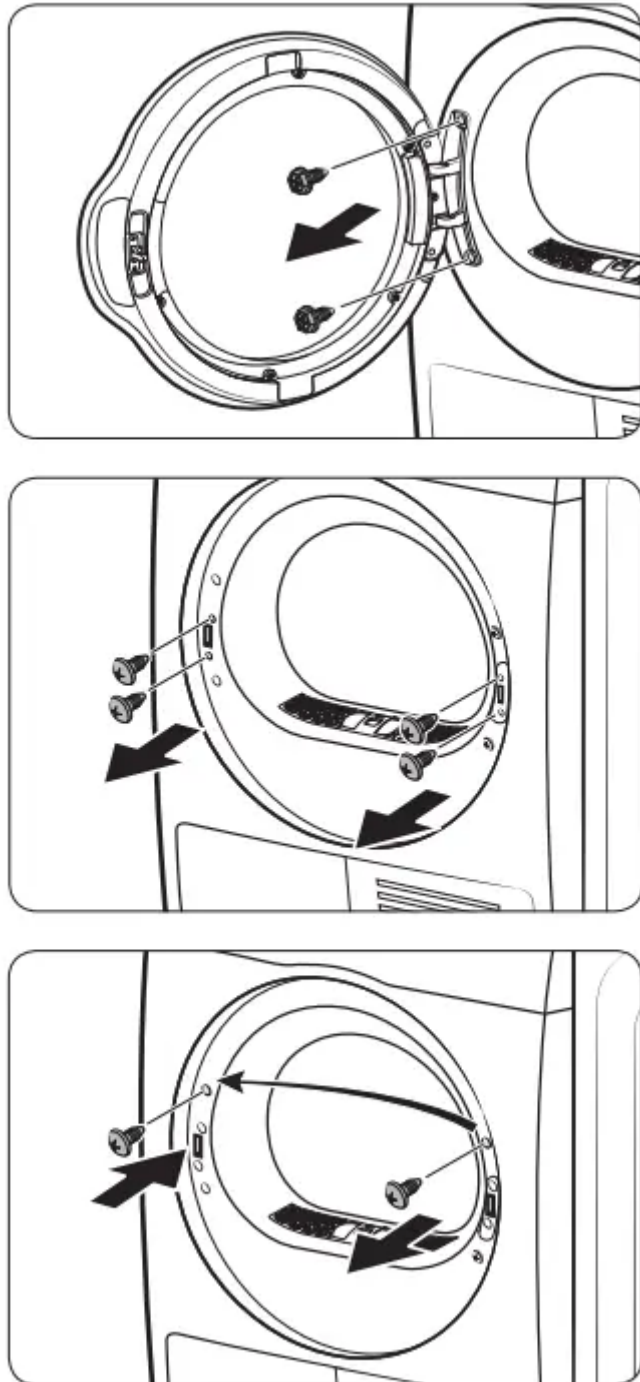
- Do not place flammable objects near the dryer and keep the surrounding area clean.
- Keep the dryer level with the ground.
- Do not remove the adjustable levelling legs of the dryer. They are necessary to keep the dryer level.

Switching the door position

To reverse the direction of the door, we recommend that you contact a qualified technician and have the technician follow the directions below.

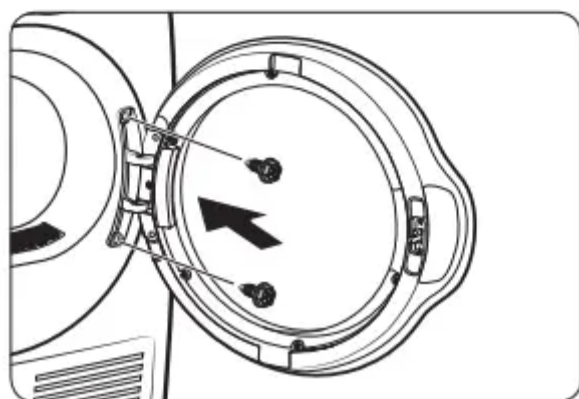
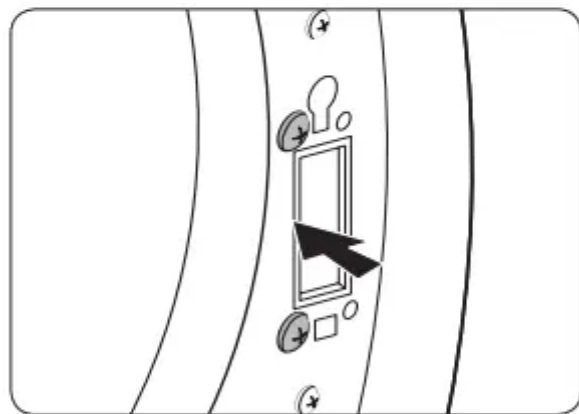
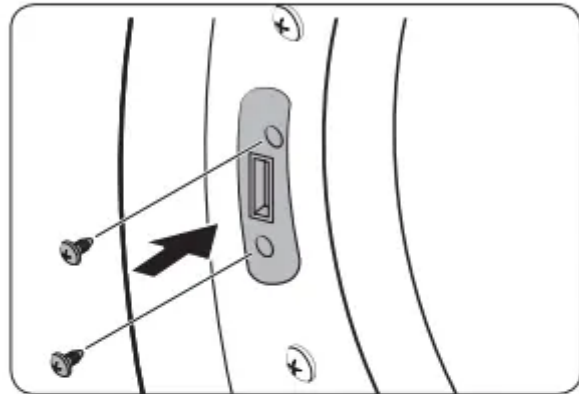
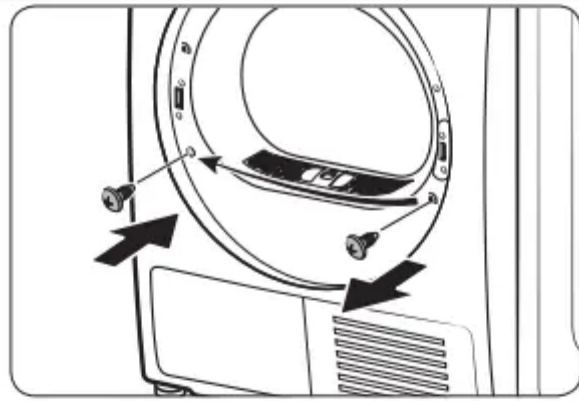


1. Remove the door packing from the door.
2. Remove the screws on the inner glass holder of the door. - Loosen and remove the 3 screws on the top and 3 screws on the bottom.
3. Detach the glass holder. CAUTION Be careful not to drop any part of the holder when detaching it. Property damage (cracks or breaks) or physical injury may occur.



4. Remove the hinge screws, and then detach the door.
 - Loosen and remove the 2 bolts on the door frame.

- To prevent abrasion on the bolts, use a hex screwdriver.
5. Remove the 2 holder screws on the left frame, and then remove the 2 bracket screws on the right frame.
 6. Remove the upper screw on the right of the door frame, and then insert it in the corresponding left hole of the door frame. Do not remove the lower bracket screws.



7. Remove the bottom screw on the right frame, and then insert it in the corresponding hole on the left frame.

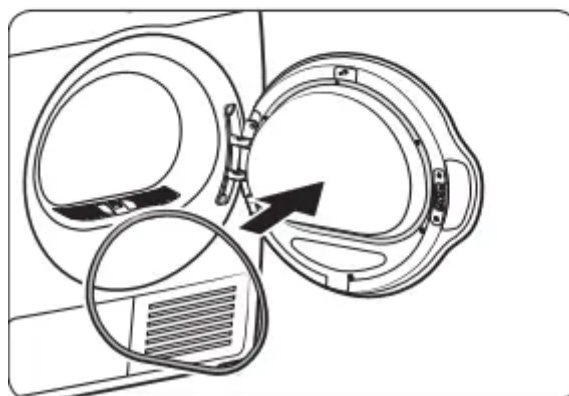
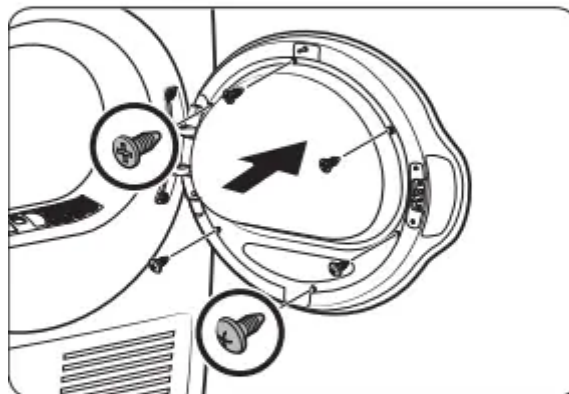
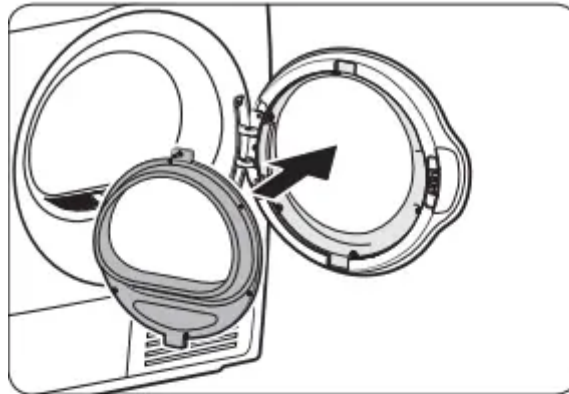
8. Insert the 2 removed bracket screws in the left frame as shown.

- See the figure on the left for the correct position of the screws.

9. Insert the 2 removed holder screws in the right frame as shown.

- See the figure on the right for the correct position of the screws.

10. Insert the door hinge in the opposite position of the door frame, and then, tighten the 2 bolt screws.



11. Insert the inner glass holder in the door cover that has been installed on the right frame.

12. Tighten the 3 screws on the top and 3 screws on the bottom.

13. Attach the door packing to the door.

Before you start

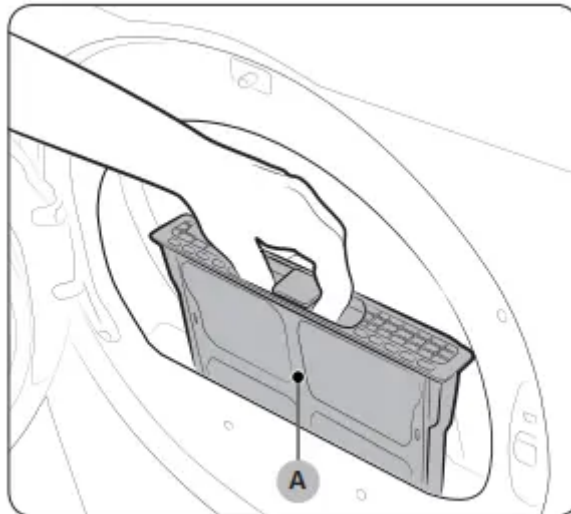
Here are a few things you should know before starting your dryer.

Sort and load

- Put one wash load in the dryer at a time.
- Do not mix heavy and lightweight items together.
- To improve drying efficiency for one or two items, add a dry towel to the load.
- For best results, untangle items before inserting them into the dryer.
- Overloading reduces the tumbling action, resulting in uneven drying and wrinkling and longer drying time.
- Unless recommended on the care label, do not dry woolens or fiberglass items.
- Avoid drying unwashed items.
- Do not dry items soiled with oil, alcohol, gasoline, etc.

Functional prerequisite

Lint filter



To prevent a risk of fire, make sure to clean the lint filter before or after every load.

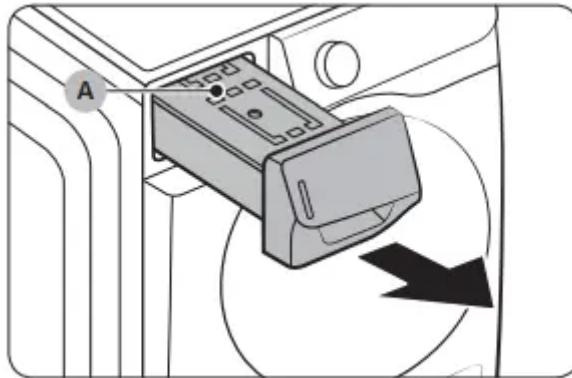
1. Turn off the dryer.
2. Open the door, and pull out the lint filter (A) from inside the tumbler.
3. Remove the lint that has accumulated, and then clean the lint filter.
4. Reinsert the lint filter, and then close the door.

CAUTION

- Do not operate the dryer without the lint filter in place.

- Do not use a damaged or broken lint filter. This may reduce performance and/ or cause a fire.

Water Tank



If you have not installed the long drain hose, empty the water tank before or after every load to avoid leaks.

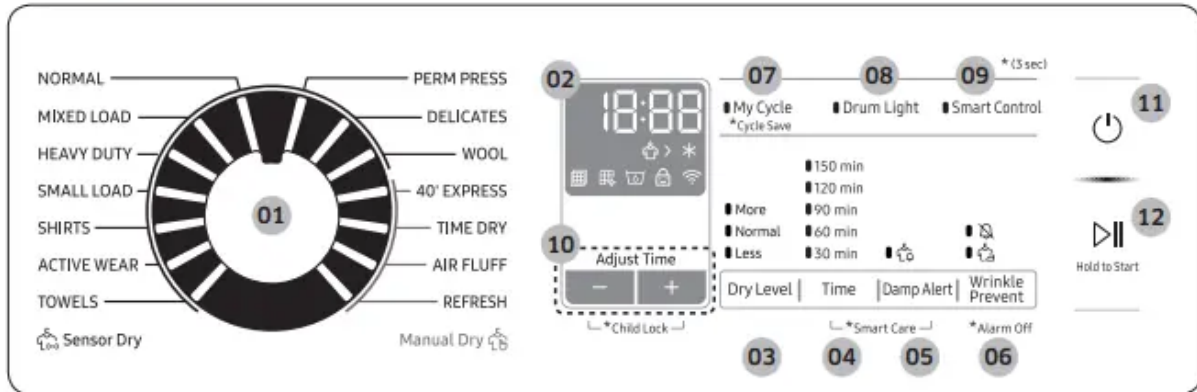
1. Using both hands, pull the water tank forward to remove.
2. Empty the water through the drain hole on top, and then place the water tank back into place.

NOTE: If you empty the water tank and then press and hold Start/Pause (Hold to Start), the corresponding indicator turns off.

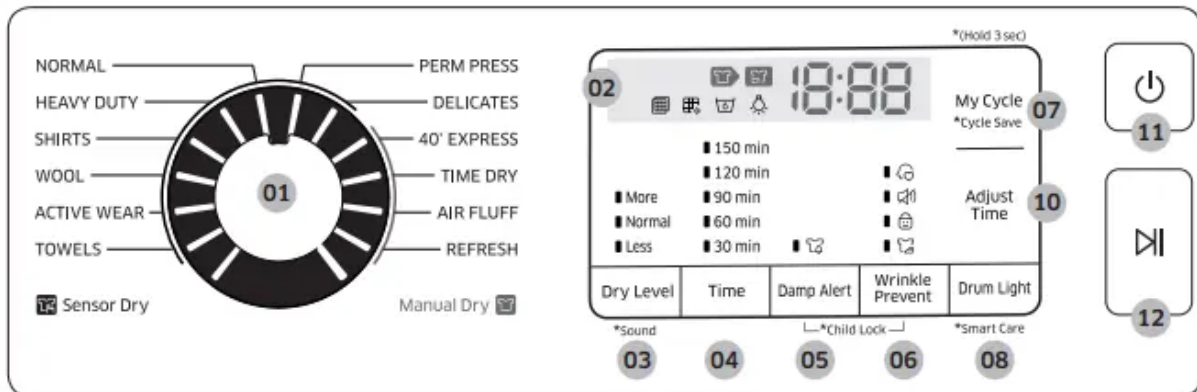
Operations

Control panel

DV22N685*H*



DV22N680*H*



01 Cycle selector: Turn the cycle selector to select a desired cycle. When a cycle is selected, the cycle indicator lights up.

02 Digital graphic display: Displays all cycle information, including the cycle time, information code, operating status, and indicators.

03 Dry Level: Press to adjust the dryness in the Sensor Dry cycles. The corresponding indicator turns on.

- Larger or bulkier loads may require More for complete dryness.
- Less is best suited for lightweight fabrics or for leaving some moisture in the clothing at the end of the cycle. NOTE This option is not available with WOOL and ACTIVE WEAR.


04 Time: Press to adjust the cycle time for 40' EXPRESS, TIME DRY, AIR FLUFF, and REFRESH cycles.

- The following time options in minutes are available: 30, 60, 90, 120, and 150.
- The exact drying time differs depending on the humidity of the load.

05 Damp Alert: This alert is available for all Sensor Dry cycles except for ACTIVE WEAR and WOOL. Available dry levels are Normal, More, and Less. If a load contains mixed fabrics, the Damp Alert indicator blinks when average dryness of the items is 80 % dry. This lets you take items that you don't want fully dried or that dry quickly out of the dryer early while letting others continue to dry.

06 Wrinkle Prevent Wrinkle: Prevent provides approximately 180 minutes of intermittent tumbling in unheated air at the end of the cycle to reduce wrinkling. Press Wrinkle Prevent to activate this feature. The load is dry and can be removed at any time during the Wrinkle Prevent process.

- Press and hold Wrinkle Prevent for 3 seconds to turn off the alarm. When the alarm is

off, the Alarm Off indicator () turns on.

07 My Cycle: Choose your favorite cycle including the cycle time, temperature, and dry level. See "My Cycle" on page 36 for details.

08 Drum Light: Press to turn on or turn off the interior lamp. The lamp stays lit for 2 minutes after it has turned on, and then turns off automatically.

09 Smart Control (DV22N685*H*): After connecting the dryer to your home network using the SmartThings app, you can control the dryer remotely. The Smart Control indicator blinks. The dryer enters waiting mode for remote commands. For more information, see the SmartThings section







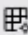

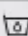
10 Adjust Time: You can change the set time in the Manual Dry cycles. To change the cycle time, press the Adjust Time buttons (- and +) until the desired time is displayed. * Only DV22N680*H* model have one button (Adjust Time).

11 Power: Press to turn on/turn off the dryer.


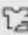
12 Start/Pause (Hold to Start): Press and hold to start an operation, or press to stop an operation temporarily

NOTE: Items that have become extremely tangled in the wash can degrade drying efficiency or cause the dryer's door to open. We recommend that you untangle items before putting them in the dryer.

Indicators (DV22N685*H*)

	Drying		Child Lock
	Cooling		Wi-Fi
	Check filter alarm		Alarm Off
	Heat-exchanger clean alarm		Wrinkle Prevent
	Water Tank Full		Damp Alert

Indicators (DV22N680*H*)

	Drying		My Cycle
	Cooling		Sound Off
	Check filter alarm		Child Lock
	Heat-exchanger clean alarm		Wrinkle Prevent

	Water Tank Full		Damp Alert
	Drum Light		

Simple steps to start

1. Press Power to turn on the dryer.
2. Turn the Cycle Selector to select a cycle.
3. Change the cycle settings (Dry Level and Time) as necessary.
4. Optionally, you can activate options available by pressing the relevant button. (Adjust Time - and +, Wrinkle Prevent, and/or Damp Alert)
5. Press and hold Start/Pause (Hold to Start). The dryer indicator turns on and shows an estimated cycle time on the display.

To change the cycle during operation

1. Press Start/Pause (Hold to Start) to stop operation.
2. Select a different cycle.
3. Press and hold Start/Pause (Hold to Start) to start the new cycle.

Sorting and loading

- Overloading will extend drying time significantly. Load to about half full for best results.
- Put only one wash load in the dryer at a time.
- Avoid mixing heavy and lightweight items together.
- To increase drying efficiency when drying one or two items, add a dry towel to the load.
- For best results, untangle items before inserting them into the dryer.

- Overloading restricts the tumbling process, resulting in uneven drying and wrinkling.
- Unless recommended on the care label, avoid drying woolens or fiberglass items.
- Avoid drying unwashed items.
- Do not dry items soiled with oil, alcohol, gasoline, etc.

Cycle overview

Sensor Dry: Sensor Dry cycles sense moisture in the load and stop the dryer when the load reaches the dryness level you have selected with Dry Level.

- **NORMAL:** For most fabrics including cottons and linens.
- **MIXED LOAD (DV22N685*H*):** For mixed loads consisting of cotton and synthetic fabrics.
- **HEAVY DUTY:** For drying items made out of heavy fabrics, such as jeans, corduroys, or work clothes, with high temperature heat.
- **SMALL LOAD (DV22N685*H*):** Use to quickly dry a small load.
- **SHIRTS:** Use to quickly dry one item such as a shirt.
- **ACTIVE WEAR:** For exercise wear and outdoor wear such as sports jerseys, training pants, water-repellent jackets, and other performance clothing. Thick fabrics like a zipper or Velcro closure of a jacket, or training socks may not be completely dried.
- **TOWELS:** For bath towels and similar items PERM PRESS Dry wrinkle-free cottons, synthetic fabrics, knits, and permanent press fabrics automatically.
- **DELICATES:** For heat-sensitive items at a low drying temperature.
- **WOOL:** For machine washable and tumble dryable wool only

Manual Dry: You can change the drying settings manually to your preference

- **40' EXPRESS:** For drying light cotton synthetics or items that need quick drying. The default dry time is 40 minutes.
- **TIME DRY:** You can specify a cycle time in minutes.
- **AIR FLUFF:** Tumbles the load in room temperature air.
- **REFRESH:** Uses warm air to deodorize and refresh items.

Cycle guide: The best way to dry items is to follow the instructions on the care label. If no drying instructions are provided, see the following table for reference.

- **Bedspreads & Comforters:** Follow the care label instructions or dry using NORMAL.
 - Make sure the item is thoroughly dry before using or storing.
 - May require repositioning in the drum to ensure even drying.

- Blankets: Use NORMAL and dry only one blanket at a time for best tumbling action.
 - Make sure blankets are thoroughly dry before using or storing.
- Curtains & Draperies: Use PERM PRESS to help minimize wrinkling.
 - Dry curtains and draperies in small loads for best results and remove as soon as possible after the cycle is complete.
- Cloth Diapers: Use NORMAL for soft, fluffy diapers.
- Down-filled Items (jackets, sleeping bags, comforters, etc.): Follow the care label instructions or dry using NORMAL.
 - Add a couple of dry towels to absorb moisture and shorten drying time.
- Foam Rubber (rug backs, stuffed toys, shoulder pads, etc.) Do not dry on a heat setting. Use AIR FLUFF. WARNING Drying a rubber item with heat may damage it or cause a fire.
- Pillows: Use NORMAL.
 - Add a couple of dry towels and a pair of clean sneakers to help the tumbling action and to fluff the pillows.
 - Do not dry kapok or foam pillows using a heated drying cycle. You can dry these items in the dryer only if you use AIR FLUFF.
- Plastics (shower curtains, outdoor furniture covers, etc.): Use AIR FLUFF or TIME DRY and the Low or Extra Low temperature settings depending on the care label instructions.

Special features

Child Lock

- Child Lock prevents children from playing with the dryer. When Child Lock is activated, all buttons except for the Power button are disabled.
- To activate/deactivate Child Lock, simultaneously press and hold the Adjust Time buttons (- and +) for 3 seconds. ※ DV22N680*H* Model : Press and hold Damp Alert and Wrinkle Prevent buttons.
- NOTE: Once Child Lock is activated, it will remain active even after you restart the dryer. If other buttons, except for the Power button, do not respond, check the Child Lock indicator. If the indicator is on, follow the instructions above to turn Child Lock off.

My Cycle: You can create your own cycle that contains your preferred settings and use it at your convenience.

1. Turn the Cycle Selector to select a cycle. The cycle indicator turns on.
2. Set or change the settings (Dry Level, Time, etc.) and/or options as necessary. Each corresponding indicator blinks.

3. Press and hold My Cycle for 3 seconds. The dryer stores the selected cycle with its settings. To use My Cycle, press My Cycle.

NOTE: WRINKLE PREVENT is not available with My Cycle.

Smart Care: If your dryer displays an information code, you can use Smart Care and the Smart Care app to explain the meaning of the code. To use Smart Care, you must have the Samsung Smart Care app installed on your smartphone.

NOTE: Smart Care is optimized for Samsung Galaxy and Apple iPhones. (Not compatible with some models).

Download the Samsung Smart Washer app from the Google Play Store or Apple App store (Search term: "Samsung Smart Washer/Dryer"), and install it on your smartphone.

If an information code appears on your dryer, follow these steps:

- Simultaneously press and hold Time and Damp Alert for 3 seconds to activate Smart Care. ※ DV22N680*H* Model : Press and Hold Drum Light button.
- Open the Smart Care app on your smartphone.
- Put the smartphone's camera close to the display of the dryer. The app automatically recognizes the information code, and then displays suggestions on your smartphone.
- If the smartphone fails to recognize the information code more than twice, type the information code manually into the Smart Care app.

CAUTION

- If light is reflected on the display of the dryer, the smartphone may not recognize the information code.
- If you hold the smartphone at an angle to the dryer's display, the smartphone may not recognize the information code. For best results, hold the smartphone so that the front of the panel and the smartphone are parallel or nearly parallel.
- After you use this function, the dryer will delete the record of the information code from its code log

SmartThings

※ "Smart Things" is available for the DV22N685*H* model only.

Wi-Fi connection

On your smartphone, go to the Settings, turn on the wireless connection, and then select an AP (Access Point).

NOTE

- This device is designed for household use only (Class B), and can be used in all residential areas. • This device may cause wireless interference which cannot be prevented.
- Recommended encryption methods are WPA/TKIP and WPA2/AES. Newly developed Wi-Fi protocols or unapproved Wi-Fi protocols are not supported.
- The reception sensitivity of a wireless network may be affected by surrounding wireless environments.
- If your Internet provider has registered the MAC address of your PC or modem for permanent use, your Samsung dryer may not connect to the Internet. If this is the case, contact your Internet provider.
- The Internet firewall may interrupt your Internet connection. If this happens, contact your Internet provider.
- If your dryer continually fails to connect to the Internet after you have followed the instructions from your Internet provider, contact a local Samsung retailer or Samsung service center.
- To install a wired or wireless router, follow the directions in the router's users manual.
- This Samsung dryer supports Wi-Fi 2.4 GHz protocols.
- This Samsung dryer supports IEEE802.11 b/g/n (2.4 GHz) Soft-AP protocols. (IEEE802.11n is recommended)
- An unapproved wired/wireless router may fail to connect to your Samsung dryer.

Download

On an app market (Google Play Store, Apple App Store, Samsung Galaxy Apps), find the SmartThings app using the search term "SmartThings". Download and install the app on your device.

NOTE

- The SmartThings app is available on third-party devices with Android OS 6.0 (Marshmallow) or higher, Samsung devices with Android OS 5.0 (Lollipop) or higher, and iOS devices with iOS 10.0 or higher on iPhones designated iPhone 6 or higher. The app is optimized for Samsung smartphones (Galaxy S and Note series).
- Some functions of the app may operate differently on third-party devices.
- The app is subject to change without notice for improved performance.

Log in

- You must first log into SmartThings with your Samsung account. To create a new Samsung account, follow the instructions in the app. You don't need a separate app to create your account.

- NOTE: If you have a Samsung account, use the account to log in. A registered Samsung smartphone user automatically logs in.

To register your device to SmartThings

1. Make sure your smartphone is connected to a wireless network. If not, go to Settings, turn on the wireless connection, and then select an AP (Access Point).
2. Launch SmartThings on your smartphone.
3. When the message “A new device is found.” appears, select Add.
4. If no message appears, select +, and then select your dryer in the list of devices available. If your dryer is not listed, select Device Type > Specific Device Model, and then add your dryer manually.
5. When registration is complete, your dryer appears on your smartphone.

Dryer app

- Integrated control: You can monitor and control your dryer both at home and on the go.
 - Select the dryer icon on SmartThings. The dryer page appears.
 - Check the operation status or notifications related to your dryer, and change options or settings if necessary.

SmartThings

Category	Checkpoint	Description
Monitoring	Drying status	You can check the current cycle and its options, and the remaining cycle time.
	Smart Control	The Smart Control status is shown for the dryer.
	Self Check	Use this to check if the dryer operates normally.
	Energy monitoring	Use this to monitor the energy consumption status.
Control	Start/Pause/Cancel	Select a cycle and necessary options, and then select Start/Pause/Cancel to start an operation, to stop temporarily, or to cancel the current operation.
	My Favorite	Add frequently used cycles and options to My Favorite for later use.
Notification	Cycle completed	Notifies you that the current cycle is complete.
	Remaining laundry (applicable models only)	Notifies you of any laundry left after a cycle is complete.



Category	Checkpoint	Description
Q-Rator	Laundry Recipe *	You can select the fabric type, dry level, and wrinkle prevent to get recommended options and dry cycles that you can start right away.
	Laundry Planner *	You can set the desired time for a dry cycle to finish. After you set the desired time, you will get a recommended cycle that will end within the time you set, and you can start or reserve the recommended cycle.
	HomeCare Wizard *	Provides a regular report with an analysis of the machine operation state for a user-set time period (every week/month). You can use this regular report to check your usage pattern, maintenance requirements, and energy consumption ** for the set period of time.
	* Requires 'SmartThings', available on Android and iOS. Registration required. ** Indicated results only.	

Maintenance

WARNING

- Do not clean the dryer by directly spraying water onto the dryer.
- Do not clean the dryer with benzene, thinner, alcohol, or acetone. This may cause discoloration, deformation, damage, electric shock, or fire.
- Before cleaning the dryer, be sure to unplug the power cord.
- Certain internal parts are intentionally not grounded and may present a risk of electric shock only during servicing. Service Personnel - Do not contact the following parts while the appliance is energized: Control board, Motor, Drain pump.

Control panel

- Clean with a soft, damp cloth. Do not use abrasive substances.
- Do not spray liquid cleaning agents directly on the display of the dryer.
- Some laundry pre-treatment soil and stain removers may damage the control panel.
- When using liquid cleaning agents, apply them to the cleaning cloth. Do not apply them directly to the dryer. Wipe up any spills or overspray immediately.

Tumbler

- Remove any stains from the tumbler with an all-purpose cleaner.

- Tumble old towels or rags to remove any remaining stains or cleaning substances. Stains may still be visible, but will not affect subsequent loads.

Stainless steel tumbler

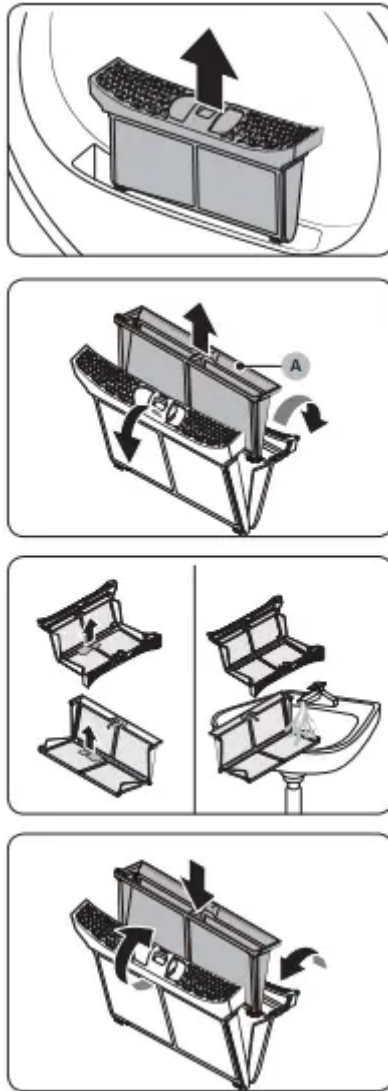
- To clean the stainless steel tumbler, use a damp cloth with a mild, non-abrasive cleaner suitable for easily marred surfaces. Remove cleaner residue and dry with a clean cloth.

Dryer exterior

- Clean with a soft, damp cloth. Do not use abrasive substances.
- Protect the surface from sharp objects.
- Do not place any heavy or sharp objects or a detergent container on the dryer. They can scratch or damage the top cover of the dryer.
- The dryer has a high-gloss finish on the entire surface. Be careful not to scratch or damage the surface.

Lint filter

- Clean the lint filter after each load.



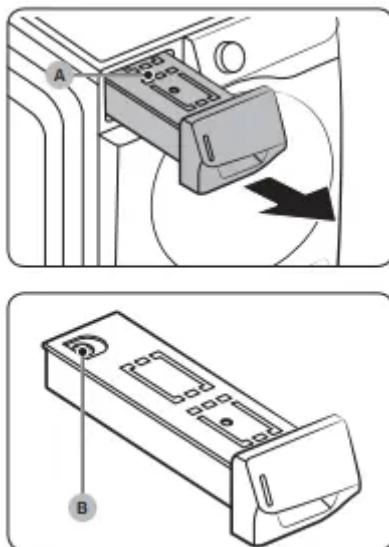
1. Open the door and pull the lint filter upward to remove. A
2. Open the outer filter and remove the inner filter (A).
3. Unfold both the inner filter and the outer filter.
4. Remove the lint from both filters, and then clean them in running water. When finished, dry them thoroughly.
5. Put the inner filter into the outer filter, and then reinsert the lint filter into its original position.

CAUTION

- Clean the lint filter after each load. Otherwise, the drying performance may decrease.
- Do not operate the dryer without the inner filter inside the outer filter.
- Using the dryer with a wet lint filter may cause mold, bad odors, or a decrease in drying performance.

Water tank

To avoid leaks, empty the water tank after every load.



1. Using both hands, pull the water tank (A) forward to remove.
2. Empty the water through the drain hole (B), and then put the water tank back into place.

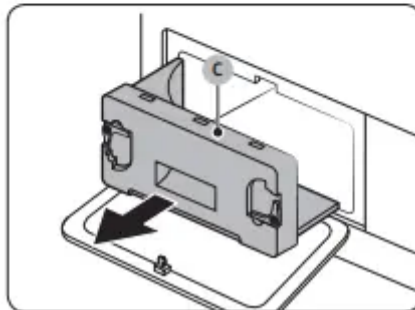
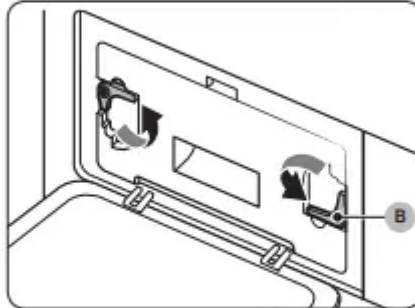
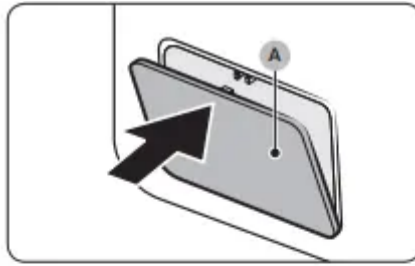
NOTE: If you empty the water tank and then press and hold Start/Pause (Hold to Start), the corresponding indicator turns off.

Heat exchanger

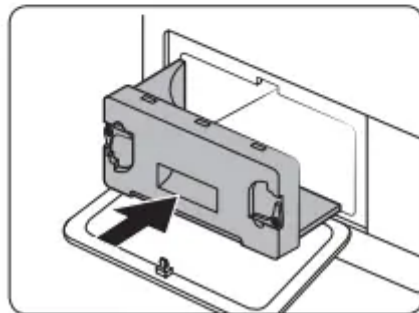
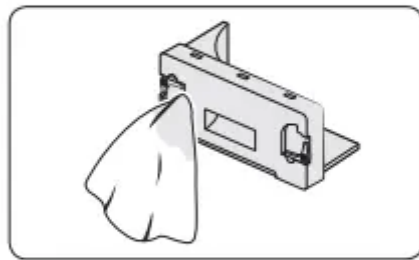
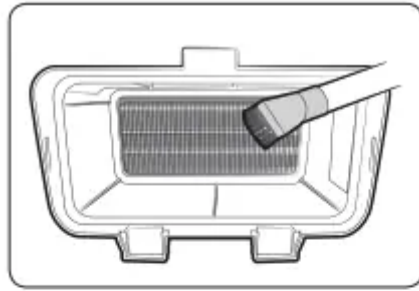
- Clean the heat exchanger at least once a month. As a reminder, the heat exchanger



indicator () lights up on the display when the heat exchanger needs to be cleaned.



1. Gently press the top part of the outer cover (A) to open.
2. Unlock the fixers (B).
3. Remove the inner cover (C).



4. Clean the heat exchanger with a soft brush or vacuum cleaner. **WARNING**

- To avoid physical injury and burns, do not touch or clean the heat exchanger with bare hands.
- Do not use water to clean the heat exchanger.
- Do not press on, push on, pull on, or exert force on the heat exchanger. You may damage the heat exchanger which can lead to a decrease in drying performance.

5. Clean the inner cover with a smooth, damp cloth.

6. Reinsert the inner cover in its original position, and then lock the fixers.

7. Close the outer cover.

NOTE: After cleaning, make sure the fixers are locked.

Troubleshooting

Checkpoints: If the dryer operates abnormally, first check the list of problems in the table below and try the suggested actions.

1. Does not run.

- Make sure the door is latched shut.
- Make sure the power cord is plugged into a live electrical outlet.
- Check your home's circuit breakers or fuses.
- Press or tap START/PAUSE again if the door is opened during a cycle.
- Clean the lint filter

2. Does not heat.

- Check your home's circuit breakers or fuses.
- Some cycles do not require heating. Check the selected cycle again.
- For a gas dryer, make sure the gas supply is on.
- Clean the lint filter and exhaust duct.
- The dryer may have moved into the cool-down phase of the cycle.

3. Does not dry.

- Check all of the above, plus...
- Make sure the exhaust hood outside your home can open and close freely.
- Check the exhaust system for lint buildup. Ducting should be inspected and cleaned annually.
- Use a 4" rigid metal exhaust duct.
- Do not overload. 1 wash load = 1 dryer load.
- Dry heavy items and light weight items separately.
- Large, bulky items, such as blankets or comforters, may require repositioning to ensure even drying.
- Make sure that your washer is draining properly and extracting adequate water from the load.
- The load may be too small to tumble properly. Add a few towels and restart the dryer.
- The load may be too large to tumble properly. Remove some items and restart the dryer.
- Clean the lint filter.

4. Is noisy.

- Check the load for objects such as coins, loose buttons, nails, etc. Remove promptly.

- It is normal to hear the dryer gas valve or heating element cycle on and off during the drying cycle.
- Make sure the dryer is leveled properly as outlined in the installation instructions.
- It is normal for the dryer to hum due to the high velocity of air moving through the dryer drum, fan, or exhaust system.

5. Dries unevenly.

- Seams, pockets, and other similarly heavy areas may not be completely dry when the rest of the load has reached the selected dryness level. This is normal. You can choose a higher dryness level or a cycle that involves a higher dryness level.
- If one heavy item is dried with a light weight load, such as one towel with sheets, it is possible that the heavy item will not be completely dry when the rest of the load has reached the selected dryness level.
- For the best drying results, dry heavy items and light weight items separately.

6. Lint on clothes.

- Make sure the lint filter is cleaned before every load. For clothes that naturally build up lint, clean the filter during the cycle.
- Some fabrics are lint producers (for example, a fuzzy white cotton towel) and they must be dried separately from clothes that are lint trappers (for example, a pair of black linen pants).
- Divide larger loads into smaller loads for drying.
- Check pockets thoroughly before drying, then dry clothes.
- Remove lint inside the drum before drying.

7. Items still wrinkled after WRINKLE RELEASE cycle.

- Small loads of 1 to 4 items work best.
- Load fewer items. Load similar-type items.

8. Extended time.

- Sensor Dry automatically senses the moisture in the load and shuts the dryer off when the selected dryness level is reached.
- The drying time can change according to the type and amount of laundry. See the cycle chart for reference.
- To prevent an overly long drying time, load no more than half full.

If a problem persists, contact a local Samsung service center.

Information codes

If the dryer fails to operate, you may see an information code on the display panel. To determine what you should do, check the list of codes in the table below, and then try the suggested actions.

Code

1. tC: Air temperature sensor issue

- Clean the lint filter and/or heat exchanger. If this continues, call for service.

2. tC5: Compressor temperature sensor issue

- Wait 2-3 minutes. Turn the power on and restart.

3. dC: Running the dryer with door open

- Close the door and restart. If this continues, call for service

4. HC: Compressor overheat

- Call for service.

5. 5C: Water tank full. Drain pump is out of order

- Empty the water tank, turn the power on, and restart. If this continues, call for service.

6. AC6: Check communications between the main and the inverter PBAs.

- Depending on the its state, the dryer may automatically return to normal operation.
- Turn the dryer off and turn it on again. Then, restart the cycle.
- If the information code continues to appear, call for service.

7. 3C: Check the motor for operation.

- Try restarting the cycle.
- If the information code continues to appear, call for service.

Specifications

Fabric care chart: The following symbols provide garment care direction. The clothing care labels include symbols for drying, bleaching, drying and ironing, or dry cleaning when necessary. The use of symbols ensures consistency among garment manufacturers of domestic and imported items. Follow care label directions to optimize garment life and reduce laundering problems.

Wash cycle

Water temperature

NOTE: This represents appropriate wash water temperatures for various items. The temperature range for Hot is 41-52 °C, for Warm 29-41 °C and for Cold 16-29 °C. (Wash water temperature must be a minimum of 16 °C for detergent activation and effective cleaning.)

Bleach

Normal

Special instructions

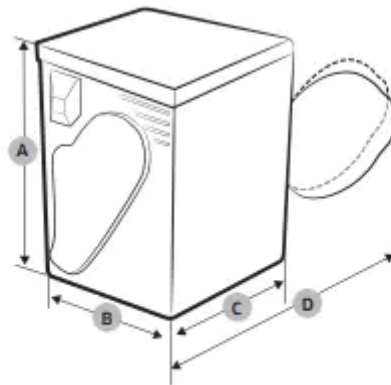
Heat setting

Iron dry or steam temperatures

Warning symbols for laundering

Protecting the environment: This appliance is manufactured from recyclable materials. If you decide to dispose of this appliance, please observe local waste disposal regulations. Cut off the power cord so that the appliance cannot be connected to a power source. Remove the door so that animals and small children cannot get trapped inside the appliance.

Specification sheet



Type		Front loading dryer
Dimensions	A. Height	33.5" (850 mm)
	B. Width	23.6" (600 mm)
	C. Depth	25.6" (650 mm)
	D. Depth with door open 90°	44.3" (1125 mm)
Net Weight		110 lb (50 kg)
Electrical Requirements	240 V / 60 Hz	800 W
Allowable Temperature		41 - 95 °F (5 - 35 °C)

Warning

This content is compiled from multiple sources and is provided for reference purposes only. It may not be complete or fully applicable to all situations. If you are unable to resolve your issue, please contact the product manufacturer or an authorized service provider for official support.

