

Setting up your side-by-side refrigerator

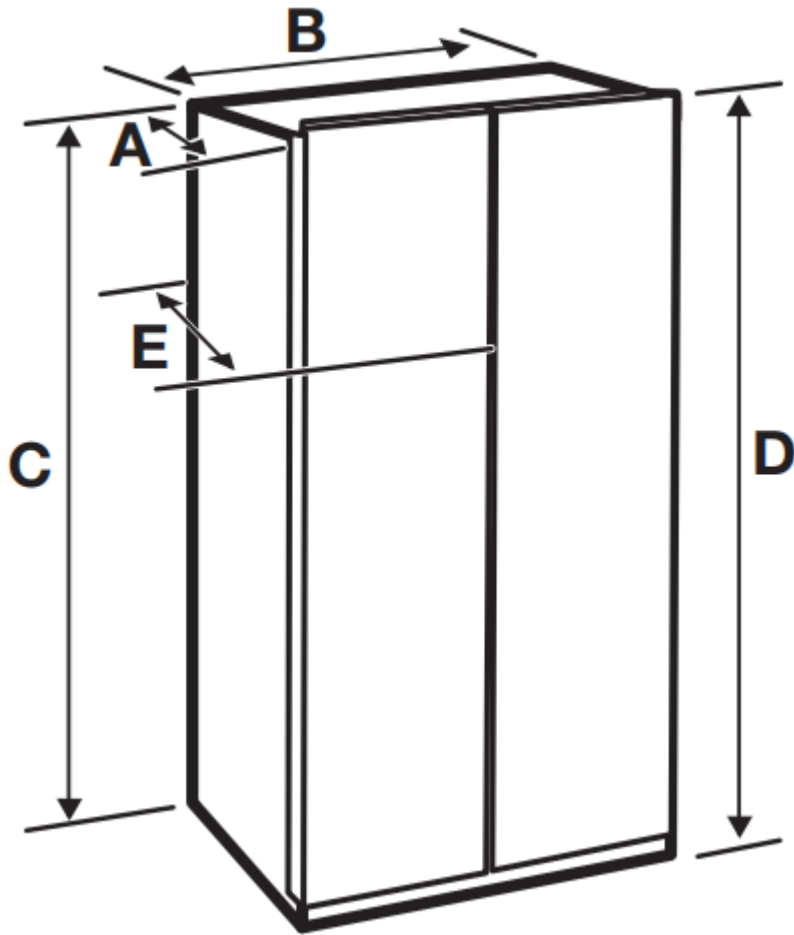
GETTING READY TO INSTALL THE REFRIGERATOR

Congratulations on the purchase of your Samsung Side-By-Side Refrigerator.

We hope you will enjoy the many state-of-the-art features and efficiencies that this new appliance has to offer.

Selecting the best location for the refrigerator

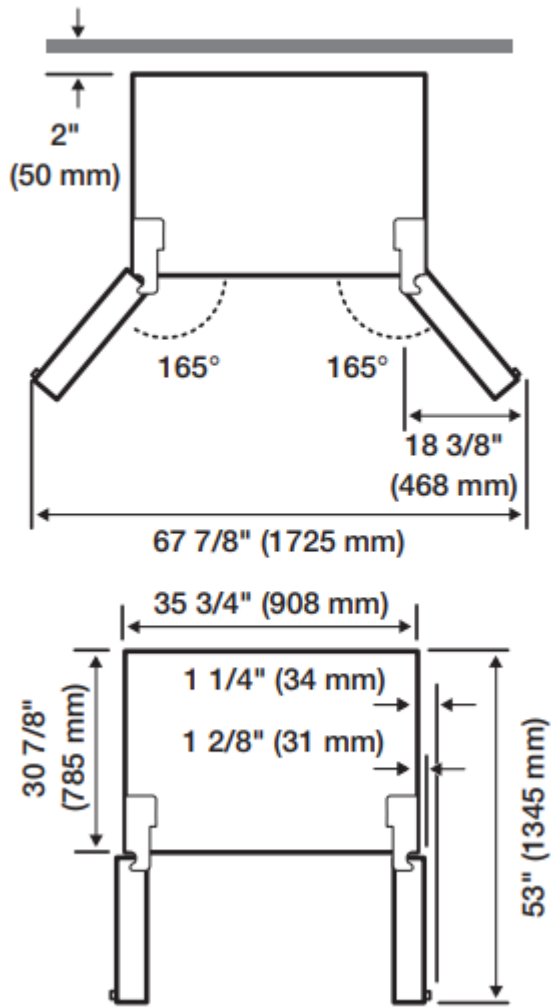
- Select a location with easy access to a water supply.
- Select a location without direct exposure to sunlight.
- Select a location with level (or nearly level) flooring.
- Select a location with enough space for the refrigerator doors to open easily.
- Select a location that allows sufficient space to the right, left, back, and top for air circulation.
- Select a location that allows you to move the refrigerator easily if it needs maintenance or service.
- Do not install the refrigerator in locations where the temperature is over 110 °F (43 °C) or below 50 °F (10 °C).

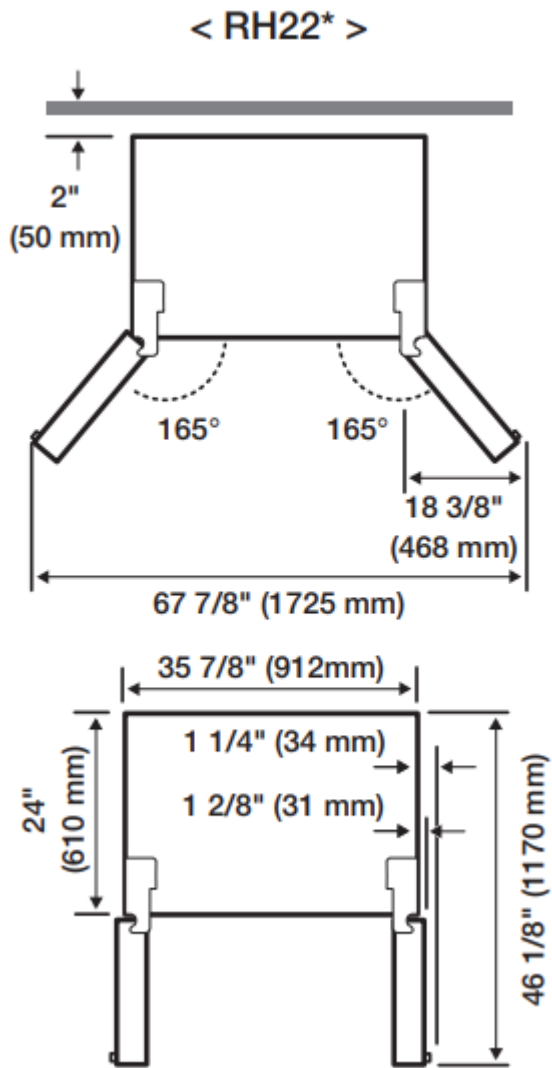


Model	RH29*	RH22*
Depth "A"	35 1/8" (893 mm)	28 2/8" (718 mm)
Width "B"	35 7/8" (912 mm)	35 7/8" (912 mm)
Height "C"	68 1/2" (1742 mm)	68 1/2" (1742 mm)
Overall Height "D"	69 6/8" (1774 mm)	69 6/8" (1774 mm)
Depth "E"	35 2/8" (896 mm)	28 1/4" (721 mm)



< RH29* >





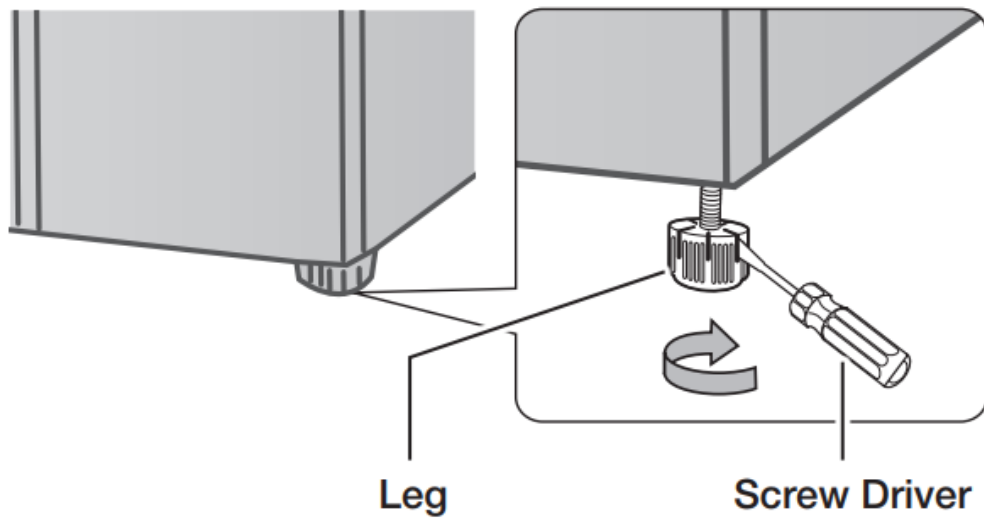
Each measurement based on the design dimension, so it may differ depending on the measuring method.

When moving your refrigerator

To prevent floor damage, be sure the front levelling legs are in the up position (above the floor).

Refer to 'Levelling the refrigerator' in this manual (page 16).





Flooring

For proper installation, you must place this refrigerator on a level, hard surface that is the same height as the rest of the floor.

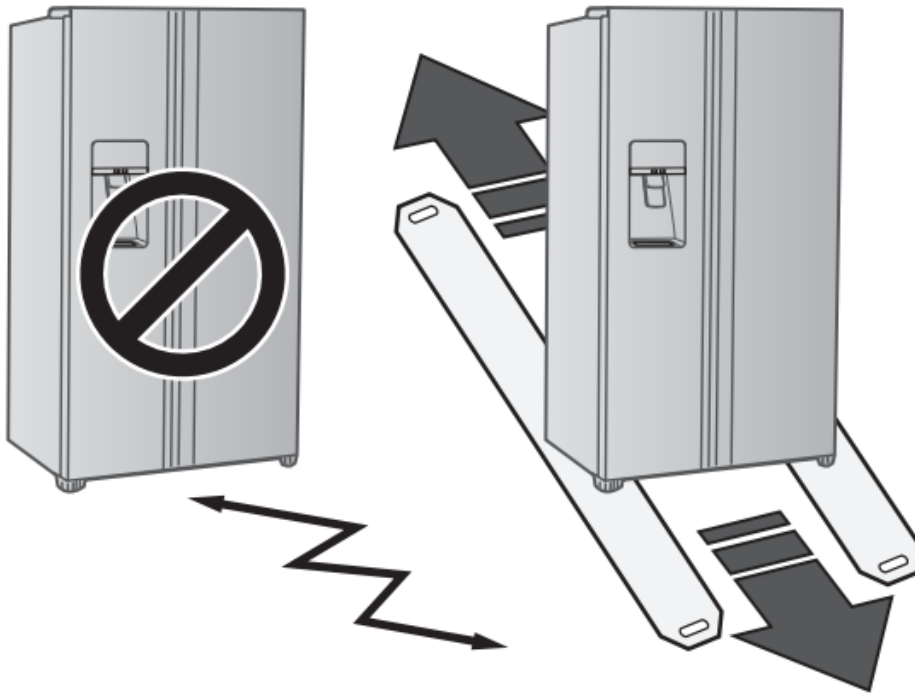
This surface should be strong enough to support a fully loaded refrigerator.

To protect the finish of the flooring, cut a large section of the cardboard carton and place it under the refrigerator where you are working.





When moving the refrigerator, you need to pull and push it straight forwards or back.

Do not wiggle it from side to side.





Required Tools (Not provided)

		
Philips screwdriver (+)	Flat-blade screw driver (-)	Socket wrench (13/32") (10 mm)
		
Allen wrench (3/16") (5 mm)		

REMOVING THE REFRIGERATOR DOORS

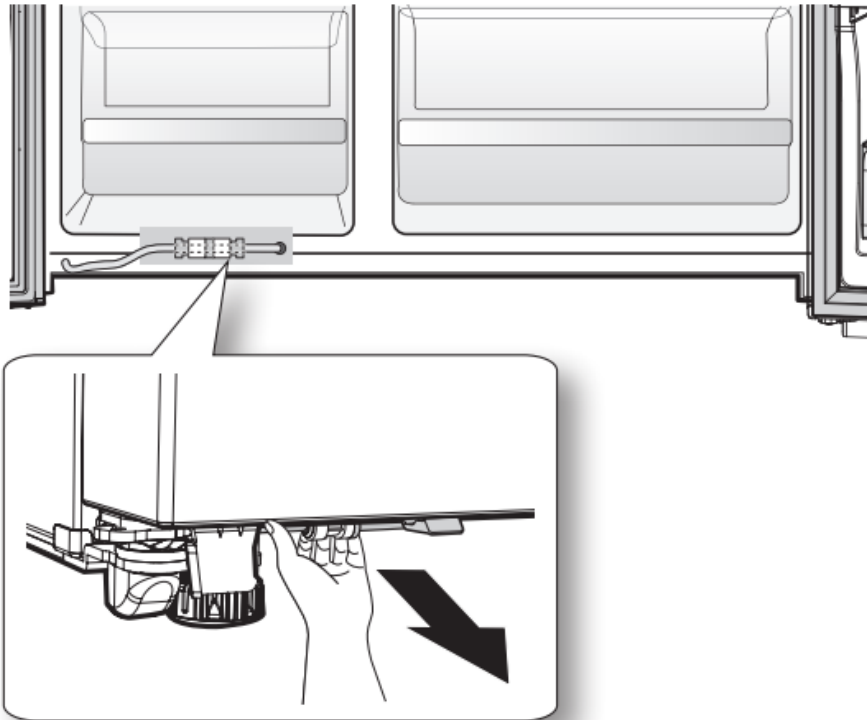
If your entrance won't allow the refrigerator to pass easily through it, you can remove the doors.

To remove the doors, follow the steps below.

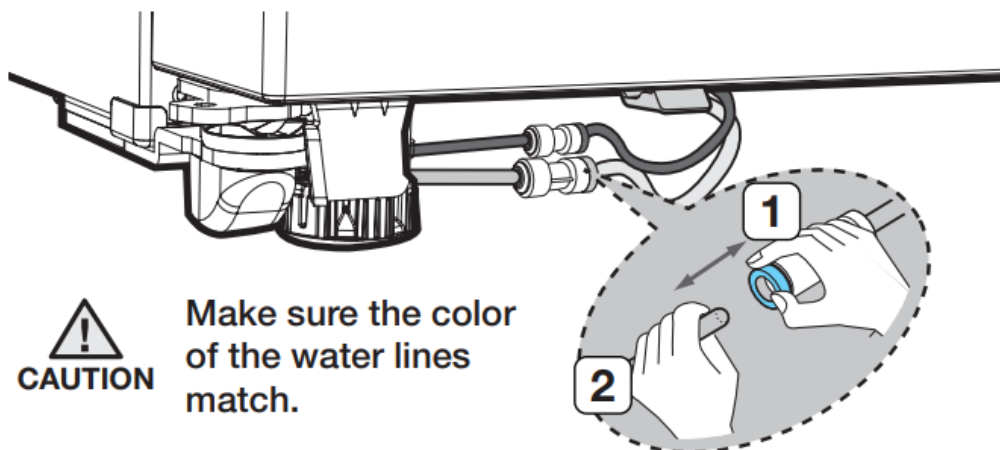
If you do not need to remove the doors, go to "Leveling the Refrigerator" on page 16.

1. SEPARATE THE WATER SUPPLY LINES FROM THE FRIDGE

1. Pull the two water lines (which are in the Fixer) out to the front.



2. Remove the two water lines (White for water and the other for ice) by pressing the coupler (1) and pulling the water line (2) away.



Make sure the color of the water lines match.

CAUTION

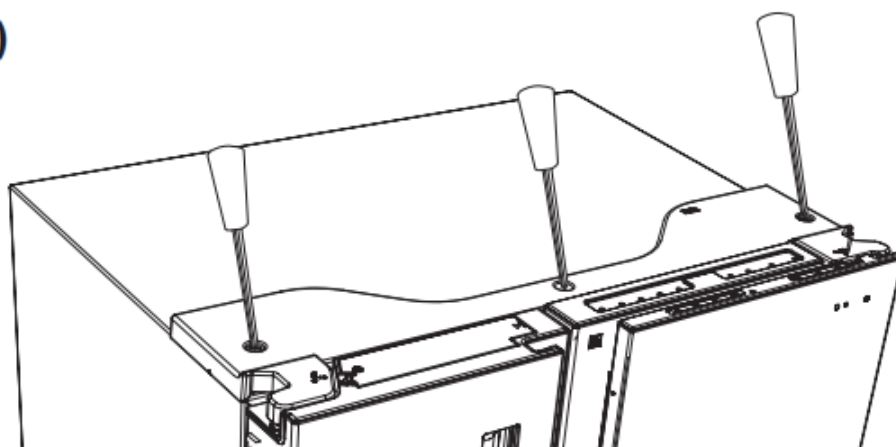
When reconnecting the supply hoses, make sure the same colored hoses are inserted with each other.

2. DETACH THE HINGE COVER

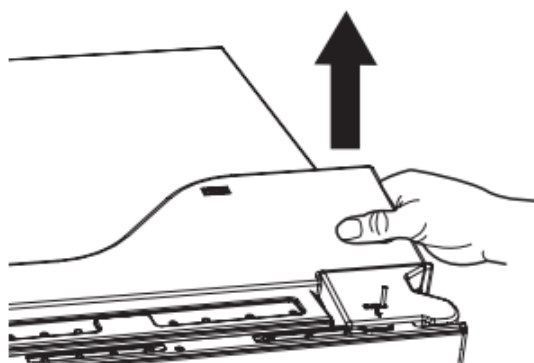
1. Disconnect the power cord, and remove 3 cover screws using a Phillips screwdriver (1). Then open the refrigerator door and pull the hooks on the sides to loosen the cover (2). Lift up the cover towards you to detach it (3).

- Detach the hinge cover with the door open and then close the door once the hinge cover has been detached.

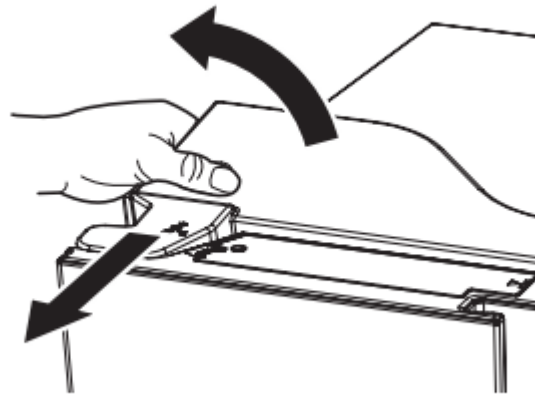
(1)



(2)

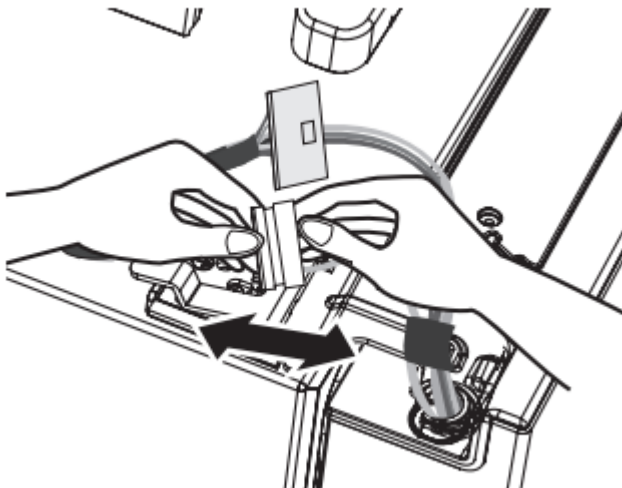


(3)

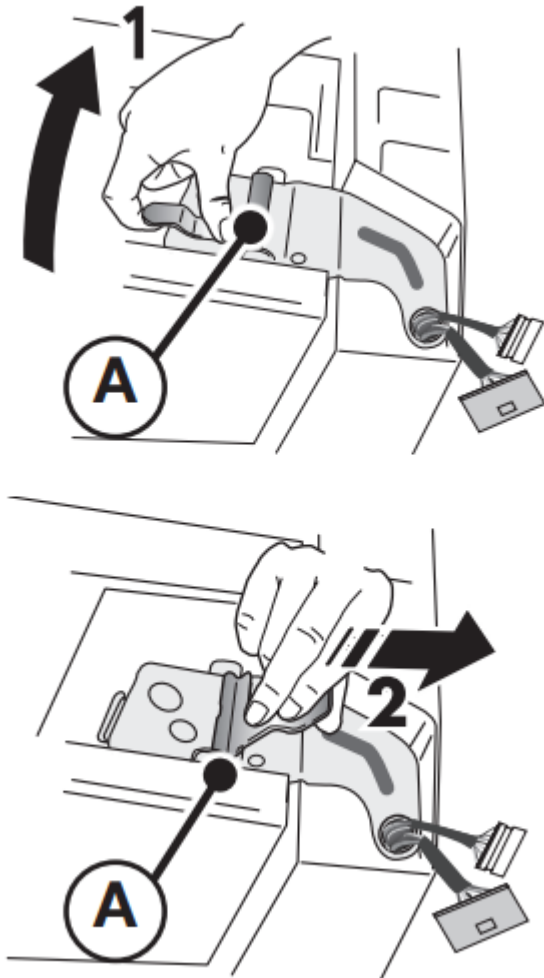


3. DISASSEMBLE THE FREEZER DOORS

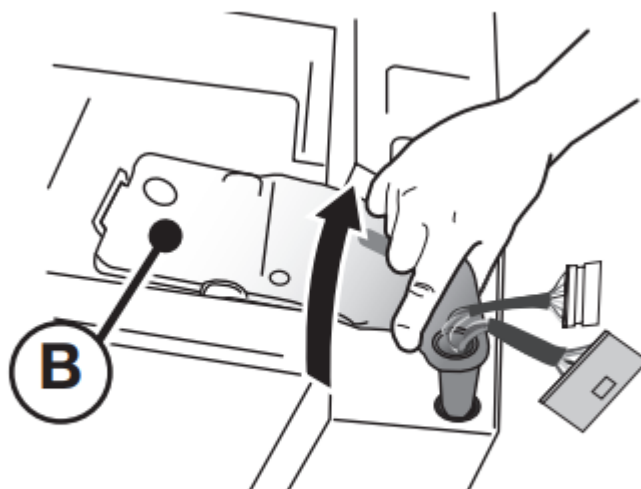
1. Remove the hinge cover and then disconnect the electrical wire connector.



2. Flip the clamp (A) up in direction 1 and then pull it off in direction 2.



3. Remove the hinge (B).



4. Lift up the door and detach it from the refrigerator.

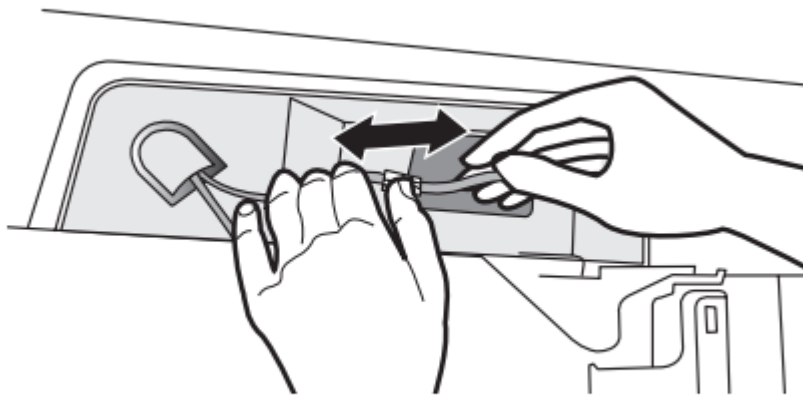
CAUTION

- Be careful not to damage the electrical wires when assembling or disassembling the doors.
- Make sure the doors do not fall over and become damaged while they are detached from the refrigerator.

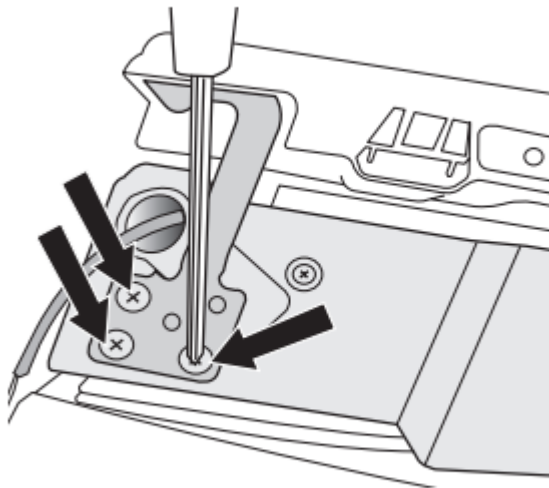
4. DISASSEMBLE THE COLD

COMPARTMENT SHOW CASE DOOR

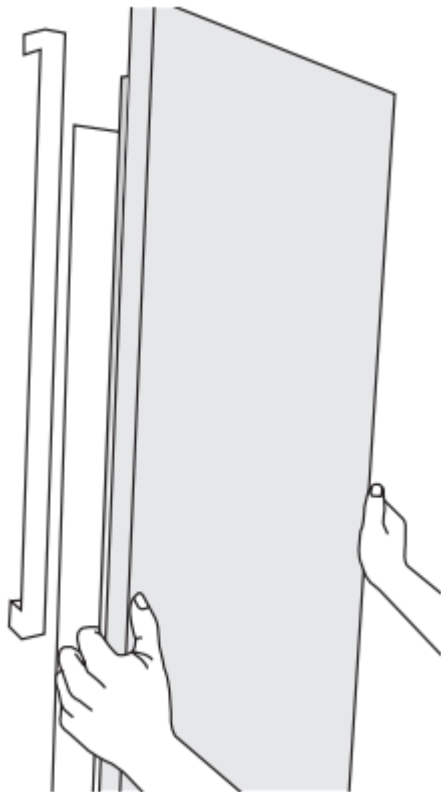
1. Disassemble the housing connector.



2. Disassemble the three fastening screws on the top hinge of the show case.

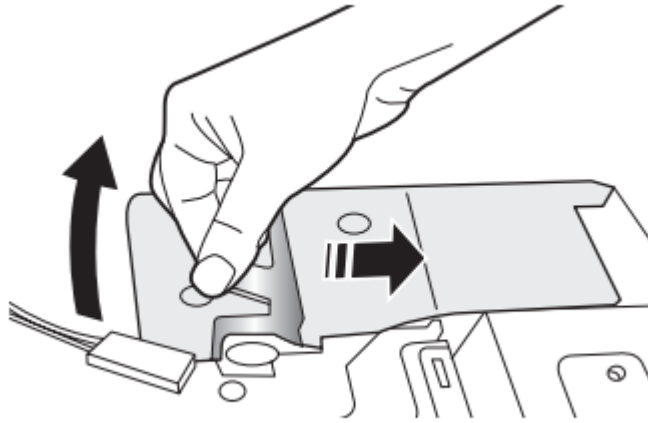


3. Remove the show case door.

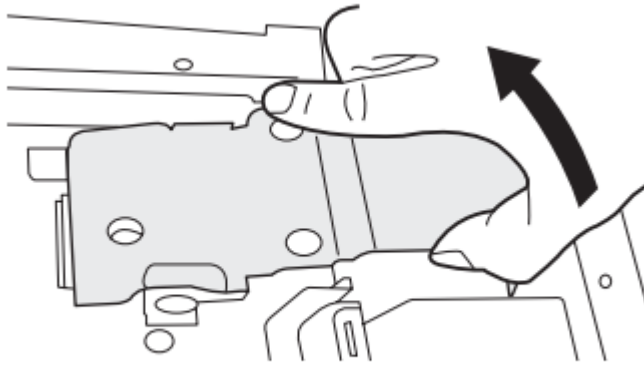


5. DISASSEMBLE THE REFRIGERATOR DOORS

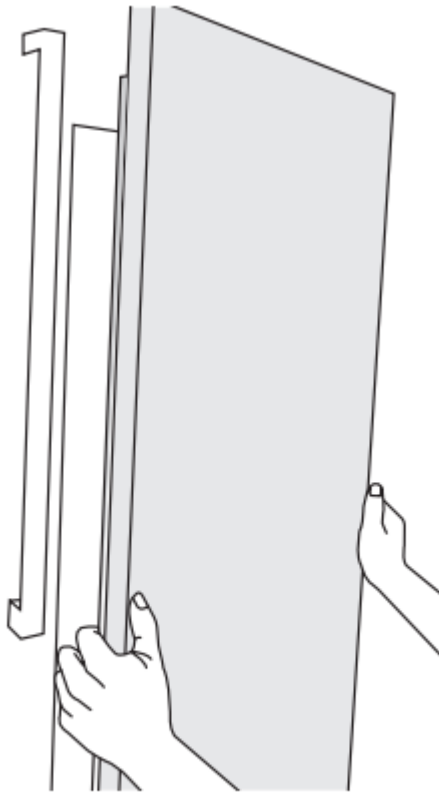
1. Push the fixer hinge up, and pull it forward to remove it.



2. Disassemble the top hinge from the front of the door.

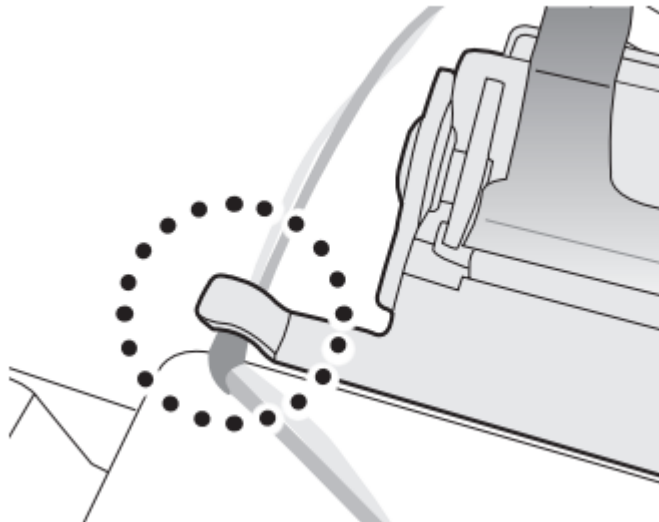


3. Remove the entire door.



CAUTION

Fix the wire on the Hinge Hook to prevent the damage on the wire when reassembling.



RE-ATTACHING THE DOORS

To re-attach the doors, follow the steps below.

1. RE-ATTACH THE FREEZER DOOR

CAUTION

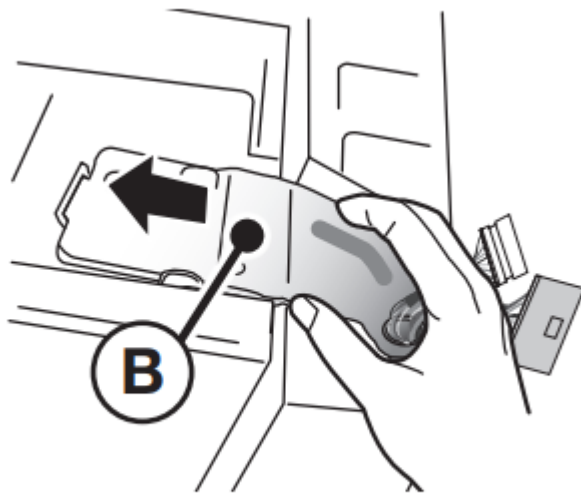
- Be sure to re-attach the Freezer Door before reattaching the Fridge Door.
- Before re-attaching, make sure that all the wire connectors at the bottom of the Freezer Door are connected.

How to Re-Attach the Freezer Door

1. Attach the doors to the hinges at the bottom of the refrigerator.

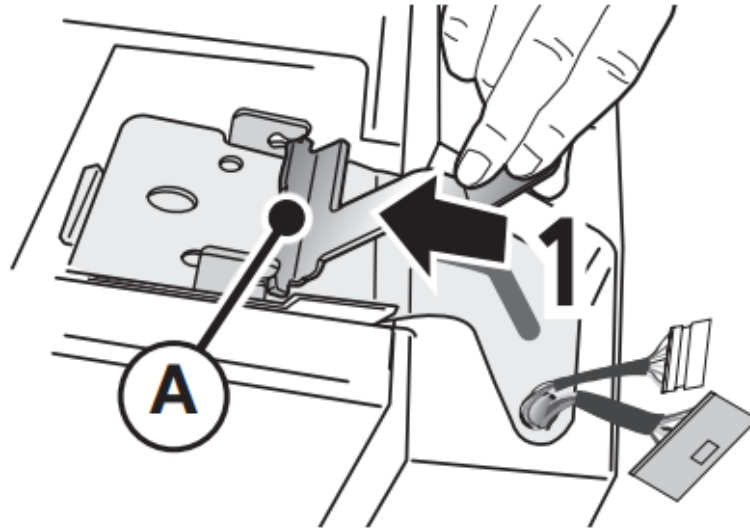


2. Insert the hinge (**B**) into the hinge slot on the refrigerator, and then press down over the hinge hole on the door.

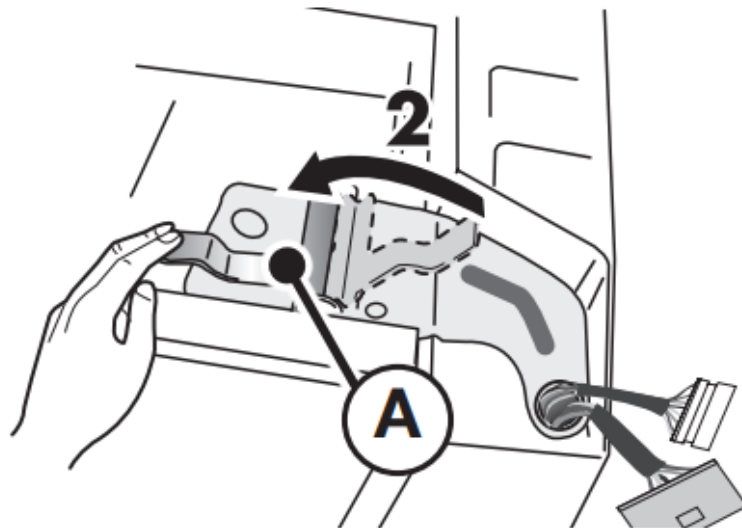


3. Insert the clamp (**A**) in the direction of arrow (**1**) and then lower it in the direction of arrow (**2**) to lock it in place.

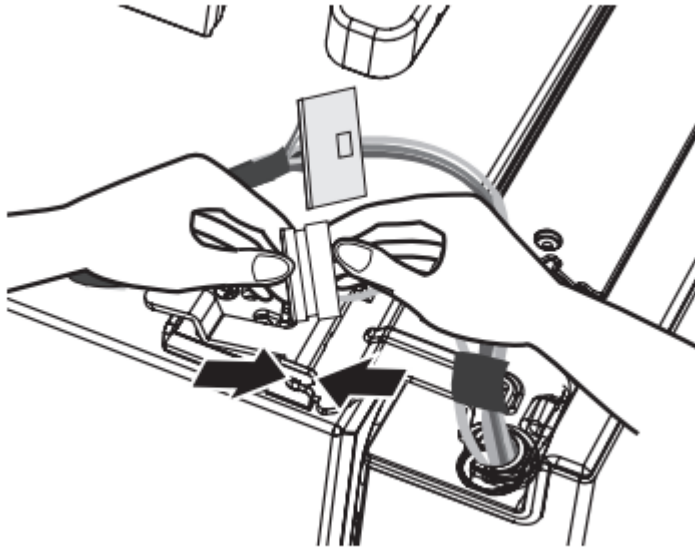
①



②



4. Hook up the electrical wire connector.



CAUTION

The display may not function properly if you neglect to connect the electrical wires while assembling the door.

2. RE-ATTACH THE REFRIGERATOR DOOR

To re-attach the REFRIGERATOR door, assemble the parts in reverse order.

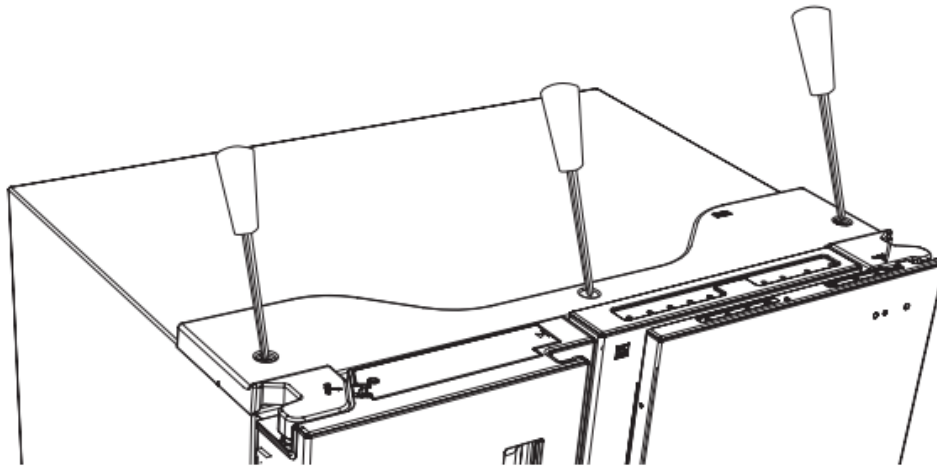
3. RE-ATTACH THE COLD COMPARTMENT SHOW CASE DOOR

To re-attach the COLD COMPARTMENT SHOW CASE DOOR, assemble the parts in reverse order.

4. RE-ATTACH THE HINGE COVER

1. Open the refrigerator doors.
2. Attach the hinge cover to the top of the refrigerator.

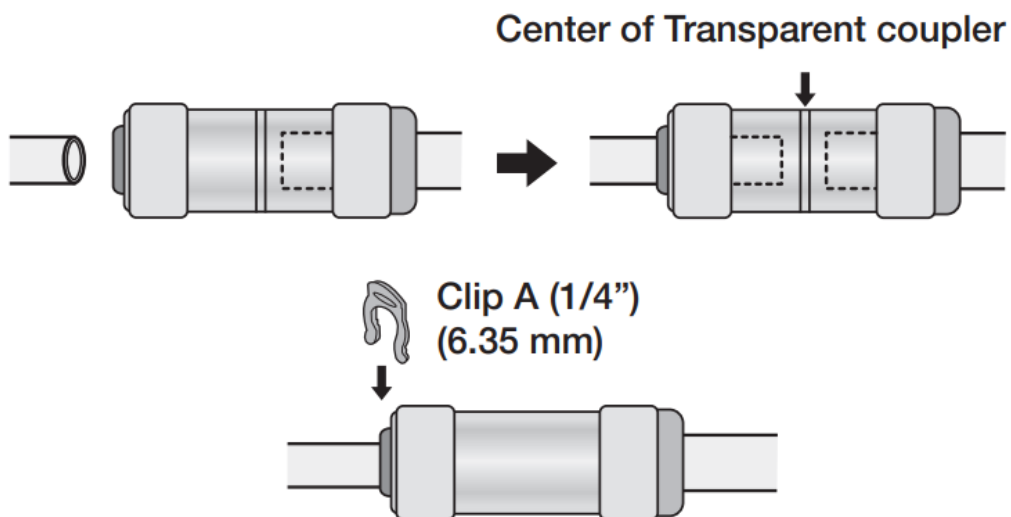
Secure the cover in place with the three screws you removed earlier using a Phillips screwdriver.



5. RE-ATTACH THE WATER SUPPLY

LINER

1. The Water Line must be fully Inserted to the center of the transparent coupler to prevent water leakage from the dispenser.
2. Insert the 2 clips in the install pack and check that each clip holds the line firmly.



CAUTION

Keep the clips out of the reach of children and make sure that children do not play with them or put them into their mouths.

LEVELING THE REFRIGERATOR AND ADJUSTING THE HEIGHT AND GAP OF THE DOORS

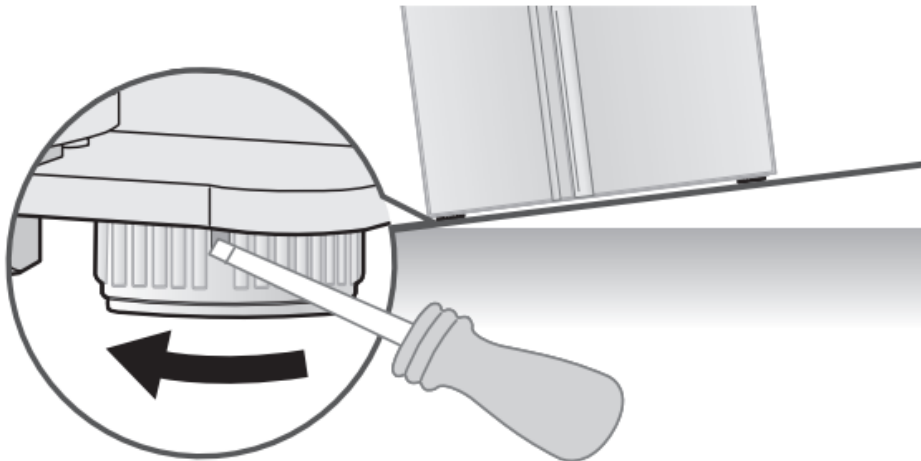
How to level the refrigerator

If the front of the appliance is slightly higher than the rear, the door can be opened and closed more easily.

Setting up the refrigerator on an uneven surface will cause the refrigerator to lean.

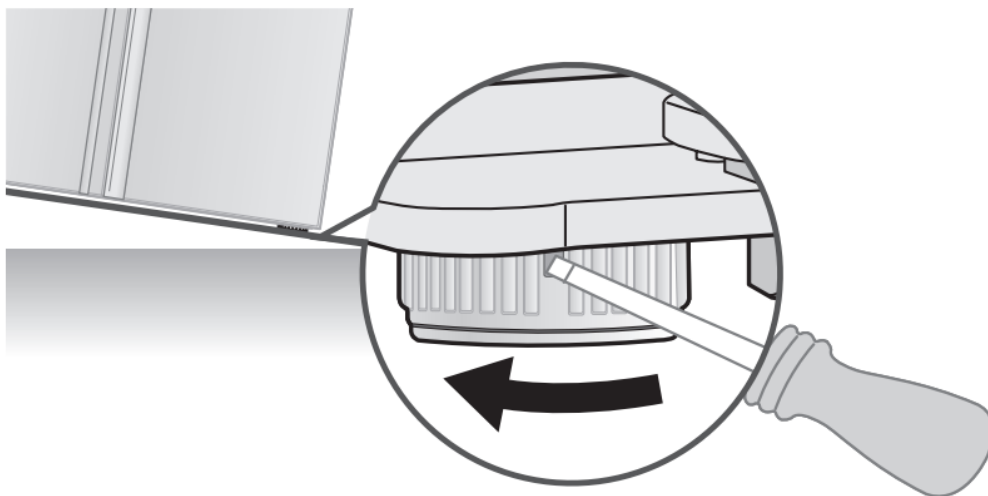
If the freezer side is lower:

- Insert a flathead screwdriver into the height leveler located at the bottom back of the freezer door and turn it in the direction of the arrow until it is level.



If the refrigerator side is lower:

- Insert a flathead screwdriver into the height leveler located at the bottom back of the refrigerator door and turn in the direction of the arrow until it is level.



- Raise the front of the refrigerator so that the doors close by themselves.

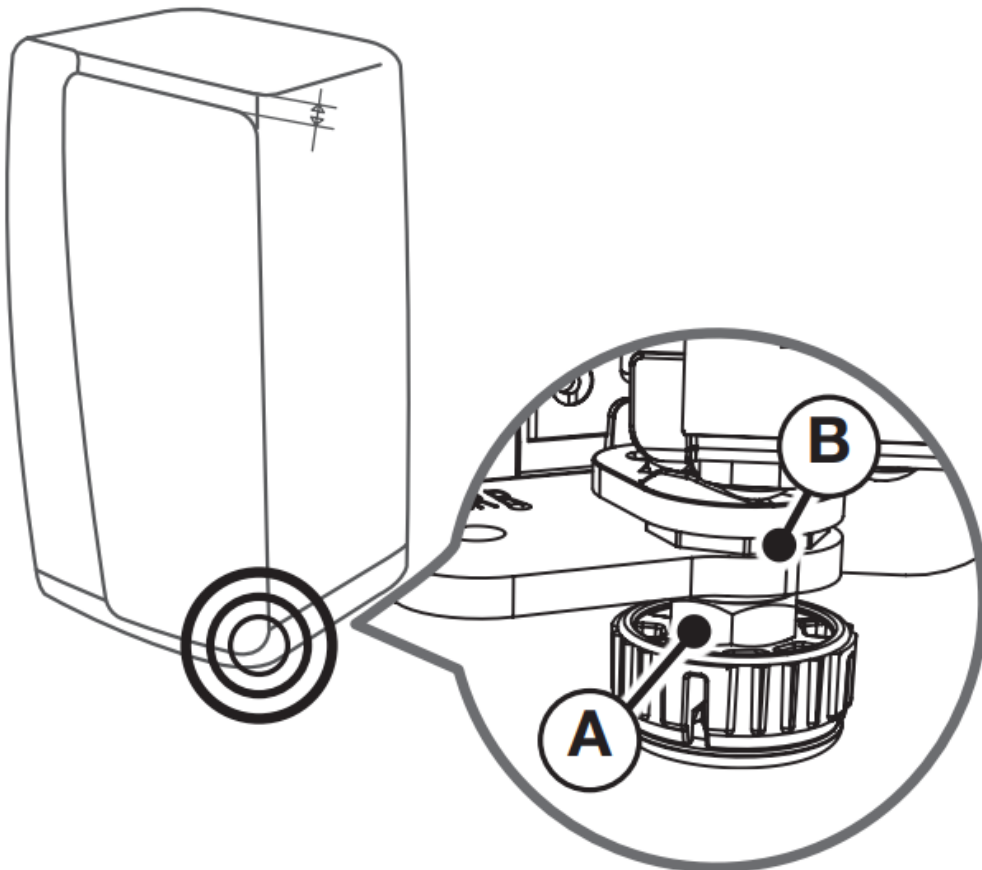
Adjusting the levelers so that the back of the refrigerator is much higher than the front of the refrigerator can make it difficult to open the doors.

- If the back of the refrigerator is not level, put an appropriately sized thin piece of wood or tile where the refrigerator leg you want to raise will be set, and then secure it in place using tape. Slide the refrigerator into its spot, with the back leg you want to raise on the tile or wood. Then, adjust the level of the front legs.
- When pushing the refrigerator in, be careful not to damage the floor.

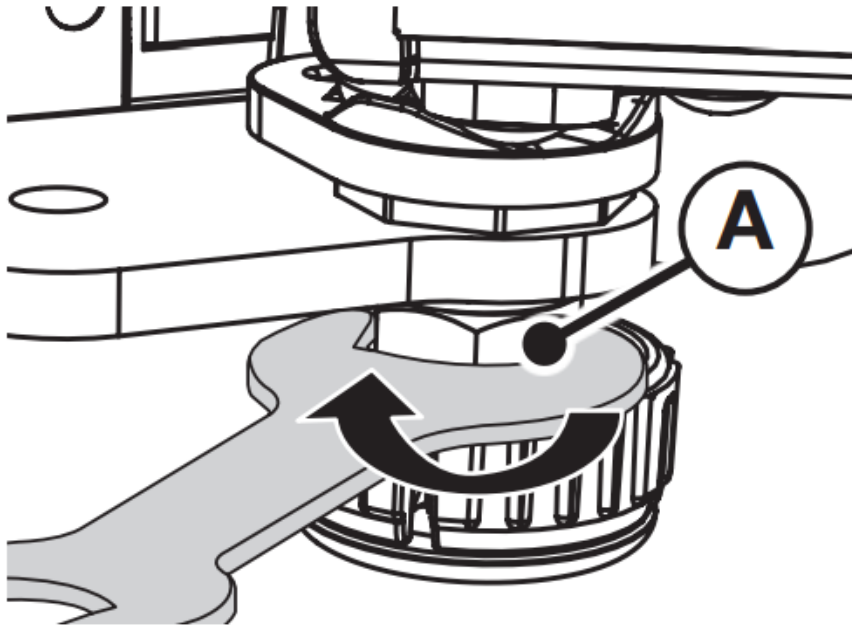
HOW TO ADJUST THE DOOR HEIGHT

If one door is lower than the other:

- The refrigerator door height can be adjusted using the adjustment nuts located at the bottom of each door.
- Raising the door too high can cause the door to interfere with the hinge cover when it is opened or closed.



1. Open the door that needs to be adjusted and loosen the clamping nut (A) at the bottom of the door by turning it clockwise () using the spanner included in the product package. (Raise the lower of the two doors first.)



2. Adjust the height of the door by turning the adjustment nut (**B**) counterclockwise



with a spanner.

(Turn it counterclockwise

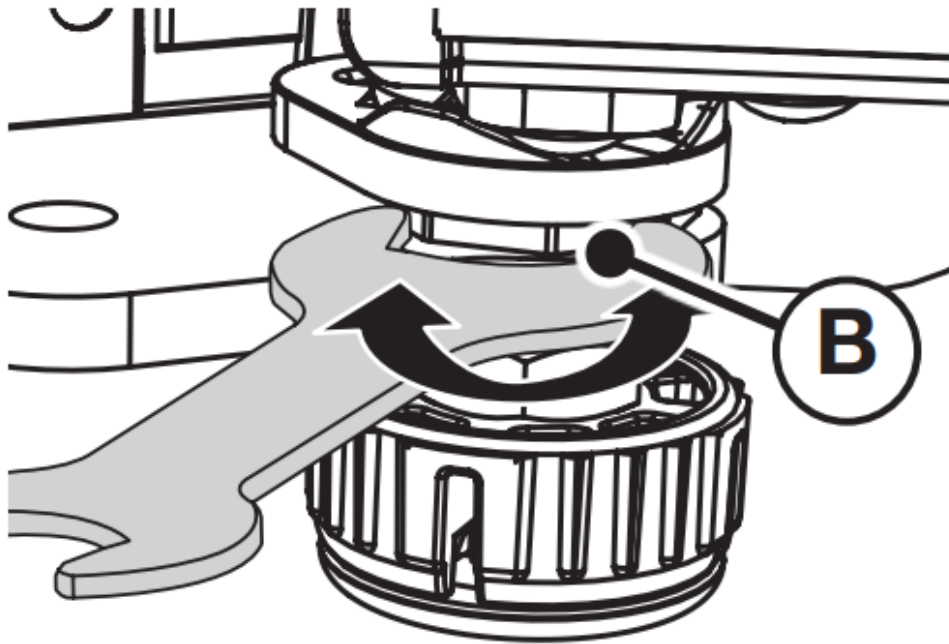


to increase the height of the door and clockwise



to decrease it.)

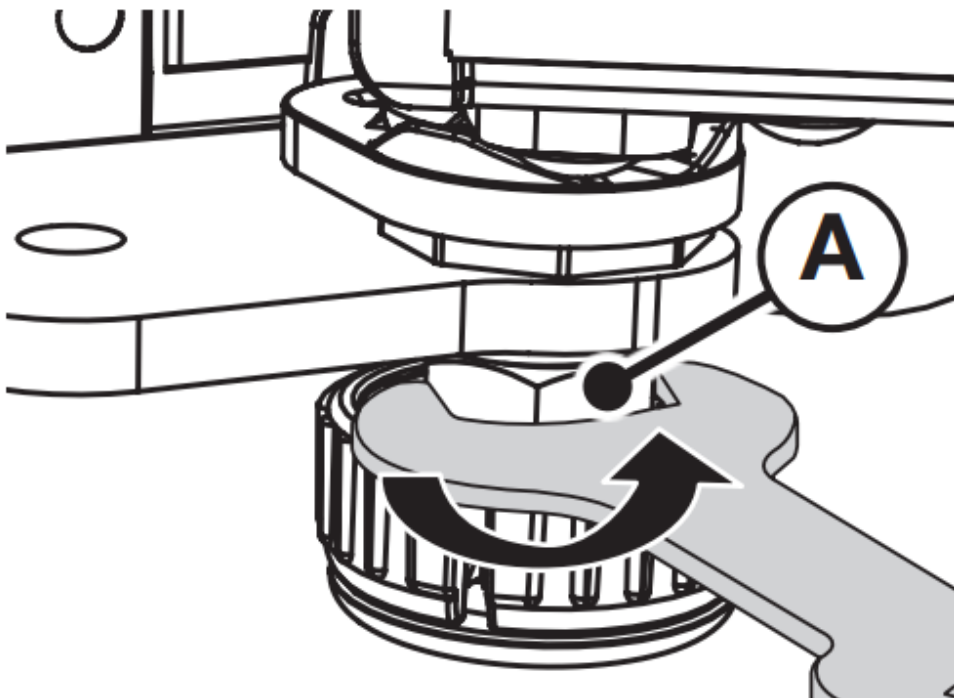
- Open the door and adjust it from the inside.



3. Once the doors are level, turn the clamping nut (A) counterclockwise



to tighten it.



Adjusting the level when the refrigerator is empty can result in the refrigerator becoming uneven again once items have been placed inside.

If this occurs, adjust the level again.

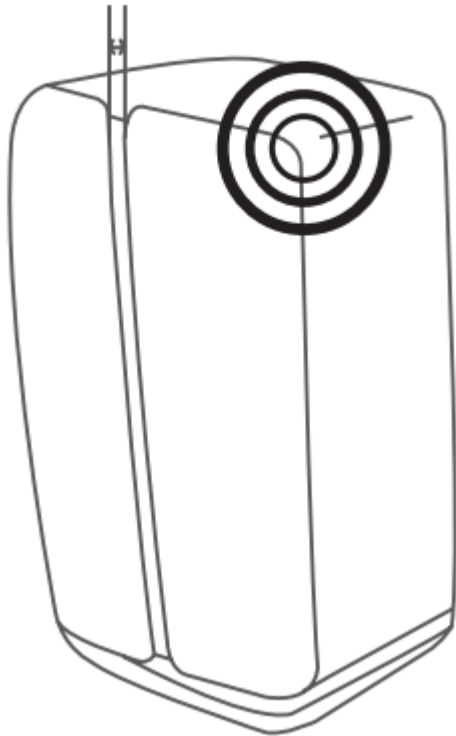
HOW TO ADJUST THE GAP BETWEEN THE DOORS

If the gap between the refrigerator door and the freezer door is uneven:

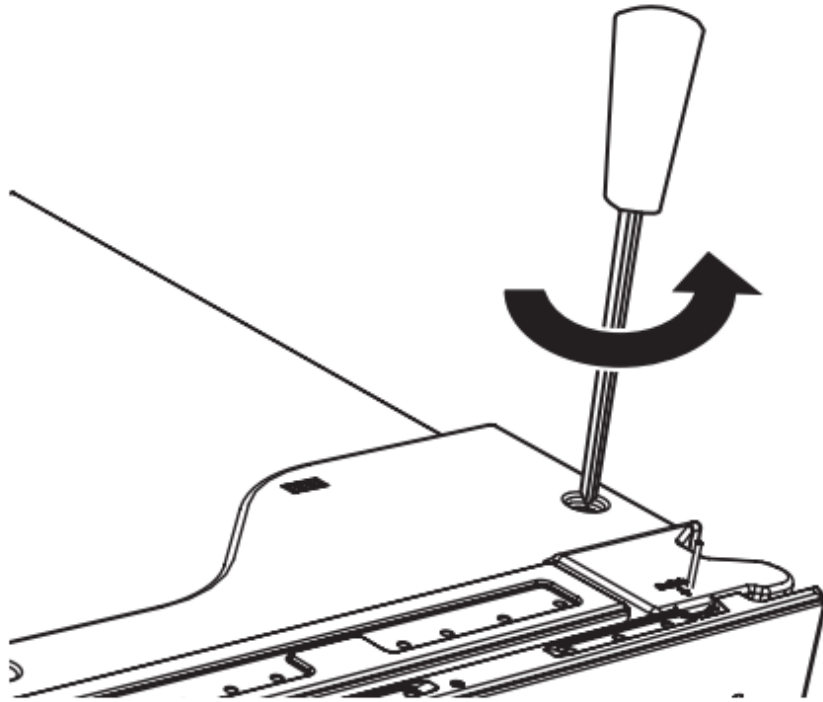
- Use the gap adjustor located at the top of the refrigerator door (right side).
- Excessive force can cause the adjustor bolt to break.

1. Remove the refrigerator door's hinge cover.

- Detach the hinge cover with the door open and then close the door once the hinge cover has been detached.



2. Adjust the gap using a 4 mm Allen wrench (not included).



3. Rotate the bolt clockwise

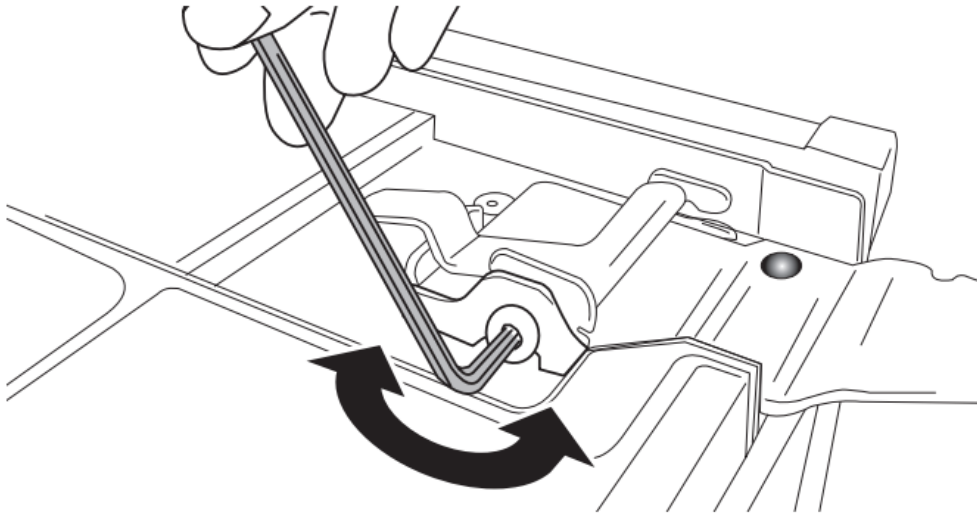


to widen
the gap. Rotate it counterclockwise



to narrow the gap.

Adjust until the gap between the refrigerator door and the freezer door appears even.



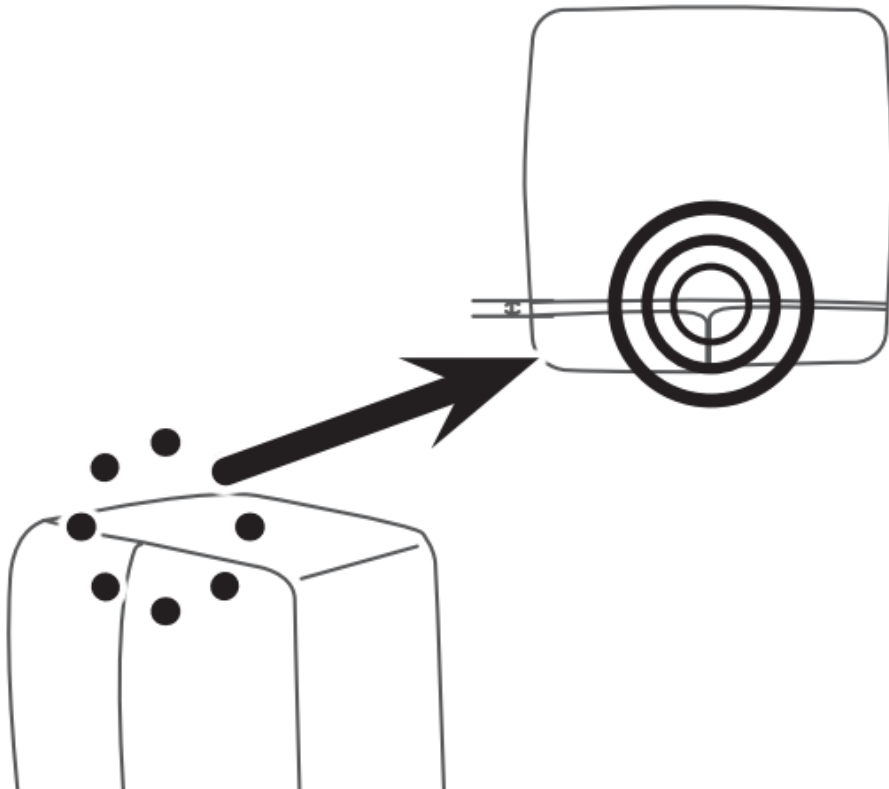
CAUTION

When arranging the cables, take caution not to tear or peel off the cable coating.

HOW TO ADJUST THE GAP BETWEEN THE REFRIGERATOR DOOR AND THE REFRIGERATOR BODY

If the gap between the refrigerator door and the refrigerator is uneven :

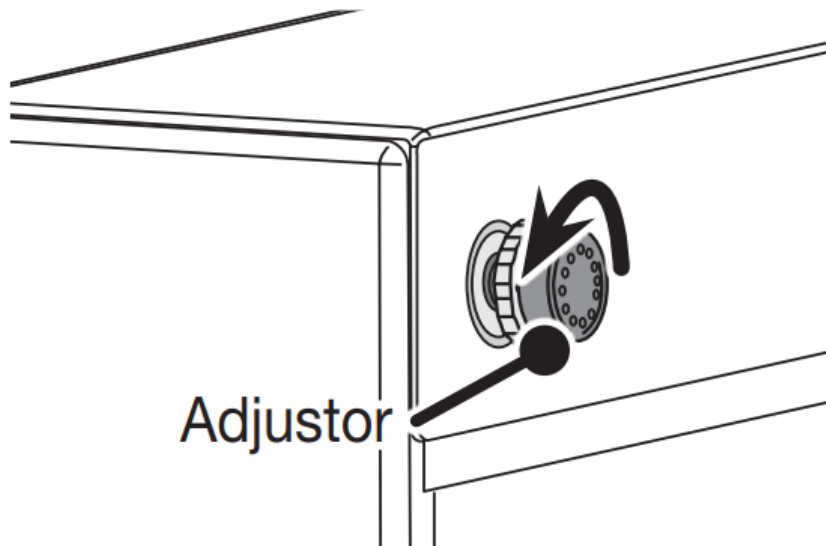
- Use the adjusters located at the top edge of the refrigerator, inside each door.



1. Open the door where the gap with the refrigerator is narrower and then turn the adjustor counterclockwise (



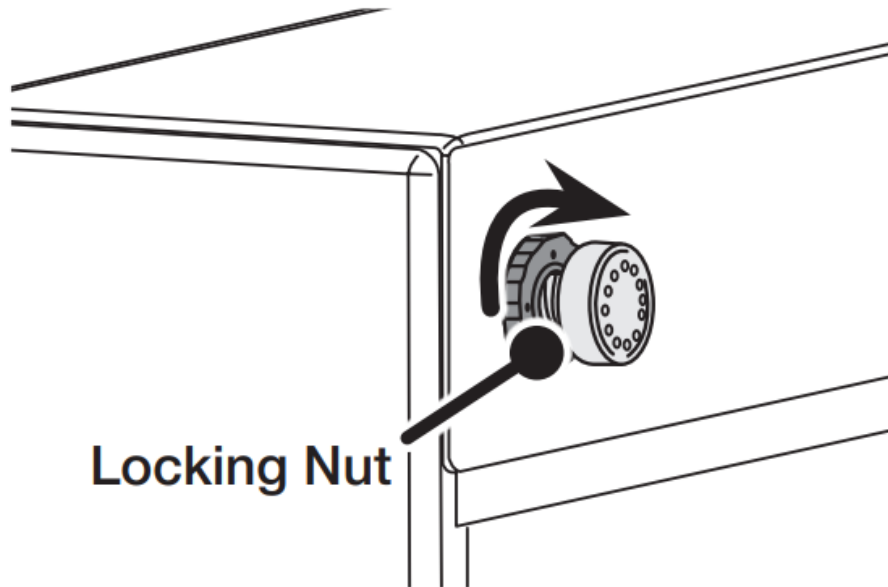
) until the gap is even.



2. Once the gap between the door and the refrigerator has been adjusted, turn the adjustor nut clockwise (



) to lock the adjustor in place.



INSTALLING THE WATER DISPENSER LINE_

A water dispenser is one of the helpful features on your new Samsung Refrigerator.

To help promote better health, the Samsung water filter removes unwanted particles from your water. However, it does not sterilize or destroy microorganisms.

You may need to purchase a water purifying system to do that.

The water line also connects to the ice maker.

For the ice maker to operate properly, water pressure of 20 ~ 125 psi (138 ~ 862 kPa) is required.

If the refrigerator is installed in an area with low water pressure (below 20 psi), you can install a booster pump to compensate for the low pressure. After you have connected the water line, make sure the water storage tank inside the refrigerator is properly filled.

To do this, press the water dispenser lever until water runs from the water dispenser.

Water line installation kits are available at extra cost from your dealer.

We recommend using a water supply kit that contains copper tubing.

The Samsung refrigerator warranty does not cover water line installation.

We strongly recommend you have a plumber or authorized installer install the water line.

Connecting to the water supply line

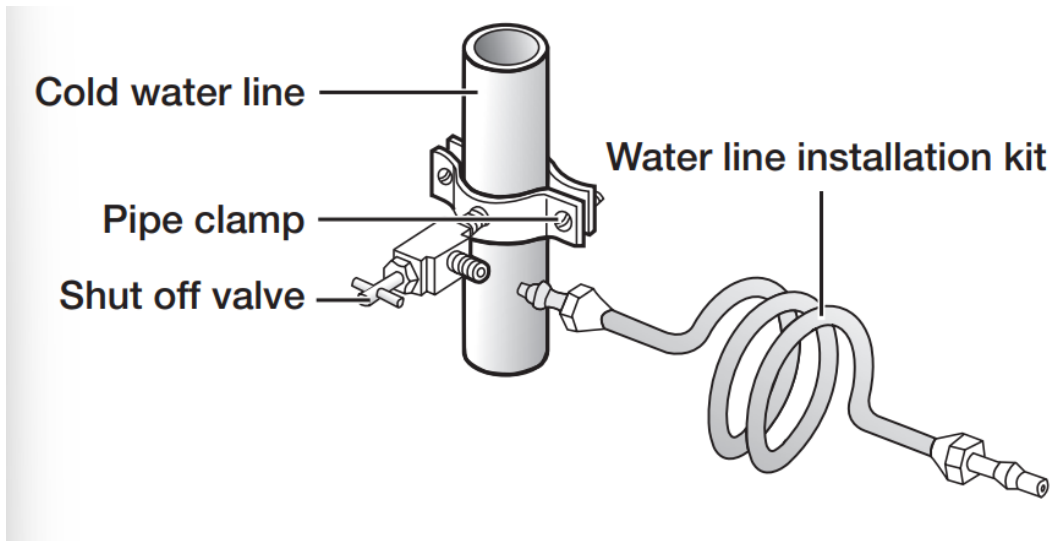
1. First, shut off the main water supply line and turn the ice-maker off.

The refrigerator should NOT be plugged in I*—J at this point.

2. Locate the nearest cold water drinking water line.

3. Install the pipe clamp and shut off valve.

4. Connect the water line installation kit to the shut off valve.

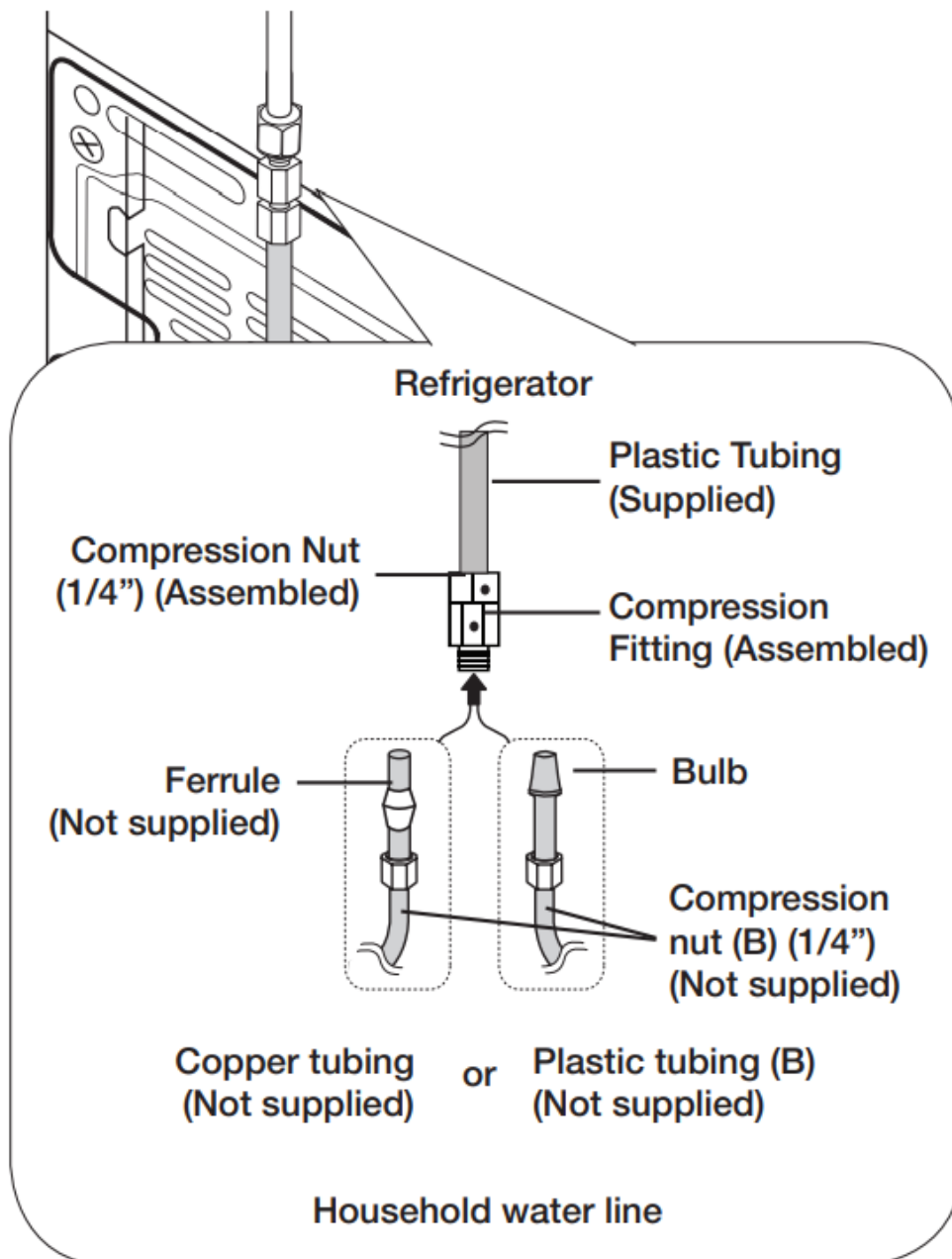


Connecting the water supply line to the refrigerator

There are several items that you need to purchase to complete this connection.

You may find these items sold as a kit at your local hardware store.

Use Copper Tubing	Use Plastic Tubing
<ul style="list-style-type: none">• 1/4" copper tubing• 1/4" compression nut (1pc)• Ferrule (2pc)	<ul style="list-style-type: none">• 1/4" plastic tubing → Molded end (Bulb)• 1/4" compression nut (1pc)



1. Connect the household water line to the assembled compression fitting.

- If you are using copper tubing, slip the compression nut (**B**) (not supplied) and ferrule (not supplied) on the copper tubing (not supplied) as shown.

- If you are using plastic tubing (**B**), insert the molded end (Bulb) of the plastic tubing (**B**) into the compression fitting.

CAUTION

Do not use plastic tubing (**B**) without the molded end (Bulb).

2. Tighten the compression nut (**B**) onto the compression fitting.

Do not over-tighten the compression nut (**B**).



3. Turn the water on and check for any leaks inside the refrigerator, around the water filter, and in any connection areas.

If you find water drops or leaks, turn off the main water supply.

If the leaks are in the connection areas, check the connections and, if necessary, tighten.

If there are leaks in the refrigerator, check the water filter and confirm it is in the locked position.

Turn on the water supply and check for leaks again.

4. Plug in the refrigerator.

5. Flush 1 gallons of water through the filter before drinking or using the water from the refrigerator. (Flush approximately 6 minutes.)

This will clean the water supply system and remove air from the lines.

To flush, press the Water button, and then press a large glass or cup against the water dispenser lever. Fill the glass, empty it into the kitchen sink after it is filled, and then repeat.

Additional flushing may be required in some households.

6. Open the refrigerator door and make sure there are no water leaks coming from the water filter.

After you turn on the refrigerator, let the ice maker make ice for 1 to 2 days. Over that period of time, throw out the first 1 or 2 buckets of ice the ice maker makes to ensure all impurities have been removed from the water line.

Only connect the water line to a drinkable water source.

- If you have to repair or disassemble the water line, cut off 1/4" of the plastic tubing to make sure you get a snug, leak-free connection.
- You can test the water line quickly using a paper cup.

Under normal conditions, the water dispenser can fill a 5.75 oz. (170 cc) cup in about 10 seconds.

COMPLETING THE SET UP

Now that you have your new refrigerator installed in place, you are ready to set up and enjoy the features and functions of the appliance.

By completing the following steps, your refrigerator should be fully operational.

1. Make sure your refrigerator is in an appropriate location with reasonable clearance between it and the wall. Refer to installation instructions in this manual.
2. Once the refrigerator is plugged in, make sure the interior light comes on when you open the doors.
3. Set the Temperature control to the coldest temperature and wait for an hour.

The freezer will get slightly chilled and the motor will run smoothly.

Reset the refrigerator and freezer to the temperatures you want.

4. After you plug the refrigerator in, it will take a few hours to reach the appropriate temperature.

You can store food and drinks in the refrigerator after the temperature is sufficiently cool.

5. Once installation is complete, press the dispenser lever to check if the water or the ice is properly dispensed.

6. Make sure the front side of the refrigerator is

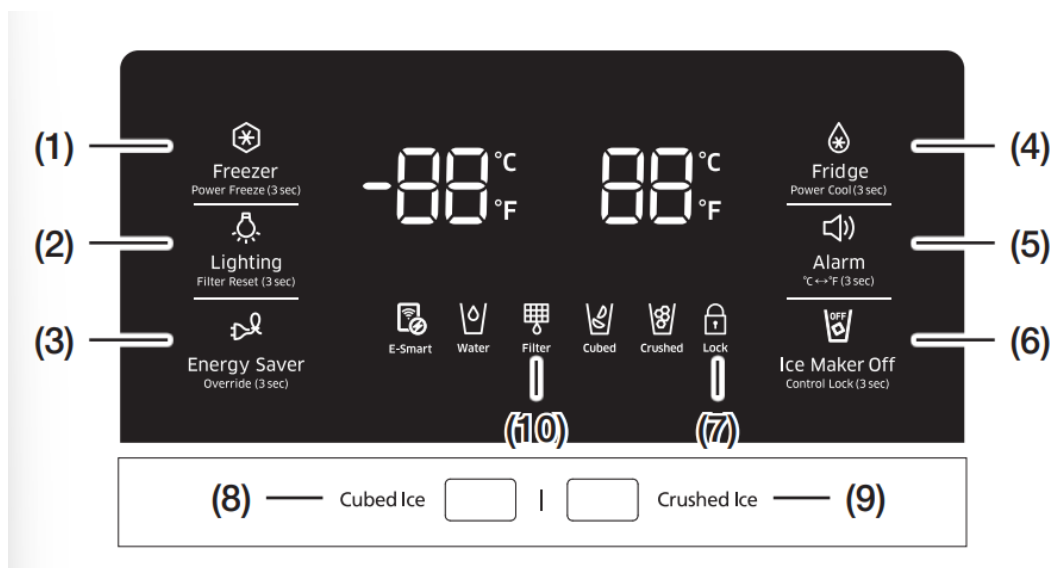
0.6 degree higher than its rear side.

If condensation or water drops appear on both sides of the fridge door's central part, turn the Energy Saver mode off after removing the condensation.

(See the explanation of the Energy Saver button in "Using the Control Panel" on page 22.)

Operating the SAMSUNG side by-side refrigerator

USING THE CONTROL PANEL



(1) Freezer / Power Freeze (3sec)

The Freezer button serves two purposes:

- To set the Freezer to your desired temperature.
- To turn the Power Freeze function on and off.

1. To set the Freezer temperature, touch the Freezer button.

You can set the temperature between 5 °F (-15 °C) and -8 °F (-23 °C).

2. Power Freeze function Touch and hold this button for 3 seconds to decrease the time needed to freeze products in the Freezer.

It can be helpful if you need to quickly freeze easily spoiled items or if the temperature in the freezer has warmed dramatically.

(For example, if the door was left open.) When you use this function, the energy consumption of the refrigerator will increase.

Remember to turn it off when you don't need it and return the freezer to your original temperature setting.

If you need to freeze a large amount of food, activate the Power Freeze function at least 20 hours before you put the food into the freezer.

(2) Lighting / Filter Reset (3sec)

The Lighting button serves two purposes:

- To turn the dispenser light on and off
- To reset the water filter life indicator.

1. Light Function

Touching the Lighting button turns on the Dispenser LED lamp in continuous mode so that it stays on continuously. The button also lights up. If you want the Dispenser lamp to come on only when some one uses the dispenser, press the Lighting button to turn the continuous mode off.

2. Filter Reset (3sec) Function After you replace the water filter, touch and hold this button for 3 seconds to reset the water filter life indicator.

When you reset the water filter life indicator, the Filter icon on the panel turns Off.

The Filter icon turns red to let you know it is time to change the filter.

See page 25 for more information.

(3) Energy Saver / Override (3 sec)

Touching this button turns Energy Saver mode on and off.

When you turn Energy Saver on, the Energy Saver icon lights.

Turn Energy Saver off and the icon goes off.

The Energy Saver function automatically turns on when power is supplied to the refrigerator.

If condensation or water drops appear on the doors, turn the Energy Saver mode off. Override: Press the Energy Saver / Override (3 sec) button for 3 seconds to turn on the Override function.

When the Override function is on, the refrigerator ignores the SMART GRID (Demand Response) signal.

See page 27 for details.

(4) Fridge / Power Cool (3sec)

The Fridge button serves two purposes:

- To set the Fridge to your desired temperature.

- To turn the Power Cool function on and off.

1. To set the Fridge temperature, press the Fridge button.

You can set the temperature between 34 °F (1 °C) and 44 °F (7 °C).

2. Power Cool function Touch and hold this button for 3 seconds to decrease the time needed to cool products in the Refrigerator.

It can be helpful if you need to quickly cool easily spoiled items or if the temperature in the fridge has warmed dramatically. (for example, if the door was left open)

(5) Alarm / °C^°F (3sec)

The Alarm button serves two purposes:

- To turn the door open alarm on and off

- To switch the temperature units between °C and °F.

1. Door Alarm Function If the door alarm is set to On, an alarm beeps if a refrigerator door is left open for more than two minutes.

The beeping stops when you close the door. The door alarm function is pre-set to On in the factory.

You can turn it off by pressing and then releasing the Alarm button.

You can turn it back on in the same fashion.

The icon lights up when the function is on. When the Door Alarm function is on and the alarm sound is triggered, the Door Alarm Icon will blink while the alarm sounds.

2. To switch the temperature units between °C and °F.

Touch and hold this button for 3 seconds to select the temperature display you want.

Each time you press and hold the button, the °C and °F temperature modes alternate and the °C or °F icon lights up, indicating your selection.

(6) Ice Maker Off

The Ice Maker Off button serves two purposes:

- To turn the Ice maker on and off

- To turn the Control Lock Function on and off.

- Note that Ice Maker Off mode will be deactivated if you press and hold the ice lever for more than 5 seconds.

1. Ice Maker Off Function

If you don't want to make more ice, press

the Ice Maker Off button.

2. Control Lock Function Touch and hold this button for 3 seconds to lock the display and the dispenser buttons so the buttons cannot be used. When Control Lock is on, the refrigerator does not dispense ice or water, even if the Dispenser Lever is pressed.

The Control Lock icon lights up to indicate you've activated the Control Lock function. Press 3 seconds to unlock.

If the ice maker function is ON, and the water Line is not connected, there will be a water valve noise from the back of the unit. Press the Ice Maker Off (Control Lock (3sec)) button for less than 3 seconds until the Ice Off Indicator (®) illuminates.

Display Off

To conserve energy, the Panel Display turns off automatically under the following conditions: When no button has been pressed, when no doors are open, or when no Dispenser Lever has been pushed for a period of time.

However, the icon indicating your cubed or crushed ice selection, will stay on.

When you press a button, open a door, or push a Dispenser Lever, the Panel Display turns on again. Except for the Water, and Cubed / Crushed Ice buttons, all function buttons become operational after you remove your finger from the button you are currently pressing.

(7) Control Lock Icon

If you press and hold the Ice Maker Off/Control Lock Button (') for 3 seconds, this icon lights and the Control Lock function is activated.

When the Control Lock icon is lit, all the panel buttons, including the Ice button and the dispensers, are locked and deactivated.

To turn off the Control Lock function, press and hold the Ice Maker Off/Control Lock Button () for 3 seconds.

Water



The indicator is supposed to turn on at all times as it indicates that the water can be dispensed properly.

(8) Cubed Ice (9) Crushed Ice

Press the Cubed Ice or Crushed Ice button to select the type of ice you want dispensed.

Each time you press the button, the cubed and crushed ice modes alternate and the Cubed or Crushed ice icon lights up, indicating your selection.

If you don't need ice, turn the function off to save on water and energy consumption (See Ice Maker Off below).

(10) Filter Icon

Water filter usage

This icon lights when you need to change the filter, usually after the refrigerator has dispensed about 300 gallons of water (after about 6 months).

The icon will blink red for several seconds when you open or close the door.

After you install the new water filter, reset the filter indicator by touching and holding the Hold 3sec for Filter Reset button for 3 seconds.

- If water is not dispensing or dispensing slowly, you need to replace the water filter because the water filter is clogged.

- Some areas have large amounts of lime in their water, which causes the water filter to clog more quickly.

If this is the case in your area, you will need to change the water filter more frequently than every six months.

Cooling Off Mode



Cooling Off mode (also called Shop mode), is designed for use by retailers when they are displaying refrigerators on the shop floor.

In Cooling Off mode, the refrigerator's fan motor and lights work normally, but the compressors do not run, and the refrigerator and freezer do not get cold.

To start Cooling Off mode, touch and hold the Freezer, Lighting and Fridge buttons for 5 seconds during normal operation.

The refrigerator chime sounds and the temperature display flashes OFF.

To cancel Cooling Off mode, touch and hold the Freezer, Lighting and Fridge buttons again for 5 seconds.

CAUTION

If your refrigerator appears to be working, but it is not cooling, and the Freezer and Fridge Temperature Indicators are moving, the Fridge is in Cooling Off mode.

To cancel Cooling Off mode, follow the directions above.

E-Smart



The E-Smart icon lets you can check the status of the refrigerator AP connection (network connection).

- When connected to the AP : The E-Smart icon is on.
- When not connected to the AP : The E-Smart icon is off.

E-SMART Refrigerator Features

How to get the most out of your E-Smart refrigerator.

Getting Connected_

To use the Smart Grid (Demand Response) and E-Smart function on your Refrigerator, you need the following devices and apps:

- Devices: 1) Wireless Router, 2) Samsung E-Smart Refrigerator, 3) Smartphone (Recommended: Galaxy S4, Galaxy Note3/ Android OS Jelly bean).
- Applications: 1) "Samsung E-Smart App" from the Google Play Store or Samsung Apps.

In addition, you need to:

- Connect the Refrigerator and the Smartphone to the same Wi-Fi network in your home.
- Install and run Samsung E-Smart App on your Smartphone.

In addition, to use the Smart Grid (Demand Response) function, you must register for the service with your electric company. The company must have an EMS (Energy Management System) that supports SEP (Smart Energy profile).

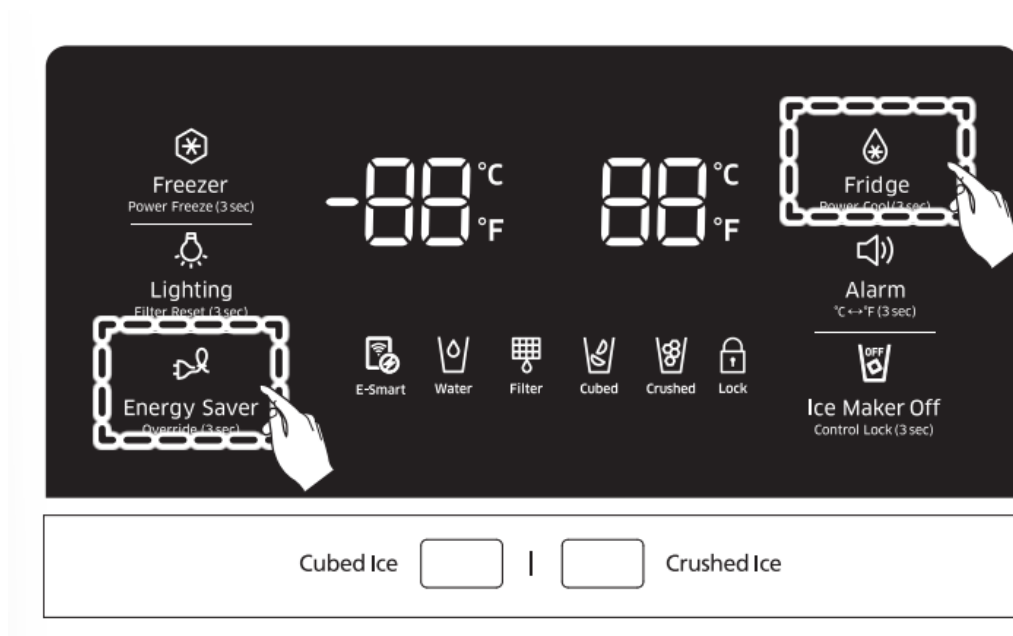
Downloading the E-Smart App and Connecting the Refrigerator to your Network_

1. On your Smartphone, connect to the app store (e.g. Google Play, etc.).
2. Search for the app using “Samsung E-Smart Ref.” as the keyword.
3. Download the app and install it on your phone.
4. Launch the app.

The network configuration screen appears.

5. Configure the AP information (SSID, Password, etc.) on the app screen.
6. Configure the network settings according to the instructions in the app.
7. On the refrigerator, press and hold the Fridge and Energy Saver buttons at the same time for 3 seconds.

The refrigerator enters the AP mode.



8. If you have completed the network settings properly, the app shows the home screen.

- Please confirm your Internet devices (AP, Smartphone) are working properly before configuring the network settings.

- This refrigerator supports the IEEE 802.11 a/b/g/n protocols.

Samsung Electronics recommends IEEE 802.11n.

- To connect the refrigerator to a wireless network, you have to connect the refrigerator to an AP (router or modem).

If the AP supports DHCP, you can connect the refrigerator to the Internet using DHCP or a fixed IP address.

- Set the channel of the AP to one not currently being used.

If the channel set for the AP is being used by another device nearby, it may result in interference.

- Most wireless networks allow you to configure network security settings.

If your network has a security password, you must enter the password to connect to the network.

• The refrigerator supports the following wireless security modes and encryption types:

- Security Mode: WEP, WPAPSK, WPA2PSK

- Encryption Type: WEP, TKIP, AES (WPA2PSK and AES are recommended.)

• The app supports indoor control only.

• The Samsung E-Smart Ref. app is optimized for Samsung Electronics Smartphones (Galaxy S4, Galaxy Note 3).

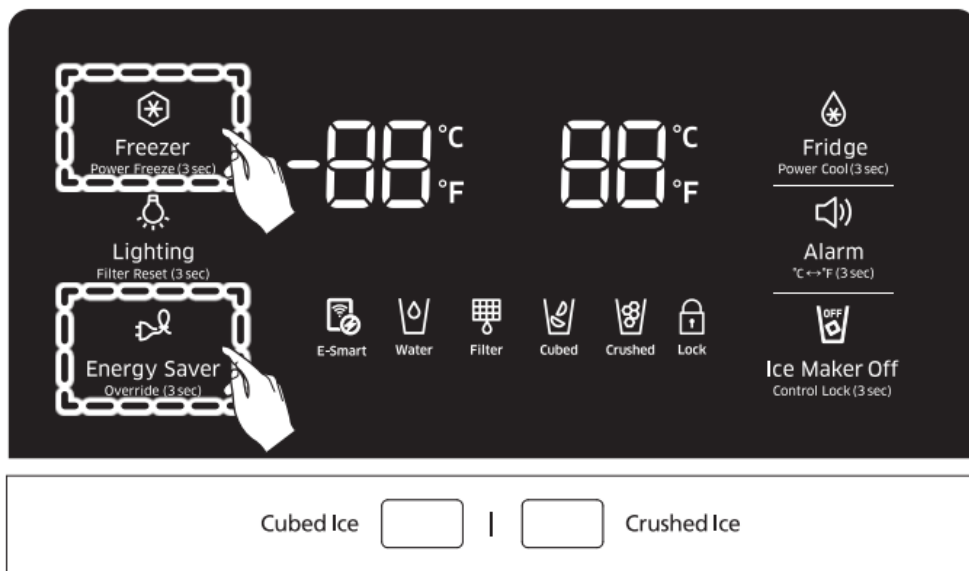
For other Smartphones, some functions may work differently.

• Supported Wireless Channel is 1 to 11.

MAC Address Display Mode_

This function displays the MAC address of the WiFi module on the refrigerator for one minute.

1. Press and hold Freezer and Energy Saver at the same time for 3 seconds.



2. A Buzzer sounds. Four of the twelve Mac address of the Wi-Fi module are displayed in turns in the freezer and fridge temperature displays for 1 minute.

For example, if the Wi-Fi module's MAC address is "11-22-33-44-55-66", the MAC address is displayed as follows: "11 22" ^ "33 44" ^ "55 66" ^ ---- ^ "11 22" for 1 minute.

3. After 1 minute, the Buzzer sounds again and the display returns to its normal state.

If the Mac addresses are not available or there is no Wi-Fi module, '—' is displayed on the freezer and fridge temperature displays.

SMART GRID Function (Demand Response)_

When the refrigerator operates in SMART GRID (Demand Response) mode, the E-Smart Refrigerator function can control energy usage or delay the operation of some functions to save money when energy prices or demand are the highest.

You can deactivate the SMART GRID (Demand Response) function at any time. (Using the Override On/Off function)

To use the SMART GRID (Demand Response) function, you need a separate contract with your electric Utility company.

Using the SMART GRID (Demand Response) Function_

This feature monitors energy prices and demand information from your utility company and sends notifications to the refrigerator to run high energy-consuming tasks during off-peak times when electricity costs and demand are lower.

If the refrigerator receives a control signal from the Utility Company, the refrigerator will display the DAL(L3) ~ TALR(L4) levels on the refrigerator display and control the power consumption according to the level.

[Exception condition] The DAL and TALR control signals from an Utility Company work as long as product performance is maintained.

If the refrigerator receives the SMART GRID (Demand Response) signal (DAL or TALR), the refrigerator will operate in Delay Appliance Load (Display:L3) or Temporary Appliance Load Reduction (Display:L4) mode.

- Delay Appliance Load (L3): The refrigerator responds to a DAL signal by providing a moderate load reduction for the duration of the delay period.

This function controls functions that consume a large amount of energy such as adjusting the Cooling system, performing the defrost cycle, and making ice.

- When the refrigerator operates in DAL (L3) mode, "L3" is displayed on the refrigerator display.
- DAL mode is automatically deactivated after it lasts for the received duration (max. 4.5 hours), or when the Override key is pressed.

- Temporary Appliance Load Reduction (L4):

The refrigerator responds to a TALR signal by aggressively reducing the load for a short time period.

This function reduces energy consumption by stopping the compressor and controlling the functions that consume a large amount of energy such as the defrost cycle and making ice.

- When the refrigerator operates in TALR (L4) mode, "L4" is displayed on the refrigerator display.

- TALR (L4) mode is automatically deactivated after it lasts for the received duration (max. 15 minutes), or when the Override key is pressed. The mode is immediately deactivated and the refrigerator returns to the normal state when the door is opened or closed, or the dispenser is used.

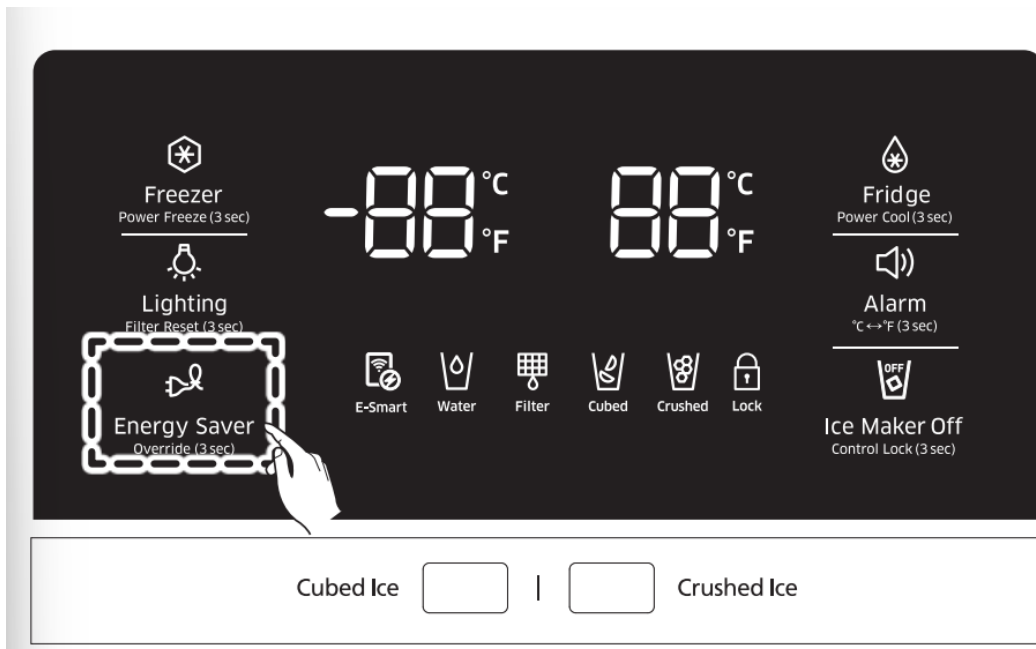
Override Mode

When you want the refrigerator to ignore the SMART GRID (Demand Response) signal from the Utility Company, you can activate OVERRIDE mode.

When you activate OVERRIDE mode, the refrigerator ignores the SMART GRID (Demand Response) signal and is not controlled by the Utility Company.

Activating and deactivating Override mode

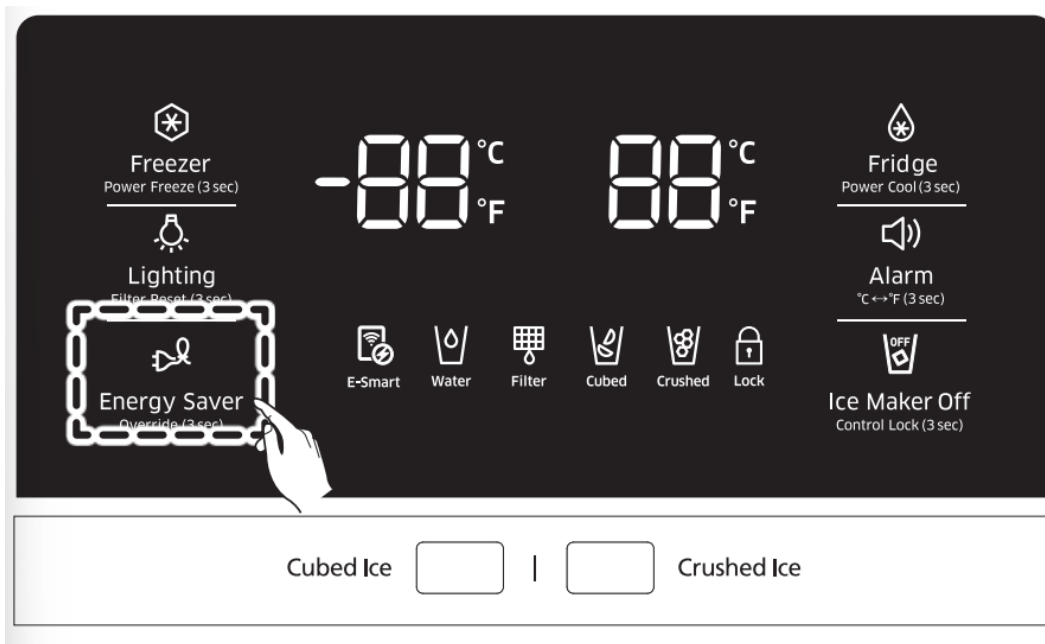
1. Press and hold the [Energy Saver] button for 3 seconds.



2. A buzzer sounds and 'Or' and 'on' is displayed on the freezer and fridge temperature displays for 5 seconds.

3. If the refrigerator receives a SMART GRID (Demand Response) signal from the Utility Company, 'Or' is displayed in the freezer temperature display.

4. To deactivate OVERRIDE mode, press and hold the [Energy Saver] button for 3 seconds.



5. A buzzer sounds and 'Or' and 'oF' is displayed on the freezer and fridge temperature displays for 5 seconds.

Alternatively, you can activate or deactivate OVERRIDE mode using the Samsung E-Smart App.

Using the E-SMART Function

The E-SMART function enables you to control and monitor your E-Smart refrigerator remotely for your convenience.

- To use the E-SMART refrigerator functions, you have to install the Samsung E-Smart App first.
- The app supports indoor control only.

E-Smart Features

1. Operational Status, User Settings & Messages.

- You can view the freezer and fridge temperature settings.
- You can receive an alarm when the freezer or fridge door is open for 2 minutes.

The door-open alarm indicator appears on the status bar of the top area of your mobile phone.

- You can check the DR and Override status.
- You can check the operational condition of the ice maker in the freezer.

2. Remote Management

- Power Freeze Setting: You can remotely activate the Power Freeze function.
- Power Cool Setting: You can remotely activate the Power Cool function.
- Ice On/Off Setting: You can remotely set up the Ice On/Off Setting function.

3. Energy Consumption Reporting

- Shows the accumulated power consumption. Power consumption data is updated every 10 minutes.

The energy consumption report may differ from the power consumption specifications of the product depending on the operating environment and the stored food.

default time settings.

The default time settings are below:

- 6 am to 10 am: 1st. November ~ 30th. April
- 3 pm to 7 pm: 1st. May ~ 31th. October

To change the time setting for the Delay Defrost Capability

You can change the time setting for the Delay Defrost Capability in the app.

Provision for Open Access to the Connected Product Requirements

1. SGIP Open Standards (Smart Energy Profile 2.0 - <http://www.csep.org/>)

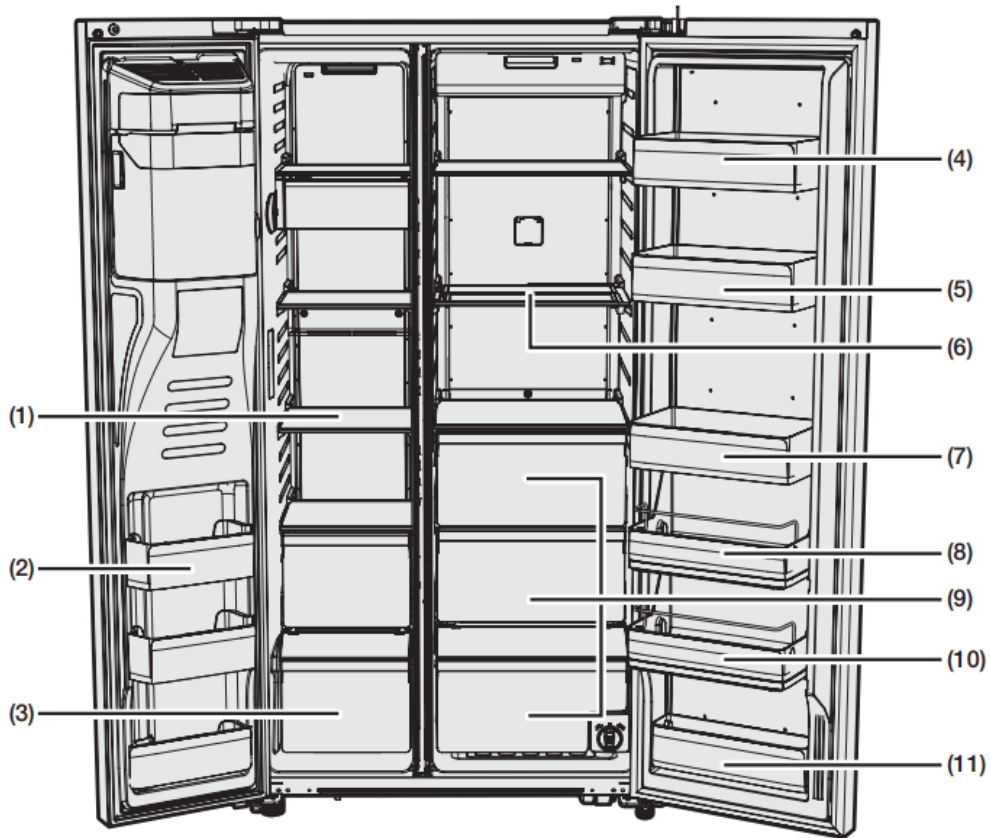
- Energy Consumption Reporting
- Demand Response

2. Samsung OPEN API

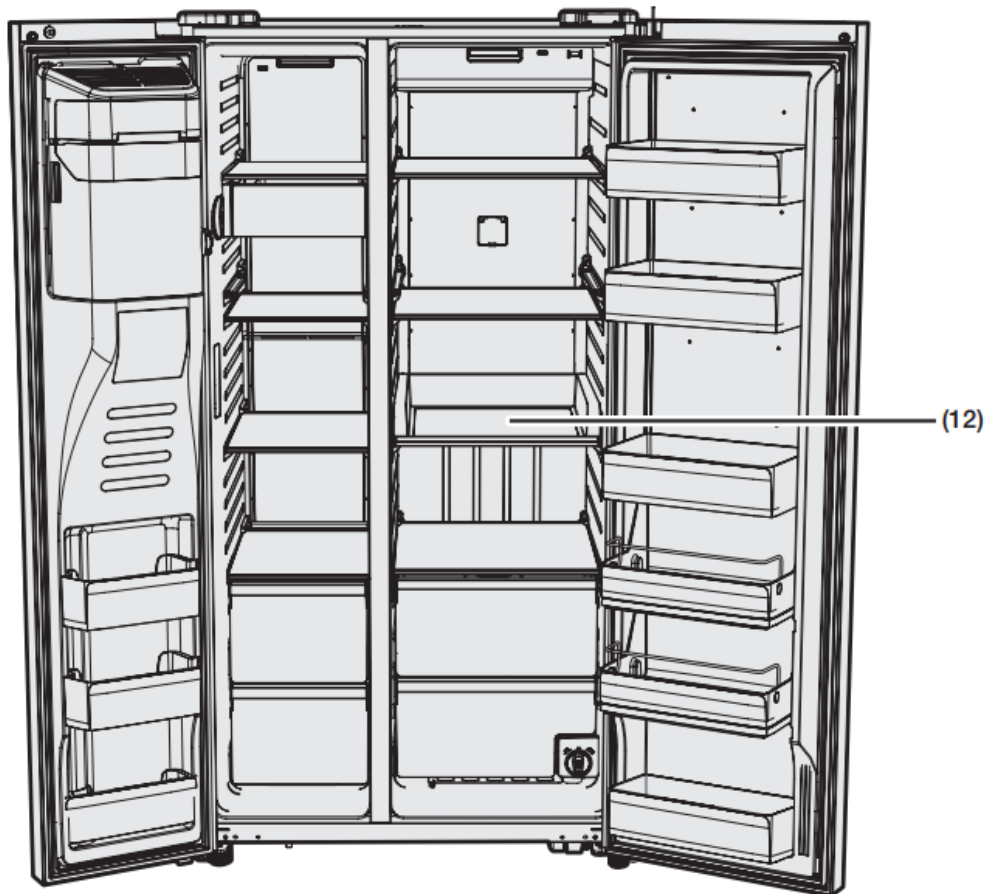
- Operational Status, User Settings & Messages
- ICE Maker Status: GET /external/ icestatus?icegetstatus=opt (relevant to the energy consumption of the product 1)
- Door Open Alarm: GET /devices/0/ Door?type=opt (relevant to the energy consumption of the product 2)
- DR Status: GET /external/drlc?drgetstatus=opt
- Delay Defrost Capability
- Set Schedule of the Defrost Delay:
POST /devices/0/defrost/addSchedule
- Get Schedule of the Defrost Delay :
GET /devices/0/defrost/getSchedule
- Delete Schedule of the Defrost Delay:
POST /devices/0/defrost/delSchedule
- Defrost Delay On/OFF: PUT /devices/0/defrost/ delayevent

PARTS AND FEATURES

Use this page to become more familiar with the parts and features of the Refrigerator. (This image may differ depends on the model.)



RH22*



RH29*

For the greatest energy efficiency, leave all selves, drawers, and baskets in their original positions, as shown in the illustrations above.

(1) Freezer Shelves

Use for storing meat, fish, frozen dumplings, ice

(2) Multipurpose Freezer Compartments

Features tall freezer compartments for more efficient food storage.

Do not use these compartments for ice cream or items you intend to store for a long time.

(3) Dried Food and Meat Storage Bin

Use for long-term storage of dried food and meat.

Wrap the items in aluminum foil or kitchen wrap before storing them.

(4) Cheese Case

Use for storing eggs, cheese, butter, and other types of dairy products.

(5) Sauce Case

Use for storing different types of sauces.



(6) Refrigerator Shelves

Use for storing general types of food that require refrigeration.

(7) Drink Case

Use for storing water, milk, juice, and other types of beverage.

(8) Snack Case (Optional)

Use for storing salads and side dishes.

(9) Well-Being Vegetable Bin

Use to keep fruit and vegetables fresh. cream and other types of frozen food.

(10) Kids' Case (Optional)

Located at a height within easy reach of children. Use for storing yogurt, snacks, and other items for kids.

(11) Multi Case

It is used for storing the dehydrated food such as dried noodle (spaghetti), beef jerky etc.

(12) EZ slide shelves (Optional)

Makes it easier to take out food.

WARNING

If you plan to go away for a significant amount of time, empty the refrigerator and turn it off. Wipe the excess moisture from the inside of the appliance and leave the doors open.

This helps keep odor and mold from developing.

If you do not intend to use the refrigerator for a long period of time, pull out the power plug. Deterioration in the power cord insulation may cause a fire.

Do not change the arrangement of shelves. (only RH22**model)

If you try to change the arrangement of shelves, you can damage to door.

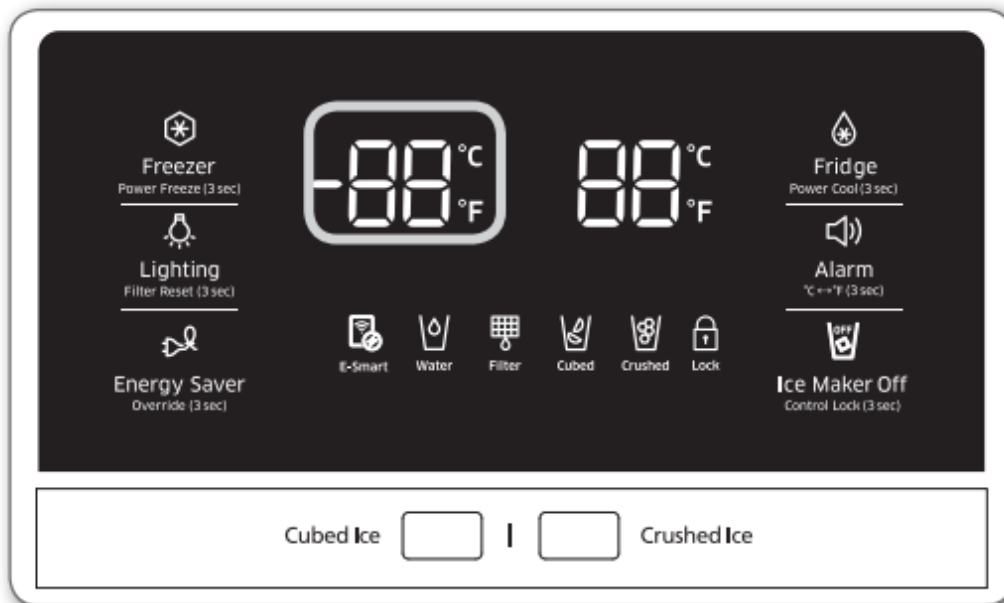
CONTROLLING THE TEMPERATURE

Basic temperature of Freezer and Refrigerator Compartments_

The basic and recommended temperatures of the Freezer and Fridge compartments are 0 °F and 37 °F (or -18 °C and 3 °C) respectively.

If the temperature of the Freezer or Refrigerator Compartments are too high or low, adjust the temperature manually.

Controlling the Freezer temperature



Recommend Temp (Freezer) : 0 °F (or -18 °C)

The Freezer temperature can be set between -8 °F and 5 °F (or between -23 °C and -15 °C) to suit your particular needs.

Press the Freezer button repeatedly until the desired temperature is shown in the temperature display.

The temperature will change by 1 °F (or 1 °C) with each press. See below.

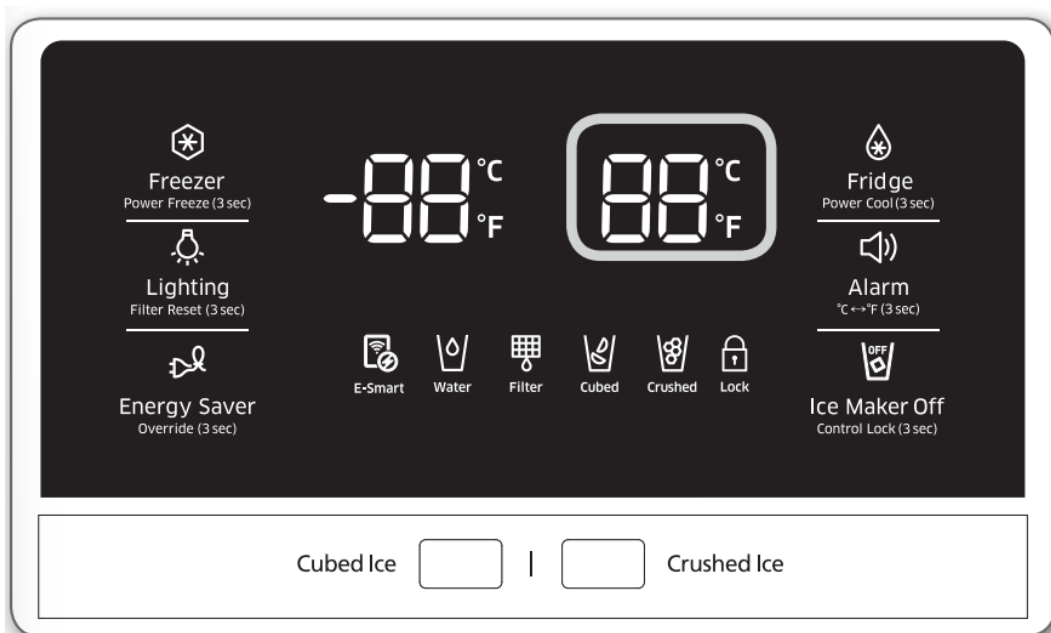
Fahrenheit : 0 °F → -1 °F → -2 °F → -3 °F → -4 °F
 → -5 °F → -6 °F → -7 °F → -8 °F → 5 °F → 4 °F →
 3 °F → 2 °F → 1 °F → 0 °F.

Centigrade : -18 °C → -19 °C → -20 °C → -21 °C
 → -22 °C → -23 °C → -15 °C → -16 °C → -17 °C
 → -18 °C.

Keep in mind that foods such as ice cream may/ melt at 4 °F (or -15.5 °C).

The temperature display will move sequentially from -8 °F to 5 °F (or from -23 °C to -15 °C).

Controlling the Fridge temperature



Recommend Temp (Fridge) : 37 °F (or 3 °C)

The fridge temperature can be set between 34 °F and 44 °F (or between 1 °C and 7 °C) to suit your particular needs.

Press the Fridge button repeatedly until the desired temperature is shown in the temperature display. The temperature will change by 1 °F (or 1 °C) with each press. See below.

Fahrenheit : 0 °F → -1 °F → -2 °F → -3 °F → -4 °F
 → -5 °F → -6 °F → -7 °F → -8 °F → 5 °F → 4 °F →
 3 °F → 2 °F → 1 °F → 0 °F.

Centigrade : -18 °C → -19 °C → -20 °C → -21 °C
 → -22 °C → -23 °C → -15 °C → -16 °C → -17 °C
 → -18 °C.

The temperature control process for the Fridge works just like the Freezer process. Press the Fridge button to set your desired temperature.

After a few seconds, the Fridge will begin adjusting towards the newly set temperature.

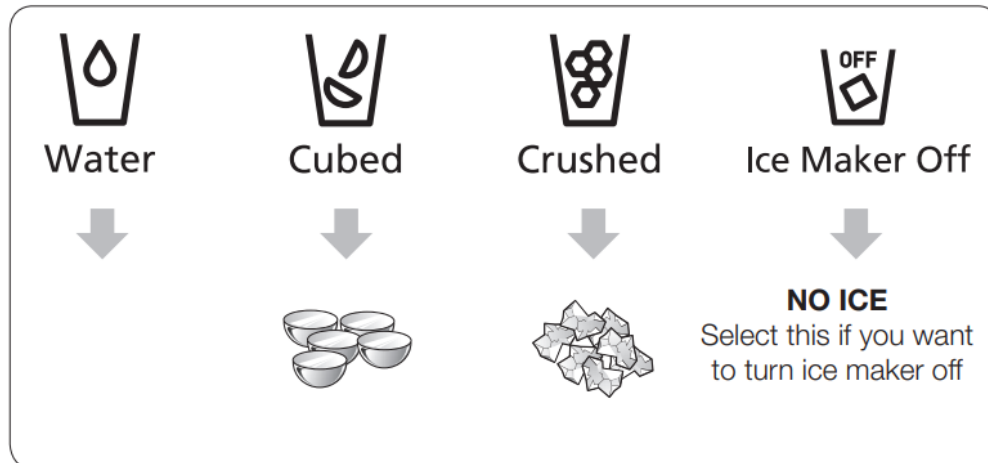
This will be reflected in the digital display.

- The temperature of the Freezer or Fridge may rise when you open the doors too frequently, or if a large amount of warm or hot food is placed inside.
- This may cause the digital display to blink. Once the Freezer and Fridge temperatures return to their normal set temperatures, the blinking will stop.
- If the blinking continues, you may need to “reset” the Refrigerator.

Try unplugging the appliance, waiting for around 10 minutes, and then plugging the power cord back in.

USING THE ICE AND COLD WATER DISPENSERS

Push the appropriate button to select what you want dispensed.



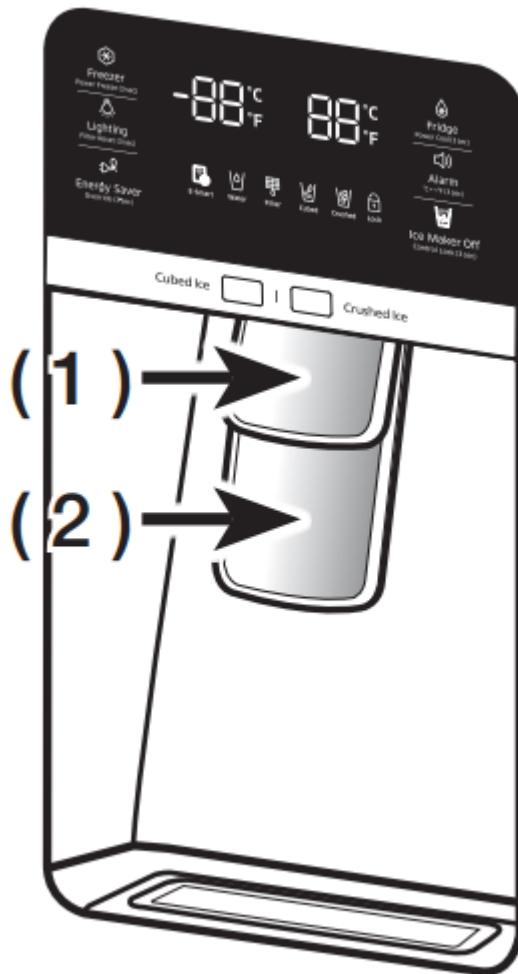
Using the ice lever (1)

Push the Ice lever dispenser (1) gently with your glass. Ice will be released from the dispenser.

You can choose the type of ice by pushing the cubed or crushed button first.

Make sure the glass is in line with the dispenser to prevent the ice from bouncing out.

If you select Cubed Ice after using the Crushed Ice feature, a small amount of residual crushed ice might be produced.



Using the Water lever (2)

Push the Water lever dispenser (2) gently with your glass.

Water will be released from the dispenser.

Even if you push the water and Ice lever at about the same time, the dispenser glass only the option you actually selected or pushed first.

Please wait 1 second before removing the cup after dispensing water to prevent spills.

Do not pull out the lever dispenser after dispensing ice or water.

It comes back automatically.

CAUTION

Please wait 2 seconds before removing the glass under the dispenser to prevent spills. If the Refrigerator door is open, the Dispenser does not work.

- Do not pull the lever out.

You could damage or break the lever's spring.

- To clean the ice bin/bucket, wash with a mild detergent, rinse well, and dry thoroughly it.

Do not use harsh or abrasive cleaners or solvents.

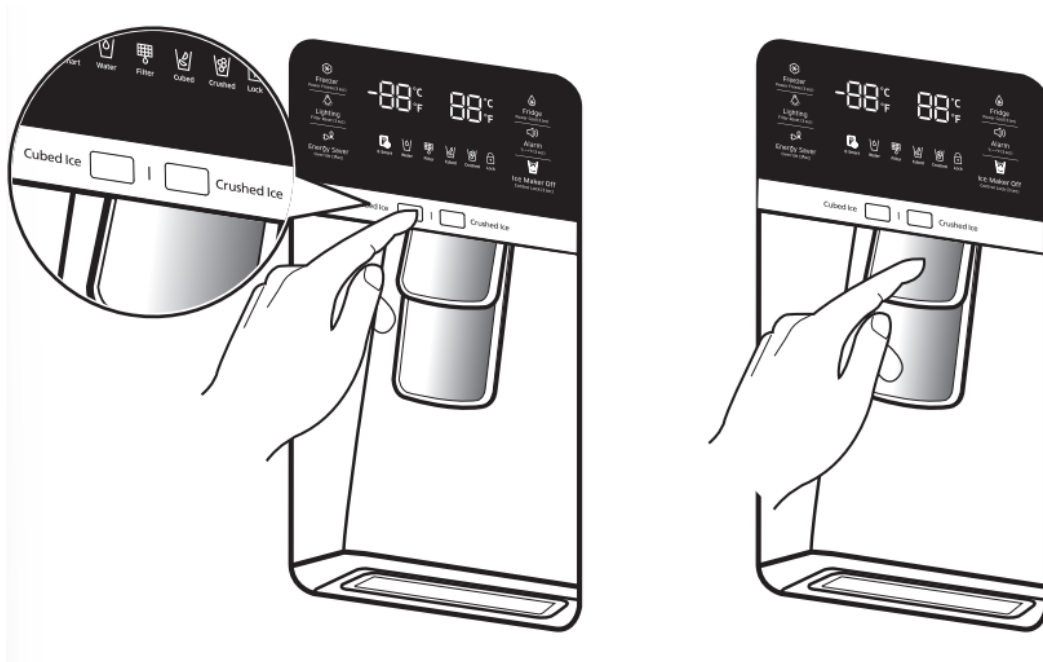
- In case ice doesn't come out, pull out the ice bucket and press the test button located on the right side of ice maker.
- Do not press the test button continuously when the tray is filled with ice or water. Water may overflow or ice may jam the bucket.
- When you press the Test button, you will hear the refrigerator chime (ding-dong). When the chime sounds, release the Test button.
- The chime sounds automatically again to let you know the ice maker is working well.

CAUTION

If a power failure occurs, ice cubes may melt then freeze together when the power comes back on, causing the dispenser to be out of order.

To prevent this problem, after a power failure, pull out the ice bucket and discard the residual ice or water.

After you dump the ice from the ice bucket, you should press the dispenser lever once with the 'ICE CUBED' or 'CRUSHED' function ON.



The ice maker will make new ice faster after you return the ice bucket to the refrigerator.

WARNING

- Do not put your fingers, hands, or any unsuitable objects in the chute or ice-maker bucket.
- This can cause personal injury or material damage.

- Use only the ice maker provided with the refrigerator.
- Have the refrigerator's water supply connected only to a potable water supply.
- The ice maker requires water pressure of 20 - 125 psi (138~862 kPa) to operate properly.

CAUTION

- If you are going on a long vacation or business trip and won't be using the water or ice dispensers for that period of time, close the water valve to prevent leaks.
- If you have not used the Ice maker for a while, or you have opened the Freezer door frequently, the Ice may stick together.

If this occurs, empty the ice bucket or break up the ice with a wood kitchen tool.

Do not use sharp items such as knives or forks.

- When you remove the ice bucket, there may still be some residual ice in the ice maker.

The ice maker may eject this ice into the freezer.

USING THE ICE MAKER

- To Remove the Ice Bucket.
 - Hold the handle as shown in figure1.
 - Lift up and pull the Bucket out slowly.
 - Take out Ice Bucket out slowly to prevent damage.
 - When you reinstall the ice bucket, press and hold the ICE button for 6 seconds.

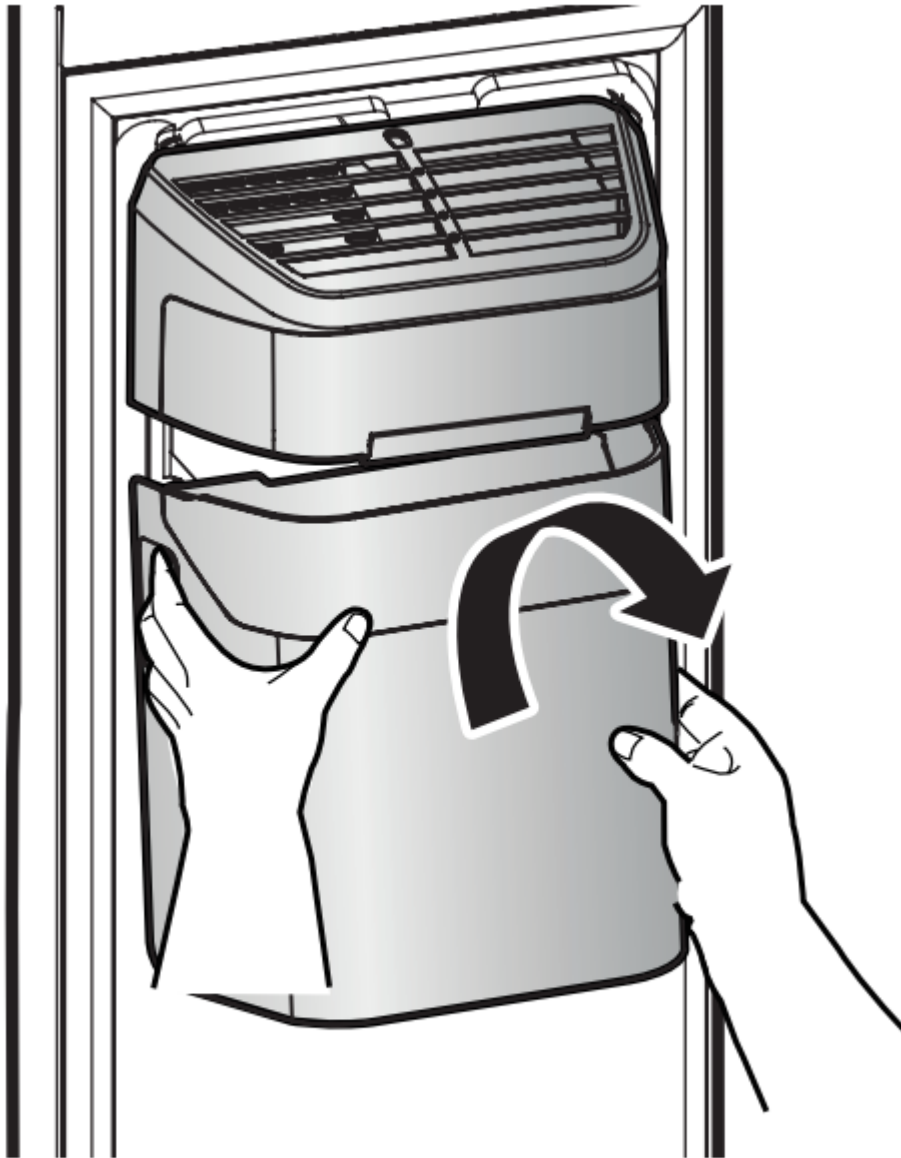


Figure 1

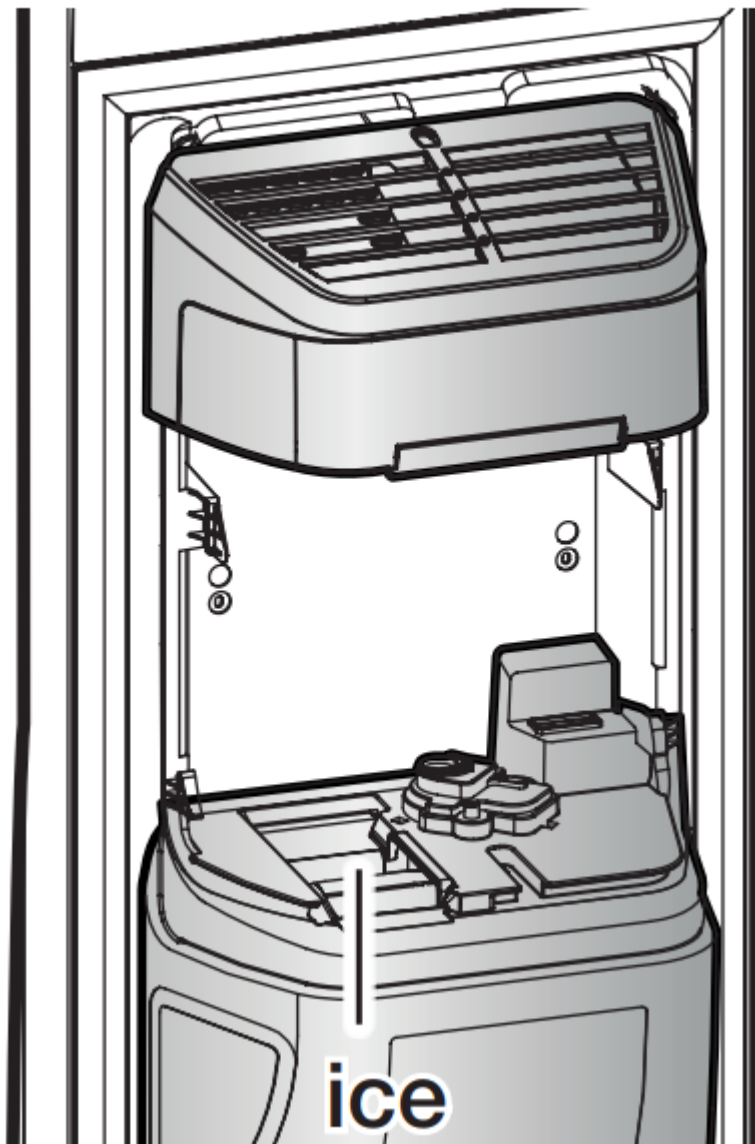
- Normal Operation

- Any sounds you hear when the ice maker dumps ice into the bucket are part of normal operation.
- Ice may clump in the bucket if you do not dispense ice for long periods of time.

If this occurs, remove all the ice and empty the bucket.

- If ice does not come out, check for any ice stuck in the chute and remove it.
- The first batch of ice cubes after installation may be small because air has entered the water line.

Any air will be purged during normal use.



CAUTION

- When Ice Maker Off blinks on the display panel, reinsert the ice bucket and/or make sure it's installed properly.
- When the door is open, the Ice and water dispenser do not work.
- If you close the door hard, it may cause water to spill over the ice maker.
- To prevent the ice bucket from dropping, use both hands when removing it.
- To prevent injury, be sure to clean up any ice or water that may have dropped on the floor.
- Do not let the children hang on the ice dispenser or on the bucket.

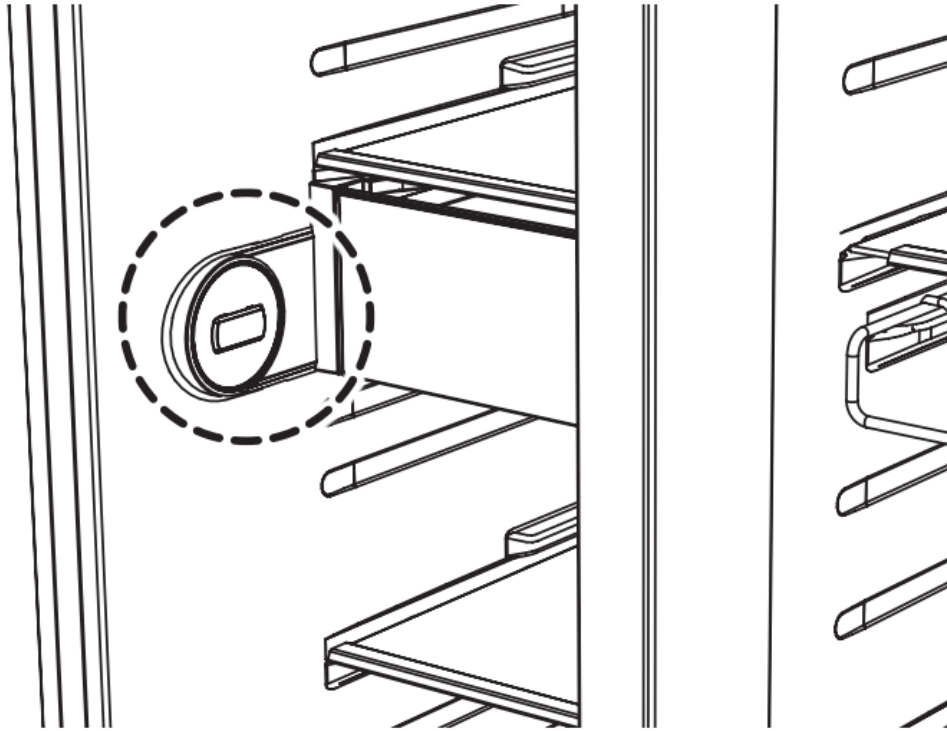
They may get hurt.

- Be sure not to put your hand or any object into the ice chute.

It may cause personal injury or damage mechanical parts.

- Use care when storing food in plastic bags in the freezer.

Incorrectly stored bags can get caught in the ice bucket's Auger Motor and prevent the refrigerator from dispensing ice or cause the freezer door to open unexpectedly.



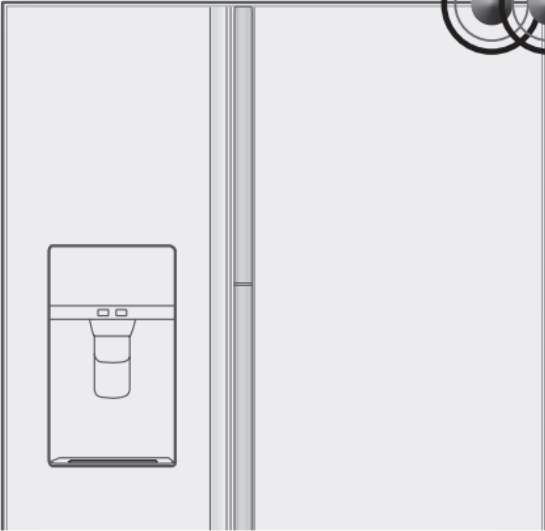
SMART ECO FEATURES

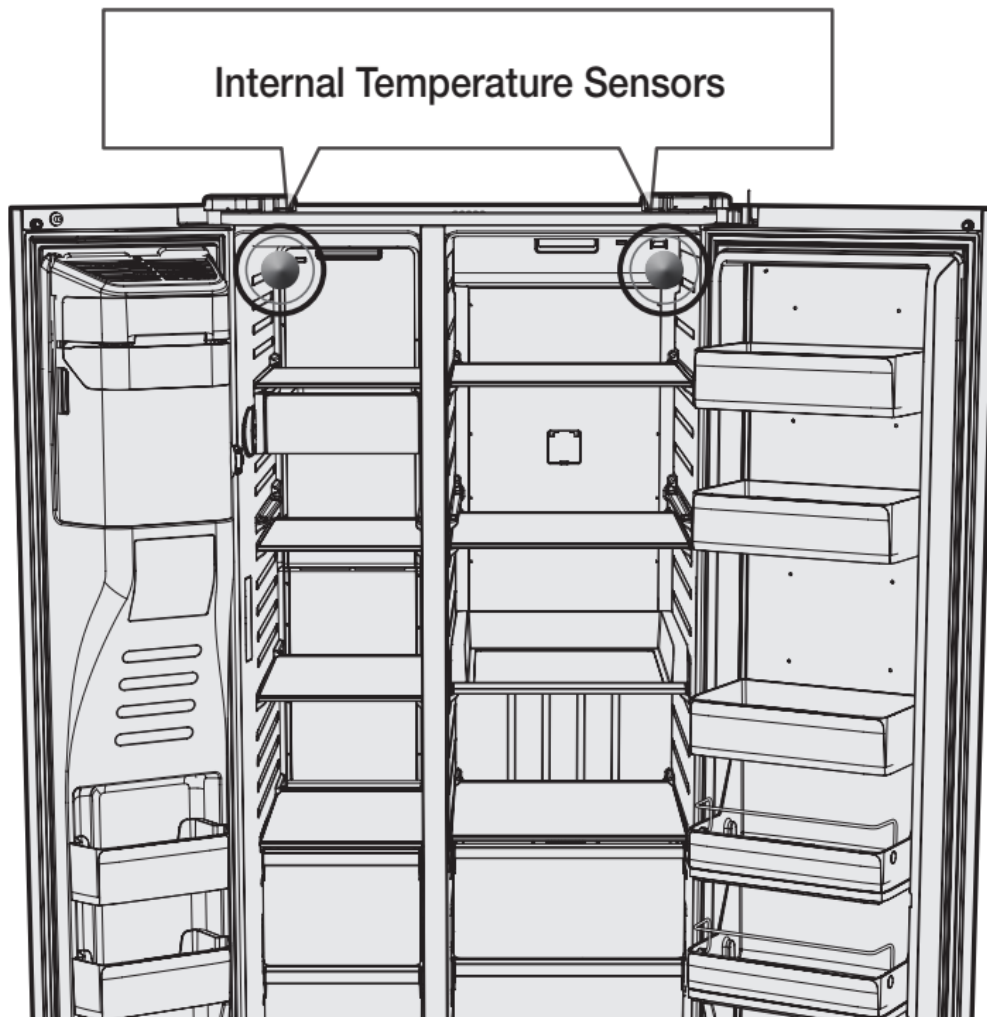
Smart Eco System

Keeps food at its freshest by using four sensors to monitor the external environment, usage patterns, and the refrigerator's operating status while conserving energy and saving on electricity costs.

Outside Temperature
Sensor

Outside Humidity
Sensor



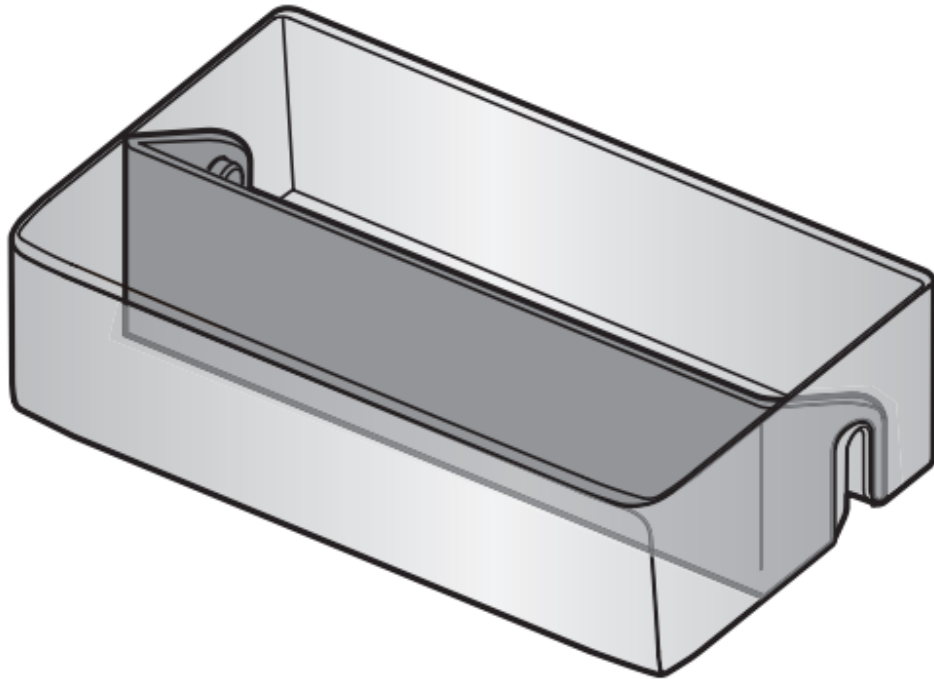


FRIDGE MULTI-PURPOSE DOOR BIN

A detachable divider makes it easy to store food in convenient, temporary compartments.

Food products can be stored by type or size.

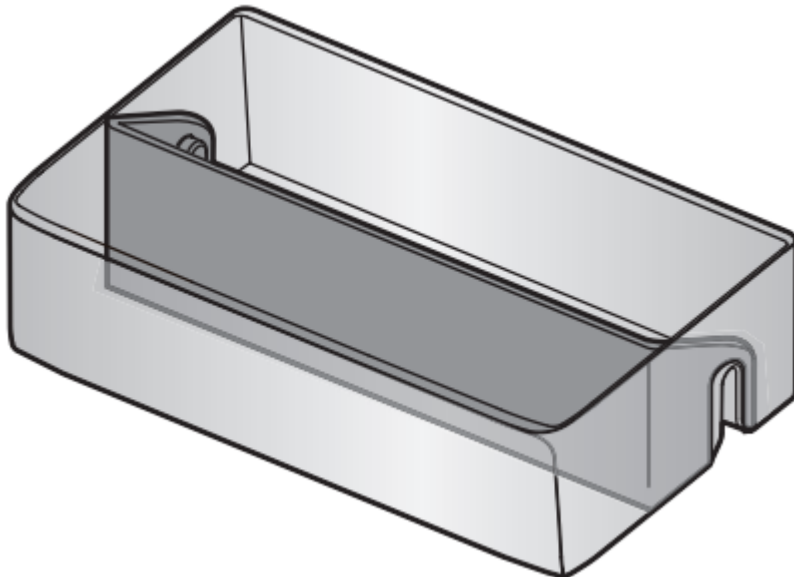
- Put the divider in place when storing slim-size condiment bottles and canned drinks together.



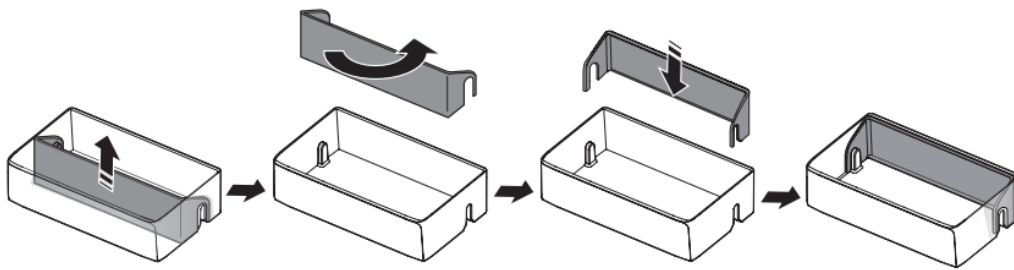
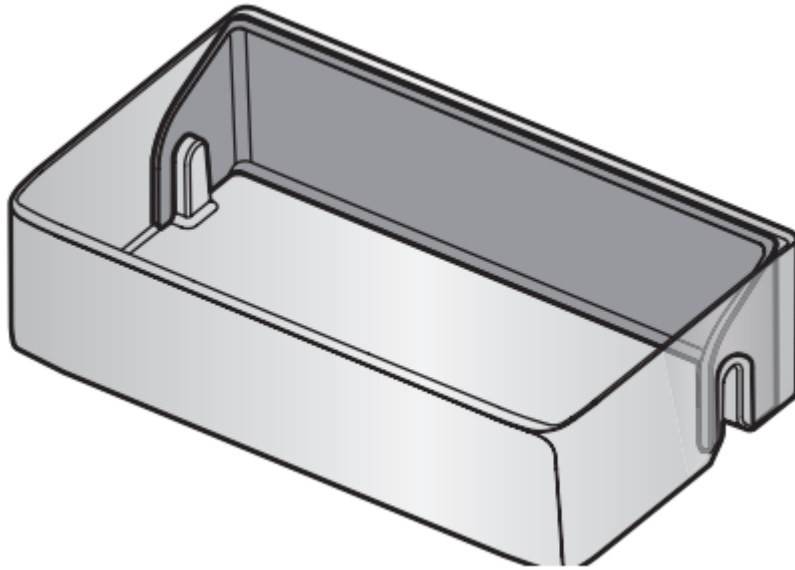
- Take out the divider when storing carton-size milks or drinks.

How to Use the DIVIDER

1. Insert the divider as shown in the diagram to compartmentalize the case.

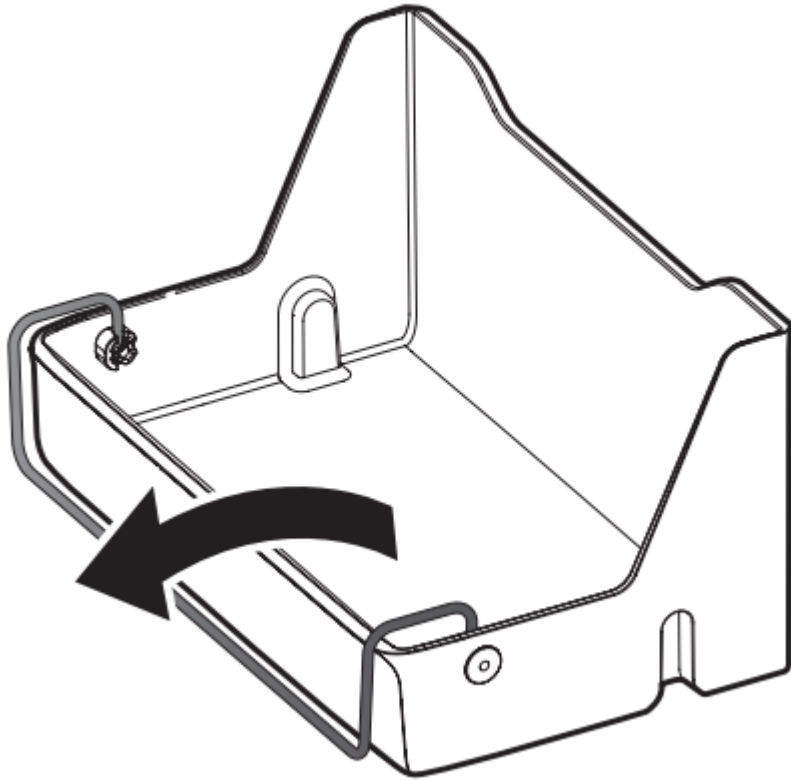


2. When not in use, simply flip it around and move it out of the way as shown in the diagram.

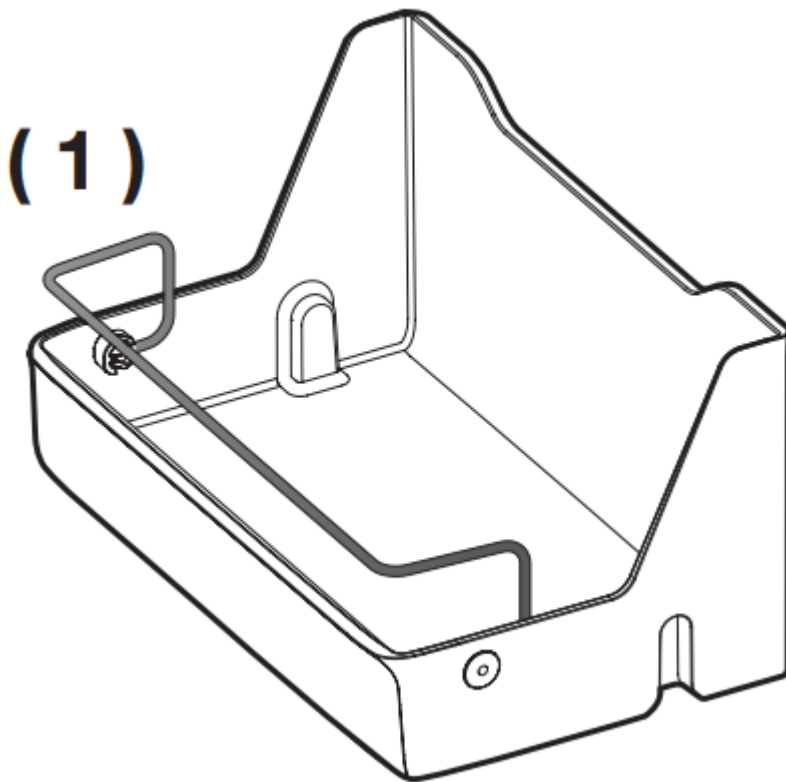


How to Use the MULTI SUPPORTER

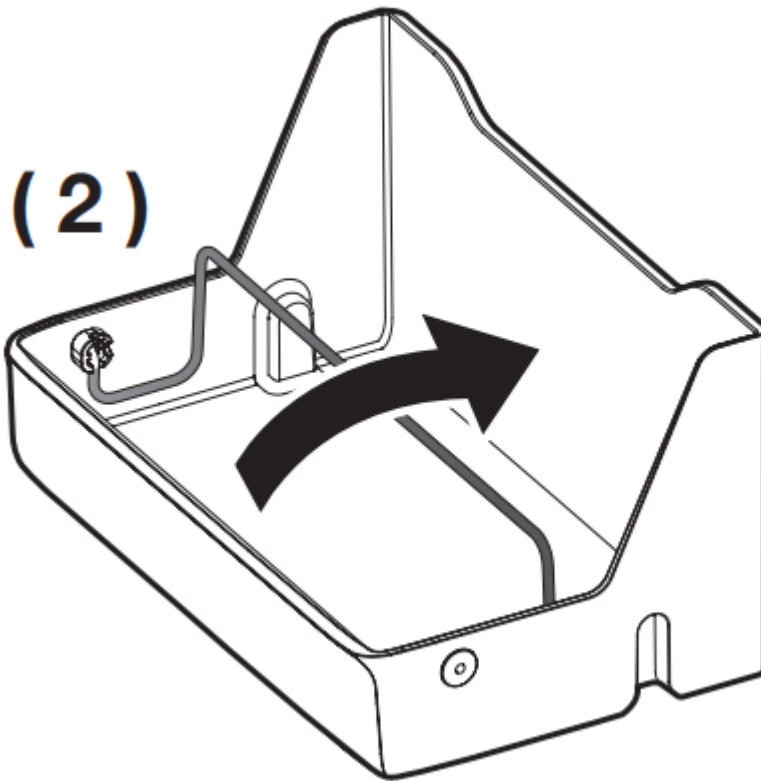
1. When not in use, leave the Multi Supporter flipped over as shown in the diagram.



2. Flip the Multi Supporter to position (1) to prevent items from falling out and over.



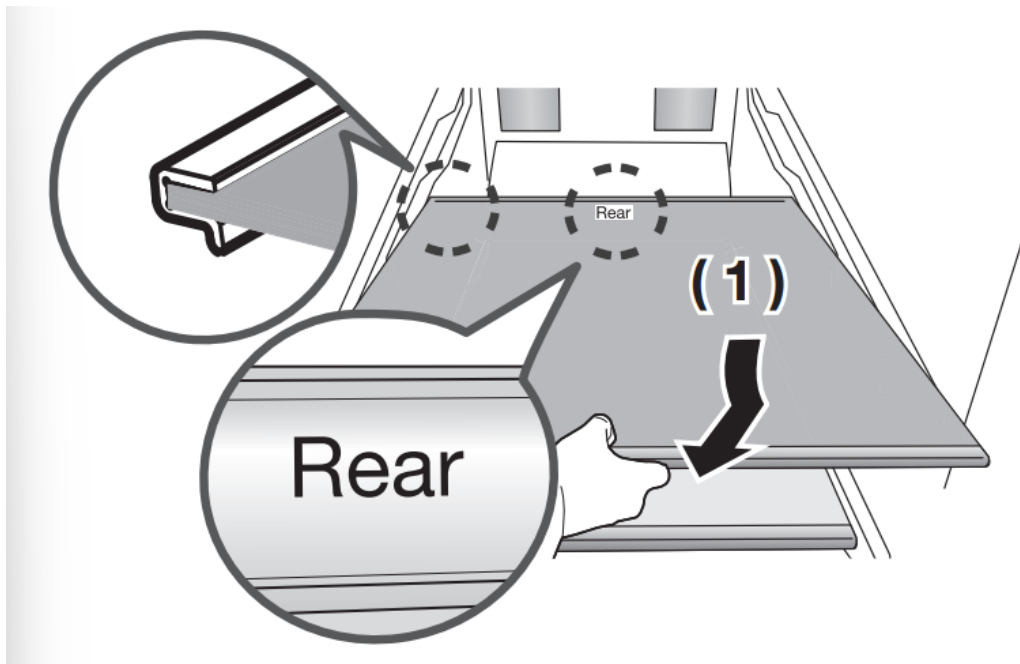
3. Flip the Multi Supporter to position (2) to use it as a divider.



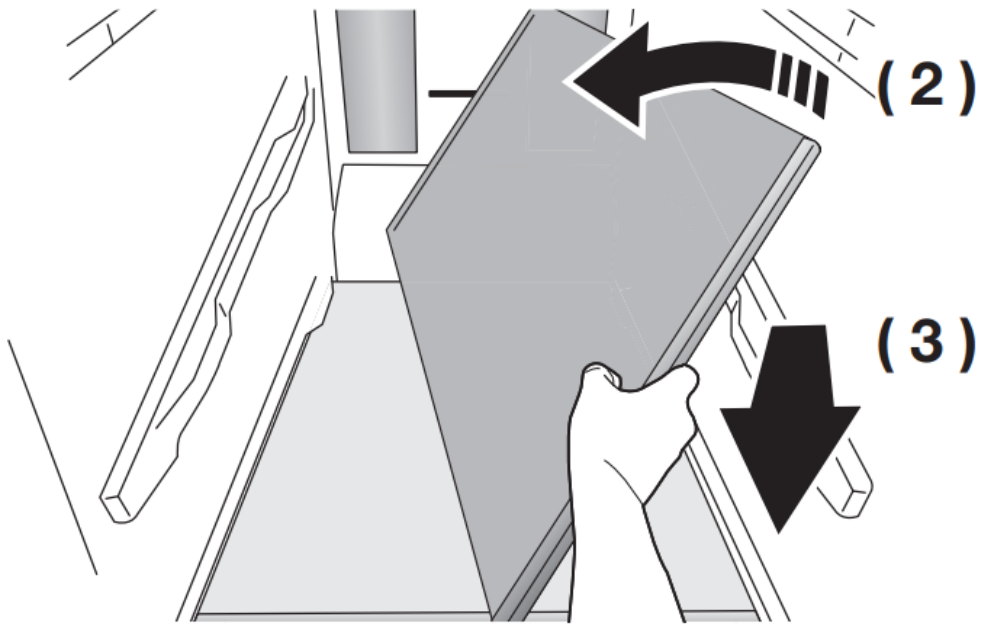
REMOVING THE REFRIGERATOR ACCESSORIES

1. Shelves (Freezer/Fridge)

- Open the door completely and then lift up the shelf as you pull it out to remove it.



- If you are unable to open the door completely, pull out the shelf, lift it up, and turn it to remove it.



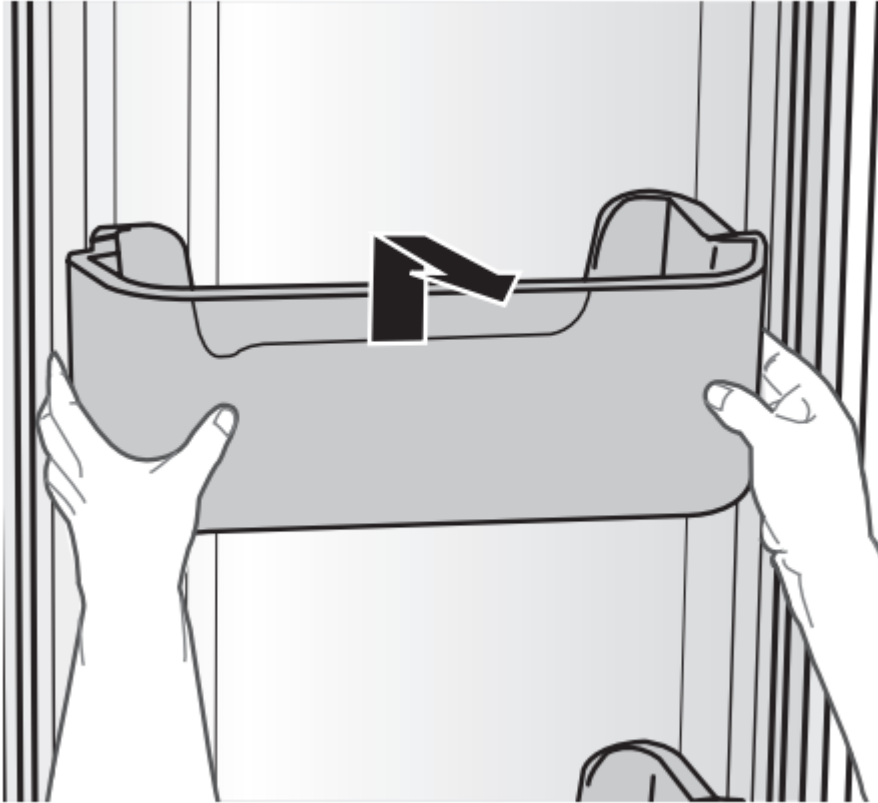
CAUTION

Be careful not to insert the shelf upside down. Glass containers can scratch the surface of the glass shelves.

2. Door Bins

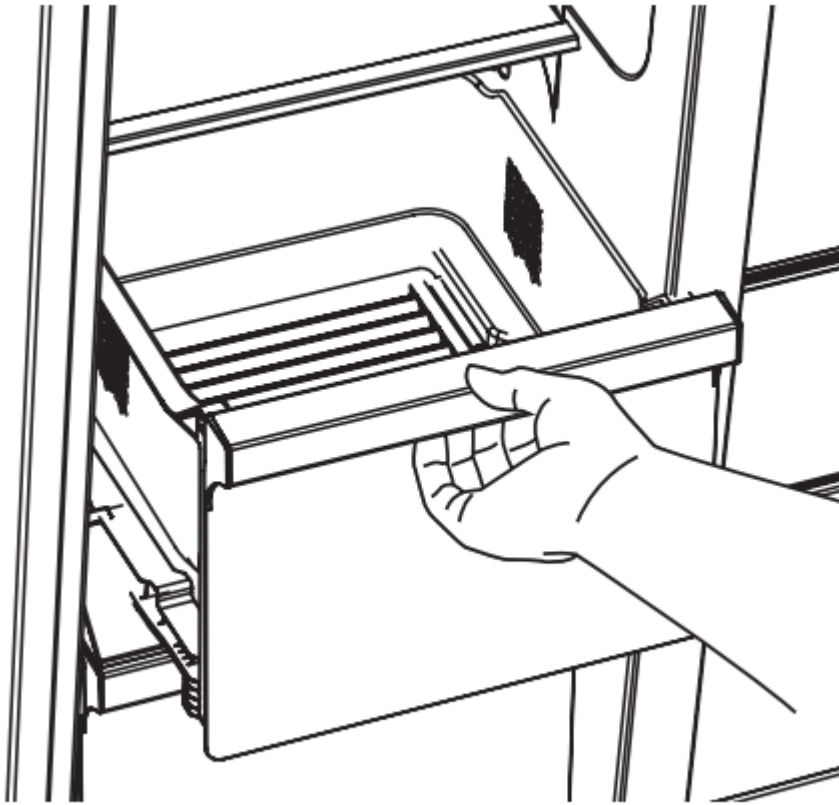
- To remove a Door Bin, hold the bin with both hands, and then gently lift it up.





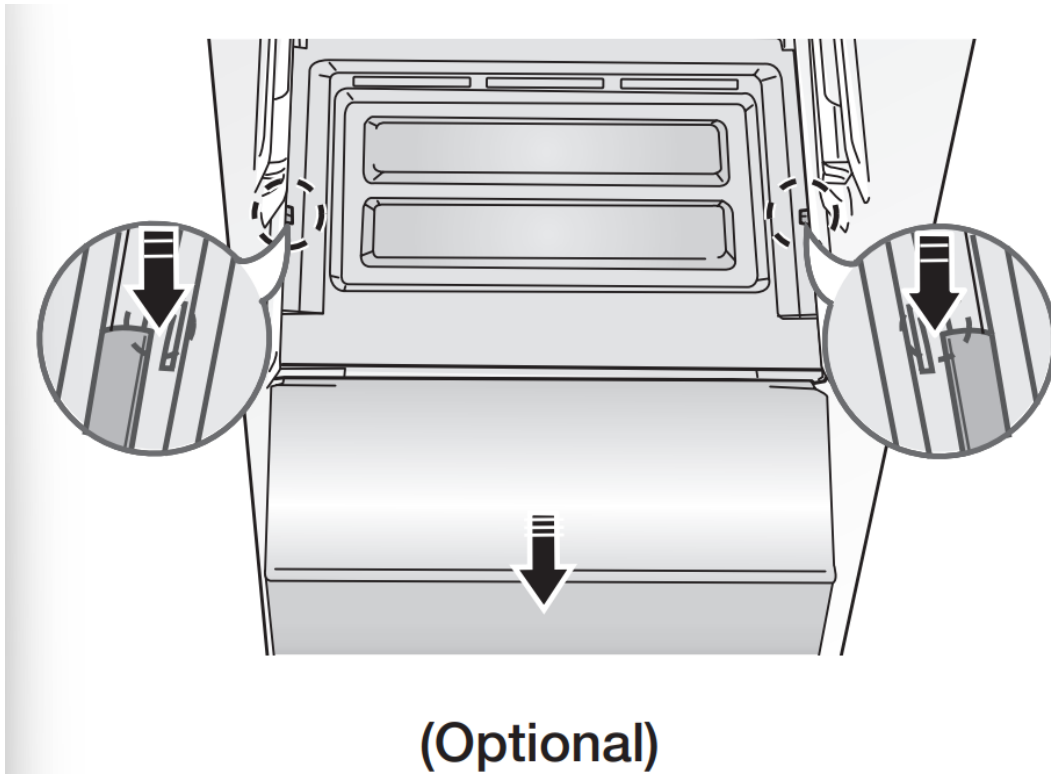
3. Drawers

- To remove a Drawer, pull the drawer out, and then lift it up slightly.



4. Vegetable Bin/Dry Bin Cover

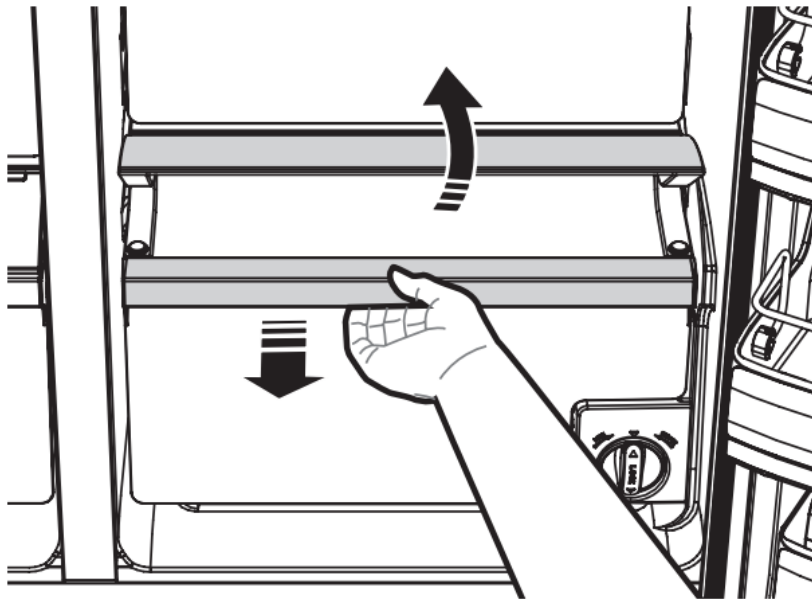
- Take out the bin above the Vegetable Bin (refrigerator)/Dry Bin (freezer).
- Press down on the clips on either side of the Vegetable Bin (refrigerator)/Dry Bin (freezer) and pull it out towards you.



5. Vegetable Bin/Dry Bin

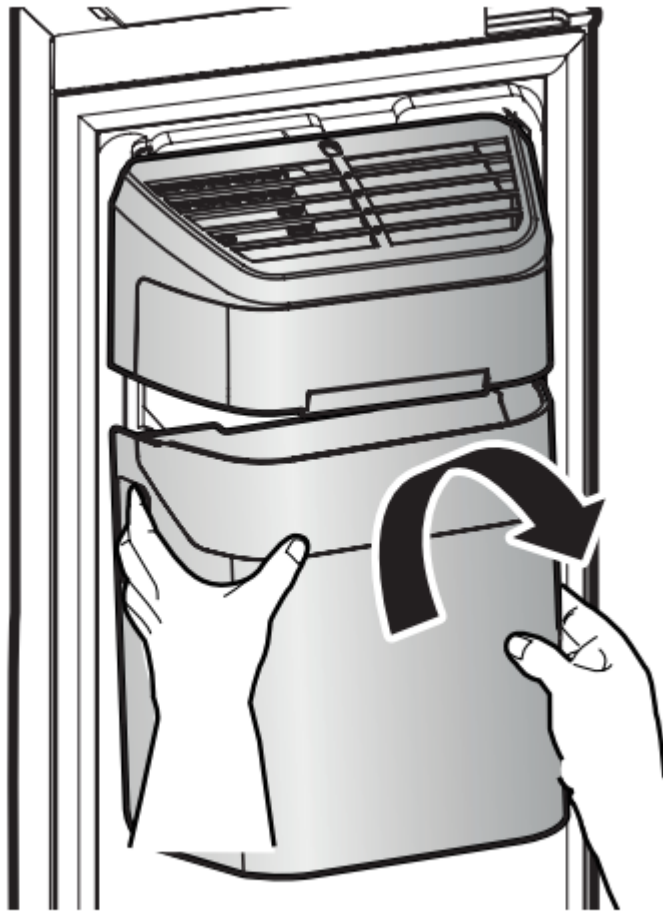
Before taking out the Vegetable Bin/Dry Bin, you need to remove the multipurpose compartments from the door.

Lift the bin up slightly as you pull it out.



6. Ice Bucket (Freezer)

- Remove the Icemaker Bucket by lifting it up and pulling it out slowly.
- Grip the handle as shown in the figure.
- Remove the Ice Bucket slowly to prevent damage.



Do not use excessive force when removing the drawer cover.

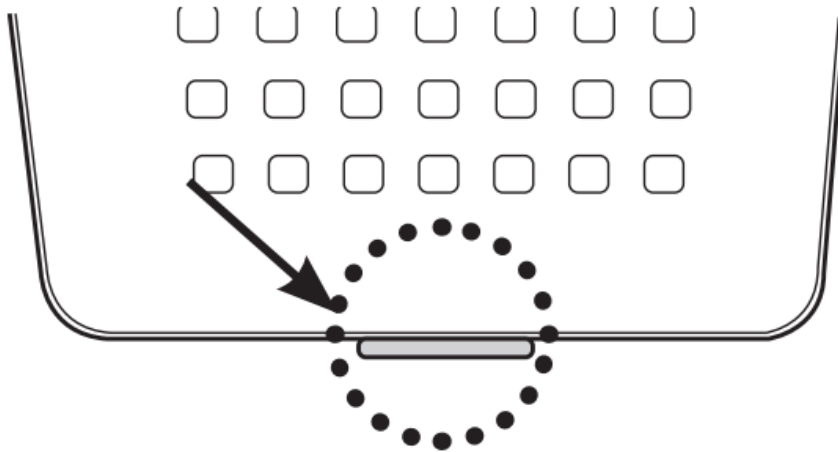
You can break the cover and cause injury.

Before removing any accessories, make sure that no food is in the way.

When possible, remove the food altogether to reduce the risk of accidents.

7. Removing the Deodorizer

- Pull out the shelf slightly and then pull out the unit while pushing the deodorizer cover clip up using a flathead screwdriver.



8. Cleaning the Deodorizer

- The Deodorizer helps remove odors from the refrigerator.

The deodorizing function may diminish over time.

However, you can prolong its lifespan, if you wash and dry the Deodorizer as below.

- Wash the Deodorizer with clean water once every two years or whenever you feel its performance has diminished.
- Dry the deodorizer under the sun for 24 hours and then replace it in the reverse order of its removal.

CLEANING THE REFRIGERATOR

WARNING

Do not use benzene, thinner, Clorox, or car detergent to clean the refrigerator.

They can damage the surface of the appliance and may cause a fire.

Do not spray the refrigerator with water while it is plugged in.

This can cause an electric shock.

To clean the refrigerator, follow these steps:

To Clean the Refrigerator

1. Unplug the power cord of the refrigerator.
2. Slightly dampen a soft, lint-free-free cloth or paper towel with water.

Do not use any kind of detergent to clean the refrigerator.

Detergent can discolor or damage the refrigerator.

3. Wipe the inside and outside of the refrigerator until it is clean and dry.

4. Plug the power cord of the refrigerator back in.

CHANGING THE INTERIOR LIGHTS

Freezer / Fridge LED Lamp

- If the LED Lamp Cover is stained with foreign substances, the LED lamp may not look bright. Wipe the surface cover with a clean, dry cloth to return the light to full brightness.

CAUTION

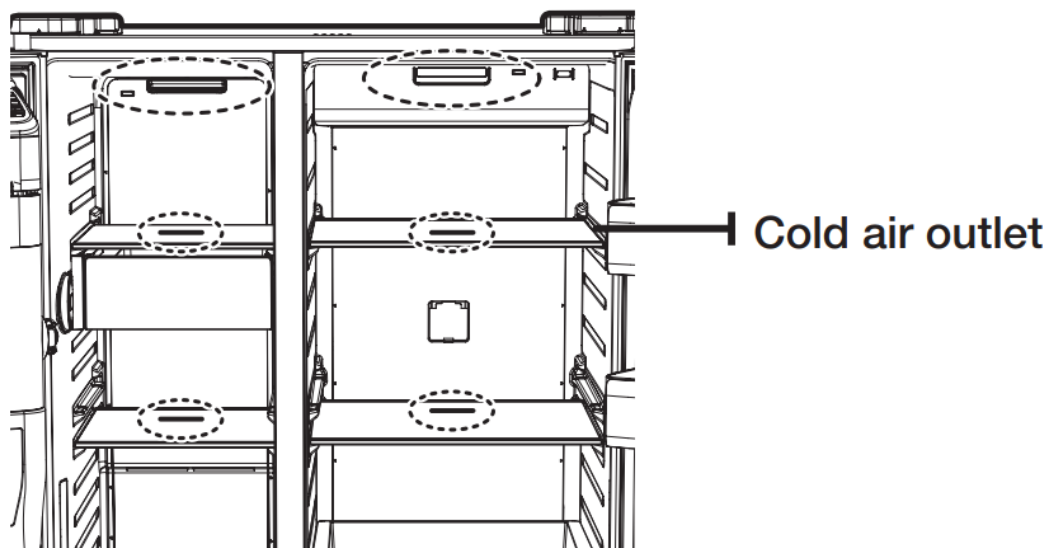
Do not disassemble or replace the LED type lighting yourself.

To replace the LED lights, contact a Samsung service center or your authorized Samsung dealer.

If you attempt to replace the LED lamps yourself, you risk subjecting yourself to an electric shock or serious personal injury.

TO IMPROVE THE COOLING PERFORMANCE

Do not block the cold air outlets with food. If the cold air outlets are blocked, cold air cannot penetrate the entire compartment and will be unable to freeze the food efficiently, resulting in a degraded cooling performance.



CHANGING THE WATER FILTER

WARNING

To reduce risk of water damage to your property DO NOT use generic brands of water filters in your SAMSUNG Refrigerator.

USE ONLY SAMSUNG BRAND WATER FILTERS. SAMSUNG is not legally responsible for any damage, including, but not limited to property damage caused by water leakage from the use of a generic water filter.

SAMSUNG Refrigerators are designed to work ONLY WITH SAMSUNG Water Filters.

How to Change the Water Filter

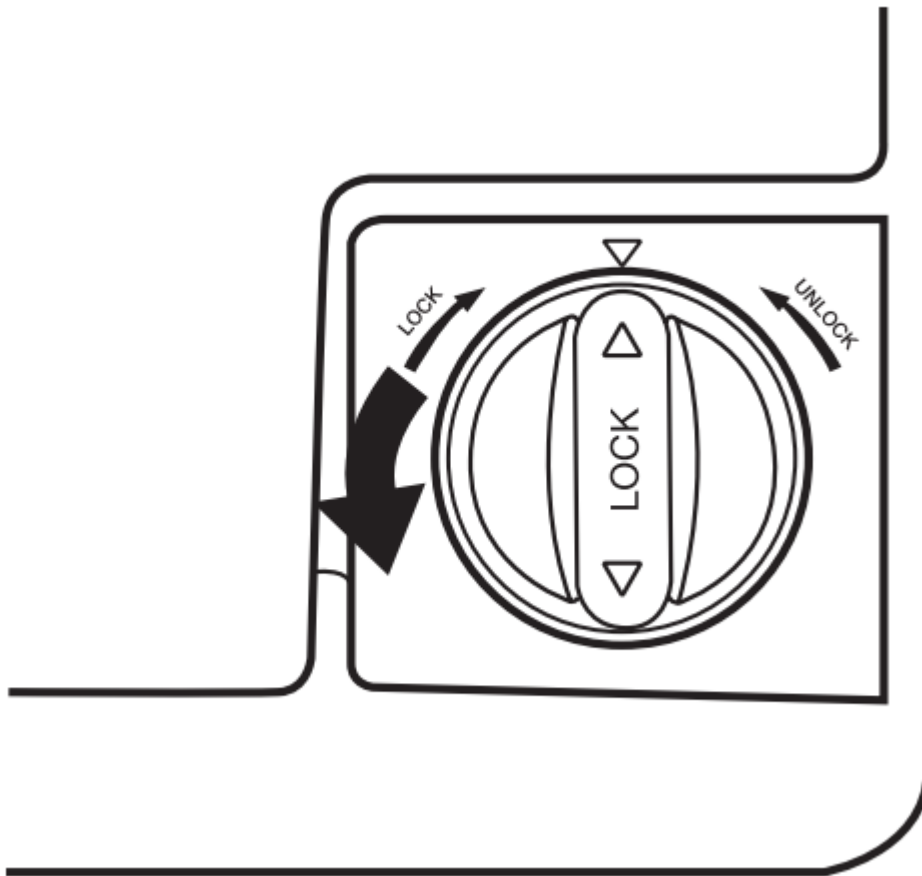
The “Filter Indicator” light lets you know when it is time to change your water filter cartridge.

To give you preparation time to get a new filter, the red light will come on just before the capacity of the current filter runs out.

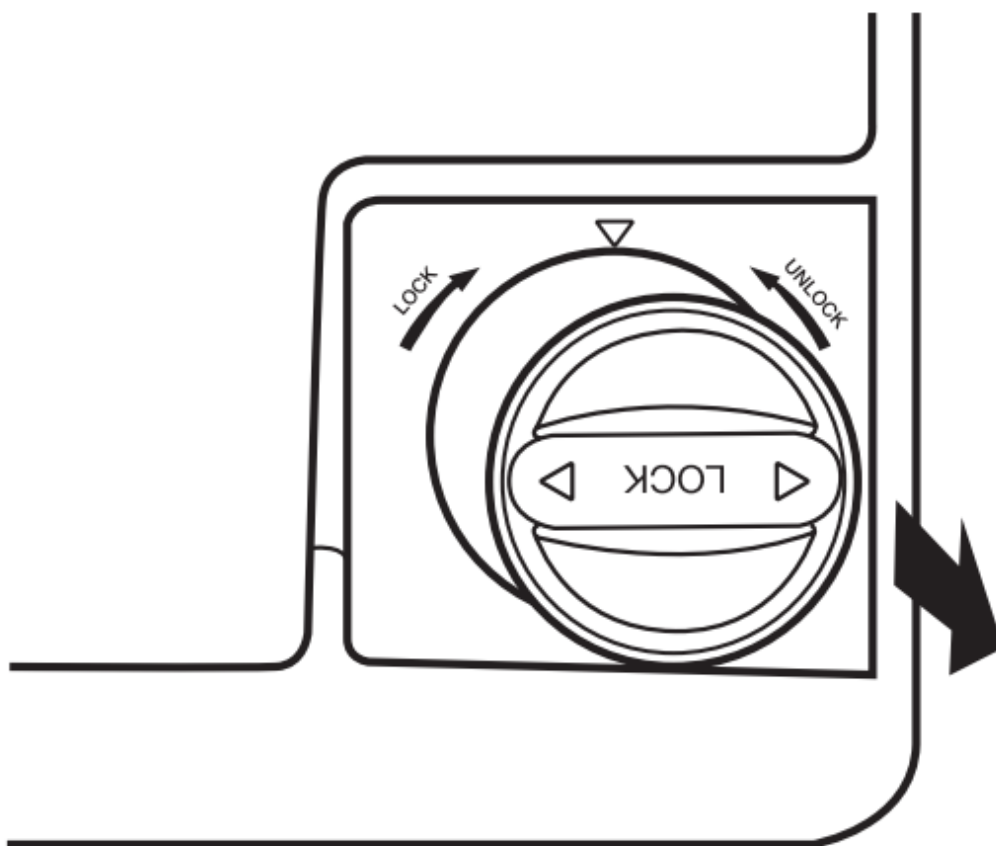
Changing the filter on time provides you with the freshest, cleanest water from your fridge.

To change the water filter, follow these steps:

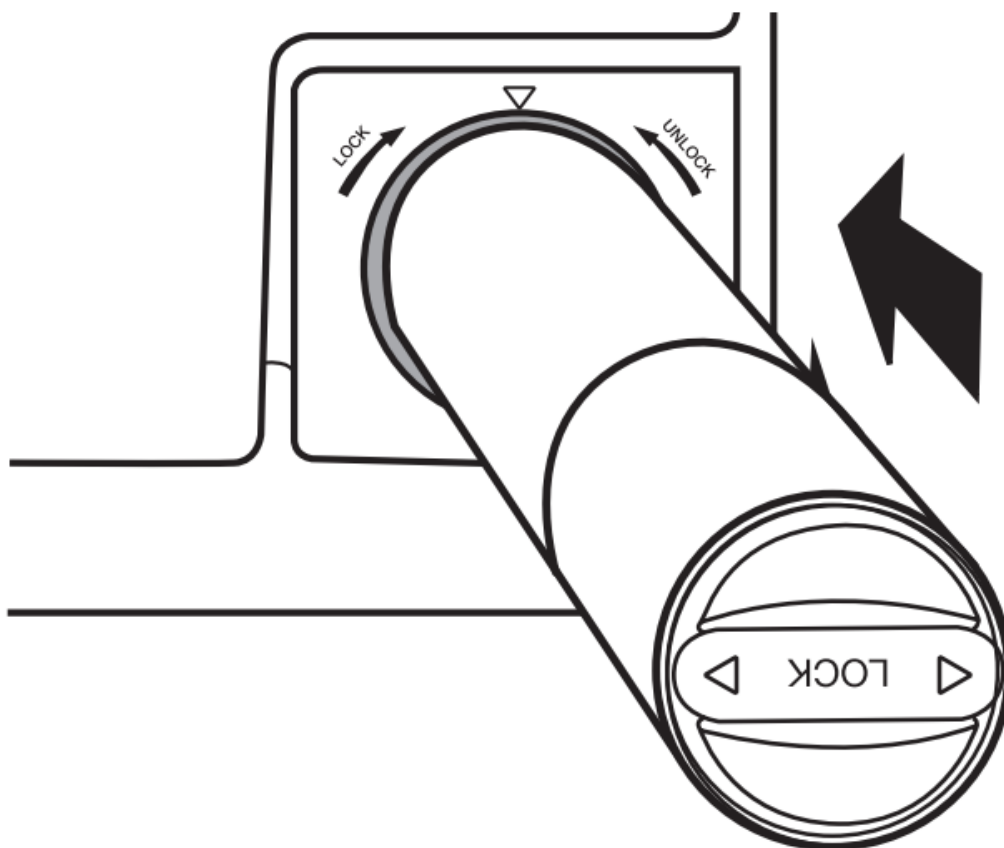
1. Turn the water filter 90° counterclockwise.



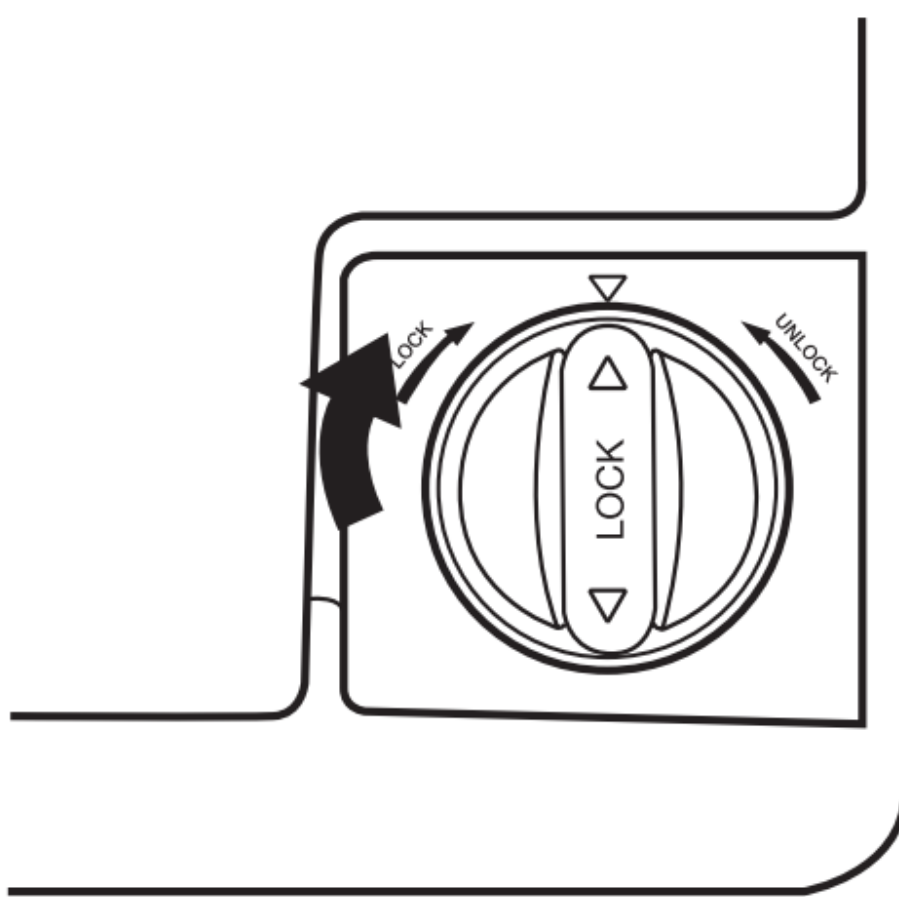
2. Pull the water filter from the filter housing.



3. Insert the new water filter inside the filter housing.



4. Turn the new water filter 90° clockwise.



5. Press the “Lighting/hold 3 sec” button (



) about 3 seconds to reset the water filter.

The color of indicator changes from red to light off.

A newly installed water filter cartridge may cause water to briefly spurt from the water dispenser.

This is due to air getting into the line.

It should pose no problem to operation.

CAUTION

When you replace the water filter, water can drip from the bottom front of the refrigerator.



Make sure to clean up any drips or spills after you have changed the filter.

Removing residual matter inside the water supply line after installing a new filter

1. Press the Water button, and then push the Dispenser Lever with a cup or glass.
2. Flush 1 gallon of water through the filter, one cup or glass at a time. (Flush approximately 6 minutes.)

This will clean the water supply system and remove air from the lines.

- Additional flushing may be required in some households.

3. Open the refrigerator door and make sure there are no water leaks coming from the water filter.

Reverse Osmosis Water Supply IMPORTANT :

The pressure of the water supply coming out of a reverse osmosis system going to the water inlet valve of the refrigerator needs to be between 35 and 120 psi (241 and 827 kPa).

If a reverse osmosis water filtration system is connected to your cold water supply, the water pressure to the reverse osmosis system needs to be a minimum of 40 to 60 psi (276 to 414 kPa.)

If the water pressure to the reverse osmosis system is less than 40 to 60 psi (276 to 414 kPa):

- Check to see whether the sediment filter in the reverse osmosis system is blocked.

Replace the filter if necessary.

- Allow the storage tank on the reverse osmosis system to refill after heavy usage.
- If your refrigerator has a water filter, it may further reduce the water pressure when used in conjunction with a reverse osmosis system. Remove the water filter.

If you have questions about your water pressure, call a licensed, qualified plumber.

Ordering replacement filters

To order more water filter cartridges, contact your authorized Samsung dealer.

Troubleshooting



PROBLEM	SOLUTION
<p>The refrigerator does not work at all or it does not chill sufficiently.</p>	<ul style="list-style-type: none"> • Check that the power plug is properly connected. • Is the temperature control on the display panel set to the correct temperature? Try setting it to a lower temperature. • Is the refrigerator in direct sunlight or located too near a heat source? If so, it may not be able to cool sufficiently. Install it in a location that is out of direct sunlight and not near a heat source. • Is the back of the refrigerator too close to the wall, preventing proper ventilation? If so, it may not be able to cool sufficiently. Keep it an appropriate distance from the wall. • Is there too much food inside so that the food is blocking the outlet vent? To keep the refrigerator at a suitable temperature, do not fill the refrigerator with too much food.
<p>The food in the fridge is frozen.</p>	<ul style="list-style-type: none"> • Is the temperature control on the display panel set to the correct temperature? Try setting it to a warmer temperature. • Is the temperature in the room very low? • Did you store the food with a high water content in the coldest part of the fridge? Try moving those items into the body of the fridge instead of keeping them in the CoolSelect Zone™ drawer.
<p>You hear unusual noises or sounds.</p>	<ul style="list-style-type: none"> • Check that the refrigerator is level and stable. • Is the back of the refrigerator too close to the wall and therefore keeping air from circulating? • Was anything dropped behind or under the refrigerator? • A “ticking” sound is heard from inside the refrigerator. This is normal and occurs because various accessories are contracting or expanding in relation to the temperature of the refrigerator interior.



<p>The front corners of the appliance are hot and condensation is occurring.</p>	<ul style="list-style-type: none"> • Some heat is normal as anti-condensators are installed in the front corners of the refrigerator to prevent condensation. • Is the refrigerator door ajar? Condensation can occur when you leave the door open for a long time. • Water condensation in the drawer may occur when storing vegetables and it will be removed naturally as time passes.
<p>Ice is not dispensing.</p>	<ul style="list-style-type: none"> • Did you wait for 12 hours after installation of the water supply line before making ice? It may take longer to make ice if it is not sufficiently cool, such as when first installed. • Is the water line connected and the shut-off valve open? • Did you manually stop the ice making function? Make sure Ice is set to Cubed or Crushed. • Is there any ice blocked within the ice maker bucket? • Is the freezer temperature too warm? Try setting the freezer temperature lower.
<p>You can hear water bubbling in the refrigerator.</p>	<ul style="list-style-type: none"> • This is normal. The bubbling comes from the refrigerant coolant liquid circulating through the refrigerator.
<p>There is a bad smell in the refrigerator.</p>	<ul style="list-style-type: none"> • Has a food item spoiled? • Make sure that strong smelling food (for example, fish) is wrapped so that it is airtight. • Clean out your freezer periodically and throw away any spoiled food. <p>When cleaning the inside of the fridge, store food elsewhere and unplug the appliance. Wipe with a dry dishcloth after 2-3 hours and then circulate air inside the refrigerator.</p>



<p>Frost forms on the walls of the freezer.</p>	<ul style="list-style-type: none"> • Is the air vent blocked? Remove any obstructions so air can circulate freely. • Allow sufficient space between the foods stored for efficient air circulation. • Is the freezer drawer closed properly? <p>If the freezer drawer is not completely closed or is blocked, humidity from outside may enter and cause severe frost to form.</p>
<p>Water dispenser is not functioning.</p>	<ul style="list-style-type: none"> • Is the water line connected and the shut-off valve open? • Has the water supply line tubing been crushed or kinked? <p>Make sure the tubing is free and clear of any obstruction.</p> <ul style="list-style-type: none"> • Is the water tank frozen because the refrigerator temperature is too low? <p>Try selecting a warmer setting on the main display panel.</p> <ul style="list-style-type: none"> • Check if the Alter is properly installed. If it is not properly installed, the water dispenser may not work.
<p>What Do I Need to Use the E-Smart and Smart Grid functions?</p>	<ul style="list-style-type: none"> • To use the Smart Grid (Demand Response) and E-Smart function on your Refrigerator, you need the following devices and apps: <ul style="list-style-type: none"> - Devices: 1) Wireless Router, 2) Samsung E-Smart Refrigerator, 3) Smartphone (Recommended: Galaxy S4, Galaxy Note3 or later models and Android OS Jelly Bean or later version) - Applications: 1) “Samsung E-Smart App” from the Google Play Store or Samsung Apps. <p>You also need to:</p> <ul style="list-style-type: none"> • Connect the Refrigerator and the Smartphone to the same Wi-Fi network in your home. • Install and run Samsung E-Smart App on your Smartphone. • In addition, to use the Smart Grid (Demand Response) function, you must Register for the service with your electric company. <p>The company must have an EMS (Energy Management System) that supports SEP (Smart Energy profile).</p>



<p>Why isn't the E-Smart function working normally?</p>	<ul style="list-style-type: none"> • Confirm that the router in your home and the Internet are working properly. - Connect a Smartphone to the router (AP, Access Point), and then confirm that you can browse the Internet on the phone. • Confirm that refrigerator is connected to the AP. - Check the E-Smart icon on the PANEL of the refrigerator. <p>If the refrigerator is connected, the icon will be on.</p> <ul style="list-style-type: none"> • Confirm that the refrigerator and Smart Phone are connected to the same router.
<p>Why isn't the Delay Defrost Capability working normally?</p>	<ul style="list-style-type: none"> • Confirm that the router in your home and the Internet are working properly. - Connect a Smartphone to the router (AP, Access Point), and then confirm that you can browse the Internet on the phone. • Confirm that the area where you live is properly entered into the Smart phone App. • Confirm that the Smart Grid function works correctly. <p>(Check the PANEL. L3 and L4 should not be displayed on the PANEL.)</p>
<p>What can be done when freezer door is not closed well.</p>	<ul style="list-style-type: none"> • Push lever dispenser and check water supply. • Push lever dispenser (Ice mode) and check operation of auger motor. • Remove objects on shelves that might obstruct drive auger. <p>Precautions : If you have not dispensed the water or ice for an extended time, the ice bucket may accumulate ice chunk that interferes with the drive auger, causing the inability to dispense.</p> <p>Remove the remaining ice of bucket and object that might obstruct drive Auger. Please operate dispenser (water & ice) and it will improve auto-closing of freezer door.</p>

Warning



This content is compiled from multiple sources and is provided for reference purposes only. It may not be complete or fully applicable to all situations. If you are unable to resolve your issue, please contact the product manufacturer or an authorized service provider for official support.

Document generated by [ManualsFile](#)

