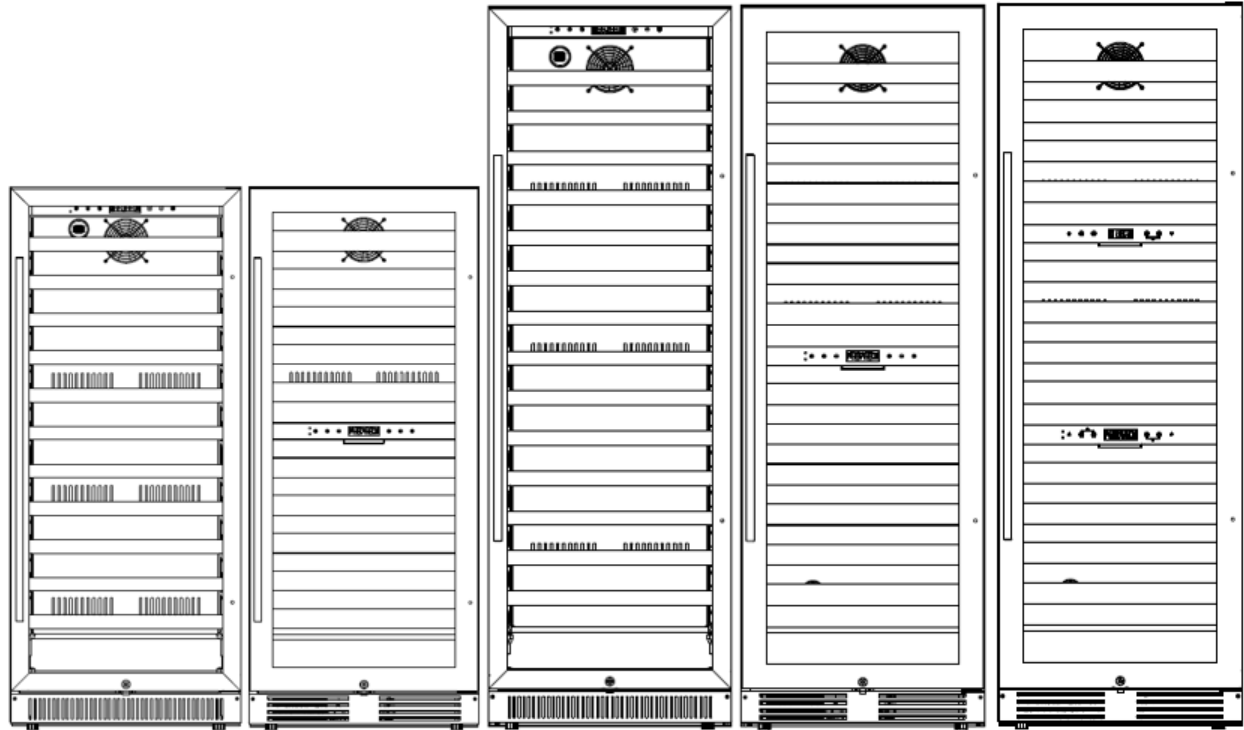




# WINE CELLAR



### Models:

SWC1127B  
LWC1Z96

SWCP2116  
LWC2Z97

SWC1926B  
LWC1Z193

SWC1966B  
LWC2Z194

SWCP2163  
LWC2Z195

SWCP1988T  
LWC3Z98

## *User Manual/Mode d'emploi*

**BEFORE USE, PLEASE READ AND FOLLOW ALL SAFETY RULES AND OPERATING INSTRUCTIONS IN THIS MANUAL.**

**AVANT L'UTILISATION, VEUILLEZ LIRE ET SUIVRE TOUTES LES RÈGLES DE SÉCURITÉ ET LES INSTRUCTIONS D'UTILISATION DE CE MANUEL.**

*Write Model and Serial Numbers here:*

Model: \_\_\_\_\_

Serial No.: \_\_\_\_\_

**Summit Division of Felix Storch, Inc.  
An ISO 9001:2015 registered company  
770 Garrison Avenue  
Bronx, NY 10474  
[www.summitappliance.com](http://www.summitappliance.com)**



# TABLE OF CONTENTS

<b><i>Appliance Safety</i></b>	<b>3</b>
<b><i>Important Safeguards</i></b>	<b>4-5</b>
<b><i>Location of Parts</i></b>	<b>6-9</b>
<b><i>Installation Instructions</i></b>	<b>10-17</b>
<i>Before Using your Appliance</i>	10
<i>Installing your Appliance</i>	10
<i>Installing the Door Handle</i>	11
<i>Reversing the Door Swing</i>	12
<i>Built-in Cabinet Instructions</i>	13-14
<i>Electrical Connection</i>	15
<i>Extension Cord</i>	15
<i>Rearranging the Shelves</i>	16
<i>Placement and Storage of Wine</i>	16-17
<b><i>Operating your Appliance</i></b>	<b>18-19</b>
<b><i>Care and Maintenance</i></b>	<b>20</b>
<b><i>Troubleshooting</i></b>	<b>21</b>
<b><i>Limited Warranty</i></b>	<b>22</b>
<b><i>French Translation of this Manual</i></b>	<b>23-44</b>

# APPLIANCE SAFETY

Your safety and the safety of others are very important.

We have provided many important safety messages in this manual and on your appliance. Always read and obey all safety messages.



This is the Safety Alert Symbol. This symbol alerts you to potential hazards that can kill or injure you and others. All safety messages will follow the Safety Alert Symbol and either the words "DANGER", "WARNING" or "CAUTION".



DANGER means that failure to heed this safety statement may result in severe personal injury or death.



WARNING means that failure to heed this safety statement may result in extensive product damage, serious personal injury, or death.



CAUTION means that failure to heed this safety statement may result in minor or moderate personal injury, or property or equipment damage.

All safety messages will alert you to what the potential hazard is, tell you how to reduce the chance of injury, and let you know what can happen if the instructions are not followed.

## **CALIFORNIA CARB/SNAP DISCLOSURE**

**This product uses eco-friendly hydrocarbon refrigerant and fully complies with California CARB regulations.**

However, we are required by California Law to provide the following disclosure statement in every product sold in California.

*"This equipment is prohibited from use in California with any refrigerants on the 'List of Prohibited Substances' for that specific end-use, in accordance with California Code of Regulations, title 17, section 95374. This disclosure statement has been reviewed and approved by Felix Storch, Inc. and Felix Storch, Inc. attests, under penalty of perjury, that these statements are true and accurate."*

This product does **not** use any refrigerants on the 'List of Prohibited Substances'"

# IMPORTANT SAFEGUARDS



Before the appliance is used, it must be properly positioned and installed as described in this manual, so read the manual carefully. To reduce the risk of fire, electrical shock or injury when using the appliance, follow basic precaution, including the following:



- Plug into a grounded 3-prong outlet, do not remove grounding prong, do not use an adapter, and do not use an extension cord.
- Replace all panels before operating.
- It is recommended that a separate circuit, serving only your appliance, be provided. Use receptacles that cannot be turned off by a switch or pull-chain.
- Never clean appliance parts with flammable fluids. These fumes can create a fire hazard or explosion. And do not store or use gasoline or other flammable vapors and liquids in the vicinity of this or any other appliance. The fumes can create a fire hazard or explosion.
- Before proceeding with cleaning and maintenance operations, make sure the power line of the unit is disconnected.
- Do not connect or disconnect the electric plug when your hands are wet.
- Unplug the appliance or disconnect power before cleaning or servicing. Failure to do so can result in electrical shock or death.
- Do not attempt to repair or replace any part of your appliance unless it is specifically recommended in this manual. All other servicing should be referred to a qualified technician.
- This appliance is CFC- and HFC-free and contains small quantities of Isobutane (R600a) which is environmentally friendly, but flammable. It does not damage the ozone layer, nor does it increase the greenhouse effect. Care must be taken during transportation and setting up of the appliance that no parts of the cooling system are damaged. Leaking coolant can ignite and may damage the eyes.
- In the event of any damage:
  - Avoid open flames and anything that creates a spark,
  - Disconnect from the electrical power line,
  - Air the room in which the appliance is located for several minutes, and
  - Contact the Service Department for advice.
- The more coolant there is in an appliance, the larger the room it should be installed in. In the event of a leakage, if the appliance is in a small room, there is the danger of combustible gases building up. For every ounce of coolant, at least 325 cubic feet of room space is required. The amount of coolant in the appliance is stated on the data plate on the back of the appliance. It is hazardous for anyone other than an authorized Service Person to carry out servicing or repairs to this appliance.
- Take serious care when handling, moving, and using the appliance to avoid either damaging the refrigerant tubing or increasing the risk of a leak.
- Replacing component parts and servicing shall be done by factory authorized service personnel so as to minimize the risk of possible ignition due to incorrect parts or improper service.

## **WARNING**

FOLLOW WARNING CALL OUTS BELOW ONLY WHEN APPLICABLE TO YOUR MODEL

- Use two or more people to move and install appliance. Failure to do so can result in back or other injury.
- To ensure proper ventilation for your appliance, the front of the unit must be completely unobstructed. Choose a well-ventilated area with temperatures above 60°F (16°C) and below 100°F (38°C). This unit must be installed in an area protected from the elements, such as wind, rain, water spray or drips.
- The appliance should not be located next to ovens, grills or other sources of high heat.
- The appliance must be installed with all electrical, water and drain connections in accordance with state and local codes. A standard electrical supply (115 V AC only, 60 Hz), properly grounded in accordance with the National Electrical Code and local codes and ordinances is required.
- Do not kink or pinch the power supply cord of appliance.
- The fuse (or circuit breaker) size should be 15 amperes.
- It is important for the appliance to be leveled in order to work properly. You may need to make several adjustments to level it.
- Never allow children to operate, play with or crawl inside the appliance.
- Do not use solvent-based cleaning agents or abrasives on the interior. These cleaners may damage or discolor the interior.
- Do not use this apparatus for other than its intended purpose.

## **DANGER**

***Risk of child entrapment!***

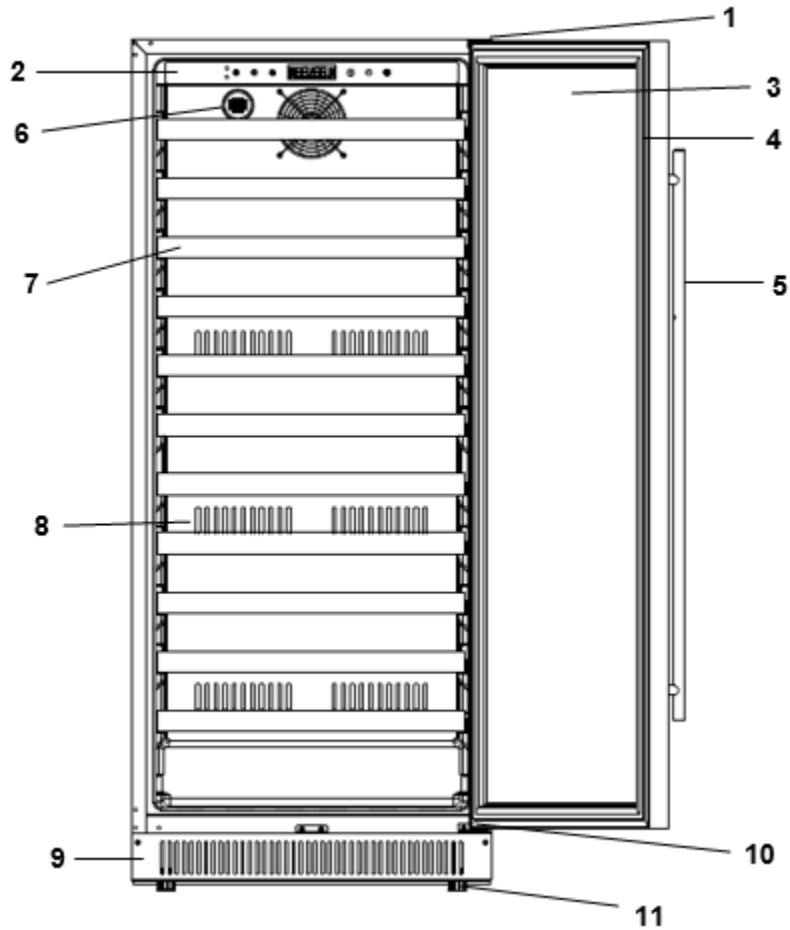
Child entrapment and suffocation are not problems of the past. Junked or abandoned appliances are still dangerous, even if they will “just sit in the garage a few days”.

- *Before discarding your old refrigerator:*
  - *Take off the doors*
  - *Leave the shelves in place so that children may not easily climb inside.*

**– SAVE THESE INSTRUCTIONS –**

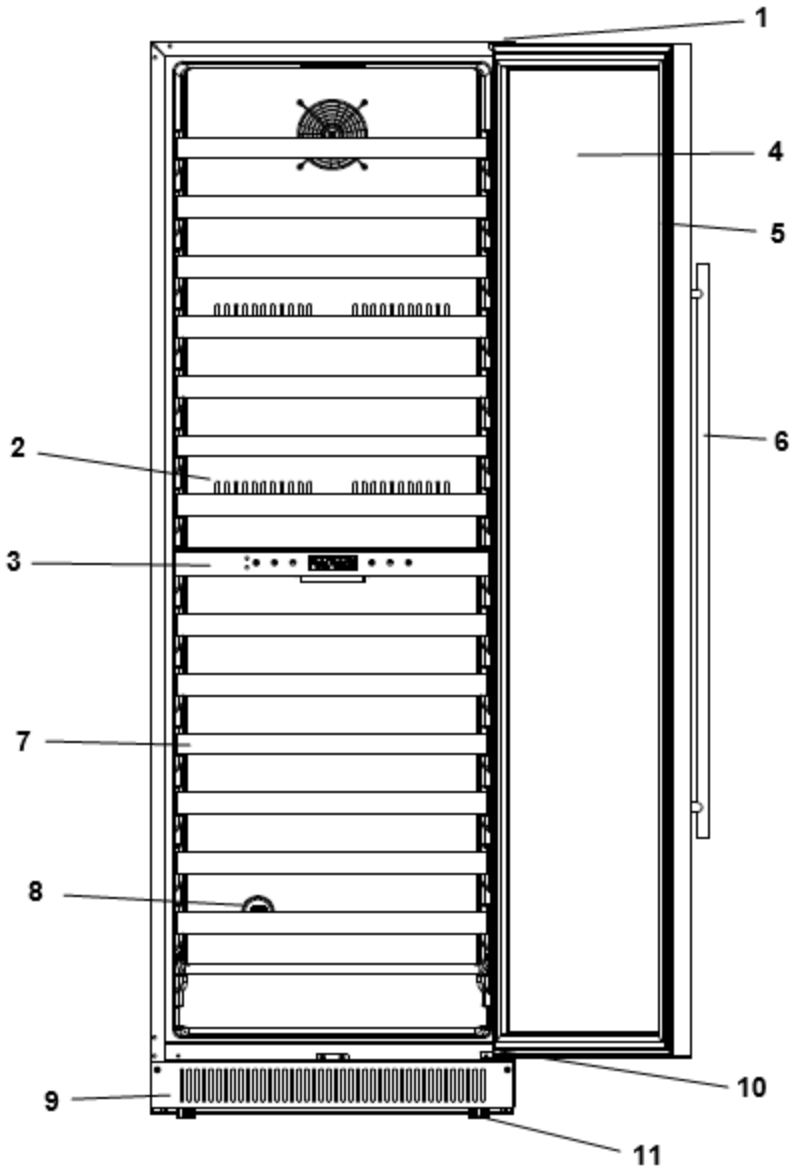
# LOCATION OF PARTS

SWC1127B/LWC1Z96  
SWC1926B/LWC1Z193



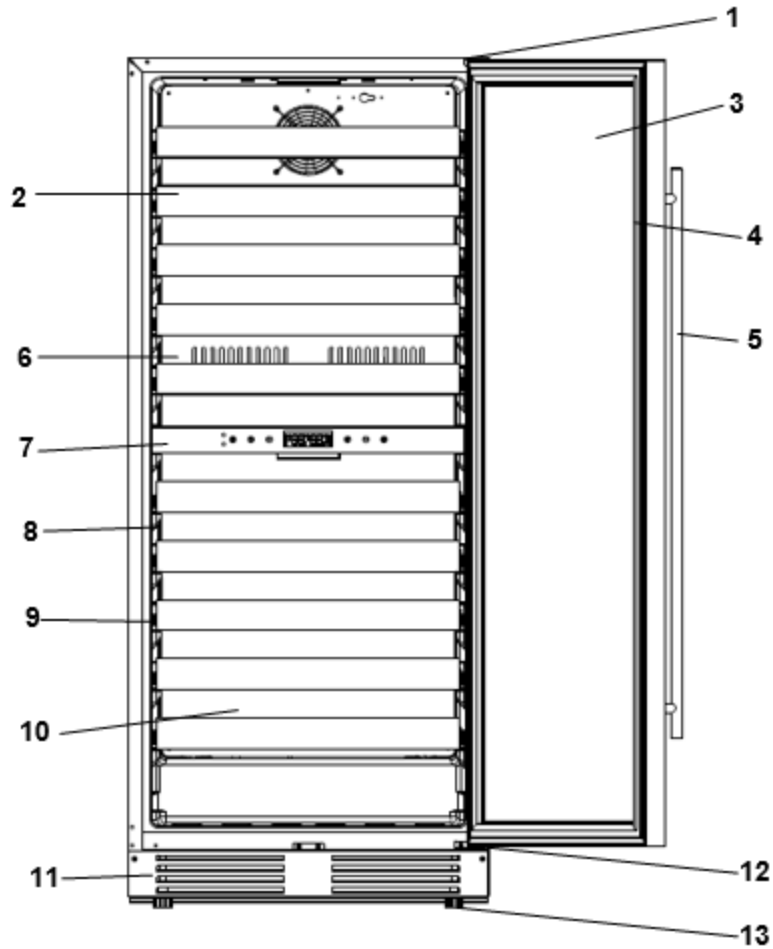
1	Right Upper Hinge
2	Control Panel
3	Door
4	Door Seal
5	Door Handle
6	Charcoal Filters
7	Wooden Shelf
8	Air Channel Plate
9	Vent Kick Plate
10	Right Lower Hinge
11	Adjustable Feet

SWC1966B/LWC2Z194



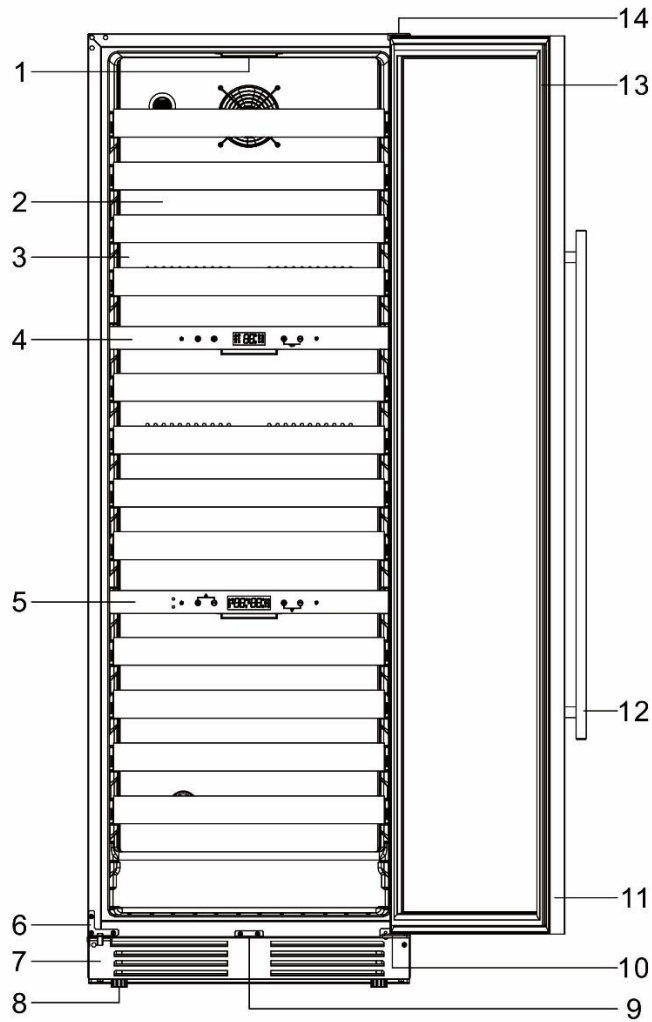
1	Right Upper Hinge
2	Air Channel Plate
3	Control Panel
4	Door
5	Door Seal
6	Door Handle
7	Wooden Shelf
8	Charcoal Filters
9	Vent Kick Plate
10	Right Lower Hinge
11	Adjustable Feet

**SWCP2116/ LWC2Z97  
SWCP2163/ LWC2Z195**



1	<b>Right Upper Hinge</b>
2	<b>Wire Shelf with S.S. Front Edge</b>
3	<b>Door</b>
4	<b>Door Seal</b>
5	<b>Door Handle</b>
6	<b>Air Channel Plate</b>
7	<b>Control Panel</b>
8	<b>Slide Light</b>
9	<b>Rolling Slideway</b>
10	<b>Charcoal Filters</b>
11	<b>Vent Kick Plate</b>
12	<b>Right Lower Hinge</b>
13	<b>Adjustable Feet</b>

**SWCP1988T/LWC3Z98**



1	<b>LED Light</b>
2	<b>Wire Shelf with S.S. Front Edge</b>
3	<b>Air Channel Plate</b>
4	<b>Upper Zone Separator</b>
5	<b>Lower Zone Separator</b>
6	<b>Door Support</b>
7	<b>Vent Kick Plate</b>
8	<b>Adjustable Feet</b>
9	<b>Lock</b>
10	<b>Right Lower hinge</b>
11	<b>Door</b>
12	<b>S.S. Handle</b>
13	<b>Door Seal</b>
14	<b>Right Upper Hinge</b>

# INSTALLATION INSTRUCTIONS

## Before Using your Appliance

Remove the exterior and interior packaging, and check to make sure you have the following parts:

<b>SWC1127B &amp; SWC1926B &amp; SWC1966B (LWC1Z96 &amp; LWC1Z193 &amp; LWC2Z194)</b>	<b>SWCP2116 &amp; SWCP2163 &amp; SWCP1988T (LWC2Z97 &amp; LWC2Z195 &amp; LWC3Z98)</b>
Instruction Manual	Instruction Manual
Wooden Shelves	Wire Shelves with Rolling Slideways
Door Handle	Door Handle

- Before connecting this appliance to the power source, let it stand upright for approximately 2 hours. This will reduce the possibility of a malfunction in the cooling system from handling during transportation.
- Clean the interior surface with lukewarm water using a soft cloth.
- The appliance is specially designed for wine storage; please do not put in other goods or food.

## Installing your Appliance

- This appliance is designed for freestanding or built-in (fully recessed) installation.
- Place your appliance on a floor that is strong enough to support it when it is fully loaded. To level your appliance, adjust the front leveling legs at the bottom of the appliance.
- Locate the appliance away from direct sunlight and sources of heat (stove, heater, radiator, etc.). Direct sunlight may affect the acrylic coating and heat sources may increase electrical consumption. Extremely cold ambient temperatures may also cause the unit not to perform properly.
- Avoid locating the unit in moist areas.
- Plug the appliance into an exclusive, properly installed-grounded wall outlet. Do not under any circumstances cut or remove the third (ground) prong from the power cord. Any questions concerning power and/or grounding should be directed toward a certified electrician or a service center authorized by Felix Storch, Inc.

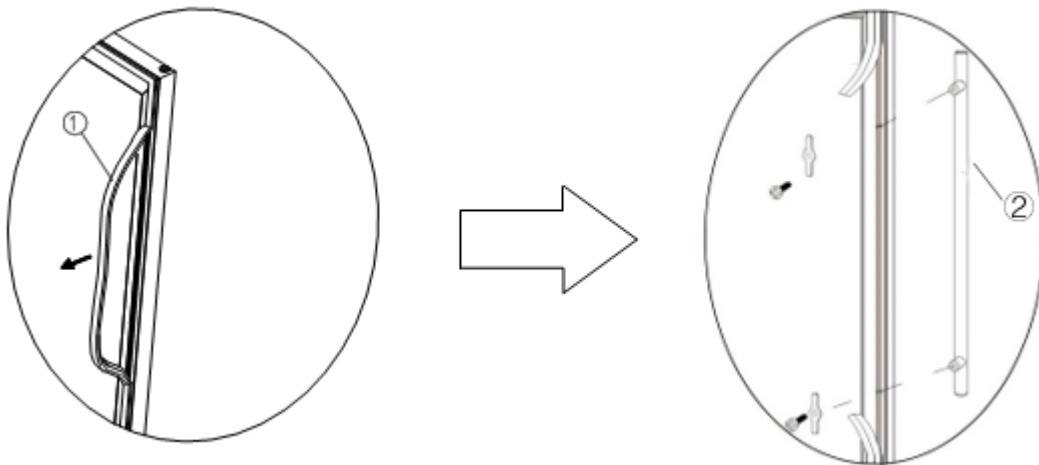
## Installing the Door Handle

This cooler includes one stainless steel handle that is not installed by the factory.

**NOTE:** The door handle is packaged inside, between the inner foam and the outer box. Do not discard packaging until you have removed the handle.

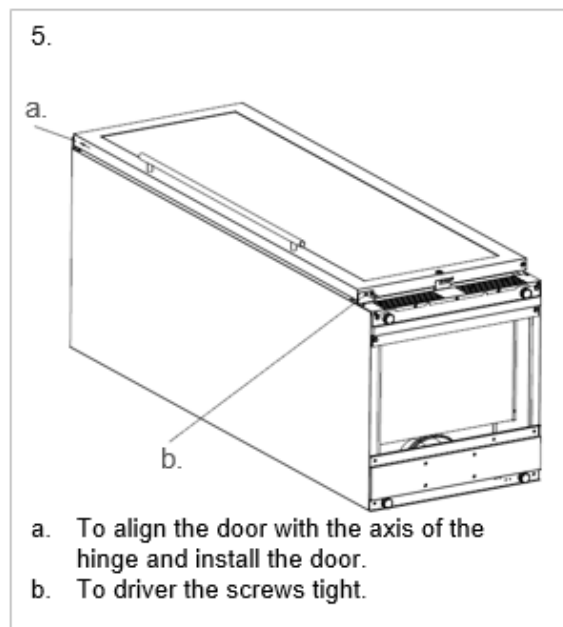
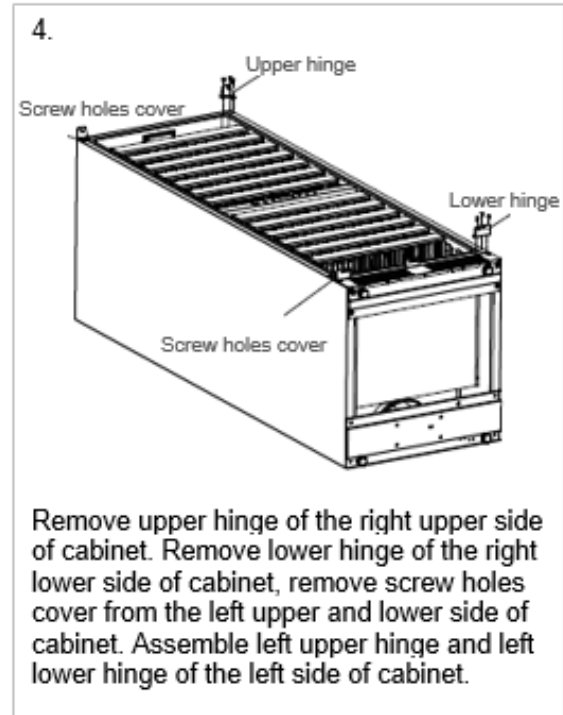
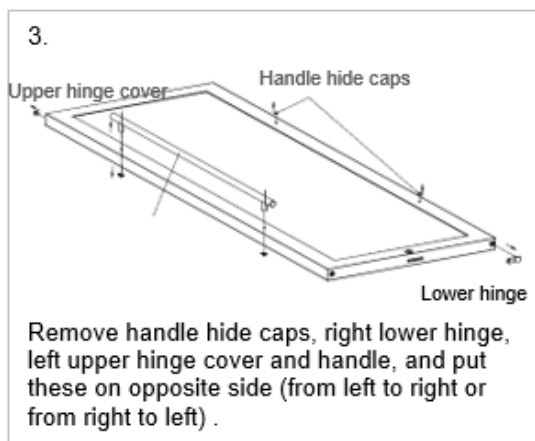
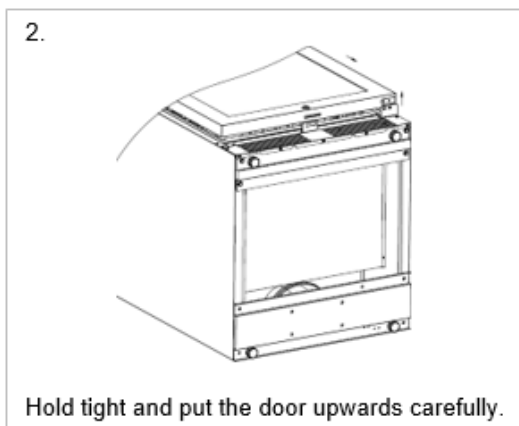
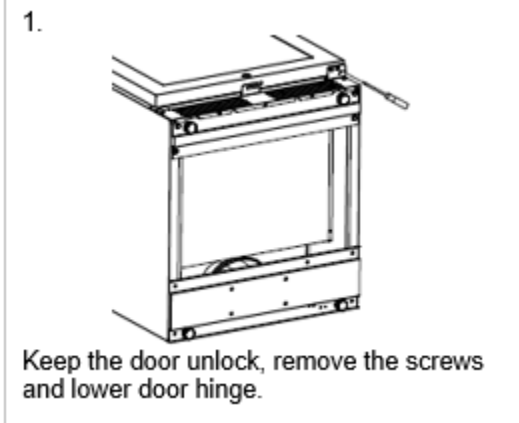
To install the handle please follow these instructions:

1. Pull the door gasket (1) away from the door where the handle is to be installed, as shown in the first illustration below. The gasket is easily displaced by hand, no tools are necessary.
2. Align the handle (2) with the screws pre-installed on the backside of the door. Tighten the screws using a Phillips head screwdriver until the handle sets both flush and secured tightly against the door frame. (DO NOT over-tighten as this will cause damage to the handle assembly).
3. Replace the door gasket to its original position.



## Reversing the Door Swing

The diagram below will explain how to reverse the door swing of your beverage cooler. Be careful to pay attention to the numbering of the steps below. Before reversing the door, please make sure unplug the appliance and must be let it stand upright for approximately 2 hours before connecting to the power source.

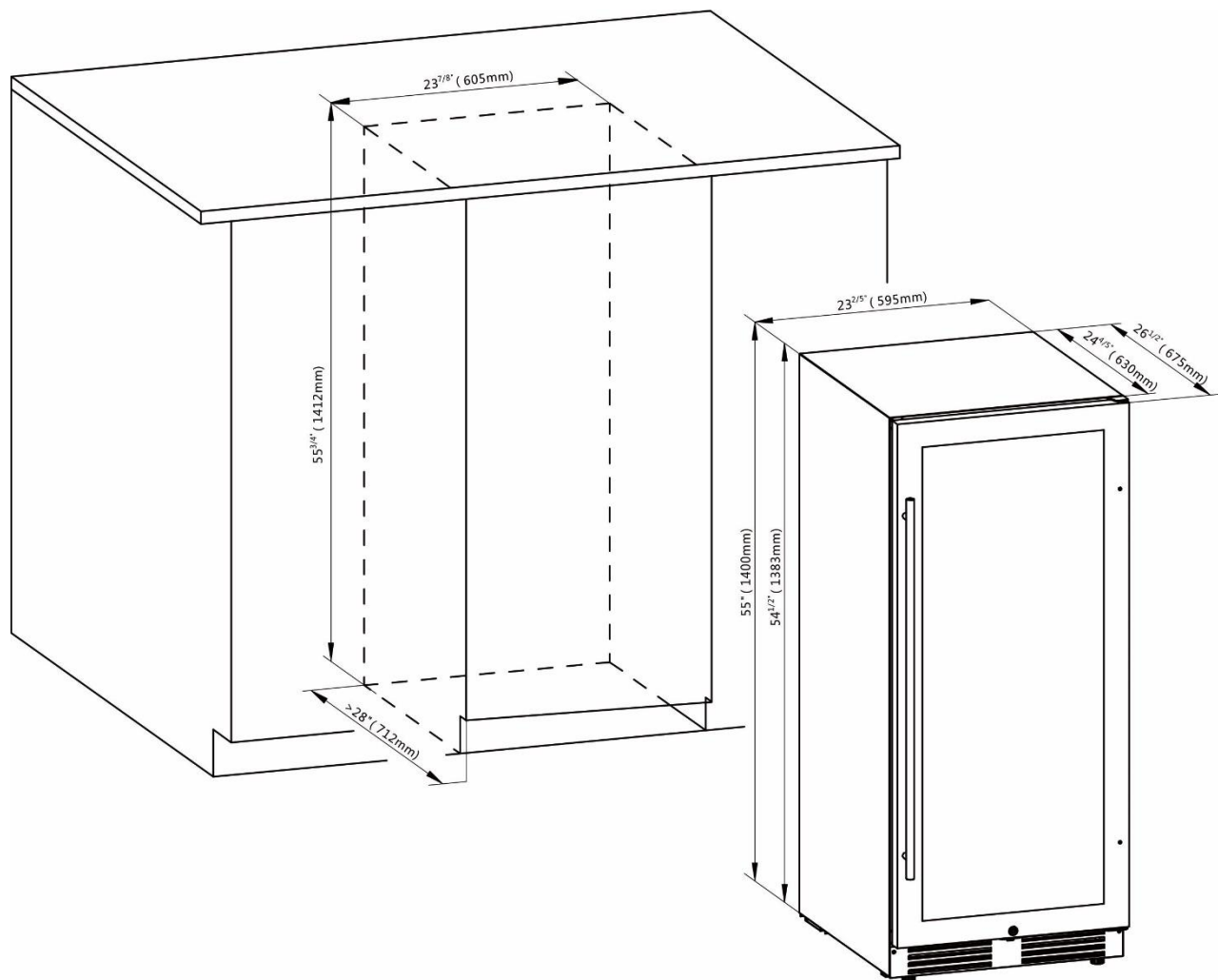


## Built-In Cabinet Instructions

This unit is designed for both built-in and freestanding installation. If you plan to use this unit in a built-in application, please follow the requirements shown below. Be sure that airflow under the appliance is not blocked.

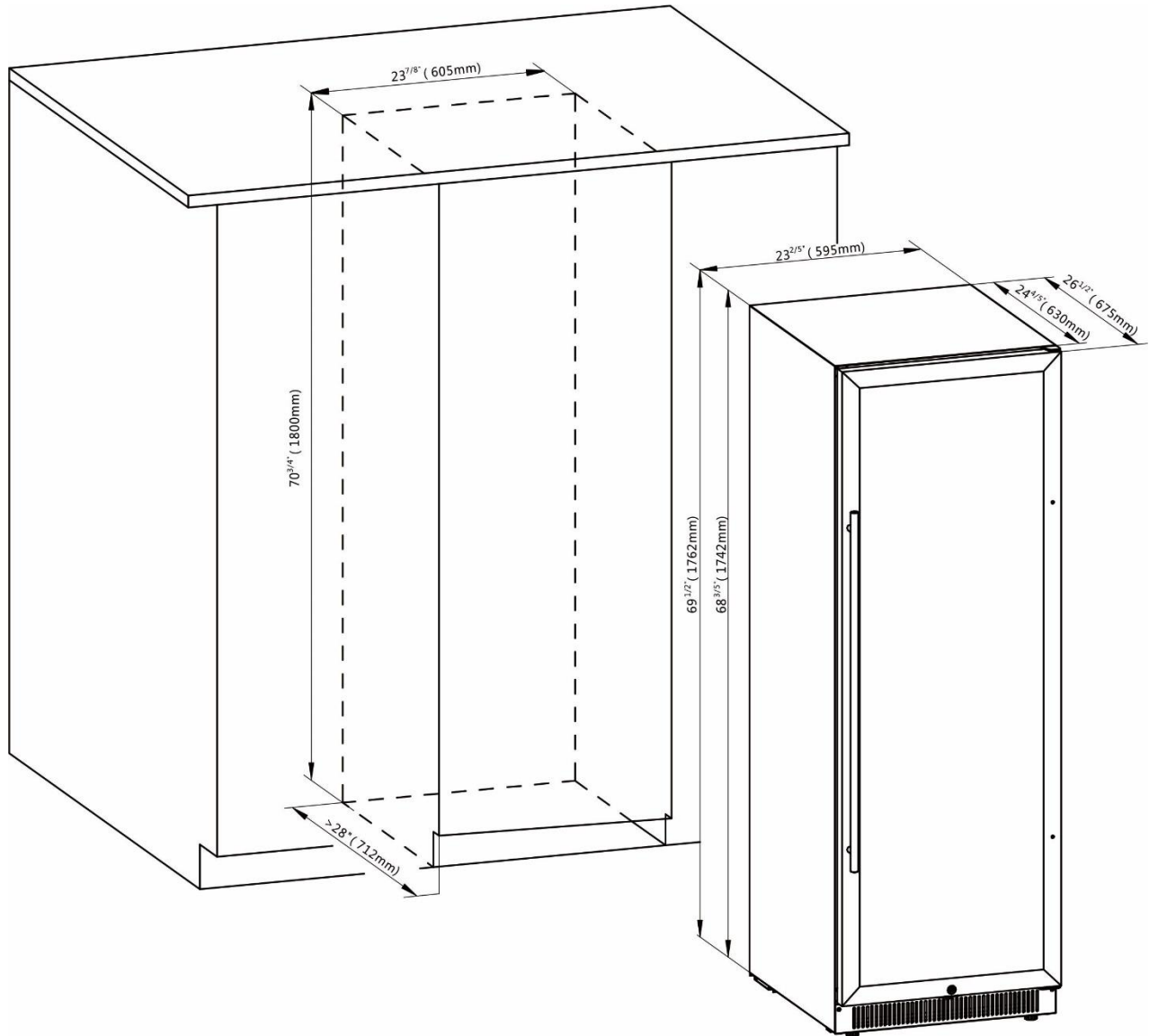
### SWC1127B/LWC1Z96 and SWCP2116/LWC2Z97

Cabinet Opening Dimensions		
	IN (min)	CM (min)
Width	23 7/8"	60.5 cm
Depth	28"	71.2 cm
Height	55 3/4"	141.2 cm



**SWC1926B/LWC1Z193, SWC1966B/LWC2Z194, SWCP2163/LWC2Z195 and SWCP1988T/LWC3Z98**

<b>Cabinet Opening Dimensions</b>		
	IN (min)	CM (min)
Width	23 7/8"	60.5 cm
Depth	28"	71.2 cm
Height	70 3/4"	180 cm



## Electrical Connection



Improper use of the grounded plug can result in the risk of electrical shock. If the power cord is damaged, have it replaced by a service center authorized by Felix Storch, Inc.

This appliance should be properly grounded for your safety. The power cord of this appliance is equipped with a three-prong plug which mates with standard three prong wall outlets to minimize the possibility of electrical shock.

Do not under any circumstances cut or remove the third ground prong from the power cord supplied. For personal safety, this appliance must be properly grounded.

This appliance requires a standard three-prong 115/120 Volt AC ~/60Hz electrical ground wall outlet. Have the wall outlet and circuit checked by a qualified electrician to make sure the outlet is properly grounded. When a standard 2-prong wall outlet is encountered, it is your responsibility and obligation to have it replaced with a properly grounded 3-prong wall outlet.

The cord should be secured behind the appliance and not left exposed or dangling to prevent accidental injury.

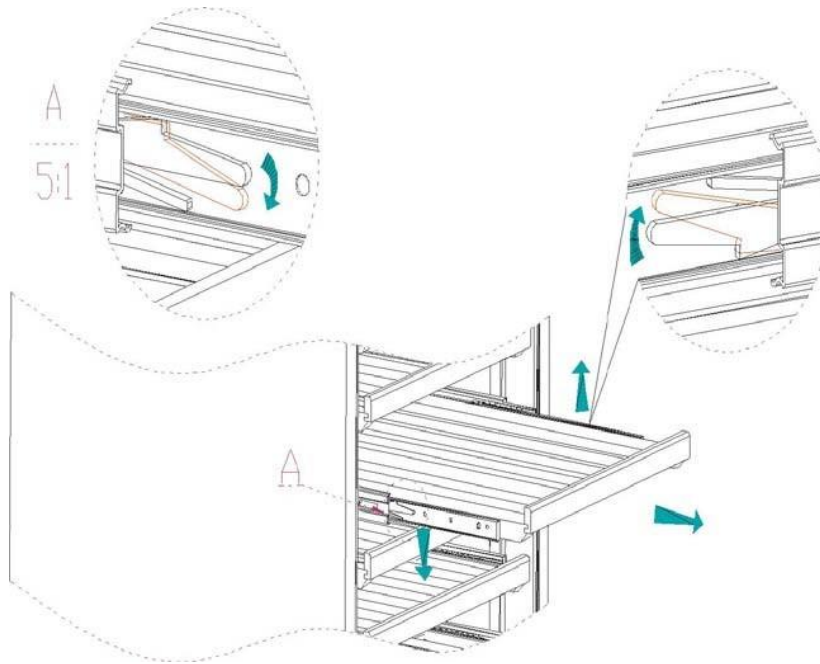
The appliance should always be plugged into its own individual electrical outlet which has a voltage rating that matches the rating label on the appliance. This provides the best performance and also prevents overloading house wiring circuits that could be a fire hazard from overheating. Never unplug the appliance by pulling the power cord. Always grip the plug firmly and pull straight out from the receptacle. Repair or replace immediately all power cords that have become frayed or otherwise damaged. Do not use a cord that shows cracks or abrasion damage along its length or at either end. When moving the appliance, be careful not to damage the power cord.

## Extension Cord

Because of potential safety hazards under certain conditions, it is strongly recommended that you do not use an extension cord with this appliance. However, if you must use an extension cord it is absolutely necessary that it be a UL/CUL-Listed, 3-wire grounding type appliance extension cord having a grounding type plug and outlet and that the electrical rating of the cord be 115 volts and at least 10 amperes.

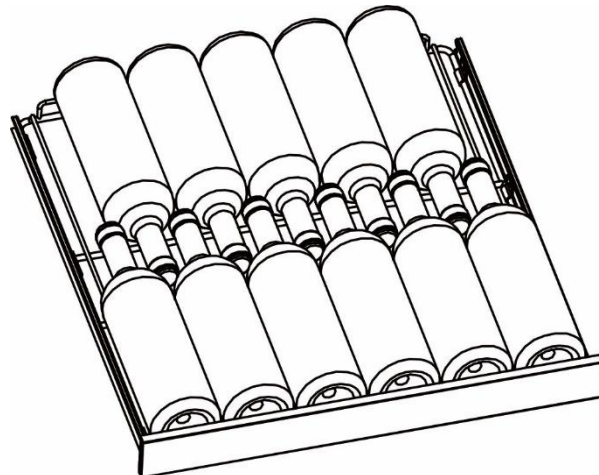
## Rearranging the Shelves

These instructions are intended for models SWCP2116/LWC2Z97 and SWCP2163/LWC2Z195.



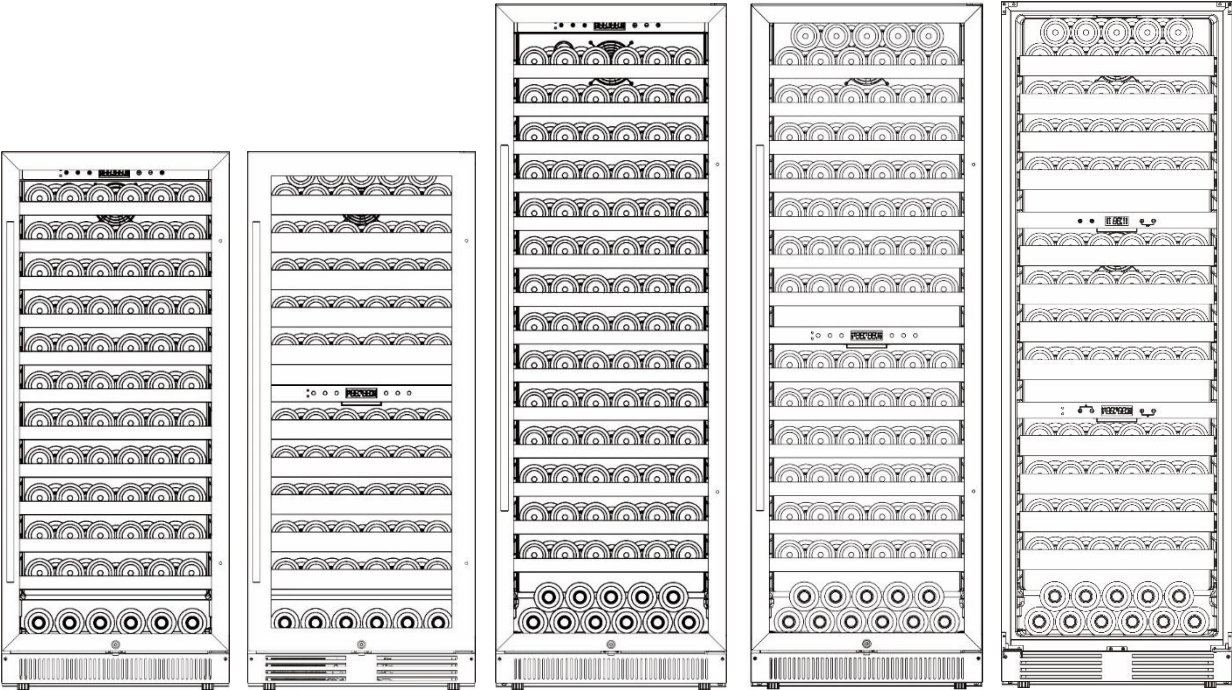
1. First remove all wine and/or beverages from the shelf.
2. Pull the shelf out to its limit, and then press DOWN on the left lever on the sliding rail and press UP on the right one simultaneously as shown to the left.
3. Pull the shelf out while still holding the levers in place.

## Placement and Storage of Wines



Bottle loading sketch for the large shelves

- SWC1127B/ LWC1Z96 was designed to store a maximum of 127 Bordeaux bottles in total.
- SWCP2116/ LWC2Z97 was designed to store a maximum of 116 Bordeaux bottles in total.
- SWC1926B/ LWC1Z193 was designed to store a maximum of 165 Bordeaux bottles in total.
- SWC1966B/ LWC2Z194 was designed to store a maximum of 163 Bordeaux bottles in total.
- SWCP2163/ LWC2Z195 was designed to store a maximum of 163 Bordeaux bottles in total.
- SWCP1988T/ LWC3Z98 was designed to store a maximum of 154 Bordeaux bottles in total.



**SWC1127B  
LWC1Z96**

**SWCP2116  
LWC2Z97**

**SWC1926B  
LWC1Z193**

**SWC1966B/SWCP2163  
LWC2Z194/LWC2Z195**

**SWCP1988T  
LWC3Z98**

**NOTE:** Bottle sizes, even standard Bordeaux style, may vary in exact sizing and details between different wine producers and bottling companies. Your overall bottle capacity may be slightly lower depending on the exact bottle design you are storing. For wider Burgundy style bottles, visit our website for storage guidelines.



# OPERATING YOUR APPLIANCE

It is recommended that you install the appliance in a place where the ambient temperature is between 61°- 100° F (16°-38° C). If the ambient temperature is higher or lower than recommended temperatures, the performance of the unit may be affected. For example, placing your unit in extremely cold or hot conditions may cause interior temperatures to fluctuate. The range of 41°- 65° F (5°-18° C) may not be reached.

Temperature Ranges		
WINE COOLER (SINGLE ZONE)	41 - 65° F	5 - 18° C
WINE COOLER (DUAL ZONE)	Upper Zone: 41 - 54° F Lower Zone: 54 - 65° F	Upper Zone: 5 - 12° C Lower Zone: 12 - 18° C
WINE COOLER (TRIPLE ZONE)	Upper Zone: 41 - 65° F Middle Zone: 41 - 54° F Lower Zone: 54 - 65° F	Upper Zone: 5 - 18° C Middle Zone: 5 - 12° C Lower Zone: 12 - 18° C

## Control Panel for SWC1127B/LWC1Z96 and SWC1926B/LWC1Z193



## Control Panel for SWCP2116/LWC2Z97, SWC1966B/ LWC2Z194 and SWCP2163/LWC2Z195




## Control Panel for SWCP1988T/LWC3Z98

Upper zone






Middle/Lower zone








- Press and hold  for two seconds on the control panel to turn the cooler on or off. When the cooler is turned off, the appliance will stop working and totally shut down.




### Light Setting

- The default light setting turns the light on automatically when the door is opened, and turn the light off when the door is closed. The LCD screen will show  in the default mode.
- Press and hold for  three seconds to always keep the light turned on. The LCD screen will show  in this mode.

### Temperature Setting

- Press the  or  to adjust the temperature up or down by 1°F or 1°C.
- Press  to change the temperature display from Celsius to Fahrenheit or from Fahrenheit to Celsius for SWC1127B/LWC1Z96 and SWC1926B/LWC1Z193 models.
- Press both the  and  together and hold for 3 seconds to change the temperature display from Celsius to Fahrenheit or from Fahrenheit to Celsius for the SWCP2116/LWC2Z97, SWC1966B/ LWC2Z194, SWCP2163/LWC2Z195 and SWCP1988T/LWC3Z98 models.

### Warning System

- The door alarm will beep three times every five seconds, and the LCD screen will display  when the door is open for over 5 minutes. Press any key or close the door to stop the alarm.
- When the temperature inside the appliance is **below** 35.6°F (2°C) for over 3 hours, the alarm will sound and the LCD screen will display . Press any key to stop the alarm from sounding.
- When the temperature inside the appliance is **above** 77.°F (25°C) for over 6 hours, the alarm will sound and the LCD screen will display . Press any key to stop the alarm from sounding.

### **Recommended Temperatures for Chilling Wine**

To preserve the quality and taste of your fine wines, they must be stored at the ideal temperature and ambient conditions. The ideal wine chilling temperatures are listed below:

Red Wines	58 - 65 °F	15 - 18 °C
Dry / White Wines	48 - 57 °F	10 - 14 °C
Rosé Wines	49 - 51 °F	9 – 11 °C
Sparkling Wines	40 - 47 °F	5 - 8 °C

# CARE AND MAINTENANCE

## Cleaning your Appliance

1. Turn off the power, unplug the appliance, and remove all items, including the shelves.
2. Wash the inside surfaces with a warm water and baking soda solution. The solution should be about 2 tablespoons of baking soda to a quart of water.
3. Wash the shelves with a mild detergent solution.
4. Wring excess water out of the sponge or cloth when cleaning area of the controls, or any electrical parts.
5. Wash the outside cabinet with warm water and mild liquid detergent. Rinse well and wipe dry with a clean soft cloth.
6. Do not use steel wool or steel brush on the stainless steel. These will contaminate the stainless steel with steel particles and rusting may occur.

## Charcoal Filtration System

Your cellar is equipped with an active charcoal filtration system to ensure air purity, cooling efficiency, and to maintain an odor-free cabinet for the storage of your wine. The filter assembly is located at the rear panel inside your cooler. To replace your filter:

1. Remove the bottles/cans stored on the two shelves in front of the filter.
2. Remove the shelves and set aside to be replaced once you have changed the filter.
3. Hold the filter and turn it at 90 degrees in a counter-clockwise direction and then pull it out.
4. Remove the existing filter and replace with a new one.
5. Put the new filter into the hole and then turn the filter 90 degrees in a clockwise direction.

## Power Failure

Most power failures are corrected within a few hours and should not affect the temperature of your appliance if you minimize the number of times the door is opened. If the power is going to be off for a longer period of time, you need to take the proper steps to protect your contents.

## Moving your Appliance

- Remove all items.
- Securely tape down all loose items (shelves) inside your appliance.
- Tape the door shut.
- Be sure the appliance stays secure in the upright position during transportation.
- Protect outside of appliance with a blanket or similar item.

## Energy-Saving Tips

The appliance should be located in the coolest area of the room, away from heat producing appliances, and out of direct sunlight.

# TROUBLESHOOTING

You can solve many common problems easily, saving you the cost of a possible service call. Try the suggestions below to see if you can solve the problem before calling the service technician.

<b>Problem</b>	<b>Possible Causes</b>
The appliance is not running.	<ul style="list-style-type: none"> <li>• The appliance is not plugged in.</li> <li>• The appliance is not turned on.</li> <li>• The voltage of the installation is not correct.</li> <li>• The circuit breaker or fuse may have blown.</li> </ul>
The appliance is not cold enough.	<ul style="list-style-type: none"> <li>• Check the temperature control setting.</li> <li>• Check if the ambient temperature is beyond the appliance's operating temperature.</li> <li>• The door is opened too frequently.</li> <li>• The door is not closed properly.</li> <li>• The door is not sealing properly.</li> <li>• Insufficient free space around the appliance.</li> </ul>
The compressor starts and stops frequently.	<ul style="list-style-type: none"> <li>• The external temperature is high.</li> <li>• A large quantity of bottles has been put into the cellar.</li> <li>• The appliance is opened too frequently.</li> <li>• The door is not properly closed.</li> <li>• The appliance has not been properly set.</li> </ul>
LED lights do not operate.	<ul style="list-style-type: none"> <li>• The appliance is not plugged in.</li> <li>• The fuse has blown.</li> <li>• LED lights are broken.</li> <li>• The light switch is off.</li> </ul>
Vibrations	<ul style="list-style-type: none"> <li>• Check and ensure the appliance is level.</li> </ul>
The appliance makes too much noise.	<ul style="list-style-type: none"> <li>• The rattling noise may come from the flow of refrigerant, which is normal.</li> <li>• Water can be heard circulating at the end of a cooling cycle.</li> <li>• Expansion and contraction of the internal walls may cause a cracking sound.</li> <li>• The appliance is not level.</li> <li>• Check if the fan is in good condition.</li> </ul>
The door does not close properly.	<ul style="list-style-type: none"> <li>• The appliance is not level.</li> <li>• The door seal is dirty or damaged.</li> <li>• The shelves are not positioned correctly.</li> <li>• A part of the contents is preventing the door from closing.</li> </ul>

# LIMITED WARRANTY

## **ONE-YEAR LIMITED WARRANTY**

Within the 48 contiguous United States, for one year from the date of purchase, when this appliance is operated and maintained according to instructions attached to or furnished with the product, warrantor will pay for factory- specified parts and repair labor to correct defects in materials or workmanship. Service must be provided by a designated service company. Outside the 48 states, all parts are warranted for one year from manufacturing defects. Plastic parts, shelves and cabinets are warranted to be manufactured to commercially acceptable standards, and are not covered from damage during handling or breakage.

## **5-YEAR COMPRESSOR WARRANTY**

1. The compressor is covered for 5years.
2. Replacement does not include labor.

### ***ITEMS WARRANTOR WILL NOT PAY FOR:***

1. Service calls to correct the installation of your appliance, to instruct you how to use your appliance, to replace or repair fuses or to correct wiring or plumbing.
2. Service calls to repair or replace appliance light bulbs or broken shelves. Consumable parts (such as filters) are excluded from warranty coverage.
3. Damage resulting from accident, alteration, misuse, abuse, fire, flood, acts of God, improper installation, installation not in accordance with electrical or plumbing codes, or use of products not approved by warrantor.
4. Replacement parts or repair labor costs for units operated outside the United States.
5. Repairs to parts or systems resulting from unauthorized modifications made to the appliance.
6. The removal and reinstallation of your appliance if it is installed in an inaccessible location or is not installed in accordance with published installation instructions.

## **DISCLAIMER OF IMPLIED WARRANTIES; LIMITATION OF REMEDIES**

CUSTOMER'S SOLE AND EXCLUSIVE REMEDY UNDER THIS LIMITED WARRANTY SHALL BE PRODUCT REPAIR AS PROVIDED HEREIN. IMPLIED WARRANTIES, INCLUDING WARRANTIES OF MERCHANTABILITY OR FITNESS FOR A PARTICULAR PURPOSE, ARE LIMITED TO ONE YEAR. WARRANTOR SHALL NOT BE LIABLE FOR INCIDENTAL OR CONSEQUENTIAL DAMAGES. SOME STATES DO NOT ALLOW THE EXCLUSION OR LIMITATION OF INCIDENTAL OR CONSEQUENTIAL DAMAGES, OR LIMITATIONS ON THE DURATION OF IMPLIED WARRANTIES OF MERCHANTABILITY OR FITNESS, SO THESE EXCLUSIONS OR LIMITATIONS MAY NOT APPLY TO YOU. THIS WARRANTY GIVES YOU SPECIFIC LEGAL RIGHTS AND YOU MAY ALSO HAVE OTHER RIGHTS, WHICH VARY FROM STATE TO STATE.



**WARNING: This product can expose you to chemicals including Nickel (Metallic) which is known to the State of California to cause cancer.**

For more information go to [www.P65Warnings.ca.gov](http://www.P65Warnings.ca.gov)

Note: Nickel is a component in all stainless steel and some other metal components.

**Summit Division of Felix Storch, Inc.**  
An ISO 9001:2015 registered company  
770 Garrison Avenue  
Bronx, NY 10474  
[www.summitappliance.com](http://www.summitappliance.com)

# SUMMIT

For parts and accessory ordering,  
troubleshooting and helpful hints, visit:  
[www.summitappliance.com/support](http://www.summitappliance.com/support)



# WINE CELLAR



Des Modèles:

SWC1127B  
LWC1Z96

SWCP2116  
LWC2Z97

SWC1926B  
LWC1Z193

SWC1966B  
LWC2Z194

SWCP2163  
LWC2Z195

SWCP1988T  
LWC3Z98

## Mode d'Emploi

AVANT L'UTILISATION, VEUILLEZ LIRE ET SUIVRE TOUTES LES RÈGLES DE SÉCURITÉ ET LES INSTRUCTIONS D'UTILISATION DE CE MANUEL.

Écrivez ici les numéros de modèle et de série:

Modèle: \_\_\_\_\_

En Série No.: \_\_\_\_\_

Summit Division of Felix Storch, Inc.  
An ISO 9001:2015 registered company  
770 Garrison Avenue  
Bronx, NY 10474  
[www.summitappliance.com](http://www.summitappliance.com)



# TABLE DES MATIÈRES

<b>Sécurité de l'Appareil</b>	<b>25</b>
<b>Garanties Importantes</b>	<b>25-27</b>
<b>Emplacement des Pièces</b>	<b>28-31</b>
<b>Instructions d'Installation</b>	<b>32-39</b>
<i>Avant d'Utiliser votre Appareil</i>	32
<i>Installation de votre Appareil</i>	33
<i>Installation de la Poignée de Porte</i>	33
<i>Inverser la Porte Battante</i>	34
<i>Instructions d'Armoire Intégrée</i>	35-36
<i>Connexion Électrique</i>	37
<i>Rallonge</i>	37
<i>Réorganiser les Étagères</i>	38
<i>Placement et Stockage du Vin</i>	38-39
<b>Utilisation de votre Appareil</b>	<b>40-41</b>
<b>Entretien et Maintenance</b>	<b>42</b>
<b>Dépannage</b>	<b>43</b>
<b>Garantie Limitée</b>	<b>44</b>

# SÉCURITÉ DE L'APPAREIL

Votre sécurité et celle des autres sont très importantes.

Nous avons fourni de nombreux messages de sécurité importants dans ce manuel et sur votre appareil. Lisez et respectez toujours tous les messages de sécurité.



C'est le symbole d'alerte de sécurité. Ce symbole vous avertit des dangers potentiels qui peuvent vous tuer ou vous blesser, ainsi que d'autres personnes. Tous les messages de sécurité suivront le symbole d'alerte de sécurité et les mots "DANGER", "AVERTISSEMENT" ou "ATTENTION".



DANGER signifie que le non-respect de cette déclaration de sécurité peut entraîner des blessures graves ou la mort.



AVERTISSEMENT/WARNING signifie que le non-respect de cette déclaration de sécurité peut entraîner des dommages importants au produit, des blessures graves ou la mort.



ATTENTION/CAUTION signifie que le non-respect de cette déclaration de sécurité peut entraîner des blessures corporelles mineures ou modérées, ou des dommages matériels.

Tous les messages de sécurité vous alerteront sur le danger potentiel, vous indiqueront comment réduire le risque de blessure et vous indiqueront ce qui peut arriver si les instructions ne sont pas suivies.

## DIVULGATION DE CARB / SNAP DE CALIFORNIE

Ce produit utilise un réfrigérant hydrocarboné respectueux de l'environnement et est entièrement conforme aux réglementations California CARB.

Cependant, la loi californienne nous oblige à fournir la déclaration de divulgation suivante dans chaque produit vendu en Californie.

"L'utilisation de cet équipement est interdite en Californie avec des réfrigérants figurant sur la 'Liste des substances interdites' pour cette utilisation finale spécifique, conformément au California Code of Regulations, titre 17, section 95374. Cette déclaration de divulgation a été revue et approuvée par Felix Storch, Inc. et Felix Storch, Inc. attestent, sous peine de parjure, que ces déclarations sont vraies et exactes."

Ce produit n'utilise aucun fluide frigorigène de la "Liste des substances interdites"

# GARANTIES IMPORTANTES



Avant d'utiliser l'appareil, il doit être correctement positionné et installé comme décrit dans ce manuel, alors lisez-le attentivement. Pour réduire le risque d'incendie, de choc électrique ou de blessure lors de l'utilisation de l'appareil, suivez les précautions de base, notamment les suivantes:



- Branchez-le sur une prise à 3 broches mise à la terre, ne retirez pas la broche à la terre, n'utilisez pas d'adaptateur et n'utilisez pas de rallonge.
- Remplacez tous les panneaux avant d'utiliser.
- Il est recommandé de prévoir un circuit séparé, ne servant que votre appareil. Utilisez des prises qui ne peuvent pas être fermées par un interrupteur ou une chaîne de traction.
- Ne nettoyez jamais les pièces de l'appareil avec des liquides inflammables. Ces fumées peuvent créer un risque d'incendie ou d'explosion. Et ne stockez pas et n'utilisez pas d'essence ou d'autres vapeurs et liquides inflammables à proximité de cet appareil ou de tout autre appareil. Les fumées peuvent créer un risque d'incendie ou d'explosion.
- Avant de procéder aux opérations de nettoyage et d'entretien, assurez-vous que la ligne d'alimentation de l'unité est débranchée.
- Ne branchez pas ou ne débranchez pas la prise électrique lorsque vos mains sont mouillées.
- Mettre l'appareil hors tension ou débranchez-le avant le nettoyage ou l'entretien. Ne pas le faire peut entraîner un choc électrique ou la mort.
- N'essayez pas de réparer ou de remplacer une pièce de votre appareil, sauf si cela est spécifiquement recommandé dans ce manuel. Toutes les autres réparations doivent être confiées à un technicien qualifié.
- Cet appareil est sans CFC et HFC et contient de petites quantités d'isobutane (R600a) qui est respectueux de l'environnement, mais inflammable. Il n'endommage pas la couche d'ozone et n'augmente pas l'effet de serre. Lors du transport et de l'installation de l'appareil, il faut veiller à ce qu'aucune partie du système de refroidissement ne soit endommagée. Une fuite de liquide de refroidissement peut s'enflammer et endommager les yeux.
- En cas de dommages:
  - Évitez les flammes nues et tout ce qui crée une étincelle,
  - Se déconnecter de la ligne électrique,
  - Aérez la pièce dans laquelle se trouve l'appareil pendant plusieurs minutes, et
  - Contactez le service après-vente pour obtenir des conseils.
- Plus il y a de liquide de refroidissement dans un appareil, plus la pièce dans laquelle il doit être installé est grande. En cas de fuite, si l'appareil est dans une petite pièce, il y a un risque de formation de gaz combustibles. Pour chaque once de liquide de refroidissement, au moins 325 pieds cubes d'espace sont requis. La quantité de liquide de refroidissement dans l'appareil est indiquée sur la plaque signalétique à l'arrière de l'appareil. Il est dangereux pour quiconque autre qu'un technicien agréé d'effectuer des réparations ou des réparations sur cet appareil.
- Faites très attention lors de la manipulation, du déplacement et de l'utilisation de l'appareil afin d'éviter d'endommager la tubulure de réfrigérant ou d'augmenter le risque de fuite.
- Le remplacement des pièces des composants et l'entretien doivent être effectués par du personnel de service autorisé par l'usine afin de minimiser le risque d'allumage possible en raison de pièces incorrectes ou d'un mauvais entretien.



SUIVEZ L'APPEL D'ALERTE CI-DESSOUS SEULEMENT QUAND S'APPLIQUE À VOTRE MODÈLE

- Utilisez deux personnes ou plus pour déplacer et installer l'appareil. Ne pas le faire peut entraîner des blessures au dos ou autres.
- Pour assurer une bonne ventilation de votre appareil, l'avant de l'appareil doit être complètement dégagé. Choisissez un endroit bien ventilé avec des températures supérieures à 60°F (16°C) et inférieures à 100°F (38°C). Cet appareil doit être installé dans une zone protégée des éléments tels que le vent, la pluie, les projections d'eau ou les gouttes.
- L'appareil ne doit pas être placé à côté de fours, de grils ou d'autres sources de chaleur élevée.
- L'appareil doit être installé avec toutes les connexions électriques, d'eau et de vidange conformément aux codes nationaux et locaux. Une alimentation électrique standard (115 V CA uniquement, 60 Hz), correctement mise à la terre conformément au Code national de l'électricité et aux codes et règlements locaux est requise.
- Ne pas plier ni pincer le cordon d'alimentation de l'appareil.
- La taille du fusible (ou du disjoncteur) doit être de 15 ampères.
- Il est important que l'appareil soit de niveau afin de fonctionner correctement. Vous devrez peut-être effectuer plusieurs ajustements pour le mettre à niveau.
- Ne laissez jamais les enfants utiliser, jouer ou ramper à l'intérieur de l'appareil.
- N'utilisez pas de produits de nettoyage à base de solvants ou d'abrasifs à l'intérieur. Ces nettoyeurs peuvent endommager ou décolorer l'intérieur.
- N'utilisez pas cet appareil à des fins autres que celles pour lesquelles il a été conçu.



***Risque de coincement de l'enfant!***

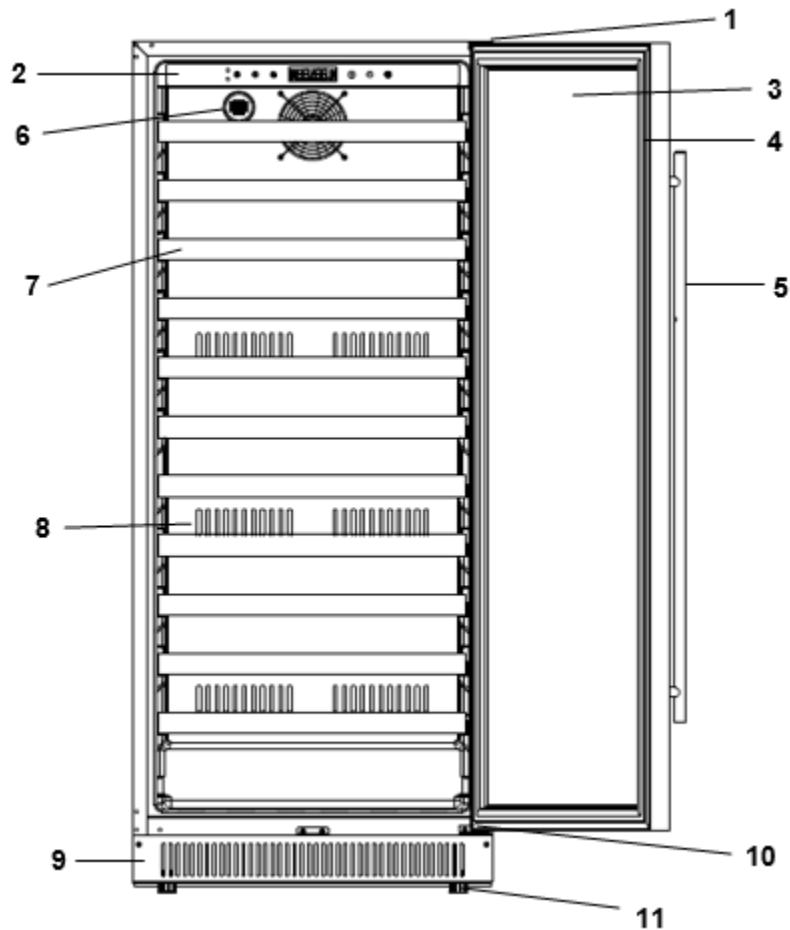
Le piégeage et la suffocation des enfants ne sont pas des problèmes du passé. Les électroménagers jetés ou abandonnés sont toujours dangereux, même s'ils "resteront dans le garage quelques jours".

- *Avant de jeter votre ancien réfrigérateur:*
  - *Enlevez les portes*
  - *Laissez les étagères en place afin que les enfants ne puissent pas facilement grimper à l'intérieur.*

**– CONSERVEZ CES INSTRUCTIONS –**

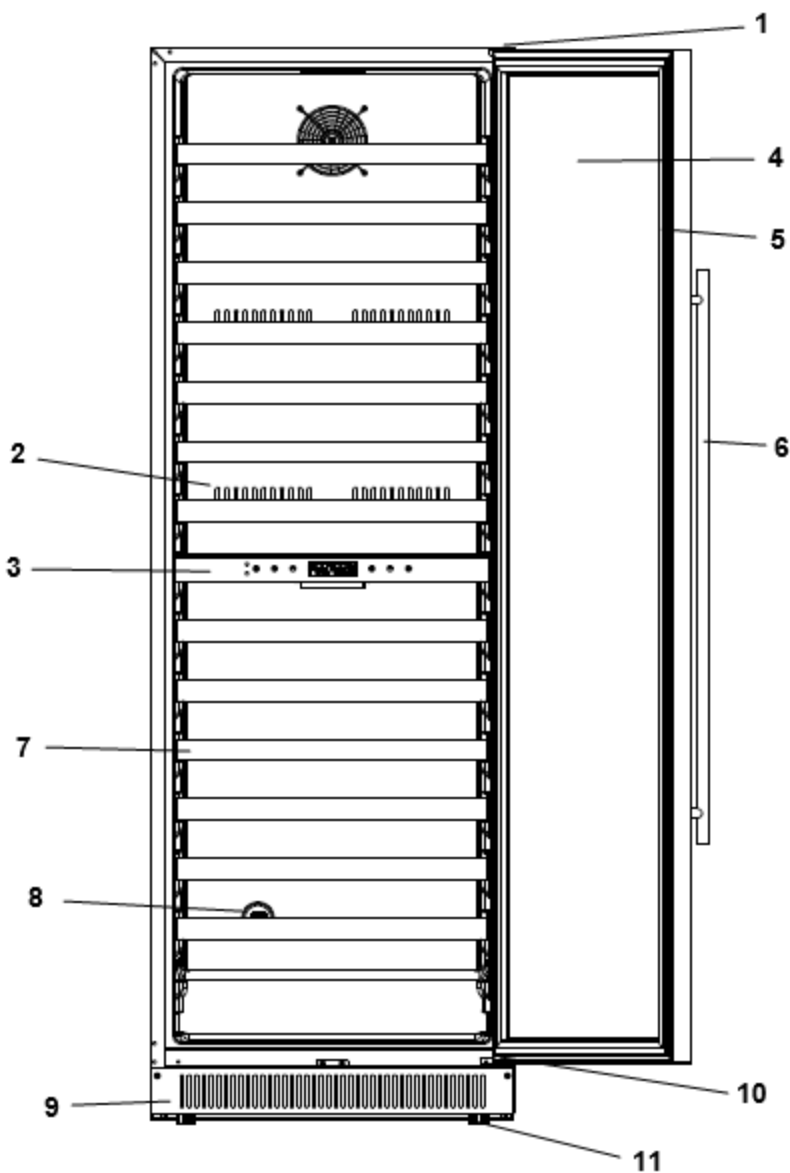
# EMPLACEMENT DES PIÈCES

SWC1127B/LWC1Z96  
SWC1926B/LWC1Z193



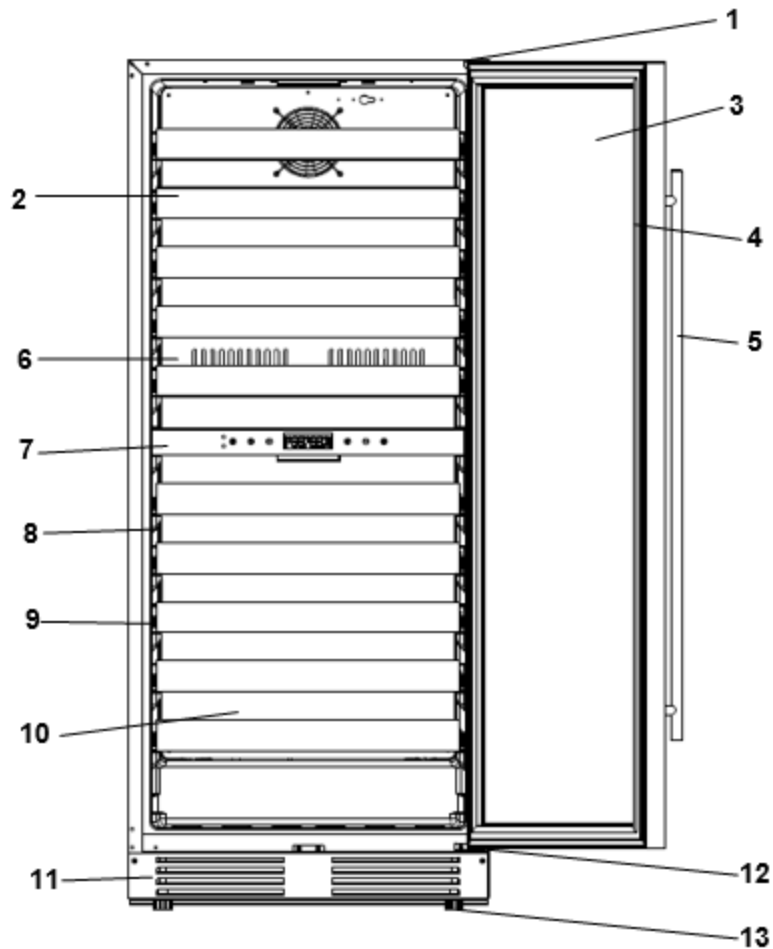
1	<b>Charnière Supérieure Droite</b>
2	<b>Panneau de Configuration</b>
3	<b>Porte</b>
4	<b>Joint de Porte</b>
5	<b>Poignée de Porte</b>
6	<b>Filtres à Charbon</b>
7	<b>Étagère en Bois</b>
8	<b>Plaque de Canal d'Air</b>
9	<b>Plaque de Ventilation</b>
10	<b>Charnière Inférieure Droite</b>
11	<b>Pieds Réglables</b>

## SWC1966B/LWC2Z194



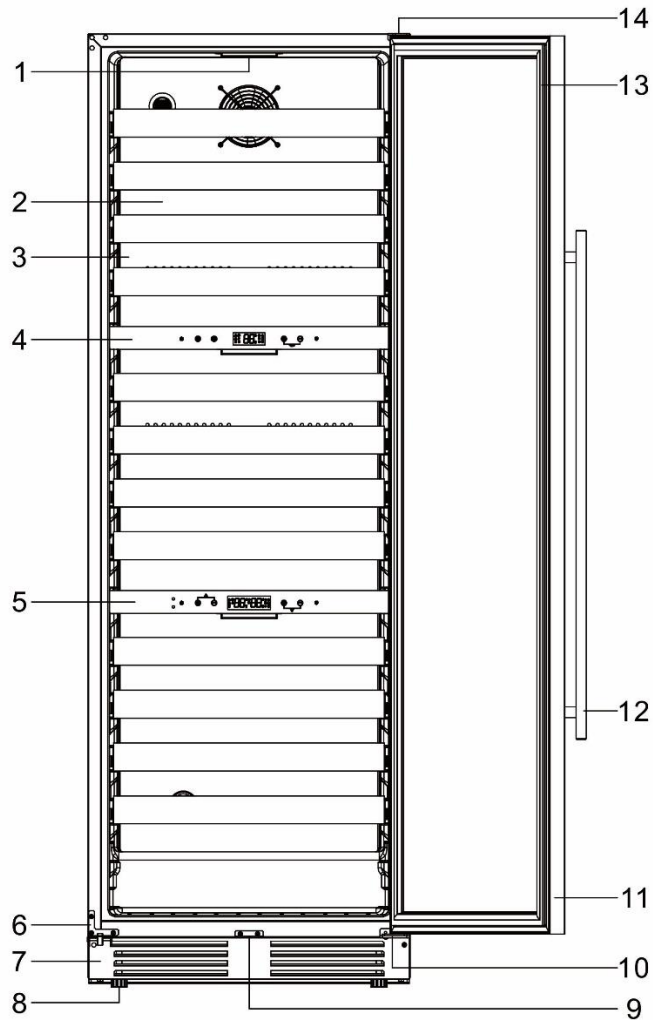
1	<b>Charnière Supérieure Droite</b>
2	<b>Plaque de Canal d'Air</b>
3	<b>Panneau de Configuration</b>
4	<b>Porte</b>
5	<b>Joint de Porte</b>
6	<b>Poignée de Porte</b>
7	<b>Étagère en Bois</b>
8	<b>Filtres à Charbon</b>
9	<b>Plaque de Ventilation</b>
10	<b>Charnière Inférieure Droite</b>
11	<b>Pieds Réglables</b>

**SWCP2116/ LWC2Z97  
SWCP2163/ LWC2Z195**



1	<b>Charnière Supérieure Droite</b>
2	<b>Tablette Métallique Avec Bord Avant S.S.</b>
3	<b>Porte</b>
4	<b>Joint de Porte</b>
5	<b>Poignée de Porte</b>
6	<b>Plaque de Canal d'Air</b>
7	<b>Panneau de Configuration</b>
8	<b>Lumière Latérale</b>
9	<b>Glissière Roulante</b>
10	<b>Filtres à Charbon</b>
11	<b>Plaque de Ventilation</b>
12	<b>Charnière Inférieure Droite</b>
13	<b>Pieds Réglables</b>

## SWCP1988T/LWC3Z98



1	Lumière LED
2	Tablette métallique avec bord avant S.S.
3	Plaque de canal d'air
4	Séparateur de zone supérieure
5	Séparateur de zone inférieure
6	Support de porte
7	Plaque de protection d'évent
8	Pieds réglables
9	Fermer à clé
10	Charnière inférieure droite
11	Porte
12	Poignée S.S.
13	Joint de porte
14	Charnière supérieure droite

# INSTRUCTIONS D'INSTALLATION

## Avant d'utiliser votre appareil

Retirez l'emballage extérieur et intérieur et vérifiez que vous disposez des pièces suivantes:

<b>SWC1127B &amp; SWC1926B &amp; SWC1966B (LWC1Z96 &amp; LWC1Z193 &amp; LWC2Z194)</b>	<b>SWCP2116 &amp; SWCP2163 &amp; SWCP1988T (LWC2Z97 &amp; LWC2Z195 &amp; LWC3Z98)</b>
Manuel d'instructions	Manuel d'instructions
Étagères en Bois	Tablettes Grillagées Avec Glissières Roulantes
Poignées de Porte	Poignées de Porte

- Avant de connecter cet appareil à la source d'alimentation, laissez-le debout pendant environ 2 heures. Cela réduira la possibilité d'un dysfonctionnement du système de refroidissement lors de la manipulation pendant le transport.
- Nettoyez la surface intérieure à l'eau tiède à l'aide d'un chiffon doux.
- L'appareil est spécialement conçu pour le stockage du vin; veuillez à ne pas mettre d'autres produits ou les aliments.

## Installation de votre Appareil

- Cet appareil est conçu pour une installation autonome ou encastrée (entièrement encastrée).
- Placez votre appareil sur un sol suffisamment solide pour le supporter lorsqu'il est complètement chargé. Pour mettre votre appareil à niveau, ajustez les pieds de mise à niveau avant en bas de l'appareil.
- Placez l'appareil à l'abri de la lumière directe du soleil et des sources de chaleur (cuisinière, chauffage, radiateur, etc.). La lumière directe du soleil peut affecter le revêtement acrylique et les sources de chaleur peuvent augmenter la consommation électrique. Des températures ambiantes extrêmement froides peuvent également empêcher l'appareil de fonctionner correctement.
- Évitez de placer l'appareil dans des zones humides.
- Branchez l'appareil dans une prise murale exclusive, correctement installée et mise à la terre. Ne coupez ni ne retirez en aucun cas la troisième broche (mise à la terre) du cordon d'alimentation. Toutes les questions concernant l'alimentation et / ou la mise à la terre doivent être adressées à un électricien certifié ou à un centre de service agréé par Felix Storch, Inc.

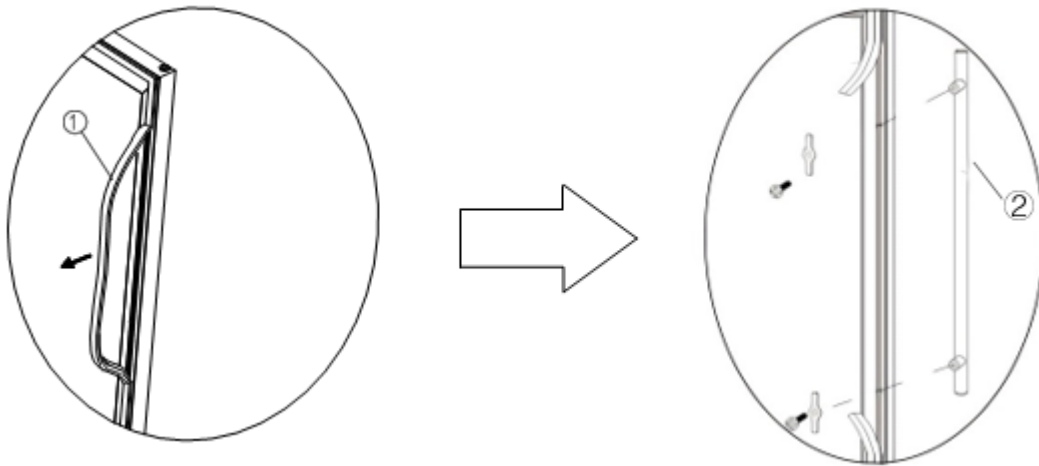
## Installation du Poignée de la Porte

Cette glacière comprend une poignée en acier inoxydable qui n'est pas installée par l'usine.

REMARQUE: La poignée de porte est emballée à l'intérieur, entre la mousse intérieure et la boîte extérieure. Ne jetez pas l'emballage avant d'avoir retiré la poignée.

Pour installer la poignée, veuillez suivre ces instructions:

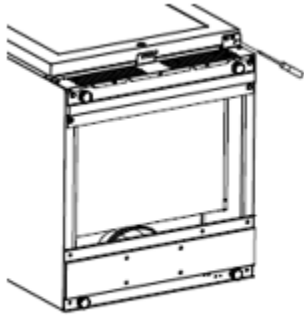
4. Retirez le joint de porte (1) dans la zone où la poignée doit être installée, comme indiqué dans la première illustration ci-dessous. Le joint se déplace facilement à la main, aucun outil n'est nécessaire.
5. Alignez la poignée (2) avec les vis préinstallées à l'arrière de la porte. Serrez les vis à l'aide d'un tournevis cruciforme jusqu'à ce que la poignée soit à la fois affleurante et solidement fixée contre le cadre de la porte. (NE PAS trop serrer car cela endommagerait la poignée).
6. Remettez le joint de porte dans sa position d'origine.



## Porte Battante Inversante

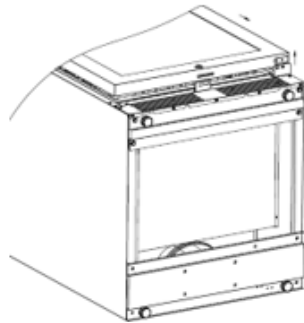
Le diagramme ci-dessous vous expliquera comment inverser l'ouverture de la porte de votre refroidisseur de boissons. Faites attention à la numérotation des étapes ci-dessous (! Avant de renverser la porte, assurez-vous de débrancher l'appareil et de le laisser debout pendant environ 2 heures avant de le connecter à la source d'alimentation.)

1.



Gardez la porte déverrouillée, retirez les vis et la charnière inférieure de la porte.

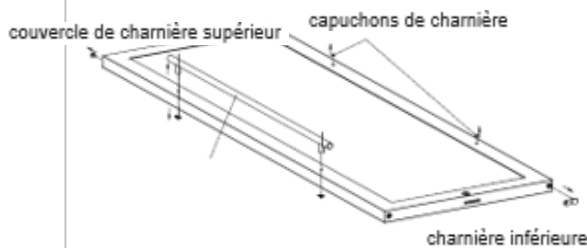
2.



Tenez fermement et mettez la porte vers le haut avec précaution.

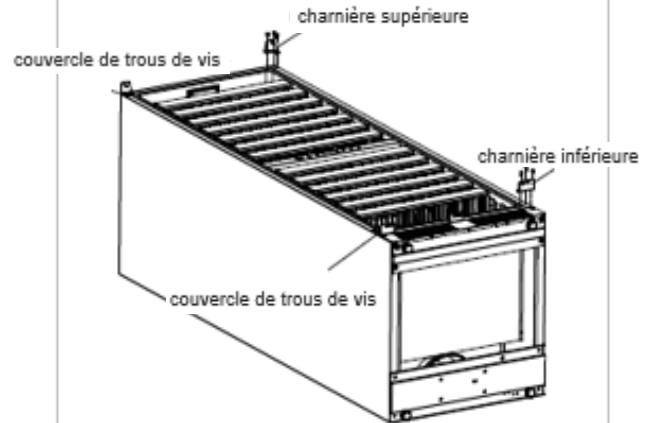
y.

3.



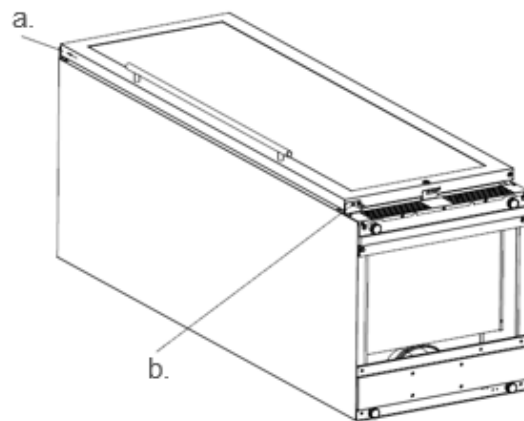
Retirez les capuchons du poignée caché, la charnière inférieure droite, le couvercle de charnière supérieure du poignée gauche et placez-les du côté opposé (de gauche à droite ou de droite à gauche).

4.



Retirez la charnière supérieure du côté supérieur droit de l'armoire. Retirez la charnière inférieure du côté inférieur droit de l'armoire, retirez le couvercle des trous de vis des côtés supérieur et inférieur gauche de l'armoire. Assemblez la charnière supérieure gauche et la charnière inférieure gauche du côté gauche de l'armoire.

5.



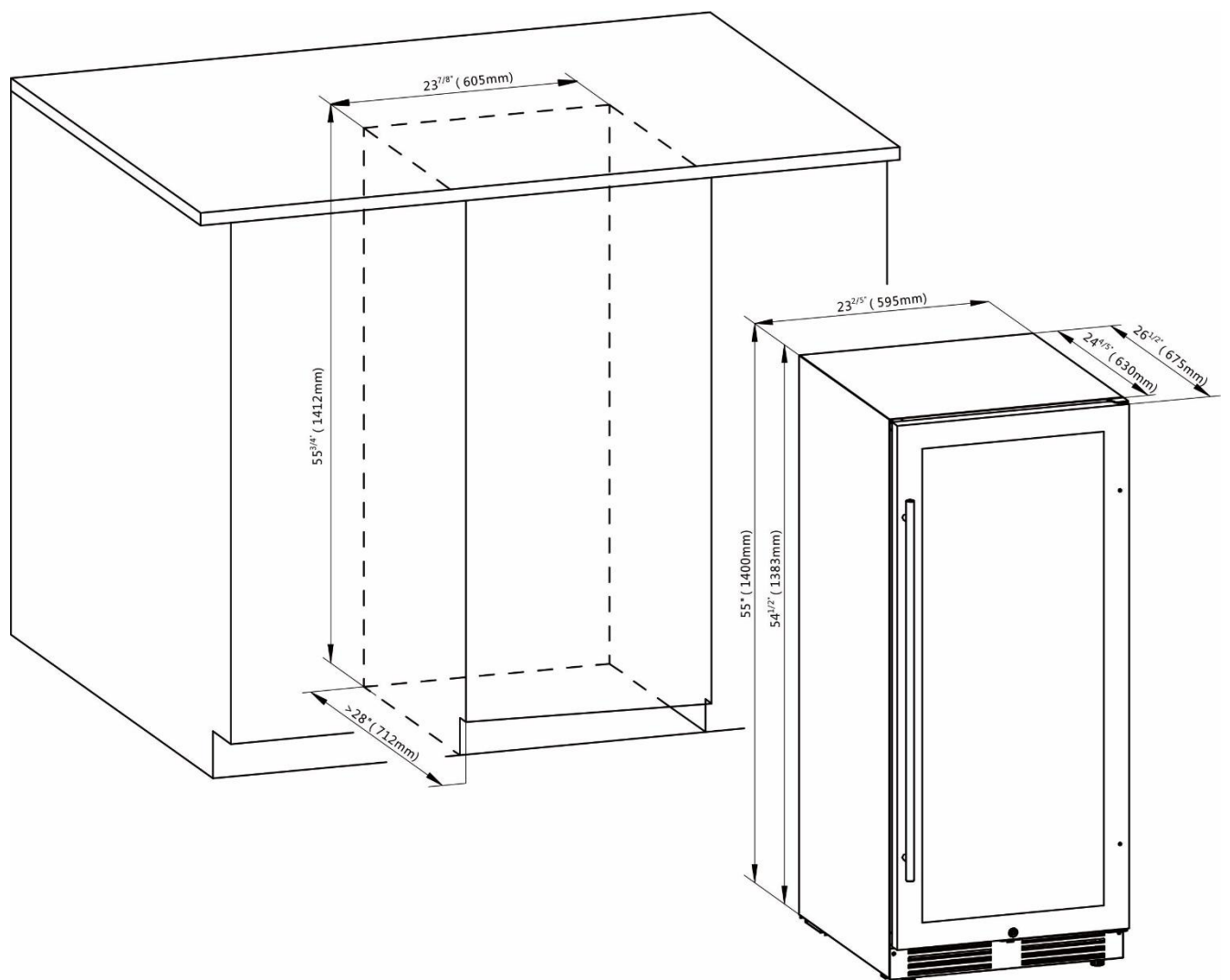
a. Pour aligner la porte avec l'axe de la charnière et installer la porte.  
b. Pour serrer les vis.

## Instructions pour Armoire Intégrée

Cette unité est conçue pour une installation intégrée et indépendante. Si vous prévoyez d'utiliser cet appareil dans une application intégrée, veuillez suivre les exigences indiquées ci-dessous. Assurez-vous que le flux d'air sous l'appareil n'est pas bloqué.

### SWC1127B/LWC1Z96 et SWCP2116/LWC2Z97

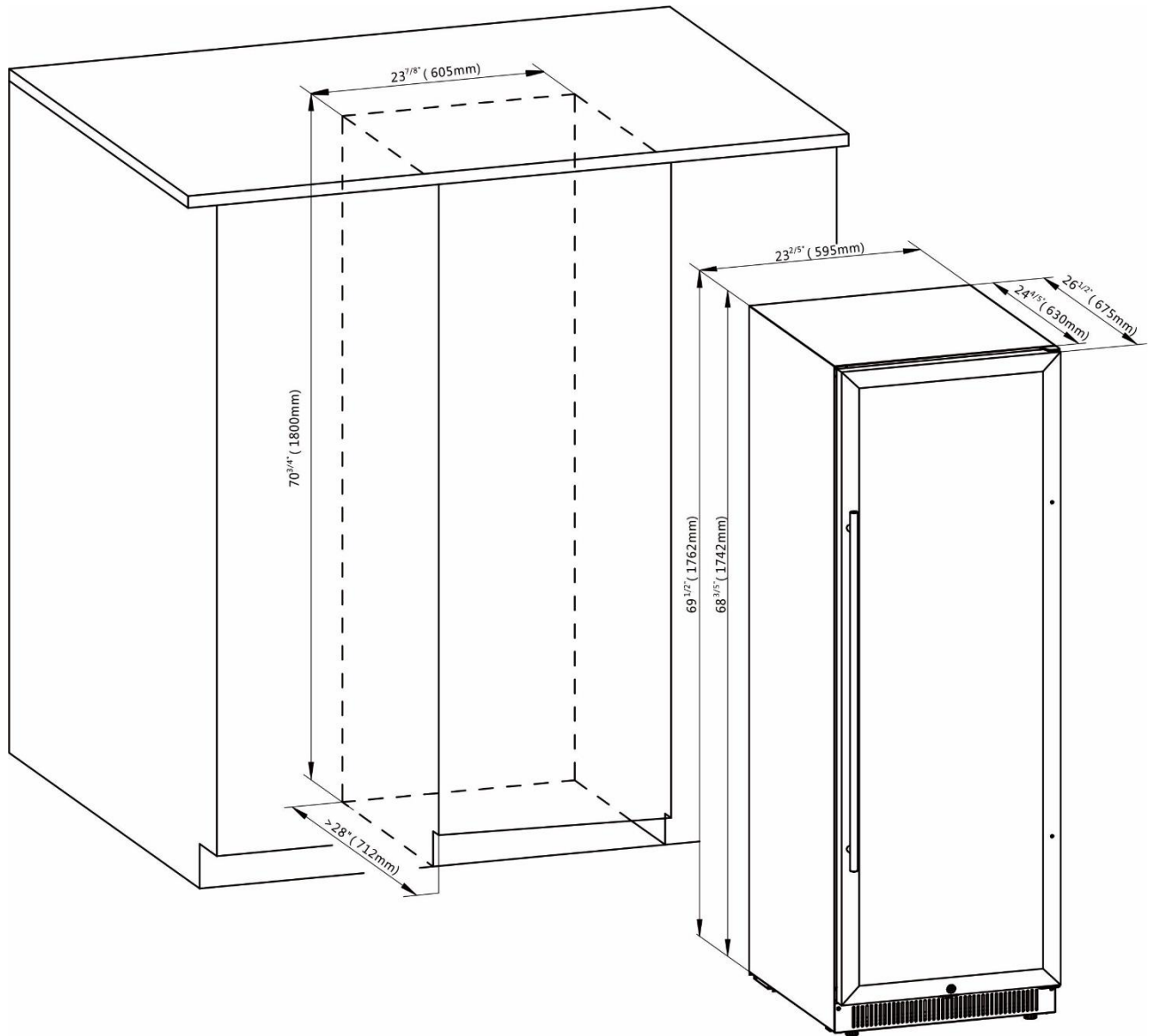
Dimensions d'Ouverture de l'Armoire		
	IN (min)	CM (min)
Largeur	23 7/8"	60.5 cm
Profondeur	28"	71.2 cm
Hauteur	55 3/4"	141.2 cm



**SWC1926B/LWC1Z193, SWC1966B/LWC2Z194, SWCP2163/LWC2Z195, et SWCP1988T/LWC3Z98**

**Dimensions d'Ouverture de l'Armoire**

	IN (min)	CM (min)
Largeur	23 7/8"	60.5 cm
Profondeur	28"	71.2 cm
Hauteur	70 3/4"	180 cm



## Connexion Électrique



Une mauvaise utilisation de la prise mise à la terre peut entraîner un risque de choc électrique. Si le cordon d'alimentation est endommagé, faites-le remplacer par un centre de service agréé par Felix Storch, Inc.

Cet appareil doit être correctement mis à la terre pour votre sécurité. Le cordon d'alimentation de cet appareil est équipé d'une fiche à trois broches qui s'adapte à des prises murales à trois broches standard pour minimiser les risques de choc électrique.

Ne coupez ni ne retirez en aucun cas la troisième broche à la terre du cordon d'alimentation fourni. Pour votre sécurité personnelle, cet appareil doit être correctement mis à la terre.

Cet appareil nécessite une prise murale mise à la terre électrique standard à trois broches de 115/120 volts CA ~ / 60 Hz. Faites vérifier la prise murale et le circuit par un électricien qualifié pour vous assurer que la prise est correctement mise à la terre. Lorsqu'une prise murale standard à 2 broches est rencontrée, il est de votre responsabilité et de votre obligation de la remplacer par une prise murale à 3 broches correctement mise à la terre.

Le cordon doit être attaché derrière l'appareil et ne doit pas être exposé ou suspendu pour éviter les blessures accidentelles.

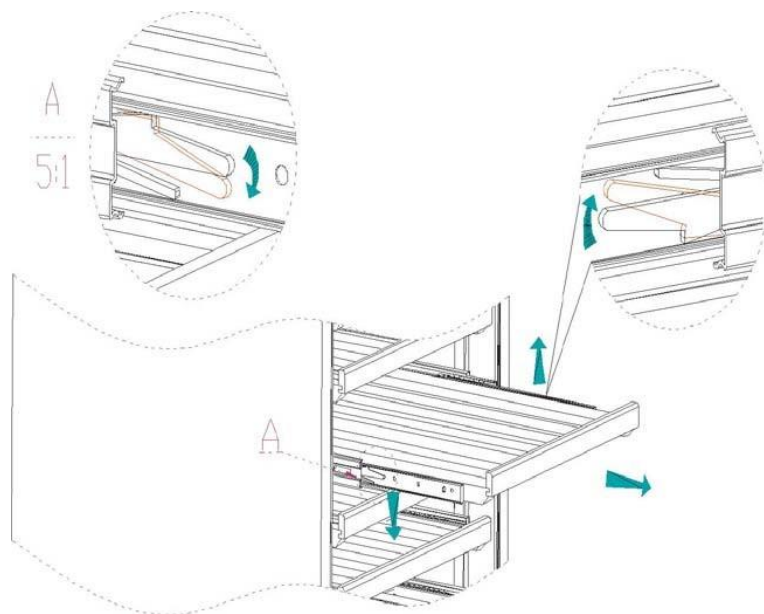
L'appareil doit toujours être branché sur sa propre prise électrique individuelle dont la tension nominale correspond à celle indiquée sur l'appareil. Cela offre les meilleures performances et empêche également la surcharge des circuits de câblage de la maison qui pourraient être un risque d'incendie de surchauffe. Ne débranchez jamais l'appareil en tirant sur le cordon d'alimentation. Saisissez toujours fermement la fiche et tirez-la tout droit hors de la prise. Réparez ou remplacez immédiatement tous les cordons d'alimentation qui sont devenus effilochés ou autrement endommagés. N'utilisez pas de cordon présentant des fissures ou des dommages dus à l'abrasion sur toute sa longueur ou à l'une de ses extrémités. Lorsque vous déplacez l'appareil, veillez à ne pas endommager le cordon d'alimentation.

### Rallonge

En raison des risques potentiels pour la sécurité dans certaines conditions, il est fortement recommandé de ne pas utiliser de rallonge avec cet appareil. Cependant, si vous devez utiliser une rallonge, il est absolument nécessaire que ce soit une rallonge d'appareil de mise à la terre à 3 fils répertoriée UL/CUL ayant une fiche et une prise de mise à la terre et que la puissance électrique du cordon soit de 115 volts et au moins 10 ampères.

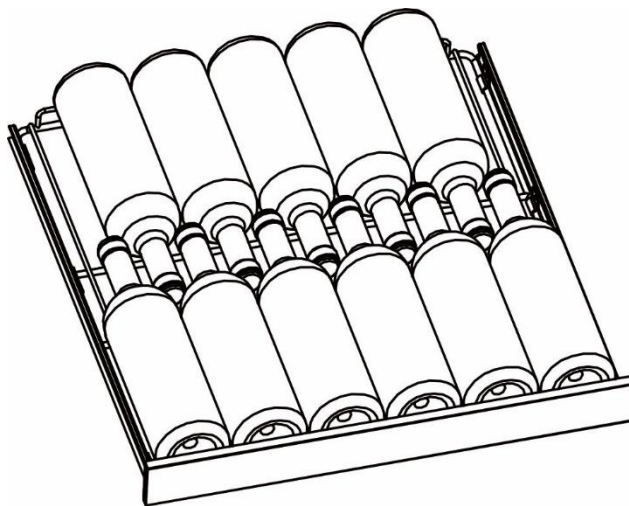
## Réorganiser les Étagères

Ces instructions sont destinées aux modèles SWCP2116/LWC2Z97 et SWCP2163/LWC2Z195.



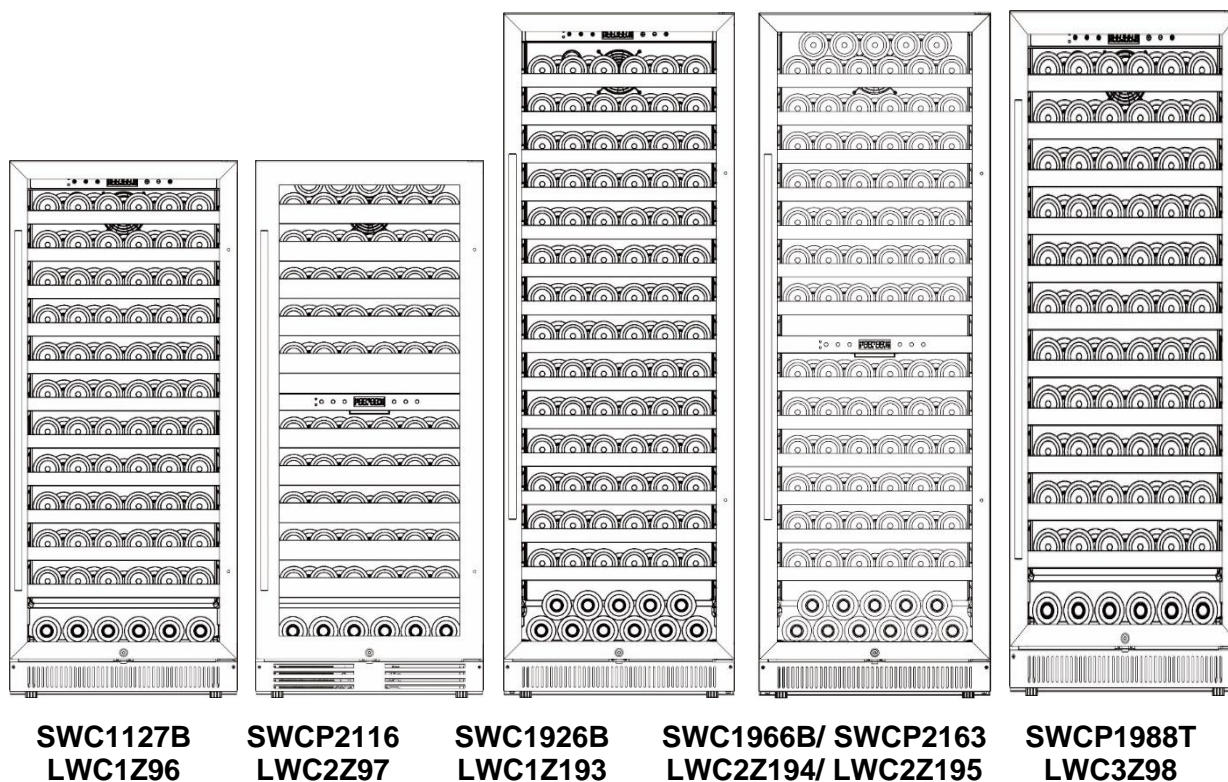
4. Retirez d'abord tous les vins et/ou les boissons de l'étagère.
5. Tirez la tablette jusqu'à sa limite, puis appuyez BAS sur le levier gauche du rail coulissant et appuyez simultanément sur HAUT sur la droite comme illustré à gauche.
6. Tirez l'étagère tout en maintenant les leviers en place.

## Placement et Stockage des Vins



Croquis de chargement de bouteilles pour les grandes étagères

- SWC1127B/LWC1Z96 a été conçu pour stocker au maximum 127 bouteilles de Bordeaux au total.
- SWCP2116/LWC2Z97 a été conçu pour stocker au maximum 116 bouteilles de Bordeaux au total.
- SWC1926B/LWC1Z193 a été conçu pour stocker au maximum 165 bouteilles de Bordeaux au total.
- SWC1966B/LWC2Z194 a été conçu pour stocker au maximum 163 bouteilles de Bordeaux au total.
- SWCP2163/LWC2Z195 a été conçu pour stocker au maximum 163 bouteilles de Bordeaux au total.
- SWCP1988T/LWC3Z98 a été conçu pour stocker au maximum 154 bouteilles de Bordeaux au total.



**NOTEZ :** Les tailles de bouteille, même le style bordelais standard, peuvent varier en taille exacte et en détails entre les différents producteurs de vin et les entreprises d'embouteillage. La capacité globale de votre bouteille peut être légèrement inférieure en fonction de la conception exacte de la bouteille que vous stockez. Pour les bouteilles de style Bourgogne plus larges, visitez notre site Web pour les directives de stockage.

# UTILISATION DE VOTRE APPAREIL

Il est recommandé d'installer l'appareil dans un endroit où la température ambiante se situe entre 61° et 100° F (16° et 38° C). Si la température ambiante est supérieure ou inférieure aux températures recommandées, les performances de l'unité peuvent être affectées. Par exemple, placer votre appareil dans des conditions extrêmement froides ou chaudes peut faire fluctuer les températures intérieures. La gamme de 41°- 65° F (5°-18° C) ne peut pas être atteint.

Variation de Température		
REFROIDISSEUR DE VIN (ZONE UNIQUE)	41 - 65° F	5 - 18° C
REFROIDISSEUR DE VIN (DOUBLE ZONE)	Zone supérieure: 41 - 54° F Zone inférieure: 54 - 65° F	Zone supérieure: 5 - 12° C Zone inférieure: 12 -18° C
REFROIDISSEUR DE VIN (TRIPLE ZONE)	Zone supérieure: 41 - 65° F Zone médiane: 41 - 54° F Zone inférieure: 54 - 65° F	Zone supérieure: 5 - 18° C Zone médiane: 5 - 12° C Zone inférieure: 12 -18° C

## Panneau de Configuration pour SWC1127B/LWC1Z96 et SWC1926B/LWC1Z193



## Panneau de Configuration pour SWCP2116/LWC2Z97, SWC1966B/ LWC2Z194 et SWCP2163/LWC2Z195




## Panneau de Configuration pour SWCP1988T/LWC3Z98

Zone supérieure






Zone inférieure








- Appuyez et maintenez  pendant deux secondes sur le panneau de commande pour allumer ou éteindre la glacière. Lorsque le refroidisseur est éteint, l'appareil cesse de fonctionner et s'arrête totalement.






## Réglage de la Lumière

- Le paramètre d'éclairage par défaut allume automatiquement la lumière lorsque la porte est ouverte et éteint la lumière lorsque la porte est fermée. L'écran LCD affichera  dans le mode par défaut.
- Appuyez et maintenez enfoncé  pendant trois secondes pour garder toujours la lumière allumée. L'écran LCD affichera  dans ce mode.

## Réglage de la Température

- Appuyez sur  ou  pour augmenter ou diminuer la température de 1°F ou 1°C.
- Appuyez sur  pour changer l'affichage de la température de Celsius à Fahrenheit ou de Fahrenheit à Celsius pour les modèles SWC1127B/LWC1Z96 et SWC1926B/LWC1Z193.
- Appuyez simultanément sur les touches  et  puis maintenez-les enfoncées pendant 3 secondes pour changer l'affichage de la température de Celsius à Fahrenheit ou de Fahrenheit à Celsius pour les modèles SWCP2116/LWC2Z97, SWC1966B/LWC2Z194, SWCP2163/LWC2Z195 et SWCP1988T/LWC3Z98

## Système d'Alarme

- L'alarme de porte émet trois bips toutes les cinq secondes et l'écran LCD affiche  lorsque la porte est ouverte pendant plus de 5 minutes. Appuyez sur n'importe quelle touche ou fermez la porte pour arrêter l'alarme.
- Lorsque la température à l'intérieur de l'appareil est **inférieure** à 35,6°F (2°C) pendant plus de 3 heures, l'alarme retentit et l'écran LCD affiche   L. Appuyez sur n'importe quelle touche pour arrêter l'alarme.
- Lorsque la température à l'intérieur de l'appareil **dépasse** 25°C (77°F) pendant plus de 6 heures, l'alarme retentit et l'écran LCD affiche   H. Appuyez sur n'importe quelle touche pour arrêter l'alarme

## **Températures recommandées pour refroidir le vin**

Pour préserver la qualité et le goût de vos vins fins, ils doivent être conservés à la température et aux conditions ambiantes idéales. Les températures idéales de refroidissement du vin sont énumérées ci-dessous:

Vins Rouges	58 - 65 °F	15 - 18 °C
Vins Secs/Blancs	48 - 57 °F	10 - 14 °C
Vins Rosés	49 - 51 °F	9 - 11 °C
Vins Mousseux	40 - 47 °F	5 - 8 °C

# ENTRETIEN ET MAINTENANCE

## Nettoyage de votre Appareil

1. Coupez l'alimentation, débranchez l'appareil et retirez tous les articles, y compris les étagères.
2. Lavez les surfaces intérieures avec une solution d'eau tiède et de bicarbonate de soude. La solution doit être d'environ 2 cuillères à soupe de bicarbonate de soude pour un litre d'eau.
3. Lavez les étagères avec une solution détergente douce.
4. Essorez l'excès d'eau de l'éponge ou du chiffon lors du nettoyage de la zone des commandes ou de toute pièce électrique.
5. Lavez le boîtier extérieur avec de l'eau tiède et un détergent liquide doux. Bien rincer et essuyer avec un chiffon doux et propre.
6. N'utilisez pas de laine d'acier ou de brosse en acier sur l'acier inoxydable. Ceux-ci contamineront l'acier inoxydable avec des particules d'acier et de la rouille peut se produire.

## Système de Filtration au Charbon

Votre cave est équipée d'un système de filtration au charbon actif pour assurer la pureté de l'air, l'efficacité de refroidissement, et pour maintenir une armoire sans odeur pour le stockage de votre vin. Le filtre est situé sur le panneau arrière à l'intérieur de votre refroidisseur. Pour remplacer votre filtre:

1. Retirez les bouteilles/canettes stockées sur les deux étagères devant le filtre.
2. Retirez les étagères et mettez-les de côté pour les remplacer une fois que vous avez changé le filtre.
3. Tenez le filtre et tournez-le à 90 degrés dans le sens antihoraire, puis retirez-le.
4. Retirez le filtre existant et remplacez-le par un nouveau.
5. Placez le nouveau filtre dans le trou, puis tournez-le de 90 degrés dans le sens des aiguilles d'une montre.

## Panne Électrique

La plupart des pannes de courant sont corrigées en quelques heures et ne devraient pas affecter la température de votre appareil si vous minimisez le nombre d'ouverture de la porte. Si l'alimentation va être coupée pendant une longue période, vous devez prendre les mesures appropriées pour protéger votre contenu.

## Déplacement de votre Appareil

- Retirez tous les articles qui sont dans votre appareil.
- Attachez fermement tous les éléments (étagères) à l'intérieur de votre appareil.
- Fermez la porte avec du ruban adhésif.
- Assurez-vous que l'appareil reste bien en position verticale pendant le transport.
- Protégez l'extérieur de l'appareil avec une couverture ou un article similaire.

## Conseils d'Économie d'Énergie

L'appareil doit être situé dans la zone la plus fraîche de la pièce, loin des appareils produisant de la chaleur et à l'abri de la lumière directe du soleil.

# DÉPANNAGE

Vous pouvez facilement résoudre de nombreux problèmes courants, vous épargnant ainsi le coût d'un éventuel appel de service. Essayez les suggestions ci-dessous pour voir si vous pouvez résoudre le problème avant d'appeler le technicien de service.

<b>Problem</b>	<b>Causes Possibles</b>
L'appareil ne fonctionne pas.	<ul style="list-style-type: none"> <li>• L'appareil n'est pas branché.</li> <li>• L'appareil n'est pas allumé.</li> <li>• La tension de l'installation n'est pas correcte.</li> <li>• Le disjoncteur ou le fusible a peut-être sauté.</li> </ul>
L'appareil n'est pas assez froid.	<ul style="list-style-type: none"> <li>• Vérifiez le réglage du contrôle de la température.</li> <li>• Vérifiez si la température ambiante dépasse la température de fonctionnement de l'appareil.</li> <li>• La porte est ouverte trop fréquemment.</li> <li>• La porte n'est pas fermée correctement.</li> <li>• La porte ne se ferme pas correctement.</li> <li>• Espace libre insuffisant autour de l'appareil.</li> </ul>
Le compresseur démarre et s'arrête fréquemment.	<ul style="list-style-type: none"> <li>• La température extérieure est élevée.</li> <li>• Une grande quantité de bouteilles a été mise en cave.</li> <li>• L'appareil est ouvert trop fréquemment.</li> <li>• La porte n'est pas correctement fermée.</li> <li>• L'appareil n'est pas correctement réglé.</li> </ul>
Les lumières LED ne fonctionnent pas.	<ul style="list-style-type: none"> <li>• L'appareil n'est pas branché.</li> <li>• Le fusible a sauté.</li> <li>• Les lumières LED sont cassées.</li> <li>• L'interrupteur d'éclairage est éteint.</li> </ul>
Les vibrations	<ul style="list-style-type: none"> <li>• Vérifiez et assurez-vous que l'appareil est nivelé.</li> </ul>
L'appareil fait trop de bruit.	<ul style="list-style-type: none"> <li>• Le bruit de cliquetis peut provenir du flux de réfrigérant, ce qui est normal.</li> <li>• On peut entendre de l'eau circuler à la fin d'un cycle de refroidissement.</li> <li>• L'expansion et la contraction des parois internes peuvent provoquer un craquement.</li> <li>• L'appareil n'est pas nivelé.</li> <li>• Vérifiez si le ventilateur est en bon état.</li> </ul>
La porte ne se ferme pas correctement.	<ul style="list-style-type: none"> <li>• L'appareil n'est pas nivelé.</li> <li>• Le joint de porte est sale ou endommagé.</li> <li>• Les étagères ne sont pas positionnées correctement.</li> <li>• Une partie du contenu empêche la fermeture de la porte</li> </ul>

# GARANTIE LIMITÉE

## GARANTIE LIMITÉE D'UN AN

Dans les 48 États contigus des États-Unis, pendant un an à compter de la date d'achat, lorsque cet appareil est utilisé et entretenu conformément aux instructions jointes ou fournies avec le produit, le garant paiera les pièces spécifiées en usine et réparera la main-d'œuvre pour corriger les défauts de matériaux ou d'exécution. Le service doit être fourni par une entreprise de service désignée. En dehors des 48 États, toutes les pièces sont garanties un an contre les défauts de fabrication. Les pièces, les étagères et les armoires en plastique sont garantis pour être fabriqués selon des normes acceptables dans le commerce et ne sont pas couverts contre les dommages pendant la manipulation ou la casse.

## GARANTIE COMPRESSEUR DE 5 ANS

3. Le compresseur est couvert pendant 5 ans.
4. Le remplacement n'inclut pas la main-d'œuvre.

### **LE GARANTIE DES ARTICLES NE PAYERA PAS:**

7. Appels de service pour corriger l'installation de votre appareil, pour vous expliquer comment utiliser votre appareil, pour remplacer ou réparer des fusibles ou pour corriger le câblage ou la plomberie.
8. Appels de service pour réparer ou remplacer les ampoules des appareils ménagers ou les étagères cassées. Les pièces consommables (comme les filtres) sont exclues de la couverture de la garantie.
9. Les dommages résultant d'un accident, d'une altération, d'une mauvaise utilisation, d'un abus, d'un incendie, d'une inondation, d'une catastrophe naturelle, d'une mauvaise installation, d'une installation non conforme aux codes électriques ou de plomberie, ou de l'utilisation de produits non approuvés par le garant.
10. Pièces de rechange ou frais de main-d'œuvre de réparation pour les unités exploitées en dehors des États-Unis.
11. Réparations de pièces ou de systèmes résultant de modifications non autorisées apportées à l'appareil.
12. Le retrait et la réinstallation de votre appareil s'il est installé dans un endroit inaccessible ou n'est pas installé conformément aux instructions d'installation publiées.

## EXCLUSION DE GARANTIES IMPLICITES: LIMITATION DES RECOURS

LE SEUL RECOURS EXCLUSIF DU CLIENT EN VERTU DE CETTE GARANTIE LIMITÉE SERA LA RÉPARATION DU PRODUIT COMME PRÉVU DANS LES PRÉSENTES. LES GARANTIES IMPLICITES, Y COMPRIS LES GARANTIES DE QUALITÉ MARCHANDE OU D'ADÉQUATION À UN USAGE PARTICULIER, SONT LIMITÉES À UN AN. LE GARANT NE SERA PAS RESPONSABLE DES DOMMAGES ACCESSOIRES OU INDIRECTS. CERTAINS ÉTATS NE PERMETTENT PAS L'EXCLUSION OU LA LIMITATION DES DOMMAGES ACCESSOIRES OU CONSÉCUTIFS, OU LES LIMITATIONS DE LA DURÉE DES GARANTIES IMPLICITES DE QUALITÉ MARCHANDE OU D'ADÉQUATION À LA CONDITION, IL EST POSSIBLE QUE CES EXCLUSIONS OU LIMITATIONS NE S'APPLIQUENT PAS À VOUS. CETTE GARANTIE VOUS DONNE DES DROITS JURIDIQUES SPÉCIFIQUES ET VOUS POUVEZ ÉGALEMENT AVOIR D'AUTRES DROITS, QUI VARIENT D'UN ÉTAT À L'AUTRE.



**AVERTISSEMENT:** Ce produit peut vous exposer à des produits chimiques, notamment le nickel (métallique), reconnu par l'État de Californie pour provoquer le cancer.

Pour plus d'informations, allez à [www.P65Warnings.ca.gov](http://www.P65Warnings.ca.gov)

Remarque: Le nickel est un composant de tous les acier inoxydable et de certains autres composants métalliques.

**Summit Division de Felix Storch, Inc.**  
Une compagnie enregistrée ISO  
9001:2015  
770 Garrison Avenue  
Bronx, NY 10474

# SUMMIT

Pour commander des pièces et des accessoires,  
résoudre des problèmes et obtenir des conseils utiles,  
visitez: [www.summitappliance.com/support](http://www.summitappliance.com/support)