

PYLE



Visit Our Website



SCAN ME

PyleUSA.com

User Manual

Bookshelf Speaker

PBKSP25NC - PBKSP25BK



Get Into It!

**READ ALL INSTRUCTIONS CAREFULLY BEFORE USING THIS PRODUCT.
RETAIN THIS OWNER'S MANUAL FOR FUTURE REFERENCE.**

Features:

- Powerful 80W Output
- Hi-Fi Stereo Sound
- Premium Natural Wood Cabinet
- Rear Bass Reflex Port
- Multiple Input Options
- Wireless Streaming with Bluetooth 5.3
- Independent Volume, Treble and Bass Control
- Durable Rubber Woofer Surrounds
- Silk Dome Tweeter for Clear, Realistic Highs
- Detachable Grill
- Subwoofer Out for Connection of Extra Active Subwoofer
- Optical Input
- DSP Digital Circuit
- Classic Wooden Cabinet
- Ideal for Home Audio, Desktop, or Studio Use

Bluetooth Connectivity:

- Built-in Bluetooth for Wireless Streaming
- Works with All of Your Favorite Devices (Smartphone, Tablet, Laptop, Computer, etc.)
- Bluetooth Wireless Range: 40+ Feet
- Bluetooth Version: 5.3

What's in the Box:

- (1) Active Speaker
- (1) Passive Speaker
- US Power Adapter
- Remote Control
- 3.5mm to 2RCA Cable
- R/L Speaker Connection Cable

California Prop 65 Warning

 **WARNING:**

This product may expose you to chemicals, which is known to the state of California to cause cancer, birth defects and other reproductive harm. Do not ingest.

For more info go to: www.P65warnings.ca.gov

Technical Specs:

- Construction Material: MDF + ABS + Fabric Mesh
- MAX Power: 100W
- RMS Power: 80W
- Woofer: 4 Inch
- Tweeter: 1.25 Inch
- Crossover Slope: 12dB
- Sensitivity: 80dB
- Impedance: Tweeter 8Ω, Woofer 4Ω
- Item Weight: 10.8 lbs.
- Product Dimensions (L x W x H): 7.95 x 6.18 x 9.92 Inches

FCC INFORMATION

WARNING: Changes or modifications not expressly approved by the party responsible for compliance could void the user's authority to operate the equipment.

NOTE: This equipment has been tested and found to comply with the limits for a Class B digital device, pursuant to Part 15 of the FCC Rules. These limits are designed to provide reasonable protection against harmful interference in a residential installation. This unit generates, uses, and can radiate radio frequency energy, and if not installed and used in accordance with the instructions, may cause harmful interference to radio communications. However, there is no guarantee that interference will not occur in a particular installation. If this equipment does cause harmful interference to radio or television reception, which can be determined by turning the equipment off and on, the user is encouraged to try and correct the interference by one or more of the following measures:

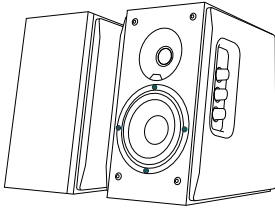
- Reorient or relocate the receiving antenna.
- Increase the separation between the equipment and receiver.
- Connect the equipment to an outlet on a circuit different from that to which the receiver is connected.
- Consult the dealer or an experienced radio/TV technician for help.

This device complies with Part 15 of the FCC Rules. Operation is subject to the following two conditions:

1. This device may not cause harmful interference.
2. This device must accept any interference received, including interference that may cause undesired operation.

Please note: PYLEUSA reserves the right to make production changes during the life of its product lines that may affect the information in this manual.

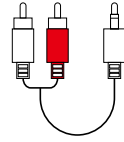
Box Contents



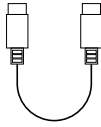
Bookshelf Speaker



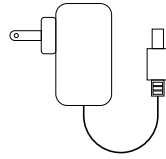
Remote Control



Stereo RCA to 3.5mm audio cable

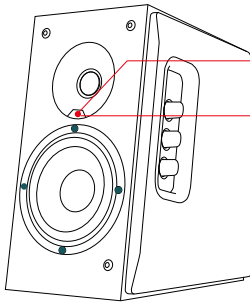


Speaker Connection Cable



Power Adapter

LED Indicators and Button Overview



Infrared receiver

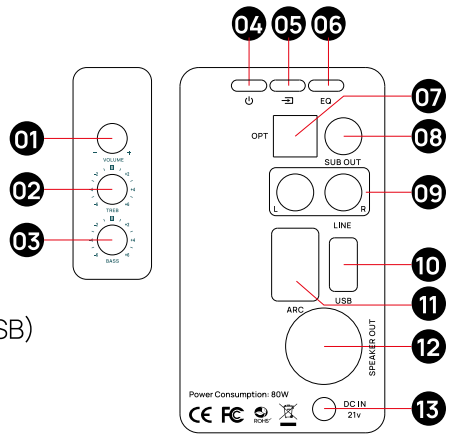
LED Indicators

Active Speaker

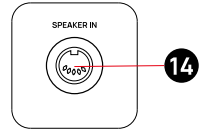
Mode	LED Color
Standby	Red
Bluetooth	Blue
Optical	White
LINE	Yellow
ARC	Light Blue
USB	Purple

Controls

- 01. Volume Control
- 02. Treble Control
- 03. Bass Control
- 04. Power Switch
- 05. Input Selection
(press in to navigate between audio sources: Bluetooth/Optical/LINE/ARC/USB)
- 06. DSP Digital Equalizer
(press to navigate between modes: Music/Dialogue/Movie)
- 07. Optical Input Port
- 08. Bass Output
- 09. LINE Input Port
- 10. USB Upgrade Port
- 11. ARC Input Port
- 12. Left Speaker Audio Output
- 13. Power Port
- 14. Left Speaker Audio In



Active Speaker



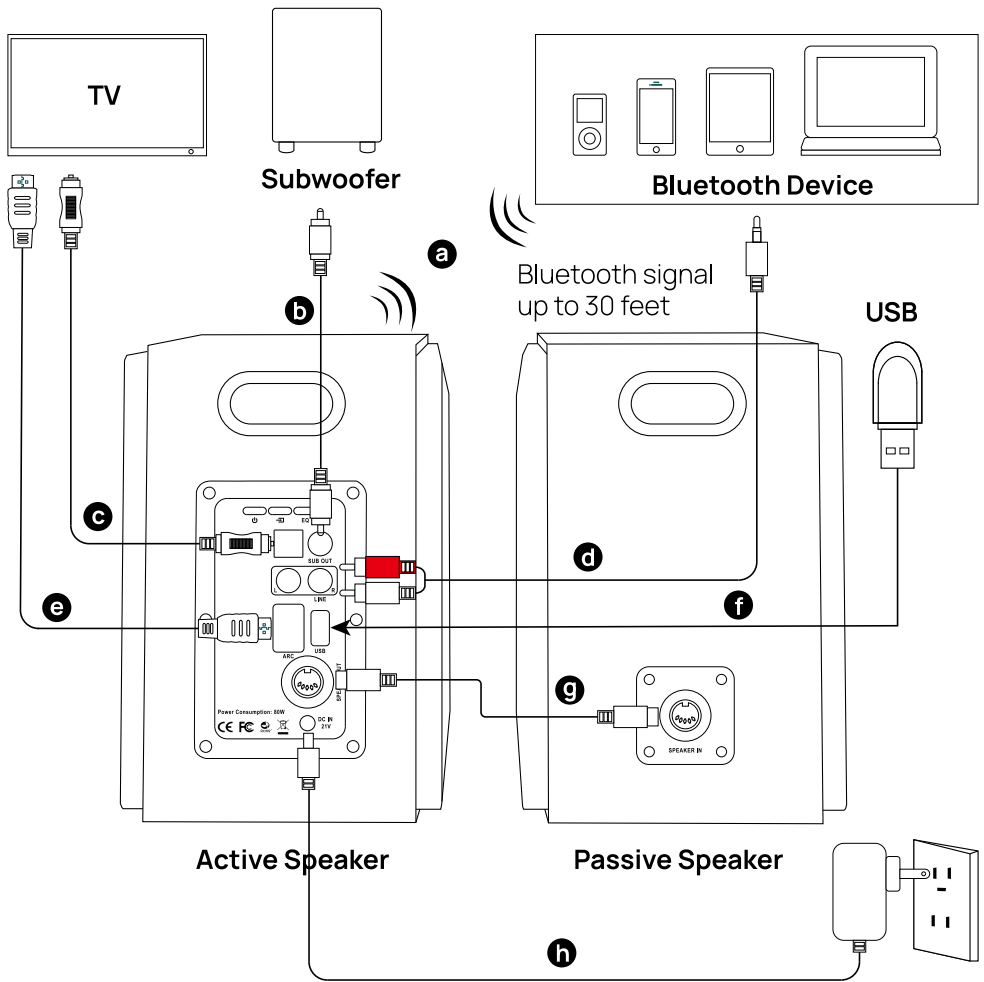
Passive Speaker

Know Your Remote:



	Power button		Mute/Unmute
	Volume up		Volume down
	Previous track		Next track
	Play/pause		Bluetooth mode
	Line mode		Mode switching
	USB mode		Restore the default sound
	Movie mode		Music mode
	Dialogue mode		

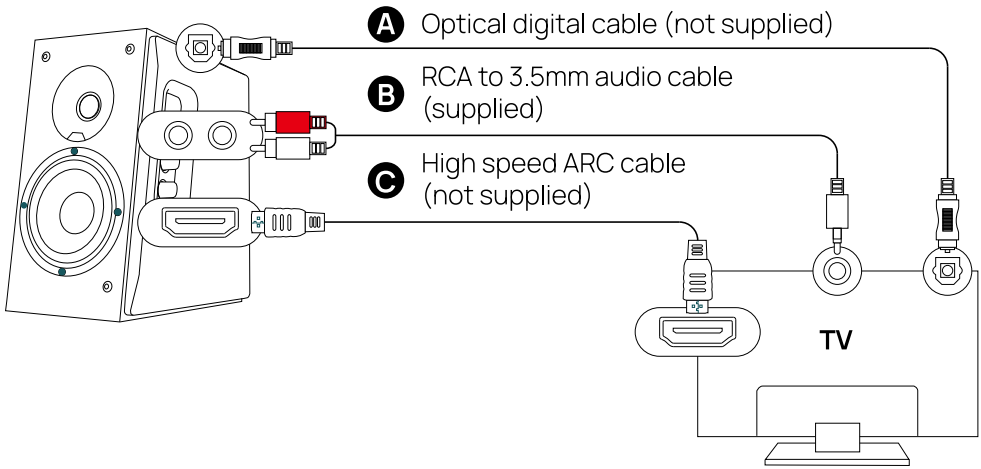
CONNECTION NOTES



- a. Bluetooth
- b. Audio Cable (not supplied)
- c. Digital Optical Cable (not supplied)
- d. High-Speed ARC Cable (not supplied)
- e. Stereo RCA to 3.5mm Audio Cable (supplied)
- f. USB (not supplied)
- g. RCA to RCA Audio Cable (supplied)
- h. Power Adapter (supplied)

Connecting with a TV

Active Speaker



A. Method 1: Optical Cable

Connect using an Optical cable. Select Optical mode and set the TV's audio output to "PCM." (See PCM instructions below.)

B. Method 2: RCA to 3.5mm Audio Cable

Connect using a RCA to 3.5mm audio cable. Select LINE mode.

C. Method 3: ARC Cable

Connect using an ARC cable. Select ARC mode and set the TV's audio output to "PCM." (See PCM instructions below.)

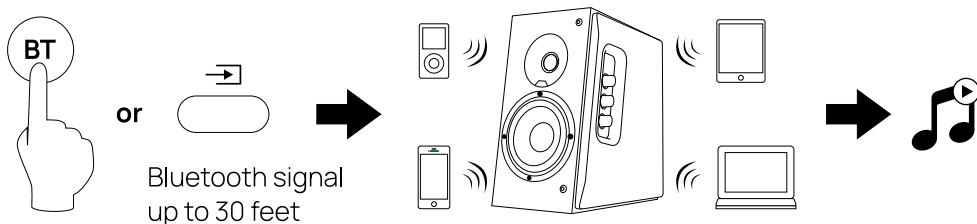
Setting "PCM" on Your TV

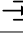
If all cables are connected properly and the LED indicator lights correctly, but there is no sound from the TV or speaker, set your TV as follows:

1. Press "Menu" on the TV's remote control.
2. Use the arrow keys on the remote to scroll to "Audio Settings."
3. Press "OK" on the remote control.
4. Scroll to "Advanced Audio" and press "OK." Some televisions may not have an "Advanced Audio" menu and may list various audio settings instead.

5. Scroll to “Audio Output Mode” or “Digital Audio Output Mode” and press “OK.”
6. Scroll until “PCM” is displayed as the current audio output.
7. Press “OK” to save the settings.

Connecting a Bluetooth Device



- a. Press the “BT” button on the remote or press the “” button on the back panel of the active speaker. The LED indicator will blink blue.
- b. Turn on Bluetooth on your device.
- c. Select “PBKSP25NC/PBKSP25BK” and connect. When your Bluetooth device is connected, the LED indicator blinks blue slowly.
- d. Play music files from the connected device through the bookshelf speaker.

Troubleshooting

No Sound

- Check if the power indicator light is on.
- Turn up the volume using either the master volume control or the remote control.
- Ensure the audio cables are firmly connected and the input is set correctly on the speakers.
- Check if there is signal output from the audio source.

Cannot Connect via Bluetooth

- Make sure the speaker is switched to Bluetooth input. In other input modes, Bluetooth cannot be paired or connected. Disconnect from any Bluetooth device by pressing and holding the volume dial in Bluetooth mode, then try again.

- The effective Bluetooth transmission range is 32.8 ft.
Make sure you are operating within range.
- Try another Bluetooth device for connection.

The SR25 Bookshelf Speaker Does Not Turn On

Ensure the power adapter is properly connected and the outlet has power.

Cleaning, Maintenance, and Storage

Cleaning:

Unplug the speakers before cleaning.

Wipe the cabinet and controls with a soft, dry cloth. For stubborn dirt, lightly dampen the cloth with water.

Do not use harsh cleaners, solvents, or abrasive pads.

Maintenance:

Periodically check all cables and connections for wear or damage.

Replace any frayed or damaged cables immediately.

Make sure ventilation openings remain clear of dust.

Storage:

If not using the speakers for an extended period, disconnect all cables and the power adapter. Store the unit in a cool, dry place away from direct sunlight, moisture, and heat sources. Cover with a dust cloth if possible.

Register Product

Thank you for choosing PyleUSA. By registering your product, you ensure that you receive the full benefits of our exclusive warranty and personalized customer support.

Complete the form to access expert support and to keep your PyleUSA purchase in perfect condition.

Start Here



Model Number:

PBKSP25NC

PyleUSA.com/pages/register

PYLE

Get Into It!



Questions? Comments?
We are here to help!
Phone: (1) 718-535-1800
[PyleUSA.com/ContactUs](https://www.pyleusa.com/ContactUs)

Get Into It!