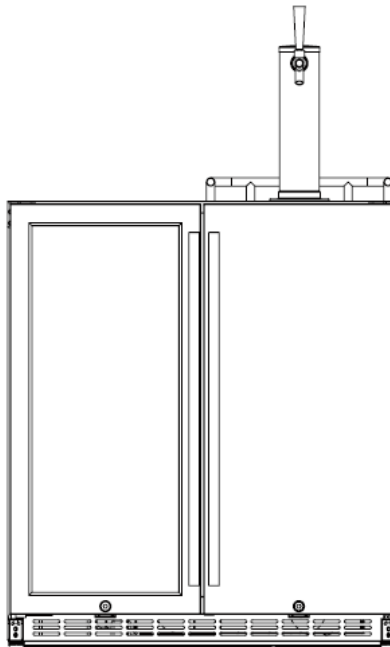




KEGERATOR/WINE CELLAR



Models:
SWBC3041 SWBC3042OS LWBC30

User Manual

BEFORE USE, PLEASE READ AND FOLLOW ALL SAFETY RULES AND OPERATING INSTRUCTIONS.

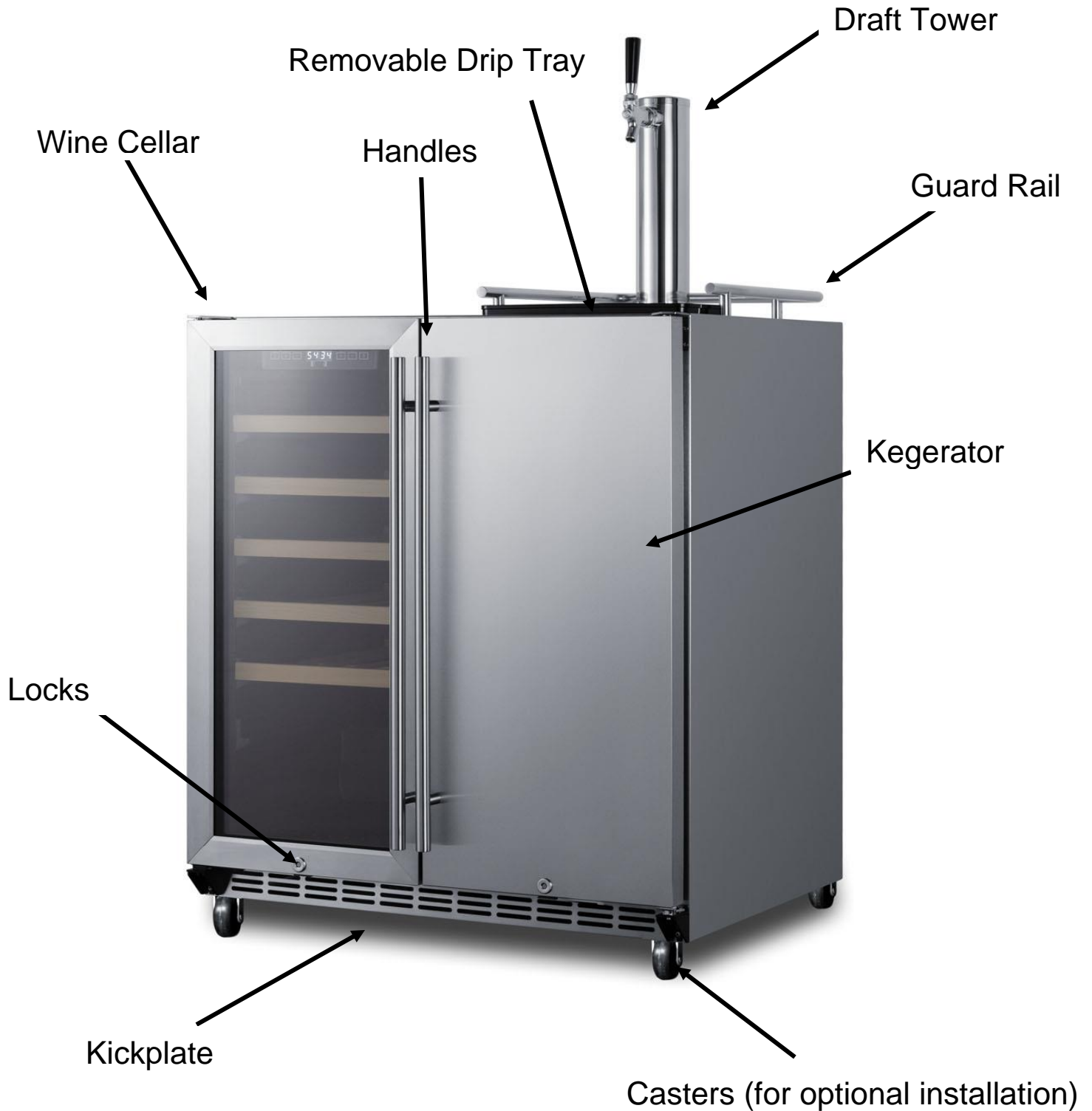
*Write Model and Serial Numbers (on
back of unit) here:*

Felix Storch, Inc.
An ISO 9001:2015 registered company
770 Garrison Avenue
Bronx, NY 10474
www.summitappliance.com

TABLE OF CONTENTS

Location of Parts	3
Appliance Safety	4
Important Safeguards	4-5
Installation Instructions	6
<i>Before Using your Appliance</i>	6
<i>Installation of your Appliance</i>	6
<i>Electrical Connection</i>	6-7
<i>Extension Cord</i>	7
<i>Installing the Stainless Steel Handle</i>	7
<i>Installing the Casters</i>	7
Operating your Appliance	8
<i>Control Panel</i>	8
Setting Up Your Kegerator	9-10
<i>CO₂ Regulator and CO₂ Cylinder</i>	9
<i>Installing the Beer Keg</i>	9
<i>Installing the Tap Handle and Beer Tap</i>	9
<i>Notes</i>	10
Care and Maintenance	11
<i>Cleaning your Appliance</i>	11
<i>Power Failure</i>	11
<i>Vacation Time</i>	11
<i>Moving your Appliance</i>	11
<i>Energy-Saving Tips</i>	11
Troubleshooting	12-13
Limited Warranty	16

LOCATION OF PARTS



APPLIANCE SAFETY

Your safety and the safety of others are very important.

We have provided many important safety messages in this manual and on your appliance. Always read and obey all safety messages.



This is the Safety Alert Symbol. The symbol alerts you to potential hazards that can kill or injure you and others. All safety messages will follow the Safety Alert Symbol and either the words "DANGER" or "WARNING".



DANGER means that failure to heed this safety statement may result in severe personal injury or death.



WARNING means that failure to heed this safety statement may result in extensive product damage, serious personal injury, or death.

All safety messages will alert you about the potential hazard, tell you how to reduce the chance of injury, and let you know what can happen if the instructions are not followed.

IMPORTANT SAFEGUARDS



Before the appliance is used, it must be properly positioned and installed as described in this manual, so read the manual carefully. To reduce the risk of fire, electrical shock or injury when using the appliance, follow basic precautions, including the following:



- Plug into a grounded 3-prong outlet, do not remove grounding prong, do not use an adapter, and do not use an extension cord.
- Replace all panels before operating.
- It is recommended that a separate circuit serving only your appliance be provided. Use receptacles that cannot be turned off by a switch or pull chain.
- Never clean appliance parts with flammable fluids. These fumes can create a fire hazard or explosion. And do not store or use gasoline or other flammable vapors and liquids in the vicinity of this or any other appliance. The fumes can create a fire hazard or explosion.
- Before proceeding with cleaning and maintenance operations, make sure the power line of the unit is disconnected. Failure to do so can result in electrical shock or death.
- Do not connect or disconnect the electric plug when your hands are wet.
- Do not attempt to repair or replace any part of your appliance unless it is specifically recommended in this manual. All other servicing should be referred to a qualified technician.
- This appliance is CFC- and HFC-free and contains small quantities of Isobutane (R600a) which is environmentally friendly, but flammable. It does not damage the ozone layer, nor does it increase the greenhouse effect. Care must be taken during transportation and setting up of the appliance that no parts of the cooling system are damaged. Leaking coolant can ignite and may damage the eyes.
- In the event of any damage:
 - Avoid open flames and anything that creates a spark,
 - Disconnect from the electrical power line,
 - Air the room in which the appliance is located for several minutes, and
 - Contact the Service Department for advice.
- The more coolant there is in an appliance, the larger the room it should be installed in. In the event of a leakage, if the appliance is in a small room, there is the danger of combustible gases building up. For every ounce of coolant at least 325 cubic feet of room space is required. The amount of coolant in

the appliance is stated on the data plate on the back of the appliance. It is hazardous for anyone other than an Authorized Service Person to carry out servicing or repairs to this appliance.

- Take serious care when handling, moving, and using the appliance to avoid either damaging the refrigerant tubing or increasing the risk of a leak.

FOLLOW WARNING CALLOUTS BELOW ONLY WHEN APPLICABLE TO YOUR MODEL

- This unit is intended FOR INDOOR USE ONLY.
- Use two or more people to move and install appliance. Failure to do so can result in back or other injury.
- Choose a well-ventilated area with temperatures above 50°F (10°C) and below 72°F (22°C) This unit must be installed in an area protected from the elements, such as wind, rain, water spray or drips.
- The appliance should not be located next to ovens, grills or other sources of high heat.
- Never place heavy objects or items containing water on top of the unit. Spilled water could deteriorate the insulation of electrical components and result in electrical leakage.
- The appliance must be installed with all electrical, water and drain connections in accordance with state and local codes. A standard electrical supply (115 V AC only, 60 Hz), properly grounded in accordance with the National Electrical Code and local codes and ordinances, is required.
- Do not throw items onto the shelves and do not place items totaling more than 65 lbs. on each shelf. The shelf could fall, possibly causing injury.
- Do not kink or pinch the power supply cord of the appliance.
- The size of the fuse (or circuit breaker) should be 15 amperes.
- It is important that the appliance be leveled in order to work properly. You may need to make several adjustments to level it.
- All installations must be in accordance with local plumbing code requirements.
- Make certain that the pipes are not pinched, kinked or damaged during installation.
- Check for leaks after connection.
- Never allow children to operate, play with or crawl inside the appliance.
- Do not allow anyone to hang from the door or climb onto the unit. The unit could tip over and fall, causing material damage and injury.
- Do not use solvent-based cleaning agents or abrasives on the interior. These cleaners may damage or discolor the interior.
- This appliance is intended for storage and display of beverages for sale. Use this appliance only for its intended purpose.
- Keep fingers out of the “pinch point” areas. Clearances between the doors and between the doors and cabinet are necessarily small. Be careful closing doors when children are in the area.



Risk of child entrapment!

Child entrapment and suffocation are not problems of the past. Junked or abandoned appliances are still dangerous, even if they will “just sit in the garage a few days”.

Before discarding your old refrigerator:

- *Take off the doors*
- *Leave the shelves in place so that children may not easily climb inside.*

- SAVE THESE INSTRUCTIONS -

INSTALLATION INSTRUCTIONS

Before Using your Appliance

- Remove the exterior and interior packing.
- Before connecting the appliance to the power source, let it stand upright for approximately 2 hours. This will reduce the possibility of a malfunction in the cooling system from handling during transportation.
- Clean the interior surface with lukewarm water using a soft cloth.
- Install the handle on the door, if it is not already attached.

Installation of your Appliance

- This appliance is designed for built-in, recessed, or free-standing installation.
- Place your appliance on a floor that is strong enough to support it when it is fully loaded.
- To level the unit, adjust the front leveling legs.
- Take care that the air vent at the front of the appliance is never covered or blocked in any way.

NOTE: It is recommended that you do not install the appliance near an oven, radiator, or other heating source. Heat sources may increase electrical consumption. Don't install in a location where the temperature will fall below 50°F (10°C). For best performance, do not install the appliance behind a cabinet door or block the base grille.

- Avoid locating the unit in moist areas.
- Plug the appliance into an exclusive, properly grounded wall outlet.

Electrical Connection



Improper use of the grounded plug can result in the risk of electrical shock. If the power cord is damaged, have it replaced by a qualified electrician or an authorized service center.

This appliance should be properly grounded for your safety. The power cord of this appliance is equipped with a three-prong plug which mates with standard three-prong wall outlets to minimize the possibility of electrical shock.

Do not under any circumstances cut or remove the third (ground) prong from the power cord supplied. For personal safety, this appliance must be properly grounded.

This appliance requires a standard 115/120 Volt AC ~ 60Hz three-prong grounded electrical outlet. Have the wall outlet and circuit checked by a qualified electrician to make sure the outlet is properly grounded. When a standard 2-prong wall outlet is encountered, it is your responsibility and obligation to have it replaced with a properly grounded 3-prong wall outlet.

To prevent accidental injury, the cord should be secured behind the appliance and not left exposed or dangling.

The appliance should always be plugged into its own individual electrical outlet which has a voltage rating that matches the rating label on the appliance. This provides the best performance and also prevents overloading house wiring circuits that could cause a fire hazard from overheating. Never unplug the appliance by pulling on the power cord. Always grip the plug firmly and pull straight out from the receptacle. Repair or replace immediately all power cords that have become frayed or otherwise damaged. Do not use a cord that shows cracks or abrasion damage along its length or at either end. When moving the appliance, be careful not to damage the power cord.

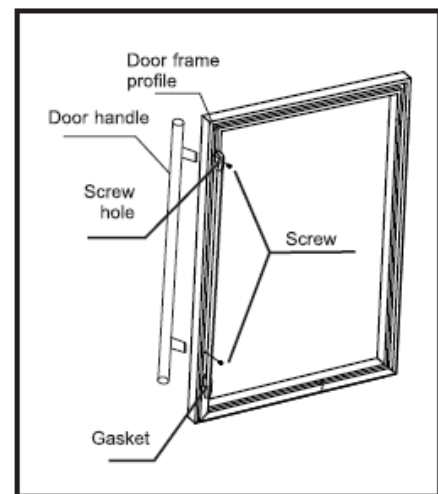
Extension Cord

Because of potential safety hazards under certain conditions, it is strongly recommended that you do not use an extension cord with this appliance. However, if you must use an extension cord, it is absolutely necessary that it be a UL/CUL-Listed, 3-wire grounding type appliance extension cord having a grounding type plug and outlet and that the electrical rating of the cord be 110 volts.

Installing the Stainless Steel Handles

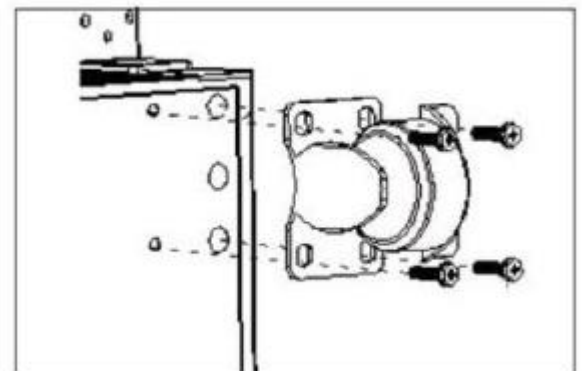
This appliance included two stainless steel handles that are not required to operate the unit. To install each handle, follow the instructions below

1. Remove the gasket from the side of the door on which you will install the handle.
2. Remove the screws from the bag included with your unit. Put the screws into the holes where the handle will be installed.
3. Align the handle with the screws, and tighten the screws using a screwdriver, until the handle is both flush and secured tightly against the door. DO NOT over-tighten, as this may cause damage to the door surface).



Installing the Casters (optional)

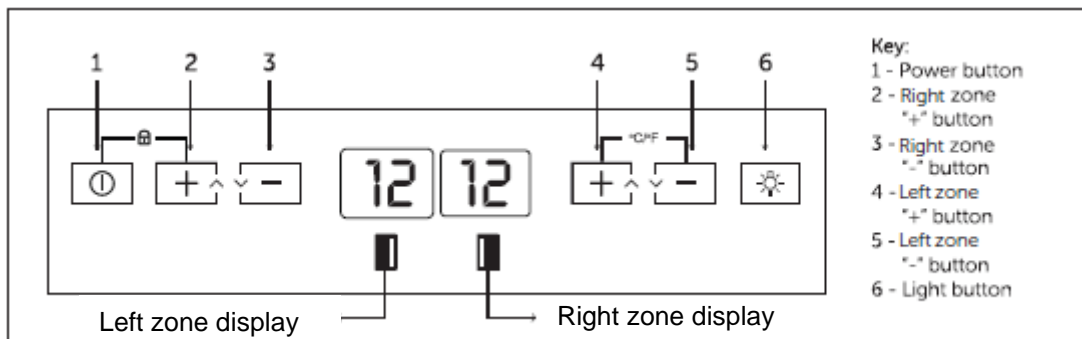
1. Remove everything from the cabinet and lay the unit on a clean, dry, and padded surface
2. Install casters into the holes on the bottom of the unit as shown and tighten with a wrench
3. The two casters equipped with locks should be installed on the front of the unit
4. Once all four casters are attached, return the beer dispenser to an upright position
5. Allow the unit to sit for 8-10 hours before plugging in to allow the refrigerant to settle.



OPERATING YOUR APPLIANCE

It is recommended that you install the appliance in a place where the ambient temperature is between 50°F (10°C) and 72°F (22°C). If the ambient temperature is above or below the recommended temperature, the performance of the unit may be affected. For example, placing the unit in extremely cold or hot conditions may cause interior temperatures to fluctuate. The operating temperature range may not be reached.

Control Panel



On/Off power switch

- Press and hold the power button (1) for 6 seconds to switch the appliance on.
- Press and hold the power button (1) for 6 seconds again to switch the appliance off.

To change the temperature

- Press the + (4) or – (5) buttons for the appropriate zone until the required temperature is shown on the display.
- The preset temperature is 39°F (4°C) for the right zone and 54°F (12°C) for the left zone.
- To change the temperature display from Fahrenheit to Celsius or from Celsius to Fahrenheit, press and hold the + (4) and – (5) buttons at the same time, for 2 seconds.
- The display shows the current internal temperature when the appliance is on.

To use the internal light

- Press the light button (6) to switch the light on or off.
- To turn the light ON when the door opens, press the light button (6) for 6 seconds. The display will show **OP**_, which means the door control function is ON.
- To turn the door control, function OFF, press the light button (6) for 6 seconds. The display will show **CL**, which means the door control function is OFF.

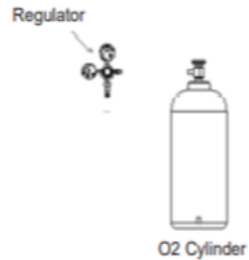
To lock the whole panel

- Press the power button (1) and the + button (4) at the same time for one second. All the buttons on the panel will be locked.
- Press the power button (1) and the + button (4) once again. All the buttons will be unlocked.

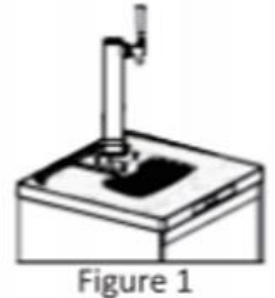
SETTING UP YOUR KEGERATOR

CO₂ Regulator and CO₂ Cylinder

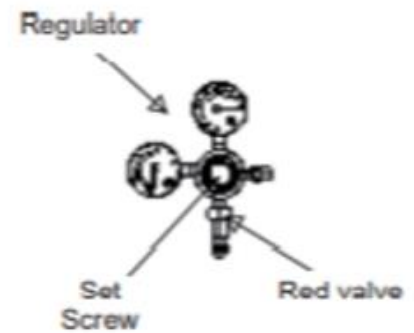
NOTE: The CO₂ cylinder is shipped empty to avoid any possible accidents during transportation. When you purchase the first keg of beer, have your beer distributor fill the CO₂ cylinder. You must read and understand the following procedures for CO₂ cylinders before installation:



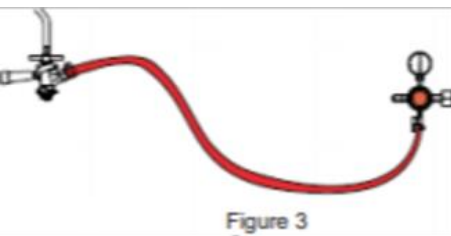
- 1) Put the beer tower directly over the hole at the top of the beer dispenser's upper surface. Fix the beer tower assembly with screws directly on the upper surface of the beer dispenser. (See Figure 1) Screw the tap handle clockwise to make a firm connection. Then connect the tap to the beer tower components and tighten it with a wrench.



- 2) Attach the CO₂ regulator to the CO₂ cylinder by screwing the regulator nut onto the cylinder valve and tightening it with an adjustable wrench (not included)
- 3) Take out the accessories of the keg coupler

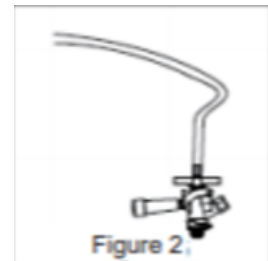


- a. Fix the CO₂ hose clamp on the red CO₂ tube.
- b. Attach the red CO₂ pressure tube to the CO₂ regulator's outlet nipple and connect the other end of the tube to the CO₂ pressure inlet nipple on the keg coupler, secure both ends with a clamp. (Figure 3)



- c. Open the CO₂ valve by turning the knob counterclockwise. Open it all the way to avoid any gas leaks. Then set the CO₂ pressure to 5psi. Tighten the locknut on the pressure adjusting screw to prevent tampering with the settings.

- 4) Place the CO₂ tank and CO₂ regulator into the cabinet and fix the CO₂ tank with the tank bracket and retainer.



Installing the beer keg

- 1) Connect the transparent beer line to the keg coupler and tighten it, the keg coupler's handle should be facing up, indicating that the keg is untapped (Figure 2).
- 2) Place the keg coupler onto the key and lock it into the lugs with a one-quarter clockwise turn.
- 3) Pull the handle out and push down, this will tap the keg.
- 4) Turn the shut-off lever down to allow the gas to flow.



Installing the tap handle and beer tap

Screw the tap handle clockwise into the beer tap and connect the tap to the beer tower components and tighten it with a wrench.

Installing the Upper Cover Guardrail and Drip Tray

Set the upper cover guardrail and drip tray on top of the beer dispenser.

Notes:

- When replacing the beer keg, first turn off the safety switch on the CO₂ regulator valve and remove the mixed ball valve to take out the keg.
- When replacing the CO₂ gas cylinder, remember to turn off the main switch of the CO₂ gas cylinder and the safety switch on the CO₂ regulator valve. Afterward, use a wrench to loosen the hexagonal nut port connecting the CO₂ regulator valve with the CO₂ tank. Then, using a wrench, remove the fixed bolt of the CO₂ tank to take out the CO₂ tank.
- During the installation process, be sure that all parts are connected tightly and that there are no gas leaks.
- When connecting the hose to the connection port, you can dip the ends into warm water to make the connection easier.
- If the high-pressure compressed gas in the CO₂ tank is not handled properly, it could be dangerous:
 - Make a note of the D.O.T. testing date on the cylinder neck before installation. If it is more than 5 years old, don't use the product. Return it to the gas supplier.
 - Keep gas cylinder away from heat sources. Unused cylinders should be placed upright in a cool, ventilated place (preferably at 70°F).

NOTE: TEST FOR CO₂ LEAKS AFTER EACH FITTING, WITH A MIXTURE OF SOAP AND WATER

CARE AND MAINTENANCE

Cleaning your Appliance

- Turn off the power, unplug the appliance, and remove all items, including racks and dividers.
- Wash the inside surfaces with a solution of warm water and baking soda (about 2 tablespoons of baking soda to a quart of water).
- Wash the racks and dividers with a mild detergent solution.
- Wring excess water out of the sponge or cloth when cleaning the area where the controls are located, or any electrical parts.
- Wash the outside cabinet with warm water and mild liquid detergent. Rinse well and wipe dry with a clean soft cloth.
- Use an approved stainless steel cleaner to clean the doors and handles. Do not use steel wool or a steel brush on the stainless steel.

CAUTION: Failure to unplug the appliance before cleaning could result in electrical shock or other personal injuries.

Power Failure

Most power failures are corrected within a few hours and should not affect the temperature of your appliance if you minimize the number of times the door is opened. If your power is going to be off for a longer period of time, you need to take the proper steps to protect your contents.

Vacation Time

- **Short vacations:** Leave the appliance operating during vacations of less than three weeks.
- **Long vacations:** If the appliance will not be used for several months, remove all items and turn off the appliance. Clean and dry the interior thoroughly. To prevent odor and mold growth, leave the drawers open slightly, blocking them open if necessary.

Moving your Appliance

1. Remove all contents.
2. Securely tape down all loose items (shelves) from inside your appliance.
3. Turn the adjustable legs up to the base to avoid damage.
4. Tape the door shut.
5. Be sure the appliance stays secure in the upright position during transportation.

Energy-Saving Tips

- The appliance should be located in the coolest area of the room, away from heat-producing appliances and out of direct sunlight.
- Ensure that the unit is adequately ventilated. Never cover air vents.
- Do not keep the door or drawers open any longer than necessary.
- Let hot or warm items cool to room temperature before placing in the unit. Overloading the unit forces the compressor to run longer.
- Be sure to wrap stored items properly, and wipe containers dry before placing them in the unit. This cuts down on frost build up inside the unit.
- The appliance shelves and storage bins should not be lined with aluminum foil, wax paper, or paper toweling. Liners interfere with cold air circulation, making the unit less efficient.
- Organize and label stored items to reduce door openings and extended searches. Remove as many items as needed at one time, and close the door as soon as possible.

TROUBLESHOOTING

You can solve many common problems easily, saving you the cost of a possible service call. Try the suggestions below to see if you can solve the problem before calling the servicer.

PROBLEM	POSSIBLE CAUSE	REMEDY
Appliance does not operate.	<ul style="list-style-type: none"> • Appliance is not connected to a power supply. • The appliance is turned off. • Tripped circuit breaker or blown fuse 	<ul style="list-style-type: none"> • Connect the appliance. • Switch on the appliance. • Switch on circuit breaker or replace fuse.
Appliance is not cold enough.	<ul style="list-style-type: none"> • The temperature is not set correctly. • The ambient temperature could require a lower temperature setting. • Appliance is opened too often. • A drawer was not closed completely. • Door or drawer is not hermetically sealed. • The condenser is too dirty. • The ventilation opening is blocked or too dusty. 	<ul style="list-style-type: none"> • Check the set temperature. • Set a lower temperature. • Do not open door or drawers more often than necessary. • Close door or drawers properly. • Check the seal and clean or replace. • Clean the condenser when necessary. • Clear the obstructions and wipe off the dust.
Appliance turns itself on and off frequently.	<ul style="list-style-type: none"> • The room temperature is higher than average. • A large amount of food has been added to the unit. • The appliance is opened too often. • A drawer or door is not closed completely. • A gasket does not seal properly. 	<ul style="list-style-type: none"> • Put the appliance in a cooler place. • Leave the appliance to work for a while until the set temperature has been reached. • Do not open the appliance more often than necessary. • Close the door or drawer properly. • Check the all gasket seals and clean or replace it.
The light does not work.	<ul style="list-style-type: none"> • Appliance is not connected to a power supply. • Tripped circuit breaker or a blown fuse. • The light was switched off on the control panel. 	<ul style="list-style-type: none"> • Connect the appliance. • Switch on circuit breaker or replace fuse. • Switch on the light.
Vibrations	<ul style="list-style-type: none"> • The appliance is not properly leveled. 	<ul style="list-style-type: none"> • Level the appliance with the adjustable feet.
The appliance seems to make too much noise.	<p>The rattling noise may come from the flow of the refrigerant, which is normal. As each cycle ends, you may hear gurgling sounds caused by the flow of refrigerant in your appliance. If temperature fluctuations occur, the contraction and expansion of the inner walls may cause popping and crackling noises.</p>	
	<ul style="list-style-type: none"> • The appliance is not properly leveled. 	<ul style="list-style-type: none"> • Level the appliance with the adjustable feet.
The door will not close properly.	<ul style="list-style-type: none"> • The appliance is not properly leveled. • The gaskets are dirty. • The shelves are out of position. 	<ul style="list-style-type: none"> • Level the appliance with the adjustable feet. • Clean the drawer gaskets. • Check the racks and bins and refit correctly.



<p>The alarm sounds and the temperature display flashes.</p>	<p>Has a drawer been open for longer than 60 seconds? If not, then the temperature has risen higher or fallen lower than the temperature that has been set. This could be due to:</p> <ul style="list-style-type: none"> • The appliance drawers being opened too often. • The ventilation opening being covered or too dusty. • A lengthy interruption in the power supply. • A large amount of food has been added to the unit. 	<ul style="list-style-type: none"> • If yes, close the drawer. • Do not open drawers more often than necessary. • Clear the obstructions and wipe off the dust. • Leave the appliance to work for a while until the set temperature has been reached.
--	---	---

If you've checked the table above and find that you still need help with your cooktop, call our Customer Service facility at **1-800-932-4267** between 9:00AM and 5:00PM ET. We will do our best to answer your questions.

CALIFORNIA CARB/SNAP DISCLOSURE

This product uses eco-friendly hydrocarbon refrigerant and fully complies with California CARB regulations.

However, we are required by California Law to provide the following disclosure statement in every product sold in California.

"This equipment is prohibited from use in California with any refrigerants on the 'List of Prohibited Substances' for that specific end-use, in accordance with California Code of Regulations, title 17, section 95374. This disclosure statement has been reviewed and approved by Felix Storch, Inc. and Felix Storch, Inc. attests, under penalty of perjury, that these statements are true and accurate."

This product does **not** use any refrigerants on the 'List of Prohibited Substances'"



NOTES



NOTES



LIMITED WARRANTY

ONE-YEAR LIMITED WARRANTY

Within the 48 contiguous United States, for one year from the date of purchase, when this appliance is operated and maintained according to instructions attached to or furnished with the product, warrantor will pay for factory-specified parts and repair labor to correct defects in materials or workmanship. Service must be provided by a designated service company. Outside the 48 states, all parts are warranted for one year from manufacturing defects. Plastic parts, shelves and cabinets are warranted to be manufactured to commercially acceptable standards, and are not covered for damage during handling or breakage.

5-YEAR COMPRESSOR WARRANTY

1. The compressor is covered for 5 years.
2. Replacement does not include labor.

ITEMS WARRANTOR WILL NOT PAY FOR:

1. Service calls to correct the installation of your appliance, to instruct you how to use your appliance, to replace or repair fuses or to correct wiring or plumbing.
2. Service calls to repair or replace appliance light bulbs or broken shelves. Consumable parts (such as filters) are excluded from warranty coverage.
3. Damage resulting from accident, alteration, misuse, abuse, fire, flood, acts of God, improper installation, installation not in accordance with electrical or plumbing codes, or use of products not approved by warrantor.
4. Replacement parts or repair labor costs for units operated outside the United States.
5. Repairs to parts or systems resulting from unauthorized modifications made to the appliance.
6. The removal and reinstallation of your appliance if it is installed in an inaccessible location or is not installed in accordance with published installation instructions.

DISCLAIMER OF IMPLIED WARRANTIES; LIMITATION OF REMEDIES

CUSTOMER'S SOLE AND EXCLUSIVE REMEDY UNDER THIS LIMITED WARRANTY SHALL BE PRODUCT REPAIR AS PROVIDED HEREIN. IMPLIED WARRANTIES, INCLUDING WARRANTIES OF MERCHANTABILITY OR FITNESS FOR A PARTICULAR PURPOSE, ARE LIMITED TO ONE YEAR. WARRANTOR SHALL NOT BE LIABLE FOR INCIDENTAL OR CONSEQUENTIAL DAMAGES. SOME STATES DO NOT ALLOW THE EXCLUSION OR LIMITATION OF INCIDENTAL OR CONSEQUENTIAL DAMAGES, OR LIMITATIONS ON THE DURATION OF IMPLIED WARRANTIES OF MERCHANTABILITY OR FITNESS, SO THESE EXCLUSIONS OR LIMITATIONS MAY NOT APPLY TO YOU. THIS WARRANTY GIVES YOU SPECIFIC LEGAL RIGHTS AND YOU MAY ALSO HAVE OTHER RIGHTS, WHICH VARY FROM STATE TO STATE.



WARNING: This product can expose you to chemicals including Nickel (Metallic) which is known to the State of California to cause cancer.

For more information go to www.P65Warnings.ca.gov

Note: Nickel is a component in all stainless steel and some other metal components.

Felix Storch, Inc.
An ISO 9001:2015 registered company
770 Garrison Avenue
Bronx, NY 10474
www.summitappliance.com

SUMMIT®

For parts and accessory ordering,
troubleshooting and helpful hints, visit:
www.summitappliance.com/support