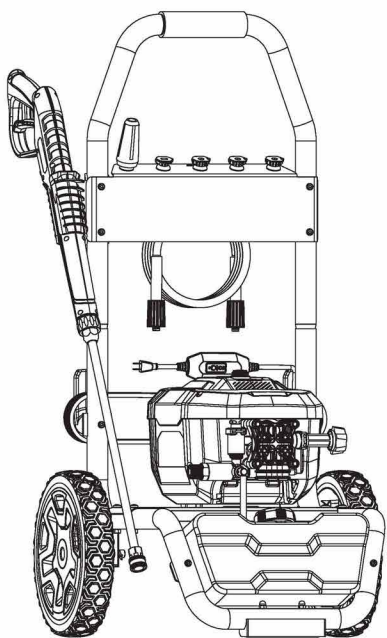




PRESSURE WASHER

USE AND CARE MANUAL



READ THIS MANUAL CAREFULLY BEFORE OPERATION

Failure to follow the instructions and safety precautions in this manual can result in property damage, serious injury and/or death.

If your pressure washer is not working or if there are parts missing or broken, please **DO NOT RETURN IT TO THE PLACE OF PURCHASE**. Contact our Customer Service Department by calling **1-800-381-0999** or emailing **cservice@fna-group.com**

SAVE THIS MANUAL FOR FUTURE REFERENCE

NOTE: Photographs and line drawings used in this manual are for reference only and may not represent your specific model.

Part Number 7128399

Rev A – 12/2025

SAVE THIS MANUAL FOR FUTURE USE

Keep this manual for future reference. This manual should be considered a permanent part of the product and stay with it. This manual should be available to anyone operating the product(s) it covers. This manual should remain with the product(s) it covers if sold to a new owner. If the manual becomes damaged, lost, or otherwise unusable, contact customer support by calling 1-800-381-0999.

Please read this entire manual prior to operating the equipment. It instructs you how to safely and easily set up, operate and maintain your machine. Please be sure that you, and any other persons who will operate the machine, carefully follow the recommended safety practices at all times. Failure to do so could result in personal injury or property damage.

All information in this manual is relative to the most recent product information available at the time of printing. Review this manual frequently to familiarize yourself with the machine, its features and operation. Please be aware that this Operator's Manual may cover a range of product specifications for various models. Characteristics and features discussed and/or illustrated in this manual may not be applicable to all models. We reserve the right to change product specifications, designs and equipment without notice and without incurring obligation.

The engine manufacturer is responsible for all engine-related issues with regards to performance, power-rating, specifications, warranty and service. Please refer to the engine manufacturer's Owner's/Operator's Manual, packed separately with your machine, for more information.

Record Product Information

Before setting up and operating your new equipment, please locate the model plate on the equipment and record the information in the provided area below. This information will be necessary, should you seek technical support via our web site, Customer Support Department, or with a local authorized service dealer.

MODEL NUMBER


--	--	--	--	--	--	--	--	--	--	--	--	--	--	--


SERIAL NUMBER


--	--	--	--	--	--	--	--	--	--	--	--	--	--	--


Definitions: Safety Alert Symbols and Words

This instruction manual uses the following safety alert symbols and words to alert you to hazardous situations and your risk of personal injury or property damage.

 **DANGER:** Indicates an imminently hazardous situation which, if not avoided, **will** result in **death or serious injury**.

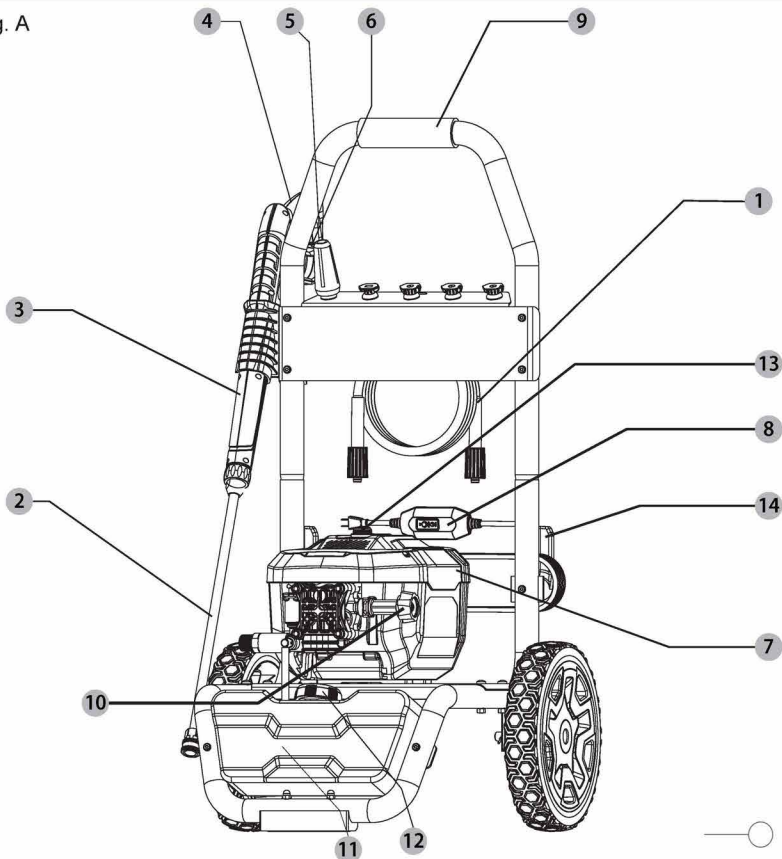
 **WARNING:** Indicates a potentially hazardous situation which, if not avoided, **could** result in **death or serious injury**.

 **CAUTION:** Indicates a potentially hazardous situation which, if not avoided, **may** result in **minor or moderate injury**.

 (Used without word) Indicates a safety related message.

NOTICE: Indicates a practice **not related to personal injury** which, if not avoided, **may** result in **property damage**.

Fig. A



Cleaning tool

1 High pressure hose

2 Spray wand

3 Spray handle

4 Spray handle grip

5 Trigger lock-off

6 Trigger

7 Pressure washer unit

8 GFCI plug

9 Handle


10 Garden hose water intake


11 Soap tank

12 Soap tank cap

13 ON/OFF switch

14 Cord Retainer

 **WARNING:** Read all safety warnings and all instructions. Failure to follow the warnings and instructions may result in electric shock, fire and/or serious injury.

 **WARNING:** To reduce the risk of injury, read the instruction manual.

If you have any questions or comments about this or any product, call 1-800-381-0999

IMPORTANT SAFETY INSTRUCTIONS

DANGER

To reduce the risk of injury, the user must read and understand the instructions before using this product. When using this product, basic precautions should always be followed, including the following:

1. **NEVER** spray directly at a person, animal, electrical device or the unit itself.
2. Pressure washing with volatile, flammable, or corrosive liquids could cause pressure washer damage, fire, or explosion resulting in severe injury and/or death. To avoid these hazards, use only approved soaps and chemicals, do not attempt to pressure wash with volatile, flammable, or corrosive liquids, and **NEVER** use bleach. Always run clean water through the pressure washer after using cleaning chemicals. Soap can only be sprayed using the soap nozzle.
3. **NEVER** spray any electrical outlet with your pressure washer.
4. Inspect the power cord before using. **DO NOT** use it if it is damaged.
5. Operating the pressure washer in an explosive environment could result in a fire. Operate equipment in well-ventilated areas free from obstructions. The pressure washer should not be used in areas where gas vapors may be present. An electric spark could cause an explosion or fire.
6. Do not touch plug or outlet with wet hands.
7. Do not submerge electrical cord or pressure washer in water.
8. Only operate the pressure washer in dry weather. Do not operate the pressure washer in rainy conditions.
3. Avoid accidental starts. Move switch on unit to OFF position before connecting or disconnecting cord to electrical outlets.
4. To prevent damage, the cord should not be crushed, placed next to sharp objects or near a heat source.
5. Wear safety goggles while operating. Wear protective clothing and footwear to protect against accidental spraying. **NEVER** operate the pressure washer in bare feet, sandals, or open-toed shoes
6. Disconnect power plug from the outlet when not in use and prior to the detaching of the high-pressure hose.
7. Never tie knots or kink the high-pressure hose as damage could result. Inspect the high-pressure hose regularly. Replace the hose immediately if it is damaged, worn or shows any signs of cracks, bubbles, pinholes, or other leakage. Never grasp a high-pressure hose that is leaking or damaged.
8. Do not operate or store this product in temperatures below 4 °C. Freeze damage is not covered by the warranty.
9. Never touch, grasp or attempt to cover a pinhole or similar water leak on the high-pressure hose. The stream of water IS under high pressure and WILL penetrate skin.
10. Never defeat the safety features of this product.
11. Do not operate machine with missing, broken or unauthorized parts.

WARNING

To reduce the risk of injury, the user must read and understand the instructions before using this product. When using this product, basic precautions should always be followed, including the following:

1. Read all the instructions before using the product.
2. This product and its exhaust can expose you to chemicals including lead and lead compounds, and carbon monoxide, which are known to the State of California to cause cancer and birth defects or other reproductive harm. For more information go to www.P65Warnings.ca.gov.
12. This unit was designed for specific applications. It should not be modified and/or used for any application other than that which it was designed.
13. Ensure all parts are assembled in the order and orientation as directed in this manual. Failure to correctly assemble parts may lead to serious injuries and/or property damage.
14. The threads on the lance and gun coupler can be easily cross threaded resulting in an improper assembly. An improper assembly of the spray gun and lance can result in personal injury. Do not use if the threads on the gun coupler and/or lance are cross threaded.

15. Do not thread the lance directly to the high-pressure hose. Always attach the lance to the spray gun, and the spray gun to the high-pressure hose, to prevent serious injuries.
16. When using replacement wands or spray guns with this pressure washer, do not use a lance and/or lance/spray gun combination that is shorter in length than what was provided with this pressure washer as measured from the nozzle end of the lance to the spray gun trigger.
17. High-velocity spray directed at pneumatic tire sidewalls (such as found on automobiles, trailers and the like) could damage the sidewall resulting in serious injury. Do not aim spray directly at the bead between the tire and rim.
18. Check for loose or damaged parts, signs of oil leaks, missing guards, plugged cooling vents, or any other condition that may affect proper operation. Repair or replace all damaged or defective parts with authorized parts and keep all safety guards in place and in proper working order before using the pressure washer.
19. This product has many parts that move at high speeds. Moving parts can cause crushing injuries, broken bones, severe lacerations, and/or traumatic amputations. To prevent injury, never place fingers, hands, feet, or other body parts near running engine. Never operate product with covers, shrouds, or other guards removed. Do not wear loose-fitting clothing, dangling drawstrings, or any other hanging items that could become entangled in moving parts while operating. Tie up long hair and remove jewelry before operating.
20. Always release all water pressure before performing any maintenance. Injuries can result if system pressure is not reduced before attempting maintenance or disassembly.
21. Never cover the pressure washer during operation or directly after being used.
22. Never pull water supply hose, high-pressure hose, or electrical cord to move pressure washer.
23. Know how to stop the product and bleed pressures quickly. Be thoroughly familiar with the controls.
24. Keep operating area clear of persons.
25. Do not overreach or stand on unstable support. Keep good footing and balance at all times.
26. Follow the maintenance instructions as specified in the manual.
27. To avoid personal injury and/or damage to property and to maximize your pressure washer experience, carefully follow all of the safety tips, instructions, warnings and safeguards and become familiar with all of the controls. Be sure you know how to quickly bleed off the pressure from all parts of your pressure washer and how to turn off the pressure washer.
28. **DO NOT** use your pressure washer when you are under the influence of alcohol or drugs. Use this power tool carefully and only when you are alert.
29. Watch your balance and footing while using your pressure washer. Surfaces become slippery when wet and are extra slippery when using a detergent or cleaner.
30. This appliance is not intended to be used by persons with reduced physical, sensory, or mental capabilities, or lack of experience and knowledge, unless they have been given supervision or instruction concerning use of the appliance by a person responsible for their safety. Anyone operating the pressure washer should receive proper instructions, understand safe operation, and thoroughly read the owner's manual before operating this product. Keep children and pets away from the pressure washer while it is running. Children should be supervised to ensure that they do not use or play with the appliance. Do not allow children or untrained adults to operate or play with the pressure washer as they can be seriously injured or killed. Always turn off the pressure washer before leaving the area.
31. To avoid mishaps or injury, **ALWAYS** use the trigger safety lock when not using the pressure washer even if only stopping briefly.
32. The pressure washer is equipped with a Ground Fault Circuit Interrupter (GFCI) which greatly reduces the chance of electric shock while the unit is in use. If replacement of the plug or cord is needed, use only identical replacement parts.
33. Point the spray gun in a safe direction when beginning a pressure washer session.
34. When first using the spray gun, hold the spray gun and lance with two hands when pulling the trigger (one hand to pull the trigger and the other to stabilize the gun assembly) until you get used to the "kickback" from the spray gun.

35. When you turn the power switch off, water pressure may remain in the system. To discharge the pressure, point the spray gun in a safe direction and pull the trigger.
36. Avoid contact of the pressure hose with sharp objects and examine the hose regularly. Replace if damaged. Due to the high pressure involved, it cannot be repaired if cut or damaged.
37. Only use detergent specifically formulated for pressure washers and follow instructions on the detergent's label. Dish or laundry soap is too thick and will clog the nozzle of your foam cannon.
38. Protect eyes, lungs, and skin from exposure to detergent.
39. **NEVER** use hot water with your pressure washer. It will overheat and damage the high-pressure pump.
40. **NEVER** leave the pressure washer unattended while it is powered "ON".
41. **ALWAYS** turn the water supply on before turning the pressure washer power to on. Running the pump dry will cause damage to the internal components.
42. **NEVER** use a water supply with your pressure washer that exceeds 100 PSI maximum.
43. **NEVER** disconnect the high-pressure hose from the pressure washer while the system is pressurized.
44. **NEVER** permanently engage the trigger mechanism on the spray gun.
45. **NEVER** operate the pressure washer unless all components are properly and securely connected.
46. **NEVER** allow the pressure washer pump to run for more than one minute after you have turned off the water supply. This can cause the motor and pump to overheat and fail.
47. **NEVER** use lances or other parts that are not compatible for this specific SIMPSON unit.
48. Stay alert - watch what you are doing.

CAUTION

To reduce the risk of injury, the user must read and understand the instructions before using this product. When using this product, basic precautions should always be followed, including the following:


1. Store the pressure washer indoors to prevent the water in the unit from expanding under freezing conditions. When the water freezes and expands, your pressure washer will be damaged and become inoperable. Or, if storing outdoors, it is recommended you use pump saver (not included) to protect pumps.
2. If connection is made to a potable water system, the system should be protected against backflow.
3. High-pressure spray can damage plants and other surfaces such as wood, glass, automobile paint, auto stripping and trim, and delicate objects. To avoid causing damage, cover plants before spraying near them, and test surfaces before spraying to make sure they are strong enough to withstand high-pressure spray.
4. To minimize the amount of water getting into the pressure washer, the unit should be placed as far as possible from the cleaning site during operation.
5. Always store your pressure washer in a location where the temperature will not fall below 4 °C. Freeze damage is not covered by the warranty.


GROUND FAULT CIRCUIT INTERRUPTER PROTECTION

This pressure washer is provided with a ground-fault circuit interrupter (GFCI) built into the plug of the power-supply cord. This device provides additional protection from the risk of electric shock. Should replacement of the plug or cord become necessary, use only identical replacement parts that include GFCI protection.

EXTENSION CORDS

Use only extension cords that are intended for outdoor use. These extension cords are identified by a marking "Acceptable for use with outdoor appliances; store indoors while not in use." Use only extension cords having an electrical rating not less than the rating of the product. Do not use damaged extension cords. Examine extension cord before using and replace if damaged. Do not abuse extension cord and do not yank on any cord to disconnect. Keep cord away from heat and sharp edges. Always disconnect the extension cord from the receptacle before disconnecting the product from the extension cord.

 **WARNING:** To reduce the risk of electrocution, keep all connections dry and OFF the ground. Do not touch plug with wet hands.


 **CAUTION:** This pressure washer shall only be used with a dedicated receptacle/plug rated 120vAC, 60 Hz at 15 -or- 20 amperes. Any other appliances on the circuit should be turned off or unplugged when using the pressure washer. Never use the pressure washer with an adapter that may lead to higher voltage or excessive current. Excessive current may trip circuit breaker. Consult a qualified electrician if unsure of the desired power supply receptacle's ability to safely power this pressure washer. **IT IS NOT RECOMMENDED TO USE AN EXTENSION CORD.** If, however, an extension cord is required, it must be an **OUTDOOR RATED 3-PRONG CORD**, that is no longer than 50 feet (15M) and has a minimum of 14 AWG (2.5mm²) conductors. Always uncoil the extension cord when in use. **DO NOT** use an extension cord that has its ground pin damaged or missing

SERVICING OF A DOUBLE INSULATED APPLIANCE


In a double-insulated product, two systems of insulation are provided instead of grounding. No grounding means is provided on a double-insulated product, nor should a means for grounding be added to the product. Servicing a double-insulated product requires extreme care and knowledge of the system, and should be done only by qualified service personnel. Replacement parts for a double insulated product must be identical to the parts they replace. A double-insulated product is marked with the words "DOUBLE INSULATION" or "DOUBLE INSULATED." The symbol may also be marked on the product.



Additional Safety Information


 **WARNING:** Never modify the power tool or any part of it. Damage or personal injury could result.

 **WARNING: ALWAYS** use safety glasses. Everyday eyeglasses are NOT safety glasses. Also use face or dust mask if operation is dusty. **ALWAYS WEAR CERTIFIED SAFETY EQUIPMENT:**

 **WARNING:** Some dust contains chemicals known to State of California to cause cancer, birth defects or other reproductive harm. Some examples of these chemicals are:

- compounds in fertilizers,
- compounds in insecticides, herbicides and pesticides,
- arsenic and chromium from chemically treated lumber.

To reduce your exposure to these chemicals, wear approved safety equipment such as dust masks that are specially designed to filter out microscopic particles.

 **WARNING:** Use of this tool can generate and/or disperse dust, which may cause serious and permanent respiratory or other injury. Always use NIOSH/OSHA approved respiratory protection appropriate for the dust exposure. Direct particles away from face and body.



WARNING: Always wear proper personal hearing protection that conforms to ANSI S12.6 (S3.19) during use. Under some conditions and duration of use, noise from this product may contribute to hearing loss.

- **Air vents often cover moving parts and should be avoided.** Loose clothes, jewelry or long hair can be caught in moving parts.
- **An extension cord must have adequate wire size (AWG or American Wire Gauge) for safety.** The smaller the gauge number of the wire, the greater the capacity of the cable, that is, 16 gauge has more capacity than 18 gauge. An undersized cord will cause a drop in line voltage resulting in loss of power and overheating. When using more than one extension to make up the total length, be sure each individual extension contains at least the minimum wire size. The following table shows the correct size to use depending on cord length and nameplate ampere rating. In any doubt, use the next heavier gauge. The lower the gauge number, the heavier the cord.

Minimum Gauge for Cord Sets

Volts		Total Length of Cord in Feet (meters)			
120		25(7.6)	50(15.2)	100(30.5)	150(45.7)
240V		50(15.2)	100(30.5)	200(61.0)	300(91.4)
Ampere Rating		American Wire Gauge			
More Than	Not More Than				
0	6	18	16	16	14
6	10	18	16	14	12
10	12	16	16	14	12
12	16	14	12	Not Recommended	


Motor

Be sure your power supply matches the nameplate marking. Voltage decrease of more than 10% will cause loss of power and overheating. These tools are factory tested; if this tool does not operate, check power supply.

Intended Use

This pressure washer is intended for cleaning boats, cars, decks, driveways, grills, house siding, motorcycles, patios, and outdoor furniture.

DO NOT let children come into contact with the tool. Supervision is required when inexperienced operators use this tool.



CAUTION
TRIPPING HAZARD
Hoses may pose a tripping hazard that can cause injuries resulting from a fall.



CAUTION:
SLIP / TRIP HAZARDS

When pressure washing in public areas, signs should be posted that indicate to stay clear of the area as high-pressure washing is being performed. Also, signs should be posted that the surface may be slippery and trip hazards may be present.

Special consideration needs to be made to the safety of not just the operator of the pressure washer, but also people who may be adjacent to the area being cleaned. The best way to warn unsuspecting individuals is with signage and barriers.

Barriers can be as simple as plastic traffic cones or barricades to using barrier belts around the area being cleaned. Remember, pressure washing can dislodge weak or broken pavement turning it into projectiles that may injure others. Keeping people clear of the area is the best way to avoid injury.

Wet pavement can be slippery to unsuspecting individuals causing injury from slips and falls. High-pressure and low-pressure hoses can be trip hazards. Segregating the area and placing appropriate signage can reduce injury.

Sign examples



Barrier examples



ASSEMBLY AND ADJUSTMENTS

WARNING: To reduce the risk of serious personal injury, turn unit off and disconnect it from power source before making any adjustments or removing/ installing attachments or accessories. An accidental start-up can cause injury.

CAUTION: Avoid placing hands between handle and frame when assembling to prevent pinching.

Assemble Wheels (Fig. B)

Your pressure washer is not fully assembled in the carton.

1. To assemble the wheels **15** to the pressure washer unit **7**, insert an axle pin **16** through the wheel hub **17**.

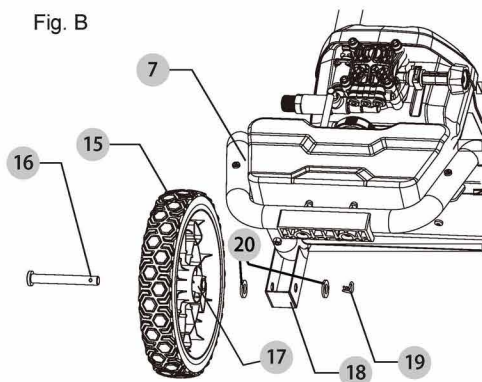
NOTE: Follow this process for left and right wheels.

2. With the wheel attached, insert the axle pin **16** into the washers **20** and axle bracket **18** and install the retaining pin **19** as shown in Fig. B to the axle pin **16** until it snaps into place.

NOTE: Follow this process for left and right wheels.

3. Ensure wheels **15** are fully secured to the axle bracket **18**.

Fig. B

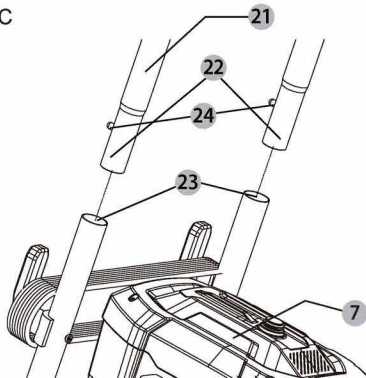


Assemble Frame Handle (Fig.C)

Your pressure washer is not fully assembled in the carton.

1. To assemble the frame handle **21** to the pressure washer unit **7**, align the upper poles **22** with the lower poles **23** so the detent pins **24** snap into position.

Fig. C



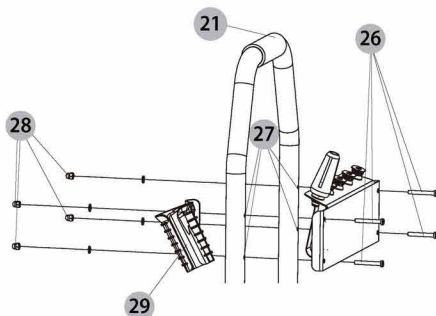
Assemble Crossmember and Spray Handle Storage Hook (Fig. D)

Your pressure washer is not fully assembled in the carton.

1. To assemble the crossmember **25** to the frame handle **21**, align the four screw tabs **26** on the back of the crossmember **25** with the four slots **27** in the frame handle **21** and place the crossmember **25** onto the frame handle **21**.

2. Insert the four retaining screws **28** through the frame handle **21** and spray handle storage hook and use a Phillips screwdriver to fully tighten the screws. Ensure the crossmember **25** and spray handle storage **29** are fully secured to the frame handle **21**.

Fig. D

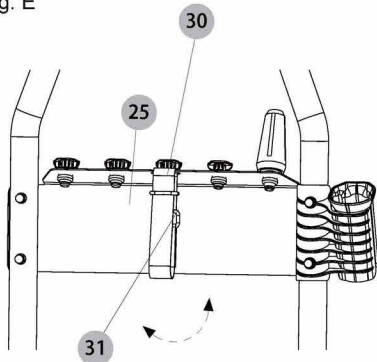


High Pressure Hose Strap (Fig. E)

Your pressure washer is not fully assembled in the carton.

1. To assemble the high-pressure hose strap **30** to the crossmember **25**, feed the hose strap **30** through the crossmember **25**.
2. Loop the thin end of the hose strap **30** through the loop on the strap **31**.
3. Adhere the hose strap to itself.

Fig. E



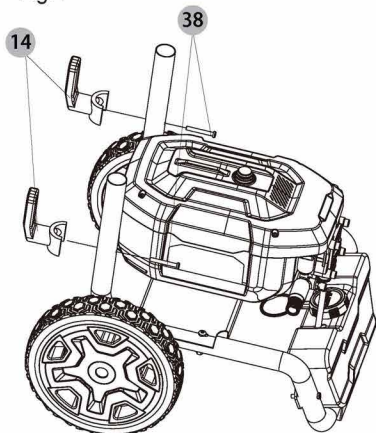
ATTACHING THE CORD RETAINER(Fig. F)

1. Align the holes in the cord retainer with the holes in the frame.

NOTE: Install the cord retainer facing up as shown.

2. Insert a bolt **38** through the frame and the cord retainer **14**. Tighten to secure with phillips screwdriver.

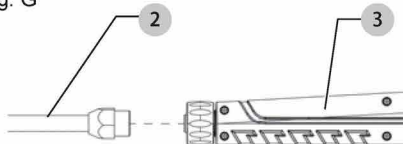
Fig. F



Attaching Spray Wand (Fig. G)

1. To connect the spray wand **2** to the spray handle **3**, insert the end of the spray wand inside the spray handle and turn the spray wand clockwise firmly until it is in the working position.

Fig. G



WARNING: Ensure all parts are assembled in the order and orientation as directed in this manual. Failure to correctly assemble parts may lead to serious injuries and/or property damage.

WARNING: The threads on the lance and gun coupler can be easily cross threaded resulting in an improper assembly. An improper assembly of the spray gun and lance can result in personal injury. Do not use if the threads on the gun coupler and/or lance are cross threaded.

WARNING: Do not thread the lance directly to the high-pressure hose. Always attach the lance to the spray gun, and the spray gun to the high-pressure hose, to prevent serious injuries.

Attaching High Pressure Hose (Fig.H-I)

NOTICE: Never pull water supply hose to move pressure washer. This could damage hose and/or pump inlet.

1. To connect the high pressure hose **1** to the spray handle **3**, screw the hose collar **33** onto the inlet coupler **34**.
2. To connect the high pressure hose to the pressure washer unit **7**, screw the hose collar **33** onto the high pressure water outlet **37**.

NOTE: Uncoil the high pressure hose before installation to prevent kinks.

NOTE: Avoid cross threading when installing the hose. Cross threading will cause leaks.

Fig. H

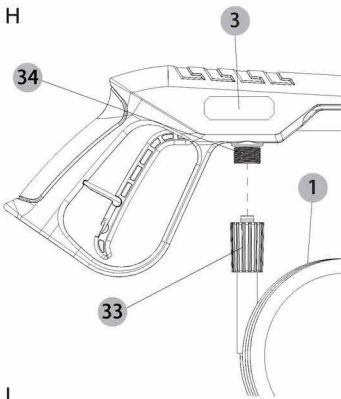
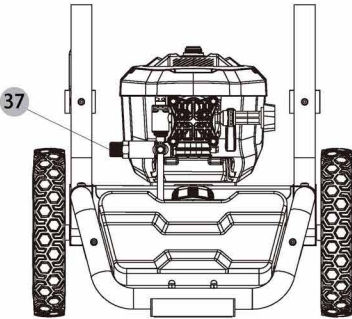


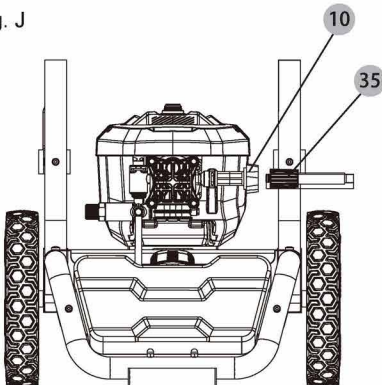
Fig. I



Attaching Garden Hose (Fig. J)

1. To connect a garden hose to the pressure washer unit **7**, place the end of a garden hose **35** inside the water intake **10**. Tighten the garden hose by hand.
2. Always disconnect the garden hose after usage. **NOTE:** Before connecting the garden hose to the pressure washer unit, run water through the garden hose for thirty seconds to clear any debris from the mouth of the garden pressure hose.

Fig. J



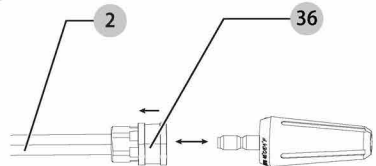
Attaching Nozzles (Fig. K)

- DANGER:** Risk of fluid injection. Do not direct discharge stream toward persons, unprotected skin, eyes or any pets or animals. Serious injury will occur.
- WARNING:** Flying objects could cause risk of serious injury. DO NOT attempt to change nozzles while pressure washer is running. Turn pressure washer unit OFF before changing nozzles.

1. To connect a nozzle to the spray wand **2**, pull the quick connect collar **36** toward the spray wand and insert the appropriate nozzle.
2. Release the quick connect collar to lock the nozzle in place.
3. To ensure nozzle is locked into place, give the nozzle a firm tug after the quick connect collar has locked into place.

Spray Tip	Application
15° Orange Nozzle	For brick or masonry.
25° Green Nozzle	For vinyl siding.
40° White Nozzle	For general cleaning.
Soap Nozzle	For gentle wide area cleaning
Black Turbo Nozzle	For abrasive cleaning.

Fig. K



OPERATION

- WARNING:** To reduce the risk of serious personal injury, turn unit OFF and disconnect it from power source before making any adjustments or removing/ installing attachments or accessories. An accidental start-up can cause injury.

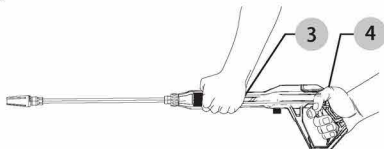
Proper Hand Position (Fig. L)

WARNING: To reduce the risk of serious personal injury, **ALWAYS** use proper hand position as shown.

WARNING: To reduce the risk of serious personal injury, **ALWAYS** hold securely in anticipation of a sudden reaction.

Proper hand position requires one hand on the spray handle grip **4** and the other hand on the spray handle **3**.

Fig. L



Test Ground-Fault Circuit-Interrupter (GFCI) Before Each Use (Fig. A)

This pressure washer is provided with a ground-fault circuit-interrupter (GFCI) built into the plug of the power-supply cord. This device provides additional protection from the risk of electric shock.

1. Plug the Ground Fault Circuit Interrupter (GFCI) into a working grounded outlet.
2. The indicator at the top of the GFCI should turn green when product is ready to use.
3. Press the "TEST" button (bottom). The green indicator should disappear.
4. Press "RESET" button for use. Do not use if the above test fails.

Pressure Washing

Preparing Surface for Cleaning

- Remove objects from the area which could create a hazard such as children's toys or outdoor furniture
- Insure that all doors and windows are closed tight. Protect all plants and trees in the adjacent area with a drop cloth ensuring that they will not be harmed by any overspray.
- Pre-rinse cleaning area with fresh water.
- Use only detergents formulated for pressure washers.
- Always test detergent in an inconspicuous area before use.

Preparing Pressure Washer Unit for Use (Fig. A)

DANGER: Risk of fluid injection and laceration. When using the high-pressure setting, **DO NOT** allow the high-pressure spray to come in contact with unprotected skin, eyes, or with any pets or animals. Serious injury will occur.

CAUTION: Before operation:

- Connect the water supply to the pressure washer. For instructions on connecting the water supply to the pressure washer, please refer to **Attaching Garden Hose** under **Assembly and Adjustments**.
- Connect the High pressure hose to the pressure washer and the pressure wand. For instructions on connecting the High pressure hose to the pressure washer and pressure wand, please refer to **Attaching High Pressure Hose** under **Assembly and Adjustments**.

Preparing Spray Handle (Fig. A)

IMPORTANT: Before turning on the pressure washer unit, disengage the trigger lock **5** and squeeze the trigger **6**. Hold the trigger for 30 seconds to purge the system of air. If air is still found in the water stream, continue to run water through the spray handle

1. Disengage the trigger lock **5**.
2. Squeeze the trigger **6**.

Cleaning a Surface (Fig. A, M)

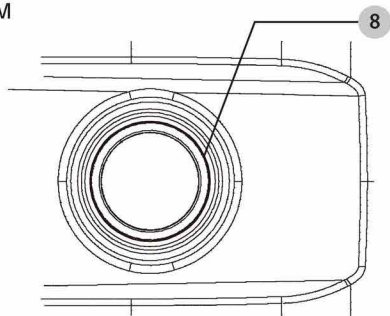
- To start the pressure washer, push the ON/OFF switch **8**.
- The best angle for spraying water against a cleaning surface is 45°. Spraying head on tends to cause dirt particles to imbed in the surface. When working on vertical surfaces, it is best to apply detergent starting at the bottom and working upwards which will prevent the detergent from sliding down and causing streaks.

To disengage the spray handle, release the trigger.

NOTICE: Running the pressure washer for more than two minutes without the spray gun trigger pulled will overheat the pump and possibly cause damage. The thermal relief valve will open and spray water to help cool the pump as it overheats. Never tamper with the thermal relief valve. To avoid overheating the pump, shut off the engine if not being used for longer than two minutes.

NOTE: Excessive pump pressure may be the result of a clogged nozzle or brass coupling. Always turn OFF the pressure washer unit and unplug the unit before attempting to unclog a nozzle or brass coupler.

Fig. M



Moving the Pressure Washer (Fig. A)

1. Turn OFF the pressure washer unit **7** by pushing the ON/OFF switch **8** and then turn OFF the water supply.
2. Point the spray wand **2** in a safe direction and pull the trigger **6** to release remaining water pressure.
3. When the spray wand is completely empty, pull the pressure washer by the handle **9**.

Shutdown (Fig. A)

NOTICE: Turning off the water supply to your pump with the motor running will damage the pump. Damaged caused by running the pump without water is not covered under warranty. To avoid this hazard always turn off the motor before shutting off the water supply.

1. To stop the pressure washer, push the ON/OFF switch **8** and unplug the cord from the outlet.
2. Turn OFF water at the faucet.
3. Discharge residual pressure by squeezing the trigger **6** until no more water comes out of the spray wand **2**.

4. Engage the spray gun trigger lock **5**.
5. Disconnect the garden hose from the water intake **10**.
6. Disconnect the high pressure hose **1** from the high pressure water outlet **37** and drain the hose.

MAINTENANCE

WARNING: To reduce the risk of serious personal injury, turn unit off, squeeze the spray gun trigger to relieve the pressure in the hose and pump, and disconnect it from power source before making any adjustments or removing/installing attachments or accessories.

An accidental start-up can cause injury.

Cleaning

WARNING: Blow dirt and dust out of all air vents with clean, dry air at least once a week. To minimize the risk of eye injury, always wear ANSI Z87.1 approved eye protection when performing this procedure.

WARNING: Never use solvents or other harsh chemicals for cleaning the non-metallic parts of the tool. These chemicals may weaken the plastic materials used in these parts. Use a cloth dampened only with water and mild soap. Never let any liquid get inside the tool; never immerse any part of the tool into a liquid.

Nozzle

If the nozzle becomes clogged with foreign materials, such as dirt, excessive pressure may develop. If the nozzle becomes partially clogged or restricted, the pump pressure will pulsate. Clean the nozzle immediately using the nozzle cleaner.

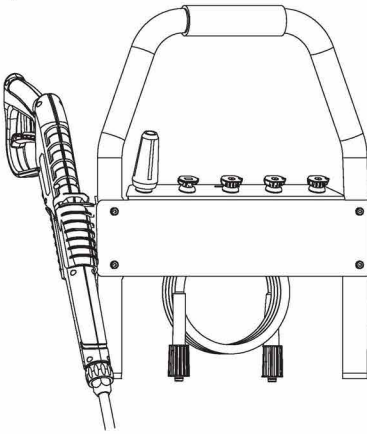
1. Shut OFF the pressure washer unit **7** and turn OFF the water supply.
2. Pull trigger **6** on spray handle **3** to relieve any water pressure.
3. Remove the nozzle from the spray wand **2** by pulling the quick connect collar **36** toward the spray wand.
4. Using the spray tip cleaning tool, unclog any debris from the nozzle.

- Run water from a faucet or garden hose through the nozzle.

Storage (Fig. N)

- Store in a dry, covered location above freezing temperature. **STORE INDOORS.**
- Always completely empty water from high pressure hose, pressure washer unit, spray wand, nozzles, soap bottle, and spray gun.
- Nozzles can be stored on the cross member as shown in Fig.N.
- Protect the pump by using a high-quality pump guard. See the USING A HIGH-QUALITY PUMP GUARD section of this manual.

Fig. N

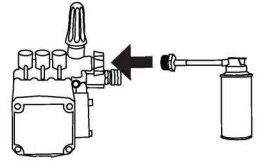


Using A High-Quality Pump Guard

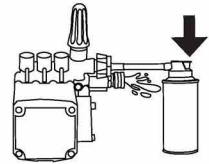
A high-quality pump guard (purchase separately) is formulated to protect your pump during long-term storage and from freezing damage. A high quality pump guard should be used throughout the season to keep the seals pliable and well lubricated. Before storing the unit for winter or for when there is a chance of freezing weather, use pump guard to remove all traces of water from the internal cavities while filling them with an antifreeze solution. A high-quality pump guard is insurance for your investment, use it.

Simply use a high-quality pump guard by following these easy steps:

- Screw the Pump Guard adapter into the garden hose input on the pump.



- Press and hold down on the button until all the water and the Pump Guard starts to come out of the high pressure port.



- Unscrew the Pump Guard from the pump then prepare the pressure washer for storage as outlined in STORAGE AND TRANSPORTATION.



NOTICE PUMP DAMAGE

Leaving water inside the pump during freezing weather will cause severe damage to the pump. To avoid costly damage, always treat the pump with a high-quality pump guard to remove the trapped water and to fill the pump with a lubricating, antifreeze solution.

Accessories

! WARNING: *Since accessories, other than those offered by **SIMPSON**, have not been tested with this product, use of such accessories with this tool could be hazardous. To reduce the risk of injury, only **SIMPSON** recommended accessories should be used with this product.*

Repairs

! WARNING: *To assure product **SAFETY** and **RELIABILITY**, repairs, maintenance and adjustment (including power cord repairs, and brush inspection and replacement, when applicable) should be performed by a **SIMPSON** factory service center or a **SIMPSON** authorized service center. Always use identical replacement parts.*

LIMITED WARRANTY

Consumer Products

WARRANTY COVERAGE TERMS:

The manufacturer of this product agrees to repair or replace designated parts that prove defective within the warranty period listed below at the manufacturer's sole discretion. Specific limitations/extensions and exclusions apply.

This warranty covers defects in material and workmanship and not parts failure due to normal wear, depreciation, abuse, accidental damage, negligence, improper use, maintenance, water quality and storage. Normal wear items include, but are not limited to, items such as valves and seals, which are not covered by this warranty. To make a claim under the terms of the warranty, all parts said to be defective must be retained and available for return upon request to a designated Warranty Service Center for warranty inspection. The judgments and decisions of the manufacturer concerning warranty claims are final.

This limited warranty extends only to the consumer who originally purchased the new product from the manufacturer or from an authorized seller of the product. It does not extend to any subsequent owner or through consumer transfer of the product, and cannot be provided by any unauthorized seller of the product. Factory authorized and trained Warranty Service Centers will honor the terms of all component warranties and satisfy claims of the appropriate warranty provisions.

This warranty replaces all warranties, express or implied, including without limitation any warranties of merchantability or fitness for a particular purpose and all such warranties are hereby disclaimed and excluded by the manufacturer. The manufacturer's warranty obligation is limited to repair and replacement of defective products as provided herein and the manufacturer shall not be liable for any further loss, damages, or expenses including damages from shipping, accident, abuse, acts of God, misuse, or neglect.

Neither is damage from repairs using parts not purchased from the manufacturer or alterations performed by non-factory authorized personnel. Failure to install and operate equipment according to the guidelines put forth in the instruction manual shall void warranty.

THIS WARRANTY DOES NOT COVER:

Merchandise sold as reconditioned, used as rental equipment, used for commercial or commercial applications, and units used as floor or display models, damage resulting from shipping (claims must be filed with freighter), accident, abuse, acts of God, misuse or neglect. This warranty also does not cover damage from repairs or alterations performed by non-factory authorized personnel or failure to install and operate equipment according to the guidelines put forth in the instruction manual. The manufacturer will not be liable to any persons for consequential damage, for personal injury or for commercial loss.

RESPONSIBILITY OF ORIGINAL PURCHASER (INITIAL USER):

To process a warranty claim on your **SIMPSON** pressure washer, report the concern to 1-800-381-0999 or cservice@fna-group.com for authorization and direction to the nearest authorized service center in your area. Retain original cash register receipt as proof of purchase for warranty work. Use reasonable care in the operation and maintenance of the product as described in the Owner's Manual.

WHAT THIS WARRANTY DOES NOT COVER:

- Freight damage
- Damage due to chemical deterioration, salt water, rust or corrosion
- Damage caused by parts or accessories not obtained from an authorized dealer or not approved by the manufacturer
- Normal wear of moving parts or components affected by moving parts
- Consumable parts such as: oil and lubricant(s)
- Normal periodic maintenance work such as carburetor cleaning and engine oil draining
- Freeze damage

WARRANTY COVERAGE PERIODS:

MOTOR (DEFECTS IN MATERIAL AND WORKMANSHIP)

- TWO (2) years from date of purchase

HIGH PRESSURE PUMP (DEFECTS IN MATERIAL AND WORKMANSHIP)

- TWO (2) years from date of purchase

FRAME (DEFECTS IN MATERIAL AND WORKMANSHIP)

- TWO (2) years from date of purchase

ACCESSORIES (DEFECTS IN MATERIAL AND WORKMANSHIP)

- Nozzles, hoses, spray guns, wands, tires, rubber feet:
NINETY (90) days from date of purchase

INTENT & USE STATEMENT

- This is a Consumer product line that is NOT designed to be used in commercial applications. This warranty does not cover any product used for rental or commercial purposes, or any other income producing purposes.

TROUBLESHOOTING

⚠ WARNING: Risk of Unsafe Operation. Before servicing unit unplug or disconnect electrical supply, turn water supply off, discharge residual pressure, and engage spray handle lock-off.

PROBLEM	CAUSE	CORRECTION
Motor does not start..	Unit not plugged in.	Plug in power cord.
	Wand trigger not being squeezed.	Squeeze trigger.
	GFCI tripped.	Press reset button at GFCI on plug end of cord.
Unit does not reach high pressure.	Water faucet not fully turned on.	Open water valve fully.
	Water inlet filter clogged.	Remove filter and rinse to clean.
	Nozzle worn.	Contact a customer service representative at 1-800-381-0999.
	Pump is sucking air.	Check that hoses and fittings are air tight. Turn OFF machine and purge pump by squeezing trigger gun until a steady flow of water emerges from the nozzle.
Output pressure varies high/low.	Water supply restricted.	Check water hose for kinks, leaks and blockage.
	Not enough inlet water supply.	Turn water on full force - check hose for leaks and kinks.
	Pump is sucking air.	Check that hoses and fittings are air tight. Turn OFF machine and purge pump by squeezing trigger gun until a steady flow of water emerges from the nozzle.
	Water inlet screen clogged.	To unclog, rinse OFF with water.
No detergent.	Discharge nozzle is obstructed.	Blow out or remove debris.
	Detergent container is empty.	Add more detergent.
	Detergent bottle or suction tube not properly connected.	Check connections.
	Detergent is too thick.	Use detergent recommended for use in pressure washers only.
	Filter on detergent suction tube is clogged.	Run warm water through filter to remove debris.
Garden hose connection leaks.	Damaged or clogged detergent suction tube.	Remove obstruction or replace detergent suction tube.
	Discharge nozzle is obstructed.	Blow out or remove debris.
	Loose fittings.	Tighten fittings.
Spray wand or extension leaks.	Missing/worn rubber washer.	Replace washer in hose adapter.
	Spray wand not properly attached.	Insert the spray wand into the wand extension. Push in and turn to lock spray wand into place.
Pump is excessively noisy.	Broken O-ring.	Contact a customer service representative at 1-800-381-0999.
		Check that hoses and fittings are air tight. Turn OFF machine and purge pump by squeezing trigger gun until a steady flow of water emerges from the nozzle.
Water leaks from pump.	Loose fittings.	Check that all fittings are tight.
	Water seals are damaged or worn.	Contact a customer service representative at 1-800-381-0999.

Oil leaks.	Oil seals are damaged or worn.	Contact a customer service representative at 1-800-381-0999.
Motor buzzes but fails to run.	Supply voltage below minimum.	Verify that only the pressure washer is running on this circuit.
	System has residual pressure.	Turn unit off, squeeze trigger on spray wand to release pressure, then turn unit on.
	Voltage loss due to extension cord.	Do not use extension cord with this unit - plug directly into outlet.
	Cleaner not used for long periods.	Contact a customer service representative at 1-800-381-0999.



READ THIS MANUAL CAREFULLY BEFORE OPERATION

Failure to follow the instructions and safety precautions in this manual can result in property damage, serious injury and/or death.

SAVE THIS MANUAL FOR FUTURE REFERENCE

Copyright © 2025 FNA-Group, Inc. All rights reserved.