

# Dishwasher

# User manual

---

DW70H7\*\*\*\*\*

---

**SAMSUNG**

# Contents

---

|   |           |
|---|-----------|
| <b>Safety information</b>                       | <b>4</b>  |
| What you need to know about safety instructions | 4         |
| Important safety symbols                        | 4         |
| Important safety precautions                    | 5         |
| Instructions when using your dishwasher         | 7         |
| Instructions for protecting your children       | 8         |
| Instructions for installing your dishwasher     | 8         |
| Instructions about the WEEE                     | 10        |
| <b>Product overview</b>                         | <b>11</b> |
| Dishwasher at a glance                          | 11        |
| <b>Preparing the installation</b>               | <b>13</b> |
| Installation kit (provided)                     | 13        |
| Required tools and parts (not provided)         | 16        |
| Installation requirements                       | 17        |
| <b>Installation</b>                             | <b>19</b> |
| Step-by-step installation                       | 19        |
| Finalizing the installation                     | 36        |
| <b>SmartThings</b>                              | <b>40</b> |
| Wi-Fi connection                                | 40        |
| Download  | 40        |
| Log in  | 40        |
| Wi-Fi Off                                       | 40        |
| To register your device to SmartThings          | 40        |
| Dishwasher app                                  | 41        |
| SmartThings functions                           | 42        |
| <b>Before you start</b>                         | <b>44</b> |
| Unsuitable items for the dishwasher             | 44        |
| Basic use of racks                              | 45        |
| Detergent compartment                           | 51        |
| Rinse aid compartment                           | 53        |
| Salt storage                                    | 53        |
| Touchpad responsiveness                         | 55        |
| Operation status indicators                     | 55        |

---

|  |           |
|--|-----------|
| <b>Operations</b>                                    | <b>56</b> |
| Control panel  | 56        |
| Icon descriptions                                    | 57        |
| Cycle overview                                       | 58        |
| Operating a cycle                                    | 60        |
| Settings   | 61        |
| Special features                                     | 64        |
| Open Source Announcement                             | 65        |
| <b>Maintenance</b>                                   | <b>66</b> |
| Cleaning   | 66        |
| Long-term care                                       | 70        |
| <b>Troubleshooting</b>                               | <b>71</b> |
| Checkpoints  | 71        |
| Information codes                                    | 74        |
| <b>Appendix</b>                                      | <b>75</b> |
| Cycle chart  | 75        |
| Transportation/relocation                            | 76        |
| Protection against frost                             | 76        |
| Disposing the dishwasher and helping the environment | 76        |
| Energy, water saving tip                             | 77        |
| EPREL information                                    | 77        |
| Specifications                                       | 78        |
| <b>For standard test</b>                             | <b>79</b> |
| DW70H73**** models                                   | 79        |
| DW70H72**** models                                   | 81        |
| <b>Contact information</b>                           | <b>83</b> |
| QUESTIONS OR COMMENTS?                               | 83        |

# Safety information

---

Congratulations on your new Samsung dishwasher. This manual contains important information on the installation, use, and care of your appliance. Please take time to read this manual to take full advantage of your dishwasher's many benefits and features.

## What you need to know about safety instructions

---

Please read this manual thoroughly to ensure that you know how to safely and efficiently operate the extensive features and functions of your new appliance and retain it at a safe place near the appliance for your future reference. Use this appliance only for its intended purpose as described in this user manual.

Warning and important safety instructions in this manual do not cover all possible conditions and situations that may occur. It is your responsibility to use common sense, caution, and care when installing, maintaining, and operating your dishwasher.

Because the following operating instructions cover various models, the characteristics of your dishwasher may differ slightly from those described in this manual and not all warning signs may be applicable. If you have any questions or concerns, contact your nearest service centre or find help and information online at [www.samsung.com](http://www.samsung.com).

## Important safety symbols

---

What the icons and signs in this user manual mean:

### **WARNING**

Hazards or unsafe practices that may result in **severe personal injury, death, or property damage**.

### **CAUTION**

Hazards or unsafe practices that may result in **personal injury or property damage**.

### **NOTE**

Indicates that a risk of personal injury or material damage exists.

These warning symbols are here to prevent injury to you and others. Please follow them explicitly.

Keep these instructions in a safe place and ensure that new users are familiar with the content. Pass them on to any future owner.

---

## Important safety precautions

---

**To reduce the risk of fire, electric shock, or injury to persons when using your appliance, follow basic precautions, including the following:**

1. This appliance is not intended for use by persons (including children) with reduced physical, sensory or mental capabilities, or lack of experience and knowledge, unless they have been given supervision or instruction concerning use of the appliance by a person responsible for their safety.
2. **For use in Europe:** This appliance can be used by children aged from 8 years and above and persons with reduced physical, sensory or mental capabilities or lack of experience and knowledge if they have been given supervision or instruction concerning use of the appliance in a safe way and understand the hazards involved. Children shall not play with the appliance. Cleaning and user maintenance shall not be made by children without supervision.
3. Children should be supervised to ensure that they do not play with the appliance.
4. If the supply cord is damaged, it must be replaced by the manufacturer, its service agent or similarly qualified persons in order to avoid a hazard.
5. The new hose-sets supplied with the appliance are to be used and that old hose-sets should not be reused.
6. For appliances with ventilation openings in the base, a carpet must not obstruct the openings.

## Safety information

---

7. Children of less than 3 years should be kept away from the appliance unless continuously supervised.
8. **CAUTION:** In order to avoid a hazard caused by inadvertent resetting of the thermal cut-out, this appliance must not be supplied through an external switching device, such as a timer, or connected to a circuit that is regularly switched on and off by the utility.
9. **WARNING:** Knives and other utensils with sharp points must be loaded in the basket with their points down or placed in a horizontal position.
10. The door should not be left in the open position since this could present a tripping hazard.

This appliance is solely intended to be used in household and similar applications such as:

- Staff kitchen areas in shops, offices, and other working environments;
- Farm houses;
- Clients in hotels, motels, and other residential type environments;
- Bed and breakfast type environments.

---

## Instructions when using your dishwasher

---

It must only be used as an appliance as specified in this user manual, for cleaning domestic crockery and cutlery. Any other usage is not supported by the manufacturer and could be dangerous.

The manufacturer cannot be held liable for damage resulting from incorrect use, operation, and installation.

Do not use solvents in the dishwasher. Danger of explosion.

Do not inhale or ingest dishwasher detergent. Dishwasher detergents contain irritant or corrosive ingredients which can cause burning in the nose, mouth and throat if swallowed, or inhibit breathing. Consult a doctor immediately if detergent has been swallowed or inhaled.

Avoid leaving the door open unnecessarily, as you could trip over it.

Do not sit or lean on the opened door. This could cause the dishwasher to tip and get damaged, and you could get injured.

Only use detergent and rinse aid formulated for domestic dishwashers. Do not use washing-up liquid.

Do not use any strong acid cleaning agent.


Do not fill the rinse aid compartment with powder or liquid detergent. This will cause serious damage to the compartment.

Inadvertently filling the salt storage with powder or liquid dishwasher detergent will damage the water softener. Make sure to use the correct packet of dishwasher salt when filling the salt storage.

Please only use special coarse grained dishwasher salt for reactivation, as other salts may contain insoluble additives which can impair the functioning of the softener.

In an appliance with a cutlery basket (depending on the model), cutlery is cleaned and dried better if placed efficiently in the basket with the handles downwards. However, to avoid the risk of injury, place knives and forks etc. with the handles upwards.

Plastic items which cannot withstand being washed in hot water, such as disposable plastic containers, or plastic cutlery and crockery should not be cleaned in the dishwasher. The high temperatures in the dishwasher may cause them to melt or lose shape.

On models with the **Delay Start**  function, make sure that the detergent compartment is dry before adding detergent. Wipe dry if necessary. The detergent will clog if poured into a damp detergent compartment and may not be thoroughly dispersed.

Always be caution when using remote control. You may be exposed to security risks during use, and usage-related problems may also arise because of Internet connectivity issues or incorrect settings.

Please do not operate the product with living beings (such as a person or an animal) or items that may cause water leakage or explosion.

# Safety information

---

## Instructions for protecting your children

---

This appliance is not a toy! To avoid the risk of injury, keep children well away and do not allow them to play in or around the dishwasher or to use the controls. They will not understand the potential dangers posed by it. They should be supervised whenever you are working in the kitchen. There is also a danger that children playing might shut themselves in the dishwasher.

Cleaning and user maintenance shall not be made by children without supervision.

Older children may only use the dishwasher when its operation has been clearly explained to them and they are able to use it safely, recognising the dangers of misuse.

**KEEP CHILDREN AWAY FROM DETERGENTS!**

Dishwasher detergents contain irritant and corrosive ingredients which can cause burning in the mouth, nose and throat if swallowed, or inhibit breathing.

Keep children away from the dishwasher when the door is open. There could still be detergent residues in the cabinet.

Consult a doctor immediately if your child has swallowed or inhaled detergent.

## Instructions for installing your dishwasher

---

Before setting up the appliance, check it for any externally visible damage. Under no circumstances should you use a damaged appliance. A damaged appliance can be dangerous.

The dishwasher must only be plugged into the electricity supply through a suitable switched socket. The electrical socket must be easily accessible after the dishwasher is installed so that it can be disconnected from the electricity supply at any time. (Refer to the "**Dishwasher at a glance**" section on page 11.)

There must be no electrical sockets behind the dishwasher. The Danger of overheating and fire risk if the dishwasher were to be pushed up against a plug. After the installation is complete, make sure the power plug is not bent or damaged.

The dishwasher must not be installed under a hob. The high radiant temperatures which are sometimes generated by a hob could damage the dishwasher. For the same reason, it should not be installed next to open fires or other appliances which give off heat, such as heaters etc.

Do not connect the dishwasher to the mains supply until it has been fully installed and any adjustment has been made to the door springs.

Before connecting the appliance, check that the connection data on the data plate (voltage and connected load) match the mains electricity supply. If in any doubt, consult a qualified electrician.

The electrical safety of this appliance can only be guaranteed when continuity is complete between it and an effective grounding system. It is most important that this basic safety requirement is present and regularly tested and where there is any doubt the electrical system in the house should be checked by a qualified electrician.

---

The manufacturer cannot be held liable for the consequences of an inadequate grounding system (for example electric shock). Do not connect the ground wire to plastic plumbing, gas lines, or hot water pipes. Improperly connected grounding conductors may cause electric shock.

Do not connect the appliance to the mains electricity supply by a multi-socket unit or an extension lead. These do not guarantee the required safety of the appliance (for example danger of overheating).

This appliance may only be installed in mobile installations such as ships if a risk assessment of the installation has been carried out by a suitably qualified engineer.

The plastic housing of the water connection contains an electrical component. The housing must not be submerged in water.

There are electrical wires in the hose of Aqua-Stop. Never cut the water inlet hose, even if it is too long.

Installation, maintenance and repairs may only be carried out by a suitably qualified and competent person in strict accordance with current national and local safety regulations. Repairs and other work by unqualified persons can be dangerous. The manufacturer cannot be held liable for unauthorised work.

The integrated waterproof system offers protection from water damage, provided the following conditions are met:

- The dishwasher is correctly installed and plumbed in.
- The dishwasher is properly maintained and parts are replaced where it can be seen that this is necessary.
- The stopcock/supply valve has been turned off when the appliance is not used for a longer period of time (for example during holidays).
- The waterproof system will work even if the appliance is switched off. However, the appliance must remain connected to the electricity supply.

A damaged appliance can be dangerous. If the dishwasher gets damaged, switch it off at the mains and call your dealer or the service department.

Unauthorised repairs could result in unforeseen dangers for the user, for which the manufacturer cannot accept liability. Repairs should only be undertaken by an approved service technician.

Faulty components must only be replaced by original spare parts. Only when these parts are fitted can the safety of the appliance can be guaranteed.

Always disconnect the dishwasher from the electrical supply for maintenance work (Power off the wall socket and remove the plug).

If the connection cable is damaged, it must be replaced with a special cable available from the manufacturer. For safety reasons, this must only be fitted by the service department or an authorised service technician.

In countries where there are areas which may be subject to infestation by cockroaches or other vermin, pay particular attention to keeping the appliance and its surroundings in a clean condition at all times. Any damage which may be caused by cockroaches or other vermin will not be covered by the guarantee.

# Safety information

---

In the event of a fault or for cleaning purposes, the appliance is only completely isolated from the electricity supply when:

- it is switched off at the wall socket and the plug is withdrawn, or
- it is switched off at the mains, or
- the mains fuse is disconnected, or
- the screw-out fuse is removed (in countries where this is applicable).

Do not make any alterations to the appliance, unless authorised to do so by the manufacturer.

Never open the casing/housing of the appliance. Tempering with electrical connections or components and mechanical parts is highly dangerous and can cause operational faults or electric shock.

While the appliance is under guarantee, repairs should only be undertaken by a service technician authorised by the manufacturer. Otherwise, the guarantee will be invalidated.

When installing the product, make sure there is space at the top, left, right and back of the product to ensure proper ventilation. If there is insufficient space between the product and the sink, it may damage the sink or allow mould to grow.

Make sure that your dishwasher's hardness level setting is correct as your area. (Refer to the "Salt storage" section on page 53.)

Please consult [www.samsung.com/support](http://www.samsung.com/support) for more information about materials and repairs.

## Instructions about the WEEE

---



### Correct Disposal of This Product (Waste Electrical & Electronic Equipment)

(Applicable in countries with separate collection systems)

This marking on the product, accessories or literature indicates that the product and its electronic accessories (e.g. charger, headset, USB cable) should not be disposed of with other household waste at the end of their working life. To prevent possible harm to the environment or human health from uncontrolled waste disposal, please separate these items from other types of waste and recycle them responsibly to promote the sustainable reuse of material resources.

Household users should contact either the retailer where they purchased this product, or their local government office, for details of where and how they can take these items for environmentally safe recycling.

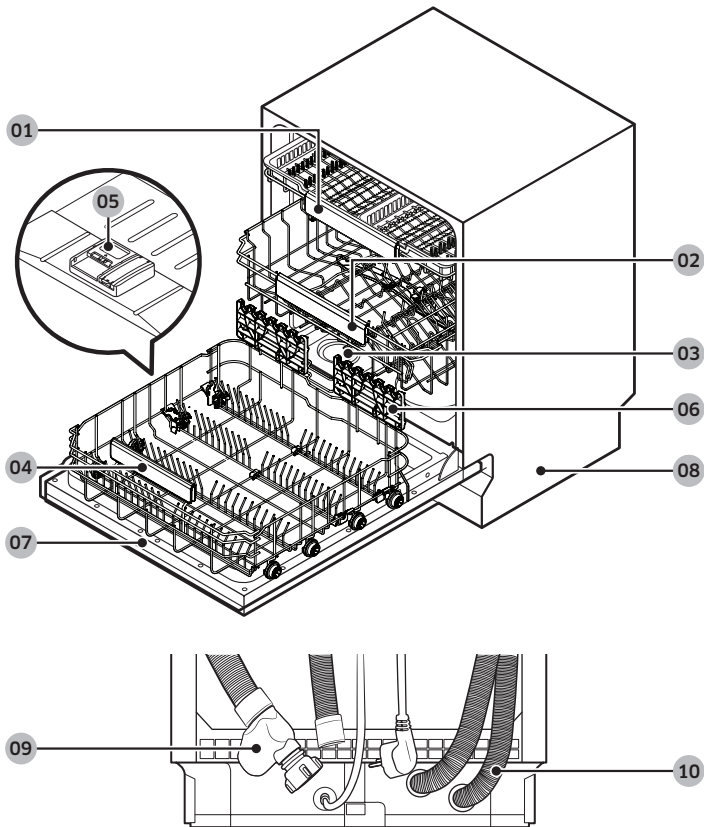
Business users should contact their supplier and check the terms and conditions of the purchase contract. This product and its electronic accessories should not be mixed with other commercial wastes for disposal.

For information on Samsung's environmental commitments and product regulatory obligations, e.g. REACH, visit our sustainability page available via [www.samsung.com](http://www.samsung.com)

# Product overview

## Dishwasher at a glance

DW70H73\*\*\*\* models



01 Cutlery rack

04 Lower rack

07 Door

10 Drain hose

02 Upper rack

05 Dispenser

08 Base

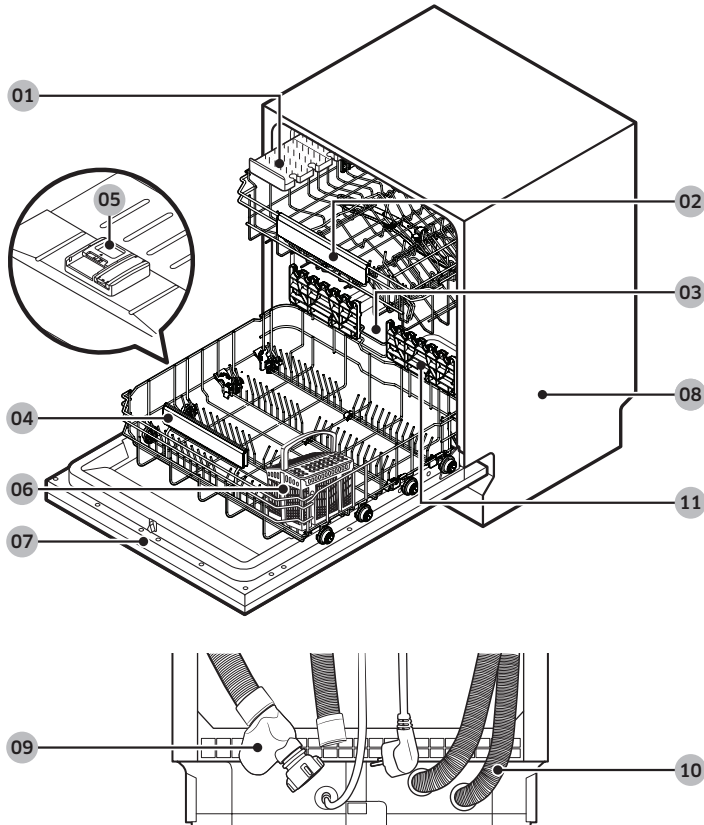
03 Salt storage

06 Glass support

09 Water hose

# Product overview

DW70H72\*\*\*\* models



01 Knife rack

04 Lower rack

07 Door

10 Drain hose

02 Upper rack

05 Dispenser

08 Base

11 Glass support

03 Salt storage

06 Cutlery basket

09 Water hose

# Preparing the installation

## Installation kit (provided)

Make sure all the parts listed in this section are enclosed with the product. The actual appearance of the parts may differ from the figures.

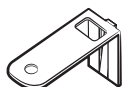
### CAUTION

After unpacking the dishwasher, keep packaging materials out of children's reach to ensure their safety.

### NOTE

The number inside the parenthesis is the provided quantity of the item.

### Fully built-in models (DW70H7\*\*\*B\* models)



Top bracket (2)



Ø4 X 14 screw (10)



Protective  
condensation sticker  
(1)



Plastic cap (2)



Ø3.5 X 45 screw (4)



Ø3.5 X 16 screw (2)



Door bracket (2)



Sub foot (3)



Custom panel fixer  
(wood panel holders, 2)



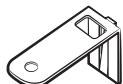
Ø3.5 X 25 screw (2)



Check Valve  
(Applicable models  
only)

# Preparing the installation

## Fully built-in models with sliding panel (DW70H7\*\*\*I\* models)



Top bracket (2)



Ø4 X 14 screw (14)



Protective condensation sticker (1)



Plastic cap (2)



Custom panel fixer (2)



Custom panel fixer (2)



Ø3.5 X 16 screw (2)

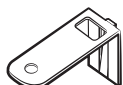


Sub foot (3)



Check Valve  
(Applicable models only)

## Semi built-in models (DW70H7\*\*\*S\* models)



Top bracket (2)



Ø4 X 14 screw (2)



Protective sticker (1)



Plastic cap (2)



Ø3.5 X 45 screw (4)



Ø3.5 X 16 screw (2)



Sub foot (3)



Hook-and-loop fastener (2)



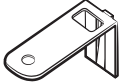
Spacer (6)



Check Valve  
(Applicable models only)

---

**Built under sink models (DW70H7\*\*\*U\* models)**



Top bracket (2)



Ø4 X 14 screw (2)



Protective  
condensation sticker  
(1)



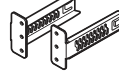
Plastic cap (2)



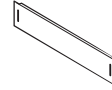
Ø3.5 X 16 screw (2)



Sub foot (3)



Kick plate brackets (2)



Kick plate



Kick plate bolt (4)



Kick plate nut (4)



Check Valve  
(Applicable models  
only)

# Preparing the installation

## Required tools and parts (not provided)



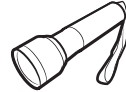
Hose clamp



Safety glasses



Gloves



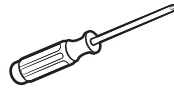
Flashlight



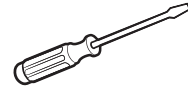
Wrench (22 mm) for the front foot



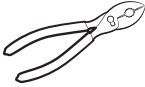
Torx T15 screwdriver



Phillips screwdriver



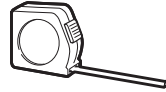
Flat-head screwdriver



Pliers



Nipper



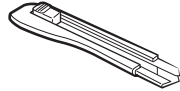
Tape measure



Pencil



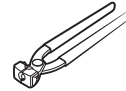
Level



Cutting knife



Hole saw (80-100 mm)



Ear clamp plier

---

## Installation requirements

---

To prevent a risk of fire, electric shock, or personal injury, all wiring and grounding must be done by a qualified technician.

### Power supply

An individual 220-240 V~, 50 Hz branch circuit that is dedicated to the dishwasher.

### WARNING

- Do not use an extension cord.
- You must only use the power plug that comes with the dishwasher.
- After the installation is complete, make sure the power plug is not bent or damaged.

### Grounding

For permanent grounding, the dishwasher must be properly grounded to a grounded metal or permanent wiring system. The grounding conductor must be run with the circuit conductors and then connected to the grounding terminal or lead on the dishwasher.

### WARNING

- Do not connect the ground wire to plastic plumbing, gas lines, or hot water pipes. Improperly connected grounding conductors may cause electric shock.
- Do not modify the power plug of the dishwasher. If the power plug does not fit the outlet, have a proper outlet installed by a qualified electrician.

### Water supply

- The water supply line must support water pressures between 0.04 and 1.0 MPa.
- Water temperatures must be lower than 60 °C.
- The stopcock / supply valve with a 3/4" male thread must be installed for the water supply connection.

### To reduce the risk of leaks:

- Make sure water taps are easily accessible.
- Turn the water supply valve off when the dishwasher is not in use.
- Check for any leaks at the water hose fittings on a regular basis.
- To stop any leak, seal the water line connections and joints using Teflon tape or a sealing compound.

### Aqua Stop

The Aqua Stop is an electrical component that is designed to prevent water leaks. The Aqua Stop is attached to the water hose and automatically cuts off the water flow in the event of damage to the hose.

### CAUTION

- Handle the Aqua Stop with care.
- Do not kink or twist the water hose connected to the Aqua Stop. If the Aqua Stop is damaged, shut off the water taps and unplug the power plug immediately. Then, contact a local Samsung customer centre or a qualified technician.

# Preparing the installation

---

## Drain

If you are using a drain system dedicated to the dishwasher, connect the drain hose to a drain system that is between 300 mm and 700 mm off the ground. Connecting the drain hose to a drain system more than 700 mm off the ground can cause the drained water to flow backward.

## Flooring

For safety, install the dishwasher on a solidly constructed floor. Wooden floors may need to be reinforced to minimise vibrations. Avoid installing on carpet or soft tiles. Carpeting and soft tile may cause vibrations and may cause your dishwasher to move slightly while operating.

## **WARNING**

Do not install the dishwasher on a poorly supported structure.

- Make sure the dishwasher is level using the height-adjustable feet.
- When levelling is complete, check if the door opens and closes properly.

## Ambient temperature

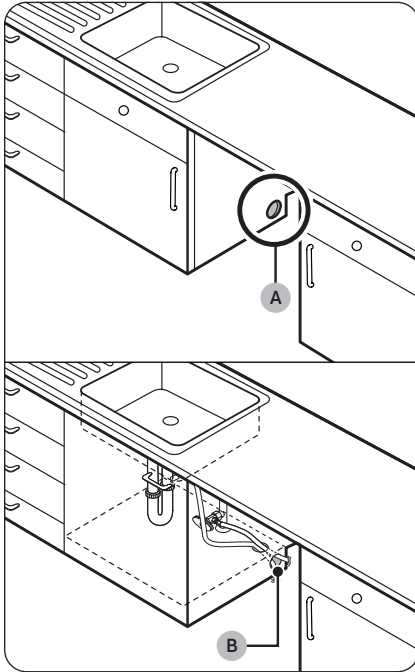
Do not install the dishwasher in an area exposed to freezing temperatures. The dishwasher always retains some water in the water valve, pump, and hose. If the water freezes in the dishwasher or hoses, it may damage the dishwasher and its components.

# Installation

## Step-by-step installation

The installation procedure may differ depending on the model.

### STEP 1 Select a location



#### Select a location that meets the following conditions.

- The location must have a solid floor that can support the weight of the dishwasher.
- The location must be near a sink with easy access to the water supply, drain system, and electrical outlet.
- The location must let you load dishes into the dishwasher easily.
- The location must have sufficient space for the dishwasher door to open easily and provide enough space between the dishwasher and the cabinet sides.
- The rear wall must be free of obstructions.

#### Installation in a new location

If you install the dishwasher in a new location, follow these instructions before installing the dishwasher.

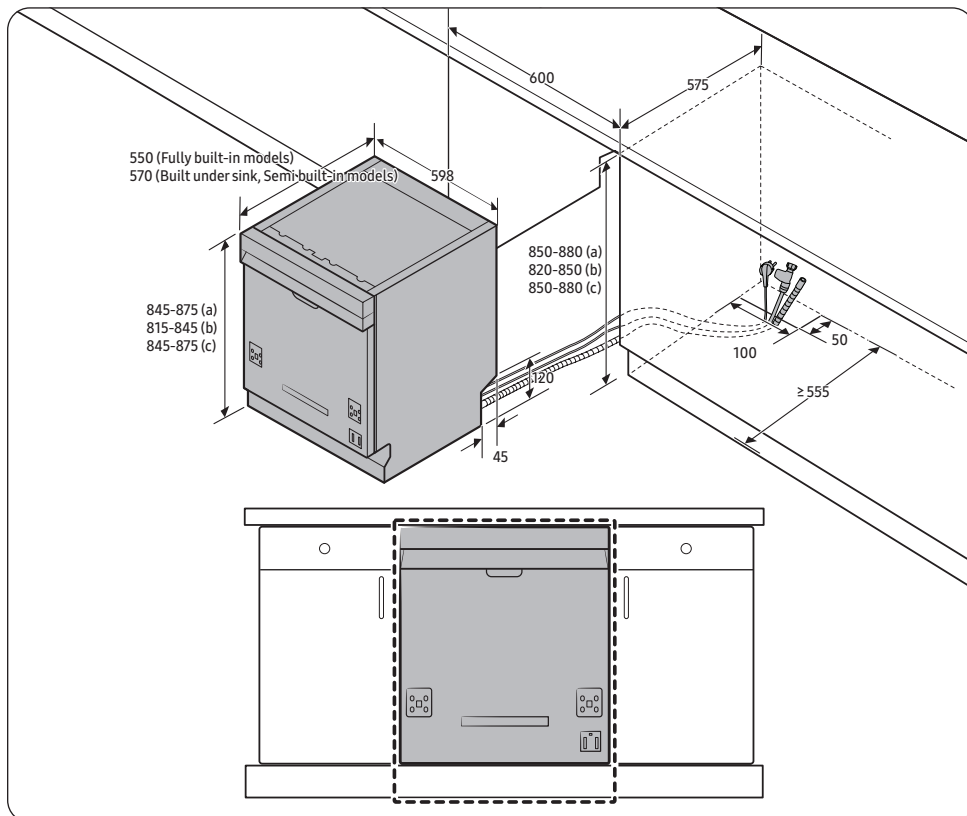
1. Using a hole saw, cut a hole into the side of the cabinet that holds the sink **(A)**.
2. If the base inside the sink cabinet is raised above the kitchen floor and is higher than the connections on the dishwasher, make a hole in the base inside the cabinet and in the cabinet side **(B)**.

#### NOTE

- If you are replacing an old dishwasher, check the existing connections for compatibility with the new dishwasher and replace the connections as needed.
- You may need to cut a hole in the opposite side of the cabinet according to the location of the electrical outlet.

# Installation

## Cut-out dimension



(unit: mm)

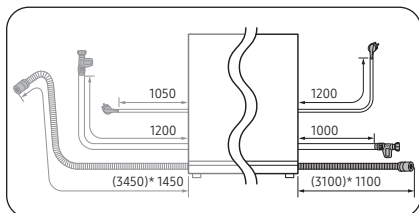
(a) Free standing models

(b) Built under sink, Fully built-in, Semi built-in models

(c) Built under sink, Fully built-in, Semi built-in models with sub-foot

### NOTE

Check if the distance between the floor and the bottom of the worktop is more than 850 mm. If so, insert the sub foot included in the installation kit. For details, see the next section. If the distance is less than 850 mm, skip to STEP 2.



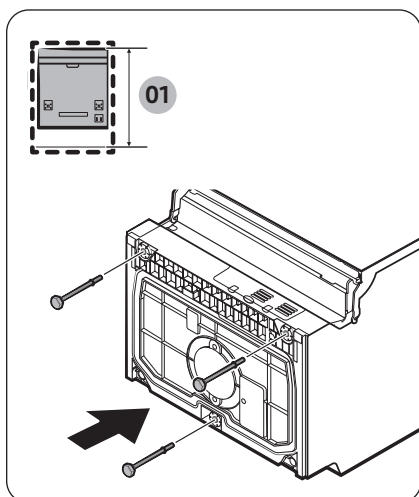
(\* ) values with extension kit

#### NOTE

The dimensions indicated in the figure represent the actual lengths of the power cord, water hose, and drain hose. When installing the product, consider each length and choose the installation location accordingly.

### STEP 2 Insert the sub foot (Not applicable for freestanding models)

If the distance between the floor and the bottom of the worktop is more than 850 mm, insert the sub foot into the hole on the bottom of the dishwasher before you start the installation.



01 Minimum 850 mm

1. Lay the dishwasher on its back.

#### CAUTION

Do not lay down the dishwasher on its side. Water may leak.

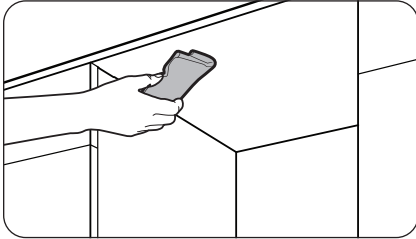
2. Find the sub foot in the installation kit, and then insert the sub foot into the hole on the bottom of the dishwasher as shown in the figure.

### STEP 3 Check the water line

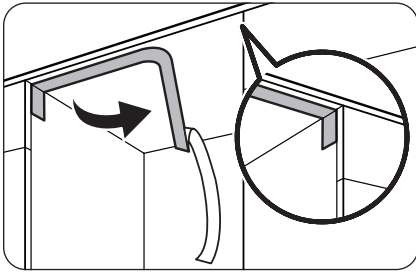
- The water line pressure must be between 0.04 and 1.0 MPa.
- Make sure that the water temperature does not exceed 60 °C. Hot water over 60 °C may cause the dishwasher to malfunction.
- Make sure that the water supply valve is turned off before connecting the water supply line to the dishwasher.

# Installation

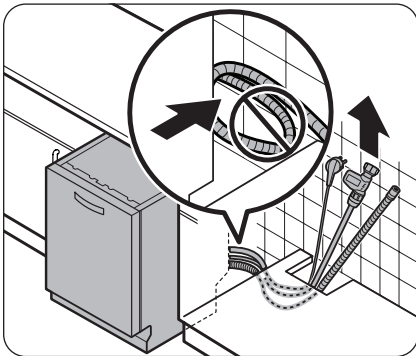
## STEP 4 Arrange the hoses



1. Clean the bottom of the countertop.



2. Attach the protective sticker as shown.



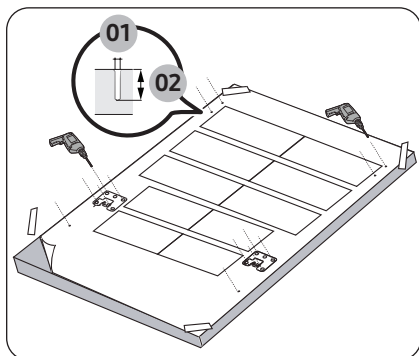
3. Pull the power plug, the water hose, and the drain hose through the sink hole.

### CAUTION

- Use caution not to kink or step on the power plug or the hoses.
- Do not remove the brown paper on the back of the dishwasher. The paper is used to keep the rear side clean against the wall.

## STEP 5 Install the custom panel

For fully built-in models (DW70H7\*\*\*B\* models)



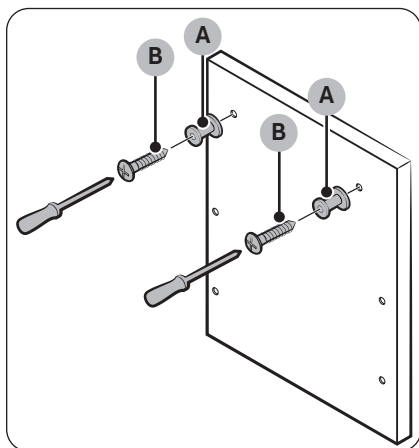
01  $\varnothing$ 2 mm

02 Maximum 8 mm

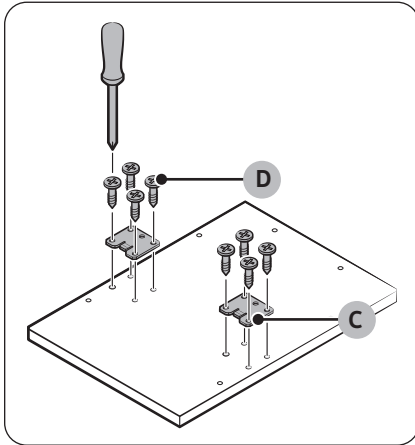
1. Place the installation template on the rear of the custom panel and fix it temporarily using transparent tape. The rear of the custom panel will be attached to the dishwasher door.

### CAUTION

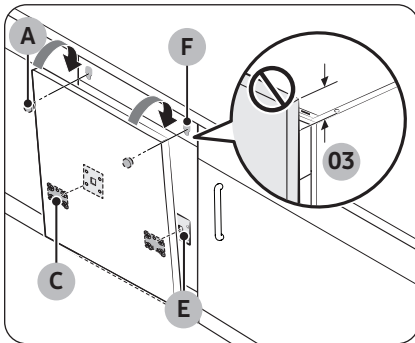
- The top end of the custom panel must be aligned with the top end of the installation template.
  - Use a custom panel between 3 kg and 7 kg.
  - Thickness of the custom panel is maximum 20 mm.
2. Mark 14 points guided on the installation template.
  3. Remove the installation template, and then tighten the **custom panel fixers (A)** with 2 screws (**B**,  $\varnothing$ 3.5 X 25) as shown in the figure.



# Installation



4. Tighten the **door bracket (C)** with **8 screws (D, Ø4 X 14)** as shown in the figure.

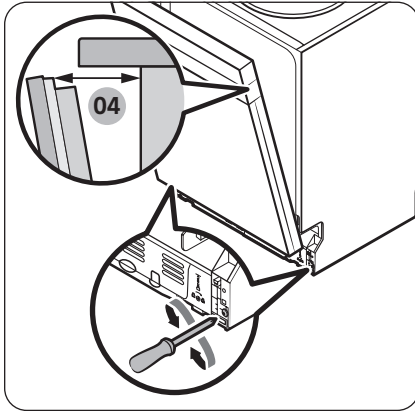


5. Insert the **door brackets (C)** on the custom panel to the **holes (E)** on the dishwasher door to fix the custom panel.
6. While holding the custom panel, attach it to the door and insert the **custom panel fixers (A)** into the **holes (F)** as shown in the figure.
7. Push the custom panel downward to fix.

03 30 mm

## ⚠ CAUTION

Do not let the custom panel extend more than 30 mm from the top of the dishwasher.

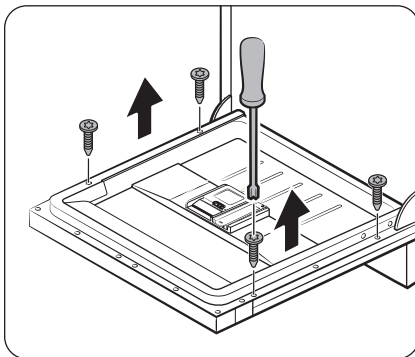


04 70-150 mm

8. The door should hold its position, and should not fall open.

### ⚠ CAUTION

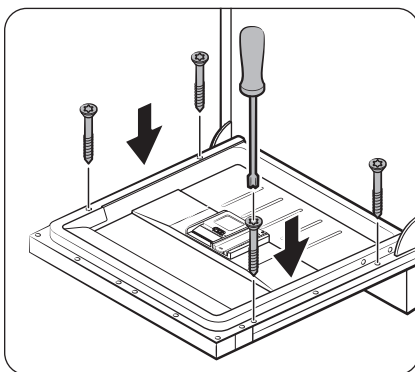
- Do not adjust the spring level while the door is completely opened.
- If the custom panel weighs more than 7 kg, the door may fall open.
- Custom panels weighing more than 7 kg are not recommended.



9. Open the dishwasher door and remove the 4 screws.

### ⚠ CAUTION

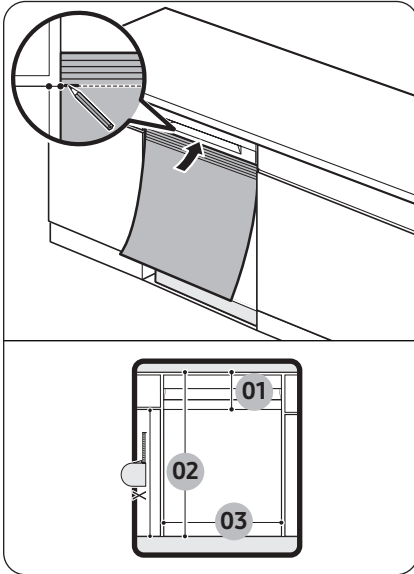
Use caution when opening the door. The door might open or close unexpectedly if the spring level is not adjusted appropriately, resulting in physical injury.



10. Secure the custom panel to the door by fastening the 4 screws (Ø3.5 X 45).

# Installation

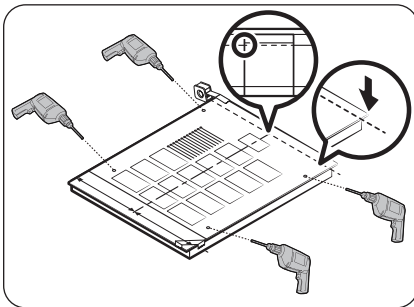
For semi built-in models (DW70H7\*\*\*S\* models)



01 minimum 116 mm, maximum 146 mm

02 maximum 710 mm

03 589 mm



1. Fully insert the dishwasher under the countertop.
2. Align the top of the installation template to the bottom of the dishwasher's door handle.
3. On the top side of the installation template, mark the spot at the top edge of a cabinet.

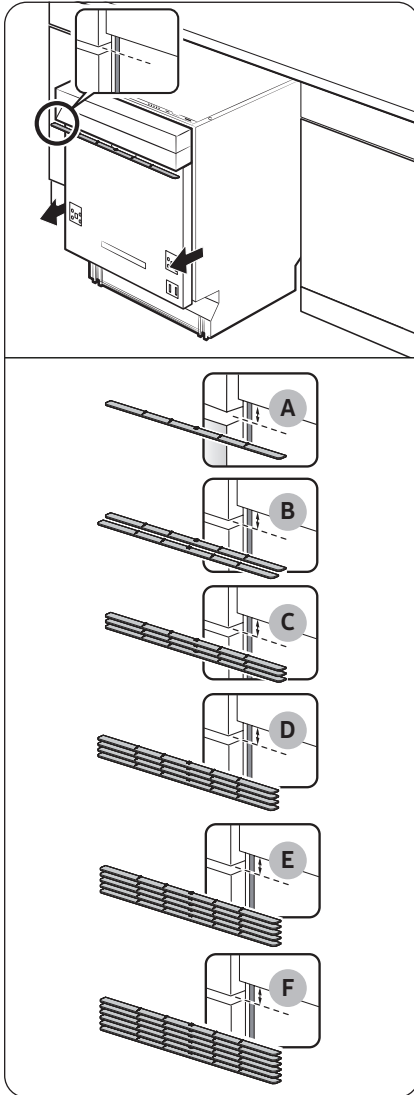
4. Put the installation template on the back of the custom panel. And align the marks on the installation template to the top edge of the custom panel.
5. Use transparent tape to temporarily fix the installation template to the custom panel.
6. On the custom panel, mark the location of the 4 screw holes according to the installation template.
7. Remove the installation template.

## NOTE

The rear of the custom panel will be attached to the dishwasher door. Please make sure that the height of the custom panel has to be max. 595 mm.

## CAUTION

Use a custom panel between 3 kg and 6 kg.



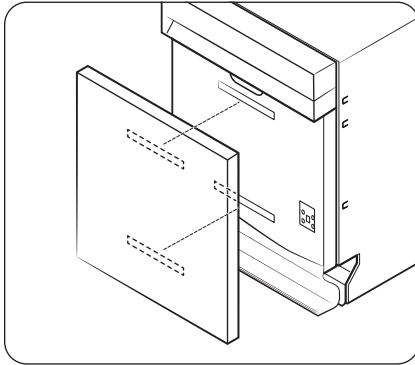
8. Pull out the dishwasher halfway from under the countertop.
9. Attach single or multiple spacers whose overall height fills the gap between the sink cabinet and the control panel.
  - The gap here is the same as the measurement in step 5 above.
  - For positioning and the number of spacers, see the figures and table.

|   |          |           |
|---|----------|-----------|
| A | 5-9 mm   | 1 spacer  |
| B | 10-14 mm | 2 spacers |
| C | 15-19 mm | 3 spacers |
| D | 20-24 mm | 4 spacers |
| E | 25-29 mm | 5 spacers |
| F | 30-34 mm | 6 spacers |

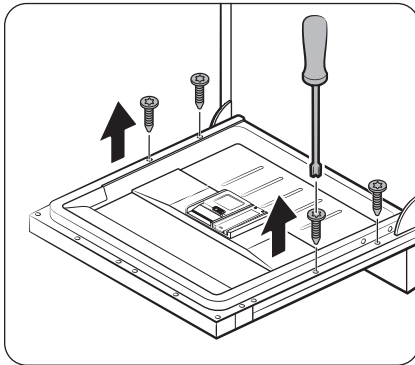
### CAUTION

Do not let the overall height of the spacers exceed the measured height difference. Otherwise, the custom panel may not fit.

# Installation



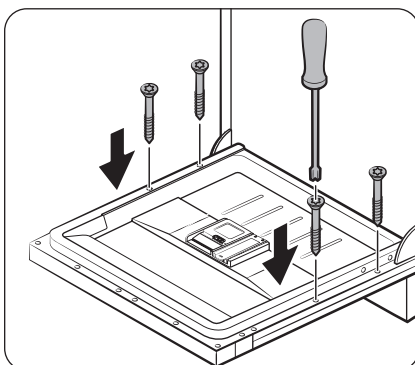
10. Attach the 2 pcs of hook-and-loop fastener on the door outer and the rear of the custom panel as shown in the figure.
11. Contact the hook-and-loop fasteners to fix the custom panel.



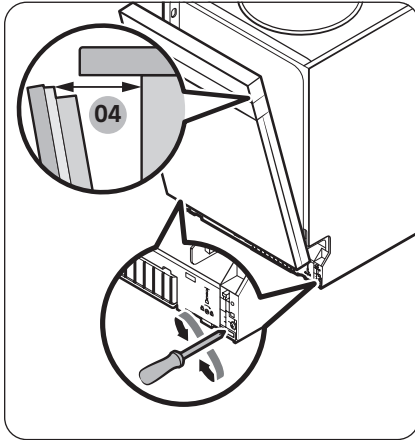
12. Open the dishwasher door and remove the 4 screws.

## CAUTION

Use caution when opening the door. The door might open or close unexpectedly if the spring level is not adjusted appropriately, resulting in physical injury.



13. Secure the custom panel to the door by fastening the 4 screws (Ø4 X 43).



04 70-150 mm

14. The door should hold its position, and should not fall open.

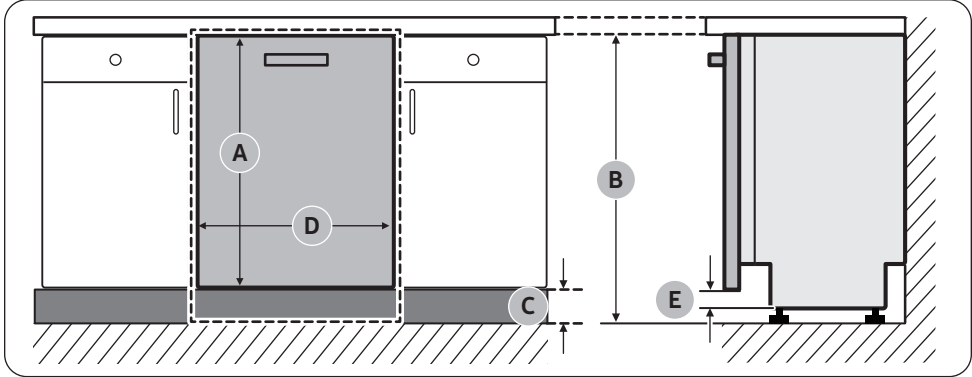
**⚠ CAUTION**

- Do not adjust the spring level while the door is completely opened.
- If the custom panel weighs more than 6 kg, the door may fall open.
- Custom panels weighing more than 6 kg are not recommended.

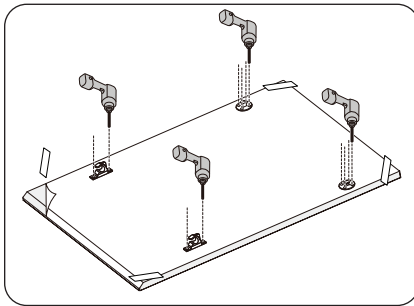
# Installation

## For fully built-in models with sliding panel (DW70H7\*\*\*I\* models)

This dishwasher model is equipped with an auto-balancing system in the door. It has a sliding hinge, which is perfect for plinth-less kitchens or for installation above a small cupboard. Custom panel's height (A) can be between minimum 670 mm to maximum 800 mm depending on the installation environment. Custom panel's weight must not exceed 10 kg. Refer to the table for the height (C) in relation to the cabinet's height (B), and then determine the height of the custom panel.



| A          | B      | C         | D      | E             |
|------------|--------|-----------|--------|---------------|
| 670-800 mm | 820 mm | 20-150 mm | 589 mm | Minimum 20 mm |
|            | 850 mm | 50-180 mm |        |               |
|            | 880 mm | 80-210 mm |        |               |



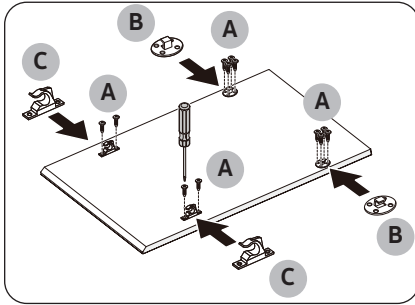
1. Place the installation template on the rear of the custom panel and fix it temporarily using transparent tape. The rear of the custom panel will be attached to the dishwasher door.
2. Mark 4 points guided on the installation template.

### NOTE

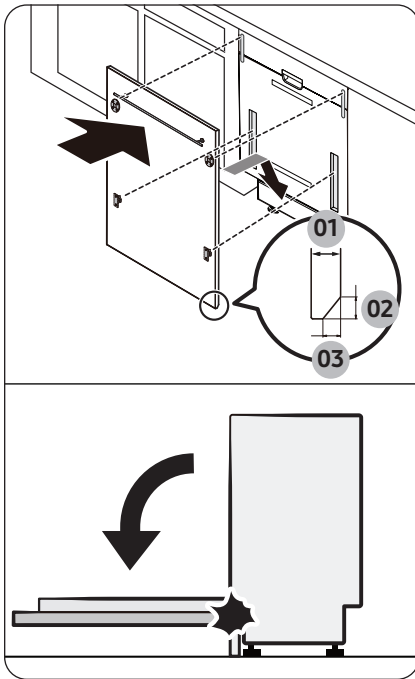
Custom panel's height can be between minimum 670 mm to 800 mm depending on the installation environment.

### CAUTION

Custom panel's weight must not exceed 10 kg.



3. Remove the installation template, and then tighten the **Custom panel fixers (B), (C)** with **12 screws (A)** as shown in the figure.



4. While holding the custom panel, attach it to the door and insert the Custom panel fixers into the corresponding holes at the door.

### ⚠ CAUTION

Use a custom panel between 4-10 kg. Make sure the skirting board does not interfere with the dishwasher's door opening and closing.

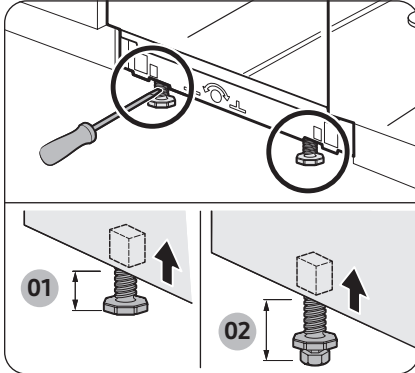
01 Maximum 20 mm

02 15 mm

03 12 mm

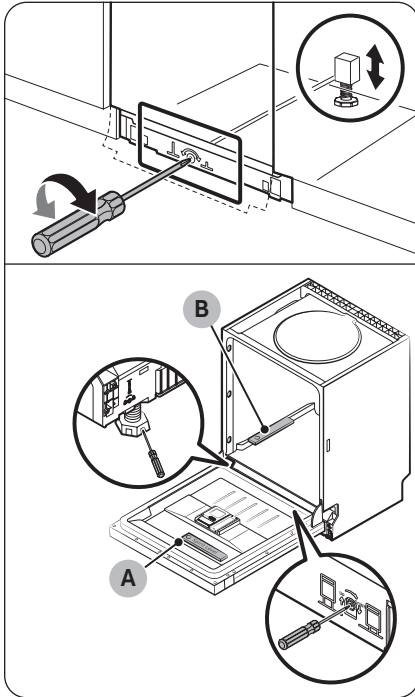
# Installation

## STEP 6 Level the dishwasher



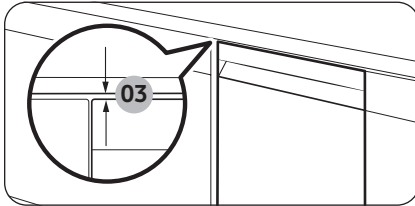
01 0-30 mm (without sub-foot)

02 0-60 mm (with sub-foot)



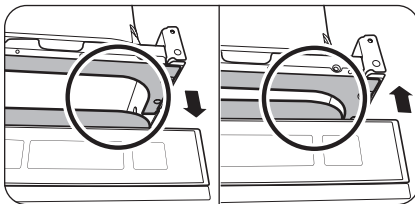
You can adjust the height of the dishwasher to level it. Note that in these steps, the dishwasher is currently inserted halfway.

1. Use the level to check if the dishwasher is level.
2. To adjust the front height, use a flat head(-) screwdriver.
  - To lower the height, turn the foot counterclockwise.
  - To raise the height, turn the foot clockwise.
3. To adjust the rear height, insert a cross head(+) screwdriver in the bottom centre of the dishwasher.
  - To lower the height, turn the screwdriver clockwise.
  - To raise the height, turn the screwdriver counterclockwise.
  - Place a spirit level on **door (A for checking a side-to-side level)** and **rack track (B for checking a front-to-back level)** track inside the tub as shown to check that the dishwasher is level.



03 Minimum 5 mm

4. Leave at least a 5 mm space between the top of the dishwasher and the bottom of the countertop.

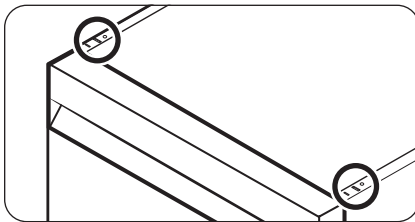


5. When levelling is complete, check if the door opens and closes properly.

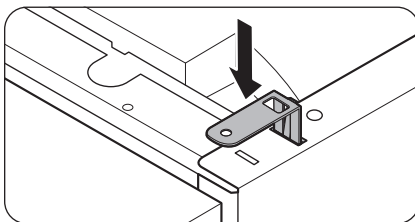
## STEP 7 Secure the dishwasher

You can use the brackets to secure the dishwasher to the countertop. Alternatively, you can drill the side holes to secure the dishwasher to the cabinet sides.

### To the countertop using the brackets

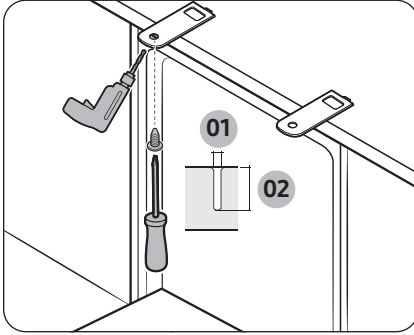


1. Insert the provided brackets into the top front holes of the dishwasher as shown.



2. Fully insert the dishwasher under the countertop.

# Installation



- 01  $\varnothing 2$  mm
- 02 Maximum 8 mm

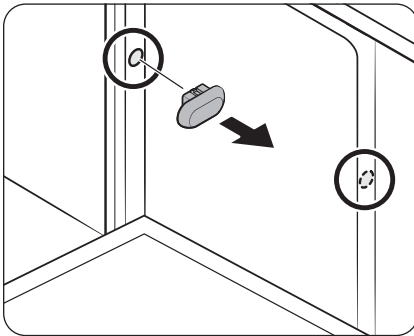
3. Tighten the 2 screws ( $\varnothing 4 \times 14$ ) to fix the brackets.

## NOTE

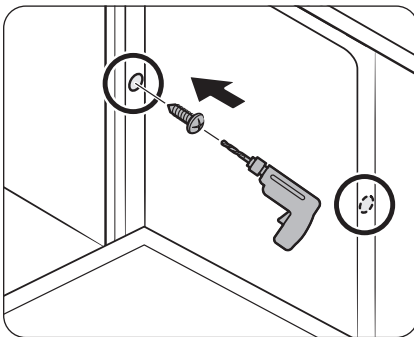
After fixing the dishwasher to the countertop, some screws remain. You can simply discard these screws, or use them to fix the sides of the dishwasher to the cabinet if you want to.

4. Connect the water hose, but do not open the water tap until installation is complete.

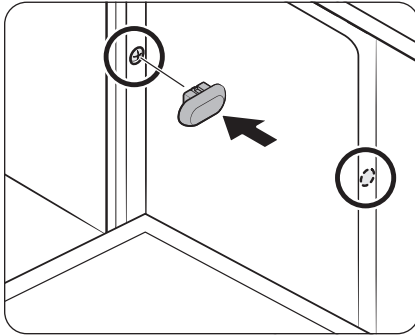
## To the sides



1. Remove the plastic caps.



2. Tighten the 2 screws ( $\varnothing 3.5 \times 16$ ) to the 2 places (marked on the illustration).



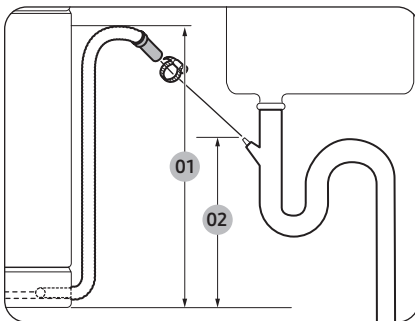
3. Insert the provided plastic caps to the 2 places where screws are fastened.

### ⚠ CAUTION

If the plastic caps are not assembled, water may leak and cause a fire or electric shock.

4. Connect the water hose, but do not open the water tap until installation is complete.

## STEP 8 Connect the drain hose



01 Max. 700 mm


02 Min. 300 mm

1. Connect the drain hose to the drain outlet.

### ⚠ CAUTION

- Install the drain system properly so that the drain hose does not come out of the drain outlet in the draining process.
- Make sure that the drain hose, supply hose, and power cord are not kinked or folded.

## STEP 9 Final check

1. Remove all foam, paper packaging, and unnecessary parts from inside the dishwasher.
2. Turn the power circuit breaker on.
3. Open the water supply valve to supply water to the dishwasher.
4. Plug in and turn the dishwasher on. Then, select and run the Express  cycle.
5. Check if the dishwasher turns on normally and if there are any water leaks while the dishwasher is operating. Make sure to check for water leaks on both ends of the water line and the drain hose connector.

# Installation

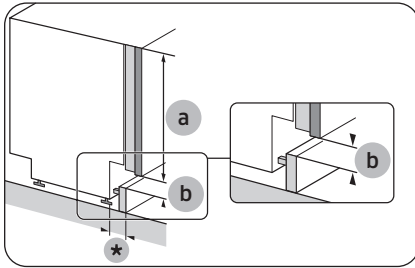
## Finalizing the installation

### Attaching the skirting board

You can attach the skirting board according to the model or installation conditions.

#### NOTE

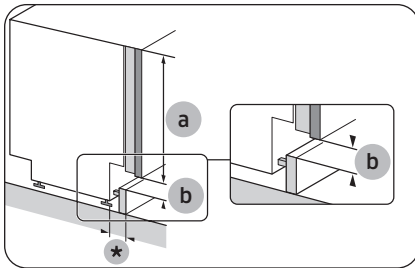
According to your **custom panel's height (a)**, you must leave a **gap (b)** between the custom panel and the skirting board.



\*: maximum 60 mm

| Fully built-in models |      |
|-----------------------|------|
| a                     | b    |
| 670                   | ≥ 35 |
| 690                   | ≥ 28 |
| 710                   | ≥ 23 |

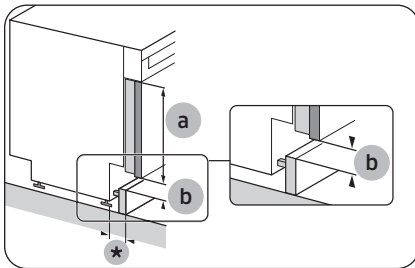
(unit: mm)



\*: maximum 60 mm

| Fully built-in models with sliding panel |     |
|--|-----|
| a  | b   |
| 670-800                                  | ≥ 5 |

(unit: mm)

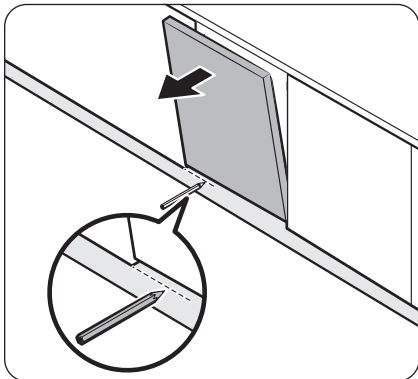


\*: maximum 60 mm

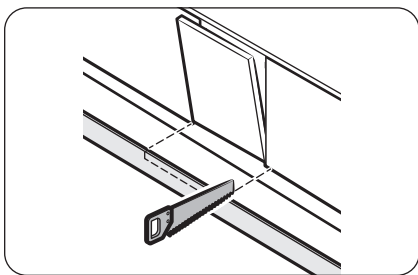
| Semi built-in models |      |
|----------------------|------|
| a                    | b    |
| 554                  | ≥ 35 |
| 574                  | ≥ 28 |
| 594                  | ≥ 23 |

(unit: mm)

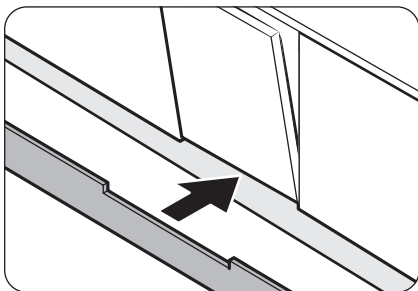
## Custom skirting board



1. Put the skirting board on the bottom of the dishwasher.
2. Open the door of the dishwasher, and draw a baseline on the skirting board where it interferes with the door.



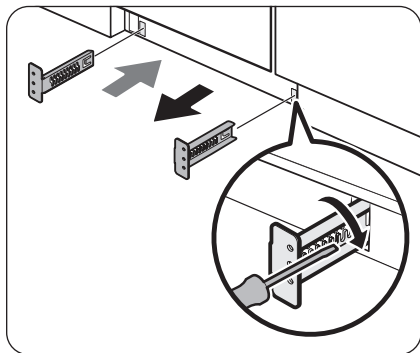
3. Follow the baseline and cut the skirting board using a saw.



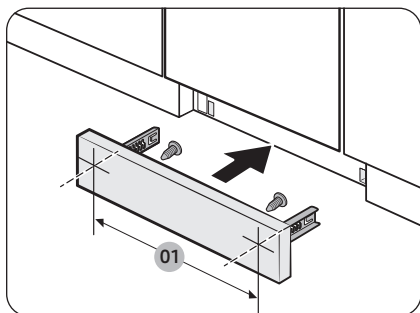
4. Attach the cut skirting board to the bottom of the dishwasher. Make sure the skirting board does not interfere with the dishwasher's door opening and closing.

# Installation

## Pre-cut skirting board (Applicable to DW70H7\*\*\*U\* models only)



1. Insert the provided brackets to the bottom of the dishwasher. Turn them into position.
  - See the figure on the left for the correct attaching sequence and place of the brackets.

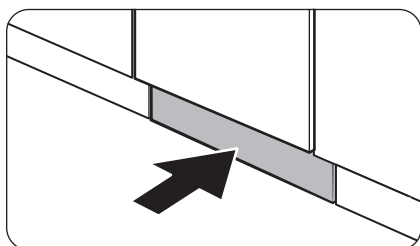


01 545.4 mm

2. Insert the pre-cut skirting board into the brackets first, and then tighten the screws to fix the board. See the figure on the left and make sure the brackets are positioned in the correct place.

### CAUTION

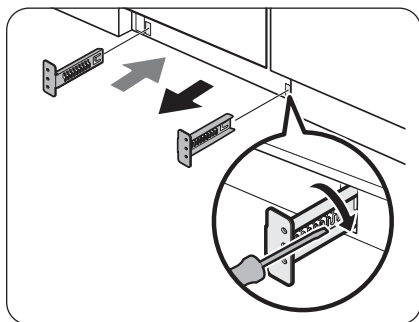
Make sure the skirting board does not interfere with the dishwasher's door opening and closing.



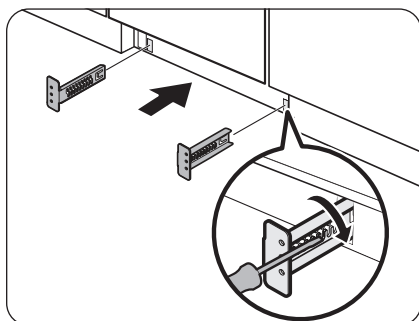
3. Push the skirting board with the brackets into the bottom of the dishwasher as shown.

## Attaching the kickplate (Applicable to DW70H7\*\*\*U\* models only)

If you want to install the kickplate, follow these instructions.



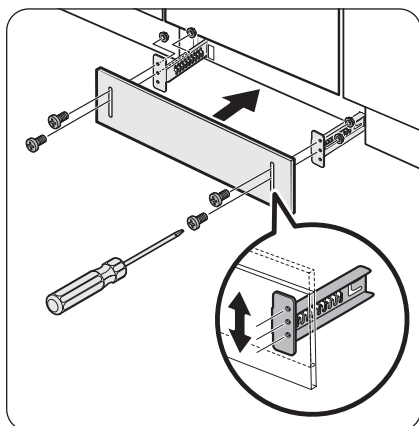
1. Insert the provided brackets to the bottom of the dishwasher. Turn them into position.
  - See the figure on the left for the correct attaching sequence and place of the brackets.



2. Insert the kick plate into the brackets first, and then tighten the 4 kick plate bolts and nuts to fix the kick plate.

### NOTE

If the dishwasher is raised by levelling the foot, move kick plate down so that the kick plate fits in bottom.



3. Push the kick plate with the brackets into the bottom of the dishwasher as shown.

### CAUTION

Make sure the kick plate does not interfere with the dishwasher's door opening and closing.

# SmartThings

---

## Wi-Fi connection

---

On your phone, go to Settings and connect to your home Wi-Fi network.

## Download

---

On an app market (Google Play Store, Apple App Store, Samsung Galaxy Apps), find the SmartThings app with a search term of “SmartThings”. Download and install the app on your device.

## Log in

---

You must first log into SmartThings with your Samsung account. To create a new Samsung account, follow the instructions on the app. You don't need a separate app to create your account.

### NOTE

If you have a Samsung account, use the account to log in. A registered Samsung phone user automatically logs in.

## Wi-Fi Off

---

To manually turn the Wi-Fi off, tap and hold **Sanitize** and **Smart Control** for 3 seconds at the same time.

## To register your device to SmartThings

---

1. Make sure your phone is connected to a wireless network.
2. Select to run **SmartThings** on your phone.
3. When a message of “**A new device is found.**”, select **Add**.
4. If no message appears, select **+** and select your dishwasher in a list of devices available. If your dishwasher is not listed, select **Device Type > Specific Device Model**, and then add your dishwasher manually.
5. Follow the onscreen instructions to complete the connection process for your dishwasher.
6. When the process is complete, your dishwasher will appear in the list of devices on your SmartThings App.
7. For iPhone users to access the SmartThings app, they need to scan the QR code or enter the serial number provided below the QR code.

---

## Dishwasher app

---

Integrated control: You can monitor and control your dishwasher both at home and on the go.

- Select the dishwasher icon on SmartThings. The dishwasher page appears.
- Check the operation status or notifications related to your dishwasher, and change options or settings if necessary.

### NOTE

- This device is designed for household use only (Class B), and can be used in all residential areas.
- This device may cause wireless interference, and neither the manufacturer nor the installer of this device can provide a safety measure of any kind.
- Recommended encryption methods are WPA/TKIP and WPA2/AES. Newly developed Wi-Fi protocols or unapproved Wi-Fi protocols are not supported.
- The reception sensitivity of a wireless network may be affected by surrounding wireless environments.
- If your Internet provider has registered the MAC address of your PC or the modem module for permanent use, your Samsung dishwasher fails to connect to the Internet. If this happens, contact your Internet provider.
- The Internet firewall may interrupt your Internet connection. If this happens, contact your Internet provider.
- If Internet failure continues after following the measurement of your Internet provider, contact a local Samsung retailer or service centre.
- For installing wired and wireless routers, refer to the user manual of the router you use.
- Samsung dishwasher supports the Wi-Fi 2.4 GHz protocols.
- Samsung dishwasher supports the IEEE802.11 b/g/n (2.4 GHz), Soft-AP protocols. (IEEE802.11n is recommended)
- An unapproved wired/wireless router may fail to connect to Samsung dishwasher.
- The SmartThings app is available on Android and iOS devices. The app is optimised for Samsung phones.
- Some functions of the app may operate differently on third-party devices.
- The app is subject to change without notice for improved performance.
- In addition, further updates on the app or the function in the app may stop caused by usability and security reasons, even if updates are currently supported on your OS.
- Your device uses non-harmonised frequency and is intended for use in all European countries. The WLAN can be operated in the EU without restriction indoors, but cannot be operated outdoors in France.
- You can easily install the SmartThings app or use the product with your phone by scanning the QR code on the attached label.
- Hereby, Samsung Electronics, declares that the radio equipment type appliance is in compliance with Directive 2014/53/EU. The full text of the EU declaration of conformity is available at the following internet address: The official Declaration of conformity may be found at <http://www.samsung.com>, go to **Support > Search Product Support** and enter the model name.
- The overall standby power consumption is 2.0 W in which all network ports stay in “on” condition.
  - Data determined according to standard EN 50564 and Regulation (EC) No 1275/2008


| Wi-Fi               |                         |
|---------------------|-------------------------|
| Frequency range     | Transmitter power (Max) |
| 2412 MHz - 2472 MHz | 20 dBm                  |

## SmartThings functions

| Category     | Function           | Description  |
|--------------|--------------------|--|
| Monitoring   | Washing status     | You can check the current cycle and its options, and the remaining cycle time.   |
|              | Smart Control      | The Smart Control status is shown for the dishwasher.  |
|              | Energy monitoring  | Use this to monitor the energy consumption status.   |
| Control      | Start/Pause/Cancel | Select a cycle and necessary options, and then select Start/Pause/Cancel to start an operation, to stop temporarily, or to cancel the current operation. |
|              | My Favorite        | Add frequently used cycles and options to My Favorite for later use.   |
|              | Delay Start        | Set Delay Start to start the cycle at a scheduled time (up to 24 hours).   |
| Notification | Cycle completed    | Notifies you when the current cycle is complete.   |
|              | Detergent          | Notifies you if the dishwasher is out of rinse aid.  |

---

## WSN

1. How to access: tap and hold **Start** ▷ in AP mode. (To enter the AP mode, tap and hold **Smart Control**  for 3 seconds.)
2. Display format
  - After receiving WSN data from WiFi module, “-” + first 2 digits are displayed and next 3 digits are displayed by every **Start** ▷ button tapping.
  - Beep is generated when the **Start** ▷ button is tapped for displaying digits.
  - Display example : “-” for the starting display  
ex) WSN : “01234567897835”



01 - 234 - 567 - 897 - 835

# Before you start

---

## Unsuitable items for the dishwasher

---

### **WARNING**

Only wash items such as glass, porcelain, and cutlery which the manufacturer declares as dishwasher safe. Do not wash aluminium (for example grease filters). The dishwasher may damage aluminium, or in extreme cases, cause a severe chemical reaction.

#### **Do not wash the following items in the dishwasher.**

- Copper, brass, tin, ivory, and aluminium items or items with adhesive
- Non-heat resistant plastics
- Craft items, antiques, valuable vases, and decorative glassware
- Pottery or glazed-ceramic items
- Wooden or silver tableware or items that includes wooden or silver parts
- Delicate glassware or glassware containing the lead crystal. Clouding may occur on the glassware after frequent washing.

### **CAUTION**

- Do not wash items that are covered with ash, sand, wax, lubricating grease, or paint. These materials will damage the dishwasher. Ash does not dissolve and will spread inside the dishwasher.
- Remove food remains such as bones, fruit seeds, etc. and waste such as toothpicks, paper napkins, etc. from your dishes. Food remains and waste can make noise, cause the dishwasher to malfunction, and damage your dishes and dishwasher.

### **NOTE**

Silverware that has contacted foods containing sulphur may become discoloured. Food with sulphuric content include egg yolks, onions, mayonnaise, mustard, fish, fish brine, and marinades.

---

## Basic use of racks

---

### NOTE

Depending on the models, the actual appearance of the racks and the loading method may differ from the figures.

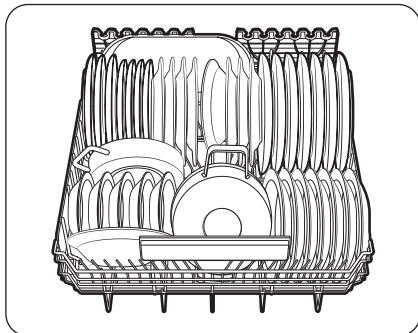
### Loading the lower rack

We recommend that you place large items, that are difficult to clean (such as pots, pans, lids, serving dishes and bowls), in to the lower rack.

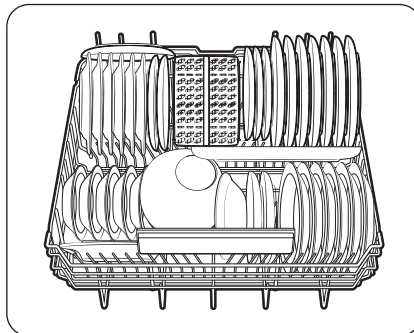
It is preferable to place serving dishes and lids on the side of the racks in order to avoid blocking the rotation of the upper nozzle. Pots, serving bowls, etc. must always be placed top down.

Deep pots should be slanted to allow water to flow out.

The lower rack features folding tines to easily load larger pots and pans.



DW70H73\*\*\*\* models



DW70H72\*\*\*\* models

### NOTE

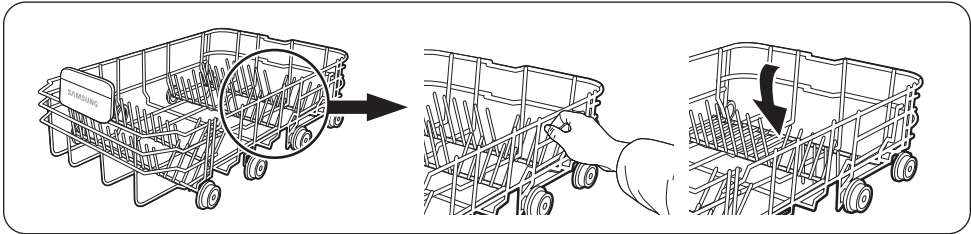
Long items, serving cutlery, salad servers and big knives should be placed on the shelf so that they do not obstruct the rotation of the nozzles.

# Before you start

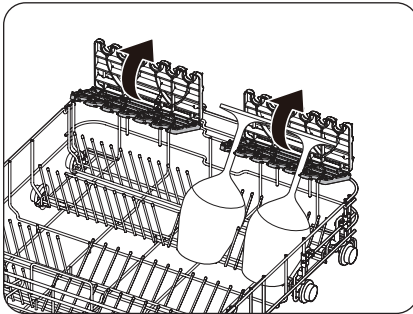
## Using the tines

Fold or unfold the tines depending on the items you load.

Fold them for better stacking of pots and pans and unfold them to load items such as dishes.



## Using the glass support

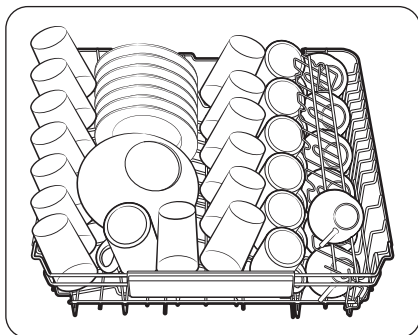


The glass support is especially suited for wine glasses. Hang wine glasses onto the pegs of the glass support. Fold the glass support back when it is not being used.

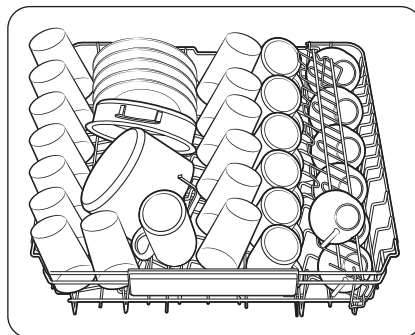
---

## Loading the upper rack

The upper rack is designed to hold more delicate and lighter dishware such as glasses, coffee and tea cups and saucers, as well as plates, small bowls and shallow pans (as long as they are not too dirty). Position the dishes and cookware so that they will not get moved by the spray of water. Always place glasses, cups & bowls upside down.



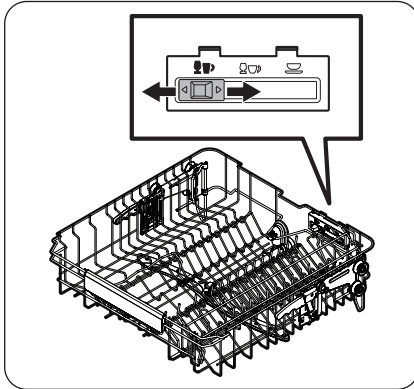
DW70H73\*\*\*\* models



DW70H72\*\*\*\* models

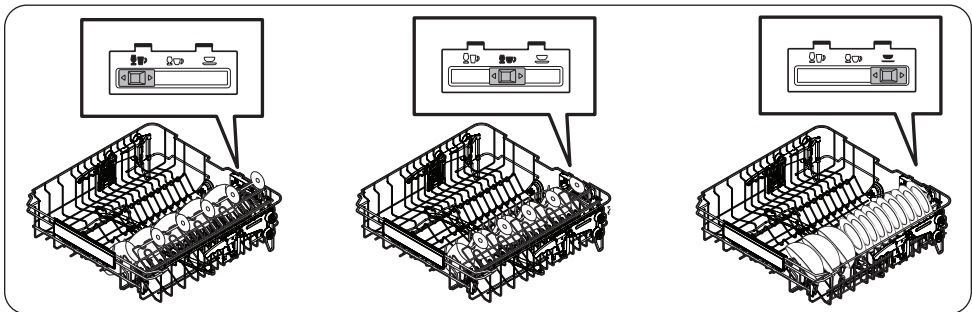
# Before you start

## Using the guide tines



Upper rack

You can load dishes into the central rack in various ways by changing the guide tines. If the guide button is moved to the left, you can load standard wine glasses. If the guide button is in the middle, you can load shorter wine or brandy glasses. If the guide button is on the right, you can load bowls and plates.

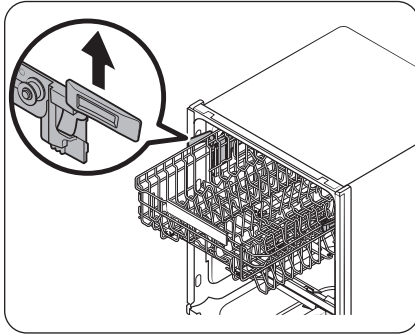


### Adjusting the position of the upper rack

You can adjust the height of the upper rack so that the lower rack can accommodate larger sized dishes. Depending on the height of the upper rack, the lower rack can accommodate plates up to 30 cm in diameter, and the upper rack can accommodate plates up to 18 cm (with Cutlery rack) or 25 cm (without Cutlery rack) in diameter.

### CAUTION

- Pull out the upper rack completely and adjust its height before loading dishes. Adjusting the rack after loading the dishes may damage the dishes.
- Make sure to hold both handles when adjusting, or the dishwasher door may not close properly.



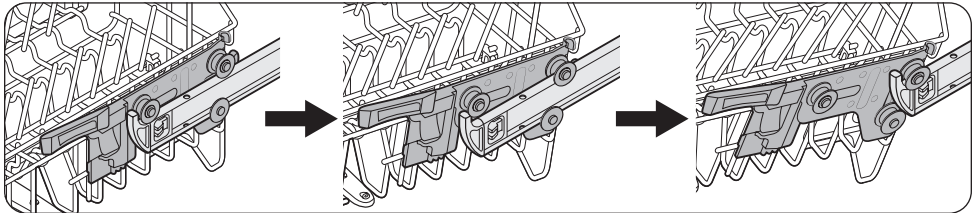
- To raise the upper rack, pull the upper rack upwards. The adjustable handle will latch, and the upper rack will raise.
- To lower the upper rack, hold both the adjustable handles located at the left and right sides of the upper rack, and then evenly press down.

### Removing the upper rack

### CAUTION

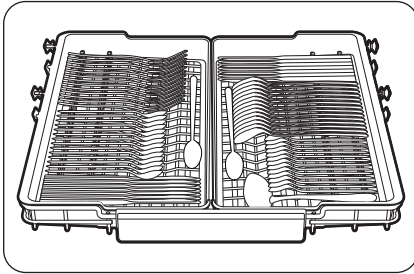
- Do not operate the dishwasher without the upper rack. Otherwise, noises occur and the dishwasher does not operate properly.
- Because the upper rack is removable, insert the upper rack properly to ensure the dishwasher operates normally.

Pull the upper rack to the front until it is fully extended, and then lift it slightly to remove. See the following figures.



# Before you start

## Loading the cutlery rack (Applicable to DW70H73\*\*\*\* models only)



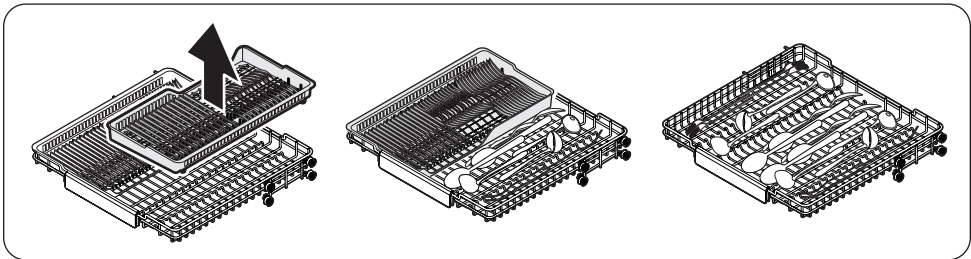
The cutlery rack is best for flatware and cooking or serving utensils. Use the cutlery rack to organize flatware or utensils.

### NOTE

The cutlery rack can be removed if you need more space on the upper rack to clean larger items.

## Removing the cutlery rack tray

You can easily unload cutlery from a removable tray in the upper rack. You can also remove the left or right tray to load relatively larger utensils. Both trays are removable.



---

## Detergent compartment

---

All dishwasher cycles require detergent in the detergent compartment. Apply detergent as recommended for the selected cycle to ensure best performance.

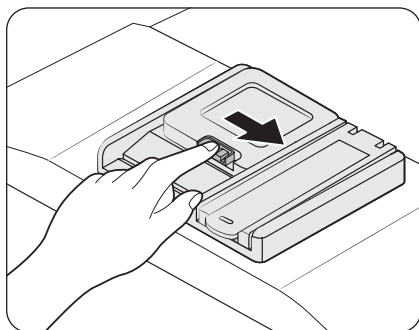
### **WARNING**

- Do not place dishwasher detergent in your mouth. Avoid breathing in detergent fumes. Dishwasher detergent contains irritants and caustic chemicals that can induce respiratory conditions. If you have consumed dishwasher detergent or inhaled detergent fumes, seek medical attention immediately.
- Keep dishwasher detergent out of children's reach.

### **CAUTION**

- Use dishwasher detergent only. Other types of detergent produce excessive foam, which may decrease the dishwasher's performance or cause it to malfunction.
- The dishwasher may not wash well if there is not much detergent. For normally soiled items, we recommend 20-25 grams; however, this may differ depending on the detergent manufacturer, so please follow that manufacturer's recommendations.

### Filling the detergent



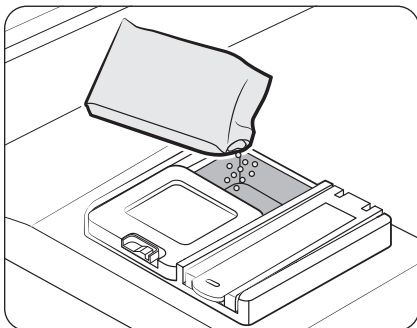
1. Open the detergent dispenser cap by pushing the detergent dispenser catch to the right.

#### **NOTE**

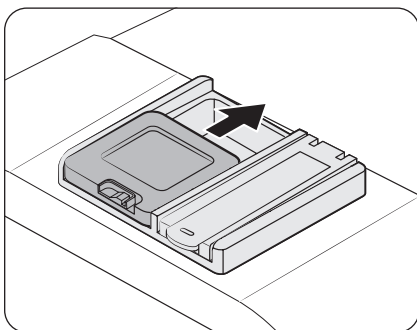
The cap remains open at the end of a cycle.

## Before you start

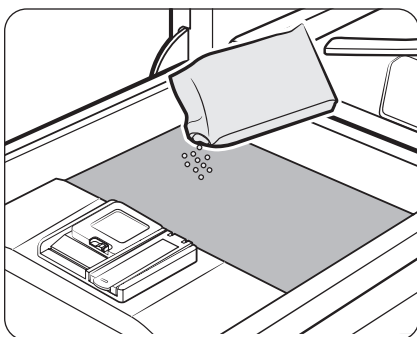
---



2. Add the recommended amount of detergent to the main wash detergent compartment.



3. Close the lid by sliding it up.



4. If the items are heavily soiled, pour a small amount of detergent onto the door for better cleaning results.

**NOTE**

The additional detergent will activate during the pre-wash process.

The cover opens automatically to dispense the detergent during the wash.

---

## Rinse aid compartment

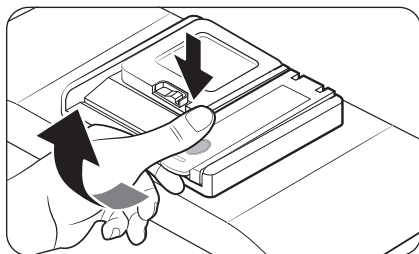
---

- Rinse aid improves the drying performance of the dishwasher.
- Refill the rinse aid compartment when you get a rinse refill alert message on the control panel.
- Only use a liquid rinse aid. A Powdered rinse aid will clog the opening of the compartment causing the dishwasher to malfunction.

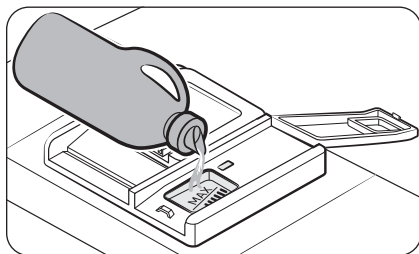
### CAUTION

- Do not apply any type of detergent to the rinse aid compartment.
- Do not excessively fill the rinse aid compartment as it may overflow during a cycle.

### Filling the rinse aid



1. Open the rinse aid compartment cover.
  - While pressing the circular section on the cover, lift the cover to open it.



2. Fill the rinse aid compartment with the rinse aid.

### CAUTION

Do not fill the rinse aid over the max line in the compartment. Excess rinse aid can overflow during the wash cycle.

3. Close the rinse aid compartment cover.

## Salt storage

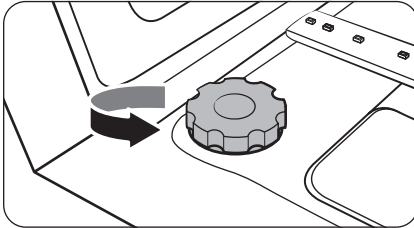
---

### CAUTION

- Use dishwasher-specific salt only. Do not use any other type of salt or solvent as it may damage the salt storage and the water softening system.
- To prevent corrosion caused by an excessive amount of salt or salty water, always fill the salt storage before a washing cycle gets started.

# Before you start

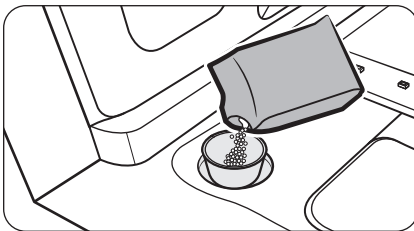
## Filling the salt storage



1. Open the door.
2. Turn the cap counterclockwise to open.

### NOTE

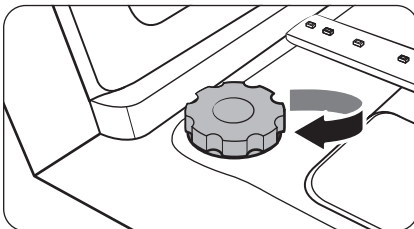
When you open the salt storage lid, water inside the storage may flow out.



3. Fill the salt storage using the supplied funnel with water (only required when using the dishwasher for the first time).
4. Fill the dishwasher salt into the salt storage.


### CAUTION

- The maximum capacity is about 1 kg. Do not exceed the capacity.
- Exceeding the capacity may affect the dishwasher's performance.





5. Turn the cap clockwise to close.

### NOTE

- Ensure the cap is closed tightly to prevent salt leakage and potential rusting.
- Depending on the size of the salt grains, it may take a while for the salt to dissolve and the  indicator to turn off.

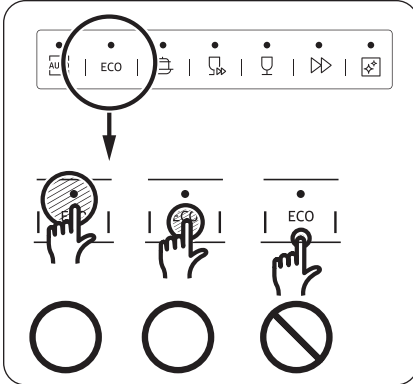
### CAUTION

Start a washing program immediately after adding the salt. (Or, run the Express  cycle to clean salt and salt water from the dishwasher.)

- Failure to do so may result in damage to the machine, such as tub rusting, and may void the warranty.
- Do not use Pre Wash  to clean salt and salt water.

## Touchpad responsiveness

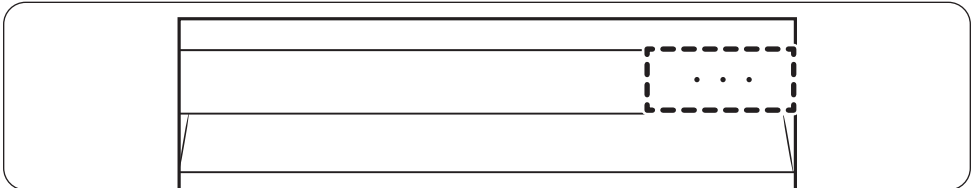
To prevent the touch-enabled controls from losing responsiveness, follow these instructions.



- Touch the centre of each button with one finger.
- Do not touch more than one button at a time, except as directed.
- Clean the surface of the control panel regularly with a soft, damp cloth.

## Operation status indicators

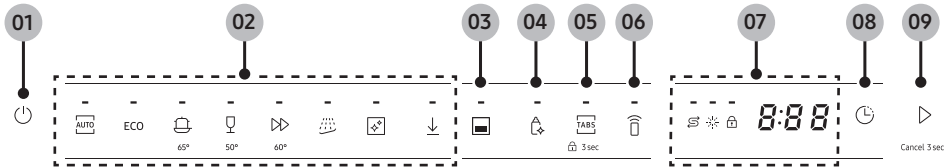
Three indicators at the front top right corner indicate the current operation status of the dishwasher.



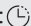



| Status   | Indicator ( ● : On / ○ : Off) | Description                         |
|----------|-------------------------------|-------------------------------------|
| Washing  | ● ○ ○                         | The washing process is in progress. |
| Rinsing  | ● ● ○                         | The rinsing process is in progress. |
| Drying   | ● ● ●                         | The drying process is in progress.  |
| Complete | ○ ○ ○                         | The operation is complete.          |

# Operations




## Control panel



|                         |  |
|-------------------------|--|
| <b>01 Power</b>         | <ul style="list-style-type: none"> <li>Tap this button to turn the dishwasher on or off.</li> </ul>  |
| <b>02 Cycles</b>        | <ul style="list-style-type: none"> <li>You can select the desired wash cycle.                     <ul style="list-style-type: none"> <li>For more information on the wash cycles, see the <b>"Cycle overview"</b> section on page 58.</li> </ul> </li> </ul>   |
| <b>03 Lower Rack</b>    | <ul style="list-style-type: none"> <li>You can turn the Lower Rack  option on or off.                     <ul style="list-style-type: none"> <li>Use this option to run a wash cycle with fewer items, using only the lower rack.</li> <li>This option is not available with the Pre Wash , Machine Care , Plastic*, Pots &amp; Pans* and Baby Care* cycles.</li> </ul> </li> </ul> <p>*: Downloaded cycle</p>   |
| <b>04 Sanitize</b>      | <ul style="list-style-type: none"> <li>You can turn the Sanitize  option on or off.                     <ul style="list-style-type: none"> <li>Use this option to increase the water temperature up to 70 °C in the final rinse process for high-temperature sanitization.</li> <li>This option is not available with the Pre Wash , Machine Care , Plastic* , Pots &amp; Pans* and Baby Care* cycles.</li> </ul> </li> </ul> <p>*: Downloaded cycle</p> |
| <b>05 Multi Tab</b>     | <ul style="list-style-type: none"> <li>You can turn the Multi Tab  option on or off.                     <ul style="list-style-type: none"> <li>Use this option to use the 3 in 1 tablet which does not need salt and rinse aid.</li> <li>This option is not available with the AUTO , Pre Wash , Machine Care , Plastic* , Pots &amp; Pans* and Baby Care* cycles.</li> </ul> </li> </ul> <p>*: Downloaded cycle</p>                                    |
|                         | <p><b>Control Lock</b> </p> <p>Tap and hold this button for 3 seconds to activate the Control Lock function. For more information, see the <b>"Control Lock"</b> section on page 64.</p>   |
| <b>06 Smart Control</b> | <ul style="list-style-type: none"> <li>You can turn the Smart Control  option on or off.                     <ul style="list-style-type: none"> <li>Turning on the Smart Control  option allows remote access to the dishwasher.</li> </ul> </li> </ul>  |

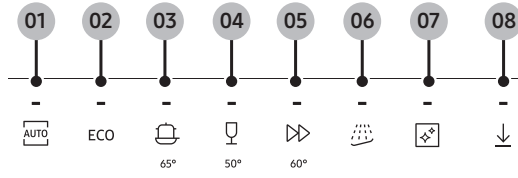
|   |   |
|---|---|
| <b>07 Display</b>   | <ul style="list-style-type: none"> <li>You can check various information on the display. <ul style="list-style-type: none"> <li>You can check the operation time of each cycle, remaining operation time, alert icons, information codes, etc.</li> <li>For more information on the icons, see the “<b>Icon descriptions</b>” section on page <b>57</b>.</li> <li>For more information on the information codes, see the “<b>Information codes</b>” section on page <b>74</b>.</li> </ul> </li> </ul>   |
| <b>08 Delay Start</b>              | <ul style="list-style-type: none"> <li>You can start the dishwasher operation at a desired time. <ul style="list-style-type: none"> <li>Tap this button to select from 1 to 24 hours to delay the start of the dishwasher.</li> <li>After selecting the desired starting time, you must tap <b>Start</b>  and close the door.</li> <li>To change the delay start setting, you must restart the dishwasher.</li> </ul> </li> </ul> <p><b>NOTE</b><br/> You must select the desired wash cycle before setting Delay Start .</p> |
| <b>09 Start</b> <br>(Cancel 3 sec) | <ul style="list-style-type: none"> <li>Tap this button, and then close the door to start the operation. <ul style="list-style-type: none"> <li><b>Cancel 3 sec:</b> Tap and hold this button for 3 seconds to cancel the current cycle and drain the dishwasher.</li> </ul> </li> </ul>   |

## Icon descriptions

|                     |   |  |
|---------------------|---|--|
| <b>Salt Refill</b>  |    | <ul style="list-style-type: none"> <li>This icon turns on to alert you to refill the salt storage.</li> </ul>          |
| <b>Rinse Refill</b> |  | <ul style="list-style-type: none"> <li>This icon turns on to alert you to refill the rinse aid compartment.</li> </ul> |
| <b>Control Lock</b> |  | <ul style="list-style-type: none"> <li>This icon turns on when the Control Lock function is activated.</li> </ul>      |

# Operations

## Cycle overview



The temperature under the buttons indicates the washing temperature during the cycle, and the washing temperature may differ depending on the selected options.

| Cycle           | Description  |
|-----------------|--|
| 01 AUTO         | <ul style="list-style-type: none"> <li>The dishwasher sets the appropriate wash time and water temperature according to the detected soil level for effective washing.</li> </ul>  |
| 02 ECO *        | <ul style="list-style-type: none"> <li>This cycle is for washing normally soiled dishes with less energy use.                             <ul style="list-style-type: none"> <li>This cycle takes a longer time to complete for less energy consumption.</li> </ul> </li> </ul>  |
| 03 Intensive    | <ul style="list-style-type: none"> <li>This cycle is for washing heavily soiled items.</li> </ul>  |
| 04 Delicate     | <ul style="list-style-type: none"> <li>This cycle is for lightly soiled, fragile items such as glasses.                             <ul style="list-style-type: none"> <li>The items must be dishwasher-safe.</li> </ul> </li> </ul>   |
| 05 Express      | <ul style="list-style-type: none"> <li>This cycle is best for quickly washing normally soiled, daily-using items.</li> </ul>   |
| 06 Pre Wash     | <ul style="list-style-type: none"> <li>This cycle is for pre-washing the items with cold water to remove dirt before running another wash cycle.</li> </ul>  |
| 07 Machine Care | <ul style="list-style-type: none"> <li>This cycle is for cleaning the inside of the dishwasher.</li> <li>Do not operate this cycle with the racks loaded with any items. Empty the dishwasher before running this cycle.</li> </ul>  |
| 08 Downloaded   | <ul style="list-style-type: none"> <li>You can download a cycle from the SmartThings app and use this button to select the downloaded cycle.                             <ul style="list-style-type: none"> <li>Plastic is the default download cycle and you can download the following additional cycles: Plastic, Pots &amp; Pans and Baby Care.</li> <li>For more information on downloading the cycle, see the <b>“Downloading a cycle from the SmartThings app”</b> section on page 59.</li> </ul> </li> </ul> |

\* The values for the ECO program have been obtained following the test standard EN 60436:2020. The values given for the other programs are indicative only.

---

## Downloading a cycle from the SmartThings app

You can download and use the cycles available from the SmartThings app.

### NOTE

Some models may have applied one of the available cycles as a default and may not need to download a cycle.

1. Turn on the dishwasher and make sure it is connected to a Wi-Fi.
2. Turn on the SmartThings app on your mobile device and select the dishwasher.
3. Tap **Downloaded cycle**.
4. Select the cycle you want to download to the dishwasher. Plastic, Pots & Pans and Baby Care cycles are available.
5. Tap **Apply**.

### NOTE

You can check the descriptions of the each cycle on the SmartThings app.


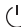






| Cycle       | Description  |
|-------------|--|
| Plastic     | This cycle is used when washing plastic dishes. It washes plastic at a safer temperature (60 °C) and dries them better.                    |
| Pots & Pans | Choose to wash pots and pans. This cycle uses hotter water and higher pressure than a standard cycle for focused cleaning of pot and pans. |
| Baby Care   | Suitable for rinsing/drying dishes at a high temperature of 70 °C. Do not add detergent or rinse.  |

# Operations


---

## Operating a cycle

---

1. Open the door and then load the dishwasher. Make sure to remove food remains and waste on the dishes.
  - Do not load the dishwasher if you are going to use the Machine Care  cycle.
2. Apply detergent to the detergent dispenser. For better results, add rinse aids.
3. Tap **Power**  to turn on the dishwasher.
4. Tap the desired cycle button.
5. Select the desired cycle options.
  - Tap **Lower Rack** , **Sanitize** , **Multi Tab** , or **Delay Start**  to enable or disable each option.
  - Some options may be unavailable depending on the cycle.
  - Make sure you have loaded only the lower basket to use the Lower Rack  option.
6. Tap **Start** , and then close the door.
  - The dishwasher starts the cycle after draining for a few seconds.

### NOTE

- To change the cycle after it has started, touch and hold **Start**  for 3 seconds to cancel the cycle. Then, select a new cycle.
- The default cycle is ECO.
- To resume after you have opened the door to stop the dishwasher while operating, simply close the door.


---

## Settings

---


You can customize your dishwasher settings easily by following the steps below.

### Entering the setting menu

1. Tap **Power**  to turn on the dishwasher.
2. Within 60 seconds of powering on, tap and hold **ECO** for 5 seconds to enter the setting menu.
  - "0:00" appears on the display, when you enter the setting menu.
3. Use the corresponding buttons to select and adjust each setting as described below.


### Sound

You can turn the sound on or off.

1. Tap **Lower Rack**  to select the Sound setting.
  - The current setting appears on the display. (The factory default setting is "U1".)
2. Tap **AUTO** to change the setting.
  - U0: Off
  - U1: On
3. The setting will be saved automatically after 5 seconds.


### AutoRelease™

Enable automatic door opening after each cycle to improve drying performance.

1. Tap **Machine Care**  to select the AutoRelease™ setting.
  - The current setting appears on the display. (The factory default setting is "A1".)
2. Tap **AUTO** to change the setting.
  - A0: Off
  - A1: On
3. The setting will be saved automatically after 5 seconds.

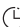
# Operations

## Rinse aid level

1. Tap **Sanitize**  to select the Rinse aid level setting.
  - The current setting appears on the display. (The factory default setting is "F4".)
2. Tap **AUTO** to change the setting.
  - You can select from F1 (minimum) to F5 (maximum).
3. The setting will be saved automatically after 5 seconds.

## Water hardness level

You can change the water hardness level according to water hardness in your local area. This setting affects the amount of salt used in the dishwasher's salt compartment.

1. Tap **Delay Start**  to select the Water hardness level setting.
  - The current setting appears on the display. (The factory default setting is "H3".)
2. Tap **AUTO** to change the setting.
  - You can select from H1 (soft) to H6 (hard).
3. The setting will be saved automatically after 5 seconds.

## Determining the water hardness level

For better washing results, we recommend softening the water. Hard water contains impurities that can reduce the washing performance. You should soften the water if the supplied water is harder than 1.0 mmol/L (6 °d – German scale).

- To soften the water, you need dishwasher-specific salt and adjust the water hardness level according to your area. For more information about the water hardness level in your area, contact your local water department.
- If the hardness level of the supplied water supply is unsteady, set the water hardness level to its highest. For example, if the water hardness reading ranges from 6.7 mmol/L to 9.0 mmol/L, set the water hardness level for the highest value, which is 9.0 mmol/L.
- The dishwasher's default water hardness level is H3 (2.1-3.0 mmol/L). If this setting matches the water hardness level in your area, you do not need to change it.

## NOTE

It is recommended that adjustments should be made in accordance with the following table.

| Water hardness |       |        |         | Water hardness setting | Salt consumption (gram/cycle) | Regeneration operation cycle |
|----------------|-------|--------|---------|------------------------|-------------------------------|------------------------------|
| °dH            | °fH   | °Clark | mmol/l  |                        |                               |                              |
| 0-5            | 0-9   | 0-6    | 0-0.94  | H1                     | 0                             | 0                            |
| 6-11           | 10-20 | 7-14   | 1.0-2.0 | H2                     | 20                            | 1/10                         |
| 12-17          | 21-30 | 15-21  | 2.1-3.0 | H3                     | 30                            | 1/5                          |
| 18-22          | 31-40 | 22-28  | 3.1-4.0 | H4                     | 40                            | 1/3                          |
| 23-34          | 41-60 | 29-42  | 4.1-6.0 | H5                     | 50                            | 1/2                          |
| 35-55          | 61-98 | 43-69  | 6.1-9.8 | H6                     | 60                            | 1/1                          |


---

 **NOTE**

- 1 dH (German degree) = 0.178 mmol/l
- 1 Clark (British degree) = 0.143 mmol/l
- 1 fH (French degree) = 0.1 mmol/l
- Contact your local water board for information on the hardness of your water supply.

- **WATER SOFTENER**

The hardness of the water varies from place to place. If hard water is used in the dishwasher, deposits may form on dishes and utensils. The appliance is equipped with a special softener that uses a salt specifically designed to eliminate lime and minerals from the water.

- **How water softener regeneration works (ECO cycle with H3 level setting)**
  - Regeneration of the water softening system will be operated before the rinse stage in all programs except the Pre Wash  cycle. It extends the total duration of a program by additional 15 minutes and use 4 L water, 0.03 kWh energy.
  - Regenerates once every 5 cycles

# Operations




---

## Special features


---

### Delay Start

You can delay the cycle starting time up to 24 hours in 1-hour increments. The hour displayed indicates the time at which the cycle will start.



1. Open the door and then load the dishwasher.
2. Tap **Delay Start**  to change the time in 1-hour increments.
  - If you tap and hold **Delay Start** , the time will increase continuously until you release it.
3. Tap **Start**  and close the door.

### NOTE

If you need to adjust the delay time after the cycle has started, tap **Power**  to turn off the dishwasher, then restart and set the new delay time.

### Control Lock

To prevent children from playing with the dishwasher, Control Lock locks all button controls except for Power.

- To activate Control Lock, tap and hold **Multi Tab**  for 3 seconds. With Control Lock activated, you cannot select a cycle or option or start an operation.
- To deactivate Control Lock, tap and hold **Multi Tab**  again for 3 seconds.
- The Control Lock remains enabled even after restarting the dishwasher. To cancel Control Lock, you must deactivate it first.

---

## Open Source Announcement

---

The software included in this product contains open source software.

The following URL [http://opensource.samsung.com/opensource/SMART\\_TP2\\_0/seq/0](http://opensource.samsung.com/opensource/SMART_TP2_0/seq/0) leads to open source license information as related to this product.



# Maintenance

---

## Cleaning

---

Keep the dishwasher clean to improve performance, reduce unnecessary repairs, and lengthen its lifecycle.


### Exterior

Clean spills on the surface of the dishwasher immediately. Use a soft, damp cloth on the control panel to gently wipe away spills and dust.

### CAUTION

- Do not use benzene, wax, thinner, chlorine bleach, alcohol, or other chemical substances. These materials may discolour the surface of the dishwasher and cause stains.
- The dishwasher has electric parts inside. Do not spray water directly onto the dishwasher. Protect electrical components from water.
- For a stainless-steel door panel, use a stainless-steel cleaner for home appliances and a clean, soft cloth.

### Interior

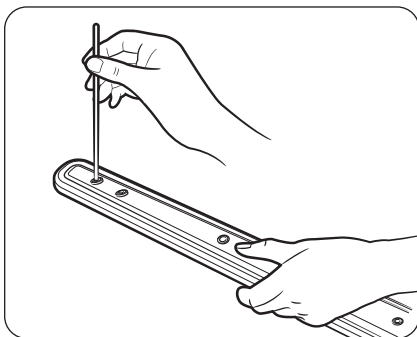
- Clean the interior of the dishwasher on a regular basis to remove any dirt or food particles. Wipe inside the dishwasher and inside the door with a wet dishcloth.
- Use the **Machine Care**  cycle every month to keep the interior clean and prevent bad odours.
- If your tap water is hard, you can prevent limescale inside the dishwasher by adding citric acid to the detergent when operating the dishwasher.

### CAUTION

- Do not remove the front seal (the long rubber seal enclosing the opening of the dishwasher). The seal keeps the inner side of the dishwasher sealed.
- Use a damp cloth to remove the lime scale or grease deposits inside the dishwasher. Alternatively, apply some detergent, and then run an empty cycle using the highest rinse temperature.

## Spray arms

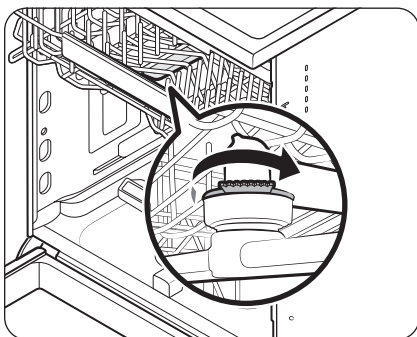
To prevent the spray arms from being clogged or if the spray arms are clogged, remove and clean each spray arm. Use caution when removing the spray arms as they may break.



### NOTE

If the water holes on the spray arms are clogged, use a thin pointed tool to unclog the holes.

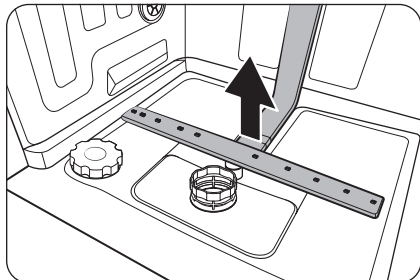
## Middle spray arm



1. Open the door, and then pull out the upper rack.
  - The middle spray arm is attached underneath the upper rack.
2. Loosen and remove the nut, and then remove the spray arm.
3. Unclog and clean the spray arm.
4. Reinsert the spray arm, and then tighten the nut by hand.
5. Rotate the spray arm to make sure it is correctly assembled.

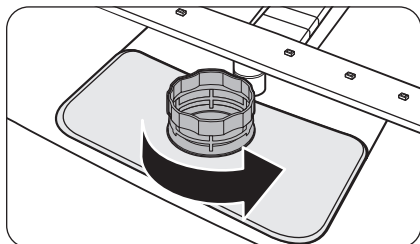
# Maintenance

## Bottom spray arm

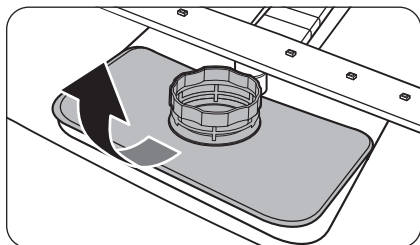


1. Open the door.
2. Remove the lower rack.
  - The bottom spray arm is attached on the bottom interior wall.
3. Pull the bottom spray arm to remove it.
4. Unclog and clean the spray arm.
5. Reinsert the spray arm.
6. Rotate the spray arm to make sure it is correctly assembled.

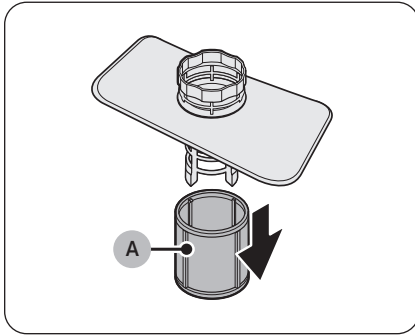
## Filters



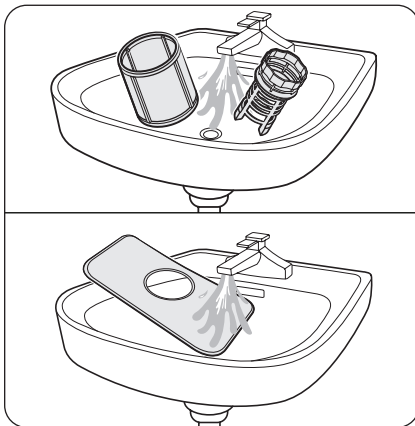
1. Open the door, and then remove the lower rack.
2. Turn the filter handle anticlockwise to unlock the coarse filter.



3. Lift the coarse filter and remove them from the bottom of the dishwasher.

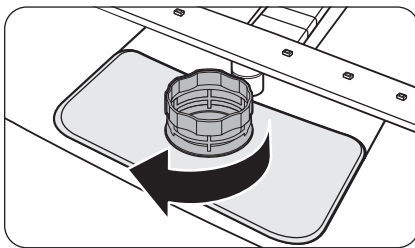


4. Disassemble the **micro filter (A)**.



5. Remove any dirt and impurities from all the disassembled filters and rinse them in running water.

6. Dry the filters before putting them back into the dishwasher.



7. Assemble all the filters and put them back into the dishwasher.

8. Turn the filter handle clockwise to lock the filters.

### **CAUTION**

Make sure the coarse filter is securely and completely closed. Improper closure may reduce filtration performance and affect the proper operation of the product.

# Maintenance

---

## Long-term care

---


If you will not use the dishwasher for an extended period of time, first drain the unit completely, and then disconnect the water hose. Shut off the water supply valve and the circuit breaker. Water remaining in the hoses or the internal components can damage the dishwasher.

# Troubleshooting



## Checkpoints

If you encounter an issue with the dishwasher, first check the table below and try the suggestions.

Following the repair by a non-authorized service provider, self-repair or non-professional repair of the product, Samsung is not liable for any damage to the product, any injury or any other product safety issue caused by any attempt to repair the product which does not carefully follow these repair and maintenance instructions. Any damage to the product caused by an attempt to repair the product by any person other than a Samsung certified service provider will not be covered by the warranty

| Symptom  | Possible cause                         | Action   |
|--|--|--|
| <b>The dishwasher does not start.</b>                              | The door is not completely closed.     | <ul style="list-style-type: none"><li>• Make sure the door is latched and completely closed.</li><li>• Make sure the middle spray arm water supply tube is properly connecting to the water outlet at the rear interior wall.</li><li>• Make sure the upper rack is properly inserted.</li></ul> |
|  | The power cord is not connected.       | <ul style="list-style-type: none"><li>• Connect the power cord.</li></ul>  |
|  | Water is not being supplied.           | <ul style="list-style-type: none"><li>• Make sure the water supply valve is open.</li></ul>  |
|  | The control panel is locked.           | <ul style="list-style-type: none"><li>• Deactivate the Control Lock function.</li></ul>  |
| <b>The dishwasher has bad odours.</b>                              | Water remains from the previous cycle. | <ul style="list-style-type: none"><li>• With the dishwasher empty, add detergent, and then run the Express  cycle.</li></ul>  |
| <b>Water remains in the dishwasher after a cycle has finished.</b> | The drain hose is kinked or clogged    | <ul style="list-style-type: none"><li>• Straighten and unclog the drain hose.</li></ul>  |

# Troubleshooting

| Symptom                          | Possible cause   | Action   |
|----------------------------------|--|--|
| Food remains on dishes.          | An incorrect cycle was selected.   | <ul style="list-style-type: none"> <li>Select a cycle according to the soil level of the dishes as instructed in this manual.</li> </ul>   |
|                                  | The filters are clogged or not correctly fastened.   | <ul style="list-style-type: none"> <li>Clean the filters.</li> <li>Make sure the filters are correctly fastened.</li> </ul>  |
|                                  | An insufficient amount of detergent was used.  | <ul style="list-style-type: none"> <li>Use the correct amount of detergent for each load.</li> </ul>   |
|                                  | The water pressure is low.   | <ul style="list-style-type: none"> <li>Make sure the pressure is between 40-1000 kPa.</li> </ul>   |
|                                  | The spray arms are clogged.  | <ul style="list-style-type: none"> <li>Clean and unclog the spray arms.</li> </ul>   |
|                                  | Dishes are improperly loaded or overloaded.  | <ul style="list-style-type: none"> <li>Arrange the dishes so they do not interfere with the spray arms or the detergent dispenser.</li> </ul>  |
|                                  | The water is too hard.   | <ul style="list-style-type: none"> <li>Check the salt refill indicator, and refill with dishwasher salt.</li> </ul>  |
| Dishes are not dried well enough | The rinse aid compartment is empty.  | <ul style="list-style-type: none"> <li>Fill the rinse aid compartment with the rinse aid.</li> </ul>   |
|                                  | Not enough rinse aid was used.   | <ul style="list-style-type: none"> <li>Change the Dose per Rinse setting.</li> </ul>   |
|                                  | Too many dishes were loaded.   | <ul style="list-style-type: none"> <li>Overloading may reduce the drying performance. Load your dishes as recommended.</li> </ul>  |
|                                  | Glasses and cups spilled water onto other dishes while being unloaded.   | <ul style="list-style-type: none"> <li>Empty the lower rack first, and then the upper rack. This will avoid water dripping from the upper rack onto the dishes in the lower rack.</li> </ul> |
|                                  | Multiple detergent tablets were used without selecting the <b>Sanitize</b>  option. | <ul style="list-style-type: none"> <li>Select the <b>Sanitize</b>  option or use a rinse aid.</li> </ul>  |

| Symptom  | Possible cause   | Action  |
|--|--|---|
| <b>The dishwasher is too noisy.</b>  | The detergent compartment is opened to dispense the detergent.     | <ul style="list-style-type: none"> <li>This is normal.</li> </ul>   |
|  | The drain pump is operating.                                       | <ul style="list-style-type: none"> <li>This is normal.</li> </ul>   |
|  | The dishwasher is not level.                                       | <ul style="list-style-type: none"> <li>Make sure the dishwasher is level.</li> </ul>  |
|  | The spray arm bumps against the dishes, creating a chopping sound. | <ul style="list-style-type: none"> <li>Rearrange the dishes.</li> </ul>   |
| <b>A layer of the yellow or brown stain remains on dishes.</b>               | Coffee and tea soils.  | <ul style="list-style-type: none"> <li>Use a cycle with a higher temperature water.</li> </ul>  |
| <b>The display is not turning on.</b>  | The power cord is not connected.                                   | <ul style="list-style-type: none"> <li>Check power supply is present.</li> </ul>  |
| <b>The spray arms do not rotate smoothly.</b>                                | The spray arms are clogged with food particles.                    | <ul style="list-style-type: none"> <li>Clean the spray arms.</li> </ul>   |
| <b>The dishwasher bubbles up and the foam remains too much on the front.</b> | Regular detergent was used instead of dishwasher detergent.        | <ul style="list-style-type: none"> <li>Always use dishwasher detergent.</li> <li>Turn the dishwasher off and remove the bubbles.</li> </ul> |

# Troubleshooting

## Information codes

If the dishwasher fails to operate, you may see an information code on the display. Check the table below and try the suggestions.

| Code | Action   |
|------|--|
| LC   | <b>Leakage check</b> <ul style="list-style-type: none"><li>• Close the water supply valve. Go to your home's circuit breaker panel, and set the dishwasher's circuit breaker switch to off. Contact the installer to repair. If the issue continues, contact a local Samsung service centre.</li></ul>                                     |
| 4C   | <b>Water supply check</b> <ul style="list-style-type: none"><li>• Check if the water supply valve is closed, if the water supply is suspended, or if the water inlet valve or line is frozen or clogged by foreign particles. If the issue continues, contact a local Samsung service centre.</li></ul>                                    |
| AC   | <b>PCB communication check</b> <ul style="list-style-type: none"><li>• Abnormal communication between the main PCB and the sub PCB. If the issue continues, contact a local Samsung service centre.</li></ul>  |
| HC   | <b>High temperature heating check</b> <ul style="list-style-type: none"><li>• Functional check. With the dishwasher empty, add detergent, and then run a cycle. If the issue continues, go to your home's circuit breaker panel, and set the dishwasher's circuit breaker switch to off. Contact a local Samsung service centre.</li></ul> |
| tC   | <b>Thermistor check</b> <ul style="list-style-type: none"><li>• Temperature sensor is deformed or broken (short or open circuit). If the problem continues, contact an authorised Samsung service centre.</li></ul>  |
| PC   | <b>Distribution motor check</b> <ul style="list-style-type: none"><li>• Abnormal working with distribution motor assembly, or main PCB. If the issue continues, contact a local Samsung service centre.</li></ul>  |

If any information code keeps appearing on the screen, contact a local Samsung service centre.




Spare parts\* for end-users are available for a minimum of 10 years\*\*.




\* Applicable parts : door hinge and seals, other seals, spray arms, drain filters, interior racks and plastic peripherals such as baskets and lids.


\*\* This means a minimum of 10 years after Samsung places the last unit of the model on the market.



# Appendix

## Cycle chart

| Cycle                    | AUTO  | ECO   | Intensive  | Delicate  |
|--------------------------|--|---|---|--|
| Cycle sequence           | Pre wash (45 °C) > Main wash (55-65 °C) > Rinse > Hot Rinse (50-70 °C) > Dry > End     | Main wash (50 °C) > Rinse > Hot Rinse (45 °C) > Dry > End | Pre wash (50 °C) > Main wash (65 °C) > Rinse > Hot Rinse (65 °C) > Dry > End                | Pre wash (40 °C) > Main wash (50 °C) > Rinse (50 °C) > Hot Rinse (50 °C) > Dry > End         |
| Water consumption (L)    | 7.8-17.3   | 10.5  | 17.3  | 13.9   |
| Energy consumption (kWh) | 0.810-1.500  | 0.746 (14 P/S)<br>0.735 (13 P/S)                          | 1.535   | 0.950  |
| Cycle time (min.)        | 129-150  | 220   | 205   | 120  |

| Cycle                    | Express  | Pre Wash *  | Machine Care  |
|--------------------------|---|--|--|
| Cycle sequence           | Main wash (60 °C) > Rinse (50 °C) > Hot Rinse (65 °C) > Dry > End                         | Pre wash > End   | Pre wash > Main wash (70 °C) > Rinse > Hot Rinse (70 °C) > Dry > End                             |
| Water consumption (L)    | 12.1  | 4.1  | 14.9   |
| Energy consumption (kWh) | 1.050   | 0.02   | 1.510  |
| Cycle time (min.)        | 60  | 15   | 145  |

| Cycle                    | Downloaded  |  |  |
|--------------------------|--|--|--|
|                          | Plastic  | Pots & Pans  | Baby Care  |
| Cycle sequence           | Pre wash > Main wash (60 °C) > Rinse > Hot Rinse (60 °C) > Dry > End                         | Pre wash (50 °C) > Main wash (70 °C) > Rinse > Hot Rinse (70 °C) > Dry > End | Pre wash > Rinse > Hot Rinse (70 °C) > Dry > End |
| Water consumption (L)    | 14.1   | 21.5   | 10.6   |
| Energy consumption (kWh) | 1.080  | 1.610  | 0.755  |
| Cycle time (min.)        | 129  | 172  | 79   |

\* Pre Wash  : This cycle does not activate the AutoRelease™ function nor the drying process. Continuous use of the Pre Wash  cycle for an extended time is not recommended. This may reduce the performance of the water softener.

### NOTE

- The cycle time depends on the options you have added, and the pressure and temperature of the supplied water.
- The power consumption depends on the water temperature and/or load.
- Energy values for courses were calculated under standardized testing conditions.

# Appendix

---

## Transportation/relocation

---

Make sure the dishwasher is empty with no loose parts. First, drain the dishwasher as follows.

1. When the draining process is complete, open the door.
2. Turn the dishwasher off, and then shut the water valve off.
3. Disconnect the both the water hose and the drain hose.

### CAUTION

Do not shake or sway the dishwasher while moving it. Residual water may drip from the dishwasher.

## Protection against frost

---

If you leave the dishwasher in a place with a risk of frost for an extended time, make sure to empty the dishwasher. For details, see the “**Transportation/relocation**” section.

## Disposing the dishwasher and helping the environment

---

Your dishwasher is manufactured from recyclable materials. If you decide to dispose of it, please observe your local waste disposal regulations. Cut off the power cord so that the appliance cannot be connected to a power source.

Remove the door so that animals and children cannot get trapped inside the appliance.

---

## Energy, water saving tip

---

- The ECO cycle is suitable to clean normally soiled tableware, that for this use, it is the most efficient cycle in terms of its combined energy and water consumption, and that it is used to assess compliance with the EU ecodesign legislation (COMMISSION REGULATION (EU) 2019/2022).
- Manual pre-rinsing of tableware items leads to increased water and energy consumption and is not recommended. Use a knife, etc. to remove only large bits of food before loading.
- Water supplied can be up to 60 °C, and less power is consumed when hot water is connected.
- It's better to fill the racks if possible but without overloading.
- Load the tableware to the racks properly to prevent damage and poor performance.
  - Overloading and overlapping tableware may reduce the cleaning and drying performance.
- Load your tableware as recommended.
  - Load the tableware with the concave bottom at an angle so that water can run off.
  - Arrange the tableware so they do not interfere with the spray arms and the detergent dispenser.
- It can make the cleaning and drying performance better, and prevent the noise of spray arms bumping the tableware.
  - To prevent injury from the knives and other utensils with sharp points, it must be loaded in the basket with their points down or placed in a horizontal position.
- To save water and energy, use the ECO cycle. it is the most efficient program when washing normally soiled items.
- Use an appropriate amount of detergent and rinse according to the manufacturer's guidelines.
- Dishwasher use saves water compared to ordinary washing by hand.
- Ecodesign information can be found by going to [www.samsung.com/support](http://www.samsung.com/support).

## EPREL information

---

To access energy labelling information about this product on the European Product Registry for Energy Labelling (EPREL), go to [https://eprel.ec.europa.eu/qr/\\*\\*\\*\\*\\*](https://eprel.ec.europa.eu/qr/*****) where \*\*\*\*\* is the product's EPREL registration number. You can find the registration number on the rating label of your product.

# Appendix

## Specifications

|   |          |                   |                |               |
|---|----------|-------------------|----------------|---------------|
| <b>Model</b>                                  |          | DW70H7***F*       | DW70H7***U*    | DW70H7***S*   |
| <b>Type</b>                                   |          | Free Standing     | Built Under    | Semi Built-in |
| <b>Power supply</b>                           |          | 220-240 V~, 50 Hz |                |               |
| <b>Water pressure</b>                         |          | 40-1000 kPa       |                |               |
| <b>Wash capacity</b>                          | DW70H73* | 14 place settings |                |               |
|   | DW70H72* | 13 place settings |                |               |
| <b>Rated power</b>                            |          | 1760-2100 W       |                |               |
| <b>Dimension<br/>(Width x Depth x Height)</b> |          | 598x600x845 mm    | 598x570x815 mm |               |
| <b>Weight<br/>(Unpacked)</b>                  | DW70H73* | 50.0 kg           | 40.5 kg        | 40.5 kg       |
|   | DW70H72* | 48.0 kg           | 39.0 kg        | Not available |

|   |          |                   |                          |  |
|---|----------|-------------------|--------------------------|--|
| <b>Model</b>                                  |          | DW70H7***B*       | DW70H7***J*              |  |
| <b>Type</b>                                   |          | Fully Built-in    | Fully Built-in (Sliding) |  |
| <b>Power supply</b>                           |          | 220-240 V~, 50 Hz |                          |  |
| <b>Water pressure</b>                         |          | 40-1000 kPa       |                          |  |
| <b>Wash capacity</b>                          | DW70H73* | 14 place settings |                          |  |
|   | DW70H72* | 13 place settings |                          |  |
| <b>Rated power</b>                            |          | 1760-2100 W       |                          |  |
| <b>Dimension<br/>(Width x Depth x Height)</b> |          | 598x550x815 mm    |                          |  |
| <b>Weight<br/>(Unpacked)</b>                  | DW70H73* | 39.5 kg           | 40.0 kg                  |  |
|   | DW70H72* | 39.0 kg           | 39.0 kg                  |  |

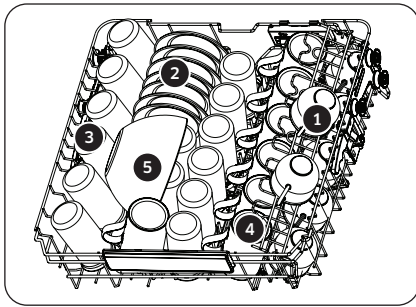
# For standard test

## NOTE

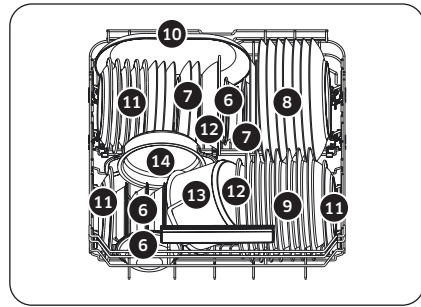
The information for comparability test as follows.

### DW70H73\*\*\*\* models

- Washing capacity: 14 place settings
- Test standard: EN 60436
- Position of upper rack: lower position
- Wash cycle: ECO
- Additional options: None
- Rinse aid level setting: F5
- Water hardness level setting: H3
- Dosage of the standard detergent: Main-wash 22 g
- For the arrangement of the items, refer to the below figures



Upper rack



Lower rack



1. Cups  
2. Saucers



3. Glasses



4. Mug cups



5. Glass bowls



6. Small serving bowls



7. Dessert plates



8. Dinner plates



9. Soup plates



10. Oval platter



11. Melamine dessert



12. Melamine bowl

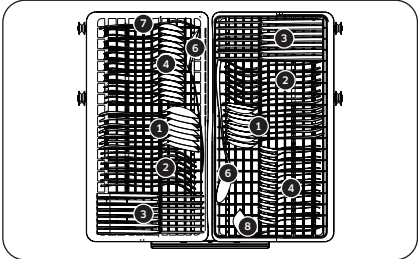


13. Small pot



14. Oven pot

# For standard test



Cutlery rack



1. Soup spoons



2. Forks



3. Knives



4. Tea spoons



5. Dessert spoons



6. Serving spoons



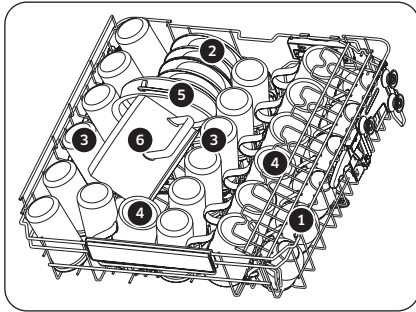
7. Serving forks



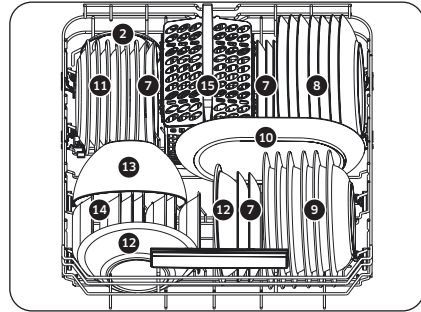
8. Gravy ladles

## DW70H72\*\*\*\* models

- Washing capacity: 13 place settings
- Test standard: EN 60436
- Position of upper rack: lower position
- Wash cycle: ECO
- Additional options: None
- Rinse aid level setting: F5
- Water hardness level setting: H3
- Dosage of the standard detergent: Main-wash 21 g
- For the arrangement of the items, refer to the below figures



Upper rack



Lower rack



1. Cups  
2. Saucers



3. Glasses



4. Mug cups



5. Oven pot



6. Small pot



7. Dessert plates



8. Dinner plates



9. Soup plates



10. Oval platter



11. Melamine dessert



12. Melamine bowl



13. Glass bowls



14. Dessert bowls



15. Cutlery basket



# Contact information

## QUESTIONS OR COMMENTS?

| COUNTRY        | CALL  | OR VISIT US ONLINE AT  |
|----------------|---|--|
| AUSTRIA        | 0800 72 67 864 (0800-SAMSUNG)   | <a href="http://www.samsung.com/at/support">www.samsung.com/at/support</a>   |
| BELGIUM        | BE NL: +32 3 808 05 07<br>BE FR: +32 2 266 20 02 10   | <a href="http://www.samsung.com/be/support">www.samsung.com/be/support</a> (Dutch)<br><a href="http://www.samsung.com/be_fr/support">www.samsung.com/be_fr/support</a> (French)  |
| DENMARK        | 70 70 19 70   | <a href="http://www.samsung.com/dk/support">www.samsung.com/dk/support</a>   |
| FINLAND        | OLD 030-622 75 15,<br>NEW number: 0800 528 475  | <a href="http://www.samsung.com/fi/support">www.samsung.com/fi/support</a>   |
| FRANCE         | 01 48 63 00 00  | <a href="http://www.samsung.com/fr/support">www.samsung.com/fr/support</a>   |
| GERMANY        | 06196 77 555 77   | <a href="http://www.samsung.com/de/support">www.samsung.com/de/support</a>   |
| ITALIA         | 800-SAMSUNG (800.7267864)   | <a href="http://www.samsung.com/it/support">www.samsung.com/it/support</a>   |
| GREECE         | 80111-SAMSUNG (80111 726 7864)<br>from mobile and land line<br>(+30) 210 6897691 from mobile and<br>land line | <a href="http://www.samsung.com/gr/support">www.samsung.com/gr/support</a>   |
| LUXEMBURG      | 261 03 710  | <a href="http://www.samsung.com/be_fr/support">www.samsung.com/be_fr/support</a>   |
| NETHERLANDS    | 088 90 90 100   | <a href="http://www.samsung.com/nl/support">www.samsung.com/nl/support</a>   |
| NORWAY         | 21 62 90 99   | <a href="http://www.samsung.com/no/support">www.samsung.com/no/support</a>   |
| PORTUGAL       | 210 608 098<br>Chamada para a rede fixa nacional<br>Dias úteis das 9h às 20h                                  | <a href="http://www.samsung.com/pt/support">www.samsung.com/pt/support</a>   |
| SPAIN          | 91 175 00 15  | <a href="http://www.samsung.com/es/support">www.samsung.com/es/support</a>   |
| SWEDEN         | 0771-400 300  | <a href="http://www.samsung.com/se/support">www.samsung.com/se/support</a>   |
| SWITZERLAND    | 0800 726 786  | <a href="http://www.samsung.com/ch/support">www.samsung.com/ch/support</a> (German)<br><a href="http://www.samsung.com/ch_fr/support">www.samsung.com/ch_fr/support</a> (French) |
| UK             | 0333 000 0333   | <a href="http://www.samsung.com/uk/support">www.samsung.com/uk/support</a>   |
| IRELAND (EIRE) | 0818 717100   | <a href="http://www.samsung.com/ie/support">www.samsung.com/ie/support</a>   |
| LITHUANIA      | 0-800-77777   | <a href="http://www.samsung.com/lt/support">www.samsung.com/lt/support</a>   |
| LATVIA         | 8000-7267   | <a href="http://www.samsung.com/lv/support">www.samsung.com/lv/support</a>   |
| ESTONIA        | 800-7267  | <a href="http://www.samsung.com/ee/support">www.samsung.com/ee/support</a>   |

# Contact information

| COUNTRY    | CALL   | OR VISIT US ONLINE AT  |
|------------|--|--|
| CZECH      | 800 - SAMSUNG (800-726786)<br>  | <a href="http://www.samsung.com/cz/support">www.samsung.com/cz/support</a>   |
| SLOVAKIA   | 0800 - SAMSUNG (0800-726 786)<br>   | <a href="http://www.samsung.com/sk/support">www.samsung.com/sk/support</a>   |
| POLAND     | 801-172-678*<br>* (opłata według taryfy operatora)   | <a href="http://www.samsung.com/pl/support/">http://www.samsung.com/pl/support/</a>  |
| BULGARIA   | 0800 111 31 - Безплатен за всички оператори<br>*3000 - Цена на един градски разговор или според тарифата на мобилният оператор<br>09:00 до 18:00 - Понеделник до Петък | <a href="http://www.samsung.com/bg/support">www.samsung.com/bg/support</a>   |
| ROMANIA    | 0800872678 - Apel gratuit<br>*8000 - Apel tarifat în rețea<br>Program Call Center<br>Luni - Vineri: 9 AM - 6 PM  | <a href="http://www.samsung.com/ro/support">www.samsung.com/ro/support</a>   |
| HUNGARY    | 061 42 92 312<br>   | <a href="http://www.samsung.com/hu/support">www.samsung.com/hu/support</a>   |
| UKRAINE    | 0-800-502-000  | <a href="http://www.samsung.com/ua/support">www.samsung.com/ua/support</a>   |
| AZERBAIJAN | 0-88-555-55-55   | <a href="http://www.samsung.com/az/support">www.samsung.com/az/support</a>   |
| GEORGIA    | 0-800-555-555  | <a href="http://www.samsung.com/ge/support">www.samsung.com/ge/support</a>   |
| ARMENIA    | 0-800-05-555   | <a href="http://www.samsung.com/ru/support">www.samsung.com/ru/support</a>   |
| RUSSIA     | 8-800-555-55-55  | <a href="http://www.samsung.com/ru/support">www.samsung.com/ru/support</a>   |
| KAZAKHSTAN | 8-10-800-500-55-500 (GSM: 7799)  | <a href="http://www.samsung.com/kz_kz/support">www.samsung.com/kz_kz/support</a><br><a href="http://www.samsung.com/kz_ru/support">www.samsung.com/kz_ru/support</a> |
| MONGOLIA   | 1800-25-55   | <a href="https://www.samsung.com/mn/support/">https://www.samsung.com/mn/support/</a>  |
| KYRGYZSTAN | GSM: 9977  | <a href="http://www.samsung.com/kz_kz/support">www.samsung.com/kz_kz/support</a><br><a href="http://www.samsung.com/kz_ru/support">www.samsung.com/kz_ru/support</a> |

| COUNTRY      | CALL   | OR VISIT US ONLINE AT  |
|--------------|--|--|
| TAJIKISTAN   | GSM: 7779  | <a href="http://www.samsung.com/kz_kz/support">www.samsung.com/kz_kz/support</a><br><a href="http://www.samsung.com/kz_ru/support">www.samsung.com/kz_ru/support</a>                       |
| AUSTRALIA    | 1300 362 603 (Other)<br>1300 425 299 (HHP)   | <a href="http://www.samsung.com/au/support">www.samsung.com/au/support</a>   |
| NEW ZEALAND  | 0800 726 7864 (All Products)<br>0800 726 786 (All products)<br>both numbers are linked with same line  | <a href="http://www.samsung.com/nz/support">www.samsung.com/nz/support</a>   |
| VIETNAM      | Zalo Samsung Vietnam<br><a href="https://zalo.me/598843366637438151">https://zalo.me/598843366637438151</a><br> | <a href="http://www.samsung.com/vn/support">www.samsung.com/vn/support</a>   |
| SINGAPORE    | 1800 7267864   1800-SAMSUNG (Other)  | <a href="http://www.samsung.com/sg/support">www.samsung.com/sg/support</a>   |
| Türkiye      | 444 7711   | <a href="http://www.samsung.com/tr/support">www.samsung.com/tr/support</a>   |
| Iraq         | 80010080<br>WhatsApp +962-79-777-7421  | <a href="https://www.samsung.com/iq_ar/support/">https://www.samsung.com/iq_ar/support/</a><br><a href="https://www.samsung.com/iq_ku/support/">https://www.samsung.com/iq_ku/support/</a> |
| MOROCCO      | 080 100 22 55  | <a href="http://www.samsung.com/n_africa/support">www.samsung.com/n_africa/support</a>   |
| TUNISIA      | 80 100 012   | <a href="http://www.samsung.com/n_africa/support">www.samsung.com/n_africa/support</a>   |
| Israel       | *6963  | <a href="http://www.samsung.com/il/support/">www.samsung.com/il/support/</a>   |
| Palestine    | 1800-792447  | <a href="http://www.samsung.com/ps/support/">www.samsung.com/ps/support/</a>   |
| SAUDI ARABIA | 8002474357 (800 (08:00 ~ 20:00 HELP) From Inside Saudi Arabia<br>+966112542860 From outside Saudi Arabia (Call charges may be applied )  | <a href="http://www.samsung.com/sa_en/support">www.samsung.com/sa_en/support</a> (English)<br><a href="http://www.samsung.com/sa/support">www.samsung.com/sa/support</a> (Arabic)          |
| SLOVENIA     | 080 697 267 (brezplačna številka)  | <a href="http://www.samsung.com/si/support">www.samsung.com/si/support</a>   |
| CROATIA      | 072 726 786  | <a href="http://www.samsung.com/hr/support">www.samsung.com/hr/support</a>   |
| SERBIA       | 011 321 6899   | <a href="http://www.samsung.com/rs/support">www.samsung.com/rs/support</a>   |
| BOSNIA       | 055 233 999  | <a href="http://www.samsung.com/ba/support">www.samsung.com/ba/support</a>   |
| MONTENEGRO   | 020 405 888  | <a href="http://www.samsung.com/support">www.samsung.com/support</a>   |
| ARMENIA      | 0-800-05-555   | <a href="http://www.samsung.com/ru/support">www.samsung.com/ru/support</a>   |

# Memo

---

# Memo

---

**SAMSUNG**