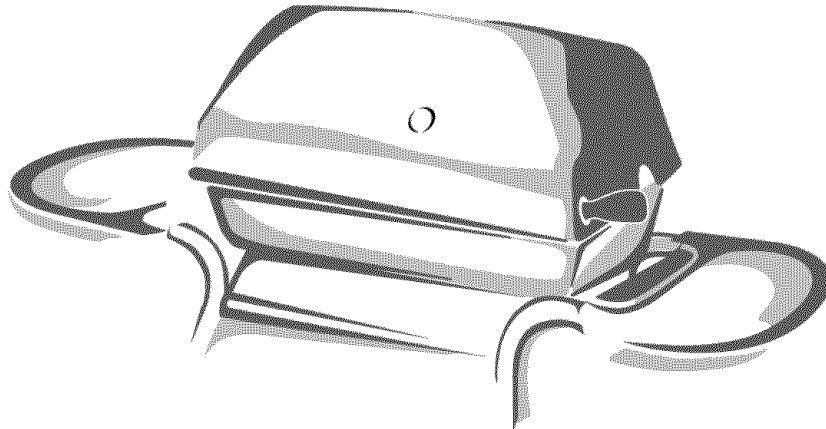




Liquid Propane Gas Grill

Model No. 415.162340

This Grill Is For
Outdoor Use Only



WARNING

- Read this manual before cooking on grill. Failure to follow all manufacturer's instructions could result in fire or explosion which could cause property damage, personal injury or death.
- Combustion by-products produced when using this product contain chemicals known to the State of California to cause cancer, birth defects, or other reproductive harm.

- Parts
- Assembly
- Safety Rules
- Use and Care
- Troubleshooting
- Español, p. 33

CAUTION

- Read and follow all Safety Statements, Assembly Instructions and Use & Care Directions before attempting to assemble and cook.
- Some parts may contain sharp edges, especially as noted in these instructions. Wear protective gloves if necessary.

Assembly Questions?
Call 1-800-241-7548

Parts Ordering:
Call 1-800-4-MY-HOME®

To Installer/Assembler: Leave these instructions with consumer.

To Consumer: Keep this manual for future reference.

463362506 / 0-7001349 (10-20-05)

Sears, Roebuck and Co., Hoffman Estates, IL 60179 U.S.A.



 **WARNING** 

FOR YOUR SAFETY

1. Do not store or use gasoline or other flammable vapors and liquids in the vicinity of this or any other appliance.
2. An LP tank not connected for use shall not be stored in the vicinity of this or any other appliance.

FOR YOUR SAFETY

If you smell gas:

1. Shut off gas to the appliance.
2. Extinguish any open flame.
3. Open lid.
4. If odor continues, immediately call your gas supplier or your fire department.

Call Grill Service Center For Help And Parts

If you have questions or need assistance during assembly, please call **1-800-241-7548**. You will be speaking to a representative of the grill manufacturer and not a Sears employee. To order new parts call Sears at **1-800-4-MY-HOME®**.

Product Record

IMPORTANT: Fill out the product record information below.

Model Number _____

Serial Number _____
See rating label on grill for serial number.

Date Purchased _____

 **CAUTION** 

For residential use only. Do not use for commercial cooking.

Safety Symbols

The symbols and boxes shown below explain what each heading means. Read and follow all of the messages found throughout the manual.

 **DANGER** 

DANGER: Indicates an imminently hazardous situation which, if not avoided, will result in death or serious injury.

 **WARNING** 

WARNING: Be alert to the possibility of serious bodily injury if the instructions are not followed. Be sure to read and carefully follow all of the messages.

 **CAUTION** 

CAUTION: Indicates a potentially hazardous situation which, if not avoided, may result in minor or moderate injury.

Installation Safety Precautions

- Use grill only with LP (propane) gas and the regulator/valve assembly supplied.
- Grill installation must conform with local codes, or in their absence with **National Fuel Gas Code, NFPA 54 / ANSI Z223.1**. Handling and storage of LP cylinders must conform to LP Gas Code **NFPA/ANSI 58**. Grill is not for use in or on recreational vehicles and/or boats.
- All electrical accessories (such as rotisserie) must be electrically grounded in accordance with local codes, or **National Electrical Code, ANSI / NFPA 70**. Keep any electrical cords and/or fuel supply hoses away from any hot surfaces.
- This grill is safety certified for outdoor use in the United States only. Do not modify for use in any other location. Modification will result in a safety hazard.



TABLE OF CONTENTS

For Your Safety	2
Grill Service Center	2
Product Record Information	2
Safety Symbols	2
Installation Safety Precautions	2
Kenmore Grill Warranty	3
Use and Care	4-11
Parts List	12
Parts Diagram	13
Assembly	14-25
Cooking Table	26
Troubleshooting	27-29

Repair Protection Agreements

Congratulations on making a smart purchase. Your new Kenmore® product is designed and manufactured for years of dependable operation. But like all products, it may require repair from time to time. That's when having a Repair Protection Agreement can save you money and aggravation.

Purchase a Repair Protection Agreement now and protect yourself from unexpected hassle and expense.

Here's what's included in the Agreement:

- ✓ **Expert service** by our 12,000 professional repair specialists
- ✓ **Unlimited service and no charge** for parts and labor on all covered repairs
- ✓ **Product replacement** if your covered product can't be fixed
- ✓ **Discount of 10%** from regular price of service and service-related parts not covered by the agreement; also, 10% off regular price of preventive maintenance check
- ✓ **Fast help by phone** – phone support from a Sears technician on products requiring in-home repair, plus convenient repair scheduling

Once you purchase the Agreement, a simple phone call is all that it takes for you to schedule service. You can call anytime day or night, or schedule a service appointment online.

Sears has over 12,000 professional repair specialists, who have access to over 4.5 million quality parts and accessories. That's the kind of professionalism you can count on to help prolong the life of your new purchase for years to come. Purchase your Repair Protection Agreement today!

Some limitations and exclusions apply.

For prices and additional information call 1-800-827-6655.

Sears Installation Service

For Sears professional installation of home appliances, garage door openers, water heaters, and other major home items, in the U.S.A. call 1-800-4-MY-HOME®

WARRANTY

KENMORE GRILL WARRANTY

One Year Full Warranty on Kenmore Grill

If this grill is defective in material or workmanship within one year from the date of purchase, call 1-800-4-MY HOME® to have it repaired free of charge.

Additional Limited Warranty on Specific Grill Parts

For the time periods listed below, the following specific grill parts will be replaced free of charge if they are defective in material or workmanship. You will be charged for labor.

- Lifetime on Aluminum Top and Bottom Castings.
- Two years from purchase date on Stainless Burner Assembly.

All warranty coverage excludes batteries and any grill part paint loss or rusting, which are either expendable parts that can wear out from normal use in less than a year, or are conditions that can be the result of normal use, accident or improper maintenance.

All warranty coverage is void if this grill is used for commercial or rental purposes.

This warranty gives you specific legal rights, and you may also have other rights which vary from state to state.

**Sears, Roebuck and Co., Dept. 817WA,
Hoffman Estates, IL 60179**



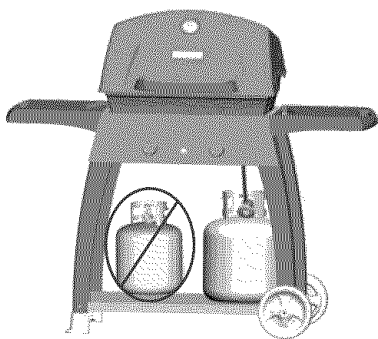
USE AND CARE



DANGER



- **NEVER** store a spare LP tank under or near grill or in enclosed areas
- Never fill the cylinder beyond 80% full.
- An overfilled or improperly stored tank is a hazard due to possible gas release from the safety relief valve. This could cause an intense fire with risk of property damage, serious injury or death.

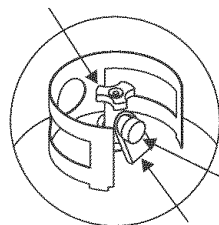


- If you see, smell or hear escaping gas, immediately get away from the LP tank/grill and call your fire department.

LP Tank Removal, Transport And Storage

- Turn OFF all control knobs and LP tank valve. Turn coupling nut counterclockwise by hand only - do not use tools to disconnect. Lift LP tank wire upward off of LP tank collar, then lift LP tank up and off of support bracket. Install safety cap onto LP tank valve. Always use cap and strap supplied with valve. **Failure to use safety cap as directed may result in serious personal injury and/or property damage.**

LP Tank Valve



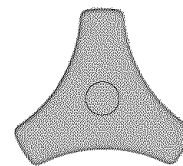
Safety Cap

Retainer Strap

- A disconnected LP tank in storage or being transported must have a safety cap installed (as shown). Do not store an LP tank in enclosed spaces such as a carport, garage, porch, covered patio or other building. Never leave an LP tank inside a vehicle which may become overheated by the sun.
- Do not store an LP tank in an area where children play.

LP Tank

- The LP tank used with your grill must meet the following requirements:
- Use LP tanks only with these required measurements: 12" (30.5cm) (diameter) x 18" (45.7 cm) (tall) with 20 lb. (9 kg.) capacity maximum.
- LP tanks must be constructed and marked in accordance with specifications for LP tank of the U.S. Department of Transportation (DOT). See LP tank collar for marking.
- LP tank valve must have:
 - Type 1 outlet compatible with regulator or grill.
 - Safety relief valve.
 - UL listed Overfill Protection Device (OPD). This OPD safety feature is identified by a unique triangular hand wheel. **Use only LP tanks equipped with this type of valve.**
- LP tank must be arranged for vapor withdrawal and include collar to protect LP tank valve.



OPD Hand Wheel

LP (Liquefied Petroleum Gas)

- LP gas is nontoxic, odorless and colorless when produced. **For Your Safety**, LP gas has been given an odor (similar to rotten cabbage) so that it can be smelled.
- LP gas is highly flammable and may ignite unexpectedly when mixed with air.

LP Tank Filling

- Use only licensed and experienced dealers.
- LP dealer **must purge tank** before filling.
- Dealer should **NEVER** fill LP tank more than 80% of LP tank volume. Volume of propane in tank will vary by temperature.
- A frosty regulator indicates gas overfill. Immediately close LP tank valve and call local LP gas dealer for assistance.
- Do not release liquid propane (LP) gas into the atmosphere. This is a hazardous practice.
- To remove gas from LP tank, contact an LP dealer or call a local fire department for assistance. Check the telephone directory under "Gas Companies" for nearest certified LP dealers.



LP Tank Exchange

- Many retailers that sell grills offer you the option of replacing your empty LP tank through an exchange service. Use only those reputable exchange companies that inspect, precision fill, test and certify their cylinders. **Exchange your tank only for an OPD safety feature-equipped tank as described in the "LP Tank" section of this manual.**
- Always keep new and exchanged LP tanks in upright position during use, transit or storage.
- **Leak test new and exchanged LP tanks BEFORE connecting to grill.**

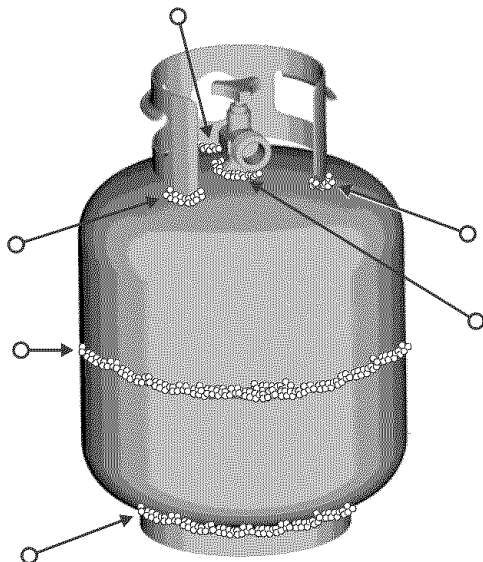
LP Tank Leak Test

For your safety

- Leak test must be repeated each time LP tank is exchanged or refilled.
- Do not smoke during leak test.
- Do not use an open flame to check for gas leaks.
- Grill must be leak tested outdoors in a well-ventilated area, away from ignition sources such as gas fired or electrical appliances. During leak test, keep grill away from open flames or sparks.
- Use a clean paintbrush and a 50/50 mild soap and water solution. Brush soapy solution onto areas indicated by arrows in figure below. Leaks are indicated by growing bubbles.

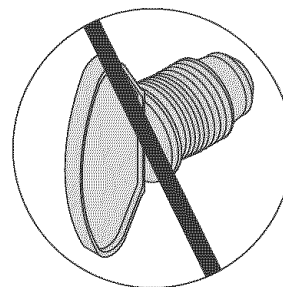
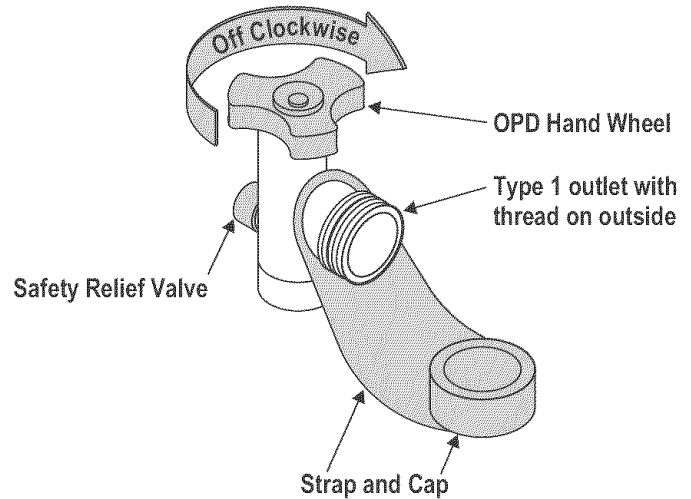
	WARNING	
If "growing" bubbles appear do not use or move the LP tank. Contact an LP gas supplier or your fire department!		

- ▲ **Do not use household cleaning agents.** Damage to gas train components can result.



Connecting Regulator To The LP Tank

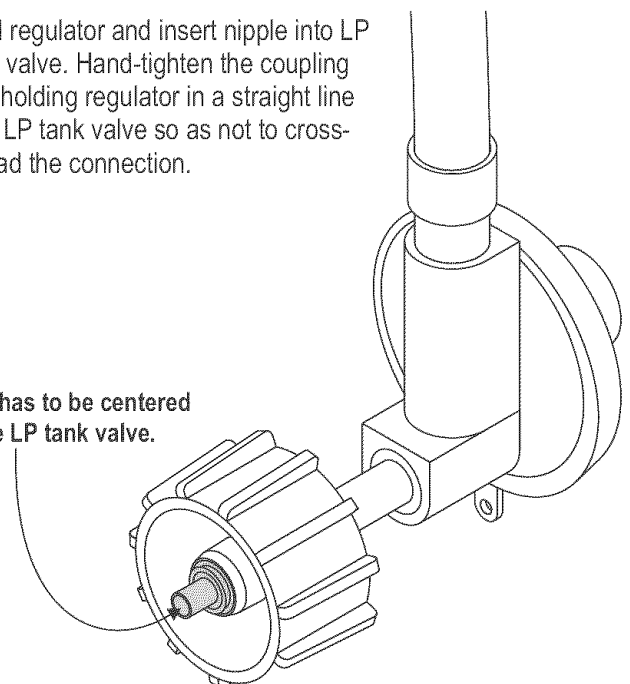
1. LP tank must be properly secured onto grill. (Refer to assembly section.)
2. Turn all control knobs to the OFF position.
3. Turn LP tank OFF by turning OPD hand wheel clockwise to a full stop.
4. Remove the protective cap from LP tank valve. Always use cap and strap supplied with valve.

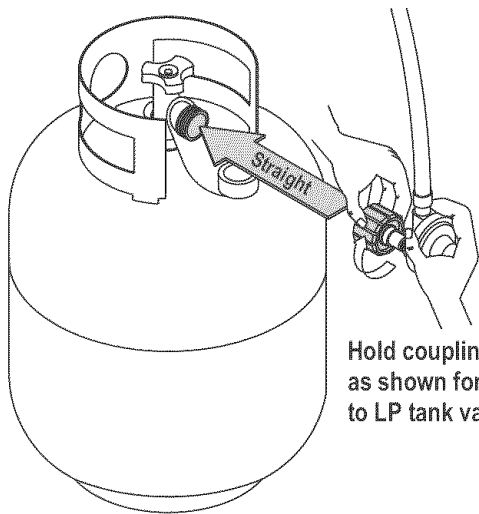


Do not use a POL transport plug (plastic part with external threads)! It will defeat the safety feature of the valve.

5. Hold regulator and insert nipple into LP tank valve. Hand-tighten the coupling nut, holding regulator in a straight line with LP tank valve so as not to cross-thread the connection.

Nipple has to be centered into the LP tank valve.





Hold coupling nut and regulator as shown for proper connection to LP tank valve.

6. Turn the coupling nut clockwise and tighten to a full stop. The regulator will seal on the back-check feature in the LP tank valve, resulting in some resistance. **An additional one-half to three-quarters turn is required to complete the connection. Tighten by hand only – do not use tools.**

NOTE:

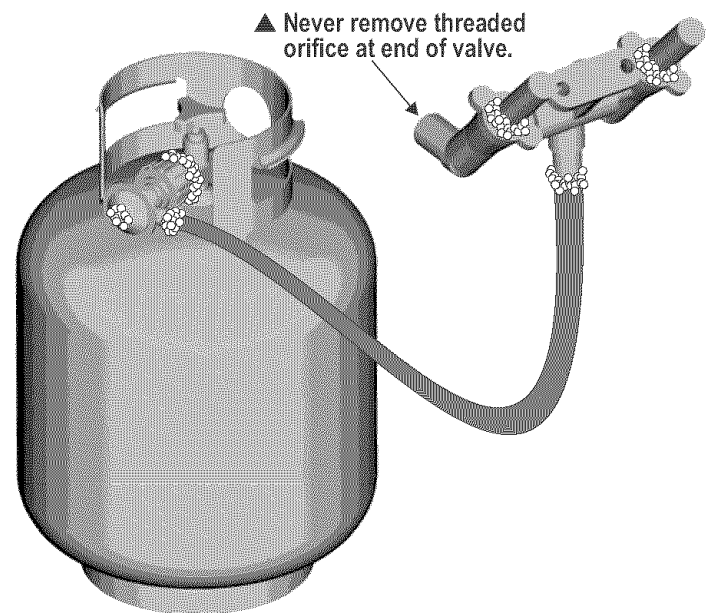
If you cannot complete the connection, disconnect regulator and repeat steps 5 and 6. If you are still unable to complete the connection, **do not use this regulator!**

	DANGER	
<ul style="list-style-type: none"> • Do not insert any tool or foreign objects into the valve outlet or safety relief valve. You may damage the valve and cause a leak. Leaking propane may result in explosion, fire, severe personal injury, or death.. • If a leak is detected at any time, STOP and call the fire department. • If you cannot stop a gas leak, <i>immediately</i> close LP tank valve and call LP gas supplier or your fire department! 		

	WARNING	
<ul style="list-style-type: none"> • Never attempt to attach this grill to the self-contained LP gas system of a camper trailer or motor home. • Do not use grill until leak-tested. 		

Leak Testing Valves, Hose and Regulator

1. Turn all grill control knobs to OFF.
2. Be sure regulator is tightly connected to LP tank.
3. Completely open LP tank valve by turning OPD hand wheel counterclockwise. If you hear a *rushing sound*, turn gas off immediately. There is a major leak at the connection. **Correct before proceeding** by calling Sears for replacement parts at **1-800-4-MY-HOME®**.
4. Brush soapy solution onto areas where bubbles are shown in picture below:



5. If “growing” bubbles appear, there is a leak. Close LP tank valve immediately and retighten connections. **If leaks cannot be stopped do not try to repair.** Call Sears for replacement parts at **1-800-4-MY-HOME®**.
6. Always close LP tank valve after performing leak test by turning hand wheel clockwise.



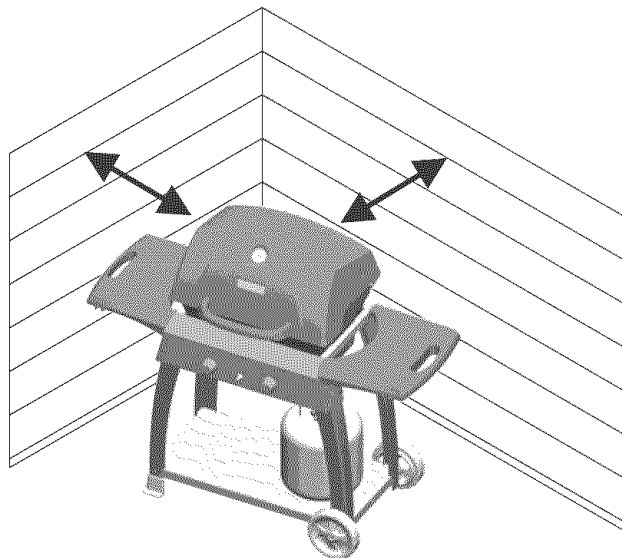


WARNING



For Safe Use Of Your Grill And To Avoid Serious Injury:

- Do not let children operate or play near grill.
- Keep grill area clear and free from materials that burn.
- Do not block holes in bottom or back of grill.
- Check burner flames regularly.
- Use grill only in well-ventilated space. NEVER use in enclosed space such as carport, garage, porch, covered patio, or under an overhead structure of any kind.
- Do not use charcoal or ceramic briquets in a gas grill. *(Unless briquets are supplied with your grill.)*
- **Use grill at least 3 ft. from any wall or surface.** Maintain 10 ft. clearance to objects that can catch fire or sources of ignition such as pilot lights on water heaters, live electrical appliances, etc.



• Apartment Dwellers:

Check with management to learn the requirements and fire codes for using an LP gas grill in your apartment complex. If allowed, use outside on the ground floor with a three (3) foot clearance from walls or rails. Do not use on or under balconies.

- **NEVER attempt to light burner with lid closed.** A buildup of non-ignited gas inside a closed grill is hazardous.
- **Never operate grill with LP tank out of correct position specified in assembly instructions.**
- **Always close LP tank valve and remove coupling nut before moving LP tank from specified operation position.**

Safety Tips

- ▲ Before opening LP tank valve, check the coupling nut for tightness.
- ▲ When grill is not in use, turn off all control knobs and LP tank valve.
- ▲ Never move grill while in operation or still hot.
- ▲ Use long-handled barbecue utensils and oven mitts to avoid burns and splatters.
- ▲ Maximum load for shelves is 10 lbs.
- ▲ The grease cup **must** be attached to grease tray and emptied after each use. Do not remove grease cup until grill has completely cooled.
- ▲ If you notice grease or other hot material dripping from grill onto valve, hose or regulator, turn off gas supply at once. Determine the cause, correct it, then clean and inspect valve, hose and regulator before continuing. Perform a leak test.
- ▲ The regulator may make a humming or whistling noise during operation. This will not affect safety or use of grill.
- ▲ If you have a grill problem see the "Troubleshooting Section".



WARNING



If the regulator frosts, turn off grill and LP tank valve immediately. This indicates a problem with the tank and it should not be used on any product. Return to supplier!



CAUTION



- Putting out grease fires by closing the lid is not possible. Grills are well ventilated for safety reasons.
- Do not use water on a grease fire. Personal injury may result. If a grease fire develops, turn knobs and LP tank off.
- Do not leave grill unattended while preheating or burning off food residue on high. If grill has not been regularly cleaned, a grease fire can occur that may damage the product. Follow instructions on General Grill Cleaning and Cleaning The Burner Assembly to prevent grease fires.

Ignitor Lighting

▲ Do not lean over grill while lighting.

1. Open lid. Turn on gas at LP tank.
2. Turn left knob to 🔻 preheat to light.
3. Push ignitor button rapidly (up to 5 times) to light. Be sure burner lights and stays lit.
4. If burner does not light, turn knobs to OFF, wait 5 minutes, try again.
5. Once left burner is lit, turn right knob to 🔻 preheat to light.
6. If ignitor does not work, wait 5 minutes, then follow match lighting instructions.

After Lighting: Turn knobs to HIGH position for warm-up. Do not warm up grill with knobs in 🔻 preheat position. Knobs and handle will become uncomfortably hot if left in preheat position.



CAUTION



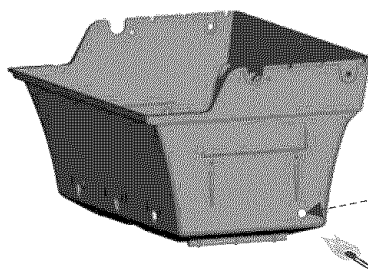
If burner does not light, turn knobs to OFF, wait 5 minutes, and try again. Always close valve during the 5 minute waiting period. If the burner does not ignite with the valve open, gas will continue to flow out of the burner and could accidentally ignite with risk of injury.

Match-Lighting

▲ Do not lean over grill while lighting.

1. Open lid. Turn on gas at LP tank.
2. Place lit match into match lighting hole from outside of grill bottom (as shown).
3. Push in and turn right knob to 🔻 preheat position. Be sure burner lights and stays lit.
4. Light left burner by pushing left knob in and turning to 🔻 preheat position.

After Lighting: Turn knobs to HI for warm-up.



Match lighting hole

Sideburner Ignitor Lighting

1. Turn gas on at LP tank.
2. Push in and turn knob to HIGH.
3. Push 🔴 (up to 5 times to light burner). Be sure burner lights and stays lit.
4. If burner does not light turn knob(s) to OFF, wait 5 minutes, try again.

Match Lighting

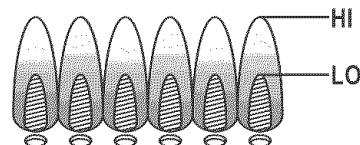
1. Turn gas on at LP tank.
2. Hold lit match to any port on the burner. Push in and turn sideburner knob to HIGH. Be sure burner lights and stays lit.

Before Your First Cookout

- Light burners, check to make sure they are lit, close the lid and warm up grill on HIGH for 15 minutes. This curing of paint and parts will produce an odor only on first lighting.

Burner Flame Check

- Light burner, rotate knobs from HI to LO. You should see a smaller flame in LO position than seen on HI. Always check flame prior to each use. If only low flame is seen refer to "Sudden drop or low flame" in the *Troubleshooting Section*.



Turning Grill Off

- Turn all knobs to **OFF** position. Turn LP tank off by turning OPD hand wheel clockwise to a full stop.

Ignitor Check

- **Turn gas off at LP tank.** Press and hold ignitor button. "Click" should be heard and spark seen each time between collector box or burner and electrodes. See "Troubleshooting" if no click or spark.

Valve Check

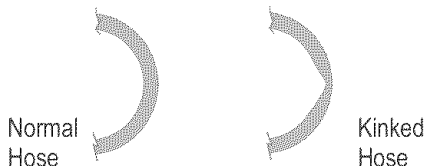
- **Important: Make sure gas is off at LP tank before checking valves.** Knobs lock in **OFF** position. To check valves, first push in knobs and release, knobs should spring back. If knobs do not spring back, replace valve assembly before using grill. Turn knobs to **LO** position then turn back to **OFF** position. Valves should turn smoothly.

General Grill Cleaning

- Keep the outside of your grill looking new by cleaning it once a month with warm soap and water or a non-abrasive cleaner. If you don't have a grill cover, wipe off dust and grime before starting your grill.
- Coating the cooking grids with spray-on cooking oil will keep the food from sticking and make clean up easier. After cooking, scrape the grates with a long handled, brass wire bristle brush.
- Check inside the grill bottom for grease build up and clean often, especially after cooking fatty meat.
- Do not mistake brown or black accumulation of grease and smoke for paint. Interiors of gas grills are not painted at the factory (**and should never be painted**). Apply a strong solution of detergent and water or use a grill cleaner with scrub brush on insides of grill lid and bottom. Rinse and allow to completely air dry. **Do not apply a caustic grill/oven cleaner to painted surfaces.**
- **Plated wire grates:** Wash grates and V-bar with concentrated grill cleaner or use soap and water solution. Dry thoroughly and store indoors between cookouts.
- **Plastic parts:** Wash with warm soapy water and wipe dry.
 - ▲ Do not use citrisol, abrasive cleaners, degreasers or a concentrated grill cleaner on plastic parts. Damage to and failure of parts can result.
- **Porcelain grates:** Because of glass-like composition, most residue can be wiped away with baking soda/water solution or specially formulated cleaner. Use non-abrasive scouring powder for stubborn stains.


Hose Check

- Before each use, check to see if hoses are cut, worn or kinked. Replace damaged hoses before using grill. Use only valve/hose/regulator specified in the Parts List.




Repainting Your Grill

- After extended use and exposure to weather, paint on grill may deteriorate or become spotted. Although this detracts from grill's appearance, it will not impair its performance.
- To refinish your grill brush outside of grill lid and bottom with wire brush and lightly sand with fine grit sandpaper. Sanding allows new paint to adhere more easily. Wash grill lid and bottom with soap and water to remove dust and grease. Do not use a grill cleaner on outside of grill. Wipe with vinegar. Refinish outside with heat-resistant paint. **Do not paint inside of grill.**


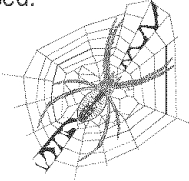


CAUTION



NATURAL HAZARD • SPIDERS

FACT: Sometimes spiders and other small insects climb into the burner tubes attached to the burners. The spiders spin webs, build nests and lay eggs. The webs or nests can be very small, but they are very strong and can block the flow of gas. Clean burners prior to use after storing, at the beginning of grilling season or after a period of one month not being used.



Typical spider webs inside burner.

Spider guards are on the air intakes in an effort to reduce this problem, but it will not eliminate it! An obstruction can result in a "flashback" (a fire in the burner tubes). The grill may still light, but the obstruction does not allow full gas flow to the burners.

IF YOU EXPERIENCE THE FOLLOWING:

1. Smell gas.
2. Burner(s) will not light.
3. A small yellow flame from burner (should be blue).
4. Fire coming from around or behind control knob.

STOP!

Immediately turn off gas at LP tank!

▲ **After a burner tube fire, you must inspect the hose and do a "Leak Test" to assure no damage has occurred to the parts.**

SOLUTION:

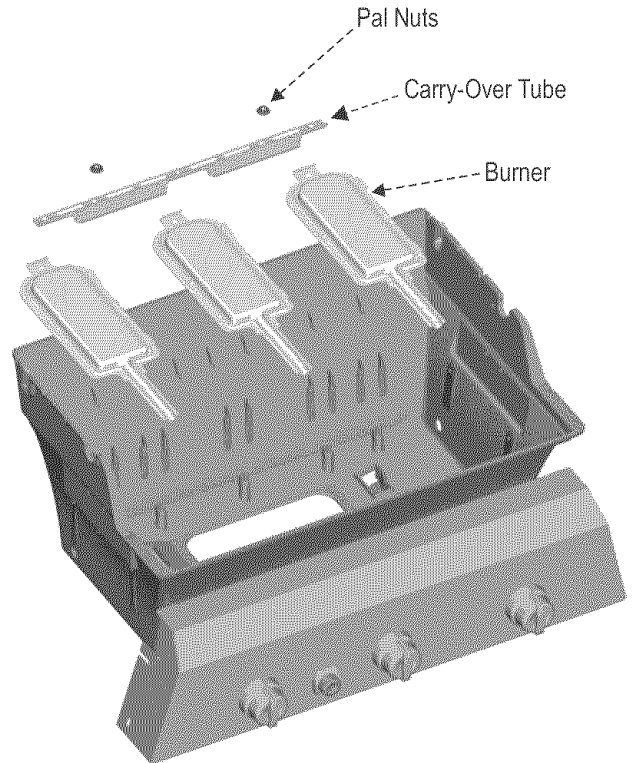
Wait for grill to cool.

Follow the "Cleaning The Burner Assembly" instructions. Clean burners often. Use a 12" pipe cleaner to clean out the burner tubes. You may also force a stream of water from a hose nozzle through burner tubes to clean them.

Cleaning The Burner Assembly

Follow these instructions to clean and/or replace parts of burner assembly or if you have trouble igniting the grill.

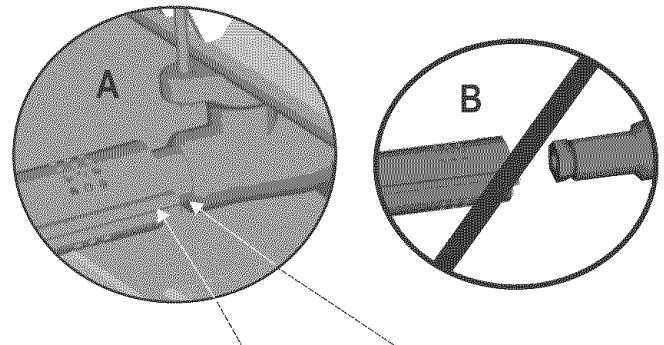
1. **Turn gas off at control knobs and LP tank.**
2. Remove cooking grids and vaporizer tents.
3. Remove two pal nuts, carry-over tube and burners.
4. Under grill remove grease pan and tray. Clean with soap and water.
5. Under console disengage ignitor wire.
6. Wipe ceramic electrode with rubbing alcohol and cloth.
7. Clean carry-over tube and burners exterior with soap and water. Lay burners on flat surface, insert garden hose (preferably with nozzle), into burner tubes forcing water through tubes. Make sure water comes out of every porthole. Open clogged portholes with a thin wire. **Shake out excess water** and examine porthole. Due to normal wear and corrosion some portholes may become enlarged, if so replace burner. If any horizontal cracks appear from porthole to porthole or large holes (other than portholes) are found replace burner.
8. If grill is to be stored, coat burners lightly with cooking oil. Wrap in protective cover to keep insects out. If not storing use following steps.



VERY IMPORTANT:

Burner tubes must engage valve openings as shown (A). Do not leave separated as shown in Figure B.

9. Attach ignitor wire to electrode.
10. Reposition cooking grids and vaporizer tents. Place clean grease tray and pan into grill bottom.
11. Before cooking again on grill, perform a "Leak Test" and "Burner Flame Check".



Correctly assembled burner tube and valve.

▲ Do not use ceramic briquets or charcoal in your grill.

Cleaning the Grease Tray

Your grill is equipped with a removable grease tray. Although grease will drain from the grease tray to the grease cup provided, food particles and debris may accumulate in the bottom and should be removed after cooking 5 to 10 times. This can easily be done by sliding the grease tray out of the rear of the unit. Make sure in replacing the tray to push it all the way forward.

Storing Your Grill

- Clean cooking grates.
- Store in dry location.
- When LP tank is connected to grill, store outdoors in well-ventilated space and out of reach of children.
- Cover grill if stored outdoors.
- Store grill indoors ONLY if LP tank is turned off and disconnected, removed from grill and stored outdoors.
- When removing grill from storage follow "*Cleaning Burner Assembly*" instructions before starting grill.

Food Safety

Food safety is a very important part of enjoying the outdoor cooking experience. To keep food safe from harmful bacteria, follow these four basic steps:

Clean: Wash hands, utensils, and surfaces with hot soapy water before and after handling raw meat and poultry.

Separate: Separate raw meats and poultry from ready-to-eat foods to avoid cross contamination. Use a clean platter and utensils when removing cooked foods.

Cook: Cook meat and poultry thoroughly to kill bacteria. Use a thermometer to ensure proper internal food temperatures.

Chill: Refrigerate prepared foods and leftovers promptly.

For more information call: USDA Meat and Poultry Hotline at 1-800-535-4555 In Washington, DC (202) 720-3333, 10:00 am-4:00 pm EST.

How To Tell If Meat Is Grilled Thoroughly

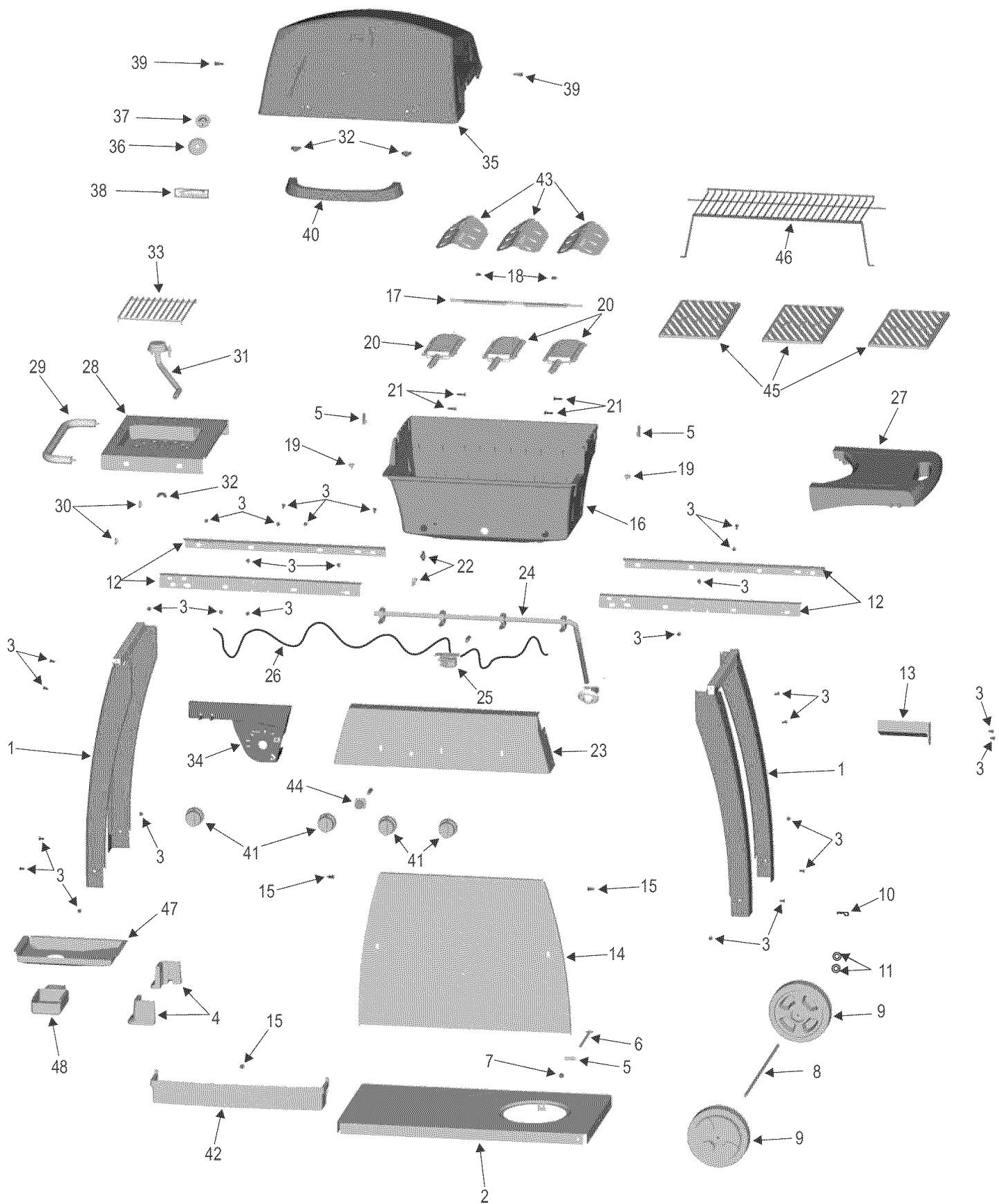
- Meat and poultry cooked on a grill often browns very fast on the outside. Use a meat thermometer to be sure food has reached a safe internal temperature, and cut into food to check for visual signs of doneness.
- Whole poultry should reach 180° F; breasts, 170° F. Juices should run clear and flesh should not be pink.
- Hamburgers made of any ground meat or poultry should reach 160° F, and be brown in the middle with no pink juices. Beef, veal and lamb steaks, roasts and chops can be cooked to 145° F. All cuts of pork should reach 160° F.
- NEVER partially grill meat or poultry and finish cooking later. Cook food completely to destroy harmful bacteria.
- When reheating takeout foods or fully cooked meats like hot dogs, grill to 165° F, or until steaming hot.

PARTS LIST – Model No. 415.162340

<u>Key</u>	<u>Qty</u>	<u>Description</u>	<u>Part #</u>	<u>Key</u>	<u>Qty</u>	<u>Description</u>	<u>Part #</u>
1	2	Leg Assembly	7000865	25	1	Ignitor Module	7000944
2	1	Bottom Shelf	7000506	26	1	Long Ignitor Wire	7000894
3	28	#10-16x1/2" Self-Tap Screw	7000999 STD611005	27	1	Shelf	7000291
4	2	Leg Extender	7000320	28	1	Sideburner Shelf	7000563
5	3	"U" Nut 1/4-20	7000185	29	1	Sideburner Handle	7000059
6	1	1/4-20 x 6" Tank Thumbscrew	7000355	30	2	Sideburner Handle Hex Nuts	7000271
7	1	1/4-20 Flanged Hex Nut	7000394	31	1	Sideburner	7000036
8	1	Axle Rod	7001149	32	3	#10-24 Wing Nut	4080063
9	2	Wheel	7000262	33	1	Sideburner Grate	4156376
10	1	Hitch Pin	4080062	34	1	Fascia	7001345
11	2	Flat Washers	4080413	35	1	Top Casting	7000654
12	4	Rail	7000286	36	1	Bezel Temperature Gauge	4157169
13	1	Heat Shield	7000388	37	1	Temperature Gauge	7000361
14	1	Front Panel	7000640	38	1	Logo Plate Assembly	4157167
15	3	Push Fastener	4080112	39	2	Shoulder Bolt	7000186
16	1	Grill Bottom	7000846	40	1	Handle	7000199
17	1	Carry-Over Tube	7000278	41	4	Control Knobs	7000312
18	2	Pal Nut	7000132	42	1	Condiment Basket	7000242
19	2	Casting Bumper	7000184	43	3	Vaporizer Tents	7000045
20	3	Burner	7000083	44	1	Ignitor Button	7000161
21	4	#10-1" Self-Tap Screw	4080716	45	3	Cooking Grid, 8"x15"	7000027
22	1	Electrode w/Wing Nut	7000378	46	1	SwingAway	7000182
23	1	Control Panel	7000642	47	1	Grease Tray	7000042
24	1	Valve/Hose/Regulator Assembly	7000336	48	1	Grease Pan	7000046



PARTS DIAGRAM – Model No. 415.162340

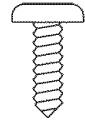


ASSEMBLY – Model No. 415.162340

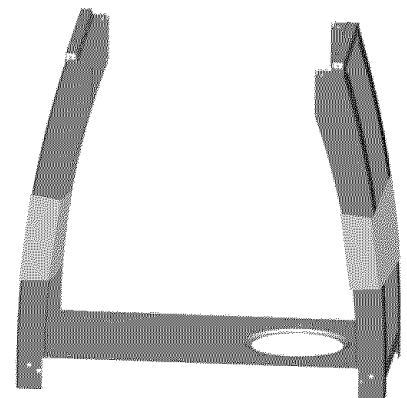
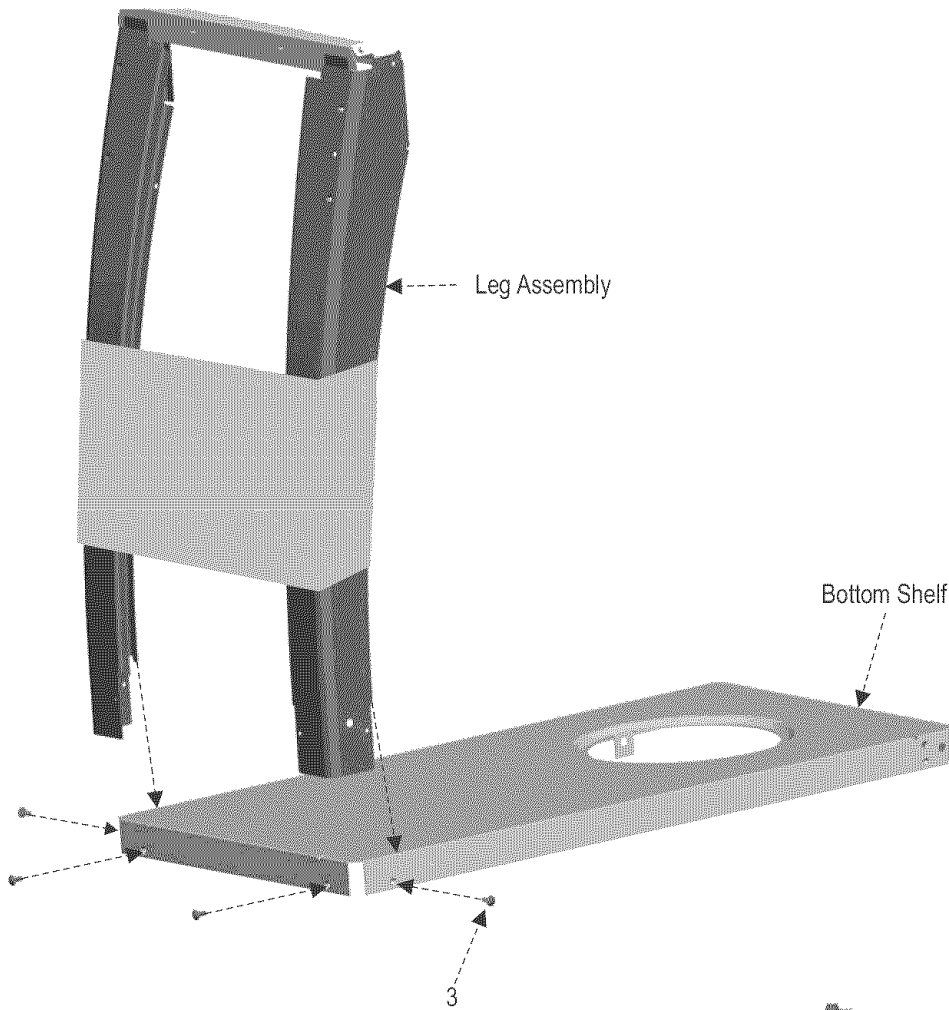
1

Cart Assembly

- Place bottom shelf on table or grill shipping carton.
- Insert tabs on leg assemblies into left and right sides of bottom shelf.
- Attach leg assemblies with two screws (3) on each leg.



3
Qty:8

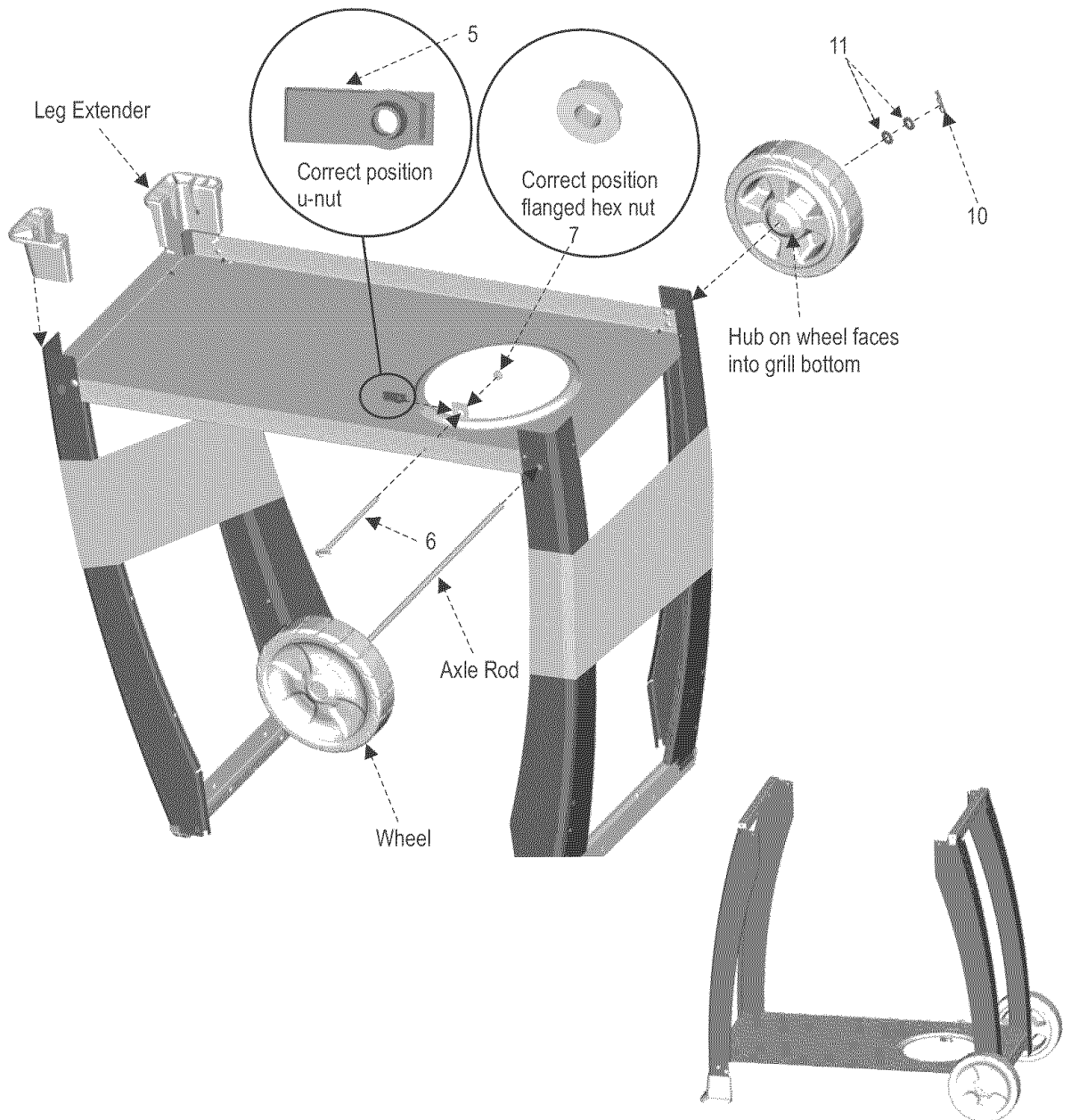
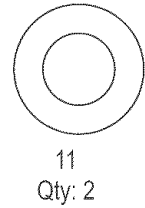
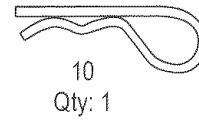
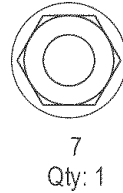
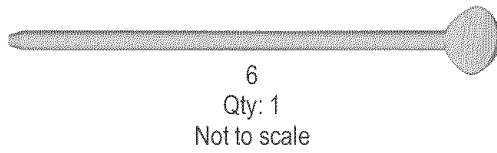
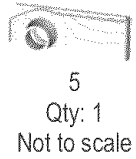


Correctly assembled legs

2

Leg Extenders, Axle Rod, Wheels and Tank Thumbscrew

- Turn cart upside down.
- Insert leg extenders. Check to make sure leg extender is all the way into the leg.
- Attach u-nut (5) to tab. See enlargement of u-nut for correct position.
- Thread tank thumbscrew (6) into hole and u-nut. Screw flanged hex nut (7) onto end of tank thumbscrew. Do not tighten further.
- Slide wheel on axle rod. Insert axle rod into large hole in bottom shelf. Attach other wheel with two washers (11) and a hitch pin (10).



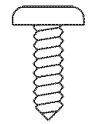
3

Rail Assembly

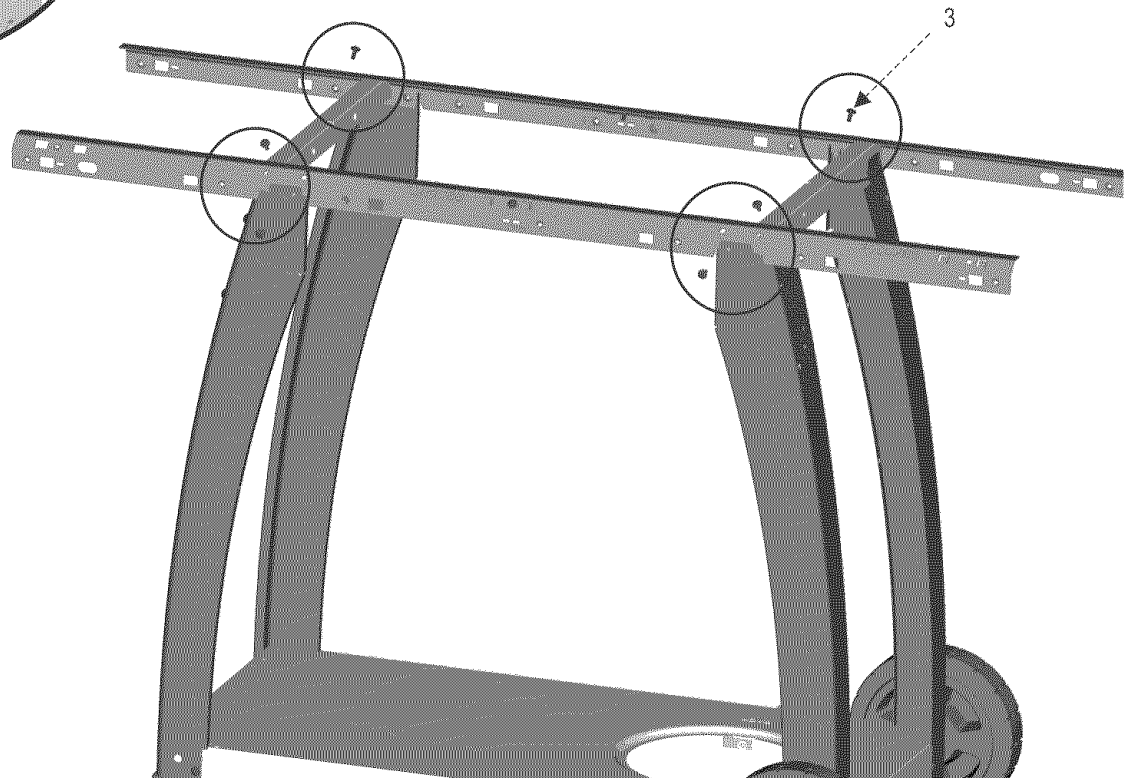
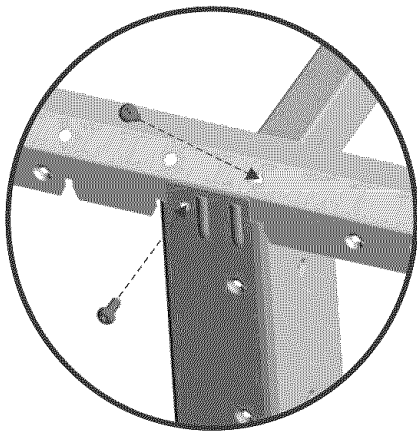
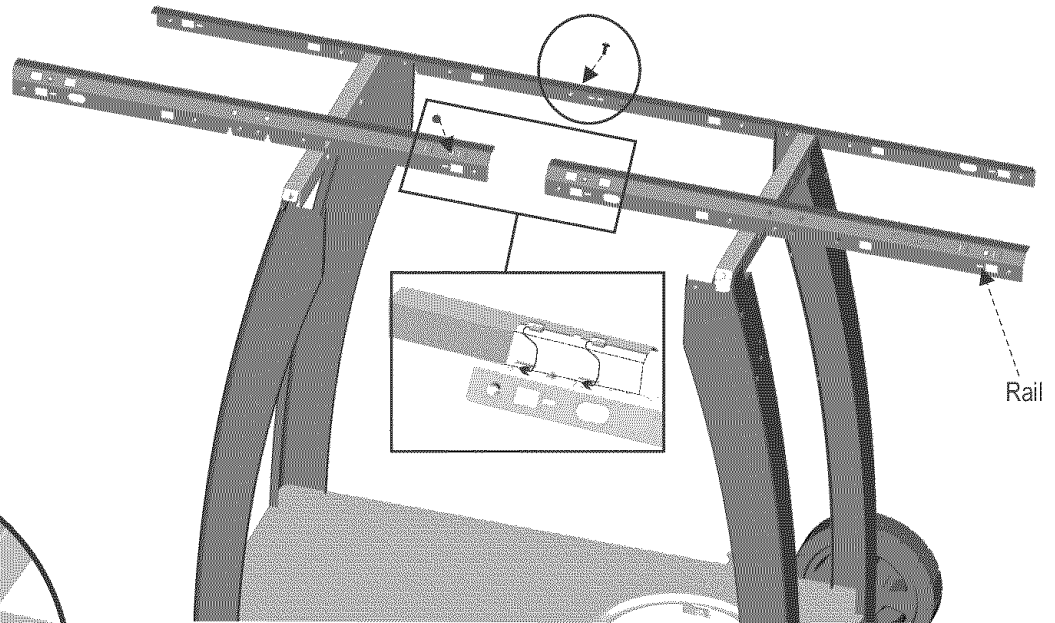
- Overlap rails (all identical) and hook tabs into slots. Pull rails to latch.
- Attach one screw (3) in center of each rail.
- Attach rail to legs with two screws in each corner.

HINT:

Firmly push rail down into leg notches. Attach lower screw first.



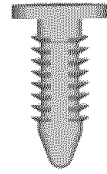
3
Qty:10



4

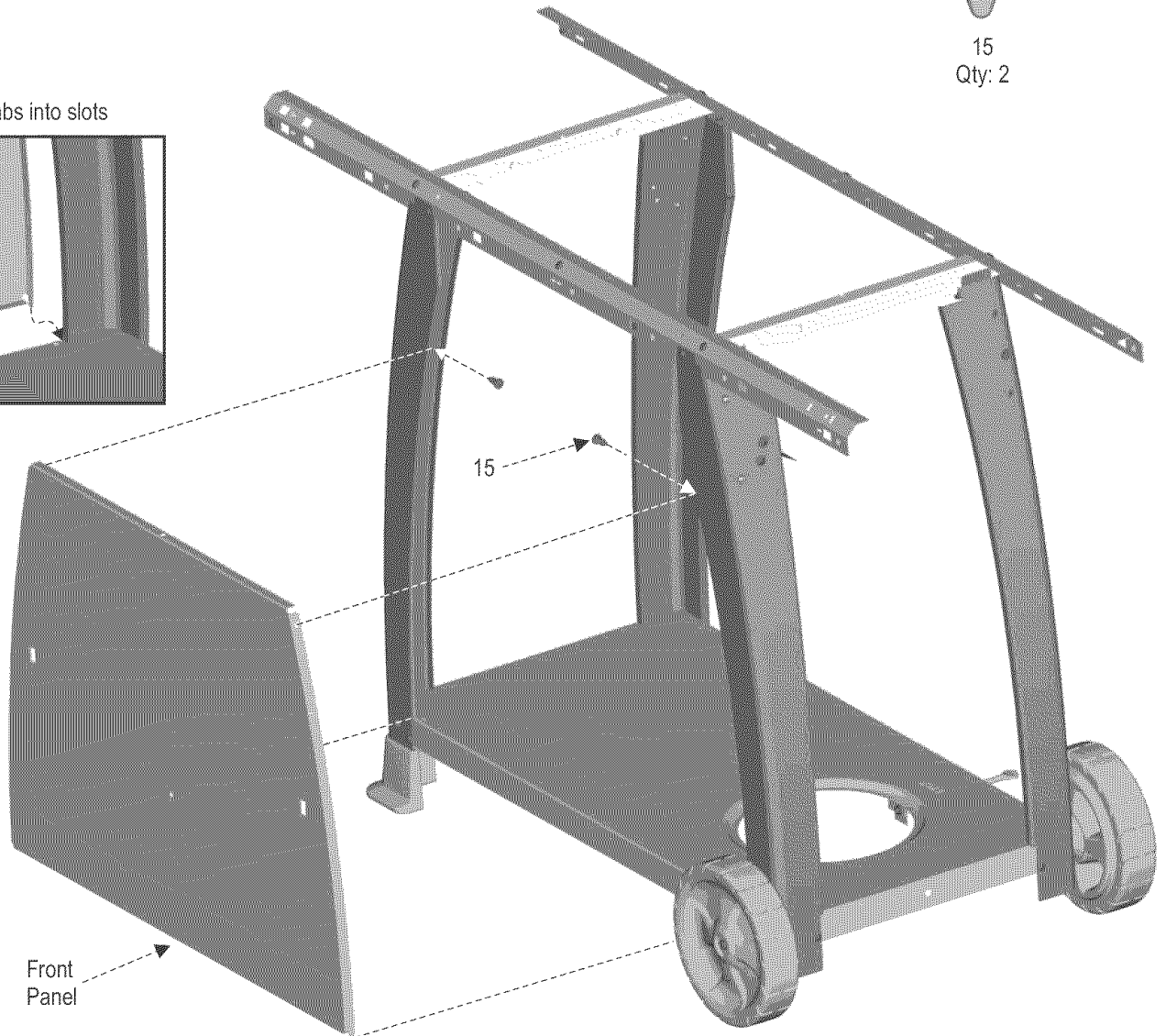
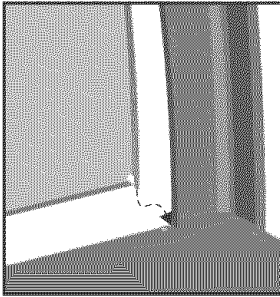
Front Panel

- Position front panel between front legs. Insert tabs on front panel into slots in bottom shelf. See inset below.
- Secure top of panel to legs using push fasteners (15).



15
Qty: 2

Insert tabs into slots

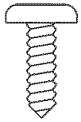


Front
Panel

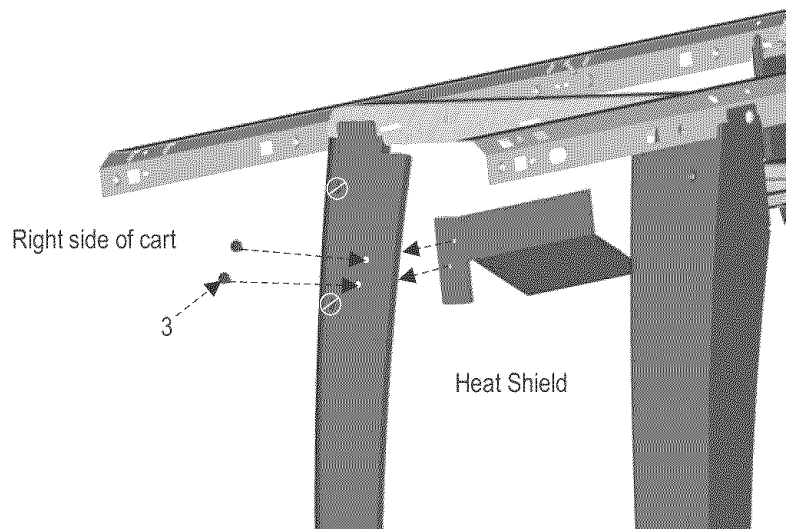
5

Hose Heat Shield

- Attach hose heat shield to right side of cart with two screws (3).



3
Qty: 2



Right side of cart

Heat Shield

6

Grill Bottom Assembly

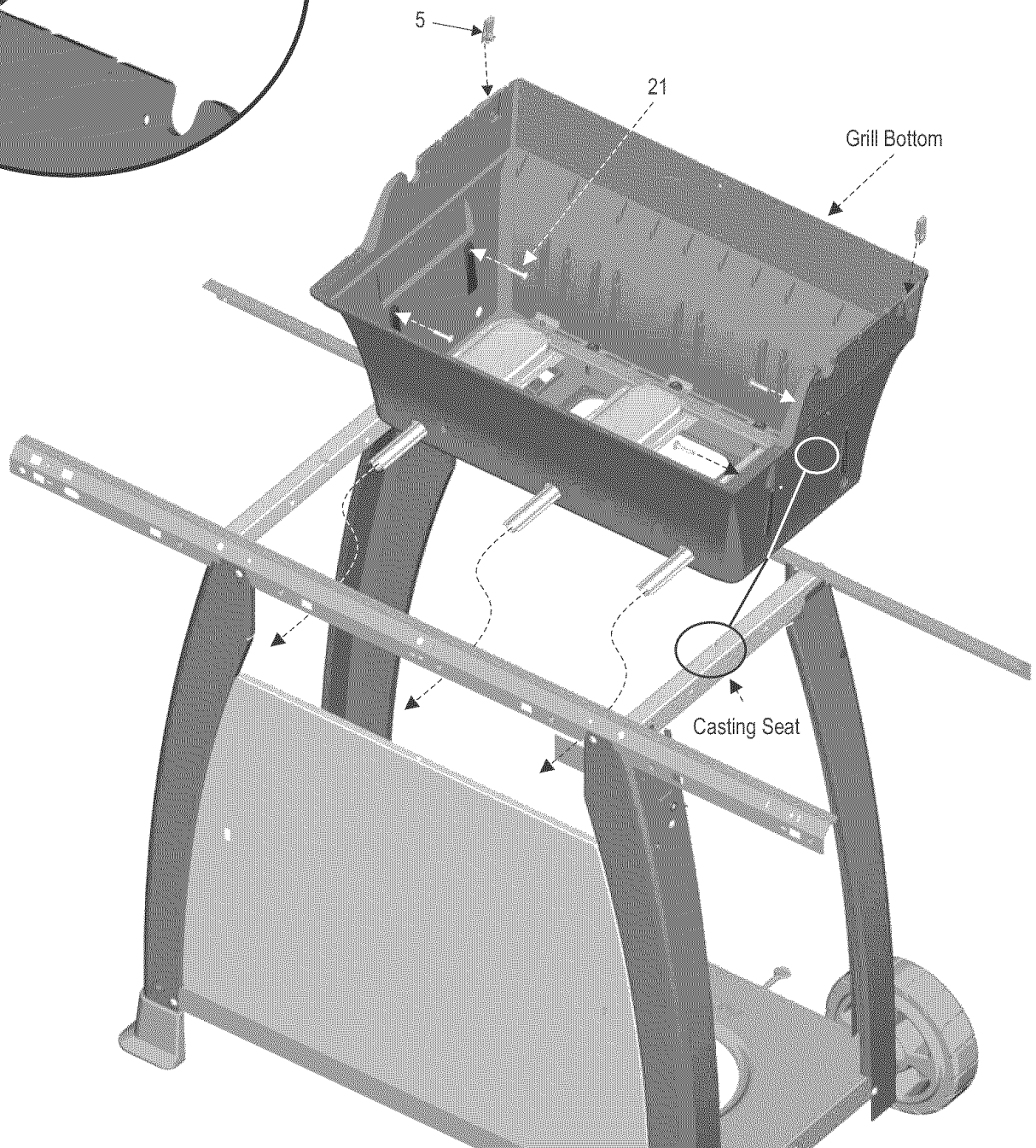
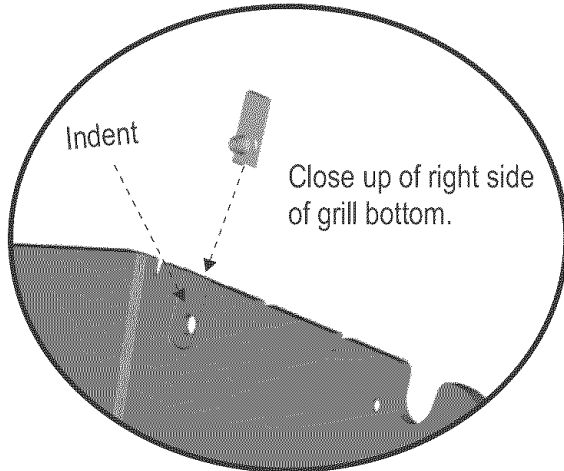
- Angle grill bottom assembly around and under the rails.
- Make sure ribs on each side of bottom casting are nestled into notches on casting seat.
- Attach four screws (21) inside grill bottom and into casting seat.
- Place u-nut (5) as shown into indent on left and right side of grill bottom.



5
Qty: 2
Not to scale



21
Qty: 4

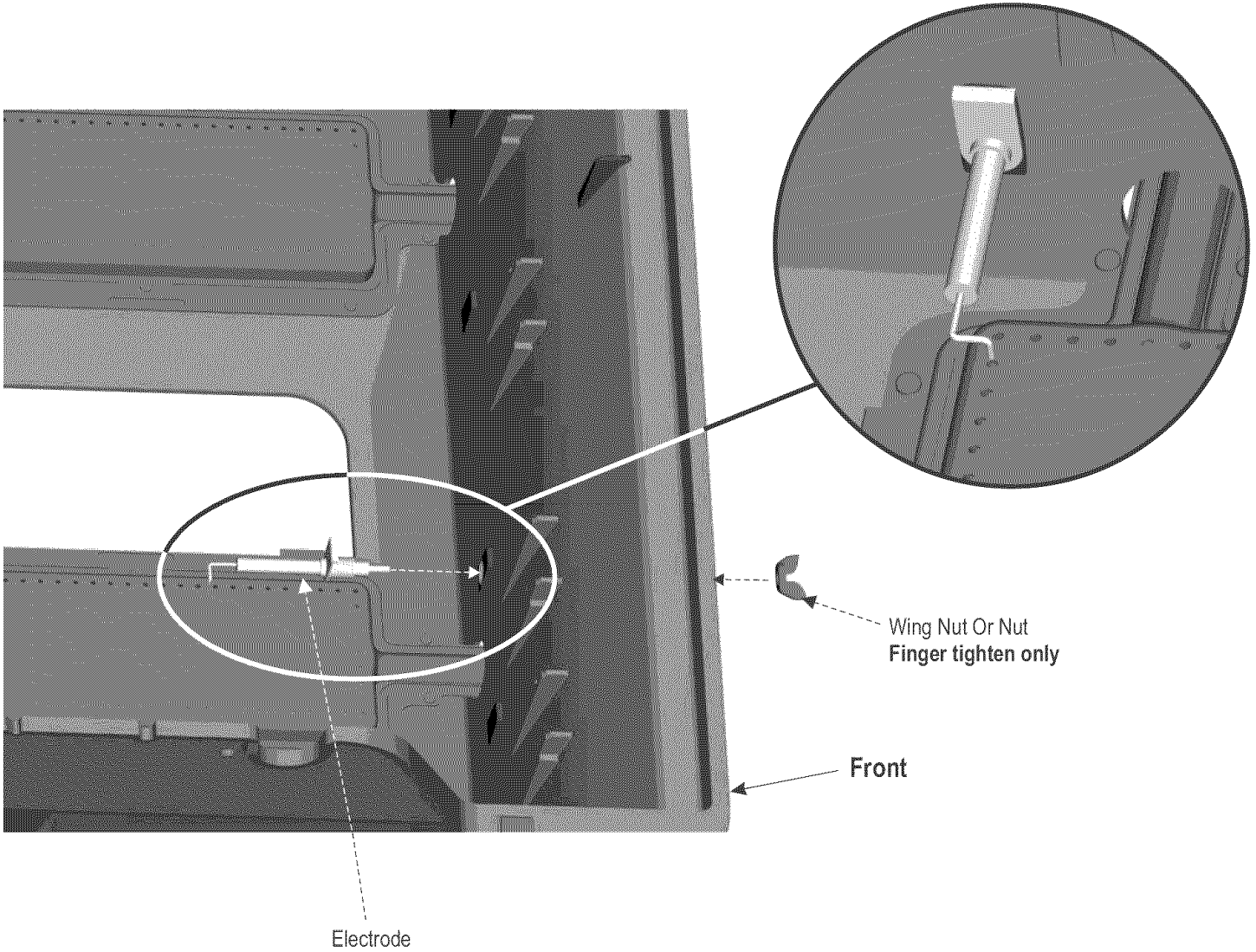


7

Electrode with Wing Nut or Nut

- Inside bottom casting insert electrode and attach with wing nut or nut.

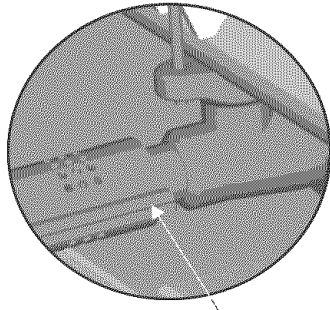
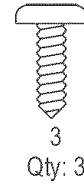
View of electrode attached and aligned with a porthole in the burner.



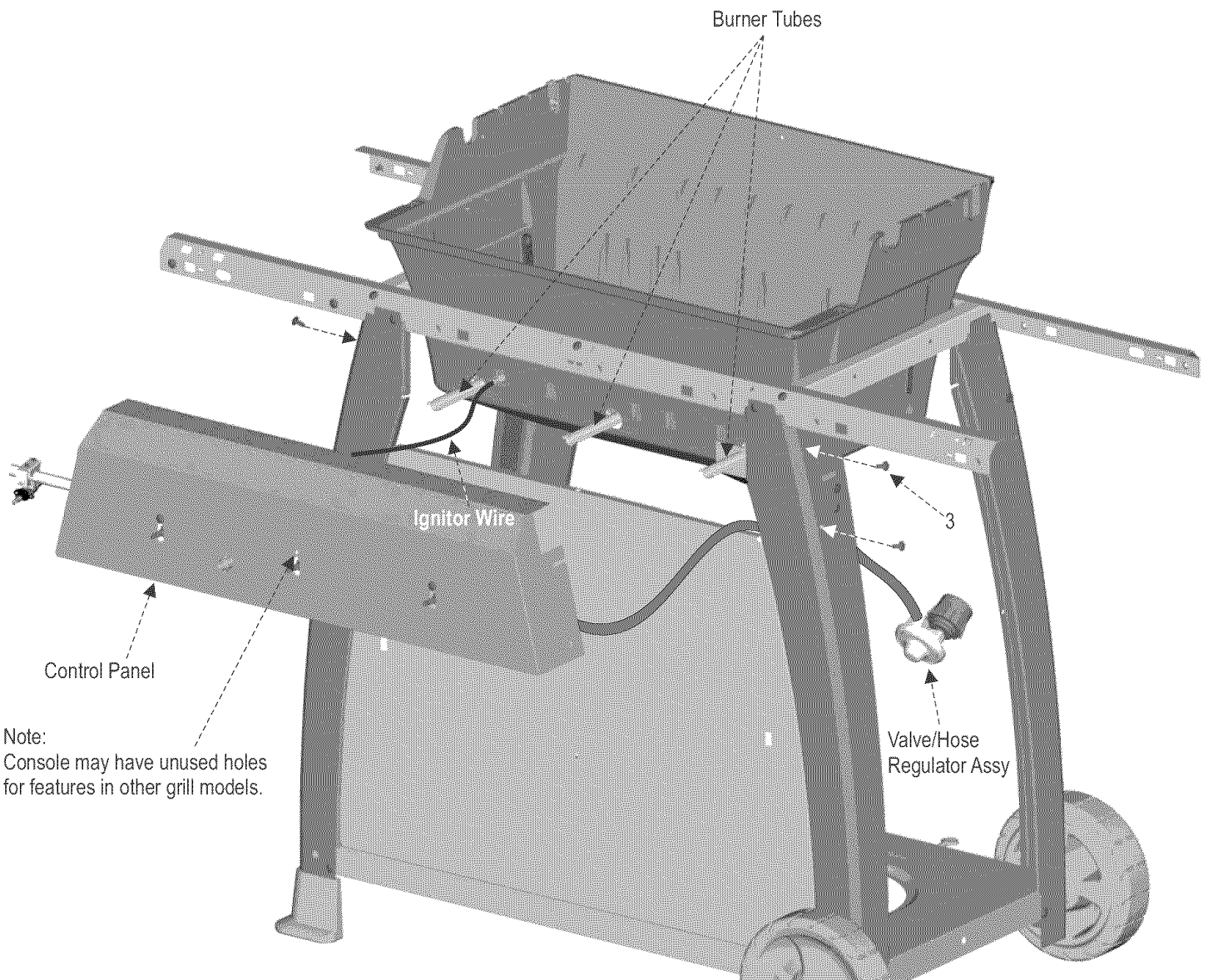
8

Console Assembly

- Hold control panel close to bottom casting. Feed the valve/hose/regulator assembly over the front panel so that it hangs inside the cart.
- Attach short ignitor wire to electrode.
- Position valves into burner tubes (see burner-valve view). Rotate control panel up and rest flange over rail.
- Attach control panel to legs with two screws (3) on right side, one screw in top hole on left side.



Be sure valves are inserted fully into tubes.

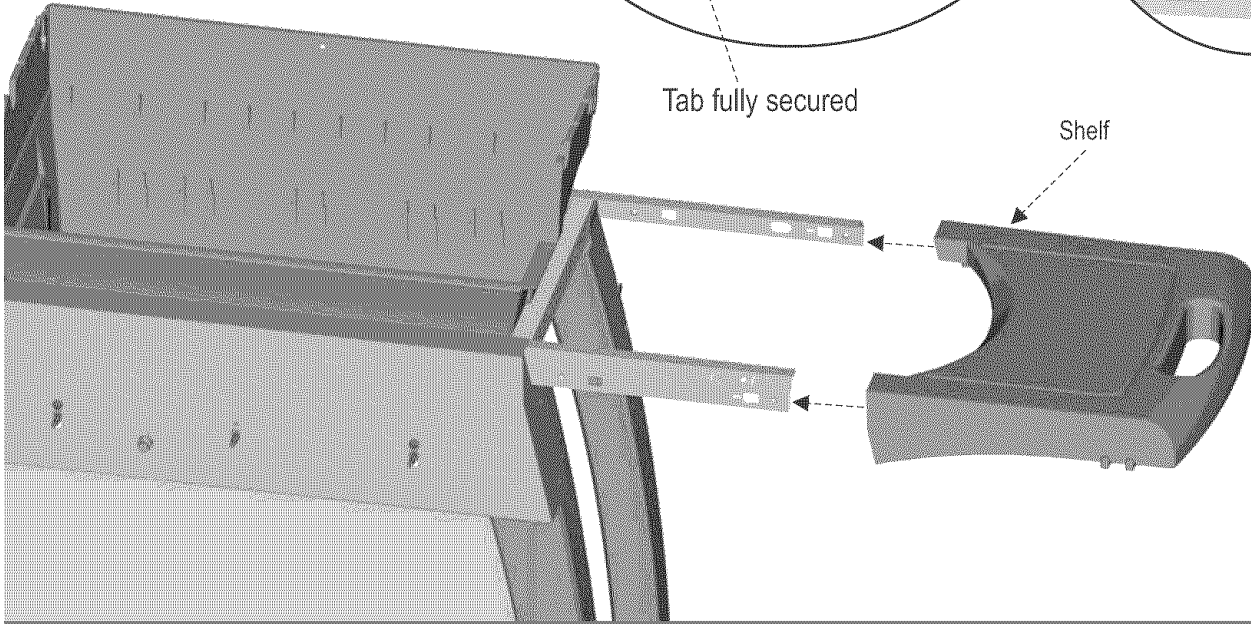
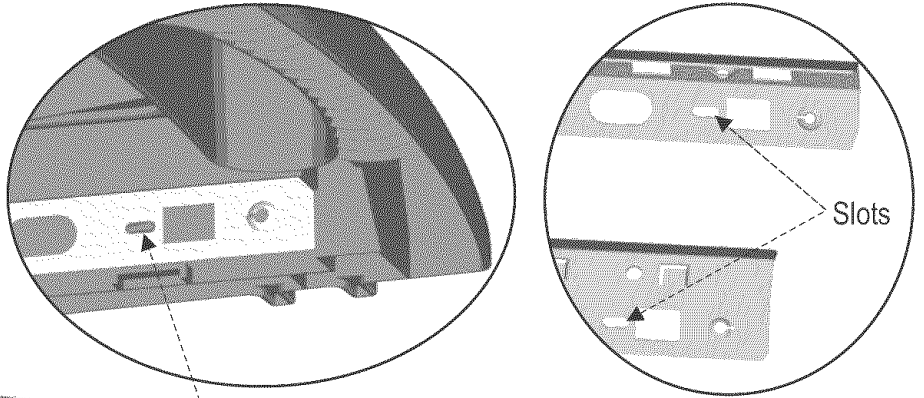


Note:
Console may have unused holes
for features in other grill models.

9

Shelves

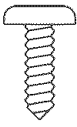
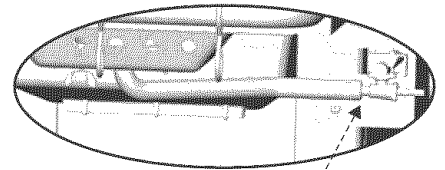
- Slide shelf onto rails until it snaps into place.



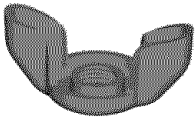
10

Sideburner Assembly

- Slide sideburner shelf onto rails. Attach with four screws (3).
- Insert sideburner into sideburner shelf and onto sideburner valve. Make sure valve fits into sideburner tube. Attach one wing nut (32) to sideburner.

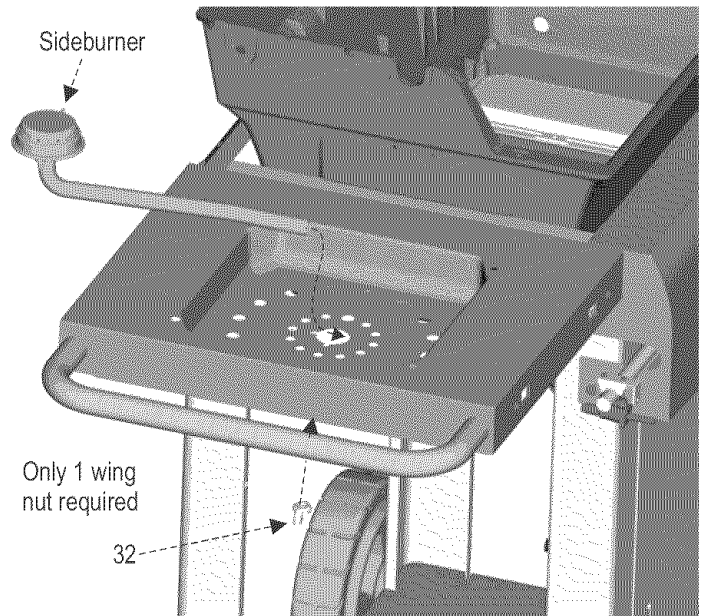
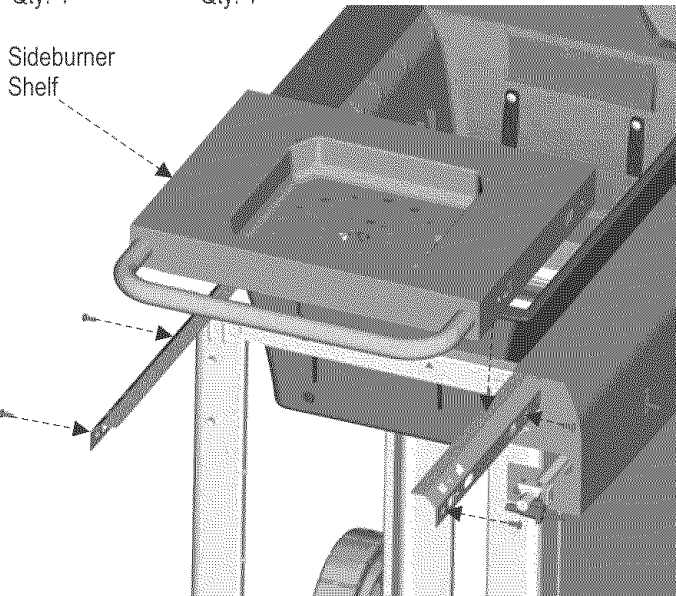


Qty: 4



Qty: 1

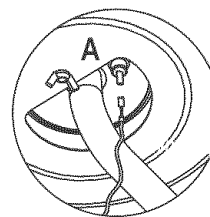
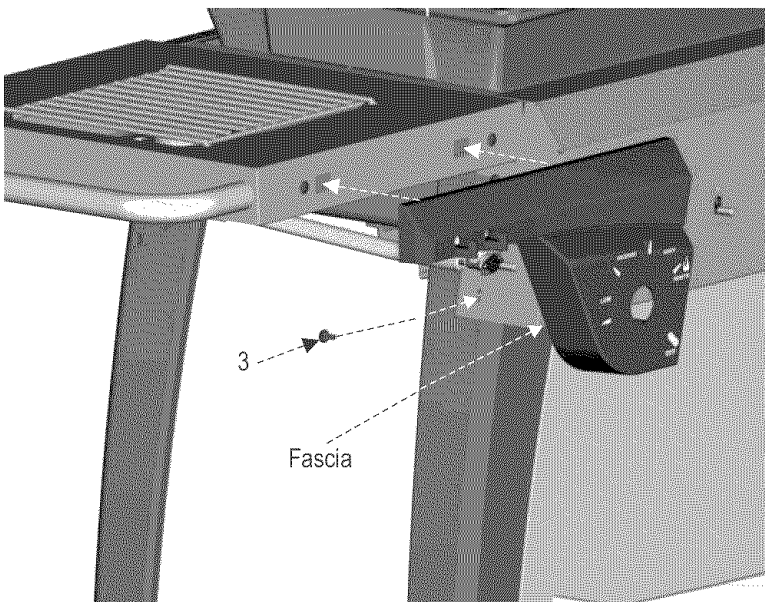
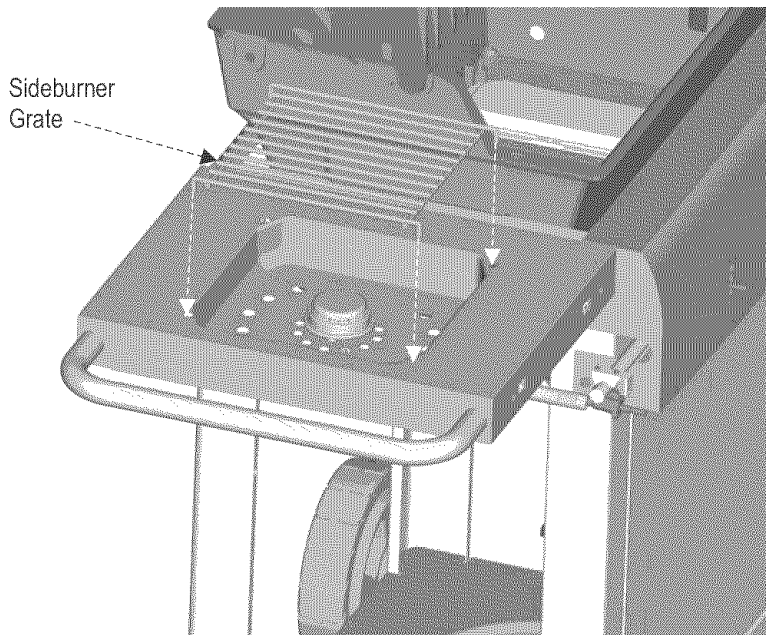
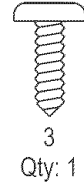
Sideburner Shelf



11

Sideburner Grate and Fascia

- Place sideburner grate onto sideburner assembly.
- Snap fascia into two slots on sideburner assembly. Fasten with one screw (3) into second hole through control panel and leg.
- Attach long wire from electrode ignition module to electrode beneath sideburner A.

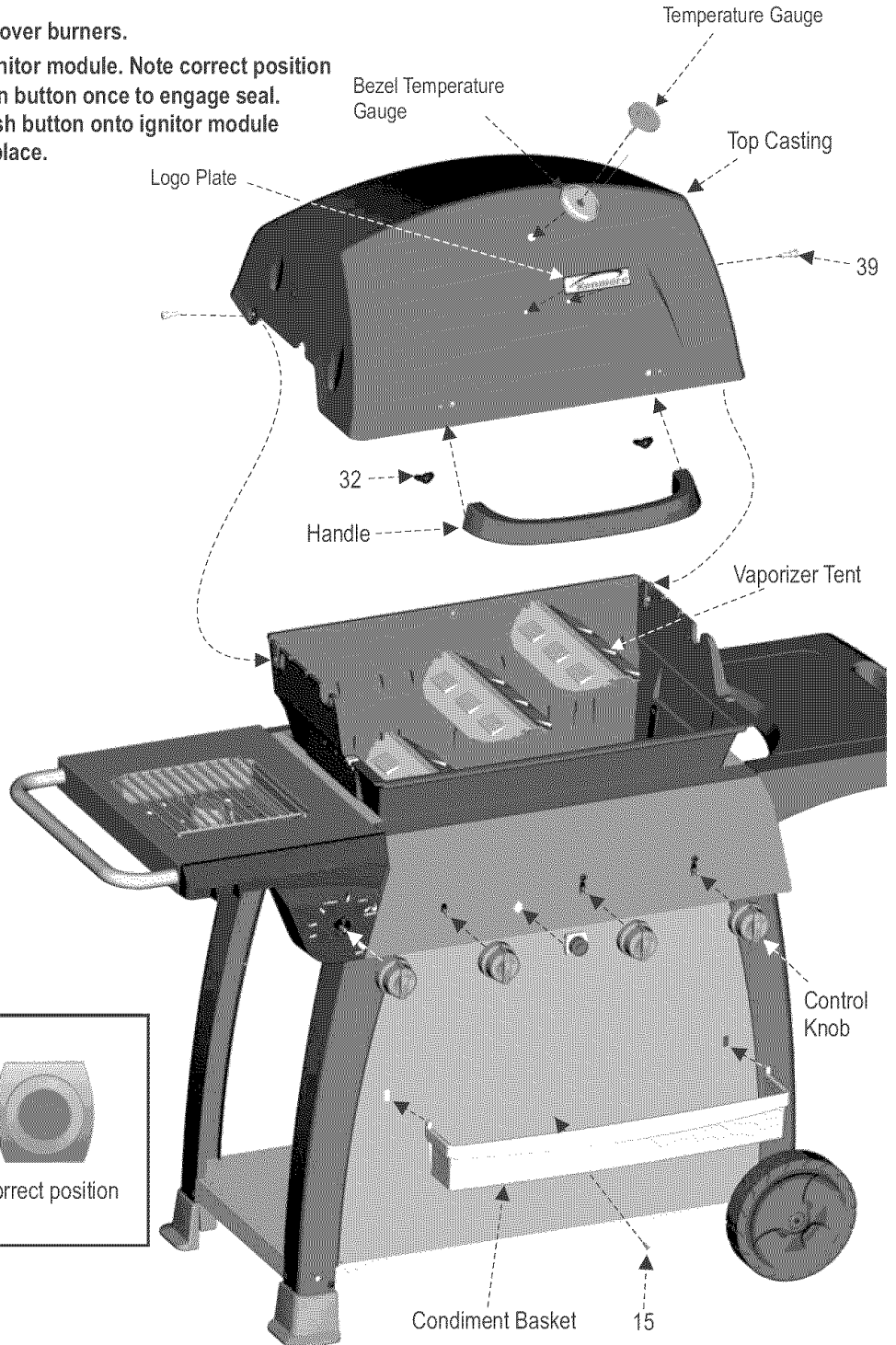
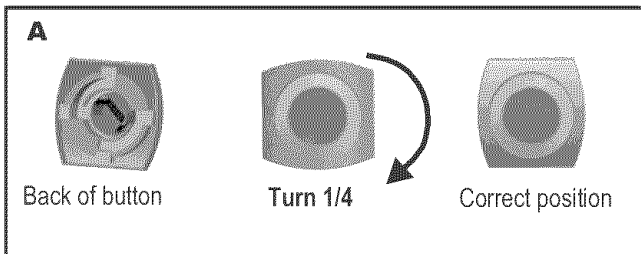
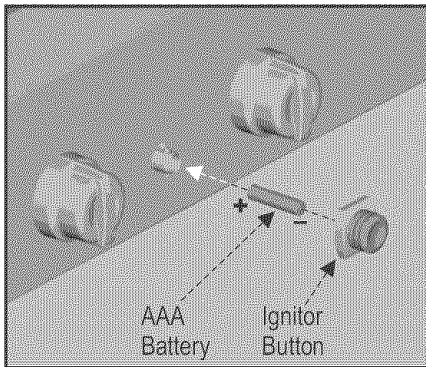
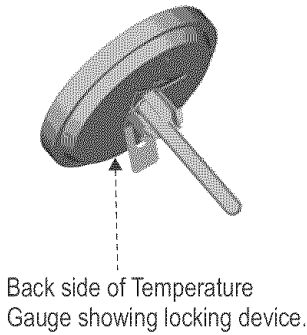
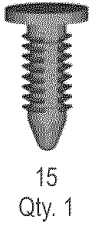
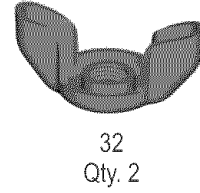
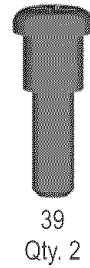


CAUTION:
If there is a plastic sleeve on the sideburner electrode, remove it before connecting the long wire.

12

Top Casting, Handle, Logo Plate, Temperature Gauge, Bezel Temperature Gauge, Control Knobs, Condiment Basket, Vaporizer Tents, Battery and Ignitor Button

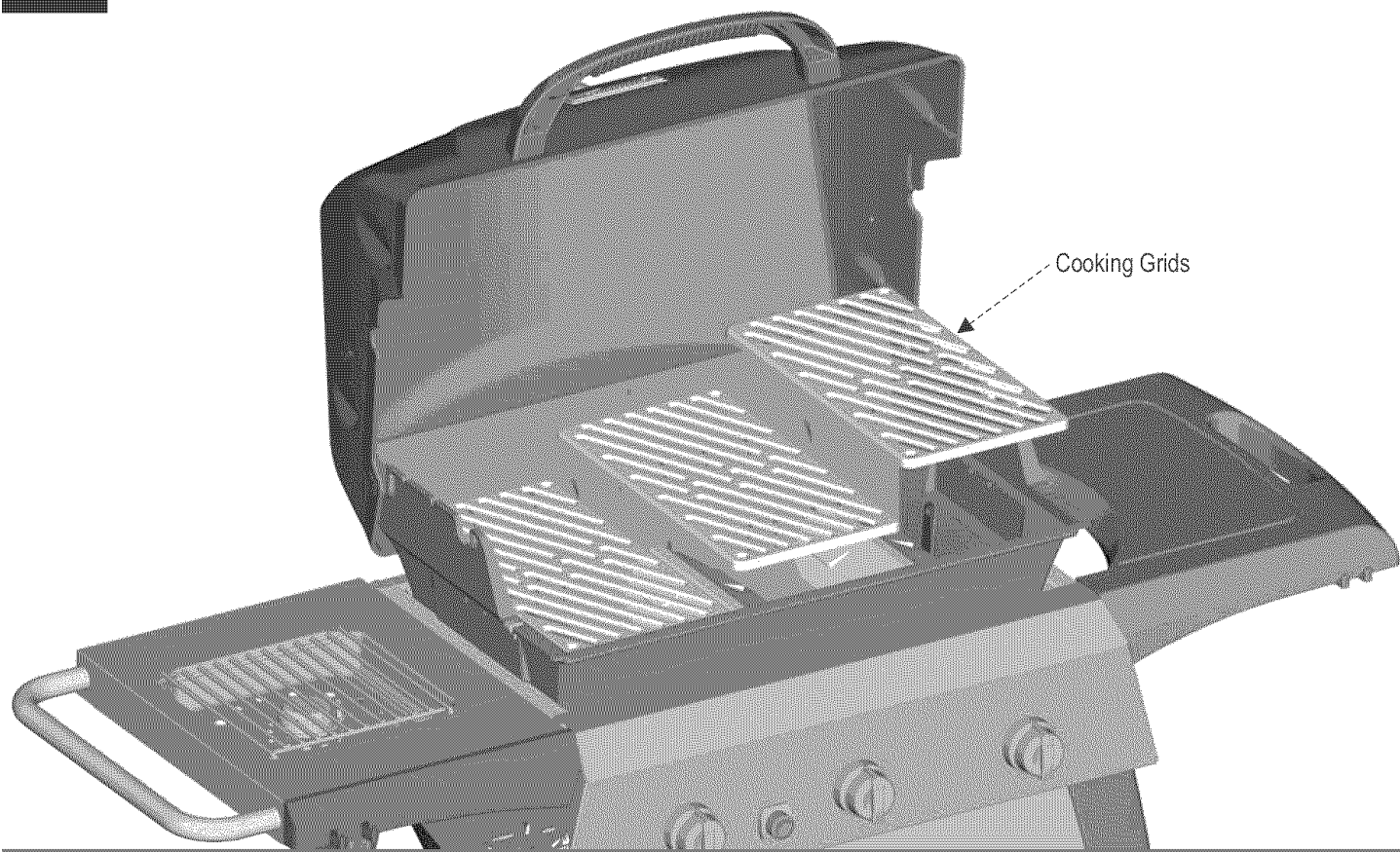
- Attach top casting with shoulder bolts (39).
 - Attach handle with wing nuts (32).
 - Insert logo plate into grill lid.
 - Center bezel over large hole on grill lid.
 - Insert temperature gauge into hole on bezel and grill lid. Gently press temperature gauge down to engage.
- Note:** Do not put bezel on temperature gauge and then place on grill lid. This may damage the locking device on the temperature gauge.
- Push control knobs onto valve stems.
 - Insert tabs on condiment basket into holes in front panel. Fasten with a push pin (15).
 - Place vaporizer tents directly over burners.
 - Insert + side of battery into ignitor module. Note correct position to hold ignitor button. Push on button once to engage seal. If back of button looks like A. Push button onto ignitor module and turn right 1/4 turn to lock in place.



13

Cooking Grids

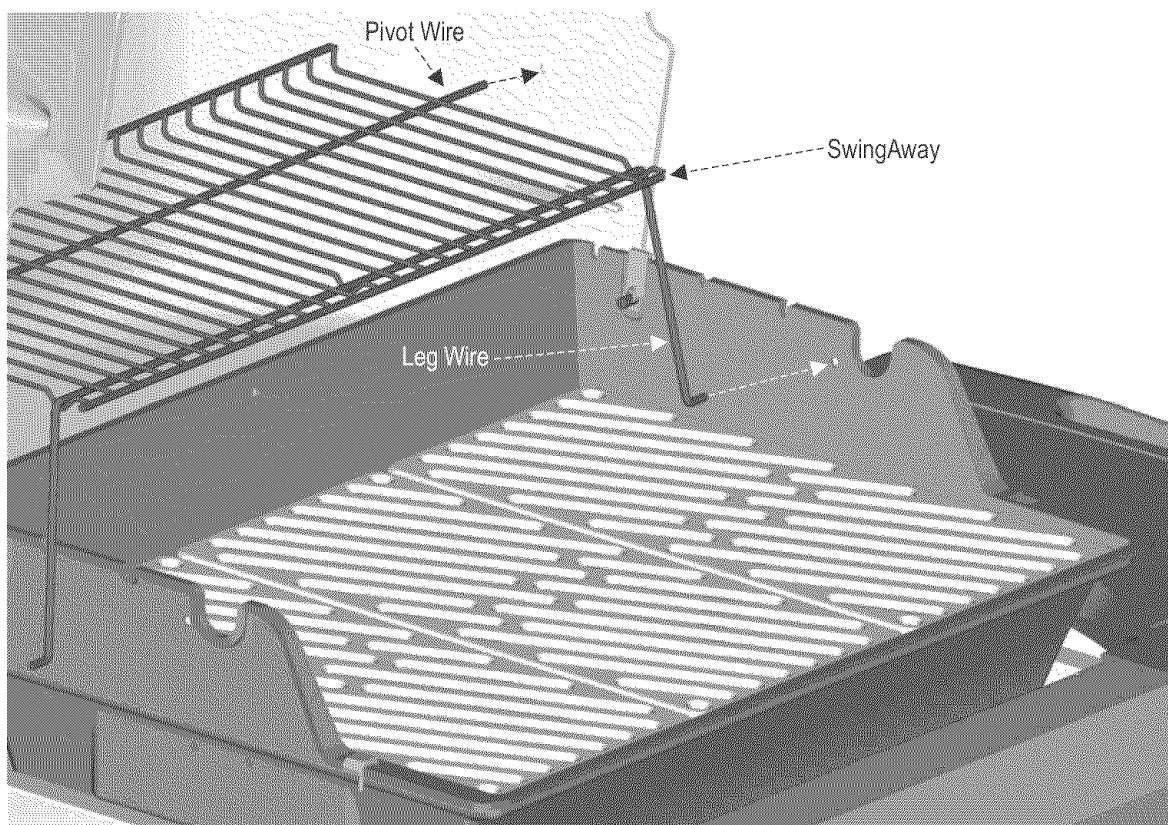
- Place cooking grids onto grid rests.



14

SwingAway

- Insert pivot wire into holes in sides of grill lid.
- Insert leg wire into holes in sides of grill bottom.



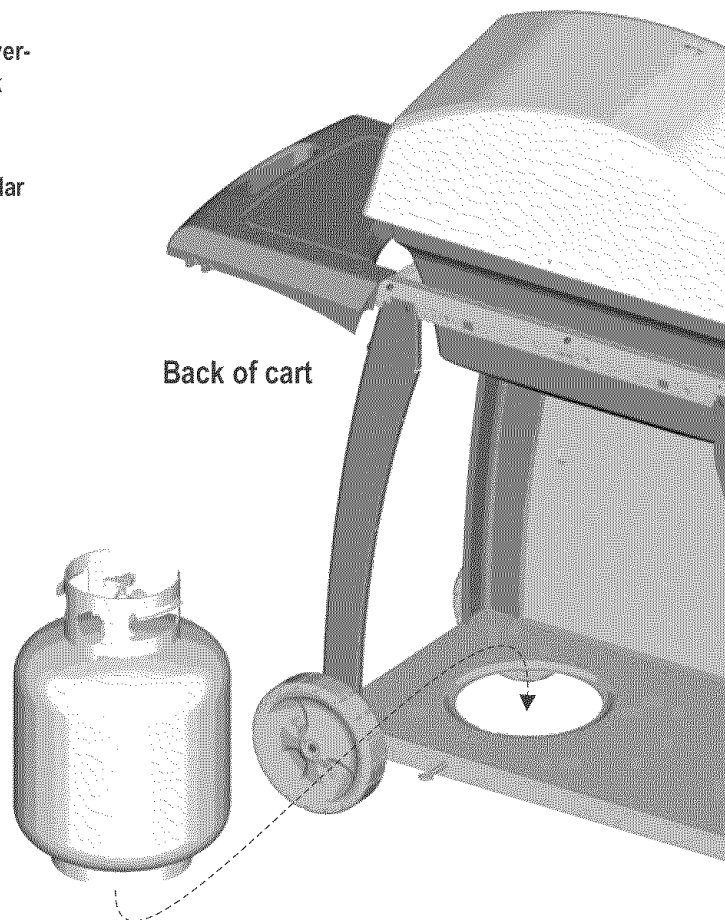
15

LP Tank

- LP tank is sold separately. Use only with an OPD (over-fill protection device) equipped LP tank. Fill and leak check before attaching to grill and regulator.
- Place LP tank into hole in bottom shelf with tank collar opening facing front panel as shown. Finger tighten tank thumbscrew to hold LP tank securely in place.

See Use and Care section to correctly Leak Test and perform the Burner Flame Check.

Back of cart



CAUTION

- Tank collar opening must face to front panel once tank is attached.
- Failure to install tank correctly may allow gas hose to be damaged in operation, resulting in the risk of fire.

16

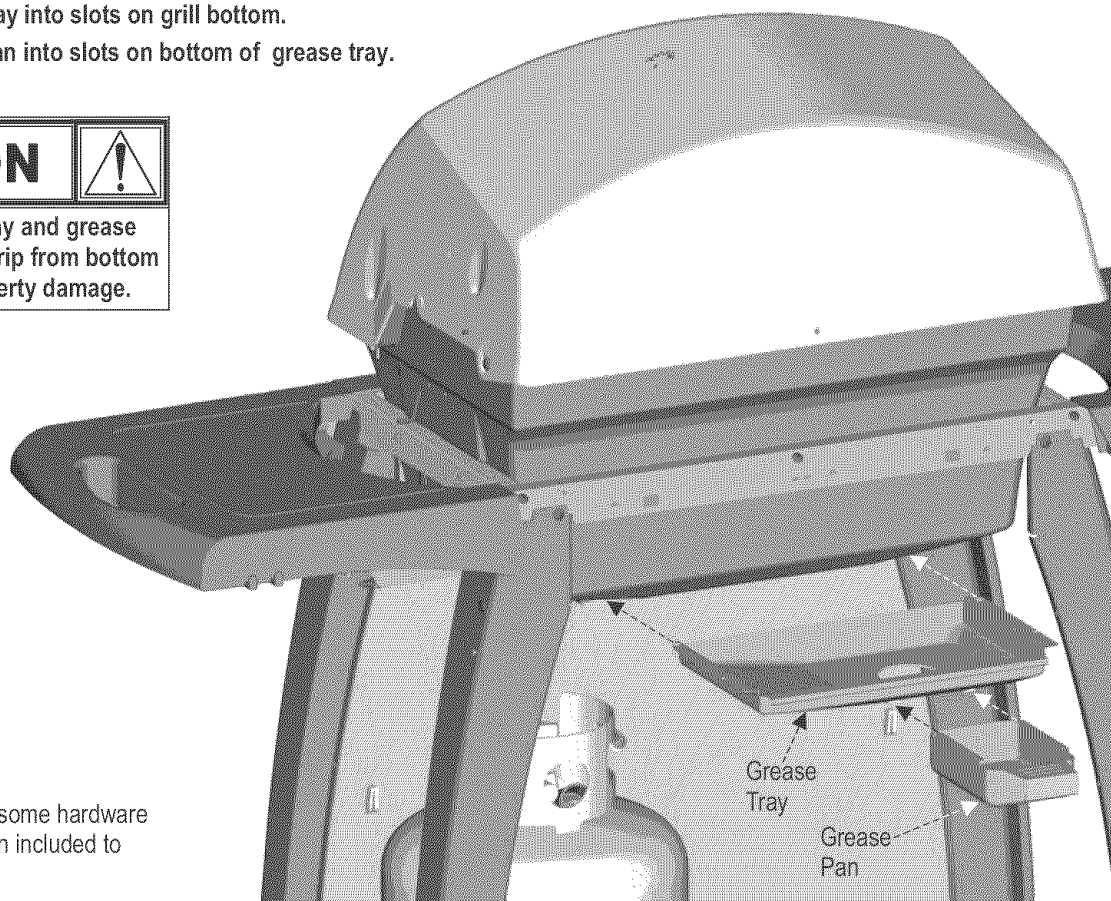
Grease Tray and Grease Pan

- Slide grease tray into slots on grill bottom.
- Slide grease pan into slots on bottom of grease tray.



CAUTION

Failure to install the grease tray and grease pan will cause hot grease to drip from bottom of grill with risk of fire or property damage.



Do not be concerned if you have some hardware left over. Extra hardware has been included to make sure you have enough.

Cooking Table

Cooking times and temperatures may vary according to specific recipes, cooking conditions or barbecue equipment used. Take these factors into consideration to insure best results. If you use the indirect cooking method (indirect cooking is lighting only one burner and placing food on opposite side of cooking grate), allow more grilling time.

Temperatures: High = 650°F / Medium = 450°F / Low = 300°F.

Food	Setting	Cooking Time
Beef Hamburger 1/2" thick	Medium	Med: 7-10 min. / Well done: 10-15 min.
Steak 1/2"	Medium-Hot	Rare: 3-6 min. / Med: 6-9 min. / Well done: 9-12 min.
Roast	Low	Rare: 18-22min. per lb. / Med: 22-28 min. per lb. / Well done: 28-32 min. per lb.
Pork Chops 1/2"	Medium	Well done: 15-20 min.
Ribs 5-6 lbs.	Low-Medium	Well done: 45-90 min.
Roast 3-5 lbs.	Low-Medium	Well done: 18-23 min. per lb.
Ham Steak 1/2"	Medium-Hot	12-15 min.
Ham 5 lb. fully cooked	Low-Medium	20 min. per lb.
Lamb Chops 1/2"	Medium	6-12 min.
Poultry Chicken 2-1/2 to 3-1/2 lbs.	Low	1 hr., 15 min. to 1 hr., 30 min.
Chicken halved or quartered	Low	40-60 min.
Turkey	Low-Medium	18-20 min. per lb.
Seafood Steaks 1" thick	Medium-Hot	Well done: 10-25 min.
Filletts 6-8 oz.	Medium-Hot	8-12 min.
Shrimp large or jumbo	Low-Medium	8-12 min.
Venison Steak 1" thick	Medium	Rare: 8-10 min. / Med: 10-12 min.
Burgers 1/2"	Medium	Rare: 10-12 min. / Med: 12-15 min.
Roast 3-4 lbs.	Low-Medium	Rare: 20-22 min. per lb. / Med: 22-25 min. per lb.
Vegetables Baking Potato whole	Low	<i>Wrap vegetables in foil</i> 55-60 min.
Onions whole	Low	45 min.
Tomatoes half	Medium	30-40 min.
Corn whole	Low	35-45 min.
Mushrooms	Medium	15-20 min.

EMERGENCIES: If a gas leak cannot be stopped, or a fire occurs due to gas leakage, call the fire department.

Emergencies	Possible Cause	Prevention/Solution
Gas leaking from cracked/cut/burned hose.	<ul style="list-style-type: none"> • Damaged hose. 	<ul style="list-style-type: none"> • Turn off gas at LP tank. If hose is cut or cracked, replace valve/hose/regulator. See LP Tank Leak Test and Connecting Regulator To The LP Tank.
Gas leaking from LP tank.	<ul style="list-style-type: none"> • Mechanical failure due to rusting or mishandling. 	<ul style="list-style-type: none"> • Turn off LP tank valve.
Gas leaking from LP tank valve.	<ul style="list-style-type: none"> • Failure of tank valve from mishandling or mechanical failure. 	<ul style="list-style-type: none"> • Turn off LP tank valve. Return LP tank to gas supplier.
Gas leaking between LP tank and regulator connection.	<ul style="list-style-type: none"> • Improper installation, connection not tight, failure of rubber seal. 	<ul style="list-style-type: none"> • Turn off LP tank valve. Remove regulator from cylinder and visually inspect rubber seal for damage. See LP Tank Leak Test and Connecting Regulator To The LP Tank.
Fire coming through control panel.	<ul style="list-style-type: none"> • Fire in burner tube section of burner due to partial blockage. 	<ul style="list-style-type: none"> • Turn off control knobs and LP tank valve. Leave lid open to allow flames to die down. After fire is out and grill is cold, remove burner and inspect for spider nests or rust. See Natural Hazard and Cleaning The Burner Assembly pages.
Troubleshooting: Problem	Possible Cause	Prevention/Solution
Grease fire or continuous excessive flames above cooking surface.	<p>GAS ISSUES:</p> <ul style="list-style-type: none"> • Too much grease buildup in burner area. 	<ul style="list-style-type: none"> • Turn off LP tank valve. Leave lid open to allow flames to die down. After cooling, clean food particles and excess grease from inside firebox area, grease cup/pan/tray, and other surfaces.
Burner(s) will not light using ignitor. <i>Continued on next page.</i>	<ul style="list-style-type: none"> • Trying to light wrong burner. • Burner not engaged with control valve. • Obstruction in burner. • No gas flow. • Vapor lock at coupling nut to LP tank. • Coupling nut and LP tank valve not fully connected. 	<ul style="list-style-type: none"> • See instructions on control panel and section in the Use and Care. • Make sure valves are positioned inside of burner tubes. • Ensure burner tubes are not obstructed with spider webs or other matter. See cleaning section of Use and Care. • Make sure LP tank is not empty. If LP tank is not empty, refer to "Sudden drop in gas flow." • Turn off knobs and disconnect coupling nut from LP tank. Reconnect and retry. • Turn the coupling nut approximately one-half to three-quarters additional turn until solid stop. Tighten by hand only - do not use tools.
	<p>ELECTRICAL ISSUES:</p> <ul style="list-style-type: none"> • Electrode cracked or broken; "sparks at crack." • Electrode tip not in proper position. • Wire and/or electrode covered with cooking residue. • Wires are loose or disconnected. • Wires are shorting (sparking) between ignitor and electrode. 	<ul style="list-style-type: none"> • Replace electrode. • Tip of electrode should be pointing toward port hole in burner. The distance should be 1/8" to 3/16". Adjust if necessary. • Clean wire and/or electrode with rubbing alcohol and clean swab. • Reconnect wires or replace electrode/wire assembly. • Replace ignitor wire.



Troubleshooting (continued)

Problem	Possible Cause	Prevention/Solution
Burner(s) will not light using ignitor.	<ul style="list-style-type: none"> • Push-button sticks at bottom.. • Sparking between ignitor and electrode. 	<ul style="list-style-type: none"> • Replace ignitor. • Inspect wire insulation and proper connection. Replace wires if insulation is broken.
Burner(s) will not match light.	<ul style="list-style-type: none"> • See “GAS ISSUES:” on previous page. • Improper method of match-lighting. 	<ul style="list-style-type: none"> • See “Match-Lighting” section of Use and Care.
Sudden drop in gas flow or low flame.	<ul style="list-style-type: none"> • Out of gas. • Excess flow valve tripped. • Vapor lock at coupling nut/LP tank connection. 	<ul style="list-style-type: none"> • Check for gas in LP tank. • Turn off knobs, wait 30 seconds and light grill. If flames are still low, turn off knobs and LP tank valve. Disconnect regulator. Reconnect regulator and leak-test. Turn on LP tank valve, wait 30 seconds and then light grill. • Turn off knobs and LP tank valve. Disconnect coupling nut from tank. Reconnect and retry.
Flames blow out.	<ul style="list-style-type: none"> • High or gusting winds. • Low on LP gas. • Excess flow valve tripped. 	<ul style="list-style-type: none"> • Turn front of grill to face wind or increase flame height. • Refill LP tank. • Refer to “Sudden drop in gas flow” above.
Flare-up.	<ul style="list-style-type: none"> • Grease buildup. • Excessive fat in meat. • Excessive cooking temperature. 	<ul style="list-style-type: none"> • Clean burners and inside of grill/firebox. • Trim fat from meat before grilling. • Adjust (lower) temperature accordingly.
Persistent grease fire.	<ul style="list-style-type: none"> • Grease trapped by food buildup around burner system. 	<ul style="list-style-type: none"> • Turn knobs to OFF. Turn gas off at LP tank. Leave lid in position and let fire burn out. After grill cools, remove and clean all parts.
Flashback... (fire in burner tube(s)).	<ul style="list-style-type: none"> • Burner and/or burner tubes are blocked. 	<ul style="list-style-type: none"> • Turn knobs to OFF. Clean burner and/or burner tubes. See burner cleaning section of Use and Care manual.
Unable to fill LP tank.	<ul style="list-style-type: none"> • Some dealers have older fill nozzles with worn threads. 	<ul style="list-style-type: none"> • The worn nozzles don't have enough “bite” to engage the valve. Try a second LP dealer.
One burner does not light from other burner(s).	<ul style="list-style-type: none"> • Grease buildup or food particles in end(s) of carryover tube(s). 	<ul style="list-style-type: none"> • Clean carry-over tube(s) with wire brush.

Troubleshooting - Electronic Ignition

Problem (Ignition)	Possible Cause	Check Procedure	Prevention/Solution
<p>SECTION I</p> <p>No sparks appear at any electrodes when ignition button is pushed; no noise can be heard from spark module.</p>	<ul style="list-style-type: none"> Battery not installed properly. Dead battery. Button assembly not installed properly. Faulty spark module. 	<ul style="list-style-type: none"> Check battery orientation. Has battery been used previously? Check to ensure button assembly is fully engaged. Button should travel up and down without binding. If no sparks are generated with new battery and good wire connections, module is faulty. 	<ul style="list-style-type: none"> Install battery (make sure that “-” and “+” connectors are oriented correctly, with “-” end up and “+” end down.) Replace battery with new AAA-size alkaline battery. Remove button cap assembly and reinstall, making sure it can be fully engaged. Replace spark module assembly.
<p>SECTION II</p> <p>No sparks appear at any electrodes when ignition switch is pushed; noise can be heard from spark module.</p>	<ul style="list-style-type: none"> Output lead connections not connected. Electrode tip not in proper position. 	<ul style="list-style-type: none"> Are output connections on and tight? Are the electrode tips pointing in the right direction? Is the gap too big? 	<ul style="list-style-type: none"> Remove and reconnect all output connections at module and electrodes. <p>Main Burners:</p> <ul style="list-style-type: none"> Tip of electrode should be pointing toward port hole in burner. The distance should be 1/8” to 3/16”. <p>Adjust if necessary.</p> <p>Sideburner:</p> <ul style="list-style-type: none"> Tip of electrode should be pointing toward gas port opening on burner. The distance should be 1/8” to 3/16”. <p>Adjust if necessary.</p>
<p>SECTION III</p> <p>Sparks are present but not at all electrodes and/or not at full strength</p>	<ul style="list-style-type: none"> Output lead connections not connected. Arcing to grill away from burner(s). Weak battery. Electrodes are wet. Electrodes cracked or broken “sparks at crack”. 	<ul style="list-style-type: none"> Are output connections on and tight? If possible, observe grill in dark location. Operate ignition system and look for arcing between output wires and grill frame. All sparks present but weak or at slow rate. Has moisture accumulated on electrode and/or in burner ports? Inspect electrodes for cracks. 	<ul style="list-style-type: none"> Remove and reconnect all output connections at module and electrodes. If sparks are observed other than from burner(s), wire insulation may be damaged. Replace wires. Replace battery with a new AAA-size alkaline battery. Use paper towel to remove moisture. Replace cracked or broken electrodes.

Page Blank Intentionally

Page Blank Intentionally

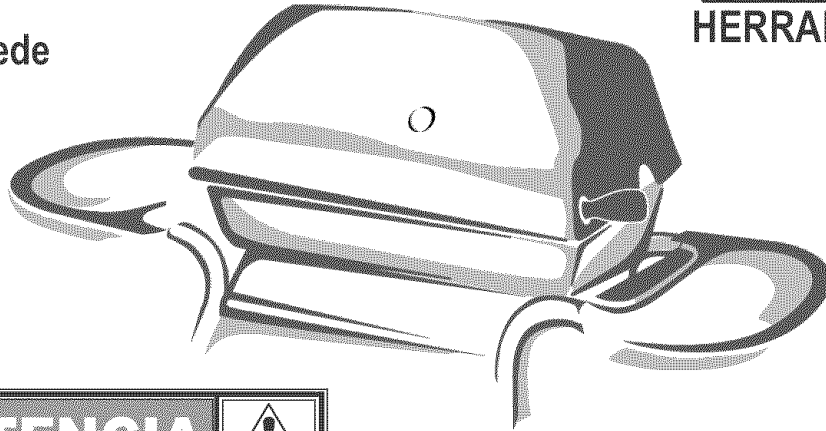
Page Blank Intentionally



Parrilla a gas propano liquido

Modelo No. 415.162340

Esta parrilla sólo se puede usar en exteriores



ADVERTENCIA

- Lea este manual antes de cocinar en la parrilla. El no cumplir con todas las instrucciones del fabricante puede ocasionar incendios o explosiones, que pueden causar daños materiales, lesiones o la muerte.
- Los subproductos de la combustión que se producen al usar este producto contienen sustancias químicas que, a sabiendas del estado de California, causan cáncer, defectos congénitos u otras lesiones al aparato reproductor.

ADVERTENCIA

- Antes de empezar a armar la parrilla y cocinar, lea y siga todas las indicaciones de seguridad, las instrucciones de armado y las instrucciones sobre el uso y el mantenimiento.
- Ciertas partes pueden tener bordes cortantes, especialmente las indicadas en estas instrucciones. Si es necesario, use guantes protectores.

- Piezas
- Armado
- Reglas de seguridad
- Uso y mantenimiento
- Resolución de problemas

¿Preguntas sobre el armado?
Llame al 1-800-241-7548

Pedido de piezas:
Llame al 1-800-4-MY-HOME®

A la persona que instale o arme esta parrilla: Deje estas instrucciones al consumidor.
Al consumidor: Conserve este manual para que lo pueda consultar en el futuro.

Sears, Roebuck and Co., Hoffman Estates, IL 60179 U.S.A.

 **ADVERTENCIA** 

PARA SU SEGURIDAD

1. No guarde ni use gasolina ni otros gases o líquidos inflamables cerca de éste ni de cualquier otro aparato.
2. No guarde un tanque de gas propano, que no esté conectado, cerca de éste ni de cualquier otro aparato.

PARA SU SEGURIDAD

Si huele a gas:

1. Cierre el paso de gas al aparato.
2. Apague toda llama al descubierto.
3. Abra la tapa.
4. Si persiste el olor, llame inmediatamente al proveedor local de gas o a los bomberos.

Comuníquese con el centro de servicio para parrillas para solicitar ayuda o repuestos

Si tiene alguna pregunta o necesita ayuda durante el armado, llámenos al **1-800-241-7548**. Hablará con un representante del fabricante de la parrilla, no con un empleado de Sears. Para pedir piezas nuevas, llame a Sears al **1-800-4-MY-HOME®**.

Información de garantía

IMPORTANTE: Llene la siguiente información de garantía.

Número de modelo _____

Número de serie _____

El número de serie se encuentra en la etiqueta de especificaciones de la parrilla.

Fecha de compra _____

 **ADVERTENCIA** 

Para el uso residencial solamente. No utilice para cocinar comercial.

Símbolos de seguridad

Los símbolos y las casillas ilustradas más adelante explican lo que significa cada encabezado. Lea y cumpla lo indicado en los mensajes que se encuentran en todo el manual.

 **PELIGRO** 

PELIGRO: Indica una situación peligrosa inminente que, de no evitarse, podría causar la muerte o lesiones graves.

 **ADVERTENCIA** 

ADVERTENCIA: Indica una situación potencialmente peligrosa que, de no evitarse, podría causar la muerte o lesiones graves.

 **ADVERTENCIA** 

ADVERTENCIA: Indica una situación potencialmente peligrosa o insegura que, de no evitarse, podría causar lesiones leves o menores.

Medidas de seguridad para la instalación

- Use la parrilla únicamente con gas propano y con la unidad reguladora / de válvula suministrada.
- La instalación de la parrilla se debe realizar de conformidad con los códigos locales o, en su defecto, con el **National Fuel Gas Code (Código nacional sobre gases combustibles), NFPA 54 / ANSI Z223.1**. El manejo y el almacenamiento de los cilindros de gas propano se debe realizar de conformidad con el código sobre gas propano **NFPA/ANSI 58**. No se debe usar la parrilla en vehículos de recreo ni en embarcaciones.
- Todos los accesorios eléctricos (tal como el asador) deben estar conectados a tierra de conformidad con los códigos locales o con el **National Electrical Code (Código nacional sobre electricidad), ANSI / NFPA 70**. Mantenga todo cable eléctrico o tubería de suministro de combustible alejados de las superficies calientes.
- Esta parrilla únicamente cuenta con la certificación de seguridad para ser usada en los Estados Unidos. No la modifique para usarla en ningún otro lugar. Es peligroso el modificarla.

ÍNDICE DE MATERIAS

Por su propia seguridad	34
Centro de servicio para parrillas	34
Información de garantía	34
Símbolos de seguridad	34
Medidas de seguridad para la instalación	34
Garantía para la parrilla Kenmore	35
Uso y mantenimiento	36-43
Lista de piezas	44
Vista esquemática de las piezas	45
Armado	46-57
Tabla de tiempos de cocción	58
Resolución de problemas	59-61

Contratos de protección contra los gastos de reparaciones

Felicitaciones por una sabia adquisición. Su nuevo producto Kenmore® ha sido diseñado y fabricado para ofrecerle muchos años de funcionamiento fiable. Pero, como ocurre con todo producto, es posible que sea necesario repararlo de vez en cuando. Ésa es la razón por la que el contar con un contrato de protección contra los gastos de reparaciones puede ahorrarle dinero y molestias.

Adquiera ahora un contrato de protección contra los gastos de reparaciones y protéjase contra los inconvenientes y los gastos inesperados.

El contrato le ofrece lo siguiente:

- ✓ **Servicio experto** que ofrecen nuestros 12,000 especialistas en reparaciones profesionales
- ✓ **Servicio ilimitado sin cargo** por piezas ni mano de obra para todas las reparaciones amparadas por el contrato
- ✓ **Cambio del producto** si no se puede reparar su producto amparado por el contrato
- ✓ **Descuento de un 10%** del precio regular del servicio de mantenimiento y de las piezas utilizadas en el servicio de mantenimiento que no estén amparadas por el contrato; además, un descuento de un 10% del precio regular de los controles de mantenimiento preventivo
- ✓ **Asistencia inmediata por teléfono** – asistencia telefónica por parte de un técnico de Sears para los productos que requieran de reparaciones en casa, además puede programar las citas para las reparaciones a las horas más convenientes para usted

Una vez que haya adquirido los servicios que le ofrece el contrato, le bastará una llamada telefónica para concertar una cita para las reparaciones. Puede llamar a cualquier hora del día o de la noche, o puede concertar en línea una cita.

Sears cuenta con más de 12,000 especialistas en reparaciones profesionales, quienes disponen de acceso a más de 4.5 millones de piezas y accesorios de calidad. Ése es el tipo de profesionalidad que puede esperar para ayudar a prolongar durante muchos años la vida útil de su nueva adquisición. ¡Compre hoy su contrato de protección contra los gastos de reparaciones!

Son aplicables algunas limitaciones y exclusiones.

Pida mayor información y precios llamando al 1-800-827-6655.

Servicio de instalación de Sears

Para la instalación profesional por Sears de electrodomésticos, dispositivos para abrir puertas de cocheras, calentadores de agua, y otros artefactos para el hogar, en EE UU llame al

1-800-4-MY-HOME®.

GARANTÍA

GARANTÍA PARA LA PARRILLA KENMORE

Garantía completa de un año para la parrilla Kenmore. Si, en el plazo de un año desde la fecha de compra, esta parrilla tiene defectos de material o de mano de obra, llame al 1-800-4-MY-HOME® para que la reparen sin cargo alguno.

Garantía limitada adicional para piezas específicas de la parrilla

Se cambiará las siguientes piezas específicas de la parrilla que tengan defectos de material o de mano de obra, durante los plazos señalados a continuación: A usted se le cobrará el costo de la mano de obra.

- Pieza de aluminio fundido superior e inferior: para toda la vida
- Unidad de quemador de acero inoxidable: Dos años desde la fecha de compra.

El amparo de las garantías excluye las pilas y la pérdida de la pintura o la herrumbre de cualquier pieza no reutilizable de la parrilla que se pueda gastar en menos de un año debido al uso normal, o debido a condiciones que resulten del uso normal, accidentes o mantenimiento inadecuado.

El amparo de todas las garantías quedará nulo y sin valor si la parrilla se usa para fines comerciales o de alquiler.

Esta garantía le otorga derechos específicos, y es posible que usted tenga otros derechos que pueden variar de un estado a otro.

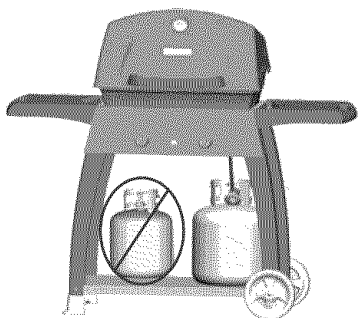
Sears, Roebuck and Co., Dept. 817WA,
Hoffman Estates, IL 60179



PELIGRO



- Nunca guarde los cilindros de gas de repuesto debajo del aparato, cerca del mismo, ni en áreas cerradas.
- Nunca cargue el cilindro más del 80%.
- Los cilindros sobrecargados o mal almacenados son peligrosos, ya que la válvula de seguridad puede dejar escapar gas. Esto puede provocar incendios intensos que pueden causar daños materiales, lesiones graves o la muerte.

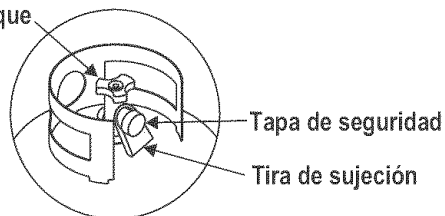


- Si observa, huele o escucha una fuga de gas, aléjese de inmediato del tanque / de la parrilla y llame a los bomberos.

Remoción, transporte y almacenamiento del tanque

- CIERRE todas las perillas de control y la válvula del tanque. Gire la tuerca de unión en sentido contrario a las agujas del reloj, a mano solamente; no use herramientas para desconectarla. Retire el dispositivo que sujeta el tanque de gas, luego levántelo para sacarlo del soporte de apoyo. Instale la tapa de seguridad en la válvula del tanque de gas. Use siempre la tapa y la correa que vienen con la válvula. **Si la tapa de seguridad no se usa tal como se indica, esto puede ocasionar lesiones o daños materiales graves.**

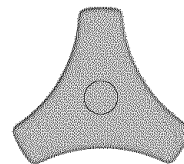
Válvula del tanque de gas



- Los tanques de gas desconectados, guardados o en transporte, deben tener instalada la tapa de seguridad (como se ilustra). No guarde el tanque de gas en sitios cerrados, tales como: cocheras, garajes, porches, patios techados u otras edificaciones. Nunca deje un tanque de gas dentro de un vehículo, donde el sol lo pueda recalentar.
- No guarde el tanque de gas en lugares donde jueguen los niños.

Tanque de gas

- El tanque de gas que se use con su parrilla debe cumplir los siguientes requisitos:
- Use únicamente tanques de gas que tengan las siguientes medidas obligatorias: 12" (30.5 cm) (diámetro) x 18" (45.7 cm) (altura), con una capacidad máxima de 20 lb. (9 kg.).
- Los tanques de gas propano deben ser fabricados y codificados según las especificaciones del Departamento de Transporte de los Estados Unidos (DOT), para tanques de gas propano. El código se encuentra en el collarín del tanque de gas.
- La válvula del tanque de gas debe tener:
 - Una salida de tipo 1, compatible con el regulador o la parrilla.
 - Una válvula de paso de seguridad.
 - Un dispositivo de seguridad volumétrica (OPD por sus siglas en inglés) certificado por UL. Esta característica de seguridad OPD se identifica mediante una manilla de forma triangular.



Manilla del dispositivo de seguridad volumétrica

Use únicamente tanques equipados con válvulas de este tipo.

- El tanque de gas debe tener un dispositivo de extracción del vapor y venir con un collarín para proteger su válvula.

El gas propano (GLP)

- Es atóxico, inodoro e incoloro en el momento en que se produce. **Por su propia seguridad**, al gas propano se le ha incorporado un olor (parecido al de la col podrida), de modo que se pueda oler.
- El gas propano es sumamente inflamable y se puede encender en forma inesperada al mezclarse con el aire.

Carga de tanques de gas propano


- Recorra solamente a vendedores autorizados y con experiencia.
- El vendedor de gas debe purgar el tanque nuevo antes de cargarlo.
- El vendedor no debe cargar **NUNCA** el tanque de gas a más del 80% de su volumen. El volumen de propano en el tanque puede variar con la temperatura.
- Si el regulador está empañado, eso indica que el tanque está sobrecargado. Cierre de inmediato la válvula del tanque y solicite ayuda del vendedor de gas propano.
- No deje escapar gas propano a la atmósfera. Ésta es una práctica peligrosa.
- Solicite ayuda del vendedor de propano o de los bomberos para vaciar el gas de su tanque. Identifique a los vendedores autorizados de propano de su región en la sección de "compañías de gas" de la guía telefónica.

Reposición del tanque de gas


- Muchos comerciantes minoristas que venden parrillas, le ofrecen la opción de reponer su tanque de gas vacío mediante un servicio de recambio. Emplee únicamente empresas de recambio de buena reputación, que inspeccionen, carguen con precisión, verifiquen y certifiquen sus cilindros. **Cambie su tanque sólo por otros tanques equipados con el dispositivo de seguridad volumétrica que se describe en la sección de Tanques de gas de este manual.**
- Siempre mantenga los tanques de gas nuevos y de repuesto en posición vertical durante su uso, su transporte o su almacenamiento.
- **Verifique que el tanque de gas no tenga fugas ANTES de conectarlo a la parrilla.**

Prueba para detectar fugas del tanque de gas propano Para su seguridad

- Se debe efectuar la prueba para detectar fugas cada vez que se cambie o se recargue el tanque.
- No fume durante la prueba para detectar fugas.
- No use una llama al descubierto para comprobar si el tanque tiene fugas.
- La prueba para detectar fugas de la parrilla se debe efectuar al aire libre, en un área bien ventilada, alejada de toda fuente de ignición tal como los artefactos a gas o eléctricos. Durante la prueba para detectar fugas, mantenga la parrilla alejada de las llamas al descubierto o de las chispas.
- Use una brocha de pintura limpia y una solución al 50/50, de agua y jabón suave. Use jabón suave y agua. No use productos de limpieza del hogar. Esto puede dañar los componentes del circuito de gas.

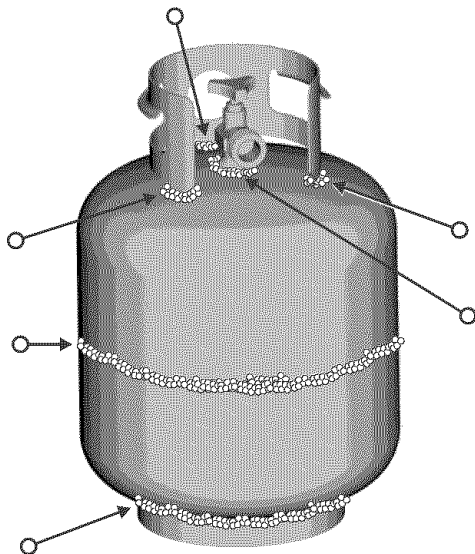


ADVERTENCIA



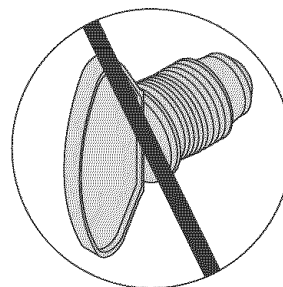
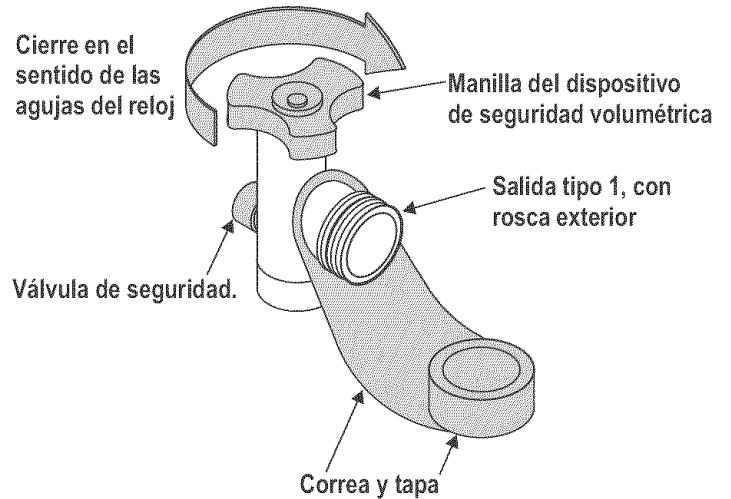
Si aparecen burbujas que aumentan de tamaño, no use ni mueva el tanque de gas. ¡Comuníquese con el distribuidor de gas propano o con los bomberos!

- ▲ **No use productos de limpieza del hogar.** Esto puede dañar los componentes del circuito de gas.



Cómo conectar el regulador al tanque de gas propano

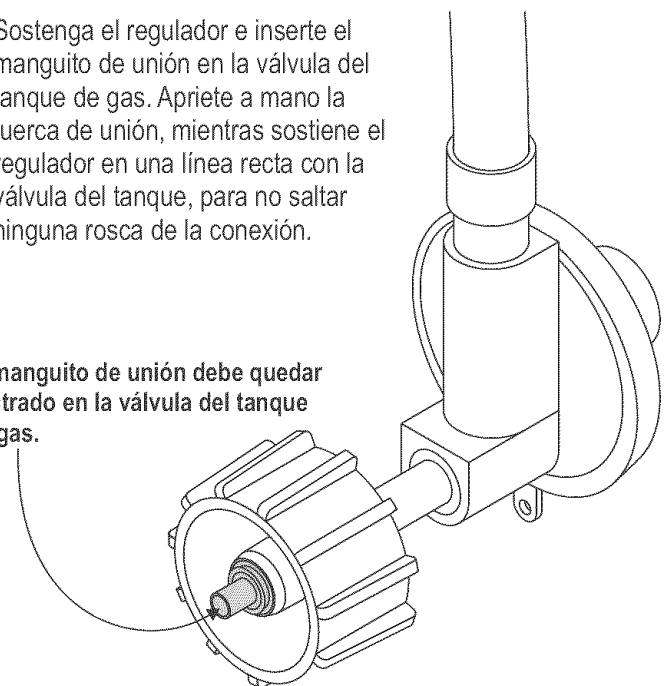
1. El tanque de gas debe estar bien conectado a la parrilla. (Consulte el Manual de armado).
2. Gire todas las perillas de control, incluyendo la del quemador lateral (si la parrilla lo trae), a la posición apagado (OFF).
3. **CIERRE** el tanque de gas, girando la manivela en el sentido de las agujas del reloj, **hasta que se detenga**.
4. Retire la tapa protectora de la válvula del tanque de gas. Use siempre la tapa y la correa que vienen con la válvula.

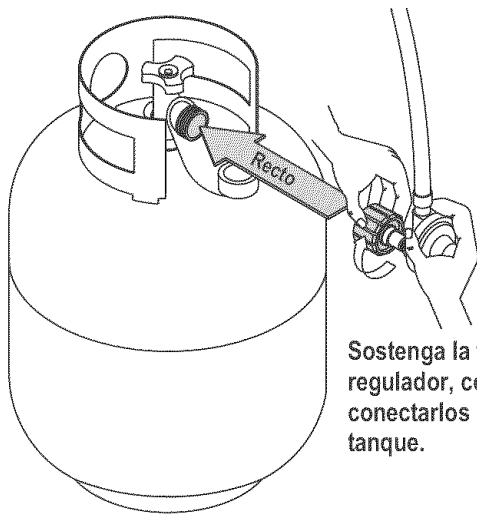


No use un tapón POL para transporte (la pieza de plástico con roscas en el exterior). Anulará la característica de seguridad de la válvula.

5. Sostenga el regulador e inserte el manguito de unión en la válvula del tanque de gas. Apriete a mano la tuerca de unión, mientras sostiene el regulador en una línea recta con la válvula del tanque, para no saltar ninguna rosca de la conexión.

El manguito de unión debe quedar centrado en la válvula del tanque de gas.





Sostenga la tuerca de unión y el regulador, como se ilustra, para conectarlos bien a la válvula del tanque.

6. Gire la tuerca de unión en el sentido de las agujas del reloj, apretándola hasta que no se mueva más. El regulador formará un sello en el dispositivo de seguridad de la válvula del tanque, lo que creará cierta resistencia. **Se deberá hacer girar la tuerca entre un cuarto y tres cuartos de vuelta adicionales, para completar la conexión. Apriétela a mano, no use herramientas.**

NOTA:

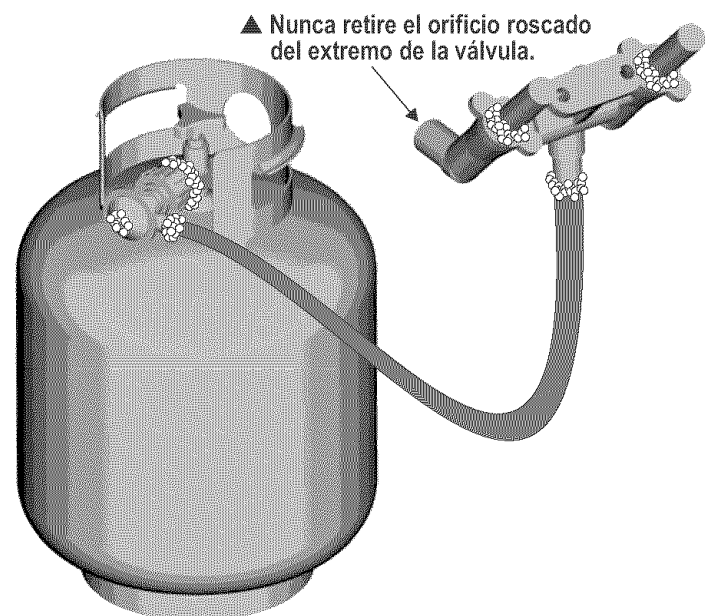
Si no puede completar la conexión, desconecte el regulador y repita los pasos 5 y 6. Si a pesar de haberlo hecho, todavía no puede completar la conexión, **¡no use este regulador!**

	PELIGRO	
<ul style="list-style-type: none"> • No introduzca ninguna herramienta ni ningún objeto extraño en la salida de la válvula ni en la válvula de seguridad. Puede dañarla y causar una fuga. Las fugas de gas propano pueden causar explosiones, incendios, lesiones graves o la muerte. • En caso de detectar una fuga en cualquier momento, DETÉNGASE y llame a los bomberos. • Si no puede detener una fuga de gas, ¡cierre de inmediato la válvula del tanque de gas y llame al distribuidor o a los bomberos! 		

	ADVERTENCIA	
<ul style="list-style-type: none"> • Nunca trate de conectar esta parrilla al sistema de gas propano independiente de un remolque de recreo o de una casa rodante. • No use la parrilla sin antes haber verificado que no tenga fugas. 		

Prueba para detectar fugas de las válvulas, las mangueras y el regulador

1. Cierre todas las perillas de control de la parrilla.
2. Cerciórese de que el regulador esté bien conectado al tanque de gas.
3. Abra por completo la válvula del tanque de gas, girando el dispositivo de seguridad volumétrica en sentido contrario a las agujas del reloj. Si escucha un sonido de ráfaga, cierre de inmediato el paso de gas. La conexión tiene una fuga considerable. Antes de continuar, **corrija el problema**. Llame a Sears al **1-800-4-MY-HOME®**, para pedir las piezas de repuesto.
4. Aplique solución jabonosa a las áreas con burbujas de la ilustración que aparece a continuación.

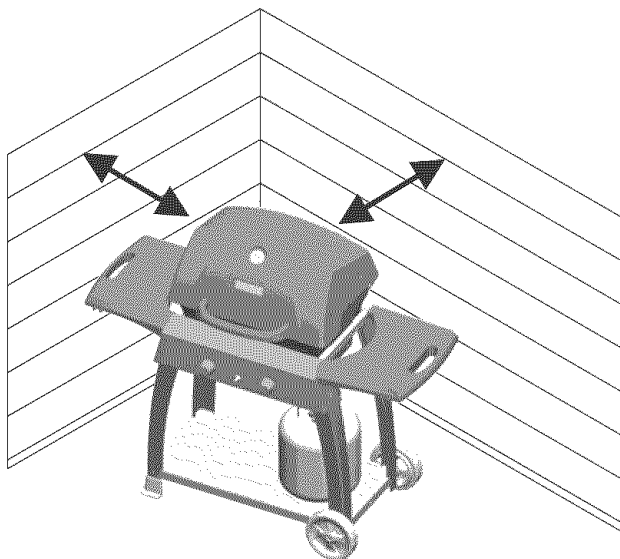


5. Si aparecen burbujas que aumentan de tamaño, existe una fuga. Cierre de inmediato la válvula del tanque de gas y vuelva a apretar las conexiones. **Si no puede eliminar las fugas, no intente repararlas.** Llame a Sears al **1-800-4-MY-HOME®**, para pedir las piezas de repuesto.
6. Después de hacer una prueba para detectar fugas, cierre siempre la válvula del tanque de gas, girando la manilla en el sentido de las agujas del reloj.

⚠️ ADVERTENCIA ⚠️

Para usar su parrilla en forma segura y para evitar lesiones graves:

- No deje que los niños usen la parrilla ni que jueguen cerca de la misma.
- Mantenga el área de la parrilla limpia y sin materiales combustibles.
- No obstruya los orificios del fondo ni de la parte posterior de la parrilla.
- Revise periódicamente las llamas del quemador.
- Use la parrilla sólo en lugares bien ventilados. **NUNCA** la use en lugares cerrados tales como cobertizos para coches, garajes, porches, patios techados o debajo de superficies de cualquier tipo.
- No use carbón ni briquetas de cerámica en una parrilla a gas. (Salvo que las briquetas vengan con su parrilla).
- **Use la parrilla al menos a 3 pies de distancia de cualquier pared o superficie.** Deje un espacio de 10 pies entre la parrilla y los objetos que puedan incendiarse o que sean fuentes de ignición, tal como las llamas piloto de calentadores de agua, aparatos eléctricos conectados, etc.



• Para personas que viven en apartamentos:

Pídale al administrador que le indique los requisitos y los códigos contra incendios que corresponden al uso de parrillas de gas propano en un edificio de apartamentos. Si se le permite usarla, hágalo al aire libre, en la planta baja, dejando un espacio libre de tres (3) pies entre la parrilla y las paredes o las barandillas. No la use en balcones o debajo de los mismos.

- **NUNCA** trate de encender el quemador con la tapa cerrada. Las acumulaciones de gas no encendido en las parrillas tapadas son peligrosas.
- Nunca use la parrilla si el tanque de gas no está en la posición correcta que se especifica en las instrucciones de armado.
- Siempre cierre la válvula del tanque de gas y retire la tuerca de unión antes de mover el tanque del sitio específico de uso.

Consejos de seguridad

- ▲ Verifique que la tuerca de unión esté bien apretada antes de abrir la válvula del tanque de gas.
- ▲ Cuando no use la parrilla, cierre todas las perillas de control y la válvula del tanque.
- ▲ Nunca mueva la parrilla cuando la esté usando o mientras esté caliente.
- ▲ Use utensilios para parrilla de mango largo y guantes para hornear, para evitar quemaduras y salpicaduras.
- ▲ El peso máximo que soportan en la repisas es de 10 lb.
- ▲ Debe colocar una lata vacía de sopa o un recipiente para la grasa en la presilla/bandeja para la grasa, y se debe vaciar cada vez después de usar la parrilla. No retire la lata de sopa/el recipiente para la grasa hasta que la parrilla se haya enfriado por completo.
- ▲ Si observa que de la parrilla caen gotas de grasa u otras sustancias calientes a la válvula, la manguera o el regulador, cierre inmediatamente el paso de gas. Establezca la causa, corrija el problema, limpie e inspeccione la válvula, la manguera y el regulador, antes de proseguir. Haga una prueba para detectar fugas.
- ▲ El regulador puede emitir un sonido zumbante o sibilante durante su uso. Esto no afectará la seguridad ni el uso de la parrilla.
- ▲ Si tiene un problema con la parrilla, lea la sección de Resolución de problemas.

⚠️ ADVERTENCIA ⚠️

Si el regulador se congela, apague inmediatamente la parrilla y cierre válvula del tanque de gas. Esto indica que existe un problema con el tanque y no debe ser usado en ningún producto. ¡Devuélvalo al distribuidor!

ADVERTENCIA

- No es posible apagar el fuego provocado por la grasa cerrando la tapa. Por razones de seguridad, las parrillas tienen aberturas de ventilación.
- No use agua para apagar los fuegos provocados por la grasa. Esto puede ocasionar lesiones. Si surge un fuego provocado por la grasa, cierre las perillas y el tanque de gas.
- No deje desatendida la parrilla cuando la esté precalentando o quemando los residuos de comida usando alta temperatura. Si no se ha limpiado periódicamente la parrilla, se puede presentar un fuego provocado por la grasa, que puede dañar al producto. Siga las instrucciones de Limpieza general de la parrilla y Limpieza de la unidad del quemador para evitar el incendio de la grasa.

Cómo usar el encendedor

- ▲ No se incline sobre la parrilla cuando la esté encendiendo.
1. **Abra la tapa.** Abra el paso de gas desde el tanque.
 2. Gire la perilla izquierda hasta la posición de precalentamiento 🔻.
 3. Para encender, oprima y mantenga oprimido el botón del encendedor. Verifique que el quemador se encienda y permanezca encendido.
 4. Si el quemador no se enciende, gire las perillas a la posición **APAGADO**, espere 5 minutos y trate de nuevo.
 5. Una vez que se haya encendido el quemador izquierdo, gire la perilla derecha hasta la posición de precalentamiento 🔻.
 6. Si el encendedor no funciona, espere 5 minutos, luego siga las instrucciones del encendido con fósforos.

Después del encendido: Gire las perillas hasta la graduación alta (HI), para calentar la parrilla. No caliente la parrilla con las perillas en la posición de precalentamiento 🔻. Las perillas y el asa se pueden poner demasiado calientes si se dejan en la posición de precalentamiento.

ADVERTENCIA

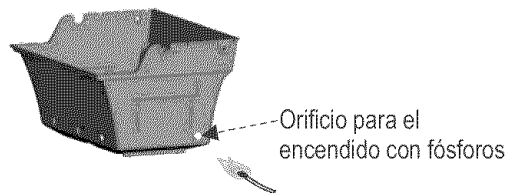
Si el quemador no se enciende, gire la(s) perilla(s) a la posición apagada (OFF), espere 5 minutos y repita el proceso de encendido. Si el quemador no se enciende con la válvula abierta, el gas continuará saliendo por el mismo y podrá encenderse accidentalmente, con el riesgo de ocasionar lesiones.

Encendido con fósforos

- ▲ No se incline sobre la parrilla cuando la esté encendiendo.

1. **Abra la tapa.** Abra el paso de gas desde el tanque.
2. Coloque un fósforo encendido en el orificio de encendido con fósforos desde la parte exterior del fondo de la parrilla, (como se ilustra).
3. Presione y gire la perilla derecha a la posición de precalentamiento 🔻. Verifique que el quemador se encienda y permanezca encendido.
4. Encienda el quemador izquierdo oprimiendo y girando la perilla izquierda a la posición de precalentamiento 🔻.

Después del encendido: Gire las perillas hasta la graduación alta (HI), para calentar la parrilla.



Encendido con el encendedor del quemador lateral

1. Cierre el paso de gas desde el tanque.
2. Presione y gire la perilla derecha a la graduación alta (HIGH).
3. Presione rápidamente el botón de encendido 🔴 (hasta 5 veces para encender el quemador). Verifique que el quemador se encienda y permanezca encendido.
4. Si el quemador no se enciende, gire la(s) parrilla(s) a la posición apaga (OFF), espere 5 minutos y trate de nuevo.

Encendido con fósforos

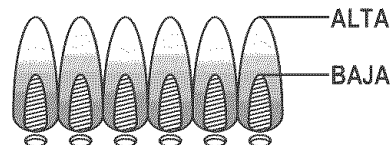
1. Cierre el paso de gas desde el tanque.
2. Sostenga un fósforo encendido junto a cualquiera de los orificios del quemador. Presione y gire la perilla de quemador lateral a la graduación alta (HIGH). Verifique que el quemador se encienda y permanezca encendido.

Antes de cocinar por primera vez

- Encienda los quemadores, verifique que estén encendidos, cierre la tapa y caliente la parrilla en la graduación alta (HI) durante 15 minutos. La vulcanización de la pintura y de las piezas producirá olores solamente la primera vez que encienda la parrilla.

Control de la llama del quemador

- Encienda el quemador y gire las perillas, de la graduación alta (HI) a la graduación baja (LO). Deberá ver una llama más reducida en la graduación baja que en la graduación alta. Controle siempre las llamas antes de cada uso. Si sólo se observan llamas bajas, lea lo referente a la Caída repentina de las llamas o llamas bajas en la sección de Resolución de problemas.



Cómo apagar la parrilla

- Gire todas las perillas de control a la posición de apagado (OFF). Cierre el tanque de gas, girando el dispositivo de seguridad volumétrica en el sentido de las agujas del reloj, hasta que se detenga.

Control del encendedor

- **Cierre el paso de gas desde el tanque.** Oprima y mantenga oprimido el botón del encendedor. Deberá oír un chasquido y ver chispas cada vez, entre la caja de recolección o entre el quemador y los electrodos. En caso de no oír chasquidos ni ver chispas, lea la sección de Resolución de problemas.

Control de la válvula

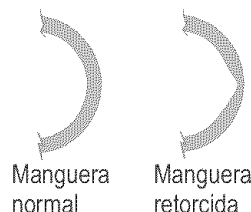
- **Importante: Cerciórese de haber cerrado el paso de gas desde el tanque antes de revisar las válvulas.** Las perillas se traban al llegar a la posición de **apagado (OFF)**. Para revisar las válvulas, primero presione las perillas y luego suéltelas; las perillas deben regresar a su posición original. De lo contrario, cambie la unidad de la válvula antes de usar la parrilla. Gire las perillas a la graduación **baja (LO)** y luego regréselas a la posición de **apagado (OFF)**. Las válvulas deben girar con un movimiento uniforme.

Limpieza general de la parrilla

- Para conservar la parte exterior de su parrilla luciendo como nueva, límpiela una vez al mes con jabón y agua tibia, o un producto de limpieza no abrasivo. Si no tiene una funda para la parrilla, limpie el polvo y la suciedad antes de encender la parrilla.
- El rociar las rejillas de cocción con aceite de cocinar, evitará que los alimentos se adhieran y hará más fácil la limpieza. Después de cocinar, limpie las rejillas con un cepillo con cerdas de alambre de latón de mango largo.
- Examine el fondo de la parrilla para detectar la acumulación de grasa y límpiela a menudo, especialmente después de cocinar carnes grasosas.
- No confunda la acumulación de grasa y de humo, de color marrón o negro, con la pintura. La parte interna de las parrillas a gas no vienen pintadas de fábrica (**y nunca se deben pintar**). Aplique una solución concentrada de detergente y de agua, o use un limpiador para parrillas con un cepillo de cerdas resistentes, cepillando la parte interna de la tapa de la parrilla y el fondo de la misma. Enjuáguelas y deje que se sequen completamente al aire. **No aplique limpiadores cáusticos para parrillas / limpiadores de hornos a las superficies pintadas.**
- **Rejillas de alambre enchapado:** Lave las rejillas y la barra en V con limpiador para parrillas concentrado o use una solución de jabón y agua. Séquelas bien y guárdelas bajo techo cuando no las use.
- **Piezas plásticas:** Lávelas con agua jabonosa tibia y séquelas con un paño.
 - ▲ No use citrisol, limpiadores abrasivos, desgrasadores ni limpiadores de parrilla concentrados para las piezas plásticas. Las mismas se pueden dañar y causar fallas.
- **Rejillas con superficie de porcelana:** Debido a su composición vítrea, la mayoría de los residuos se puede eliminar con un paño empapado en una solución de bicarbonato de soda y agua, o con un limpiador especialmente formulado. Use un polvo limpiador no abrasivo para las manchas difíciles de eliminar.

Control de la manguera

- Cada vez, antes de usar la parrilla, verifique que las mangueras no tengan cortes ni estén desgastadas ni retorcidas. Cambie las mangueras dañadas antes de usar la parrilla. Use únicamente la válvula / la manguera / el regulador especificados en la lista de piezas.



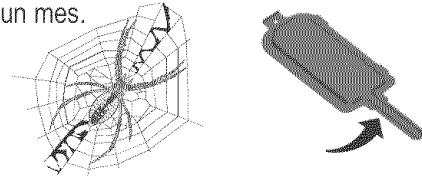
Cómo volver a pintar su parrilla

- Después de un período prolongado de uso y de exposición al tiempo, es posible que la pintura se deteriore o se manche. Aunque esto no afecta el rendimiento de la parrilla, sí desmejora su aspecto.
- Para reparar el acabado de la parrilla, cepille el exterior de la tapa y de la parte inferior de la parrilla con un cepillo de alambre y lijela superficialmente con lija de grano fino. El lijado permite que la nueva pintura se adhiera más fácilmente. Lave la tapa y parte inferior de la parrilla con jabón y agua para eliminar el polvo y la grasa. No use productos de limpieza para parrillas en la parte exterior de la parrilla. Frótela con vinagre. Vuelva a pintar la parte exterior con pintura resistente al calor. **No pinte el interior de la parrilla.**



PELIGRO NATURAL - ARAÑAS

HECHO: A veces las arañas y otros insectos pequeños se meten en los tubos conectados a los quemadores. Las arañas tejen sus telas, hacen nidos y ponen huevos. Esas telas o nidos pueden ser muy pequeños, pero son bastante resistentes y pueden bloquear el flujo de gas. Limpie el (los) quemador(es) antes de usar la parrilla, si la misma ha estado guardada, al inicio de la temporada de parrillas o si no se ha usado en un mes.



Telas de araña típicas dentro de los quemadores

Se ha colocado protectores contra arañas en las entradas de aire para atenuar el problema, ¡pero no lo evitan por completo! Las obstrucciones pueden causar fognazos (fuego en los tubos del quemador). A pesar de esto, la parrilla se puede encender, pero la obstrucción no permite el paso completo de gas al (a los) quemador(es).

SI LE LLEGA A OCURRIR LO SIGUIENTE:

1. Siente olor a gas.
2. El quemador o los quemadores no se encienden.
3. El quemador produce una llama pequeña, de color amarillo (que debería ser azul).
4. Sale fuego de alrededor o por detrás de la perilla de control.

¡DETÉNGASE!

Cierre inmediatamente el paso de gas desde el tanque.

▲ Después de que ocurran llamaradas en el tubo del quemador, debe inspeccionar la manguera y hacer una prueba de fugas para verificar que las piezas no se hayan dañado.

SOLUCIÓN:

Espera a que la parrilla se enfríe.

Siga las instrucciones de limpieza para el modelo de su parrilla. Limpie los quemadores frecuentemente. A las arañas y a los insectos no les importa que su parrilla sea nueva o que la haya acabado de limpiar. Tratando de eliminar las telarañas de los tubos de los quemadores, hemos comprobado que se puede limpiar bien los tubos con un limpiador de pipas de 12", o con agua de una manguera con boquilla. Para eliminar las telarañas, es necesario forzar el paso con un chorro de agua.

Cómo limpiar la unidad del quemador

Siga estas instrucciones para limpiar y/o para cambiar piezas de la unidad del quemador, o si tiene problemas para encender la parrilla.

1. **Cierre el paso de gas en las perillas de control y desde el tanque de gas.**
2. Quite las rejillas de cocción y la cubierta de vaporizador.
3. Quite las dos tuercas Pal, el tubo de arrastre y los quemadores.
4. Retire el recipiente y la bandeja para la grasa de la parte de abajo de la parrilla. Límpielos con jabón y agua.
5. Desconecte la pila y desconecte el cable del encendedor debajo de la consola.
6. Limpie la parte cerámica del electrodo con alcohol de frotar y un hisopo.
7. Limpie con agua y jabón el tubo de arrastre y la parte exterior de los quemadores. Tienda los quemadores boca abajo sobre una superficie plana e introduzca una manguera de jardín para forzar el paso del agua a través de los tubos. Verifique que salga agua por todos los orificios del quemador. Elimine las obstrucciones de los orificios tapados con un alambre delgado. **Agite el quemador para escurrir el agua** y examine los orificios. Algunos orificios pueden alargarse debido al desgaste normal y a la corrosión; si ocurre esto, cambie el quemador. Si apareciera alguna grieta entre un orificio y otro, o apareciera algún orificio más grande (que no sea un orificio normal del quemador), cambie el quemador.
8. Si va a guardar la parrilla, recubra ligeramente el quemador con aceite de freír. Envuélvalo con una cubierta protectora para impedir que entren insectos. Si no la va a guardar, siga los siguientes pasos.

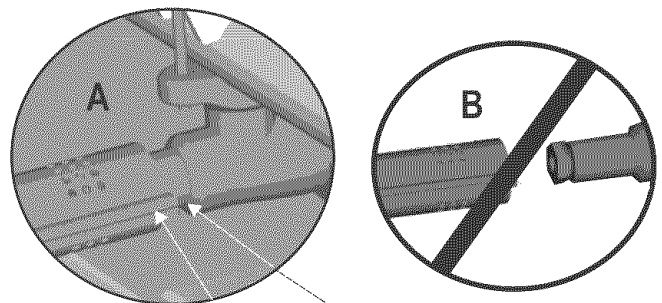
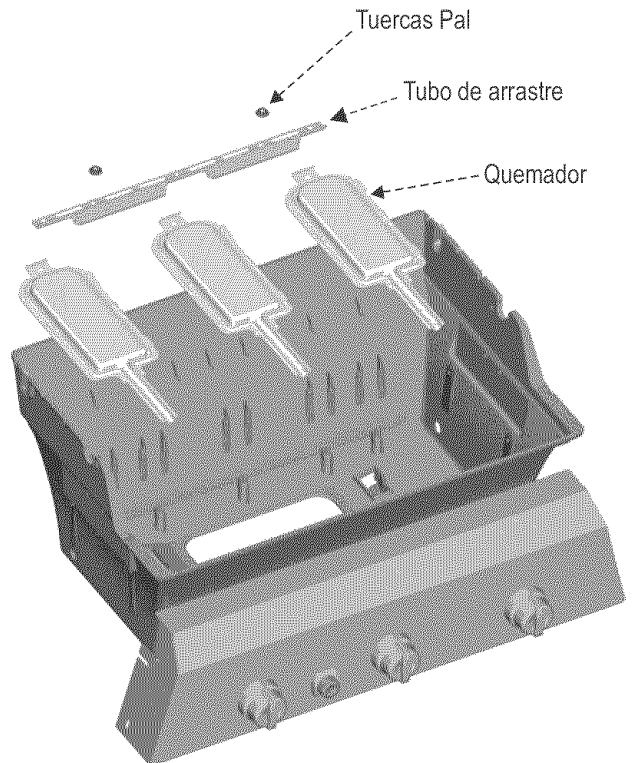
MUY IMPORTANTE: Los tubos de los quemadores se deben volver a conectar en las aberturas de la válvula, como se ilustra en (A). No los deje separados, como se ilustra en la figura B.

9. Instale el cable del encendedor en el electrodo. Cambie la pila.
10. Quite las rejillas de cocción y las cubiertas de los vaporizadores. Coloque una bandeja y un recipiente para la grasa limpios en el fondo de la parrilla.
11. Efectúe un control de la llama del quemador y una prueba para detectar fugas antes de volver a cocinar en la parrilla.

▲ No use carbón ni briquetas de cerámica en su parrilla.

Cómo limpiar la bandeja para la grasa

Su parrilla está equipada con una bandeja para la grasa, desmontable. Aunque drene grasa de la bandeja al recipiente que viene con la parrilla, es posible que se acumulen en el fondo partículas y residuos de comida que deben limpiarse después de usarla de 5 a 10 veces. Esto se puede hacer fácilmente sacando la bandeja para la grasa de la parte posterior de la unidad. Recuerde que debe volver a poner la bandeja empujándola hasta el fondo.



Tubo del quemador y válvula correctamente armados.

Cómo guardar su parrilla

- Limpie las rejillas de cocción.
- Guárdela en un lugar seco.
- Cuando el tanque de propano esté conectado a la parrilla, guárdela al aire libre, en un lugar bien ventilado y fuera del alcance de los niños.
- Cubra la parrilla si la guarda al aire libre.
- SOLO guarde la parrilla bajo techo si se ha cerrado el paso y desconectado el tanque de gas, retirándolo de la parrilla y guardándolo al aire libre.
- Siga las instrucciones sobre Cómo limpiar la unidad del quemador antes de encender la parrilla, cuando la misma haya estado guardada.

Seguridad con los alimentos

La seguridad con los alimentos es una parte muy importante del disfrute de su parrillada al aire libre. Siga estos cuatro pasos básicos para proteger a los alimentos contra las bacterias nocivas:

Limpieza: Lávese las manos, lave los utensilios y las superficies con agua jabonosa caliente, antes y después de manipular carnes y aves crudas.

Separación: Mantenga las carnes y las piezas de aves crudas separadas de los alimentos listos para comer, para evitar la contaminación cruzada. Use bandejas y utensilios limpios para servir los alimentos preparados.

Cocción: Cocine bien las carnes y las piezas de ave, para matar las bacterias. Use un termómetro para verificar que los alimentos alcancen la temperatura interna adecuada.

Refrigeración: Refrigere con prontitud los alimentos preparados y las sobras.

Comuníquese con la Línea de información sobre carnes y aves del Ministerio de Agricultura de EE UU para obtener mayor información, llamando al 1-800-535-4555. En Washington, D.C. por el 202-720-3333, entre las 10:00 h y las 16:00 h, hora normal del Este.

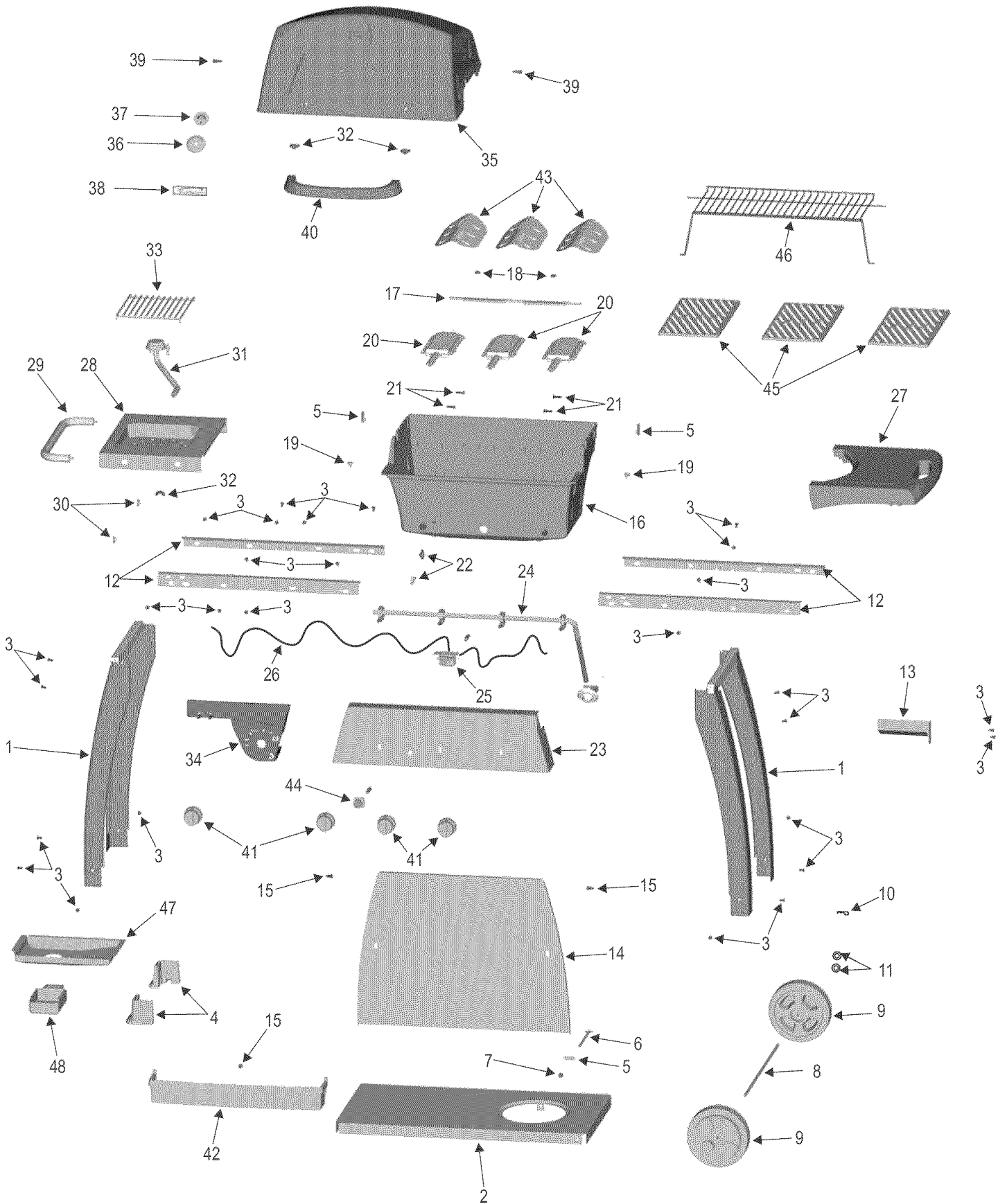
Cómo saber cuándo está bien cocida la carne

- El exterior de las carnes y las piezas de ave preparadas a la parrilla a menudo se dora rápidamente. Use un termómetro para carnes, para verificar que los alimentos alcancen una temperatura interna segura, y corte la carne para verificar visualmente si ya está lista.
- La temperatura de las aves enteras debe alcanzar 180° F; las pechugas, 170° F. El jugo de las mismas debe ser transparente y la carne no debe tener color rosado.
- La temperatura de las hamburguesas hechas con carne molida de res o de ave, debe alcanzar 160° F, y el color de su centro debe ser marrón, sin jugos de color rosado. La carne de res, de ternera, los filetes, los asados y las chuletas de cordero se pueden asar a 145° F. La temperatura de todos los cortes de cerdo debe alcanzar 160° F.
- NUNCA cocine parcialmente las piezas de carne o de aves, para terminar de cocinarlas después. Cocine los alimentos completamente, para destruir las bacterias nocivas.
- Cuando recaliente los alimentos de comida rápida o las carnes ya cocidas por completo, áselos a 165° F, o hasta que humeen.

LISTA DE PIEZAS – Modelo No. 415.162340

<u>Número</u>	<u>Cant.</u>	<u>Descripción</u>	<u>Pieza No.</u>	<u>Número</u>	<u>Cant.</u>	<u>Descripción</u>	<u>Pieza No.</u>
1	2	Unidad de patas	7000865	25	1	Módulo de la encendedor	7000944
2	1	Repisa inferior.	7000506	26	1	Cable largo del encendedor	7000894
3	28	Tornillo autorroscante No. 10 de 16 x 1/2"	7000999 STD611005	27	1	Repisa.	7000291
4	2	Extensor de la pata	7000320	28	1	Repisa del quemador lateral.	7000563
5	3	Tuerca en "U" de ¼ - 20	7000185	29	1	Asa del quemador lateral	7000059
6	1	Tornillo con orejetas ¼ - 20 x 6", para el tanque	7000355	30	2	Tuercas hexagonales para el asa del quemador lateral	7000271
7	1	Tuerca hexagonal con brida, de ¼ - 20.	7000394	31	1	Quemador lateral	7000036
8	1	Varilla de eje	7001149	32	3	Tuerca de mariposa No. 10 de 24	4080063
9	2	Rueda	7000262	33	1	Rejilla del quemador lateral	4156376
10	1	Mango	4080062	34	1	Máscara	7001345
11	2	Arandela plana	4080413	35	1	Pieza fundida superior	7000654
12	4	Barra	7000286	36	1	Marco del medidor de temperatura.	4157169
13	1	Protector contra el calor	7000388	37	1	Medidor de temperatura	7000361
14	1	Tablero delantero	7000640	38	1	Unidad de placa del logotipo.	4157167
15	3	Fijador a presión	4080112	39	2	Perno de tope	7000186
16	1	Parte inferior de la parrilla.	7000846	40	1	Asa	7000199
17	1	Tubo de arrastre	7000278	41	4	Perilla de control	7000312
18	2	Tuerca pal	7000132	42	1	Cesta para condimentos	7000242
19	2	Tope para piezas fundidas	7000184	43	3	Cubiertas de vaporizador	7000045
20	3	Quemadores	7000083	44	1	Paquete de botón	7000161
21	4	Tornillo autorroscante No. 10 de 1".	4080716	45	3	Parrilla para cocinar, 8"x15"	7000027
22	1	Electrodo c. tuerca de mariposa	7000378	46	1	Rejilla pivotante para calentar alimentos.	7000182
23	1	Tablero de control	7000642	47	1	Bandeja para grasa.	7000042
24	1	Unidad de válvula/manguera/ regulador.	7000336	48	1	Recipiente para la grasa	7000046

VISTA ESQUEMÁTICA DE PIEZAS Modelo No. 415.162340

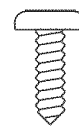


ARMADO Modelo No. 415.162340

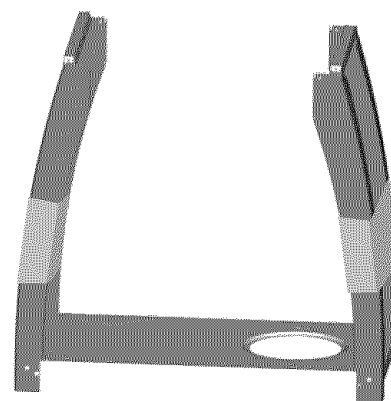
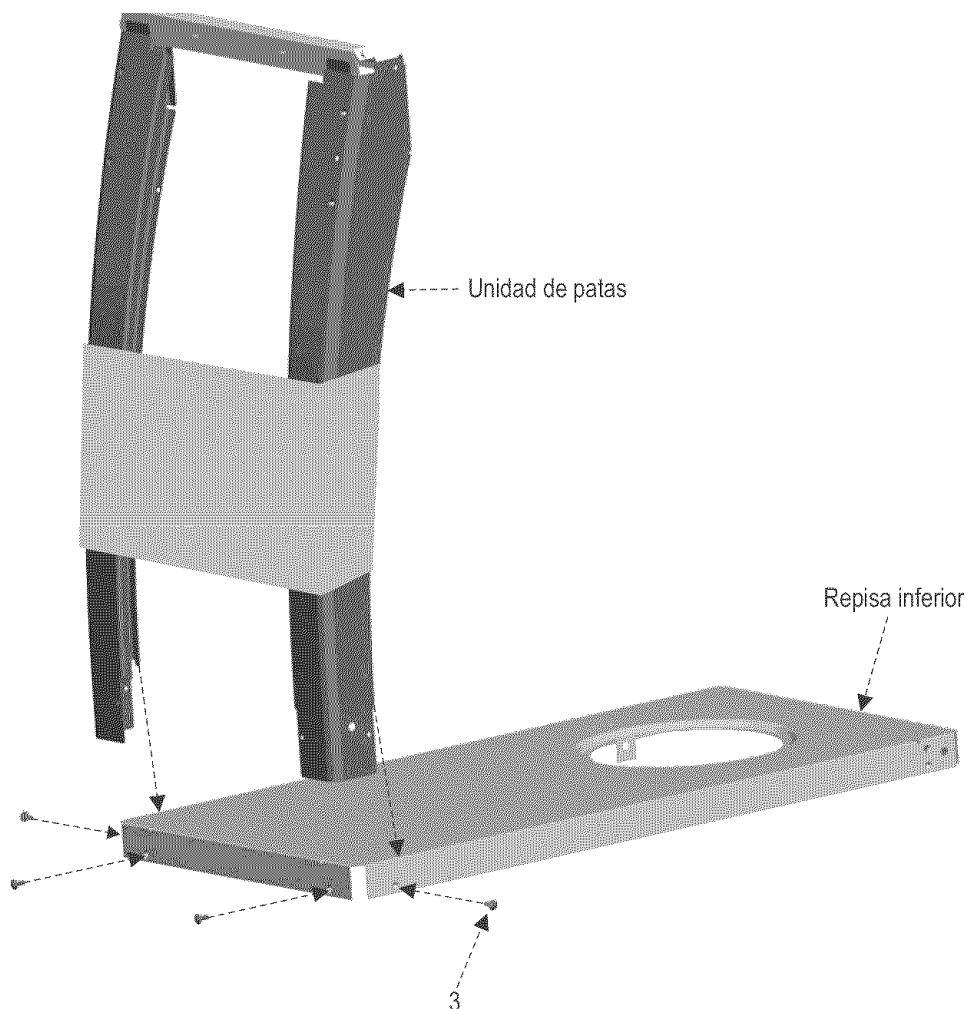
1

Armado del carrito

- ☐ Coloque la repisa inferior sobre una mesa o sobre el embalaje de cartón.
- ☐ Introduzca las lengüetas de la unidad de patas en la repisa inferior.
- ☐ Fije las unidades de las patas con dos tornillos (3) en cada pata.



3
Cant. 8

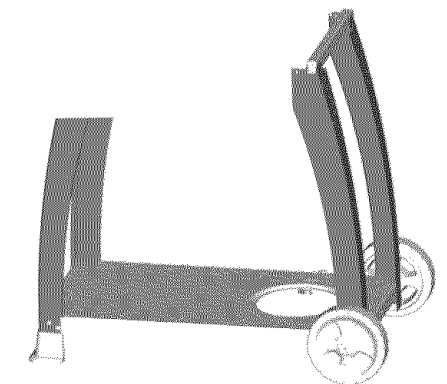
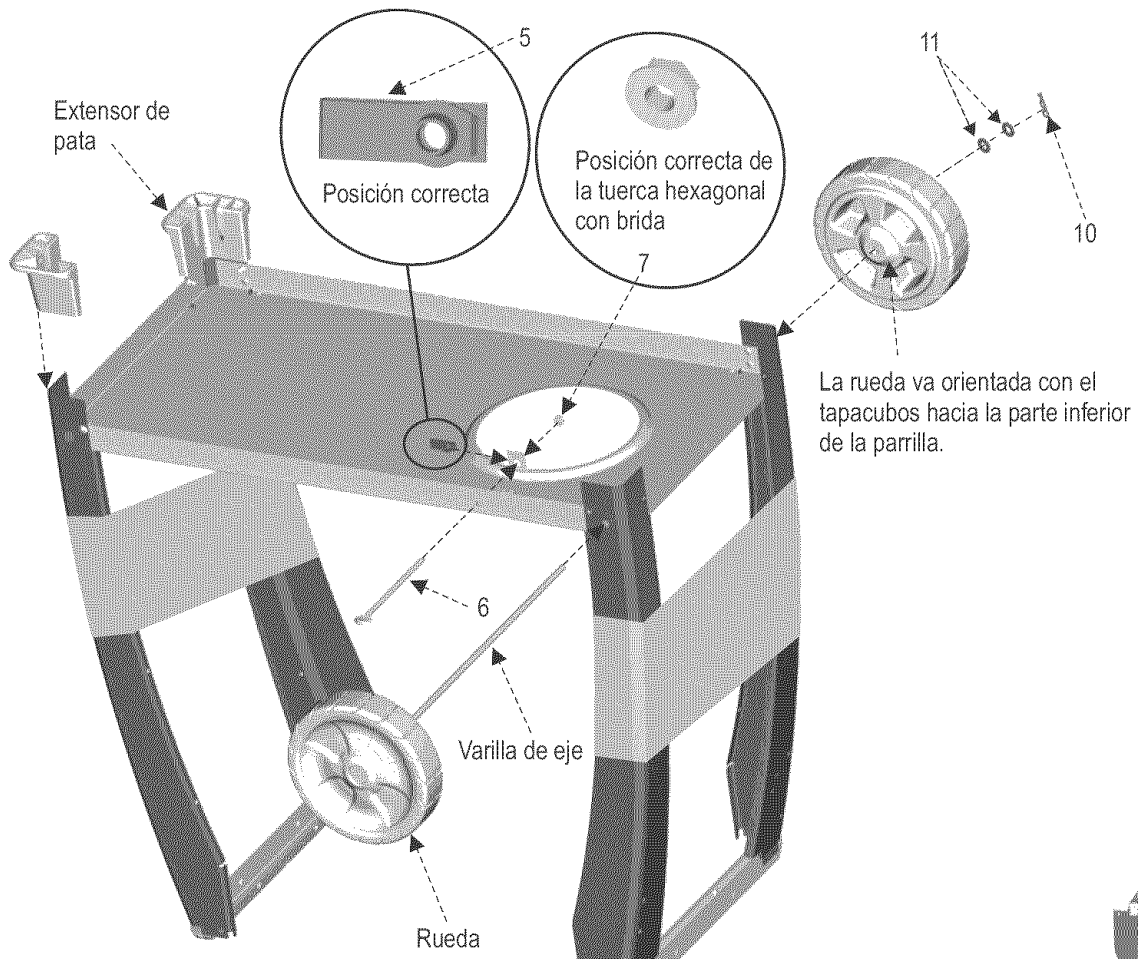
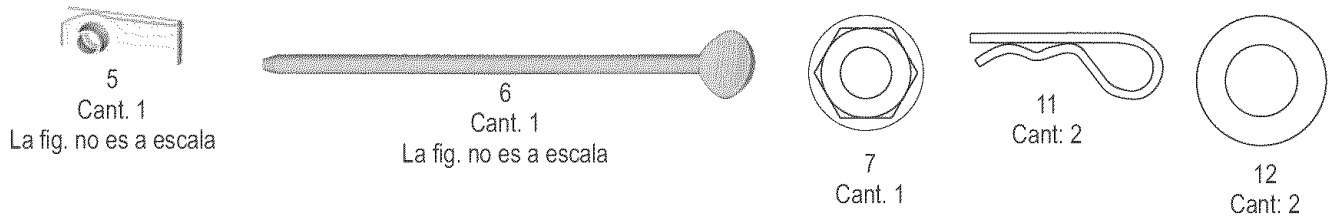


Patas correctamente armadas.

2

Extensores de patas, varillas de eje, ruedas y tornillo con orejetas del tanque

- Voltee el carrito boca abajo.
- Introduzca los extensores de patas. Verifique que el extensor haya entrado hasta el fondo en la pata.
- Coloque en la lengüeta una tuerca en U (5). Vea en la figura ampliada la posición correcta de la tuerca en U.
- Enrosque el tornillo (6) con orejetas para el tanque, a través del orificio y en la tuerca en U. Coloque la tuerca hexagonal (7) con brida en el extremo del tornillo con orejetas del tanque. No lo apriete más..
- Corra la rueda sobre la varilla del eje. Introduzca la varilla de eje/rueda en el orificio grande de la repisa inferior. Coloque la otra rueda una arandela (11) y un pasador de articulación (10).



Pare el carrito en posición vertical y quite las mangas de cartón

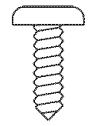
3

Armado de la barra

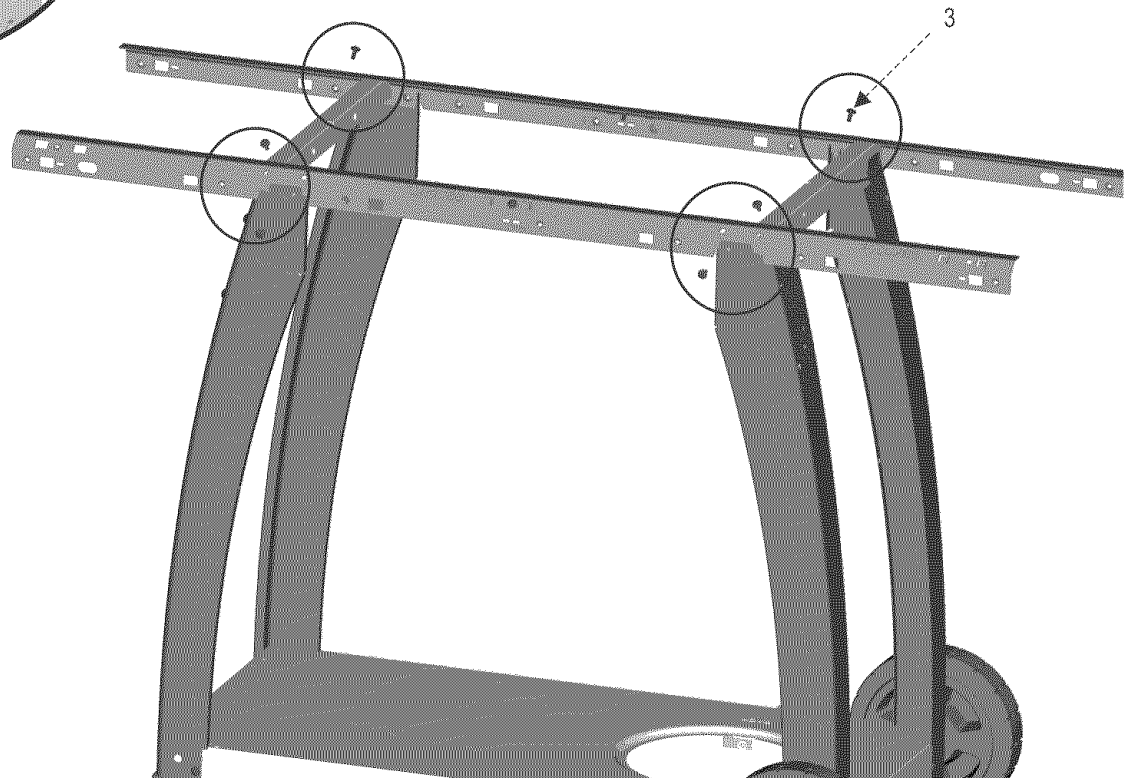
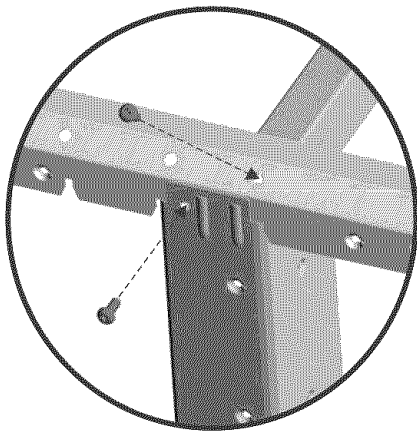
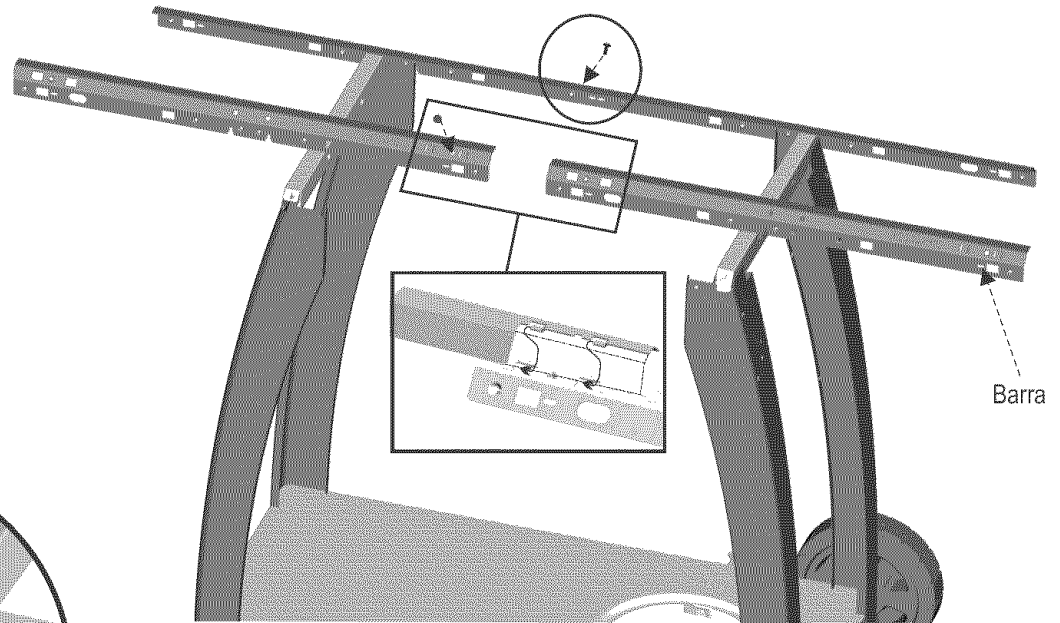
- ☐ Traslape las barras (todo idéntico) y meta las lengüetas en las ranuras. Empuje las barras para que se traben.
- ☐ Coloque un tornillo (3) en el centro de de cada barra.
- ☐ Instale la barra en las patas colocando dos tornillos en cada esquina.

SUGERENCIA:

Presione firmemente la barra hacia abajo, para meterla en las ranuras de la patas. Coloque primero el tornillo inferior.



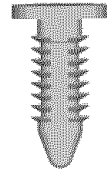
3
Cant. 10



4

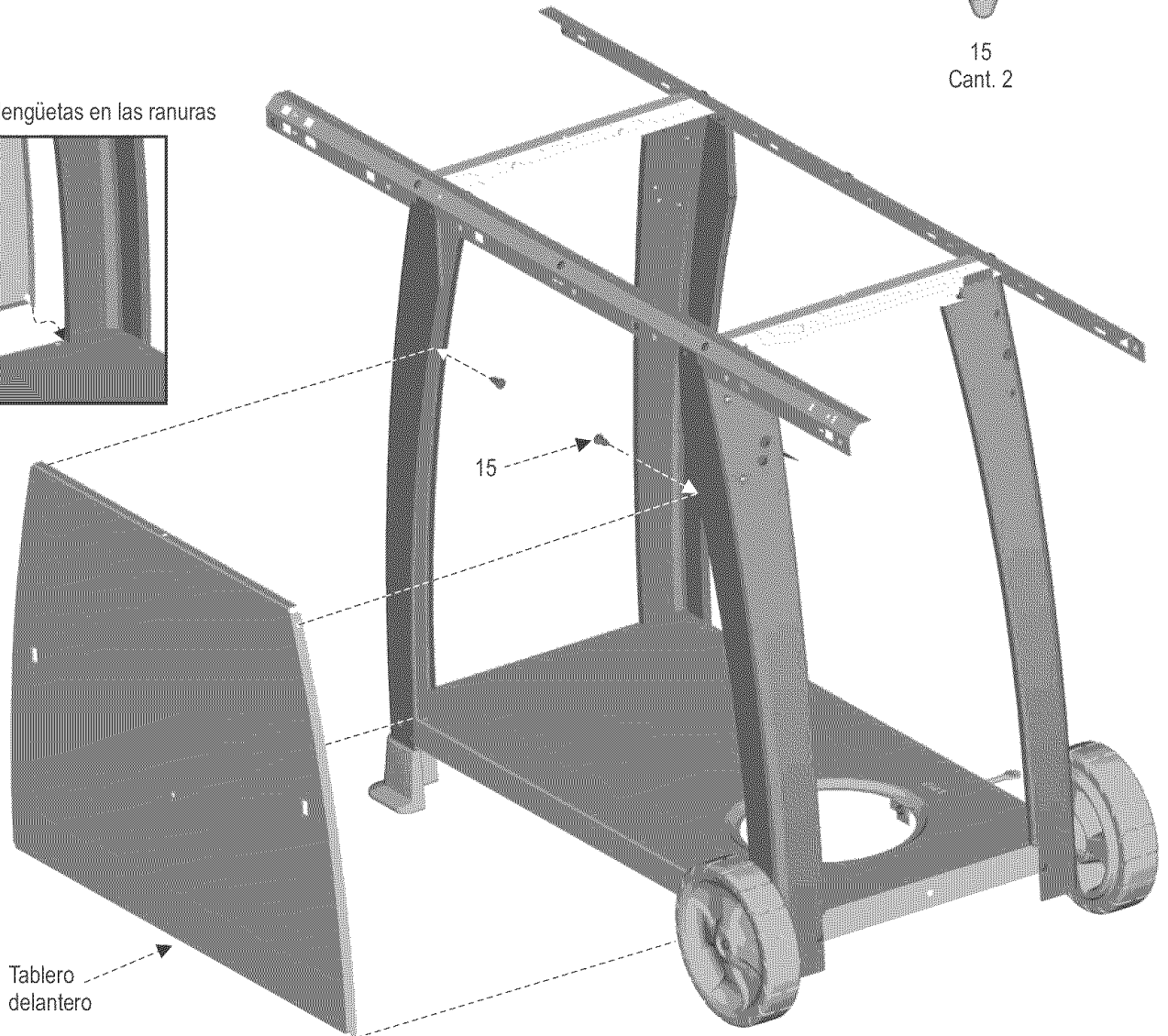
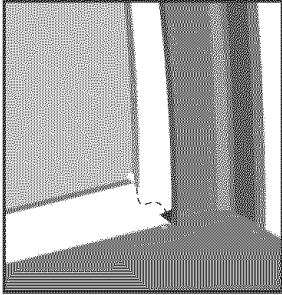
Tablero delantero

- Ubique el tablero delantero entre las patas delanteras. Introduzca las lengüetas del tablero delantero en las ranuras de la repisa inferior. Vea la ilustración siguiente.
- Con fijadores a presión, fije la parte superior del tablero a las patas (15).



15
Cant. 2

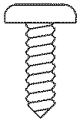
Introduzca las lengüetas en las ranuras



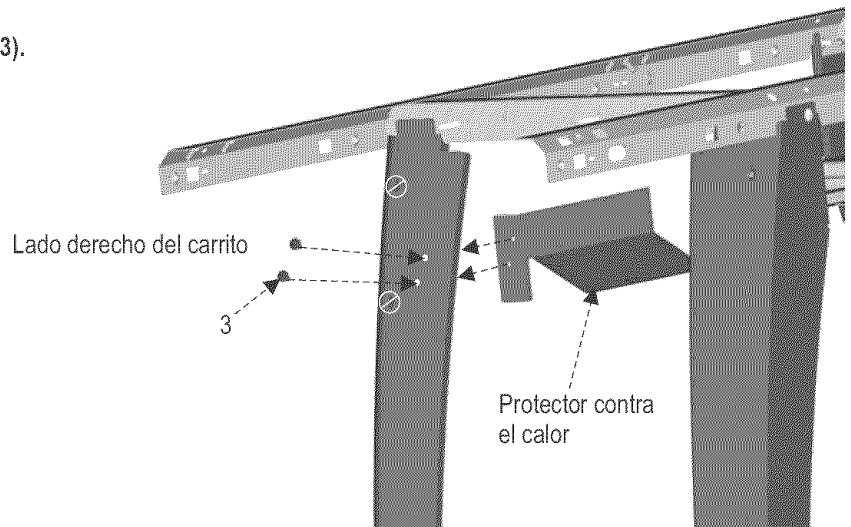
5

Protector contra el calor para la manguera

- Instale el protector contra el calor para la manguera en el lado derecho del carrito (3).



3
Cant. 2



6

Armado de parte la inferior de la parrilla

- ❑ Coloque el fondo de la parrilla en rededor y por debajo de las barras.
- ❑ Verifique que las pestañas que hay a cada lado de la pieza fundida inferior, encajen en las ranuras que hay en el asiento para la pieza fundida.
- ❑ Coloque cuatro tornillos (21) dentro de la parte inferior de la parrilla y en el asiento para la pieza fundida.
- ❑ Coloque la tuerca en U (5) en la hendidura de las partes izquierda y derecha del fondo de la parrilla, como se ilustra.



5

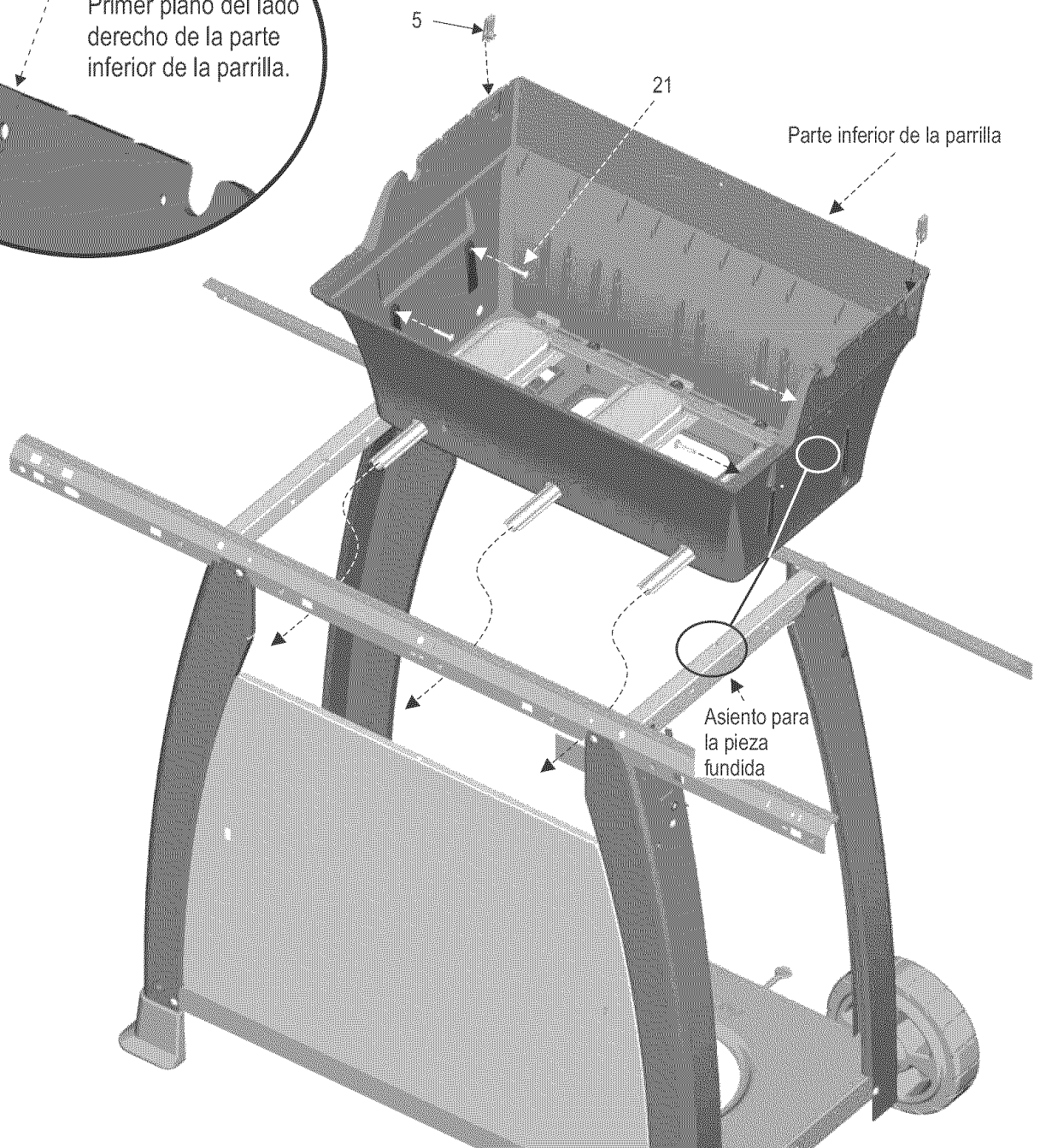
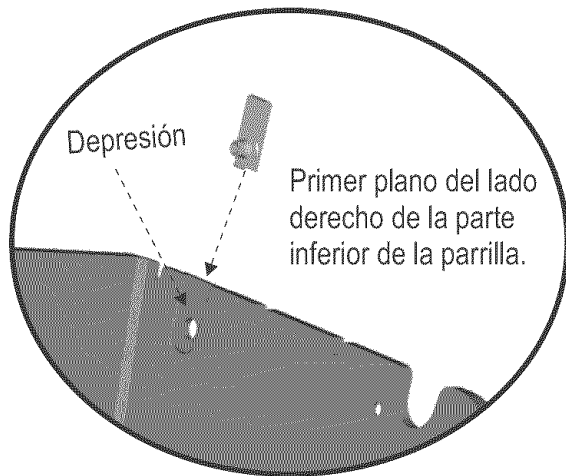
Cant: 2

La fig. No es a escala



21

Cant: 4

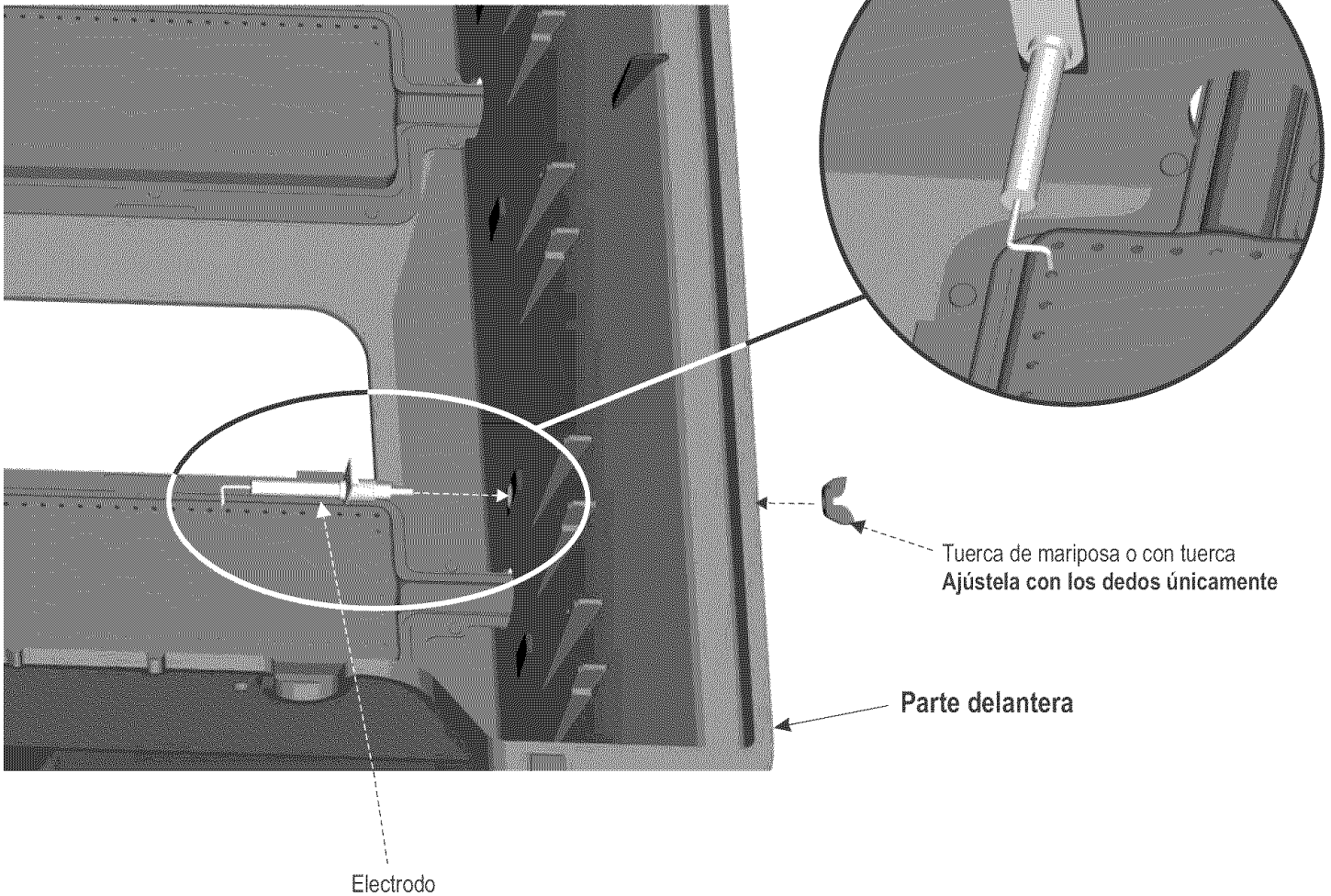


7

Electrodo con tuerca de mariposa o con tuerca

- En la pieza fundida inferior, introduzca el electrodo y fíjelo con una tuerca de mariposa o con una tuerca.

Vista del electrodo instalado y alineado con un orificio del quemador.



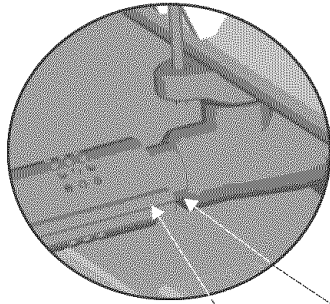
8

Unidad de la consola

- Sostenga el tablero de control cerca de la pieza fundida inferior. Alimente a unidad de válvula/manguera/regulador sobre el panel delantero de modo que cuelgue dentro del carro.
- Instale el cable corto del encendedor en el electrodo.
- Coloque las válvulas en los tubos de los quemadores (vea la figura ampliada de la conexión del quemador con la válvula). Gire hacia arriba el tablero de control y apoye la brida sobre la barra.
- Fije el tablero de control en las patas con dos tornillos (3) en el lado derecho y un tornillo en el orificio superior del lado izquierdo.

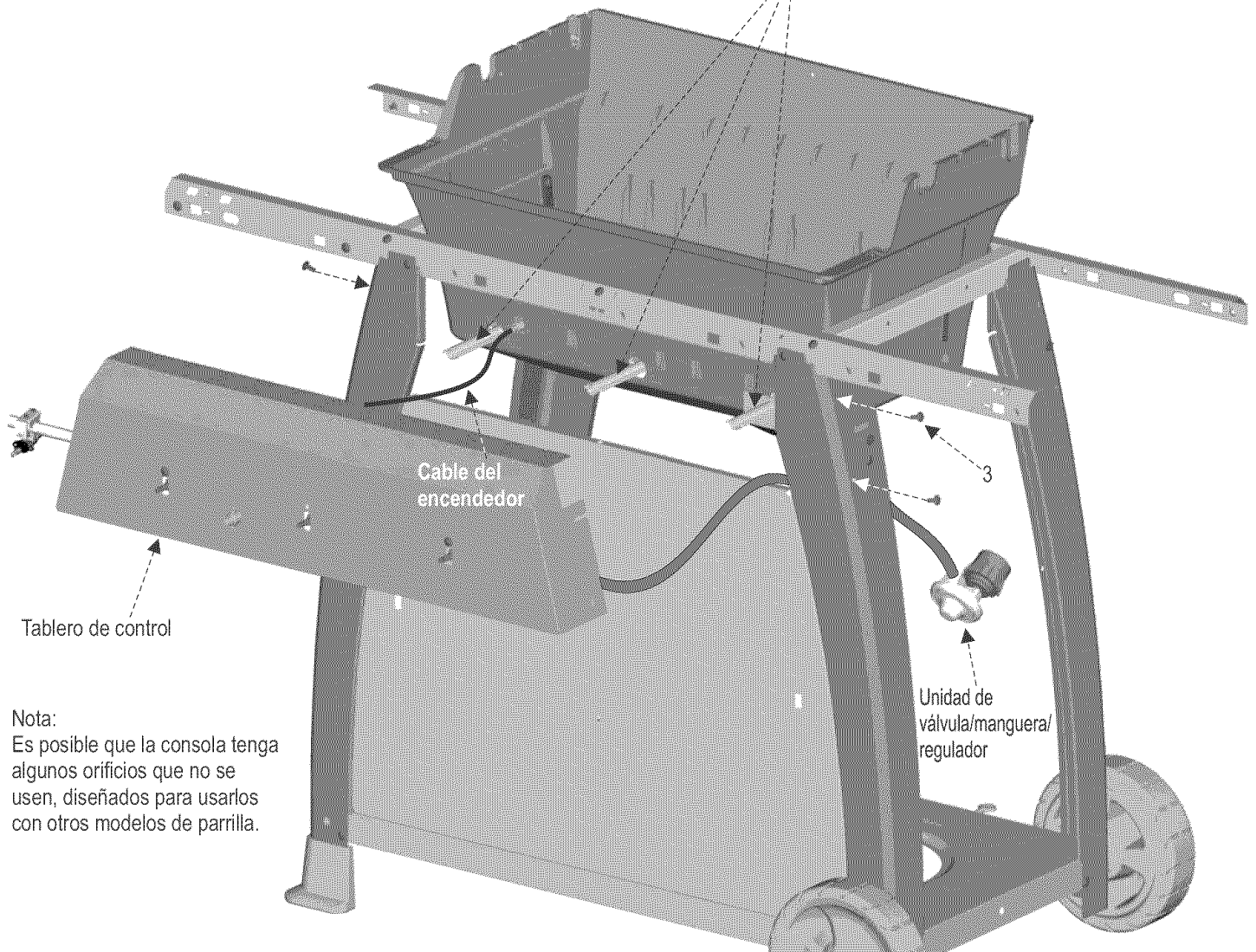


Cant. 3



Los tubos de los quemadores se deben volver a conectar en las aberturas de la válvula, como se ilustra.

Tubos de los quemadores



Tablero de control

Cable del encendedor

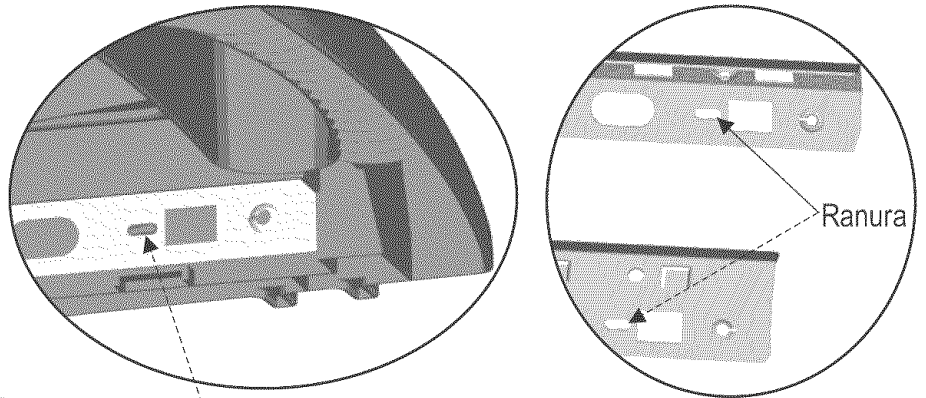
Unidad de válvula/manguera/regulador

Nota:
Es posible que la consola tenga algunos orificios que no se usen, diseñados para usarlos con otros modelos de parrilla.

9

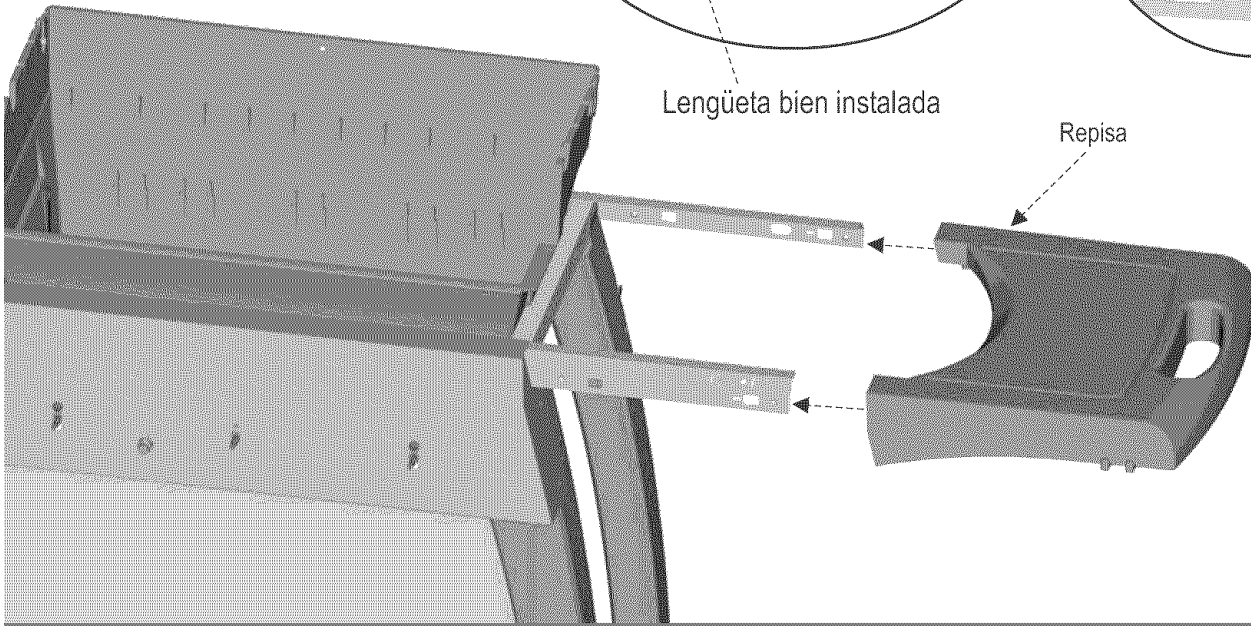
Repisa

- Deslice la repisa sobre las barras hasta que se trabe en su lugar.



Lengüeta bien instalada

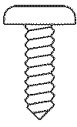
Repisa



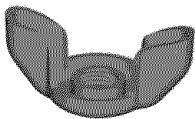
10

Unidad del quemador lateral

- Deslice la repisa del quemador lateral sobre las barras. Fijela con cuatro tornillos (3).
- Introduzca el quemador lateral en su repisa y en su válvula. Verifique que la válvula encaje en el tubo del quemador lateral. Coloque una tuerca de mariposa (32) en el quemador lateral.

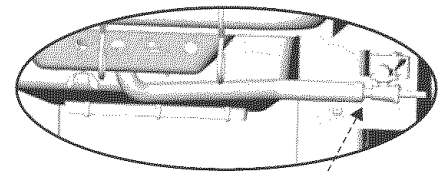
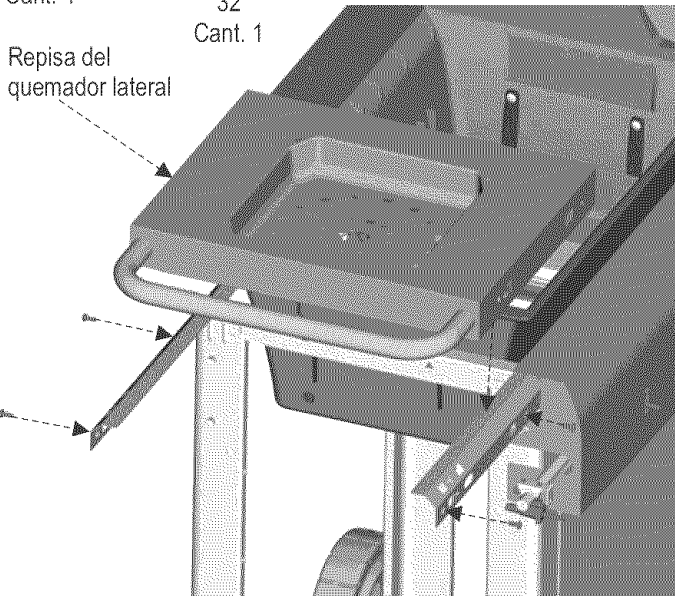


3
Cant. 4



32
Cant. 1

Repisa del quemador lateral

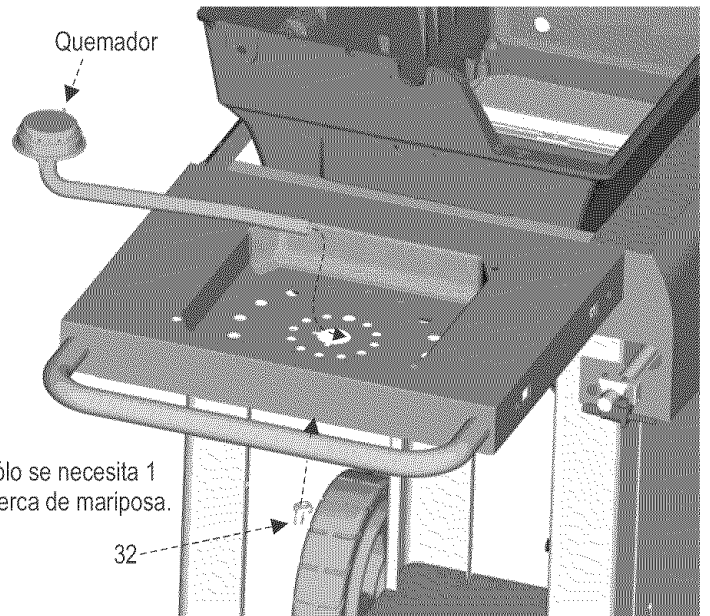


Tubo y válvula del quemador lateral correctamente instalados.

Quemador

Sólo se necesita 1 tuerca de mariposa.

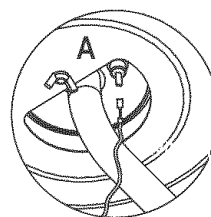
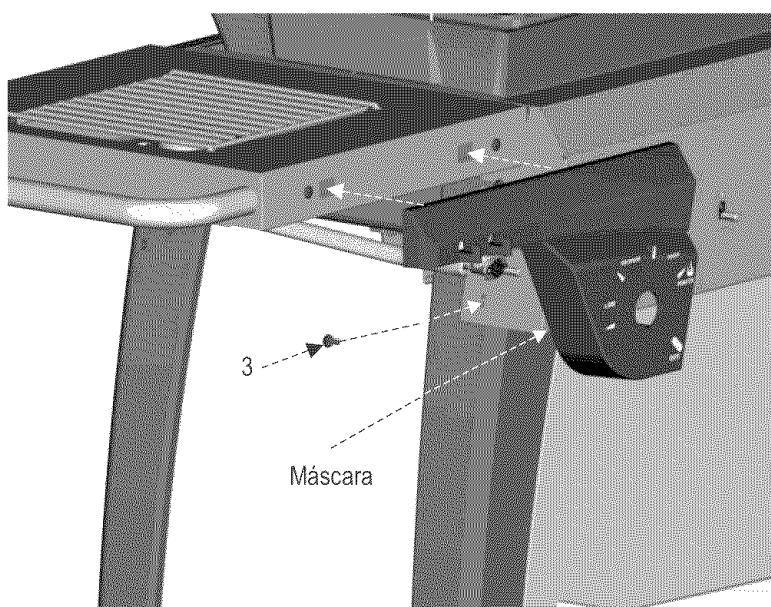
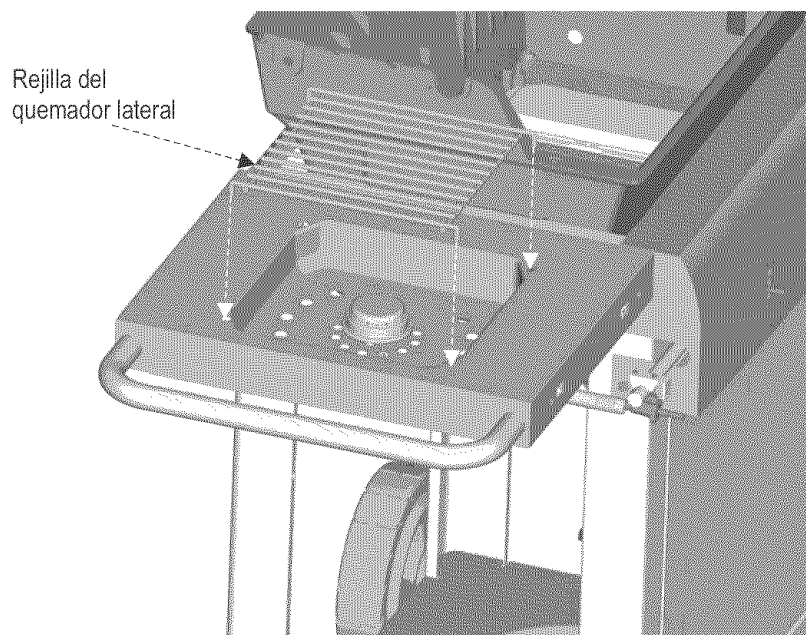
32



11

Rejilla y máscara del quemador lateral

- Coloque la rejilla del quemador lateral en su unidad.
- Introduzca la máscara en las dos ranuras de la unidad del quemador lateral. Sujétela colocando un tornillo (3) en el segundo orificio, a través del tablero de control y de la pata.
- Instale el alambre largo entre el módulo del encendedor electrónico y el electrodo, debajo del quemador lateral B.



ADVERTENCIA:
Si el electrodo del quemador lateral tiene un protector de plástico, retírelo antes de conectar el alambre larbo.

12

Pieza fundida superior, asa, unidad de placa del logotipo, medidor de temperatura, marco del medidor de temperatura, perillas de control, cesta para condimentos, cubiertas de vaporizador, pila y botón del encendedor

- Instale la pieza fundida superior con pernos de tope (39).
- Instale el asa con tuercas de mariposa (32).
- Introduzca la placa de logotipo en la tapa de la parrilla.
- Centre el marco sobre el orificio grande de la tapa de la parrilla.
- Introduzca el indicador de temperatura en el orificio del marco y de la tapa de la parrilla. Presione ligeramente el indicador para trabarlo en su lugar.

Nota: No coloque el marco en el indicador de temperatura para colocarlos luego en la tapa de la parrilla. Esto puede dañar el dispositivo de cierre ubicado en el indicador.

- Meta las perillas de control en los vástagos de las válvulas.
- Inserte las lengüetas de la cesta para condimentos en los orificios del tablero delantero. Fijela con un pasador empujador (15).
- Coloque las cubiertas de vaporizador directamente sobre los quemadores.
- Introduzca el lado del polo + de la pila en el módulo del encendedor. Oprima una vez el botón del encendedor para hacer que se trabe la junta.

Si la parte trasera del botón se parece a la letra "A". Presione el botón sobre el módulo de encendedor y gírelo 1/4 de vuelta para que se trabe en su sitio.

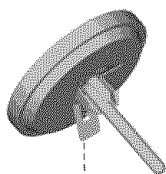
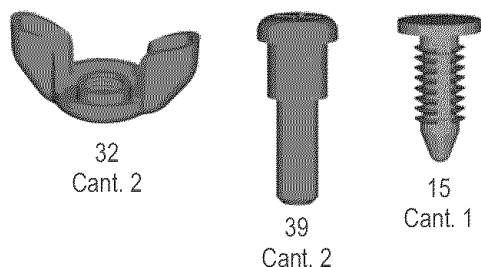
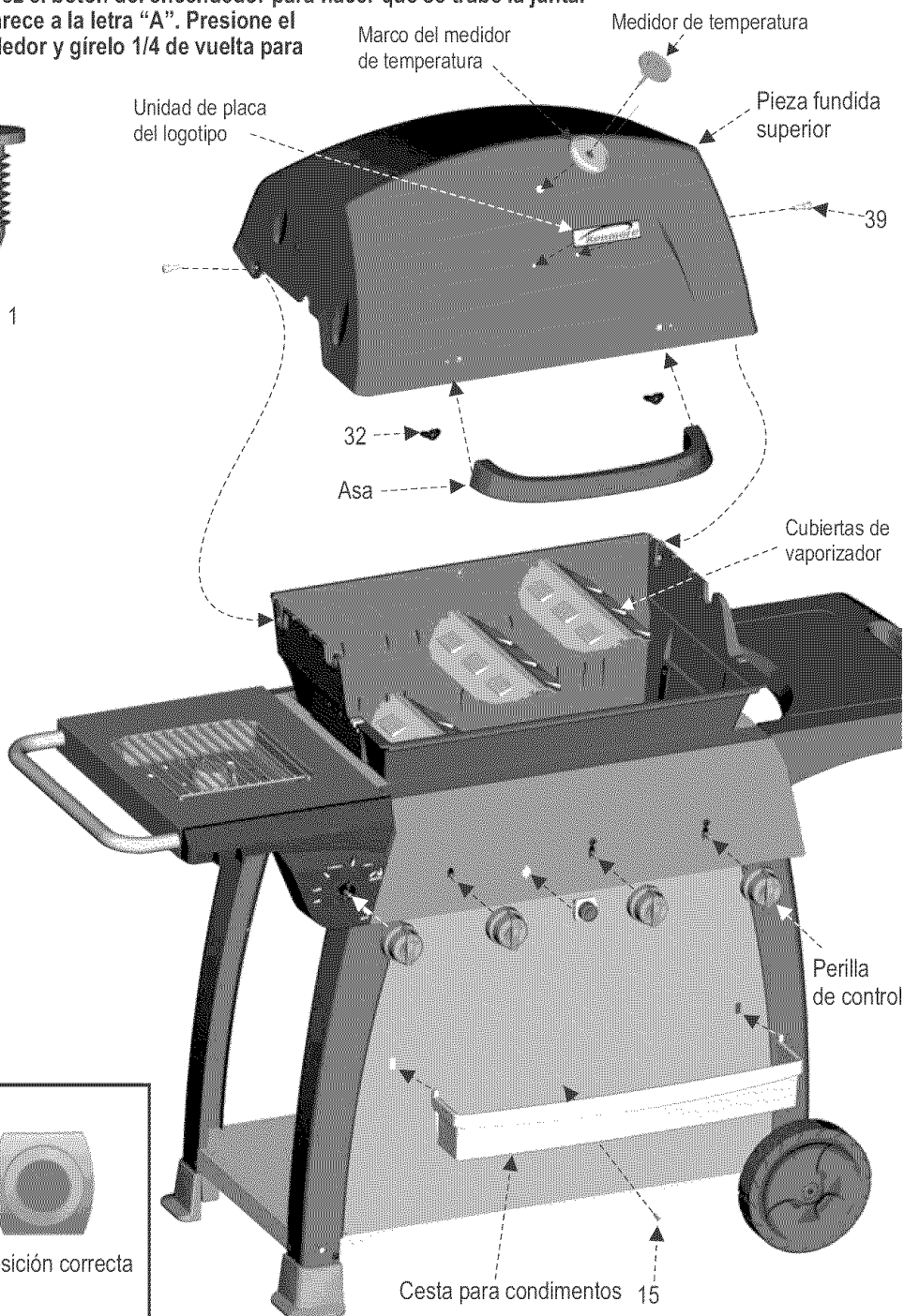
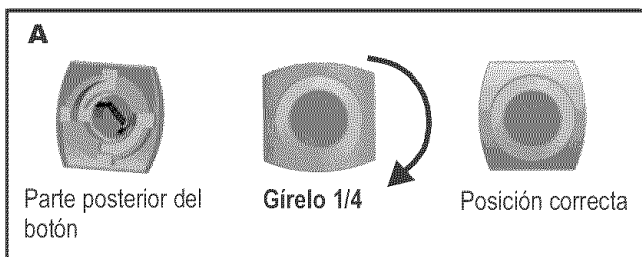
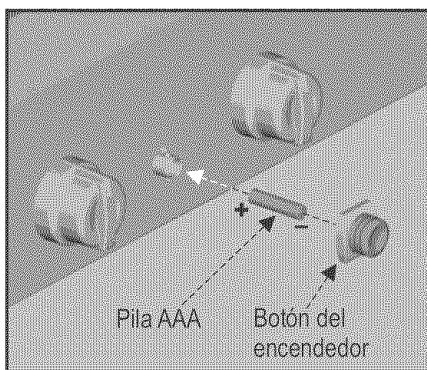


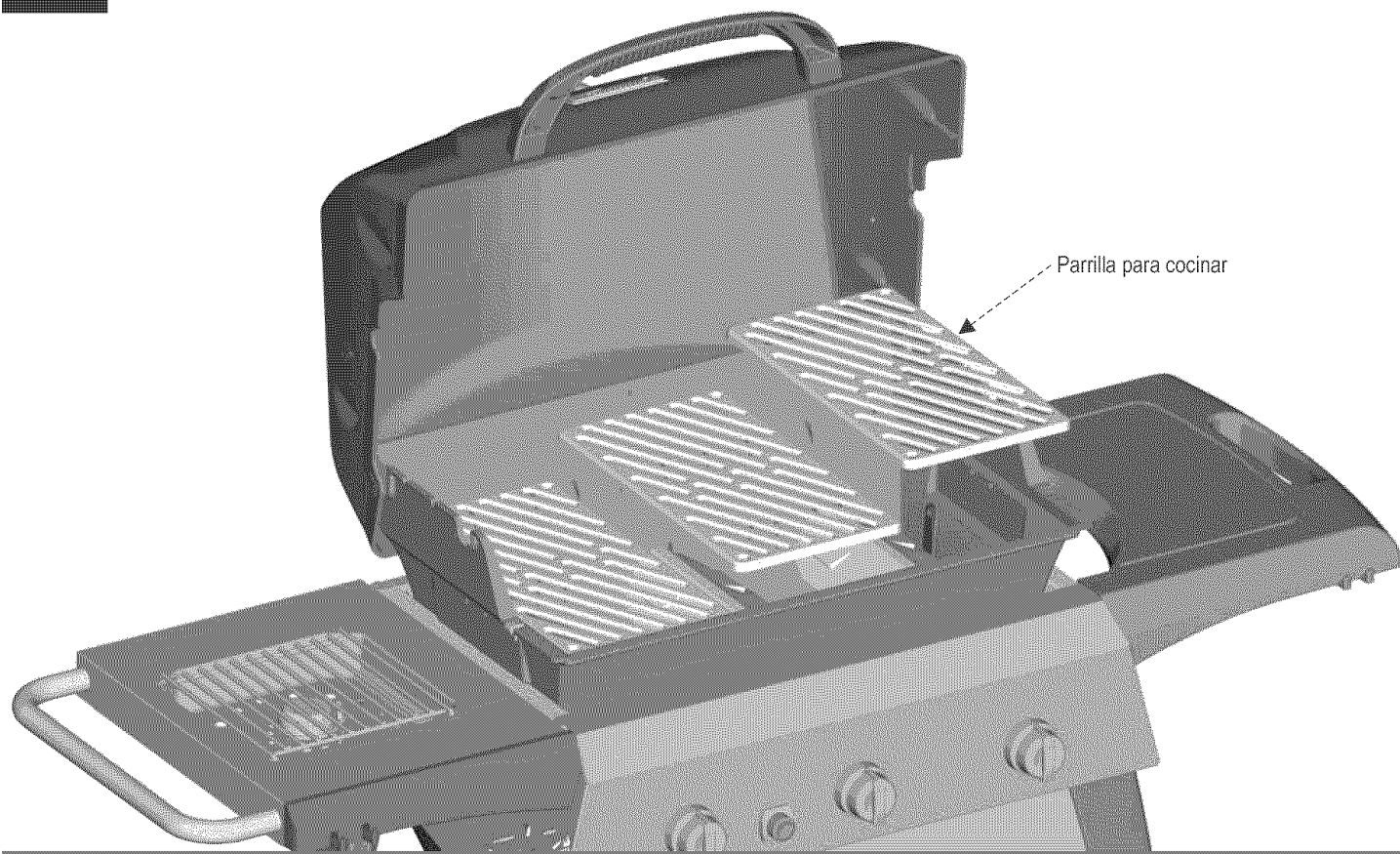
Ilustración de la parte posterior del indicador de temperatura, que muestra el dispositivo de cierre.



13

Parrilla para cocinar

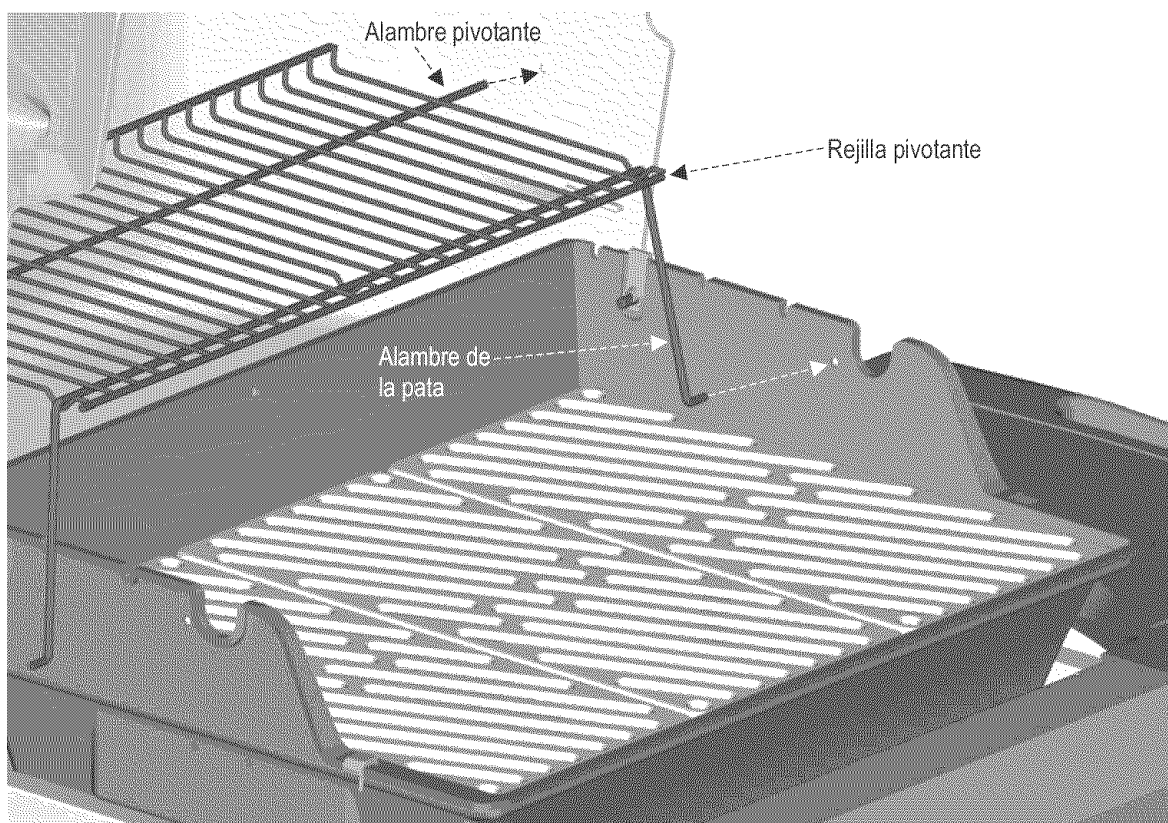
- Coloque las rejillas de cocción sobre los apoyos.



14

Rejilla pivotante

- Introduzca el alambre pivotante en los orificios de los lados de la tapa de la parrilla.
- Introduzca las patas de alambre en los orificios de los lados del fondo de la parrilla.

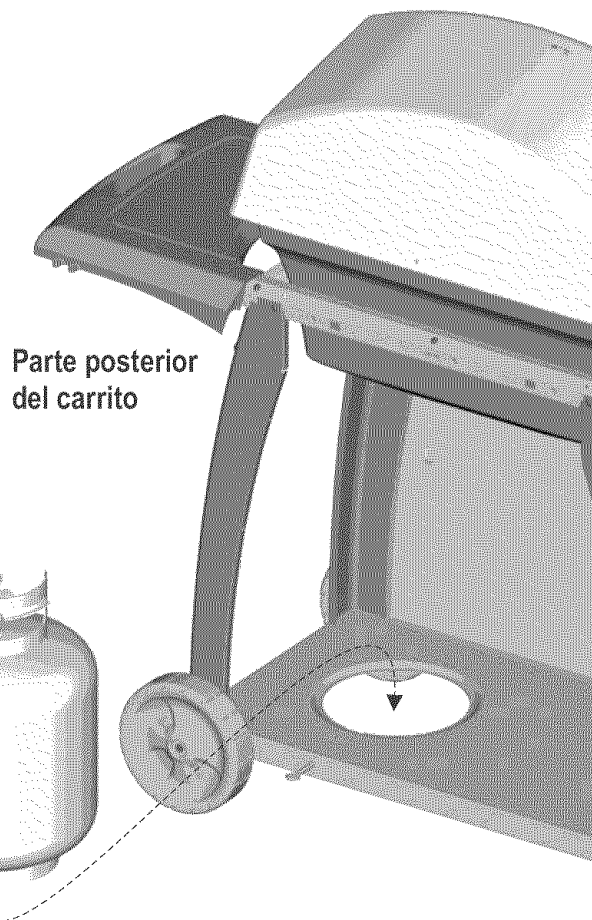


15

Tanque de gas

- El tanque de gas propano se vende por separado. Use únicamente tanques de gas propano equipados con un dispositivo de protección contra el llenado excesivo (u OPD por sus siglas en inglés). Llene el tanque y revíselo para detectar fugas, antes de instalarlo a la parrilla y al regulador.
- Coloque el tanque de gas en la repisa inferior, con la abertura del protector del mecanismo de conexión orientada hacia el tablero delantero, como se ilustra. Apriete con los dedos el tornillo con orejetas para sujetar firmemente el tanque en su lugar.

Lea las instrucciones para hacer correctamente la prueba para detectar fugas y para realizar el Control de la llama del quemador en la sección de Uso y de mantenimiento.



ADVERTENCIA



- Una vez que el tanque haya quedado instalado, la abertura del protector del mecanismo de conexión del mismo debe quedar orientada hacia la parte delantera del carrito.
- Si no se instala correctamente el tanque se puede dañar la manguera de gas durante el suministro, lo que puede ocasionar el riesgo de incendio.

16

Bandeja y recipiente para la grasa.

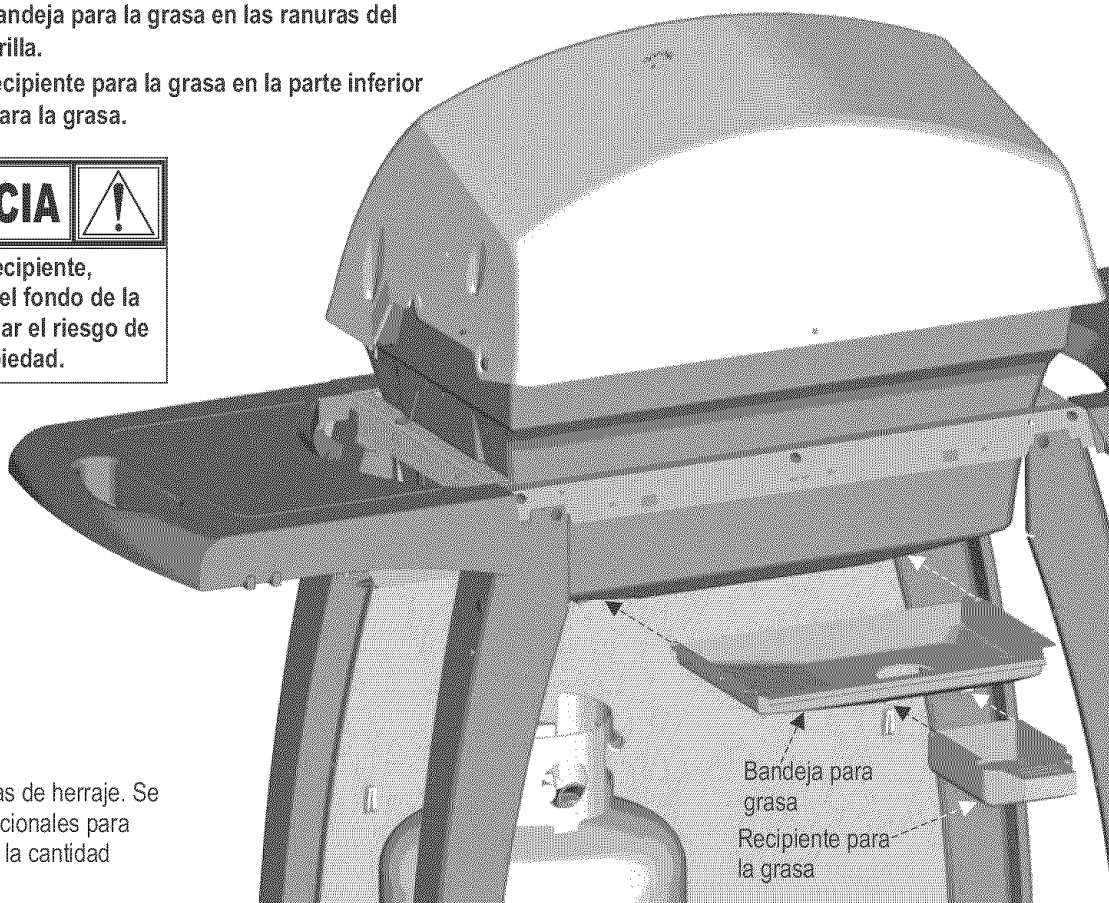
- Introduzca la bandeja para la grasa en las ranuras del fondo de la parrilla.
- Introduzca el recipiente para la grasa en la parte inferior de la bandeja para la grasa.



ADVERTENCIA



Si no instala la bandeja y el recipiente, goteará grasa caliente desde el fondo de la parrilla, lo que puede ocasionar el riesgo de incendio o de daños a la propiedad.



No se preocupe si le sobran piezas de herraje. Se han incluido piezas de herraje adicionales para garantizar que usted disponga de la cantidad necesaria.

Tabla de tiempos de cocción

Los tiempos de cocción y las temperaturas pueden variar según lo indicado en las recetas, las condiciones en que se cocina y el equipo que use para hacer la parrilla. Para lograr mejores resultados, tome en cuenta estos factores. Si usa el método de cocción indirecta (que consiste en encender únicamente un quemador y colocar la comida en el lado opuesto de la rejilla de cocción), debe dejar un mayor tiempo para que la comida se cocine.

Temperatura: Alta = 650° F / Mediana = 450° F / Baja = 300° F

Alimento	Graduación	Tiempo de cocción
Carne de res Hamburguesa de ½" de grosor	Media	Medianamente cocido: De 7 a 10 min./Bien cocido: De 10 a 15 min.
Filete de ½"	Media caliente	Poco cocido: De 3 a 6 min./Medianamente cocido: De 6 a 9 min./ Bien cocido: De 9 a 12 min.
Asado	Baja	Poco cocido: De 18 a 22 min. por lb./Medianamente cocido: 22-28 min. por lb. / Bien cocido: 28/32 min. por lb.
Cerdo Chuletas de ½"	Media	Bien cocido: De 15 a 20 min.
Costillas de 5 a 6 lb.	Baja media	Bien cocido: De 45-90 min.
Asados de 3 a 5 lb.	Baja media	Bien cocido: De 18 a 23 min. por lb.
Filete de jamón de ½"	Media caliente	De 12 a 15 min.
Jamón 5 lb. totalmente cocido	Baja media	20 min. por lb.
Cordero Chuletas de ½"	Media	De 6 a 12 min.
Aves Pollo de 2-1/2 a 3-1/2 lb.	Baja	De 1 h 15 min. a 1 h 20 min.
Pollo en mitades o en cuartos	Baja	De 40 a 60 min.
Pavo	Baja media	De 18 a 20 min. por lb.
Mariscos Filetes de 1" de grosor	Media caliente	Bien cocido: De 10 a 25 min.
Filetes de 6 a 8 oz.	Media caliente	De 8 a 12 min.
Camarones grandes o muy grandes	Baja media	De 8 a 12 min.
Carne de venado Filete 1" de grosor	Media	Poco cocido: De 8 a 10 min./Medianamente cocido: De 10 a 12 min.
Hamburguesas de ½"	Media	Poco cocido: De 8 a 10 min./Medianamente cocido: De 10 a 12 min.
Asados de 3 a 4 lb.	Baja media	Poco cocido: De 20 a 22 min. por lb./Medianamente cocido: 22-25 min. por lb.
Verduras Papas de hornear enteras	Baja	<i>Envuelva las verduras en papel aluminio</i> De 55 a 60 min.
Cebollas enteras	Baja	45 min.
Tomates cortados en dos	Media	De 30 a 40 min.
Maíz entero	Baja	De 35 a 45 min.
Hongos	Media	De 15 a 20 min.

EMERGENCIAS: Si no se puede detener una fuga de gas, o si ocurre un incendio debido a una fuga de gas, llame a los bomberos.

Emergencias	Causas probables	Medidas de prevención / solución
Fugas de gas de mangueras agrietadas, cortadas o quemadas.	<ul style="list-style-type: none"> Manguera dañada. 	<ul style="list-style-type: none"> Cierre el gas en el tanque. Cambie la válvula, la manguera o el regulador si están dañados. Lea las secciones tituladas Prueba para detectar fugas en un cilindro de gas y Cómo conectar el regulador al cilindro de gas.
Fugas de gas del tanque de gas.	<ul style="list-style-type: none"> Falla mecánica debido a la oxidación o al mal uso. 	<ul style="list-style-type: none"> Cierre la válvula del tanque de gas.
Fuga de gas de la válvula del tanque de gas.	<ul style="list-style-type: none"> Falla de la válvula del tanque debida al uso o a falla mecánica. 	<ul style="list-style-type: none"> Cierre la válvula del tanque del cilindro de gas. Devuelva el cilindro al proveedor de gas.
Fugas de gas entre tanque de gas y la conexión del regulador.	<ul style="list-style-type: none"> Instalación inadecuada, la conexión no está bien apretada, falla de la junta de caucho. 	<ul style="list-style-type: none"> Cierre la válvula del tanque de gas. Retire el regulador del tanque y examine visualmente la junta de caucho para detectar cualquier daño. Lea las secciones tituladas Prueba para detectar fugas en un tanque de gas y Cómo conectar el regulador al tanque de gas
Sale fuego a través del tablero de control.	<ul style="list-style-type: none"> Fuego en la sección del tubo del quemador debido a un bloqueo parcial. 	<ul style="list-style-type: none"> Cierre la válvula del tanque de gas (si puede hacerlo sin hacerse daño). Si no puede controlar el fuego con bicarbonato de soda o con un extintor, llame a los bomberos. Retire el quemador y examínelo para ver si tiene nidos de arañas o herrumbre. Límpielo con un cepillo para botellas.

Resolución de problemas

Problema	Causas probables	Medidas de prevención / solución
Hay continuamente fuego de la grasa o demasiadas llamas sobre la superficie de cocina	<p>PROBLEMAS DE GAS:</p> <ul style="list-style-type: none"> Demasiada grasa acumulada en la zona del quemador 	<ul style="list-style-type: none"> Cierre la válvula del tanque de gas. Deje abierta la tapa para permitir que las llamas se extingan. Una vez que se haya enfriado, limpie las partículas de comida y la acumulación de grasa en la parte interior de la zona de la cámara de combustión, taza / recipiente / bandeja para la grasa o toda otra superficie.
El quemador o los quemadores no se enciende(n) al usar el encendedor. <i>Continúa en la página siguiente.</i>	<ul style="list-style-type: none"> Está tratando de encender el quemador equivocado. El quemador no está conectado a la válvula de control. Obstrucción en el quemador. No hay flujo de gas. Hay vapor atrapado en la tuerca de unión al tanque de gas. La tuerca de unión y el regulador no están bien conectados. 	<ul style="list-style-type: none"> Lea las instrucciones en el tablero de control y en el manual de Uso y cuidado. Verifique que las válvulas estén ubicadas dentro del tubo de los quemadores con las presillas incorporadas (si las tiene). Verifique que el tubo de los quemadores no esté obstruido con telarañas u otras materias. Lea la sección de limpieza del manual de Uso y cuidado. Verifique que el tanque no esté vacío. Si el tanque de gas no está vacío, lea la sección referente a la Caída repentina del flujo de gas. CIERRE las perillas de control y desconecta la tuerca de unión del tanque. Vuelva a conectarla y trate de nuevo. Gire la tuerca de unión entre media vuelta y tres cuartos de vuelta adicionales, hasta que no la pueda girar más. Apriétela a mano, no use herramientas.
	<p>PROBLEMAS DE ELECTRICIDAD:</p> <ul style="list-style-type: none"> Electrodo agrietado o roto; salen "chispas de la grieta". La punta del electrodo no está en posición correcta. El cable o el electrodo están cubiertos con restos de comida. Los cables o el electrodo están cubiertos con restos de comida. 	<ul style="list-style-type: none"> Cambie el (los) electrodo(s). La punta del electrodo debe estar orientada hacia el orificio del quemador. La distancia debe ser de 1/8" a 3/16". Ajústela si es necesario. Limpie el cable y el electrodo con alcohol de frotar y un hisopo limpio. Vuelva a conectar los cables o cambie la unidad de electrodo/cable1



Resolución de problemas (continuación)

Problema	Causas probables	Medidas de prevención / solución
El quemador o los quemadores no se enciende(n) al usar el encendedor.	<p>PROBLEMAS DE ELECTRICIDAD:</p> <ul style="list-style-type: none"> • Los cables producen cortocircuitos (chispas) entre el encendedor y el electrodo. • Pila gastada. • El botón pulsador se pega en el fondo. • Hay chispas entre el encendedor y el electrodo. 	<ul style="list-style-type: none"> • Cambie el cable del encendedor. • Cámbiela por una pila alcalina nueva, de tamaño AAA. • Cambie el encendedor. • Examine el aislamiento de los cables y que las conexiones estén bien hechas. Cambie los cables si tienen roto el aislamiento.
El quemador o los quemadores no se encienden al usar fósforos.	<ul style="list-style-type: none"> • Lea "PROBLEMAS DE GAS:" en la página anterior. • Método inadecuado de encender con fósforos. 	<ul style="list-style-type: none"> • Lea la sección de limpieza del manual de Uso y cuidado.
Caída repentina del flujo de gas o llama baja.	<ul style="list-style-type: none"> • Se acabó el gas. • Se activó la válvula por sobrecarga de gas. • Hay vapor atrapado en la tuerca de unión al tanque de gas. 	<ul style="list-style-type: none"> • Verifique si el tanque de gas está cargado. • Cierre las perillas, espere 30 segundos y encienda la parrilla. Si las llamas siguen siendo bajas, cierre las perillas y la válvula del tanque de gas. Desconecte el regulador. Vuelva a conectar el regulador y haga una prueba para detectar fugas. Abra la válvula del tanque de gas, espere 30 segundos y, luego, encienda la parrilla. • Cierre las perillas y la válvula del tanque. Desconecte la tuerca de unión del tanque. Vuelva a conectarla y trate de nuevo.
Llamas que se apagan.	<ul style="list-style-type: none"> • Vientos fuertes. • Bajo flujo de gas propano. • Se activó la válvula por sobrecarga de gas. 	<ul style="list-style-type: none"> • Gire el frente de la parrilla de modo que quede de cara al viento, o aumente la graduación de las llamas. • Recargue el tanque de gas. • Lea lo referente a la Caída repentina del flujo de gas en la sección anterior.
Fogonazos.	<ul style="list-style-type: none"> • Acumulación de grasa. • Carne sumamente grasosa. • Temperatura de cocción muy elevada. 	<ul style="list-style-type: none"> • Limpie los quemadores y el interior de la parrilla / cámara de combustión. • Desgrase la carne antes de cocinarla a la parrilla. • Ajuste (baje) la temperatura según corresponda.
Fuegos persistentes, producidos por la grasa.	<ul style="list-style-type: none"> • Grasa atrapada por acumulación de restos de comida alrededor del sistema del quemador. 	<ul style="list-style-type: none"> • Cierre las perillas. Cierre el paso de gas desde el tanque. Deje la tapa en su sitio y deje que se apague el fuego. Después de que se enfríe la parrilla, retire y limpie todas las piezas.
Retorno de las llamas (fuego en el (los) tubo(s) del quemador).	<ul style="list-style-type: none"> • El quemador o los tubos del quemador están obstruidos. 	<ul style="list-style-type: none"> • Cierre las perillas. Limpie el quemador o los tubos del quemador. Lea la sección de limpieza del quemador del manual de Uso y cuidado.
Incapacidad para recargar el tanque de gas propano.	<ul style="list-style-type: none"> • Algunos vendedores de gas tienen boquillas de llenado viejas, con las roscas gastadas. 	<ul style="list-style-type: none"> • Las boquillas desgastadas no tienen suficiente "agarre" para conectarse a la válvula. Comuníquese con otro vendedor de gas.
Uno de los quemadores no enciende del (de los) otro(s) quemador(es).	<ul style="list-style-type: none"> • Acumulación de grasa o de partículas de comida en el (los) extremo(s) del (de los) tubo(s) de arrastre. 	<ul style="list-style-type: none"> • Limpie el (los) tubo(s) de arrastre con un cepillo de alambre.

Resolución de problemas Encendido electrónico

Problema (encendido)	Causas probables	Procedimiento de revisión	Medidas de prevención / solución
SECCIÓN I No aparecen chispas en ningún electrodo cuando se pulsa el botón de encendido; no se oye ningún sonido del módulo de chispas.	<ul style="list-style-type: none"> • La pila no está instalada adecuadamente. • Pila gastada. • La unidad del botón no está instalada adecuadamente. • Módulo de chispas defectuoso. 	<ul style="list-style-type: none"> • Revise la orientación de la pila. • ¿Es una pila usada? • Verifique que la unidad del botón esté bien conectada. El botón debe desplazarse hacia arriba y hacia abajo sin trabas. • Si no se generan chispas con la pila nueva y las conexiones del cable están bien hechas, el módulo está defectuoso. 	<ul style="list-style-type: none"> • Instale la pila (recuerde que los conectores "-" y "+" estén orientados correctamente, con el extremo "-" hacia arriba y el extremo "+" hacia abajo). • Cámbiela por una pila alcalina nueva, de tamaño AAA. • Quite la unidad de la tapa del botón y vuelva a instalarla; verifique que esté bien conectada. • Cambie la unidad del módulo de chispas.
SECCIÓN II No aparece ninguna chispa en los electrodos cuando se pulsa el interruptor de encendido; no se oye ningún sonido del módulo de chispas.	<ul style="list-style-type: none"> • Las conexiones del cable de salida no están conectadas. • La punta del electrodo no está en posición correcta. 	<ul style="list-style-type: none"> • ¿Están conectadas y bien hechas las conexiones de salida? • ¿Están las puntas del electrodo orientadas en la dirección correcta? ¿Hay demasiado espacio libre? 	<ul style="list-style-type: none"> • Retire y vuelva a hacer todas las conexiones de salida en el módulo y en los electrodos. Quemadores principales: <ul style="list-style-type: none"> • La punta del electrodo debe estar orientada hacia el orificio del quemador. La distancia debe ser de 1/8" a 3/16". Ajústela si es necesario.
SECCIÓN III Hay chispas pero no en todos los electrodos y/o no a plena potencia.	<ul style="list-style-type: none"> • Las conexiones del cable de salida no están conectadas. • El arco de la parrilla se forma lejos del (de los) quemador(es). • Pila débil. • Los electrodos están húmedos. • Los electrodos están agrietados o rotos, con "chispas en las grietas". 	<ul style="list-style-type: none"> • ¿Están conectadas y bien hechas las conexiones de salida? • Si es posible, observe la parrilla en un lugar oscuro. Haga funcionar el sistema de encendido y trate de detectar la formación del arco entre los cables de salida y el marco de la parrilla. • Se forman todas las chispas, pero son débiles o lentas. • ¿Se ha acumulado humedad en el electrodo y/o en los orificios de combustión? • Examine los electrodos para detectar grietas. 	<ul style="list-style-type: none"> • Retire y vuelva a conectar todas las conexiones de salida en el módulo y en los electrodos. • Si se observan chispas que no sean del (de los) quemador(es), es posible que esté dañado el aislamiento de los cables. Cambie los cables. • Cambie la pila por una pila alcalina nueva, de tamaño AAA. • Use una toalla de papel para secar la humedad. • Cambie los electrodos agrietados o rotos.

Espacio en blanco
de la página
intencionalmente

Espacio en blanco
de la página
intencionalmente

Get it fixed, at your home or ours!

Your Home

For repair—in **your home**—of **all** major brand appliances, lawn and garden equipment, or heating and cooling systems, **no matter who made it, no matter who sold it!**

For the replacement parts, accessories and owner's manuals that you need to do-it-yourself.

For Sears professional installation of home appliances and items like garage door openers and water heaters.

1-800-4-MY-HOME® (1-800-469-4663)

Call anytime, day or night (U.S.A. and Canada)

www.sears.com www.sears.ca

Our Home

For repair of carry-in items like vacuums, lawn equipment, and electronics, call or go on-line for the location of your nearest **Sears Parts & Repair Center.**

1-800-488-1222

Call anytime, day or night (U.S.A. only)

www.sears.com

To purchase a protection agreement (U.S.A.) or maintenance agreement (Canada) on a product serviced by Sears:

1-800-827-6655 (U.S.A.)

1-800-361-6665 (Canada)

Para pedir servicio de reparación a domicilio, y para ordenar piezas:

1-888-SU-HOGARSM

(1-888-784-6427)

Au Canada pour service en français:

1-800-LE-FOYER^{MC}

(1-800-533-6937)

www.sears.ca

The Sears logo is centered at the bottom of the advertisement. It features the word "Sears" in a bold, serif font with a horizontal line underneath it.

® Registered Trademark / TM Trademark / SM Service Mark of Sears, Roebuck and Co.

® Marca Registrada / TM Marca de Fábrica / SM Marca de Servicio de Sears, Roebuck and Co.

^{MC} Marque de commerce / ^{MD} Marque déposée de Sears, Roebuck and Co.

© Sears, Roebuck and Co.